

GR-120N-1-00111 12T,X,WINCH(W/O FREE-FALL),JIB(PT)

PB1000480-02 HYDRAULIC PRESSURE GENERATING SYSTEM

PC1000394-01 OUTRIGGER SYSTEM

PD1000427-02 SWING SYSTEM

PE1000430-01 ELEVATING SYSTEM

PF1000381-01 WINCH SYSTEM

PG1000380-02 TELESCOPING SYSTEM

PH1000386-01 SAFETY DEVICES

PK1000442-01 FRAME

PL1000453-01 CONTROL DEVICES

PM1000032-01 LUBRICATION DEVICES

PN1000330-01 ELECTRIC EQUIPMENT

PO1000144-01 INDICATION PLATES

PQ1000138-01 DRIVING POWER GENERATING SYSTEM

PR1000081-02 DRIVING POWER TRANSMISSION SYSTEM

PS1000107-01 STEERING SYSTEM

PT1000089-01 BRAKE SYSTEM

PU1000082-01 SUSPENSION

PW1000097-02 ACCESSORIES & TOOLS

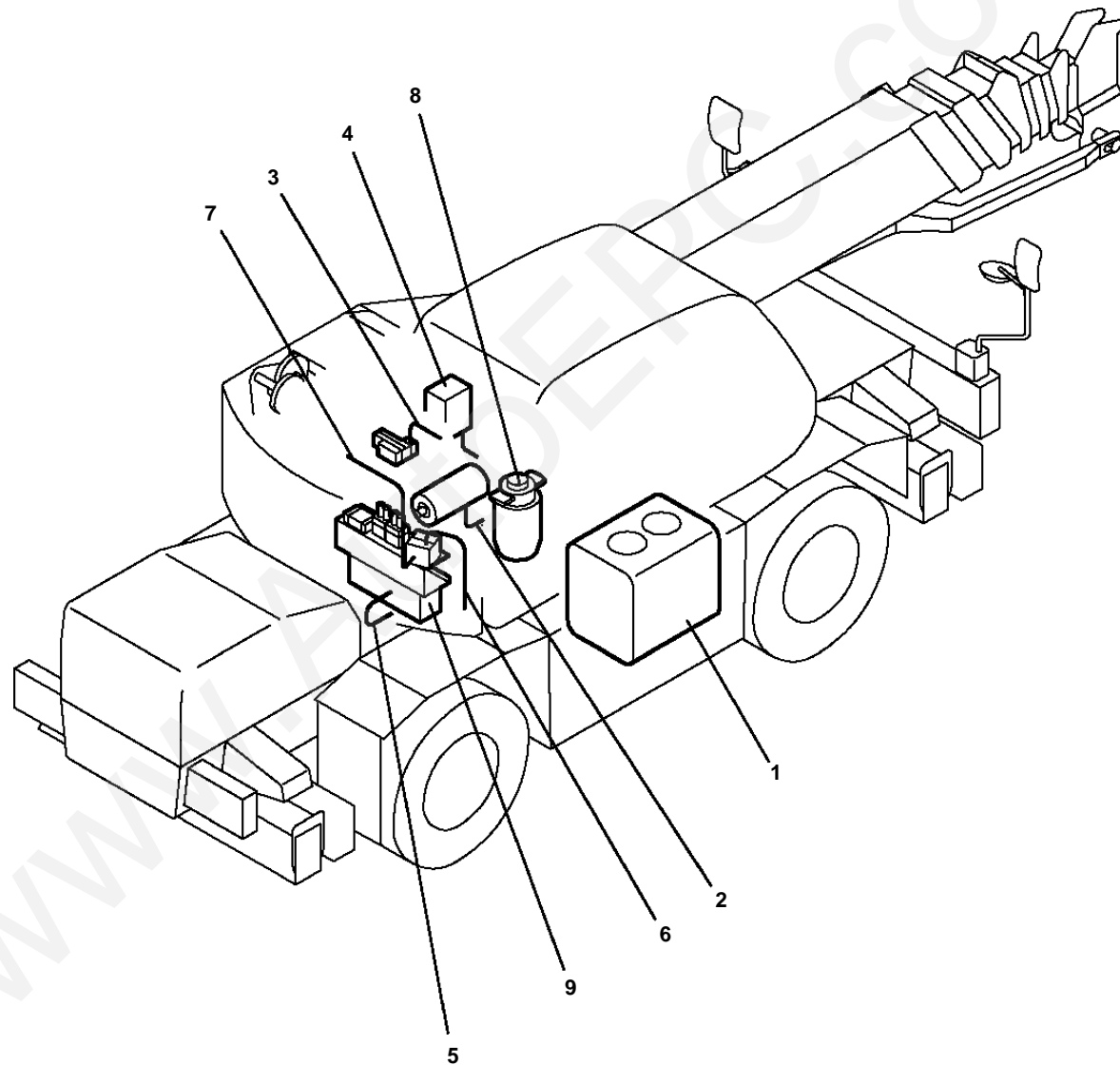
PX1000468-04 MOUNTING PARTS

PY1000396-09 OPTIONS

ASSEMBLY

www.AutoEPC.com

**GR-120N-1-00111 12T,X,WINCH(W/O FREE-FALL),JIB(PT)
PB1000480-02 HYDRAULIC PRESSURE GENERATING SYSTEM**

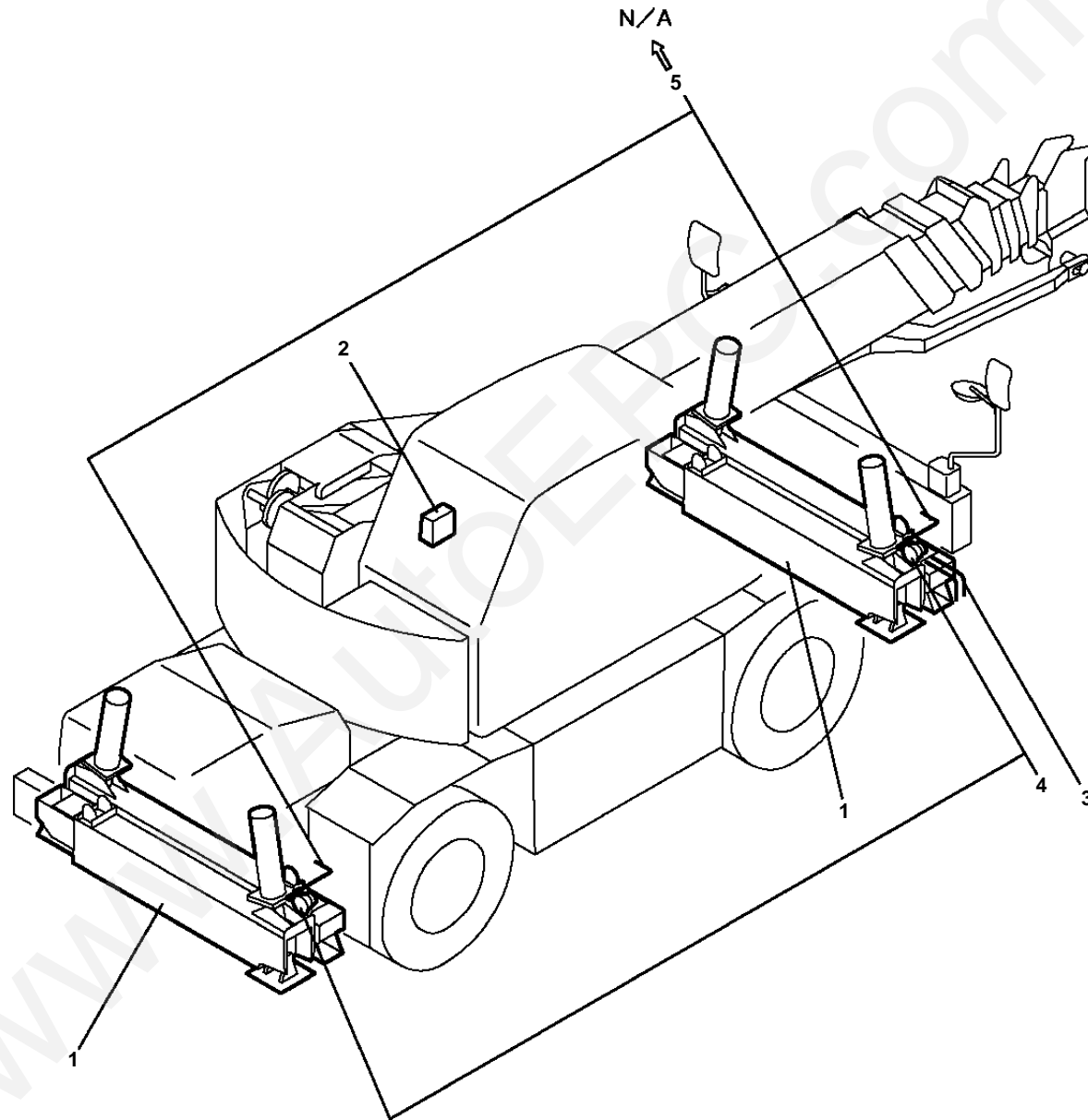


GR-120N-1-00111 12T,X,WINCH(W/O FREE-FALL),JIB(PT)

Pos No.	Parts No	Parts Name	Qty	Unit	Technical Data	Serial No (Start)	Serial No (End)	Remarks	Pages
1	34660330000	TANK,OIL	1						000025
2	(*****)	PIPING,SUCTION	1						000026
3	(*****)	PIPING,DELIVERY	1						000027
4	(*****)	PIPING,LOWER RETURN	1						000028
5	(*****)	PIPING,PILOT	1						000029
6	(*****)	PIPING,UPPER RETURN	1						000030
7	(*****)	PIPING,DRAIN	1						000031
8	34630590000	JOINT,ROTARY	1						000032
9	(*****)	PIPING (UNIT)	1						000039

www.AutoEPC.com

GR-120N-1-00111 12T,X,WINCH(W/O FREE-FALL),JIB(P.T)
PC1000394-01 OUTRIGGER SYSTEM

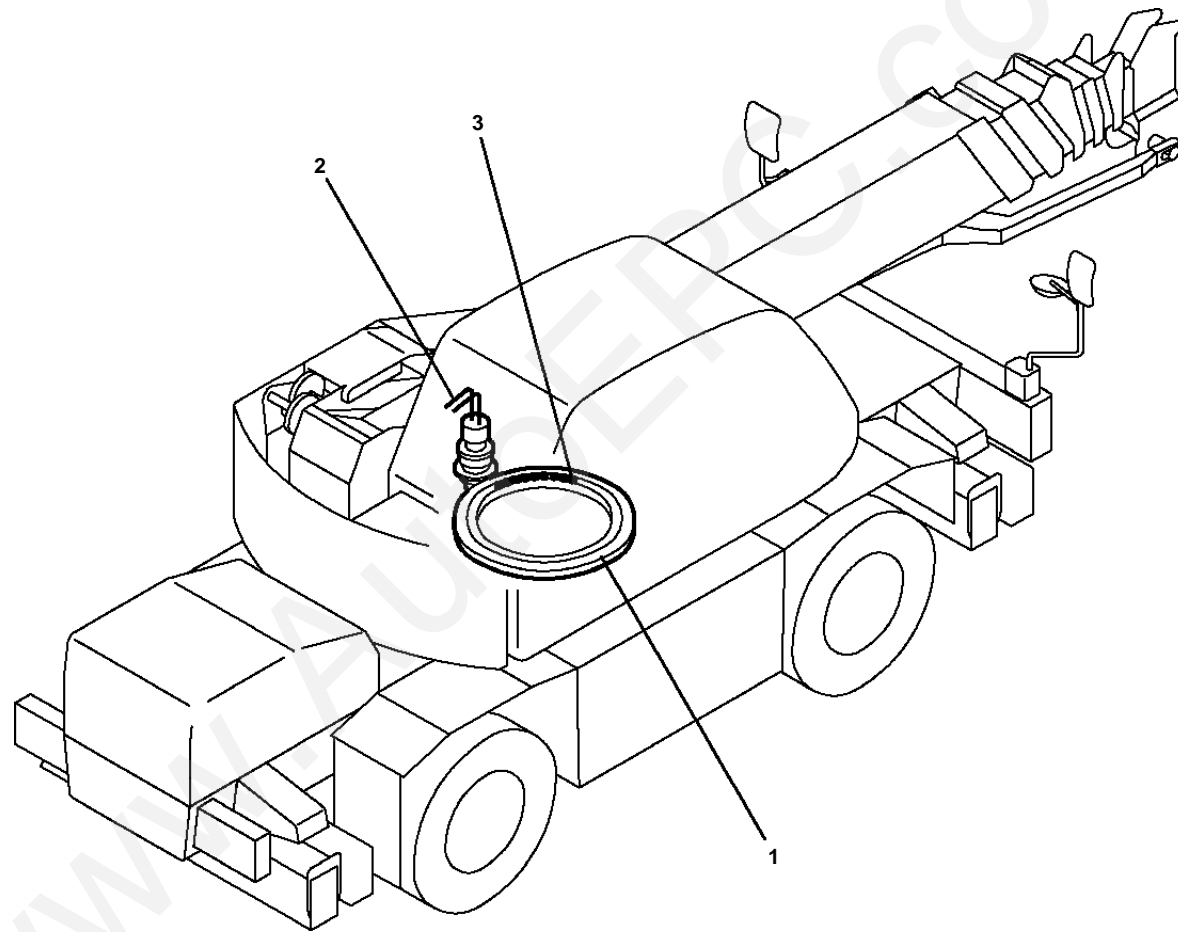


GR-120N-1-00111 12T,X,WINCH(W/O FREE-FALL),JIB(PT)

Pos No.	Parts No	Parts Name	Qty	Unit	Technical Data	Serial No (Start)	Serial No (End)	Remarks	Pages
1	(*****)	OUTRIGGER (X)	2						000041
2	(*****)	OPE.ASSY,OUTRIGGER	1						000044
3	(*****)	PIPING,OUTRIGGER (X)	1						000046
4	(*****)	DETECTOR,OUTRIGGER LENGTH (X)	1						000047
5	(*****)	ELEC.ASSY (X-O/R)	1				FD0943		000049

www.AutoEPC.com

GR-120N-1-00111 12T,X,WINCH(W/O FREE-FALL),JIB(P.T)
PD1000427-02 SWING SYSTEM

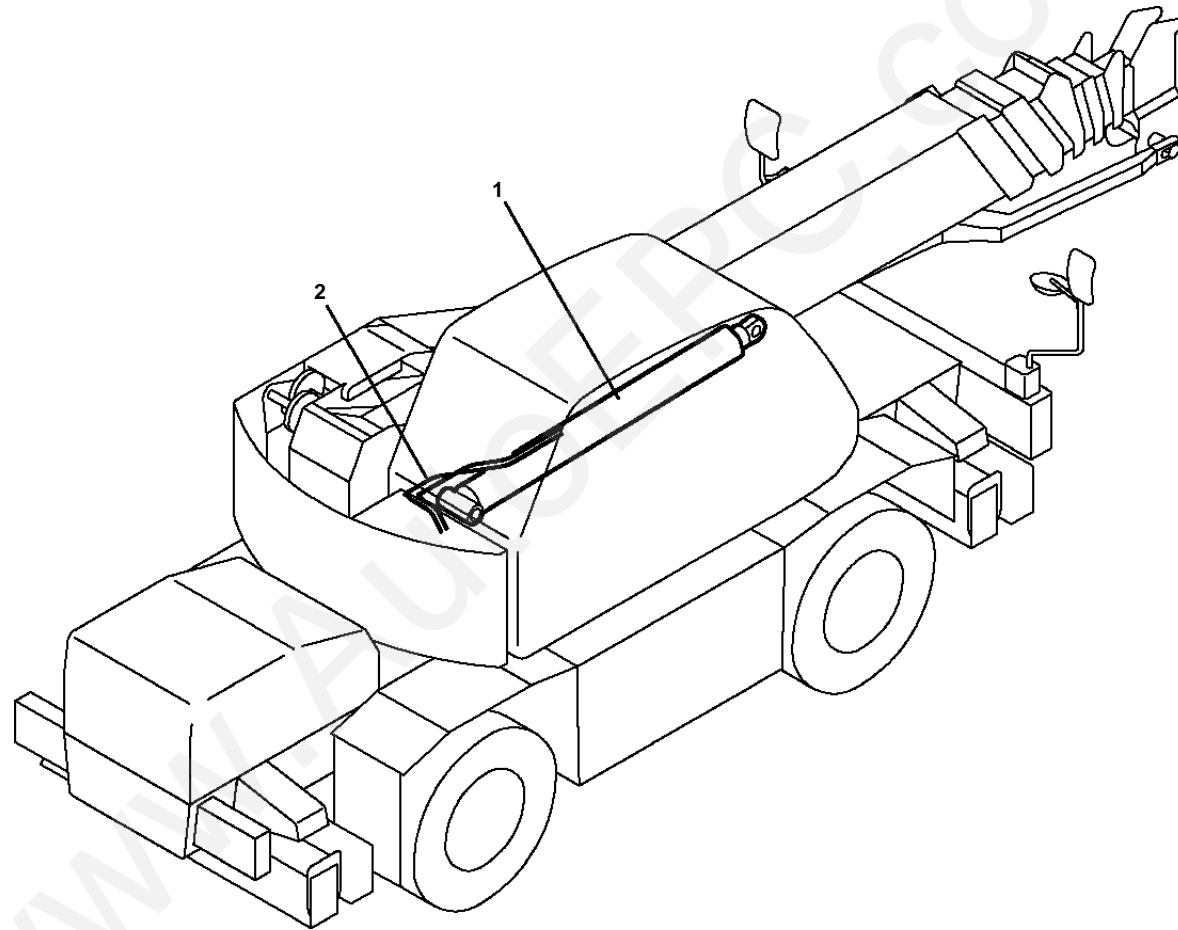


GR-120N-1-00111 12T,X,WINCH(W/O FREE-FALL),JIB(PT)

Pos No.	Parts No	Parts Name	Qty	Unit	Technical Data	Serial No (Start)	Serial No (End)	Remarks	Pages
1	(*****)	SWING UNIT	1				FD0069		000053
	(*****)	SWING ASSY	1			FD0070			000294
2	(*****)	PIPING,SWING	1						000055
3	(*****)	ATTACHMENT PARTS,SWING BEARING	1				FD0069		000324
	(*****)	ATTACHMENT PARTS,SWING BEARING	1			FD0070	FD0761		000325
	(*****)	ATTACHMENT PARTS, SWING BEARING	1			FD0762			000326

www.AutoEPC.com

GR-120N-1-00111 12T,X,WINCH(W/O FREE-FALL),JIB(P.T)
PE1000430-01 ELEVATING SYSTEM

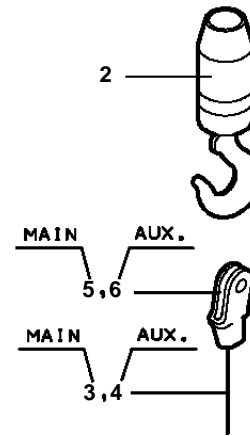
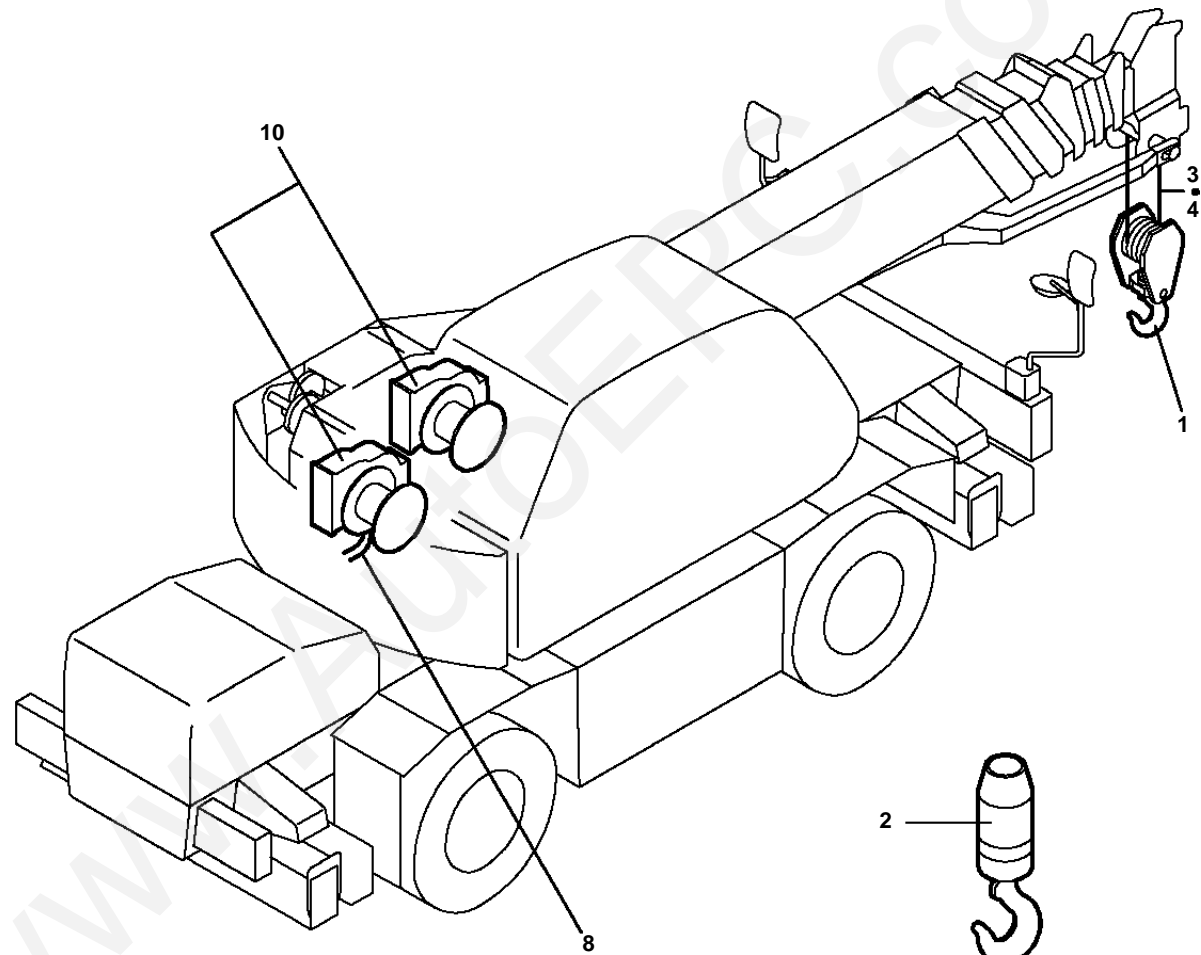


GR-120N-1-00111 12T,X,WINCH(W/O FREE-FALL),JIB(PT)

Pos No.	Parts No	Parts Name	Qty	Unit	Technical Data	Serial No (Start)	Serial No (End)	Remarks	Pages
1	36026260000	CYLINDER,ELEVATING	1						000056
2	(*****)	PIPING,ELEVATING	1						000057

www.AutoEPC.com

GR-120N-1-00111 12T,X,WINCH(W/O FREE-FALL),JIB(P.T)
PF1000381-01 WINCH SYSTEM

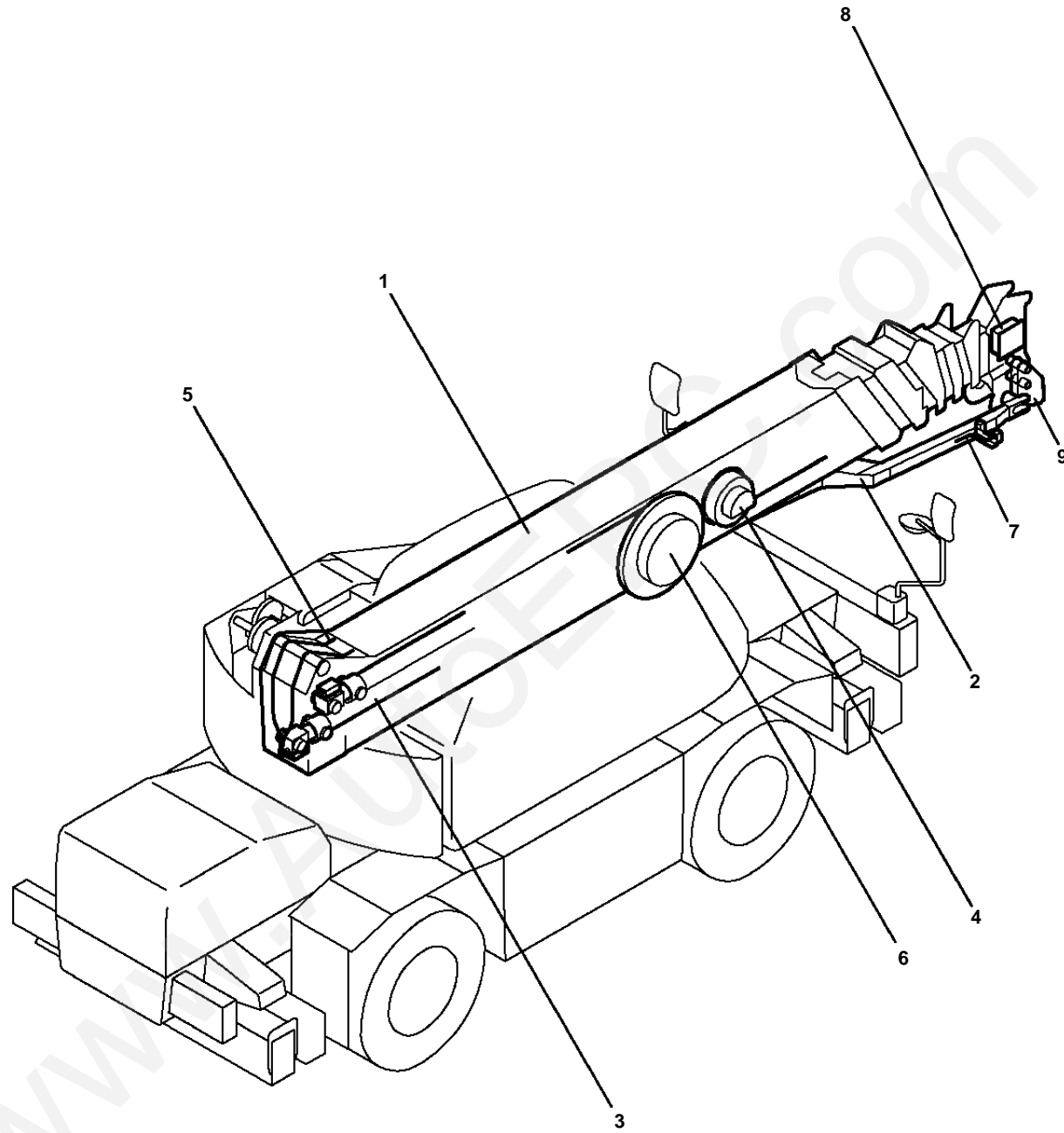


GR-120N-1-00111 12T,X,WINCH(W/O FREE-FALL),JIB(PT)

Pos No.	Parts No	Parts Name	Qty	Unit	Technical Data	Serial No (Start)	Serial No (End)	Remarks	Pages
1	(***** 36094660001	HOOK (MAIN,12TON)	1				FD1313		000060
	36094680000	HOOK (MAIN,12TON)	1			FD1314			000062
2	36094680000	HOOK ASSY (AUX./1.8TON)	1						000096
3	37001806310	ROPE,WIRE (KISWIRE)	1						000272
	37001806300	ROPE,WIRE (TESAC)	1						000271
4	37001806340	ROPE,WIRE (TESAC)	1				FD1466		000064
	37001806830	ROPE,WIRE (KISWIRE)	1						000273
	37001800160	ROPE,WIRE (TESAC)	1			FD1467			000270
5	(***** *****	SOCKET ASSY,ROPE (MAIN)	1						000290
6	(***** *****	SOCKET ASSY,ROPE (AUX.)	1						000291
8	(***** *****	PIPING,WINCH	1						000066
10	(***** *****	MOUNT,WINCH	1						000068

www.AutoEPC.com

GR-120N-1-00111 12T,X,WINCH(W/O FREE-FALL),JIB(P.T)
PG1000380-02 TELESCOPING SYSTEM

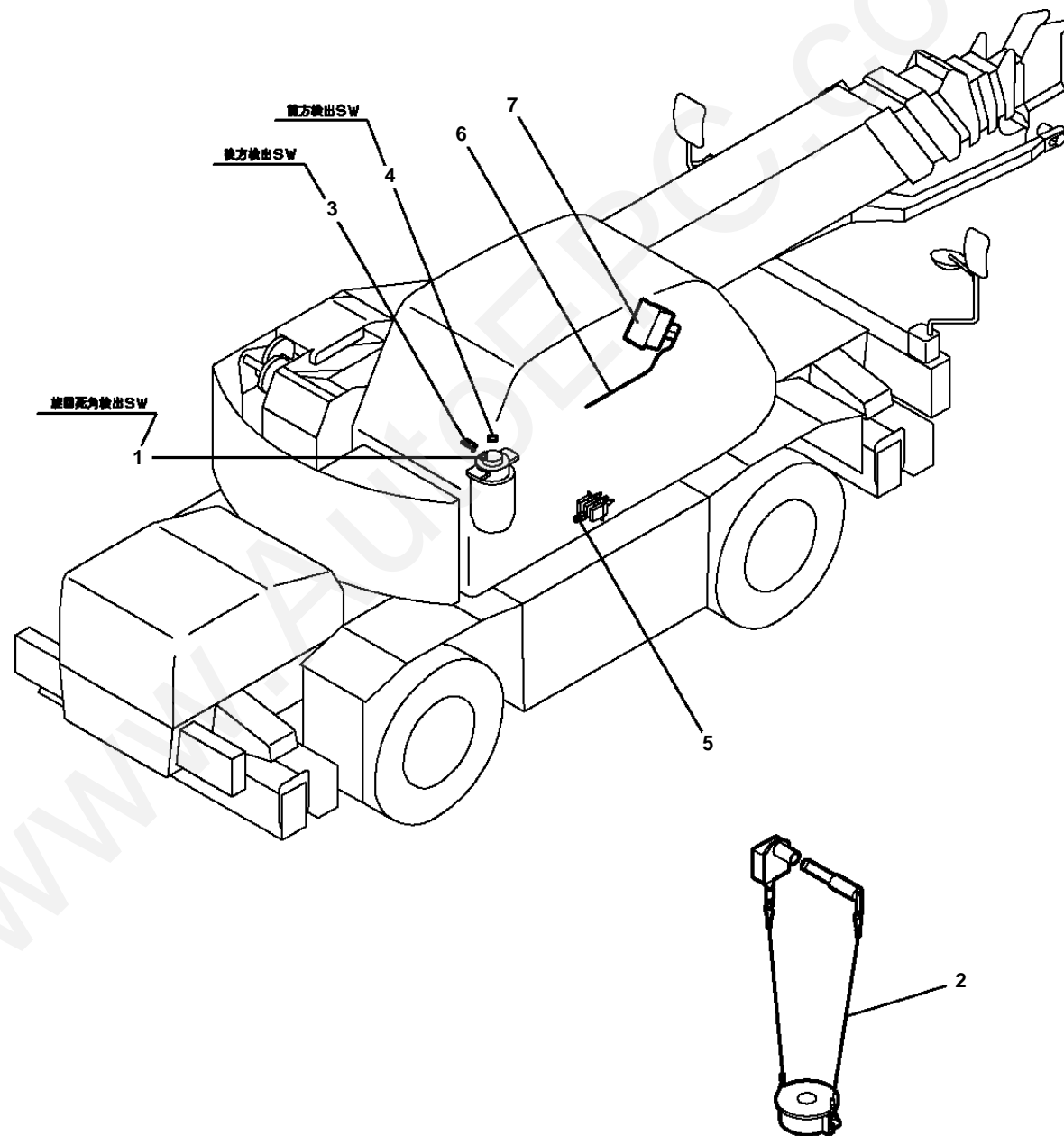


GR-120N-1-00111 12T,X,WINCH(W/O FREE-FALL),JIB(PT)

Pos No.	Parts No	Parts Name	Qty	Unit	Technical Data	Serial No (Start)	Serial No (End)	Remarks	Pages
1	(*****)	BOOM (6 SECT.)	1						000071
2	(*****)	JIB (POWER TILT)	1						000072
3	(*****)	TELESCOPE ASSY	1						000309
4	(*****)	DETECTOR SYSTEM,BOOM LENGTH	1						000075
5	(*****)	PIPING,TELESCOPING	1						000080
6	(*****)	PIPING,BOOM (POWER TILT)	1						000081
7	(*****)	PIPING,JIB (POWER TILT)	1						000083
8	(*****)	INDICATOR,ANGLE (POWER TILT JIB)	1						000089
9	(*****)	SINGLE TOP	1						000342

www.AutoEPC.com

GR-120N-1-00111 12T,X,WINCH(W/O FREE-FALL),JIB(P.T)
PH1000386-01 SAFETY DEVICES

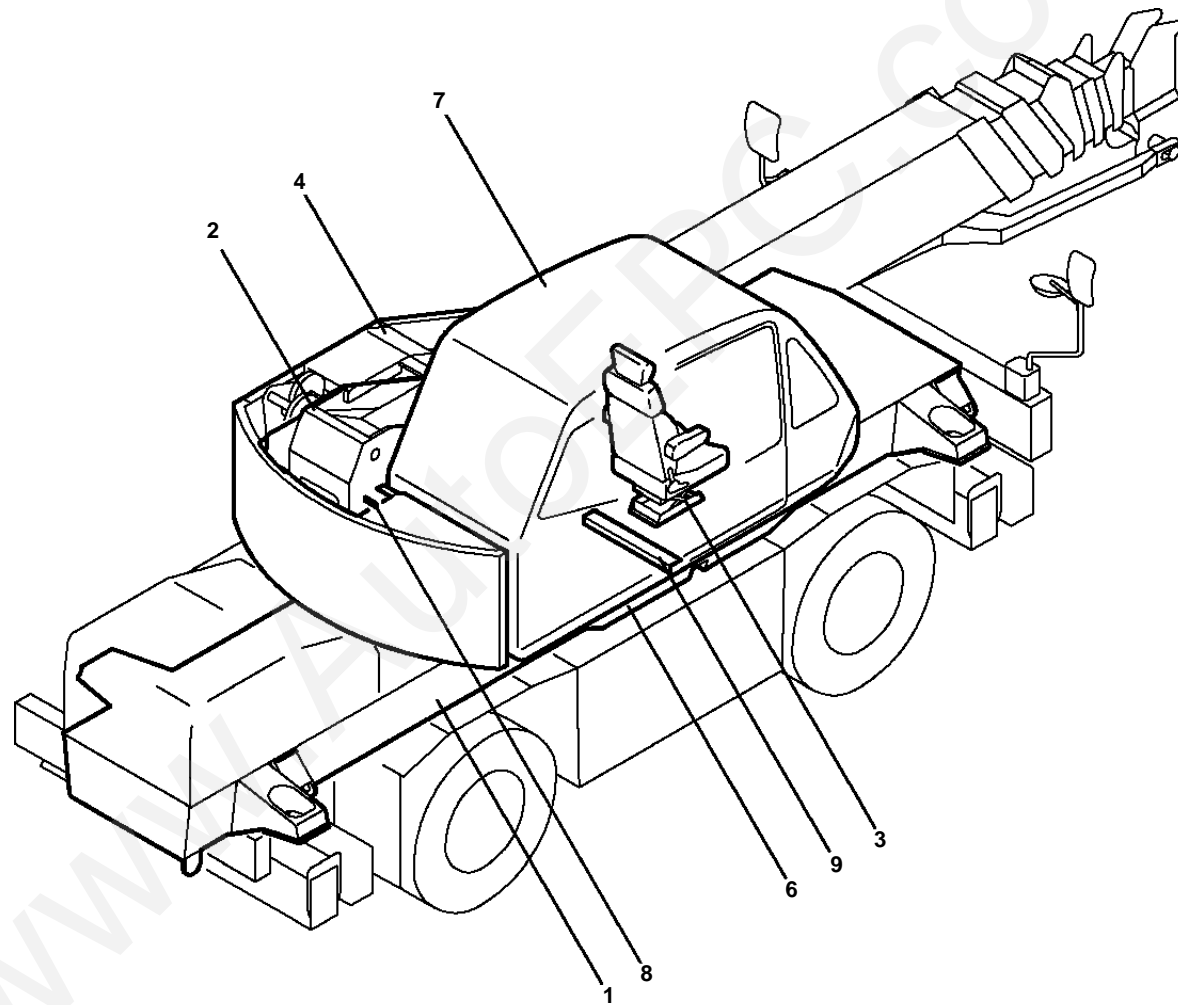


GR-120N-1-00111 12T,X,WINCH(W/O FREE-FALL),JIB(PT)

Pos No.	Parts No	Parts Name	Qty	Unit	Technical Data	Serial No (Start)	Serial No (End)	Remarks	Pages
1	(*****)	DETECTOR,OVER SIDE AREA	1				FD0564		000084
2	(*****)	INDICATOR ASSY,OVERWIND (BOOM & S/T)	1						000141
3	(*****)	DETECTOR,OVER REAR AREA	1						000085
4	(*****)	DETECTOR,OVER FRONT AREA	1						000086
5	(*****)	SWITCH ASSY (CRANE OPE.FOR REMOCON VALVE)	1						000295
6	(*****)	CONNECTION,AML SYSTEM	1						000087
7	36190290000	MOMENT LIMITER (AML-LJ)	1						000088

www.AutoEPC.com

GR-120N-1-00111 12T,X,WINCH(W/O FREE-FALL),JIB(P.T)
PK1000442-01 FRAME

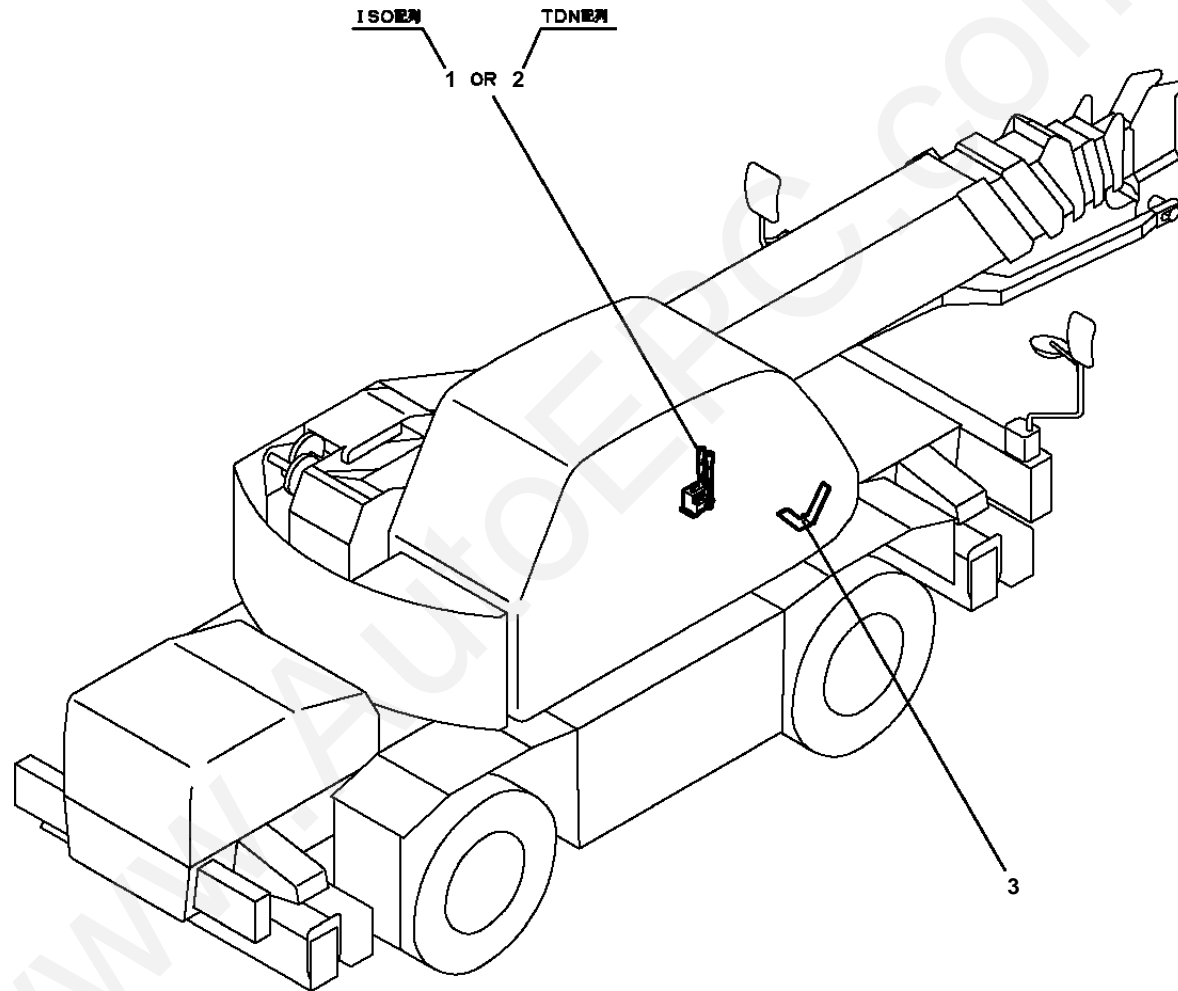


GR-120N-1-00111 12T,X,WINCH(W/O FREE-FALL),JIB(PT)

Pos No.	Parts No	Parts Name	Qty	Unit	Technical Data	Serial No (Start)	Serial No (End)	Remarks	Pages
1	34620598020	FRAME	1				FD0086		000142
	34620598021	FRAME	1			FD0087			000143
2	(*****)	SWING FRAME	1						000144
3	(*****)	SWING TABLE	1						000145
4	(*****)	COVER,SWING FRAME	1						000152
6	(*****)	COVER (CAB)	1						000154
7	(*****)	MOUNT,CAB	1						000155
8	(*****)	MOUNT (SUPPORT/SWING FRAME)	1						000156
9	(*****)	MOUNT (SUPPORT/FRAME)	1						000157

www.AutoEPC.com

GR-120N-1-00111 12T,X,WINCH(W/O FREE-FALL),JIB(P.T)
PL1000453-01 CONTROL DEVICES



GR-120N-1-00111 12T,X,WINCH(W/O FREE-FALL),JIB(PT)

Pos No.	Parts No	Parts Name	Qty	Unit	Technical Data	Serial No (Start)	Serial No (End)	Remarks	Pages
1	(*****)	OPE.ASSY,CONT.VALVE (ISO)	1						000158
2	(*****)	OPE.ASSY,CONT.VALVE (TDN)	1						000159
	(*****)	OPE.ASSY,CONT.VALVE	1			FD1441			000227
3	(*****)	OPE.ASSY,ACCELERATOR	1						000166

www.AutoEPC.com

GR-120N-1-00111 12T,X,WINCH(W/O FREE-FALL),JIB(PT)
PM1000032-01 LUBRICATION DEVICES

キユウユシ ソウチ
LUBRICATION DEVICES

【組立名称一覧】より選択してください。

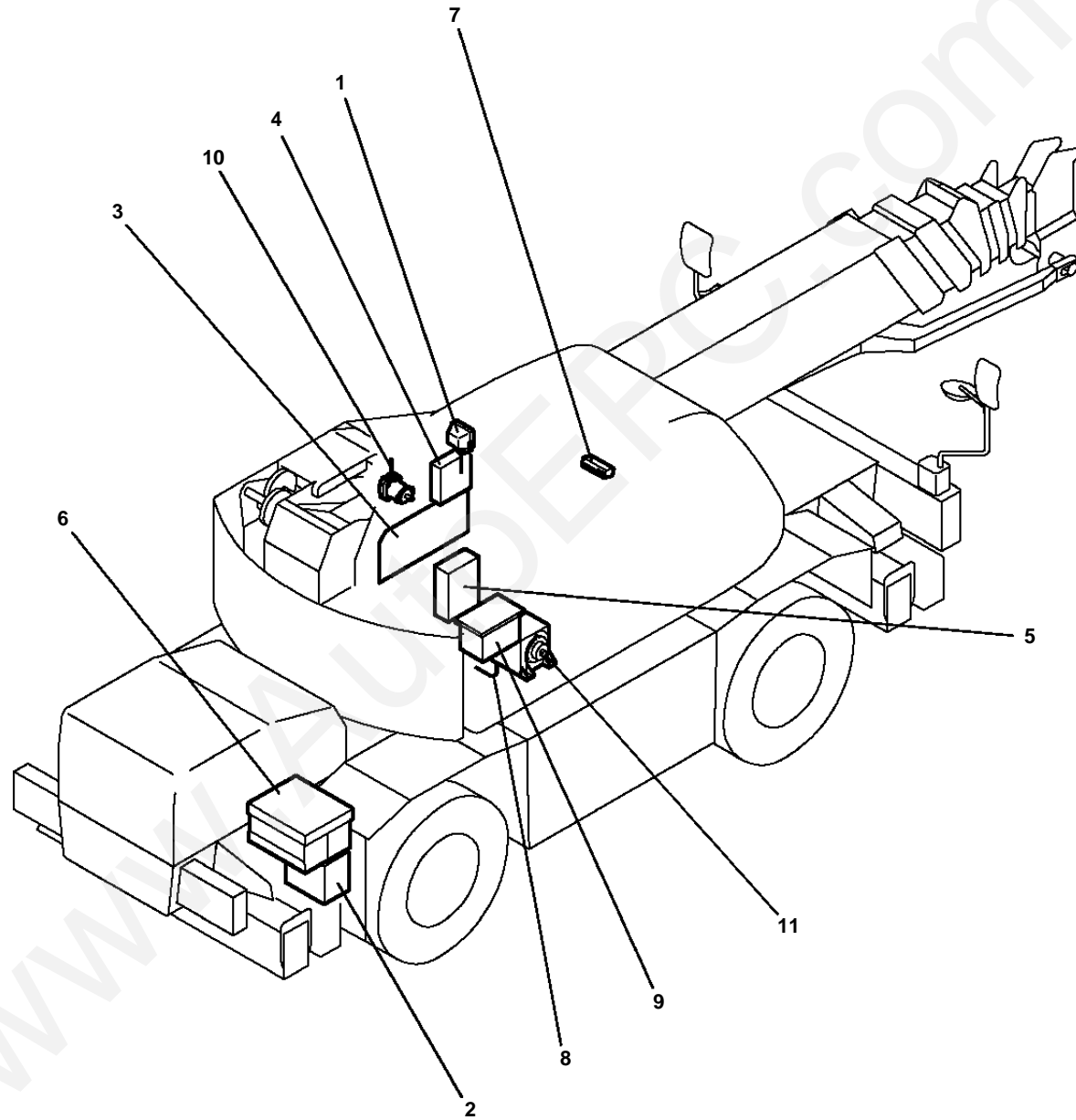
SEE THE CORRESPONDING "ASSEMBLY NAME" LIST.

GR-120N-1-00111 12T,X,WINCH(W/O FREE-FALL),JIB(PT)

Pos No.	Parts No	Parts Name	Qty	Unit	Technical Data	Serial No (Start)	Serial No (End)	Remarks	Pages
1	(*****)	PARTS ASSY,GREASE (UPPER)	1						000228
2	(*****)	CENTRAL LUBRICATION SYSTEM	1				FD0428		000178
	(*****)	CENTRAL LUBRICATION SYSTEM	1			FD0429			000180

www.AutoEPC.com

GR-120N-1-00111 12T,X,WINCH(W/O FREE-FALL),JIB(P.T)
PN1000330-01 ELECTRIC EQUIPMENT



GR-120N-1-00111 12T,X,WINCH(W/O FREE-FALL),JIB(PT)

Pos No.	Parts No	Parts Name	Qty	Unit	Technical Data	Serial No (Start)	Serial No (End)	Remarks	Pages
1	(*****)	ELEC.ASSY (UPPER)	1						000182
2	(*****)	ELEC.ASSY (LOWER,X-O/R)	1				FD0943		000183
	(*****)	ELEC.ASSY (LOWER,X-O/R)	1			FD0944			000184
3	(*****)	ELECTRICAL PARTS,CAB	1						000187
4	36170530000	TRANSMITTER, MULTI.DATA (UPPER,RYUSYO)	1						000197
	36170420000	TRANSMITTER, MULTI.DATA (UPPER/SIC)	1				FD0551		000195
5	36170540000	TRANSMITTER, MULTI.DATA (LOWER,RYUSYO)	1						000198
	36170430000	TRANSMITTER, MULTI.DATA (LOWER/SIC)	1				FD0551		000196
6	(*****)	BATTERY INSTALLATION	1						000203
7	(*****)	RADIO INSTALLATION	1						000350
8	(*****)	AIR CONDITIONER ASSY (MOUNT)	1						000361
9	(*****)	MOUNT ASSY,EVAPORATOR	1						000340
10	(*****)	MOUNT ASSY,COMPRESSOR	1				FD1883		000338
	(*****)	MOUNT ASSY,COMPRESSOR	1			FD1884			000339
11	36320530000	AIR CONDITIONER	1				FD0287		000357
	36320620000	AIR CONDITIONER	1			FD0288	FD1883		000358
	36320730000	AIR CONDITIONER ASSY	1			FD1884			000362

www.AutoEPC.com

GR-120N-1-00111 12T,X,WINCH(W/O FREE-FALL),JIB(PT)
PO1000144-01 INDICATION PLATES

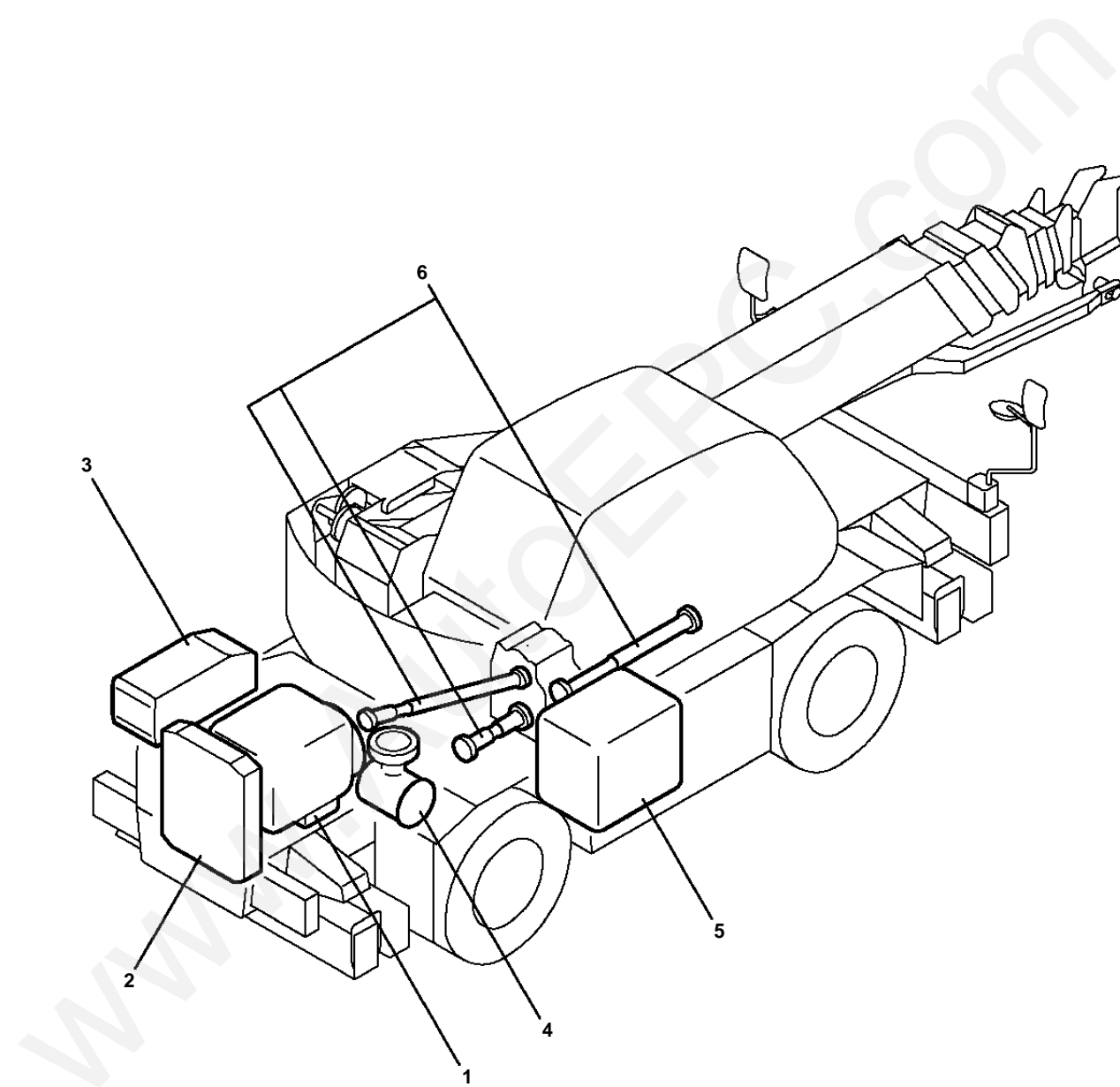
メイバン
INDICATION PLATES

【組立名称一覧】より選択してください。
SEE THE CORRESPONDING "ASSEMBLY NAME" LIST.

GR-120N-1-00111 12T,X,WINCH(W/O FREE-FALL),JIB(PT)

Pos No.	Parts No	Parts Name	Qty	Unit	Technical Data	Serial No (Start)	Serial No (End)	Remarks	Pages
1	(*****)	PLATE ASSY,NAME (UPPER,1)	1						000209
2	(*****)	PLATE ASSY,NAME (UPPER,2)	1						000211
3	(*****)	PLATE ASSY,NAME (LOWER)	1						000210
4	(*****)	PLATE ASSY,NAME (OIL)	1						000212
5	(*****)	PLATE ASSY,NAME (LLC FOR COLD DISTRICT)	1						000214
	(*****)	PLATE ASSY,NAME (OIL)	1						000212
6	(*****)	PLATE ASSY,NAME (LOW NOISE,EXHAUST GAS)	1				FD0186		000208
	(*****)	PLATE ASSY,NAME (LOW NOISE,EXHAUST GAS)	1			FD0187			000213
7	(*****)	NAME PLATE ASSY (COLLECTION OF CFC)	1			FD0267			000207
9	(*****)	TADANO (CAB,BLUE/WHITE)	1				FD0406		000218
	(*****)	TADANO (CAB,WHITE/WHITE)	1				FD0406		000217
	(*****)	TADANO (CAB,BLUE/BLACK)	1				FD0406		000216
10	(*****)	CREVO (CHARCOAL/CHARCOAL)	1						000220
	(*****)	CREVO (YELLOW/SILVER)	1						000219
11	(*****)	MARKING (BOOM)	1						000181
12	(*****)	MARKING (X-O/R)	1						000221
13	(*****)	NON-SLIP PLATE	1						000225
15	(*****)	REFLECTOR (REAR)	1						000332
16	(*****)	REFLECTOR (BOOM, TOP)	1			FD0157			000333

**GR-120N-1-00111 12T,X,WINCH(W/O FREE-FALL),JIB(PT)
PQ1000138-01 DRIVING POWER GENERATING SYSTEM**

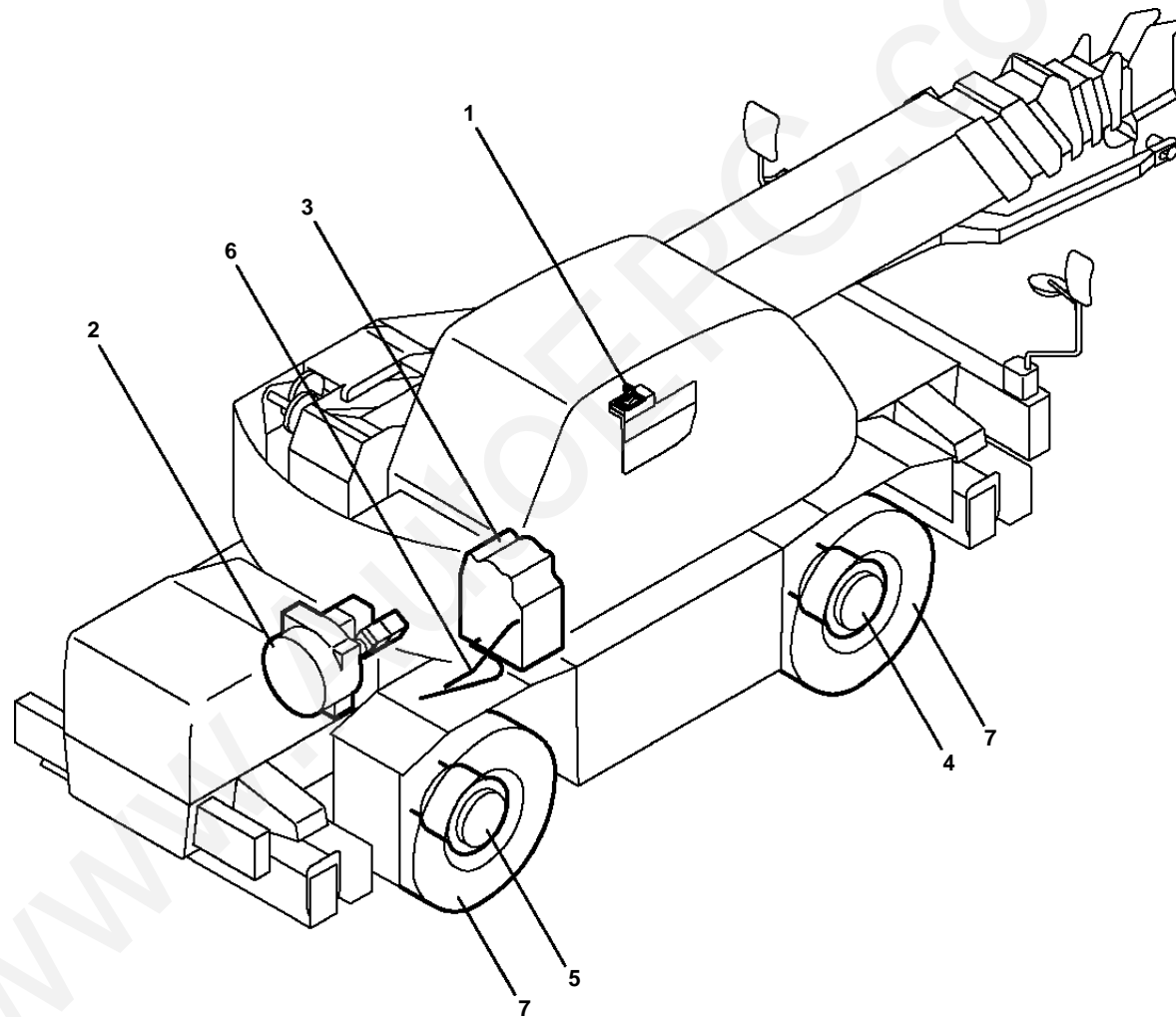


GR-120N-1-00111 12T,X,WINCH(W/O FREE-FALL),JIB(PT)

Pos No.	Parts No	Parts Name	Qty	Unit	Technical Data	Serial No (Start)	Serial No (End)	Remarks	Pages
1	36361120000	ENGINE	1						000231
2	(*****)	RADIATOR INSTALLATION	1						000232
3	(*****)	EXHAUST	1						000233
4	(*****)	AIR INTAKE INSTALLATION	1						000234
5	(*****)	TANK,FUEL INSTALLATION	1						000236
6	(*****)	POWER TRAIN	1						000238

www.AutoEPC.com

GR-120N-1-00111 12T,X,WINCH(W/O FREE-FALL),JIB(PT)
PR1000081-02 DRIVING POWER TRANSMISSION SYSTEM

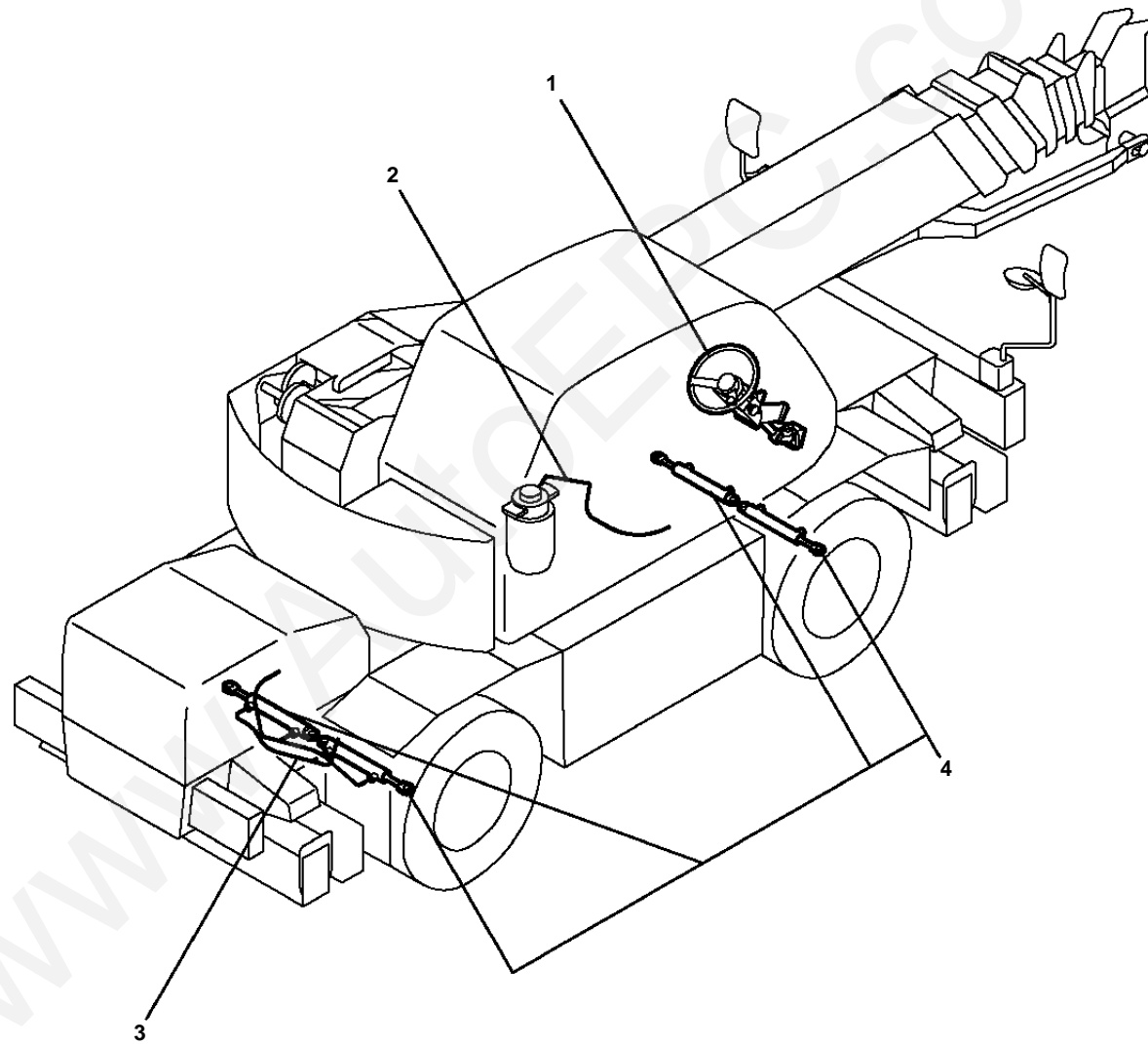


GR-120N-1-00111 12T,X,WINCH(W/O FREE-FALL),JIB(PT)

Pos No.	Parts No	Parts Name	Qty	Unit	Technical Data	Serial No (Start)	Serial No (End)	Remarks	Pages
1	(*****)	OPERATION SYSTEM, TRANSMISSION	1						000239
2	36370450000	TORQUE CONVERTER	1						000240
3	36350520000	TRANSMISSION	1				FD0511		000244
	36350520001	TRANSMISSION	1			FD0512			000245
4	36381630000	AXLE,DRIVING (FRONT)	1						000255
5	36381640000	AXLE,DRIVING (REAR)	1						000256
	36381650000	AXLE,DRIVING (REAR,NO-SPIN)	1						000257
6	(*****)	PIPING, CONVERTER	1						000258
7	(*****)	TIRE & WHEEL (275/80:BS.+TOPY,M810)	4						000267
	(*****)	TIRE & WHEEL (275/80:BS.+MINEBE)	4				FD0943		000266
	(*****)	TIRE & WHEEL (275/80:DUNLOP+TOPY)	4						000268
	(*****)	TIRE & WHEEL (275/80:BS.+TOPY,W990A)	4			FD1221			000269

www.AutoEPC.com

GR-120N-1-00111 12T,X,WINCH(W/O FREE-FALL),JIB(P.T)
PS1000107-01 STEERING SYSTEM

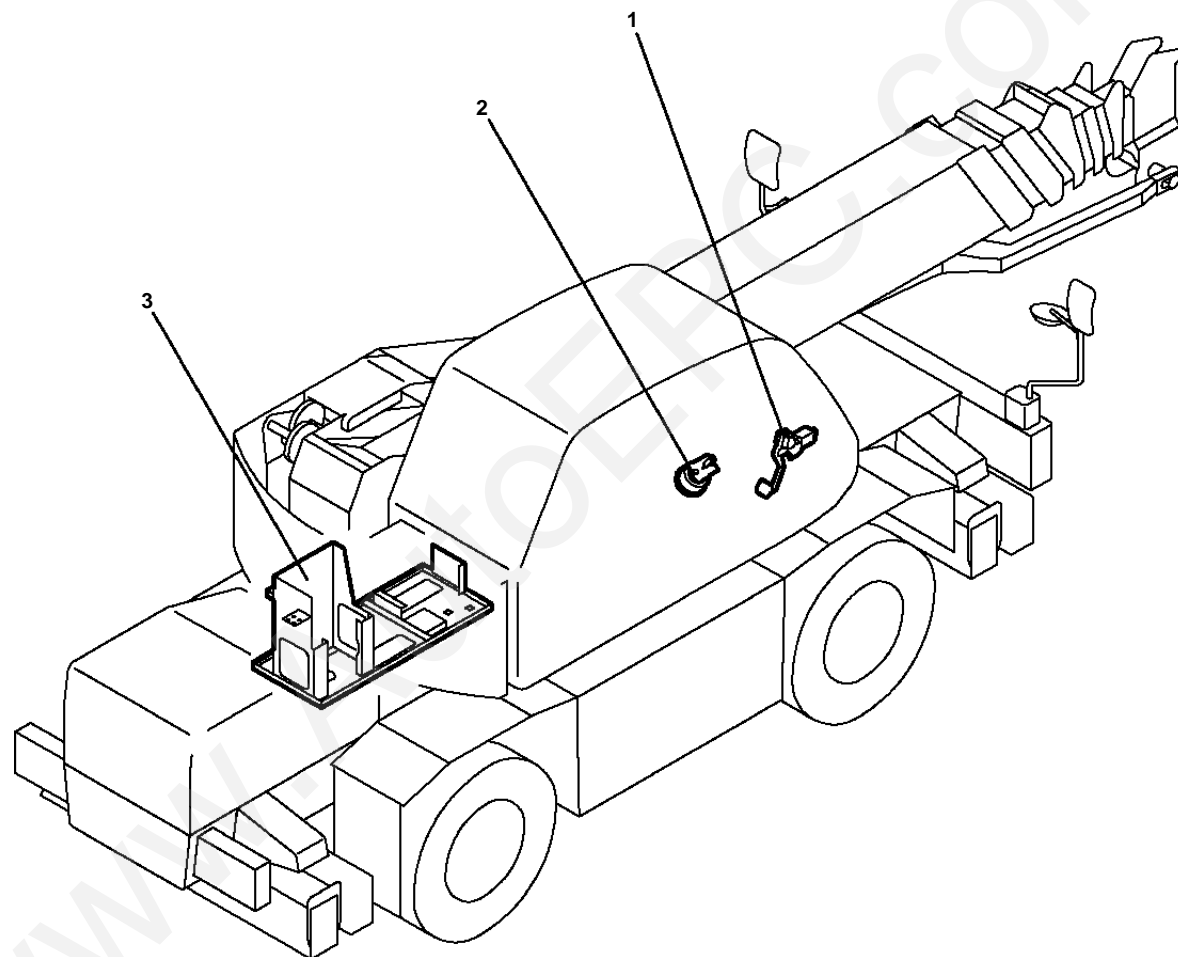


GR-120N-1-00111 12T,X,WINCH(W/O FREE-FALL),JIB(PT)

Pos No.	Parts No	Parts Name	Qty	Unit	Technical Data	Serial No (Start)	Serial No (End)	Remarks	Pages
1	(*****)	PIPING,STEERING (CAB)	1						000281
2	(*****)	PIPING,STEERING (UPPER)	1						000282
3	(*****)	PIPING,STEERING (LOWER)	1						000283
4	(*****)	CYLINDER,STEERING INSTALLATION	1						000285

www.AutoEPC.com

GR-120N-1-00111 12T,X,WINCH(W/O FREE-FALL),JIB(P
PT1000089-01 BRAKE SYSTEM

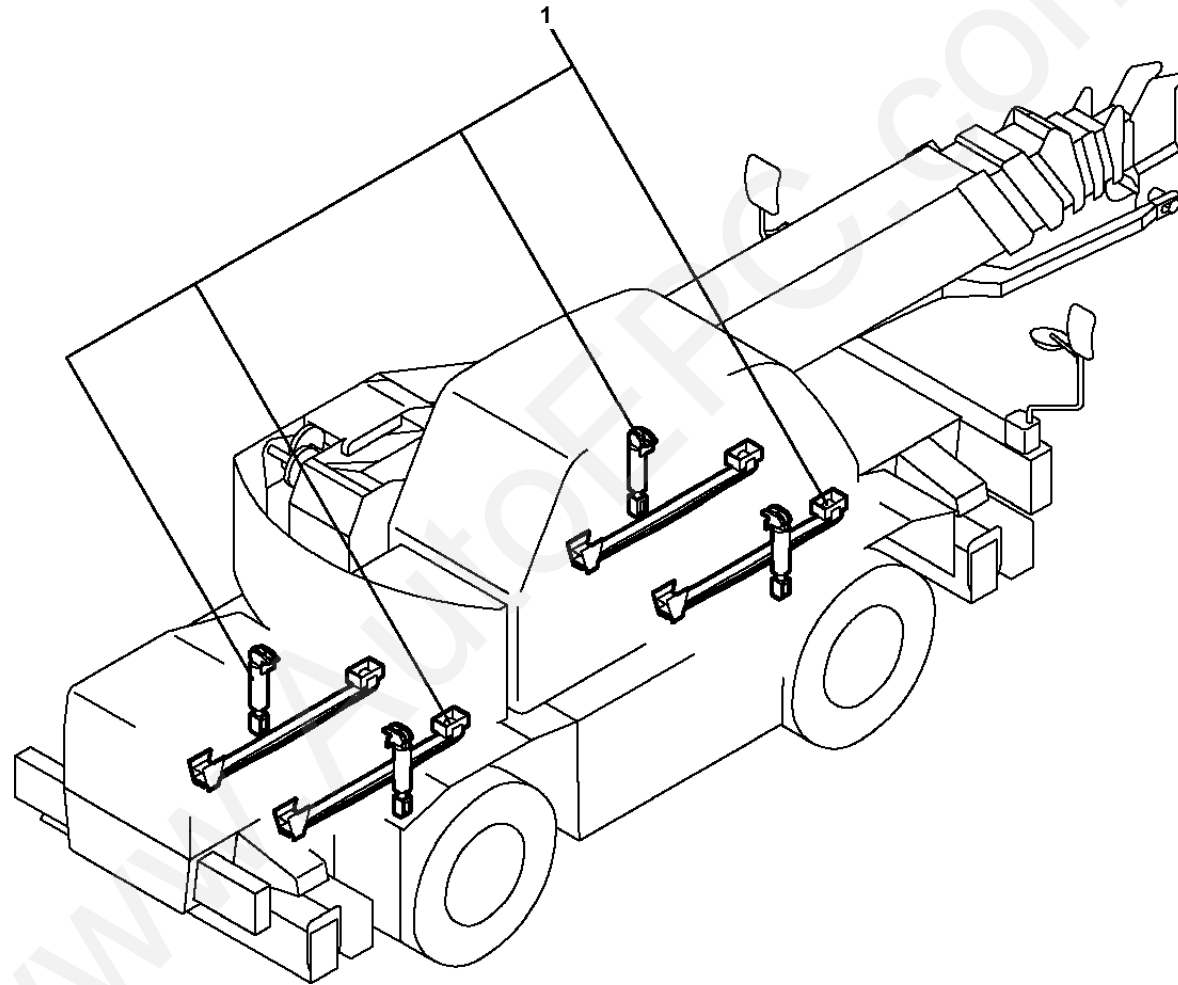


GR-120N-1-00111 12T,X,WINCH(W/O FREE-FALL),JIB(PT)

Pos No.	Parts No	Parts Name	Qty	Unit	Technical Data	Serial No (Start)	Serial No (End)	Remarks	Pages
1	(*****)	OPE.ASSY,SERVICE BRAKE	1						000301
2	(*****)	PIPING,BRAKE	1						000303
3	(*****)	PIPING,AIR	1						000304

www.AutoEPC.com

GR-120N-1-00111 12T,X,WINCH(W/O FREE-FALL),JIB(P.T)
PU1000082-01 SUSPENSION



GR-120N-1-00111 12T,X,WINCH(W/O FREE-FALL),JIB(PT)

Pos No.	Parts No	Parts Name	Qty	Unit	Technical Data	Serial No (Start)	Serial No (End)	Remarks	Pages
1	(*****)	MOUNT,SUSPENSION	1						000316

www.AutoEPC.com

GR-120N-1-00111 12T,X,WINCH(W/O FREE-FALL),JIB(PT)
PW1000097-02 ACCESSORIES & TOOLS

フック・ペン
ACCESSORIES & TOOLS

【組立名称一覧】より選択してください。

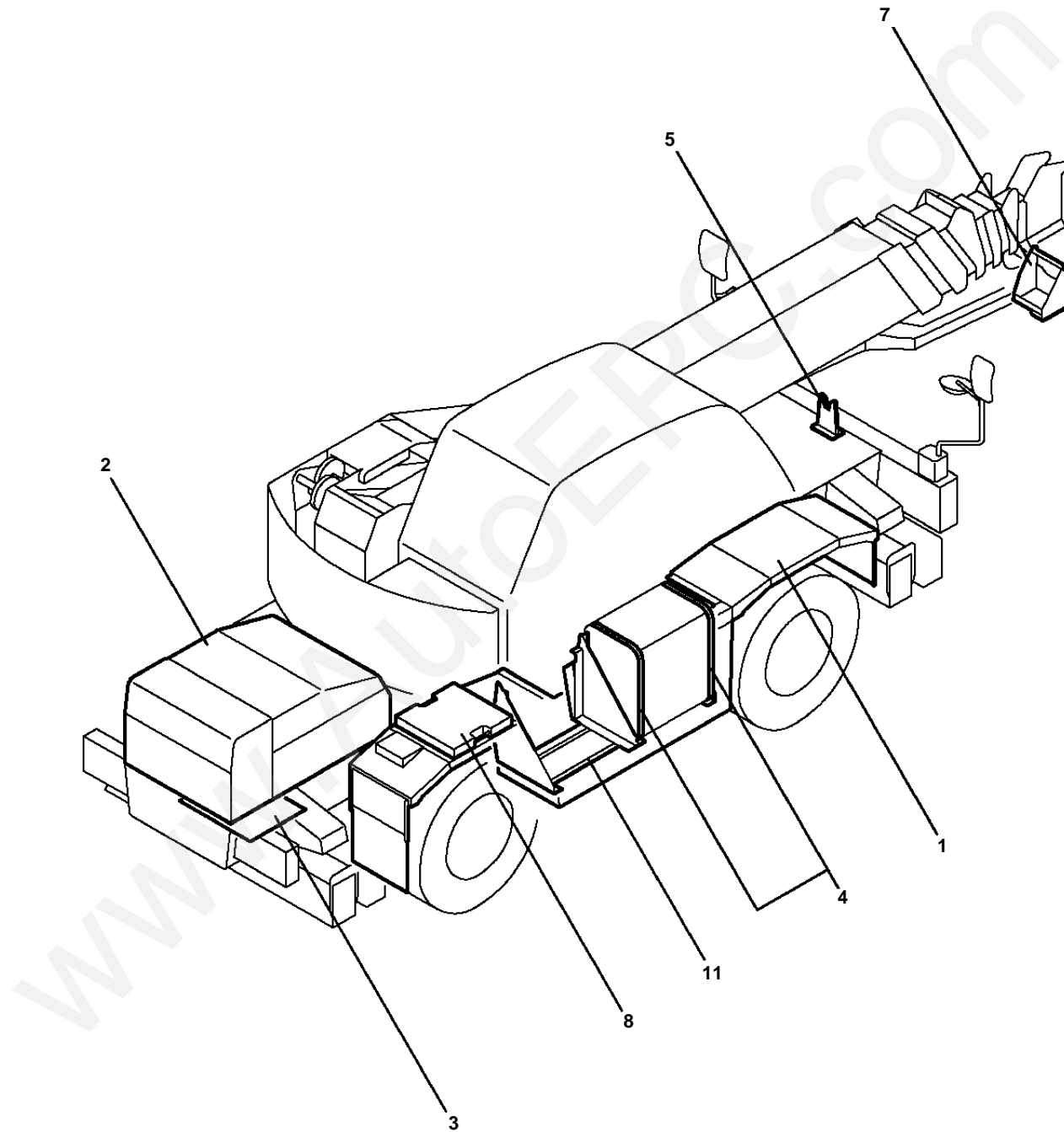
SEE THE CORRESPONDING "ASSEMBLY NAME" LIST.

GR-120N-1-00111 12T,X,WINCH(W/O FREE-FALL),JIB(PT)

Pos No.	Parts No	Parts Name	Qty	Unit	Technical Data	Serial No (Start)	Serial No (End)	Remarks	Pages
1	(*****)	ACCESSORIES	1						000317
2	(*****)	TOOL ASSY	1						000310

www.AutoEPC.com

GR-120N-1-00111 12T,X,WINCH(W/O FREE-FALL),JIB(P.T)
PX1000468-04 MOUNTING PARTS

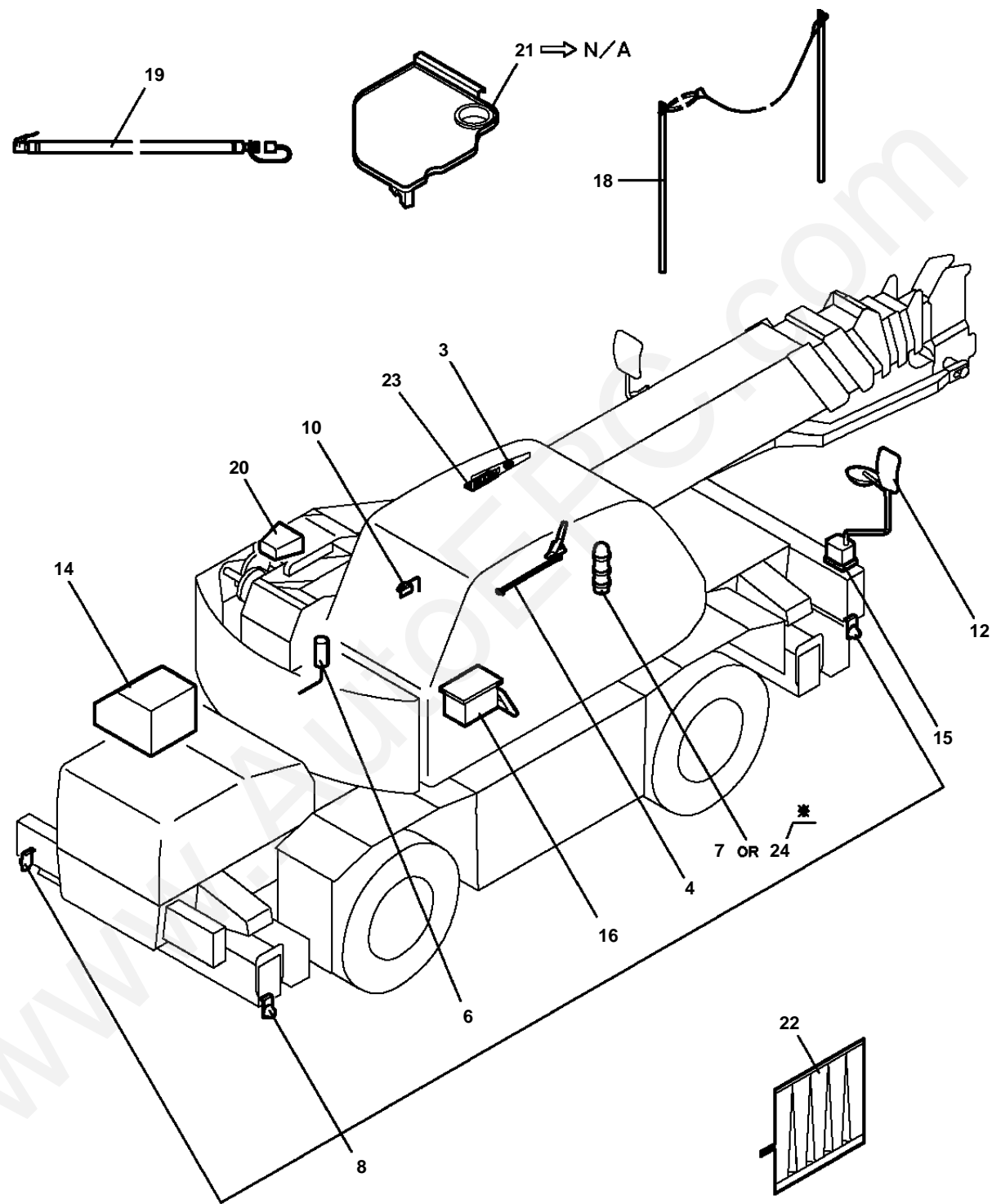


GR-120N-1-00111 12T,X,WINCH(W/O FREE-FALL),JIB(PT)

Pos No.	Parts No	Parts Name	Qty	Unit	Technical Data	Serial No (Start)	Serial No (End)	Remarks	Pages
1	(*****)	FENDER	1				FD0943		000318
	(*****)	FENDER	1			FD0944			000319
2	(*****)	ROOM,ENGINE	1						000320
3	(*****)	ROOM,ENGINE (UNDER COVER)	1						000321
4	(*****)	TANK SUPPORT (BAND)	1						000322
5	(*****)	BOOM REST	1						000323
7	(*****)	MOUNT ASSY,HOOK (HOOK-IN)	1						000341
8	(*****)	WOOD BLOCK (MOUNT)	1						000330
11	(*****)	MOUNT,SUPPORT(TANK,BOOM REST,WOOD BLOCK)	1						000334

www.AutoEPC.com

GR-120N-1-00111 12T,X,WINCH(W/O FREE-FALL),JIB(P.T)
 PY1000396-09 OPTIONS



※ AML外部表示灯はサポートとセットで既納車に取り付け可能です。
 ※ AML INDICATOR LAMP CAN BE INSTALLED
 ON THE ALREADY DELIVERED MACHINE
 BY USING THE SUPPORT.

GR-120N-1-00111 12T,X,WINCH(W/O FREE-FALL),JIB(PT)

Pos No.	Parts No	Parts Name	Qty	Unit	Technical Data	Serial No (Start)	Serial No (End)	Remark
3	(*****)	INDICATOR,DRUM	1			FD1046		
4	(*****)	OPE.ASSY,CONT.VALVE	1					
	(*****)	OPE.ASSY,CONT.VALVE	1					
	(*****)	OPE.ASSY,CONT.VALVE	1					
	(*****)	OPE.ASSY,CONT.VALVE	1					
	(*****)	OPE.ASSY,CONT.VALVE (ISO:MAIN,AUX.PEDAL)	1					
6	(*****)	CENTRAL LUBRICATION SYSTEM	1					
7	(*****)	LAMP (AML)	1				FD0512	
	(*****)	LAMP ASSY,AML	1			FD0513		
8	(*****)	ELEC.ASSY (MARKER LAMP)	1			FD1361		
10	(*****)	SPEED METER SYSTEM (YAZAKI,SG18-100W)	1					
12	(*****)	MIRROR	1				FD0885	
	(*****)	MIRROR	1					
14	(*****)	BOX,TOOL (MOUNT)	1					
15	(*****)	SUPPORT ASSY (ELECTRIC STOWING MIRROR ADMIRATION STAND)	1					
16	(*****)	MOUNT (COOL BOX)	1					
18	(*****)	ROPE (SAFETY,FOR X-O/R)	1			FD1066		
19	(*****)	INFLATOR,AIR	1					
20	(*****)	SPEAKER ASSY	1					
21	34477670000	TABLE,LUNCH	1				FD1168	
22	34493430000	CURTAIN	1					
23	(*****)	COVER ASSY (FOR NON SPEAKER)	1					
24	(*****)	LAMP ASSY,AML (LED)	1					

GR-120N-1-00111 12T,X,WINCH(W/O FREE-FALL),JIB(PT)

PB1100124-00 PUMP,HYDRAULIC
PB1100175-00 PUMP,HYDRAULIC (EMERGENCY STEERING)
PB1100206-00 PUMP,HYDRAULIC
PB1130212-03 TANK,OIL
PB1200150-01 PIPING,SUCTION
PB1220175-01 PIPING,DELIVERY
PB1240152-02 PIPING,LOWER RETURN
PB1250037-01 PIPING,PILOT
PB1260184-00 PIPING,UPPER RETURN
PB1270120-00 PIPING,DRAIN
PB1300352-02 JOINT,ROTARY
PB1310035-02 BRUSH,ROTARY JOINT
PB1310038-01 BRUSH,ROTARY JOINT
PB1340061-02 VALVE,SOLENOID CONTROL
PB1340063-00 VALVE,SOLENOID CONTROL
PB1340077-01 VALVE,SOLENOID CONTROL
PB1350016-02 VALVE,PILOT OPERATED CONTROL
PB1910003-02 PIPING (UNIT)
PB5050001-00 BATTERY (HYUNDAI ENERCELL)
PC1010830-00 OUTRIGGER (X)
PC1030319-01 CYLINDER,JACK
PC1050226-00 CYLINDER,EXTENSION
PC1100246-00 OPE.ASSY,OUTRIGGER
PC1110006-03 BOX,OUTRIGGER OPERATION
PC1200428-00 PIPING,OUTRIGGER (X)
PC1370030-00 DETECTOR,OUTRIGGER LENGTH (X)
PC1380012-01 DETECTOR,OUTRIGGER LENGTH
PC1930001-00 ELEC.ASSY (X-O/R)
PC5340001-00 COMPRESSOR ASSY
PC5340004-00 COMPRESSOR ASSY
PC5570003-00 COVER ASSY (FOR NON SPEAKER)
PD1020013-01 SWING UNIT
PD1070013-00 DRIVING UNIT,SWING
PD1200154-00 PIPING,SWING
PE1010388-00 CYLINDER,ELEVATING
PE1200116-00 PIPING,ELEVATING
PE5020011-01 ELEC.ASSY (MARKER LAMP)
PF1010211-00 WINCH
PF1050354-02 HOOK (MAIN,12TON)
PF1050467-00 HOOK (SHEAVE 4 PC'S)
PF1050516-00 HOOK (MAIN,12TON)
PF1050517-00 HOOK (SHEAVE 4 PC'S)
PF1070031-00 ROPE,WIRE (TESAC)
PF1120024-02 BAND,WINCH BRAKE
PF1200300-00 PIPING,WINCH
PF1260027-00 INDICATOR,DRUM
PF1400328-00 MOUNT,WINCH
PF5030010-00 FILTER ASSY
PF5030011-02 FILTER ASSY (WATER)
PG1010697-05 BOOM (6 SECT.)
PG1040261-02 JIB (POWER TILT)
PG1070145-00 REEL,HOSE (POWER TILT)
PG1080058-01 CYLINDER,JIB (TILT)
PG1120159-02 DETECTOR SYSTEM,BOOM LENGTH
PG1120214-00 DETECTOR,BOOM LENGTH
PG1130138-00 DETECTOR,BOOM LENGTH
PG1190011-02 DETECTOR,JIB LENGTH (POWER TILT)

GR-120N-1-00111 12T,X,WINCH(W/O FREE-FALL),JIB(PT)

PG1190014-00 DETECTOR,JIB LENGTH
PG1200162-00 PIPING,TELESCOPING
PG1220062-01 PIPING,BOOM (POWER TILT)
PG1350013-02 WELDED PARTS (BOOM,BASE)
PG1400114-02 PIPING,JIB (POWER TILT)
PH1050014-00 DETECTOR,OVER SIDE AREA
PH1090024-00 DETECTOR,OVER REAR AREA
PH1100044-00 DETECTOR,OVER FRONT AREA
PH1180217-02 CONNECTION,AML SYSTEM
PH1250057-00 MOMENT LIMITER (AML-LJ)
PH1260037-03 INDICATOR,ANGLE (POWER TILT JIB)
PH1390002-01 LEVEL GAUGE
PH5031274-00 HARNESS
PH5031275-00 HARNESS
PH5031276-00 HARNESS
PH5031277-00 HARNESS
PH5031279-00 HARNESS
PH5080005-00 HOOK ASSY (AUX./1.8TON)
PI1010071-01 MOTOR,HYDRAULIC (SWING)
PI1010072-01 MOTOR,HYDRAULIC (AIR CONDITIONER)
PI1010179-00 MOTOR,HYDRAULIC (WINCHI)
PI1010186-00 MOTOR,HYDRAULIC
PI1010216-00 MOTOR,HYDRAULIC
PI1120131-02 VALVE,SOLENOID
PI1120135-04 VALVE,SOLENOID (NACHI)
PI1120142-01 VALVE,SOLENOID
PI1120142-01 VALVE,SOLENOID
PI1120161-02 VALVE,SOLENOID
PI1120171-03 VALVE,SOLENOID
PI1120186-00 VALVE,SOLENOID
PI1120233-01 VALVE,SOLENOID (TOKIMEC)
PI1120234-01 VALVE,SOLENOID (UCHIDA)
PI1120238-01 VALVE,SOLENOID
PI1120265-00 VALVE,SOLENOID
PI1120267-00 VALVE,SOLENOID
PI1120299-00 VALVE,SOLENOID
PI1120302-00 VALVE,SOLENOID
PI1120346-00 VALVE,SOLENOID
PI1120349-00 VALVE,SOLENOID
PI1120350-00 VALVE,SOLENOID
PI1130028-01 VALVE,HYDRAULIC
PI1130041-00 VALVE,HYDRAULIC
PI1130043-00 VALVE,HYDRAULIC
PI1130060-00 VALVE,HYDRAULIC
PI1140040-00 VALVE,CHECK
PI1140072-00 VALVE,CHECK
PI1140088-00 VALVE,CHECK
PI1140094-00 VALVE,CHECK
PI1140116-00 VALVE,CHECK
PI1140151-01 VALVE,CHECK
PI1140161-01 VALVE,CHECK
PI1140169-00 VALVE,CHECK
PI1160029-01 VALVE,FLOW CONTROL
PI1210000-01 VALVE,PRESSURE PROTECTION
PI1230016-00 VALVE,SHUTTLE
PI1250070-02 VALVE,COUNTERBALANCE
PI1250115-01 VALVE,COUNTERBALANCE

GR-120N-1-00111 12T,X,WINCH(W/O FREE-FALL),JIB(P.T)

PI1250142-00 VALVE,COUNTERBALANCE
PI1250144-00 VALVE,COUNTERBALANCE
PI1300013-02 FILTER,OIL (TORQUE CONVERTER)
PI1300043-02 FILTER ASSY (WATER)
PI1300061-02 FILTER,OIL (YAMASHIN)
PI5070002-02 INDICATOR ASSY,OVERWIND (BOOM & S/T)
PK1011210-00 FRAME
PK1011210-00 FRAME
PK1100329-01 SWING FRAME
PK1120198-04 SWING TABLE
PK1140165-07 CAB,OPERATOR
PK1140172-05 CAB,OPERATOR
PK1140263-00 CAB,OPERATOR
PK1140274-00 CAB,OPERATOR (ARM ASS,WIPER)
PK1150032-03 SEAT,OPERATOR
PK1150036-02 SEAT,OPERATOR
PK1200363-00 COVER,SWING FRAME
PK1310001-00 CURTAIN
PK1330066-00 COVER (CAB)
PK1410042-04 MOUNT,CAB
PK1940001-01 MOUNT (SUPPORT/SWING FRAME)
PK1940003-03 MOUNT (SUPPORT/FRAME)
PL1010885-06 OPE.ASSY,CONT.VALVE (ISO)
PL1010886-06 OPE.ASSY,CONT.VALVE (TDN)
PL1010893-02 OPE.ASSY,CONT.VALVE
PL1010894-02 OPE.ASSY,CONT.VALVE
PL1010898-02 OPE.ASSY,CONT.VALVE
PL1010901-01 OPE.ASSY,CONT.VALVE
PL1020057-02 LEVER,CONTROL (3 LEVER)
PL1020058-04 LEVER,CONTROL (2 LEVER)
PL1030794-00 OPE.ASSY,ACCELERATOR
PL1250020-00 VALVE,CONTROL (2 LEVER)
PL1250021-00 VALVE,CONTROL (3 LEVER)
PL1250029-02 VALVE,CONTROL
PL1250031-00 VALVE,CONTROL
PL5030001-03 LAMP ASSY,AML
PL5030006-00 LAMP ASSY,AML (LED)
PL5190001-01 LEVER ASSY (3-LEVER)
PL5190002-01 LEVER ASSY (2-LEVER)
PL5190003-00 LEVER ASSY (ELE.,TELE.REPLACE KNOB/TDN)
PL5260032-00 LOAD CHART BOOKLET
PM1020001-00 DISTRIBUTOR
PM1050024-04 CENTRAL LUBRICATION SYSTEM
PM1050034-03 CENTRAL LUBRICATION SYSTEM
PM1050035-01 CENTRAL LUBRICATION SYSTEM
PM5020002-00 MARKING (BOOM)
PN1012621-03 ELEC.ASSY (UPPER)
PN1012622-06 ELEC.ASSY (LOWER,X-O/R)
PN1014123-04 ELEC.ASSY (LOWER,X-O/R)
PN1040009-00 METER,COMBINATION
PN1040019-00 METER,COMBINATION
PN1050186-04 ELECTRICAL PARTS,CAB
PN1080161-03 LAMP
PN1080318-00 LAMP (COMBINATION,R)
PN1080319-00 LAMP (COMBINATION,L)
PN1080431-01 LAMP (COMBINATION)
PN1110255-03 RELAY ASSY (LOWER)

GR-120N-1-00111 12T,X,WINCH(W/O FREE-FALL),JIB(PT)

PN1110258-03 RELAY ASSY (CAB)
PN1110458-01 RELAY ASSY
PN1200028-00 TRANSMITTER, MULTI.DATA (UPPER/SIC)
PN1200029-00 TRANSMITTER, MULTI.DATA (LOWER/SIC)
PN1200030-00 TRANSMITTER, MULTI.DATA (UPPER,RYUSYO)
PN1200031-00 TRANSMITTER, MULTI.DATA (LOWER,RYUSYO)
PN1210005-00 TRANSMITTER,SIGNAL (POWER TILT JIB)
PN1210132-00 TRANSMITTER,SIGNAL
PN1350094-00 REEL,CORD(POWER TILT)
PN1350129-00 REEL,CORD
PN1370089-02 BATTERY INSTALLATION
PN1370150-00 BATTERY (GLOBAL & YUASA/95E41R)
PN1370151-00 BATTERY (MATSUSHITA/95E41R)
PN1370152-00 BATTERY (MATSUSHITA/100E41R)
PN5010009-01 NAME PLATE ASSY (COLLECTION OF CFC)
PO1012369-02 PLATE ASSY,NAME (LOW NOISE,EXHAUST GAS)
PO1013280-04 PLATE ASSY,NAME (UPPER,1)
PO1013285-01 PLATE ASSY,NAME (LOWER)
PO1013300-05 PLATE ASSY,NAME (UPPER,2)
PO1013309-01 PLATE ASSY,NAME (OIL)
PO1013581-01 PLATE ASSY,NAME (LOW NOISE,EXHAUST GAS)
PO1014823-02 PLATE ASSY,NAME (LLC FOR COLD DISTRICT)
PO1020001-00 PLATE,NAME (AML)
PO1030001-00 TADANO (CAB,BLUE/BLACK)
PO1030002-00 TADANO (CAB,WHITE/WHITE)
PO1030003-00 TADANO (CAB,BLUE/WHITE)
PO1040025-00 CREVO (YELLOW/SILVER)
PO1040026-00 CREVO (CHARCOAL/CHARCOAL)
PO1050079-00 MARKING (X-O/R)
PO1080001-02 PLATE,NAME (LOW NOISE MARK)
PO1080062-01 PLATE,NAME (EMISSION CONTROL STANDARD)
PO1080062-01 PLATE,NAME (EMISSION CONTROL STANDARD)
PO1090002-01 NON-SLIP PLATE
PO5080006-02 OPE.ASSY,CONT.VALVE (ISO:MAIN,AUX.PEDAL)
PO5080092-00 OPE.ASSY,CONT.VALVE
PP5120003-00 PARTS ASSY,GREASE (UPPER)
PP5240001-00 PLATE,NAME (STD OPERATION MARK)
PP5240012-00 PLATE,NAME
PQ1010001-01 ENGINE
PQ1020068-06 RADIATOR INSTALLATION
PQ1040044-00 EXHAUST
PQ1060033-01 AIR INTAKE INSTALLATION
PQ1070038-01 CLEANER,AIR
PQ1090075-00 TANK,FUEL INSTALLATION
PQ1100011-02 TANK,FUEL (200L)
PQ1140093-00 POWER TRAIN
PR1010015-00 OPERATION SYSTEM, TRANSMISSION
PR1100030-02 TORQUE CONVERTER
PR1120016-01 CIRCUIT,TORQUE CONVERTER
PR1130012-00 MISSION,TORQUE CONVERTER
PR1200004-00 P.T.O.CLUTCH INSTALLATION T/C
PR1400027-00 TRANSMISSION
PR1400034-00 TRANSMISSION
PR1420009-00 CLUTCH PACK, TRANSMISSION(R)
PR1420010-00 CLUTCH PACK, TRANSMISSION (F1.F3,F2.F4)
PR1420012-00 CLUTCH PACK, TRANSMISSION (HI,LO)
PR1520018-01 VALVE,SOLENOID (TRANSMISSION)

GR-120N-1-00111 12T,X,WINCH(W/O FREE-FALL),JIB(PT)

PR1520019-01 VALVE,SOLENOID (TRANSMISSION)
PR1520023-01 VALVE,SOLENOID (TRANSMISSION)
PR1600015-00 PROPELLER SHAFT,DRIVING
PR1600015-00 PROPELLER SHAFT,DRIVING
PR1600015-00 PROPELLER SHAFT,DRIVING
PR1620086-06 AXLE,DRIVING (FRONT)
PR1620087-04 AXLE,DRIVING (REAR)
PR1620088-04 AXLE,DRIVING (REAR,NO-SPIN)
PR1700061-03 PIPING,CONVERTER
PR1740064-01 SPEED METER SYSTEM (YAZAKI,SG18-100W)
PR1800015-00 TIRE (B.S)
PR1800015-00 TIRE (B.S)
PR1800016-00 TIRE (DUNLOP)
PR1800016-00 TIRE (DUNLOP)
PR1820012-00 WHEEL,TIRE (TOPY WITH VALVE,AIR)
PR1820018-00 WHEEL,TIRE (MINEBEA,WITH VALVE)
PR2150016-00 TIRE & WHEEL (275/80:BS.+MINEBE)
PR2150017-00 TIRE & WHEEL (275/80:BS.+TOPY,M810)
PR2150018-00 TIRE & WHEEL (275/80:DUNLOP+TOPY)
PR2150053-00 TIRE & WHEEL (275/80:BS.+TOPY,W990A)
PR5170001-00 ROPE,WIRE (TESAC)
PR5170001-00 ROPE,WIRE (TESAC)
PR5170002-00 ROPE,WIRE (KISWIRE)
PR5170002-00 ROPE,WIRE (KISWIRE)
PS1010025-03 OPE.ASSY,STEERING (WHEEL)
PS1010045-02 OPE.ASSY,STEERING (WHEEL)
PS1020001-02 WHEEL,STEERING
PS1020007-00 WHEEL,STEERING
PS1150001-00 SHAFT,STEERING
PS1150004-01 SHAFT,STEERING
PS1150007-00 SHAFT,STEERING
PS1200132-00 PIPING,STEERING (CAB)
PS1200133-01 PIPING,STEERING (UPPER)
PS1200134-02 PIPING,STEERING (LOWER)
PS1340002-00 ORBITROL
PS1350031-04 CYLINDER,STEERING INSTALLATION
PS1360041-02 CYLINDER,STEERING
PS1360065-00 CYLINDER,STEERING
PS1400008-00 VALVE,PRIORITY
PS5050004-00 SEAT ASSY
PS5250002-00 SOCKET ASSY,ROPE (MAIN)
PS5250003-00 SOCKET ASSY,ROPE (AUX.)
PS5280001-00 SPEAKER ASSY
PS5420013-02 SUPPORT ASSY (ELECTRIC STOWING MIRROR ADMIRATION STAND)
PS5500003-00 SWING ASSY
PS5530015-01 SWITCH ASSY (CRANE OPE.FOR REMOCON VALVE)
PS5540001-00 SWITCH (OVER WIND/BOOM)
PS5540002-00 SWITCH (OVER WIND/BOOM)
PS5540004-00 SWITCH (OVER WIND/JIB & SINGLE TOP)
PS5540005-00 SWITCH (OVER WIND/JIB & SINGLE TOP)
PS5540007-00 SWITCH (OVER WIND/JIB & SINGLE TOP)
PT1010041-01 OPE.ASSY,SERVICE BRAKE
PT1100001-00 CHAMBER,SPRING
PT1200092-02 PIPING,BRAKE
PT1220055-01 PIPING,AIR
PT1240004-01 VALVE,BRAKE
PT1280001-01 VALVE,REDUCING

GR-120N-1-00111 12T,X,WINCH(W/O FREE-FALL),JIB(PT)

PT1420009-00 BOOSTER
PT1430010-00 DRIER,AIR
PT5130001-01 TELESCOPE ASSY
PT5160001-00 TOOL ASSY
PU1010006-00 SPRING,LEAF
PU1050036-00 CYLINDER,SPRING LOCK(FRONT)
PU1050037-00 CYLINDER,SPRING LOCK(REAR)
PU1050038-01 CYLINDER,SPRING LOCK(FRONT)
PU1050039-01 CYLINDER,SPRING LOCK(REAR)
PU1100051-01 MOUNT,SUSPENSION
PW1010409-00 ACCESSORIES
PX1030404-05 FENDER
PX1030636-01 FENDER
PX1050099-01 ROOM,ENGINE
PX1050100-00 ROOM,ENGINE (UNDER COVER)
PX1100244-00 TANK SUPPORT (BAND)
PX1120394-01 BOOM REST
PX1160052-00 ATTACHMENT PARTS,SWING BEARING
PX1160054-00 ATTACHMENT PARTS,SWING BEARING
PX1160074-00 ATTACHMENT PARTS, SWING BEARING
PX1240003-02 SUPPORT ASSY (RIGHT MIRROR)
PX1240015-00 MIRROR
PX1240016-01 MIRROR
PX1270110-01 WOOD BLOCK (MOUNT)
PX1350462-01 BOX,TOOL (MOUNT)
PX1360023-00 REFLECTOR (REAR)
PX1360035-00 REFLECTOR (BOOM,TOP)
PX1810091-01 MOUNT,SUPPORT(TANK,BOOM REST,WOOD BLOCK)
PX1940035-00 MOUNT (COOL BOX)
PX5010012-00 MOUNT ASSY (WELDED PARTS/BOOM,HEAD)
PX5010013-00 MOUNT ASSY (WELDED PARTS/BOOM,2ND)
PX5250001-01 MOUNT ASSY,COMPRESSOR
PX5250002-01 MOUNT ASSY,COMPRESSOR
PX5320001-01 MOUNT ASSY,EVAPORATOR
PX5440001-00 MOUNT ASSY,HOOK (HOOK-IN)
PY1030119-00 SINGLE TOP
PY1070010-00 ROPE (SAFETY,FOR X-O/R)
PY1070011-00 ROPE
PY1180176-03 LAMP (AML)
PY1180184-06 LAMP,AML
PY1180193-00 LAMP (INDICATOR,DRUM)(FAMOTH)
PY1180218-00 LAMP (INDICATOR,DRUM)(SIC)
PY1300011-00 COOLER,OIL
PY1350024-03 RADIO INSTALLATION
PY1360019-01 FAN
PY1370021-00 EVAPORATOR
PY1380057-01 COMPRESSOR
PY1380058-00 CONDENSER
PY1380063-02 COMPRESSOR
PY1430006-01 INFLATOR,AIR
PY2270030-00 AIR CONDITIONER
PY2270035-01 AIR CONDITIONER
PY2330004-00 TABLE,LUNCH
PY2360001-01 PUMP,WATER
PY5140001-01 AIR CONDITIONER ASSY (MOUNT)
PY5140002-01 AIR CONDITIONER ASSY
PZ0000000-00 LAMP ASSY

GR-120N-1-00111 12T,X,WINCH(W/O FREE-FALL),JIB(PT)

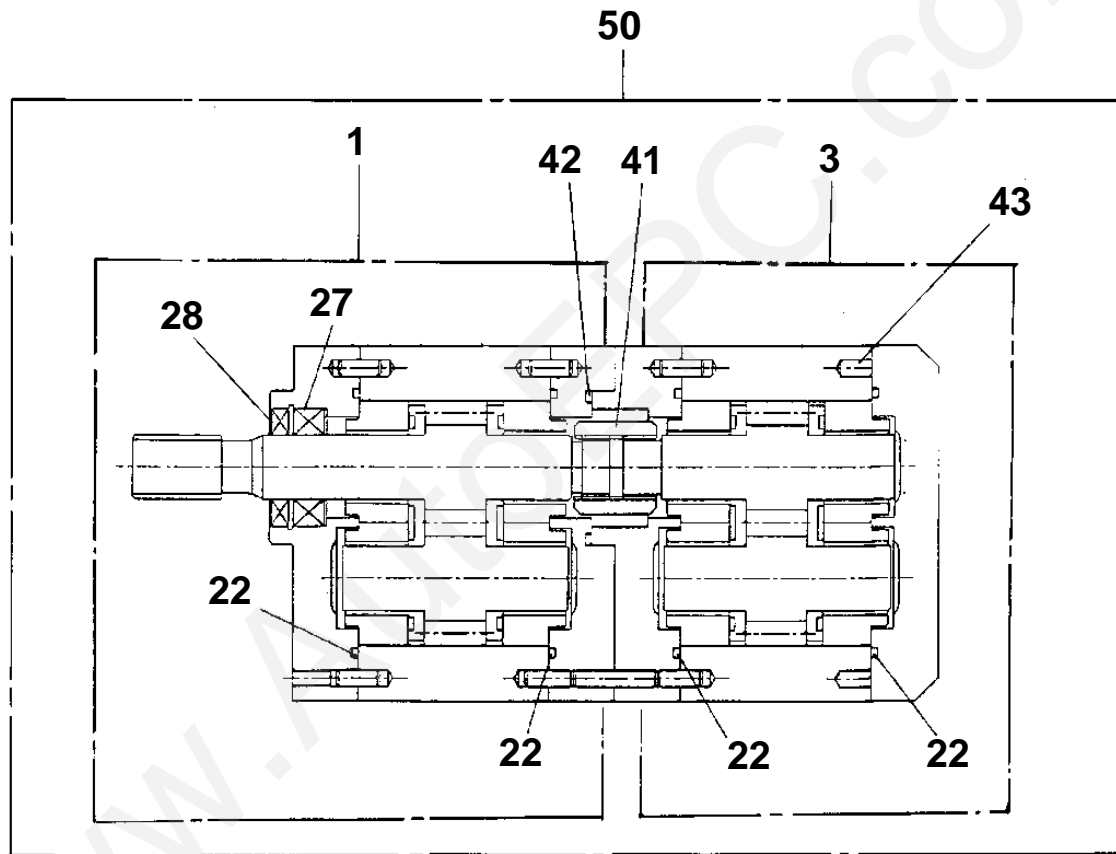
PZ000000-00 LAMP ASSY

PZ000000-00 LAMP ASSY

PZ000000-00 DETECTOR ASSY,LENGTH (BOOM)

www.AutoEPC.com

GR-120N-1-00111 12T,X,WINCH(W/O FREE-FALL),JIB(P
PB1100124-00 PUMP,HYDRAULIC

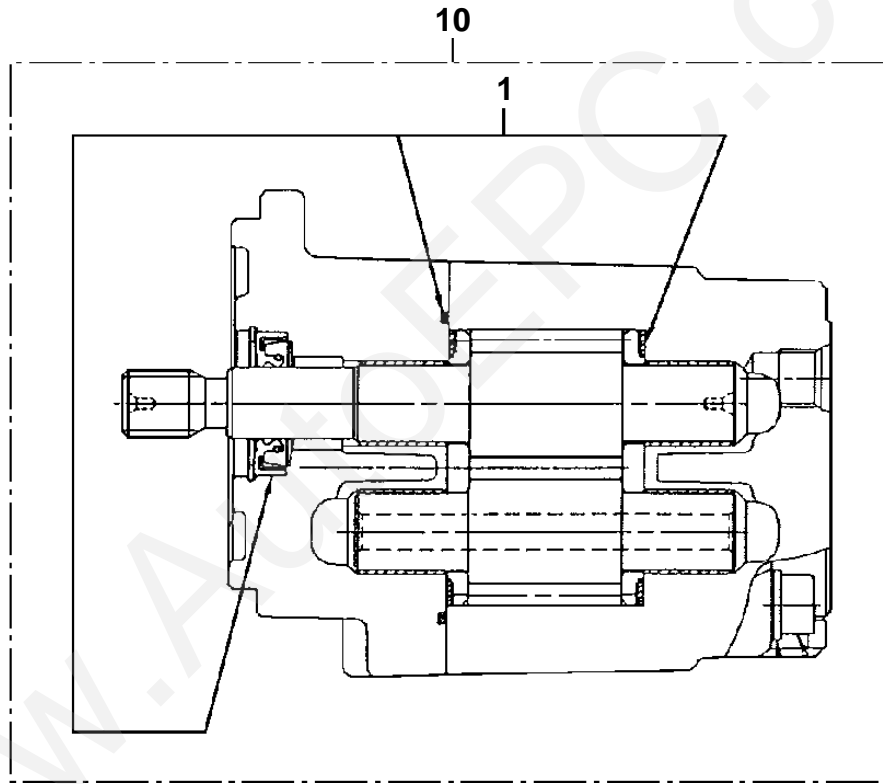


GR-120N-1-00111 12T,X,WINCH(W/O FREE-FALL),JIB(PT)

Pos No.	Parts No	Parts Name	Qty	Unit	Technical Data	Serial No (Start)	Serial No (End)	Remarks	Pages
1	36653175010	PUMP ASSY (NO.1)	1						
3	36653175020	PUMP ASSY (NO.2)	1						
22	91002907500	O-RING	4		1B G75				
27	36650495030	SEAL,OIL	1						
28	36653175030	SEAL,OIL	1						
41	36650495010	JOINT	1						
42	91002905000	O-RING	1		1B G50				
43	90131508030	BOLT,HEXAGON SOCKET	4		M8X30				
50	36653170000	PUMP,HYDRAULIC	1						

www.AutoEPC.com

GR-120N-1-00111 12T,X,WINCH(W/O FREE-FALL),JIB(P.T)
PB1100175-00 PUMP,HYDRAULIC (EMERGENCY STEERING)



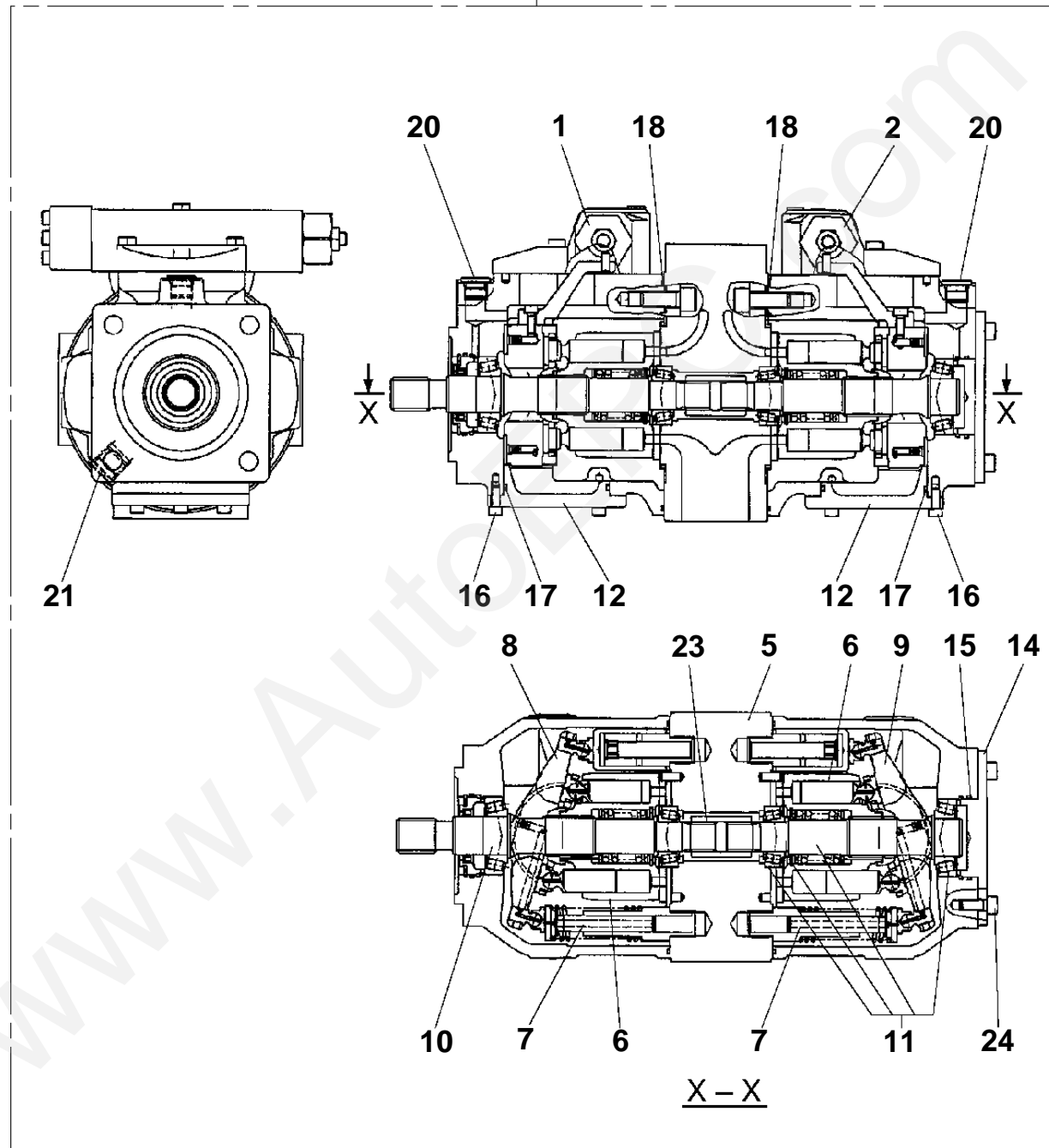
GR-120N-1-00111 12T,X,WINCH(W/O FREE-FALL),JIB(PT)

Pos No.	Parts No	Parts Name	Qty	Unit	Technical Data	Serial No (Start)	Serial No (End)	Remarks	Pages
1	36653525010	SEAL KIT	1						
10	36653520000	PUMP,HYDRAULIC (EMERGENCY STEERING)	1						

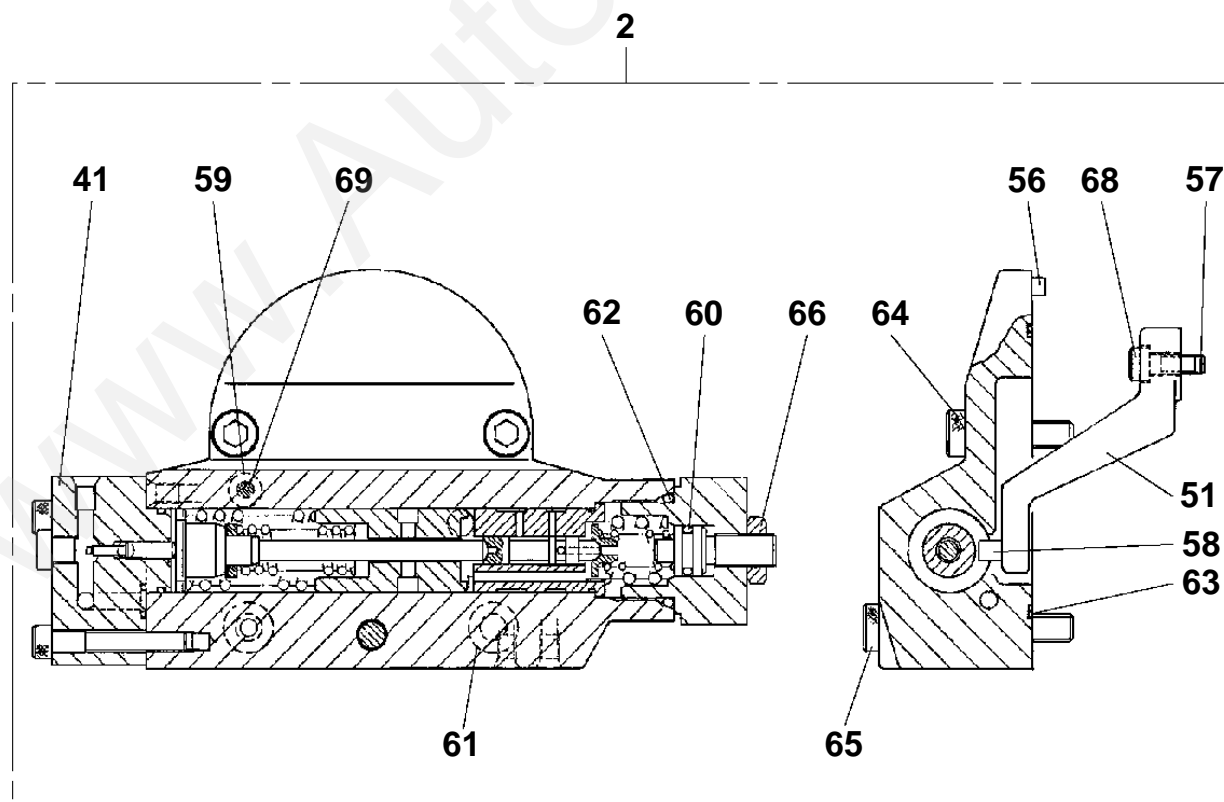
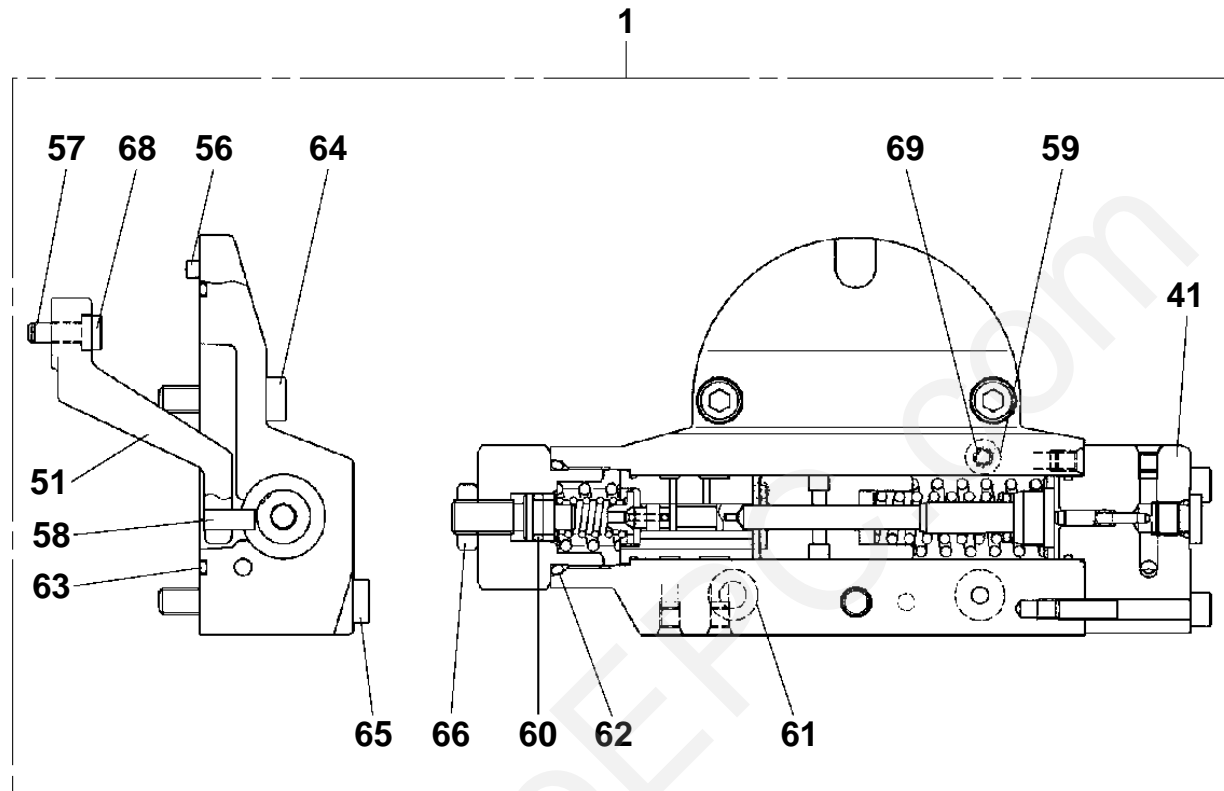
www.AutoEPC.com

GR-120N-1-00111 12T,X,WINCH(W/O FREE-FALL),JIB(P
PB1100206-00 PUMP,HYDRAULIC

300

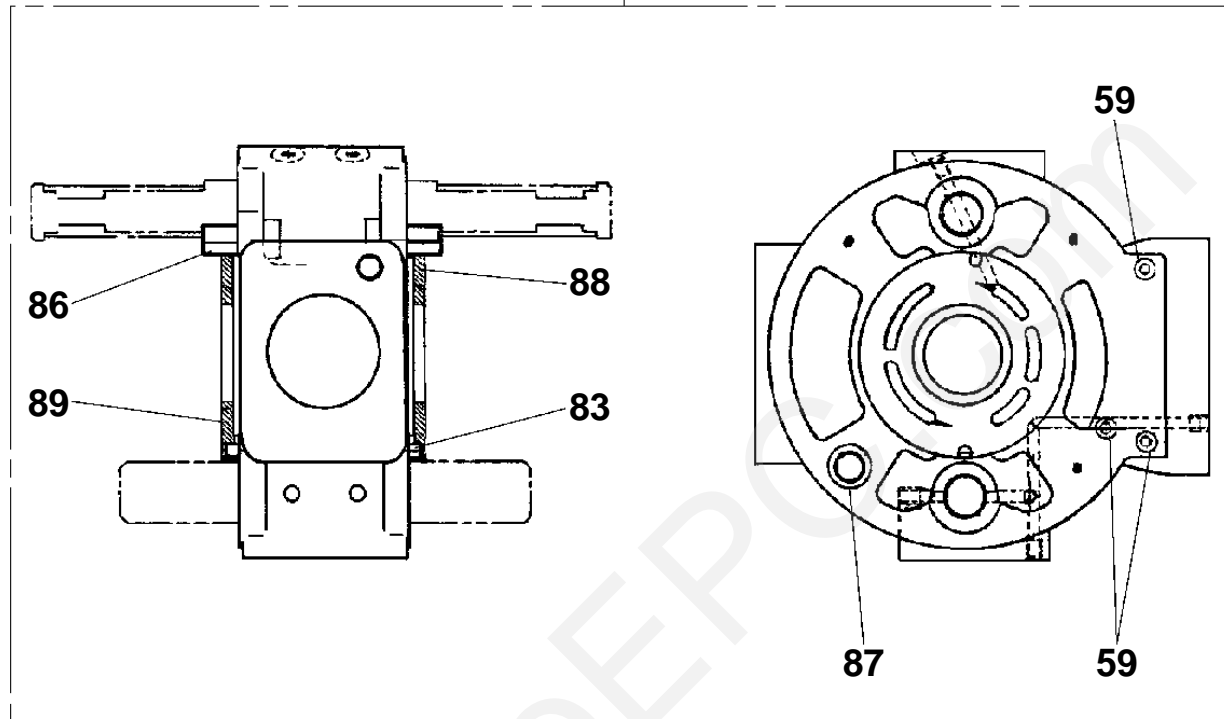


GR-120N-1-00111 12T,X,WINCH(W/O FREE-FALL),JIB(P
PB1100206-00 PUMP,HYDRAULIC

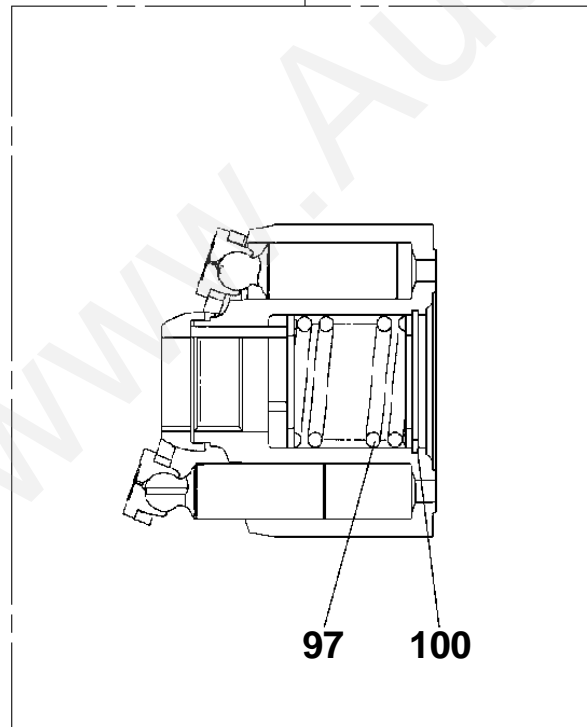


GR-120N-1-00111 12T,X,WINCH(W/O FREE-FALL),JIB(PT)
PB1100206-00 PUMP,HYDRAULIC

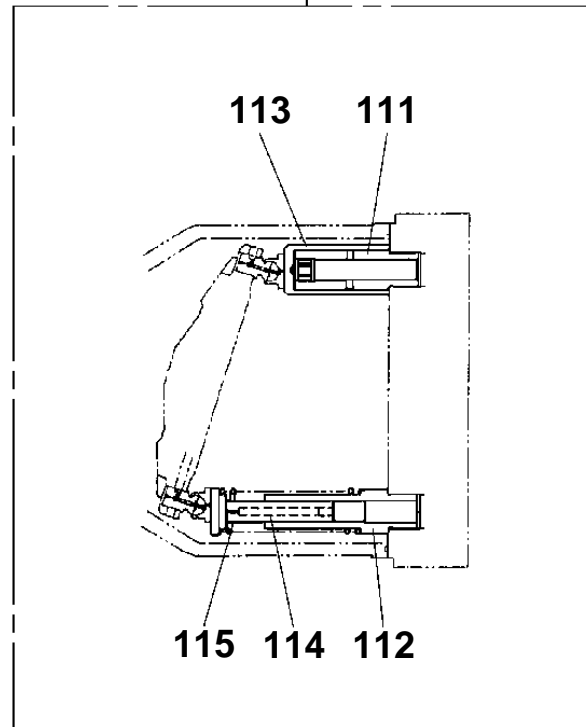
5



6

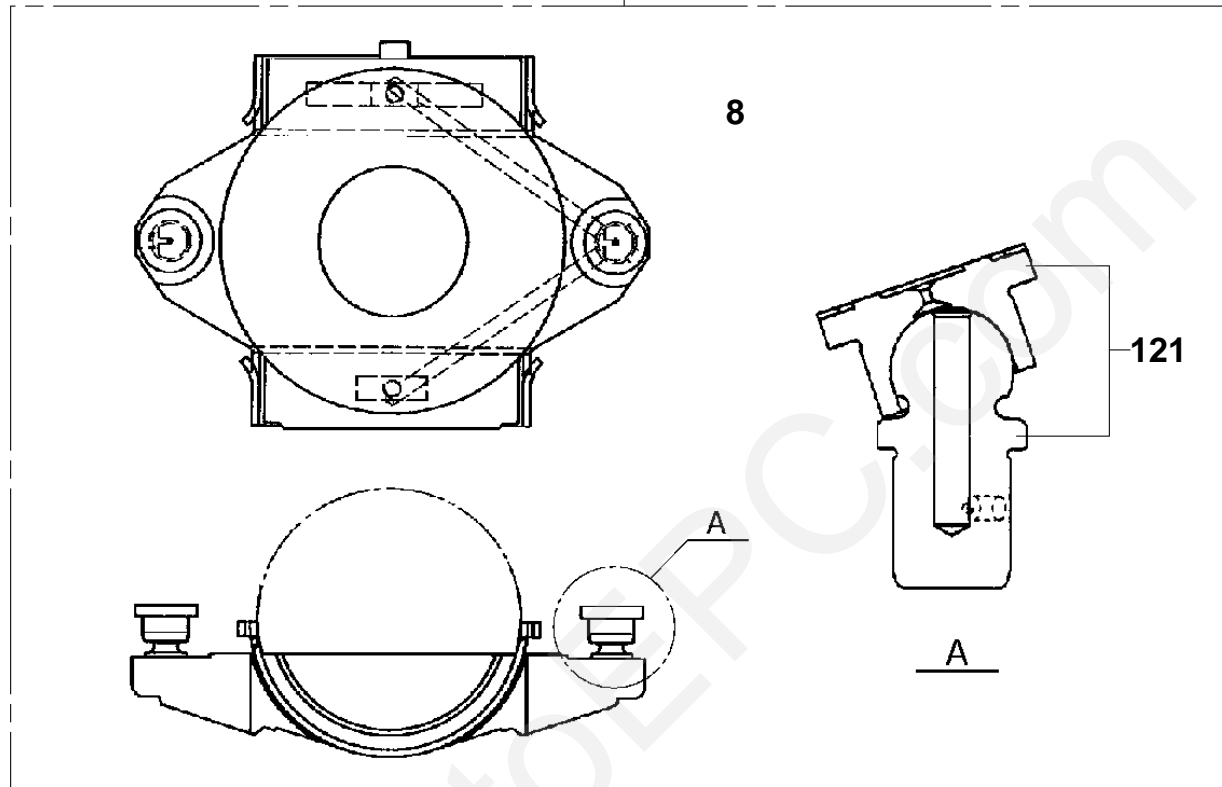


7

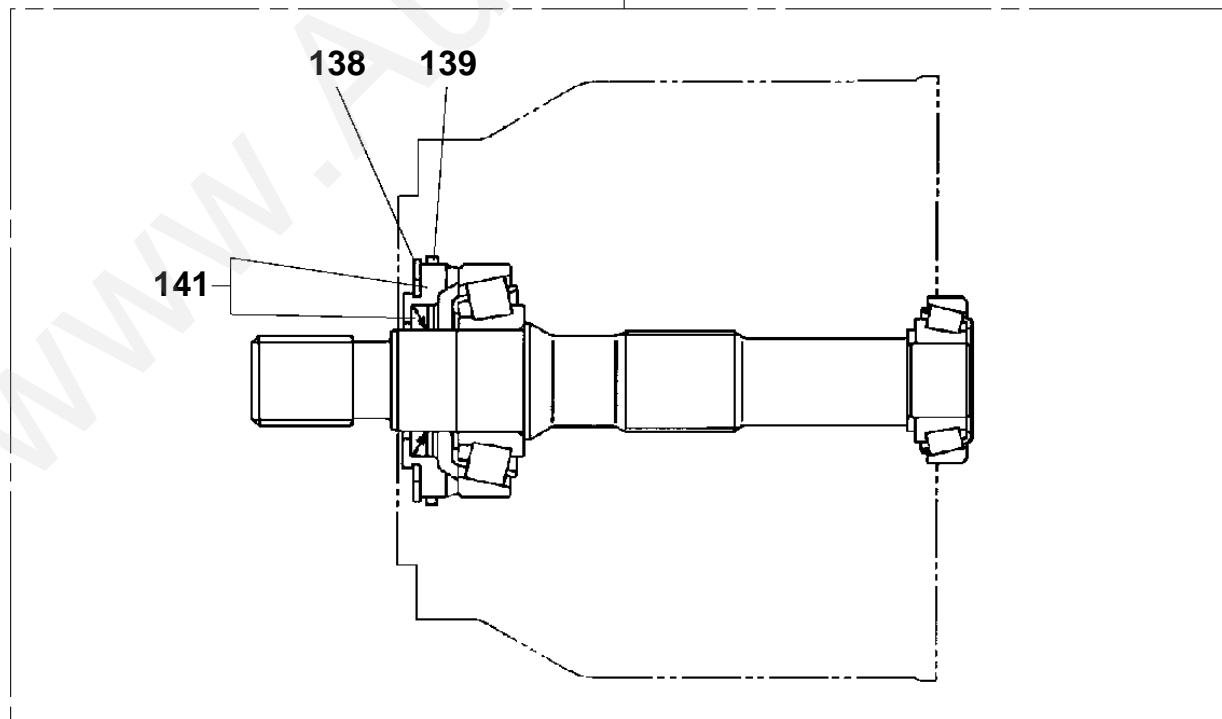


GR-120N-1-00111 12T,X,WINCH(W/O FREE-FALL),JIB(PT)
PB1100206-00 PUMP,HYDRAULIC

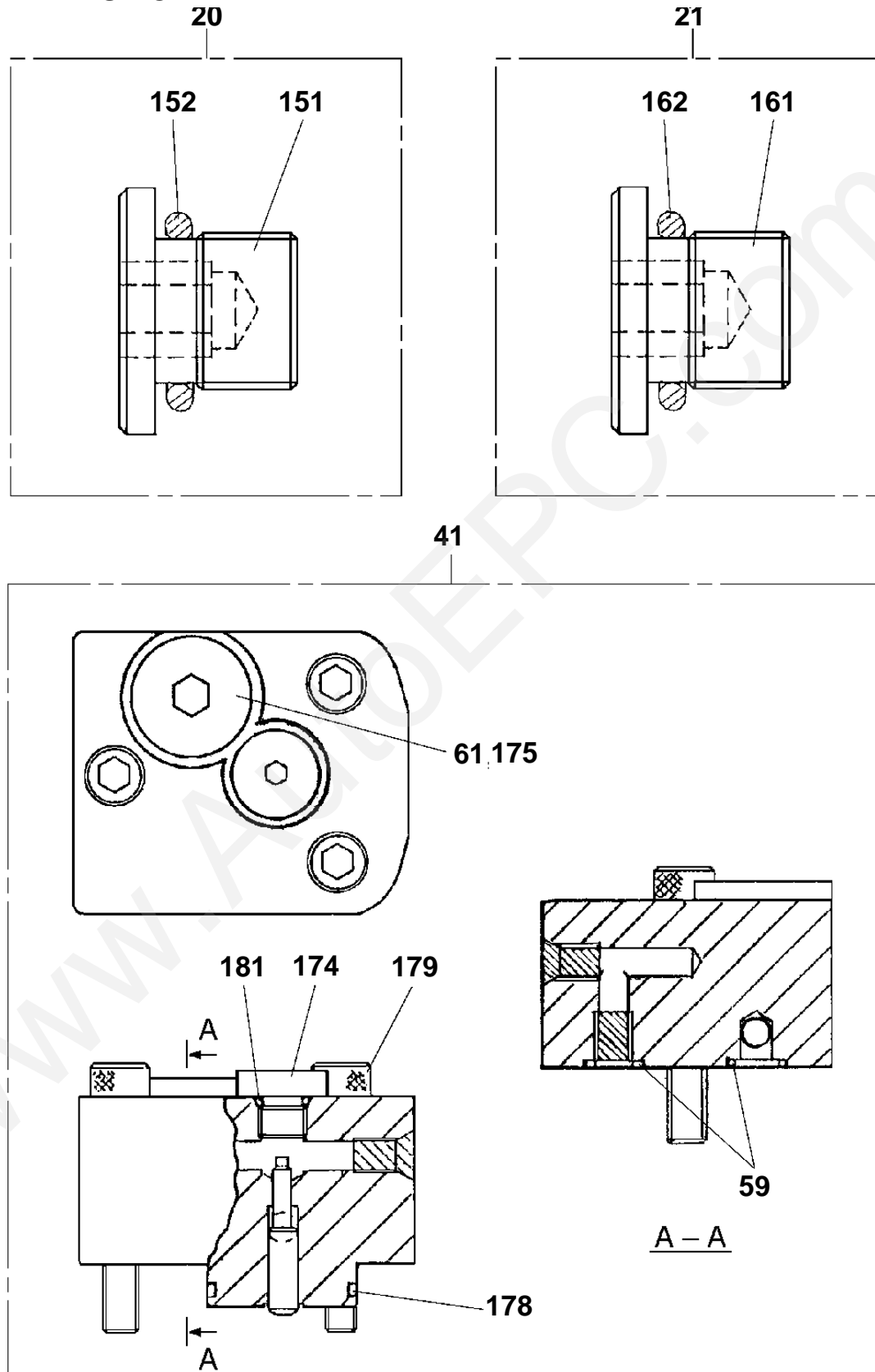
89



10



GR-120N-1-00111 12T,X,WINCH(W/O FREE-FALL),JIB(P
PB1100206-00 PUMP,HYDRAULIC



GR-120N-1-00111 12T,X,WINCH(W/O FREE-FALL),JIB(PT)

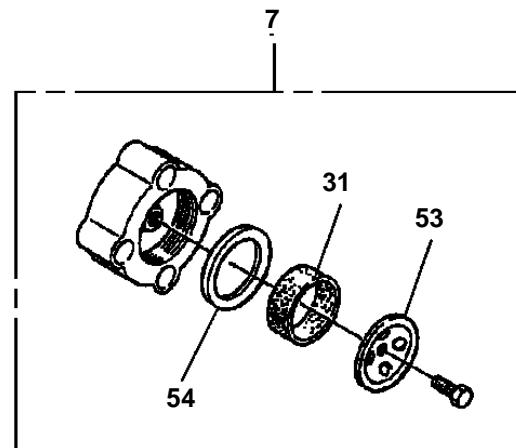
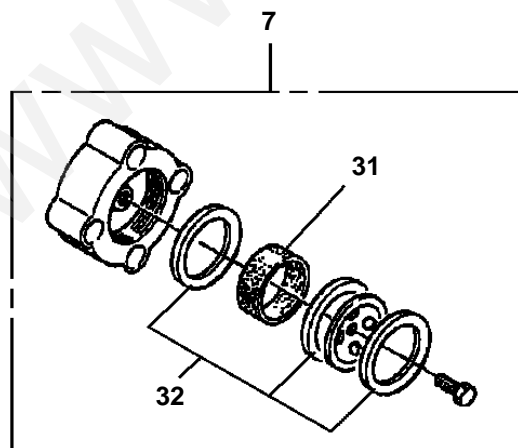
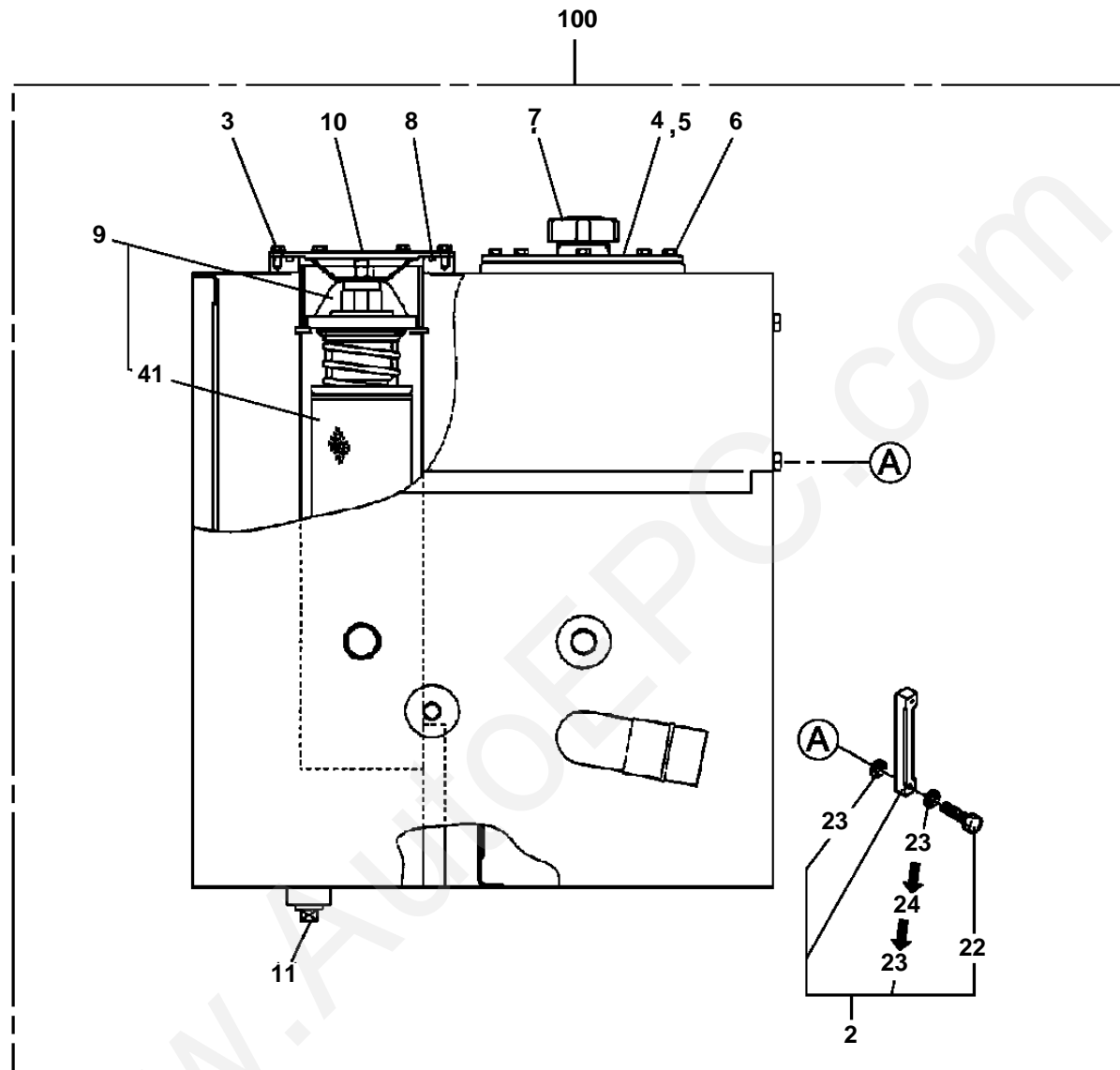
Pos No.	Parts No	Parts Name	Qty	Unit	Technical Data	Serial No (Start)	Serial No (End)	Remarks	Pages
1	36653685010	CONTROLLER ASSY	1						
2	36653685020	CONTROLLER ASSY	1						
5	36653685030	COVER ASSY	1						
6	36652555030	ROTARY ASSY	2						
7	36652555040	PISTON ASSY(CONTROL)	2						
8	36653685040	HANGER	1						
9	36653685050	HANGER	1						
10	36653685060	SHAFT ASSY	1						
11	36653685070	SHAFT ASSY	1						
12	36652555070	COVER	2						
14	36653685080	PLATE	1						
15	36652555260	O-RING	1						
16	90131906016	BOLT,HEXAGON SOCKET	6		M6X16				
17	91001207500	O-RING	2		1A G75				
18	36652055040	O-RING	2						
20	36653245060	PLUG ASSY	2						
21	36653245050	PLUG ASSY	1						
23	36652555080	COUPLING	1						
24	90131908020	BOLT,HEXAGON SOCKET	4		M8X20				
41	36653685090	COVER ASSY (REGULATOR)	2						
51	36653685100	ARM	2						
56	36653285260	PIN	4		5X10				
57	80720106012	PIN,SPRING	4		6X12				
58	36653285280	PIN	2		6X15				
59	91002800700	O-RING	12		1B P7				
60	91001101001	O-RING	2		1A P10A				
61	91002801100	O-RING	6		1B P11				
62	91002802800	O-RING	2		1B P28				
63	36651685090	O-RING	2						
64	90131908030	BOLT,HEXAGON SOCKET	4		M8X30				
65	90131908055	BOLT,HEXAGON SOCKET	2		M8X55				
66	36653285290	NUT	2						
68	90131906016	BOLT,HEXAGON SOCKET	2		M6X16				
69	36652615060	ORIFICE	2		0.8				
83	36653365320	PIN	2		6X14				
86	90131912030	BOLT,HEXAGON SOCKET	8		M12X30				
87	36632465390	O-RING	8						
88	36652555100	PLATE (CONTROL)	1						
89	36653685110	PLATE (CONTROL)	1						
97	36652555120	SPRING	2						
100	80602110400	RING,RITAINING	2		R40				
111	36652555130	PISTON (BIG)	2						
112	36652555140	CYLINDER (SMALL)	2						
113	36652555150	CYLINDER (BIG)	2						
114	36652555160	PISTON (SMALL)	2						
115	36652555170	SPRING	2						
121	36653685120	SUPPORT (PISTON)	4						
138	36652555250	RING,RETAINING	1		58				
139	36652555260	O-RING	1						
141	36653685130	SEAL KIT	1						
151	36651835130	PLUG	2		3/8				
152	91002801400	O-RING	2		1B P14				
161	36660595010	PLUG	1						
162	91002801800	O-RING	1		1B P18				
174	36600465060	PLUG	2		1/8				
175	36640015030	PLUG	2		1/4				

GR-120N-1-00111 12T,X,WINCH(W/O FREE-FALL),JIB(PT)

Pos No.	Parts No	Parts Name	Qty	Unit	Technical Data	Serial No (Start)	Serial No (End)	Remarks	Pages
178	36651685110	O-RING	2						
179	90131906040	BOLT,HEXAGON SOCKET	6		M6X40				
181	91002800800	O-RING	2		1B P8				
300	36653680000	PUMP,HYDRAULIC	1						

www.AutoEPC.com

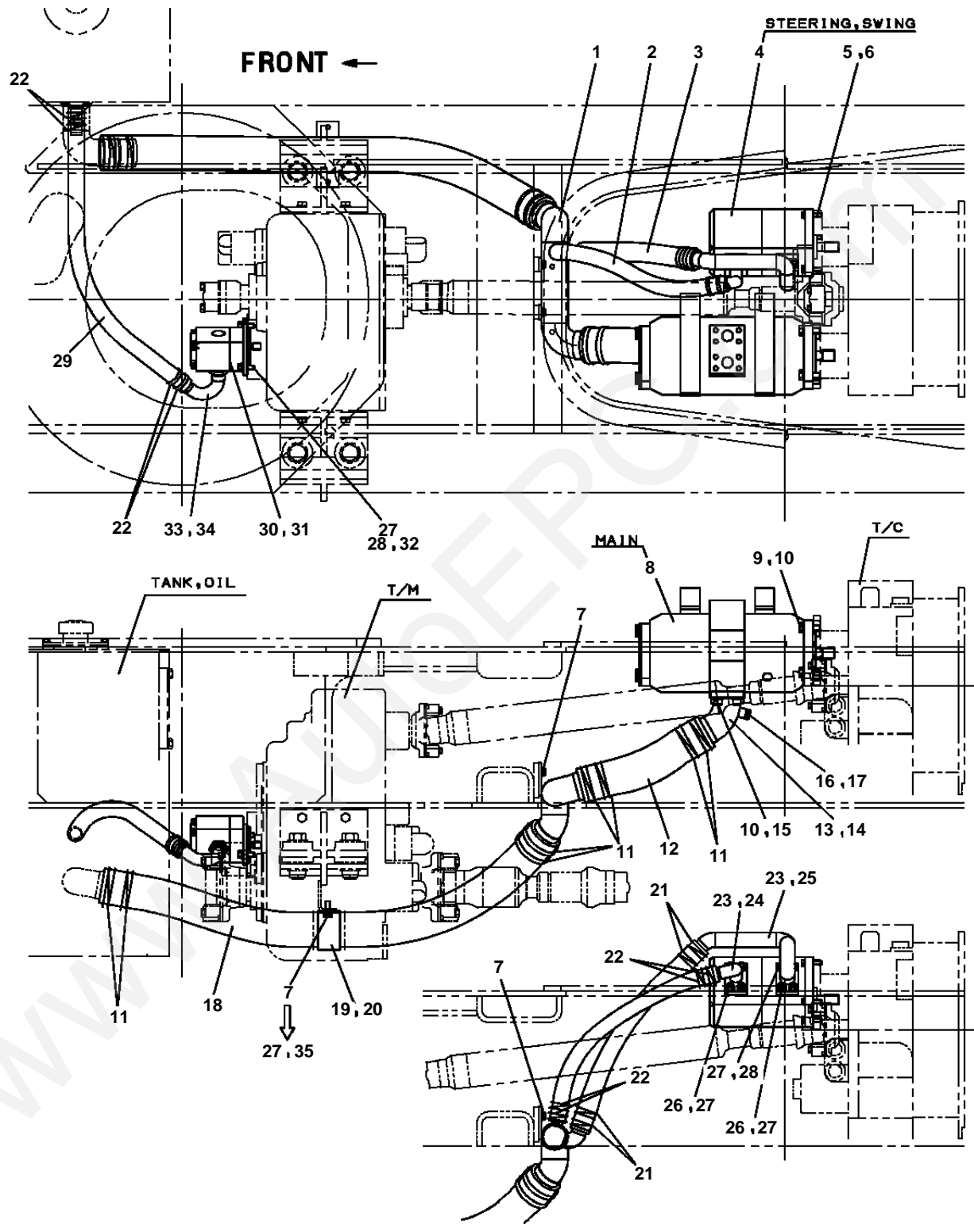
GR-120N-1-00111 12T,X,WINCH(W/O FREE-FALL),JIB(PT)
PB1130212-03 TANK,OIL



GR-120N-1-00111 12T,X,WINCH(W/O FREE-FALL),JIB(PT)

Pos No.	Parts No	Parts Name	Qty	Unit	Technical Data	Serial No (Start)	Serial No (End)	Remarks	Pages
2	34660181100	GAUGE,OIL	1						
3	99163008016	BOLT (M8X16)	6						
4	34660180040	PACKING	1		T=2.0				
5	34660180030	COVER	1						
6	99164008020	BOLT (M8X20)	8						
7	53156005000	BREATHER ASSY (OB-10T)	1						
8	91001216000	O-RING	1		1A G160				
9	36671590000	FILTER,OIL	1						
10	36100965020	COVER	1						
11	80205001000	PLUG	1		PT1				
22	33660005040	BOLT	2		M12X35X1.75		FD0281		
	33660007530	BOLT	2			FD0282			
23	34660131140	PACKING	4				FD0215		
	34660131140	PACKING	2			FD0216	FD0281		
	34660131140	PACKING	4			FD0282			
24	34660131150	PACKING	2			FD0216	FD0281		
31	53156005010	ELEMENT (OB-10T & OB-10B)	1				FD1019		
	53156005011	ELEMENT	1			FD1020			
32	53156005020	PACKING SET	1				FD0879		
41	36671310050	ELEMENT	1						
53	53156005030	PLATE (WITH PACKING)	1			FD0880			
54	53156005040	PACKING	1			FD0880			
100	34660330000	TANK,OIL	1						

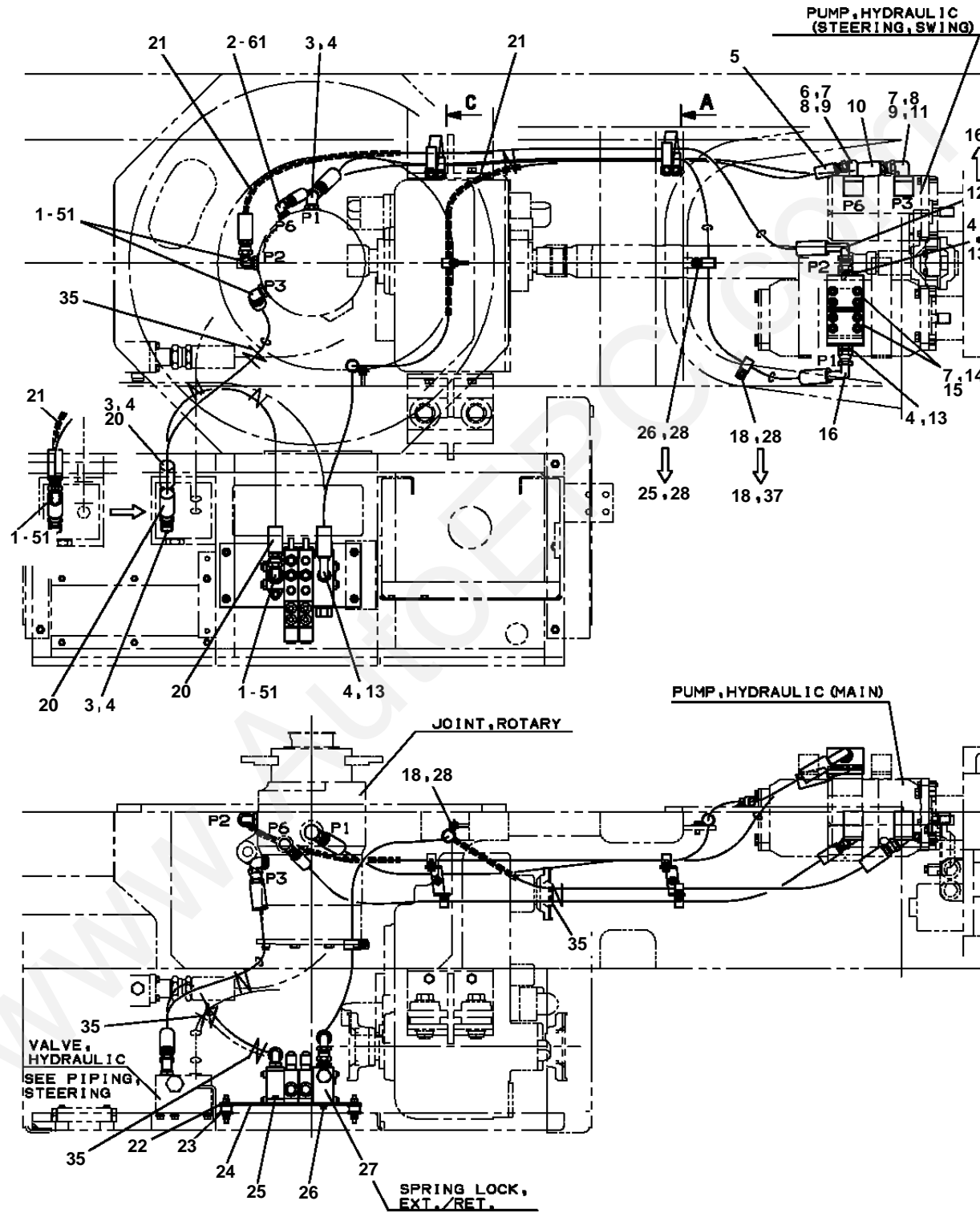
GR-120N-1-00111 12T,X,WINCH(W/O FREE-FALL),JIB(P.T)
PB1200150-01 PIPING,SUCTION



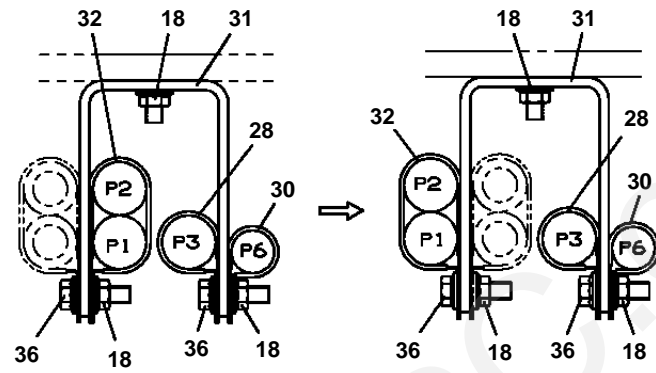
GR-120N-1-00111 12T,X,WINCH(W/O FREE-FALL),JIB(PT)

Pos No.	Parts No	Parts Name	Qty	Unit	Technical Data	Serial No (Start)	Serial No (End)	Remarks	Pages
1	34640971100	JOINT	1						
2	37002509360	HOSE	1		L=550				
3	37002502620	HOSE	1		L=500				
4	36653170000	PUMP,HYDRAULIC	1						000022
5	90101508040	BOLT	4		M8X40				
6	90302040801	WASHER,SPRING	4		8				
7	90186210014	BOLT,FLANGE	4		M10X14		FD0568		
	90186210014	BOLT,FLANGE	2		M10X14	FD0569			
8	36653680000	PUMP,HYDRAULIC	1						000024
9	90101512040	BOLT	4		M12X40				
10	90302041201	WASHER,SPRING	8		12				
11	91803600900	CLIP	8		D=70-90				
12	37002502400	HOSE	1		L=335				
13	34640971200	FITTING,FLANGE	1						
14	91002906000	O-RING	1		1B G60				
15	90172112030	BOLT,HEXAGON SOCKET	4		M12X30				
16	80316070040	PLUG	1		PF1/4				
17	91002801100	O-RING	1		1B P11				
18	37002508050	HOSE	1		L=1150				
19	37000600650	CLAMP	1		R=42				
20	34640551010	CUSHION	1						
21	91803600500	CLIP	4		D=35-50				
22	91803600400	CLIP	8		D=27-40				
23	91002903000	O-RING	2		1B G30				
24	34640701400	FITTING,FLANGE	1						
25	34640971300	FITTING,FLANGE	1						
26	90172110030	BOLT,HEXAGON SOCKET	6		M10X30				
27	90302041001	WASHER,SPRING	10		10		FD0568		
	90302041001	WASHER,SPRING	12		10	FD0569			
28	90191510030	BOLT	4		M10X30				
29	37002504010	HOSE	1		L=750				
30	36653520000	PUMP,HYDRAULIC (EMERGENCY STEERING)	1						000023
31	34640271700	GASKET	1						
32	90303071001	WASHER,PLAIN	2		10				
33	91002802400	O-RING	1		1B P24				
34	34640731700	JOINT	1						
35	90101210030	BOLT	2		M10X30	FD0569			

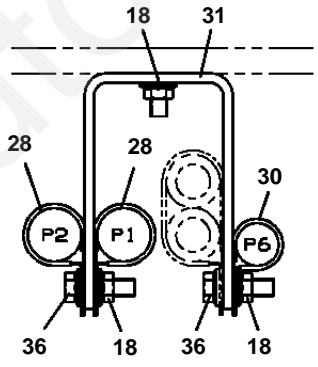
GR-120N-1-00111 12T,X,WINCH(W/O FREE-FALL),JIB(P.T)
PB1220175-01 PIPING,DELIVERY



GR-120N-1-00111 12T,X,WINCH(W/O FREE-FALL),JIB(P.T)
PB1220175-01 PIPING,DELIVERY



A

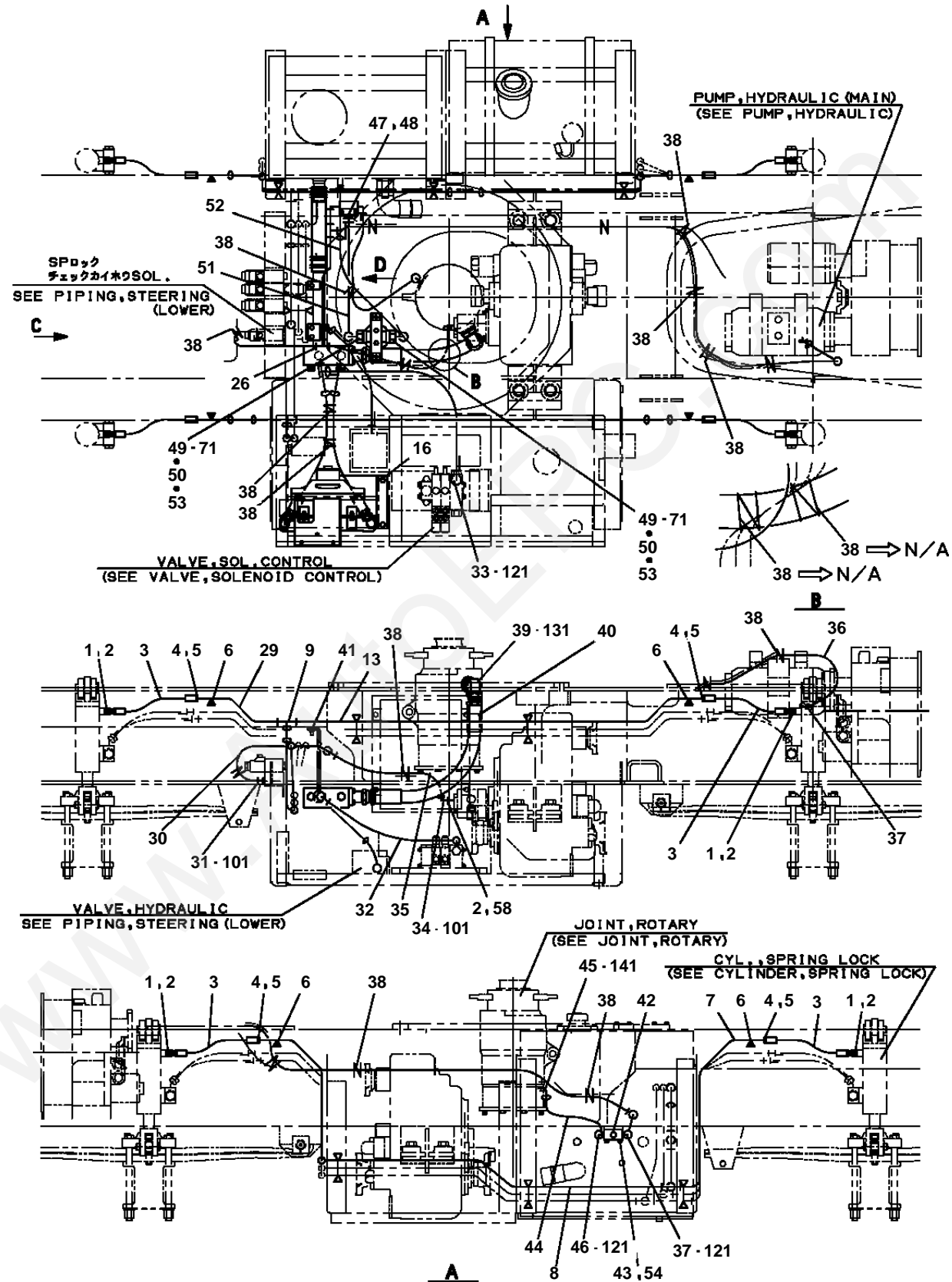


C

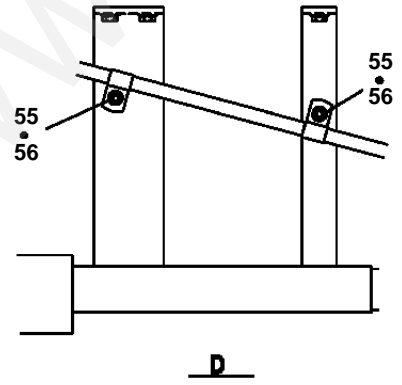
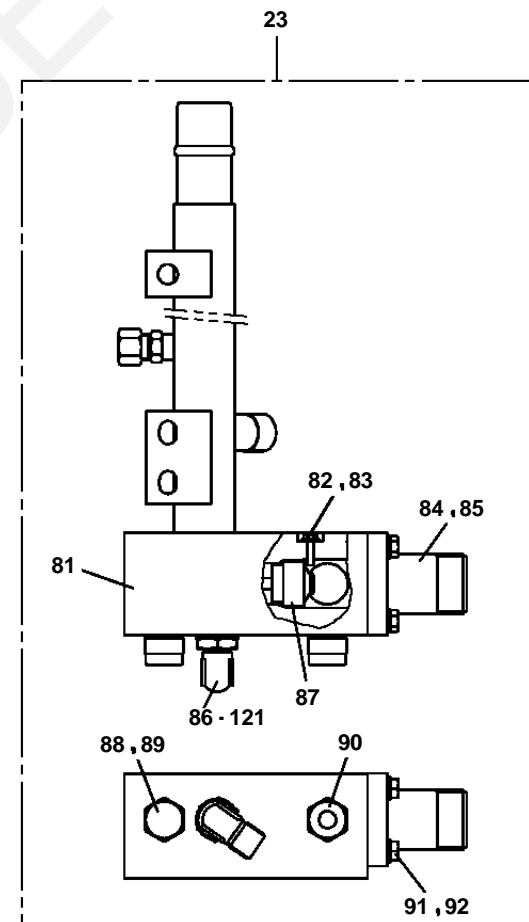
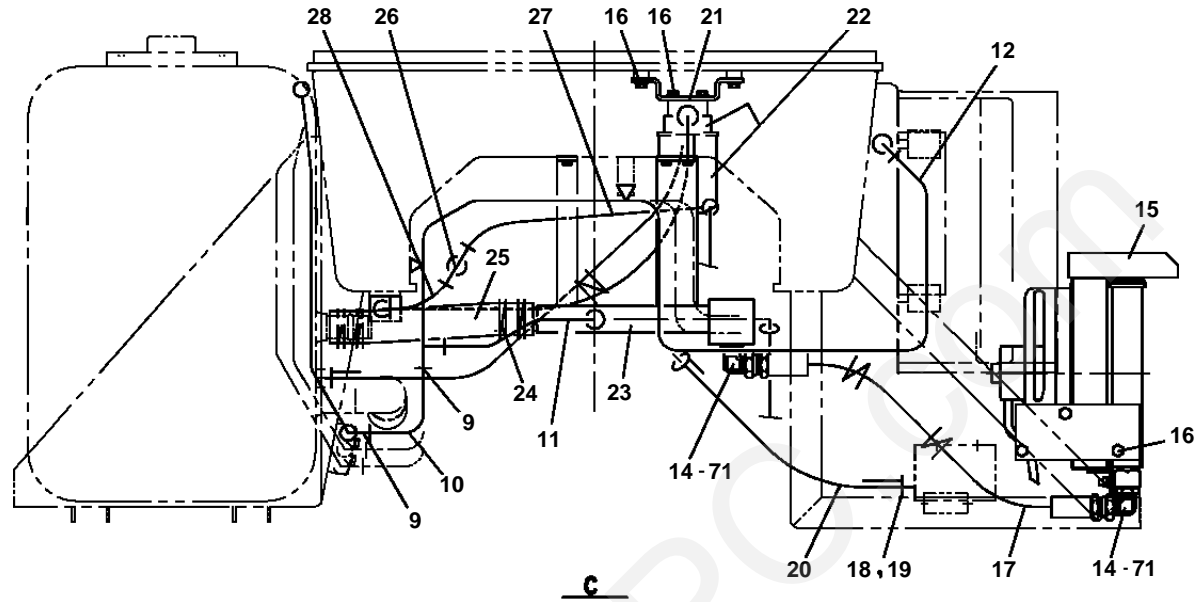
GR-120N-1-00111 12T,X,WINCH(W/O FREE-FALL),JIB(PT)

Pos No.	Parts No	Parts Name	Qty	Unit	Technical Data	Serial No (Start)	Serial No (End)	Remarks	Pages
1	80430620800	JOINT	3						
2	80430620600	JOINT (WITH O-RING)	1		L,G3/8-G3/8				
3	80471020504	JOINT	3		HL205-04				
4	91002801800	O-RING	6		1B P18				
5	37002466410	HOSE	1		L=1400				
6	37000921630	FITTING,FLANGE	1						
7	91002903000	O-RING	4		1B G30				
8	90172110030	BOLT,HEXAGON SOCKET	8		M10X30				
9	90302041001	WASHER,SPRING	8		10				
10	37002459770	HOSE	1		L=2400				
11	37000925130	FITTING,FLANGE	1						
12	37002469700	HOSE	1		L=1800		FD0064		
13	80400160131	JOINT	3						
14	34640974200	JOINT	2						
15	90172110045	BOLT,HEXAGON SOCKET	8		M10X45				
16	37002469710	HOSE	1		L=1720		FD0064		
18	37002469710	HOSE	2		L=1720	FD0065			
20	90280200800	NUT,FLANGE	11		M8				
20	37002446970	HOSE	2		L=850				
21	82100001819	TUBE,SPIRAL	1	M	SE-18BK				
22	90303070801	WASHER,PLAIN	4		8				
23	34471141300	CUSHION	4						
24	34640974100	SUPPORT	1		150XT4.5				
25	90186208020	BOLT,FLANGE	3		M8X20				
26	90186208014	BOLT,FLANGE	1		M8X14				
27	36648610000	VALVE,SOLENOID CONTROL	1						000036
28	82100002016	CLAMP	5		WR25		FD0981		
	82100002016	CLAMP	7		WR25	FD0982			
30	82100002015	CLAMP	2		WRC20				
31	34640704100	SUPPORT	2						
32	82100002045	CLAMP	2		WE28		FD0981		
	82100002045	CLAMP	1		WE28	FD0982			
35	91810132530	FASTENER	4						
36	90186208025	BOLT,FLANGE	4		M8X25				
37	82100002017	CLAMP	1		WR30				
51	91002801800	O-RING	3		1B P18				
61	91002801400	O-RING	1		1B P14				

GR-120N-1-00111 12T,X,WINCH(W/O FREE-FALL),JIB(P.T)
 PB1240152-02 PIPING,LOWER RETURN



GR-120N-1-00111 12T,X,WINCH(W/O FREE-FALL),JIB(P.T)
PB1240152-02 PIPING,LOWER RETURN



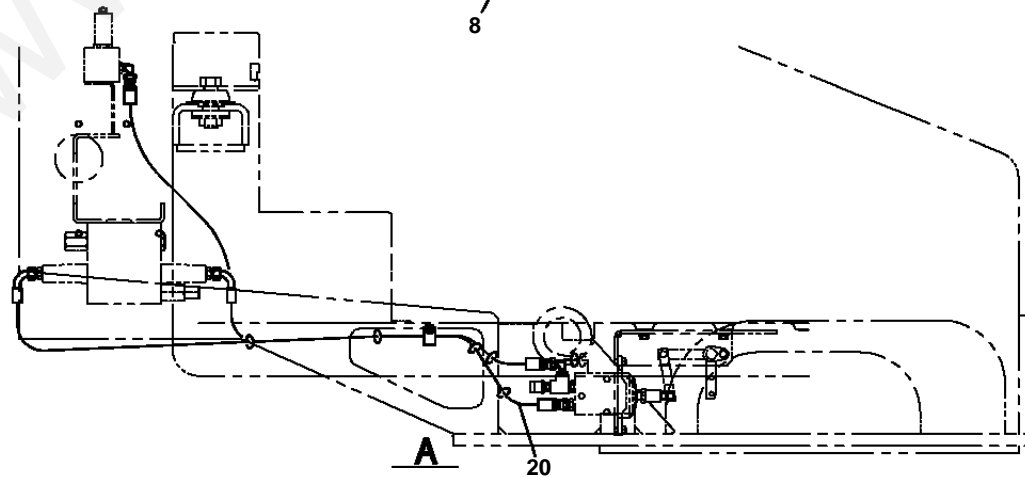
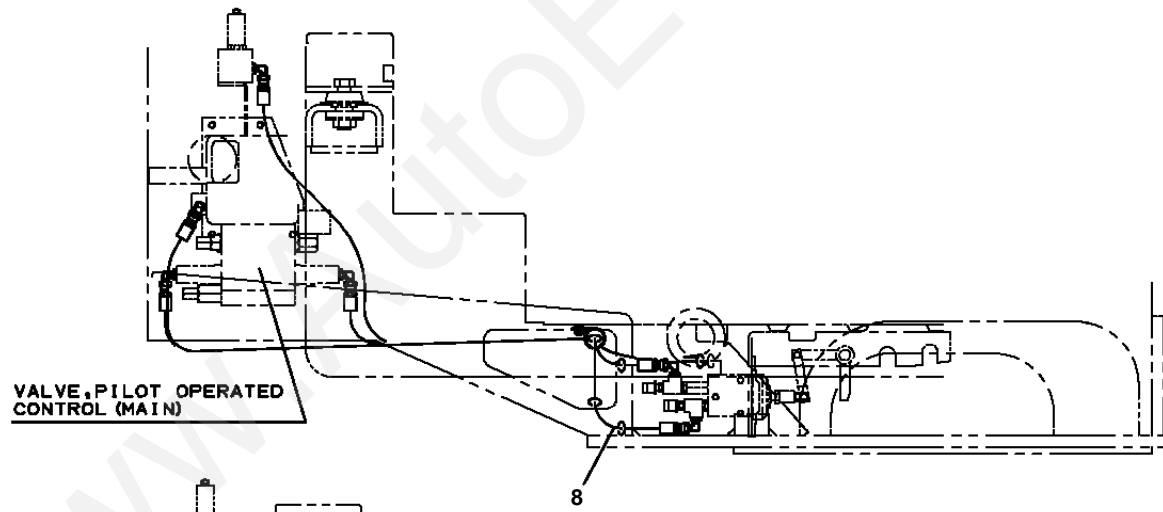
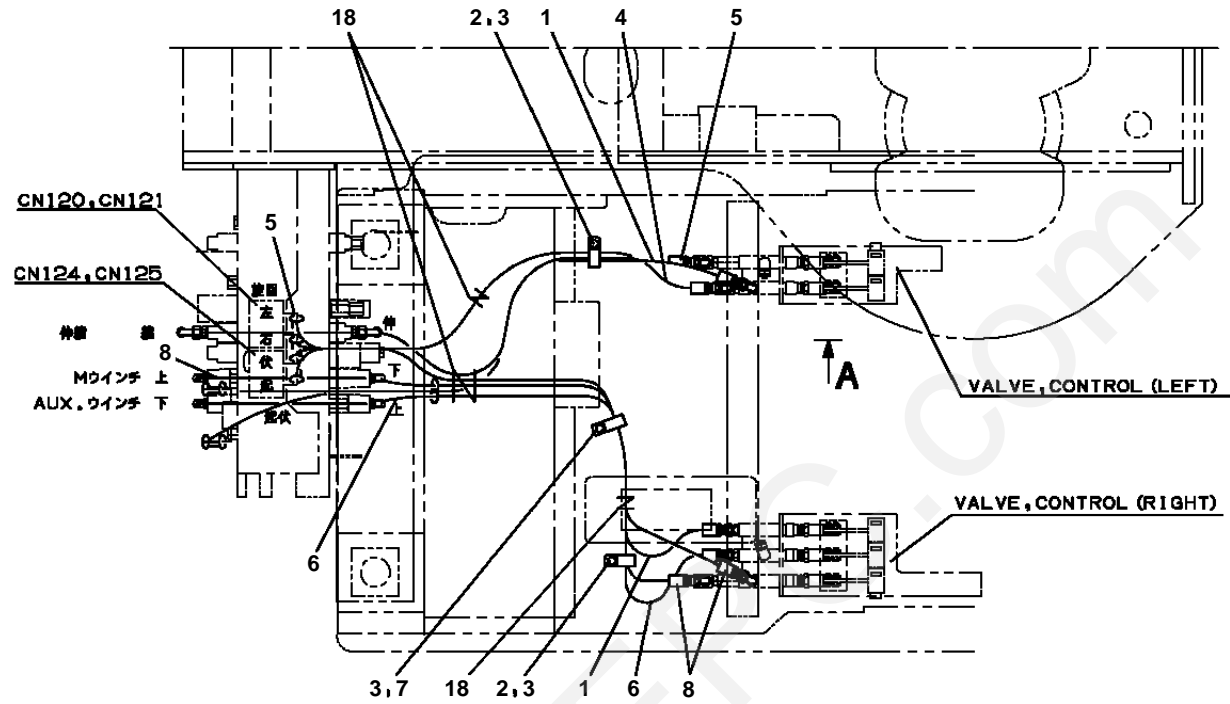
GR-120N-1-00111 12T,X,WINCH(W/O FREE-FALL),JIB(PT)

Pos No.	Parts No	Parts Name	Qty	Unit	Technical Data	Serial No (Start)	Serial No (End)	Remarks	Pages
1	80400160127	JOINT	4						
2	91002801100	O-RING	4		1B P11		FD1191		
	91002801100	O-RING	5		1B P11	FD1192			
3	37002402540	HOSE	4		L=380				
4	80306010105	NUT	4		KKN12-000E				
5	80309010105	SLEEVE	4		KK012-000E				
6	37000701500	CLAMP ASSY	4		12X1				
7	81408000160	PIPE,STEEL	1	M	12X1.4T				
8	81408000160	PIPE,STEEL	2	M	12X1.4T				
9	80305010100	FITTING,TEE	3		KTA12-000N				
10	81408000160	PIPE,STEEL	1	M	12X1.4T				
11	81408000160	PIPE,STEEL	1	M	12X1.4T				
12	81408000160	PIPE,STEEL	2	M	12X1.4T				
13	81408000160	PIPE,STEEL	2	M	12X1.4T				
14	80430621200	JOINT	4						
15	(*****)	COOLER,OIL	1						000349
16	90186210014	BOLT,FLANGE	9		M10X14				
17	37002448280	HOSE	2		L=730		FD0454		
	37002480310	HOSE	2		L=730	FD0455			
18	80400160133	JOINT	1						
19	91002802400	O-RING	1		1B P24				
20	37002453750	HOSE	1		L=530		FD0454		
	37002480320	HOSE	1		L=530	FD0455			
21	34640975400	PLATE	2						
22	36672280000	FILTER,OIL (YAMASHIN)	1						000140
23	34640975500	JOINT ASSY	1						
24	91803600600	CLIP	4		D=45-60				
25	37002510570	HOSE	1		L=320				
26	80400160126	FITTING,TEE	2		20364-U1/2				
27	89640101000	HOSE	1		880-NFK,1M				
28	89640101000	HOSE	1		880-NFK,1M				
29	81408000160	PIPE,STEEL	1	M	12X1.4T				
30	89640101000	HOSE	1		880-NFK,1M				
31	80441010904	FITTING (WITH O-RING)	1		S G1/4-12.7				
32	37002418850	HOSE	1		L=800				
33	80430620800	JOINT	1						
34	80441030904	FITTING,ELBOW (WITH O-RING)	1		L,G1/4-12.7				
35	89640101000	HOSE	1		880-NFK,1M				
36	89640101000	HOSE	1		880-NFK,1M				
37	80441030908	FITTING,ELBOW (WITH O-RING)	2		L,G1/2-12.7				
38	91810130250	FASTENER	13				FD0927		
	91810130250	FASTENER	12			FD0928	FD1191		
	91810130250	FASTENER	11			FD1192			
39	80430622000	JOINT	1						
40	37002406860	HOSE	1		L=750		FD0927		
	37002486750	HOSE	1		L=735	FD0928			
41	90280201000	NUT,FLANGE	3		M10				
42	37000925580	JOINT	1		T,G1/4-G1/4-G1/4				
43	90101208050	BOLT	2		M8X50				
44	37002419200	HOSE	1		L=670				
45	80430620600	JOINT (WITH O-RING)	1		L,G3/8-G3/8				
46	37000908720	JOINT (WITH O-RING)	1		PF1/2-PF3/8				
47	80400160131	JOINT	1						
48	91002801800	O-RING	1		1B P18				
49	37000913850	JOINT (WITH O-RING)	2		L,G3/4-G1/2				
50	37000926890	JOINT	2		S G1-G3/4				

GR-120N-1-00111 12T,X,WINCH(W/O FREE-FALL),JIB(PT)

Pos No.	Parts No	Parts Name	Qty	Unit	Technical Data	Serial No (Start)	Serial No (End)	Remarks	Pages
51	37002407120	HOSE	1		L=670				
52	37002405290	HOSE	1		L=850		FD0454		
	37002425650	HOSE	1		L=850	FD0455			
53	91002802900	O-RING	2		1B P29				
54	90302040801	WASHER,SPRING	2		8				
55	82100002008	CLAMP	2		WR12				
56	90280200600	NUT,FLANGE	2		M6				
58	37000921300	JOINT	1		S,PF1/4-PF1/4	FD1192			
71	91002802400	O-RING	6		1B P24				
81	34640975600	JOINT	1						
82	90101205018	BOLT	1		M5X18				
83	91702000050	SEAL,WASHER	1						
84	34640555300	FITTING,FLANGE	1						
85	91002904500	O-RING	1		1B G45				
86	80430620800	JOINT	1						
87	36620730000	VALVE,CHECK	1						
88	33330010100	GASKET	1						
89	37004000040	SWITCH,THERMO	1		85C				
90	37004000010	SWITCH,THERMO	1		50C				
91	90101208030	BOLT	4		M8X30				
92	90302040801	WASHER,SPRING	4		8				
101	91002801100	O-RING	2		1B P11				
121	91002801800	O-RING	5		1B P18				
131	91002803800	O-RING	1		1B P38				
141	91002801400	O-RING	1		1B P14				

GR-120N-1-00111 12T,X,WINCH(W/O FREE-FALL),JIB(P.T)
 PB1250037-01 PIPING,PILOT



GR-120N-1-00111 12T,X,WINCH(W/O FREE-FALL),JIB(P.T)
PB1250037-01 PIPING,PILOT

左側リモコンバルブ

	上部ポート	下部ポート
流量	左 (S2)	右 (S1)
伸縮	伸 (T2)	縮 (T1)
Pポート	接続なし	

	上部ポート	下部ポート
流量	左 (S2)	右 (S1)
起伏	伏 (D2)	起 (D1)
Pポート	φ2.0接続取付け	

右側リモコンバルブ

	上部ポート	下部ポート
AUX. ウィンチ	下 (W4)	上 (W3)
Mウィンチ	下 (W2)	上 (W1)
起伏	伏 (D2)	起 (D1)
Pポート	φ2.0接続取付け	

	上部ポート	下部ポート
伸縮	伸 (T2)	縮 (T1)
AUX. ウィンチ	下 (W4)	上 (W3)
Mウィンチ	下 (W2)	上 (W1)
Pポート	接続なし	

(ISO配列)

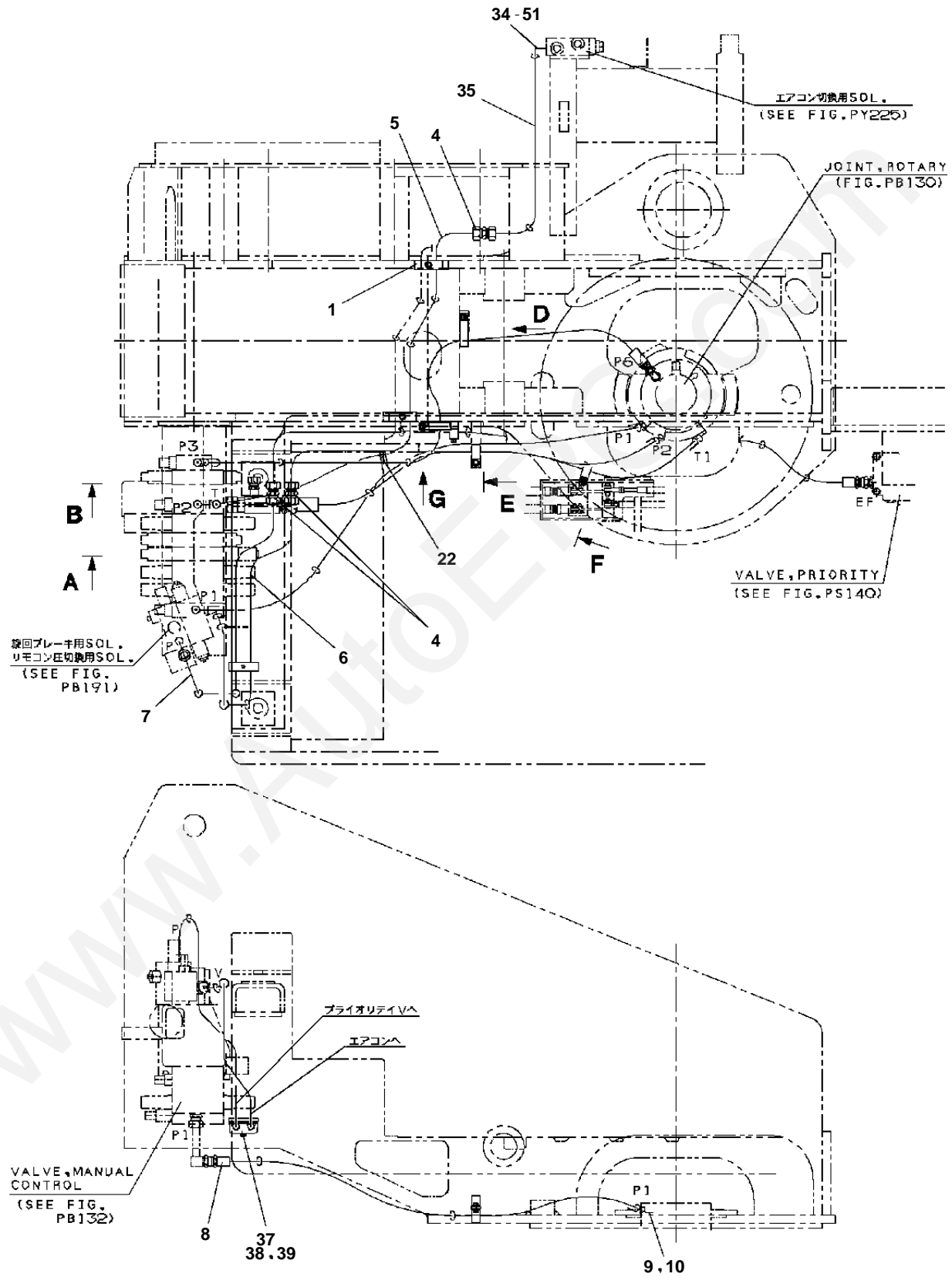
(TDN配列)

項目	記号	符号	ホース符号
Mウィンチ 下	W2	17,10	6
Mウィンチ 上	W1	17,9	8
AUX. ウィンチ 下	W4	17,12	1
AUX. ウィンチ 上	W3	17,11	6
起伏 伏	D2	13,10	8
起伏 起	D1	13,9	8
伸縮 伸	T2	16,10	4
伸縮 縮	T1	16,9	20
流量 左	S2	15,10	5
流量 右	S1	15,9	5
P	P	14	1,8

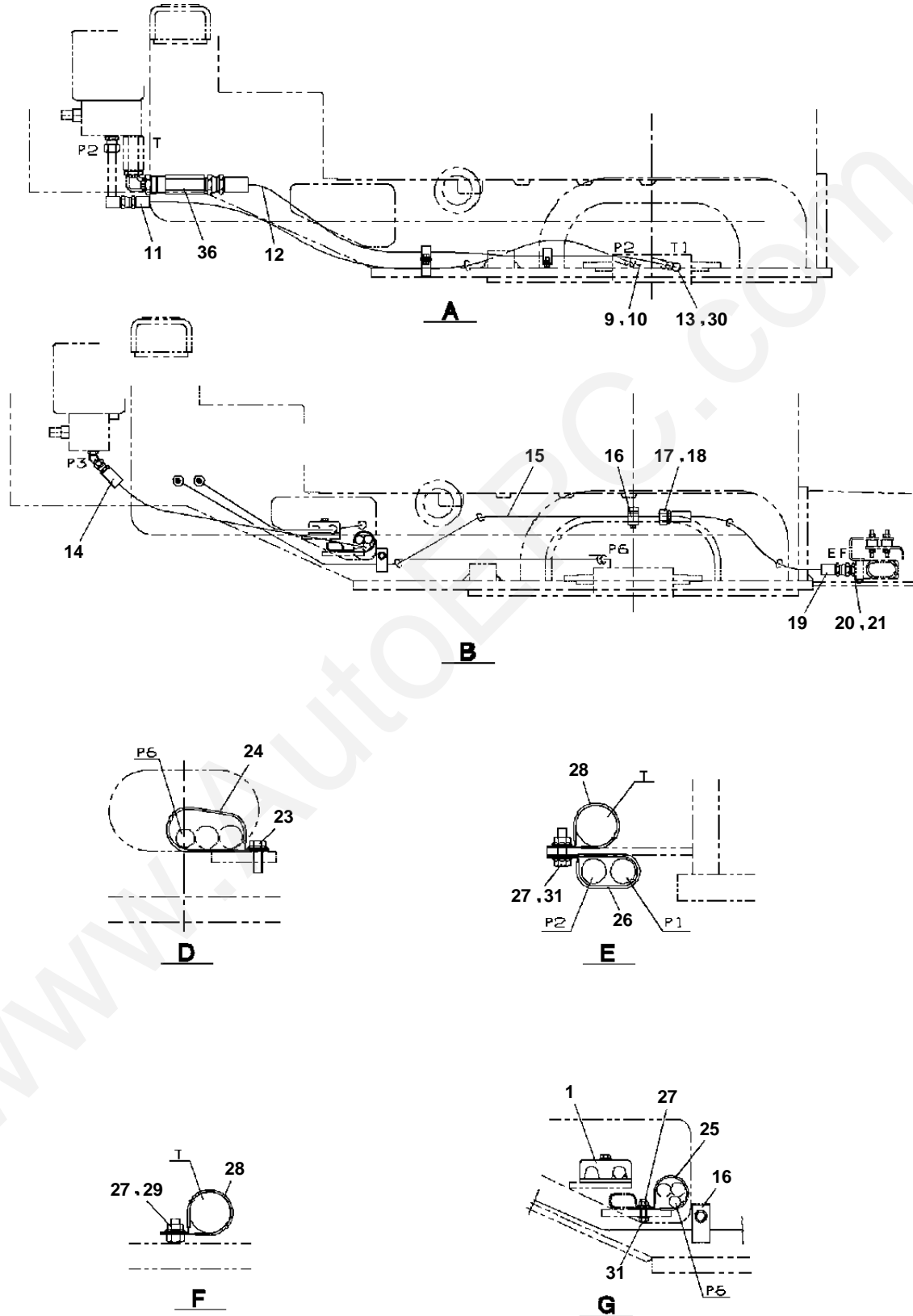
GR-120N-1-00111 12T,X,WINCH(W/O FREE-FALL),JIB(PT)

Pos No.	Parts No	Parts Name	Qty	Unit	Technical Data	Serial No (Start)	Serial No (End)	Remarks	Pages
1	37002448320	HOSE	2		L=1380				
2	82100002017	CLAMP	2		WR30				
3	90280200800	NUT,FLANGE	3		M8				
4	37002445010	HOSE	1		L=950				
5	37002448310	HOSE	2		L=1280				
6	37002450730	HOSE	2		L=1120				
7	82100002018	CLAMP	1		WR35				
8	37002443660	HOSE	4		L=1470				
9	82135901901	BAND,MARK (1)	8						
10	82135901902	BAND,MARK (2)	8						
11	82135901903	BAND,MARK (3)	2						
12	82135901904	BAND,MARK (4)	2						
13	82135901954	BAND,MARK (D)	4						
14	82135901966	BAND,MARK (P)	4						
15	82135901969	BAND,MARK (S)	4						
16	82135901970	BAND,MARK (T)	4						
17	82135901973	BAND,MARK (W)	8						
18	91810132530	FASTENER	3						
20	37002443740	HOSE	1		L=1400				

GR-120N-1-00111 12T,X,WINCH(W/O FREE-FALL),JIB(P.T)
 PB1260184-00 PIPING,UPPER RETURN



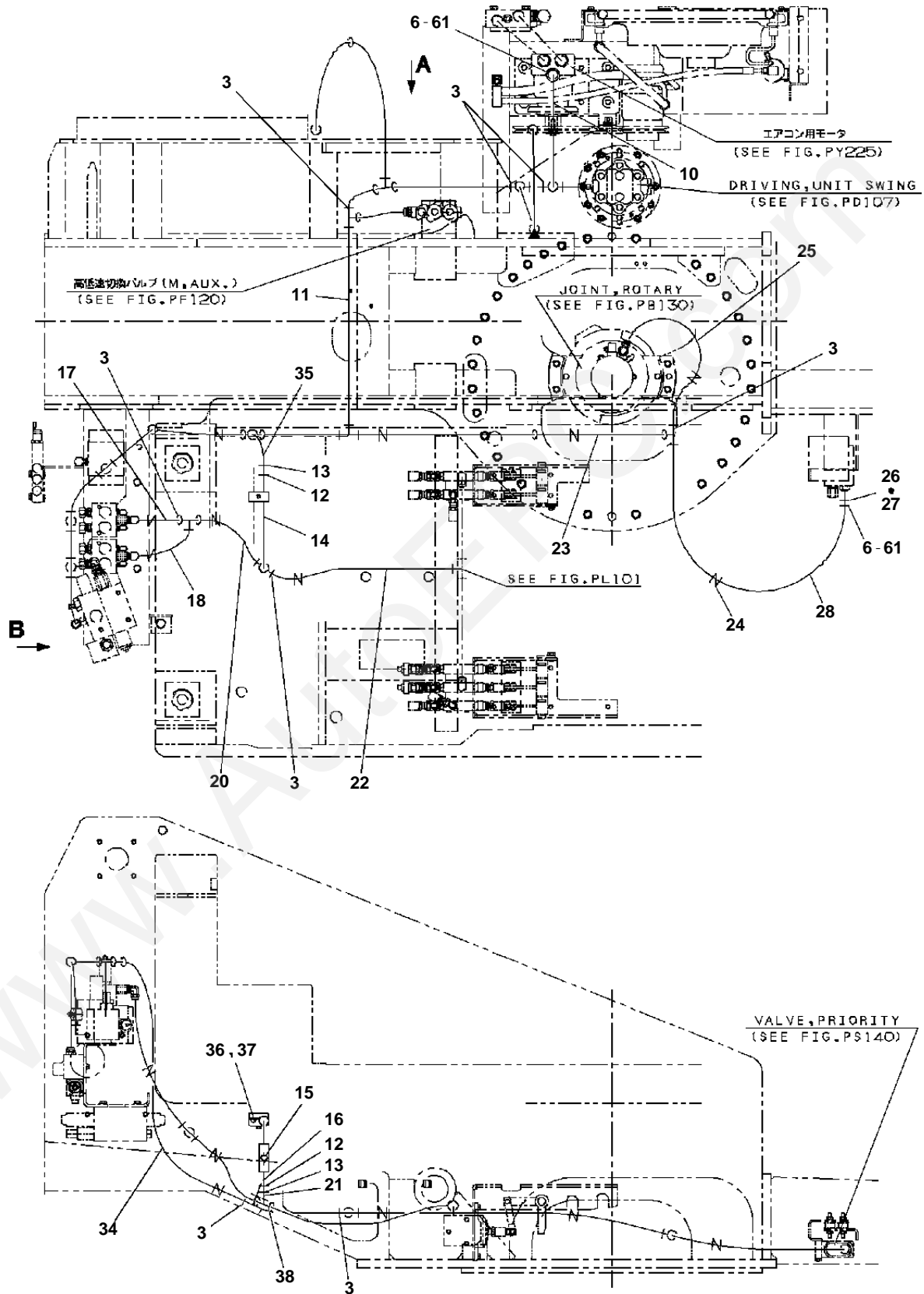
GR-120N-1-00111 12T,X,WINCH(W/O FREE-FALL),JIB(P.T)
PB1260184-00 PIPING,UPPER RETURN



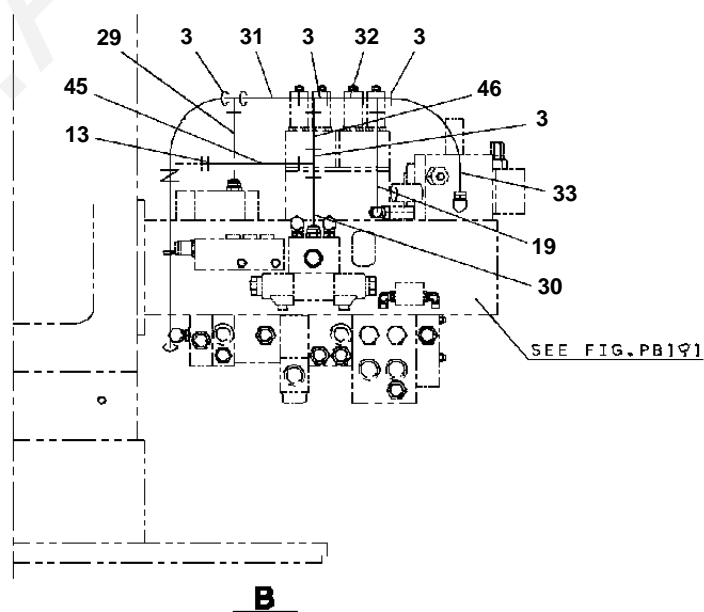
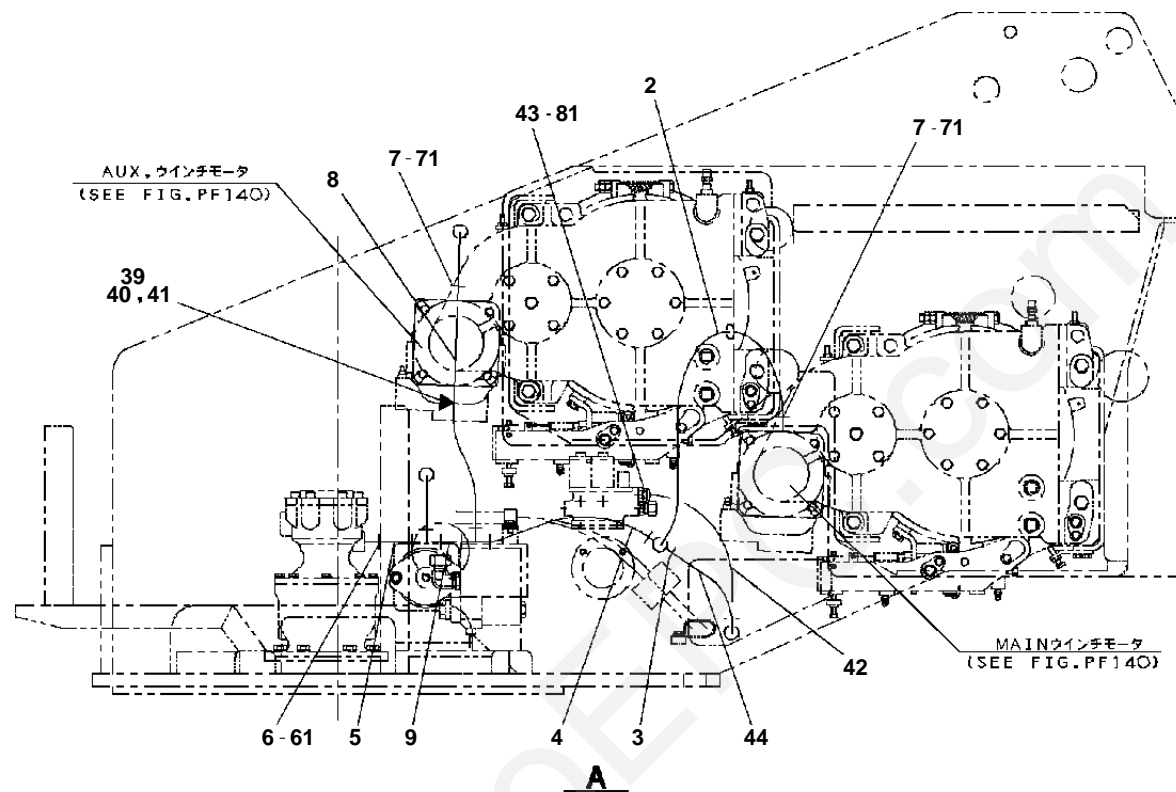
GR-120N-1-00111 12T,X,WINCH(W/O FREE-FALL),JIB(PT)

Pos No.	Parts No	Parts Name	Qty	Unit	Technical Data	Serial No (Start)	Serial No (End)	Remarks	Pages
1	37000711090	CLAMP ASSY	2		18X2				
4	80301010160	FITTING	3		KUA18-000N				
5	81408000241	PIPE,STEEL	1	M	18X1.9T				
6	81408000241	PIPE,STEEL	1	M	18X1.9T				
7	81408000241	PIPE,STEEL	2	M	18X1.9T				
8	37002470020	HOSE	1		L=1400				
9	80471020504	JOINT	2		HL205-04				
10	91002801800	O-RING	2		1B P18				
11	37002470030	HOSE	1		L=1300				
12	37002455610	HOSE	1		L=1220		FD0192		
	37002474750	HOSE	1		L=1260	FD0193			
13	80481106080	JOINT	1		L,G3/4-G1				
14	37002417410	HOSE	1		L=1600				
15	81408000241	PIPE,STEEL	2	M	18X1.9T				
16	37000711010	CLAMP ASSY	2		18X1				
17	80306010165	NUT	1		KKN018-000E				
18	80309010165	SLEEVE	1						
19	37002470040	HOSE	1		L=500				
20	80460004100	JOINT	1		S,7/8-14UNF-G1/2				
21	91000591000	O-RING	1		AS568-910				
22	91810130270	FASTENER	1						
23	90186208020	BOLT,FLANGE	1		M8X20				
24	34341053100	CLAMP	1		35-30				
25	37000600120	CLAMP	1		45				
26	82100002044	CLAMP	1		WE25				
27	90280200800	NUT,FLANGE	3		M8				
28	82100002018	CLAMP	2		WR35				
29	90201200800	NUT	1		M8				
30	91002802400	O-RING	1		1B P24				
31	90186208025	BOLT,FLANGE	2		M8X25				
34	80303130241	FITTING,ELBOW	1		KLO18-040E				
35	81408000241	PIPE,STEEL	1	M	18X1.9T				
36	34344344600	JOINT	1				FD0192		
	34344344601	JOINT	1		T,G1-G1-22	FD0193			
37	37005700050	CLAMP	1		18X2				
38	90186208045	BOLT,FLANGE	1		M8X45				
39	37000514150	PLATE	1						
51	91002801800	O-RING	1		1B P18				

GR-120N-1-00111 12T,X,WINCH(W/O FREE-FALL),JIB(P.T)
PB1270120-00 PIPING,DRAIN



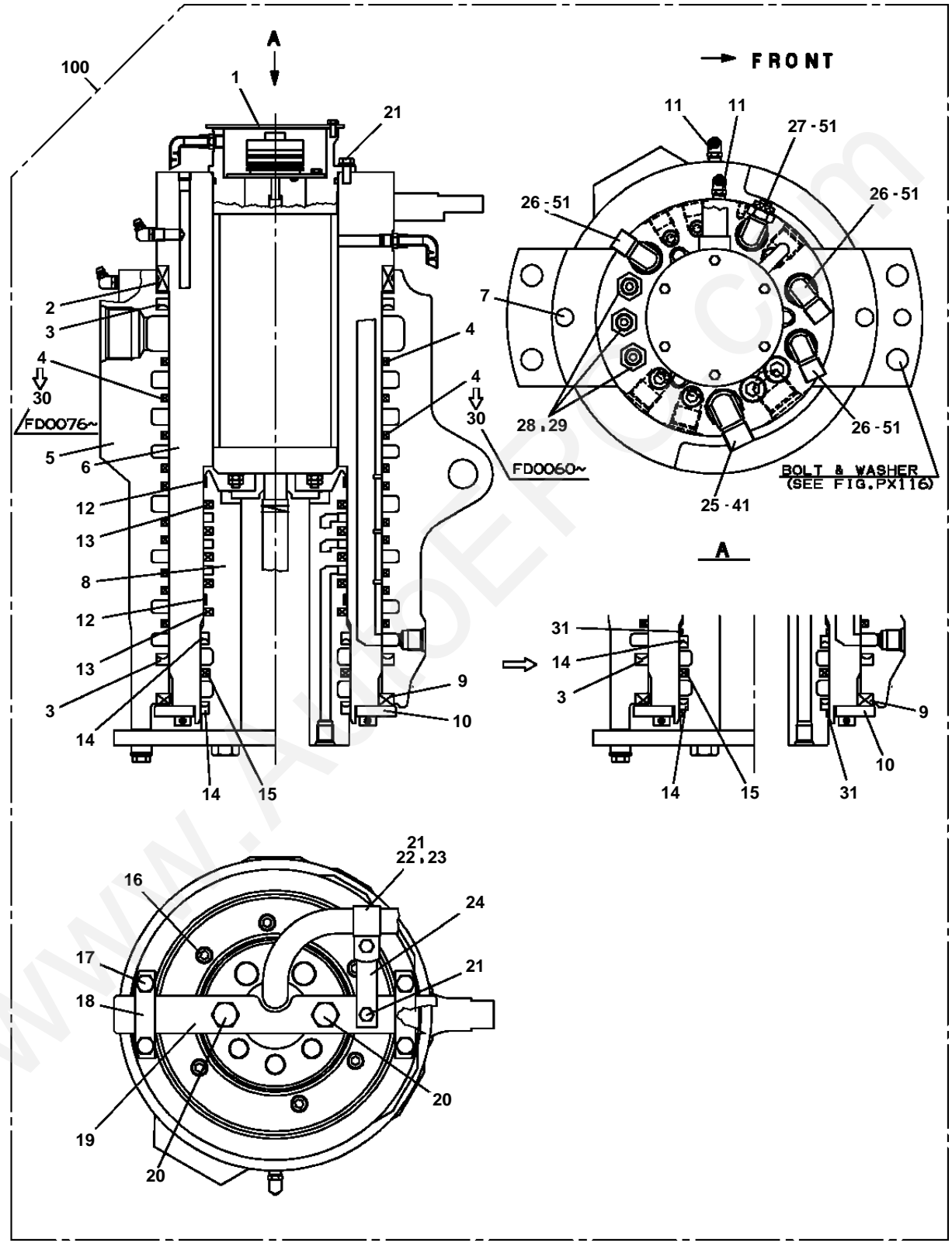
GR-120N-1-00111 12T,X,WINCH(W/O FREE-FALL),JIB(P.T)
PB1270120-00 PIPING,DRAIN



GR-120N-1-00111 12T,X,WINCH(W/O FREE-FALL),JIB(PT)

Pos No.	Parts No	Parts Name	Qty	Unit	Technical Data	Serial No (Start)	Serial No (End)	Remarks	Pages
2	89640101000	HOSE	1		880-NFK,1M				
3	80400160126	FITTING,TEE	13		20364-U1/2				
4	89640101000	HOSE	1		880-NFK,1M				
5	89640101000	HOSE	1		880-NFK,1M				
6	80441010906	FITTING	3						
7	80441010908	FITTING	2		PF1/2-12.7				
8	89640101000	HOSE	1		880-NFK,1M				
9	89640101000	HOSE	1		880-NFK,1M				
10	89640101000	HOSE	1		880-NFK,1M				
11	89640101000	HOSE	1		880-NFK,1M				
12	80320010085	FITTING	2		KUD12-040N				
13	80400160120	FITTING	3		20376-U1/2X1/2				
14	81408000160	PIPE,STEEL	1	M	12X1.4T				
15	80321112000	VALVE,CHECK	1						
16	81408000160	PIPE,STEEL	1	M	12X1.4T				
17	89640101000	HOSE	1		880-NFK,1M				
18	89640101000	HOSE	1		880-NFK,1M				
19	89640101000	HOSE	1		880-NFK,1M				
20	89640101000	HOSE	1		880-NFK,1M				
21	89640101000	HOSE	1		880-NFK,1M				
22	89640101000	HOSE	1		880-NFK,1M				
23	89640101000	HOSE	1		880-NFK,1M				
24	91810130250	FASTENER	12						
25	89640101000	HOSE	1		880-NFK,1M				
26	37000922300	JOINT	1						
27	91000590600	O-RING	1		AS568 906				
28	89640101000	HOSE	1		880-NFK,1M				
29	89640101000	HOSE	1		880-NFK,1M				
30	89640101000	HOSE	1		880-NFK,1M				
31	89640101000	HOSE	1		880-NFK,1M				
32	89640101000	HOSE	1		880-NFK,1M				
33	89640101000	HOSE	1		880-NFK,1M				
34	89640101000	HOSE	1		880-NFK,1M				
35	89640101000	HOSE	1		880-NFK,1M				
36	37000711080	CLAMP ASSY	1		12-2				
37	37000529230	PLATE	1						
38	89640101000	HOSE	1		880-NFK,1M				
39	90280200600	NUT,FLANGE	1		M6				
40	90201200600	NUT	1		M6				
41	82100002008	CLAMP	1		WR12				
42	89640101000	HOSE	1		880-NFK,1M				
43	80441010904	FITTING (WITH O-RING)	1		S G1/4-12.7				
44	89640101000	HOSE	1		880-NFK,1M				
45	89640101000	HOSE	1		880-NFK,1M				
46	89640101000	HOSE	1		880-NFK,1M				
61	91002801400	O-RING	3		1B P14				
71	91002801800	O-RING	2		1B P18				
81	91002801100	O-RING	1		1B P11				

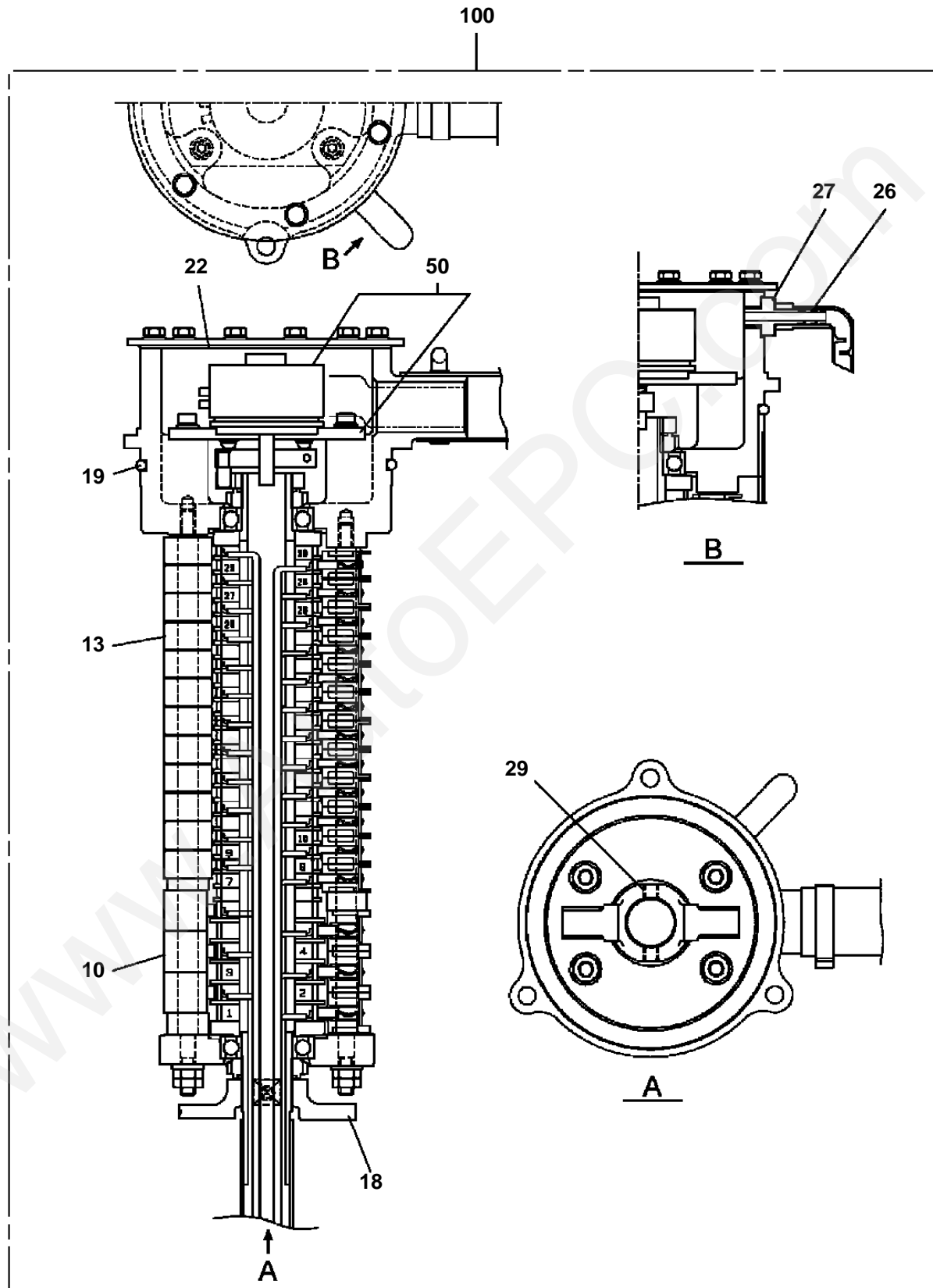
GR-120N-1-00111 12T,X,WINCH(W/O FREE-FALL),JIB(P.T)
PB1300352-02 JOINT,ROTARY



GR-120N-1-00111 12T,X,WINCH(W/O FREE-FALL),JIB(PT)

Pos No.	Parts No	Parts Name	Qty	Unit	Technical Data	Serial No (Start)	Serial No (End)	Remarks	Pages
1	34630591000	BRUSH,ROTARY JOINT	1				FD0221		000034
	34630591001	BRUSH,ROTARY JOINT	1			FD0222			000033
2	37000403190	BEARING,PLAIN	1						
3	91624517000	PACKING	2						
4	91150217000	SEAL,RING	10				FD0059		
	91150217000	SEAL,RING	9			FD0060	FD0075		
	91150217000	SEAL,RING	8			FD0076			
5	34630590100	BODY	1						
6	34630590200	CORE	1						
7	82401800100	PLUG (FOR M10)	2						
8	34630590302	CORE	1						
	34630590300	CORE	1				FD0977		
9	37000403880	BEARING,PLAIN	1						
10	34630590400	SUPPORT	1						
11	82458102000	NIPPLE,GREASE	2		B-PT1/8				
12	37000403890	BEARING,PLAIN	2						
13	91151111500	SEAL,RING	5						
14	91606010600	PACKING	2				FD0977		
	91607112000	PACKING	2						
15	91151110500	SEAL,RING	1						
16	90172108020	BOLT,HEXAGON SOCKET	6		M8X20				
17	90186208014	BOLT,FLANGE	4		M8X14				
18	34630571800	PLATE	2						
19	34630571600	PLATE	1						
20	90101512025	BOLT	2		M12X25				
21	90186206014	BOLT,FLANGE	5		M6X14				
22	82100002014	CLAMP	1		WR20				
23	90201200600	NUT	1		M6				
24	37000505280	PLATE	1						
25	80430620800	JOINT	1						
26	80430620600	JOINT (WITH O-RING)	3		L,G3/8-G3/8				
27	80441030906	FITTING,ELBOW	1		L,G3/8-12.7				
28	80400160127	JOINT	3						
29	91001101100	O-RING	3		1A P11				
30	91150517000	SEAL,RING	1			FD0060	FD0075		
	91150517000	SEAL,RING	2			FD0076			
31	91152012000	SEAL,RING	2						
41	91002801800	O-RING	1		1B P18				
51	91002801400	O-RING	4		1B P14				
100	34630590000	JOINT,ROTARY	1						

GR-120N-1-00111 12T,X,WINCH(W/O FREE-FALL),JIB(P
PB1310035-02 BRUSH,ROTARY JOINT

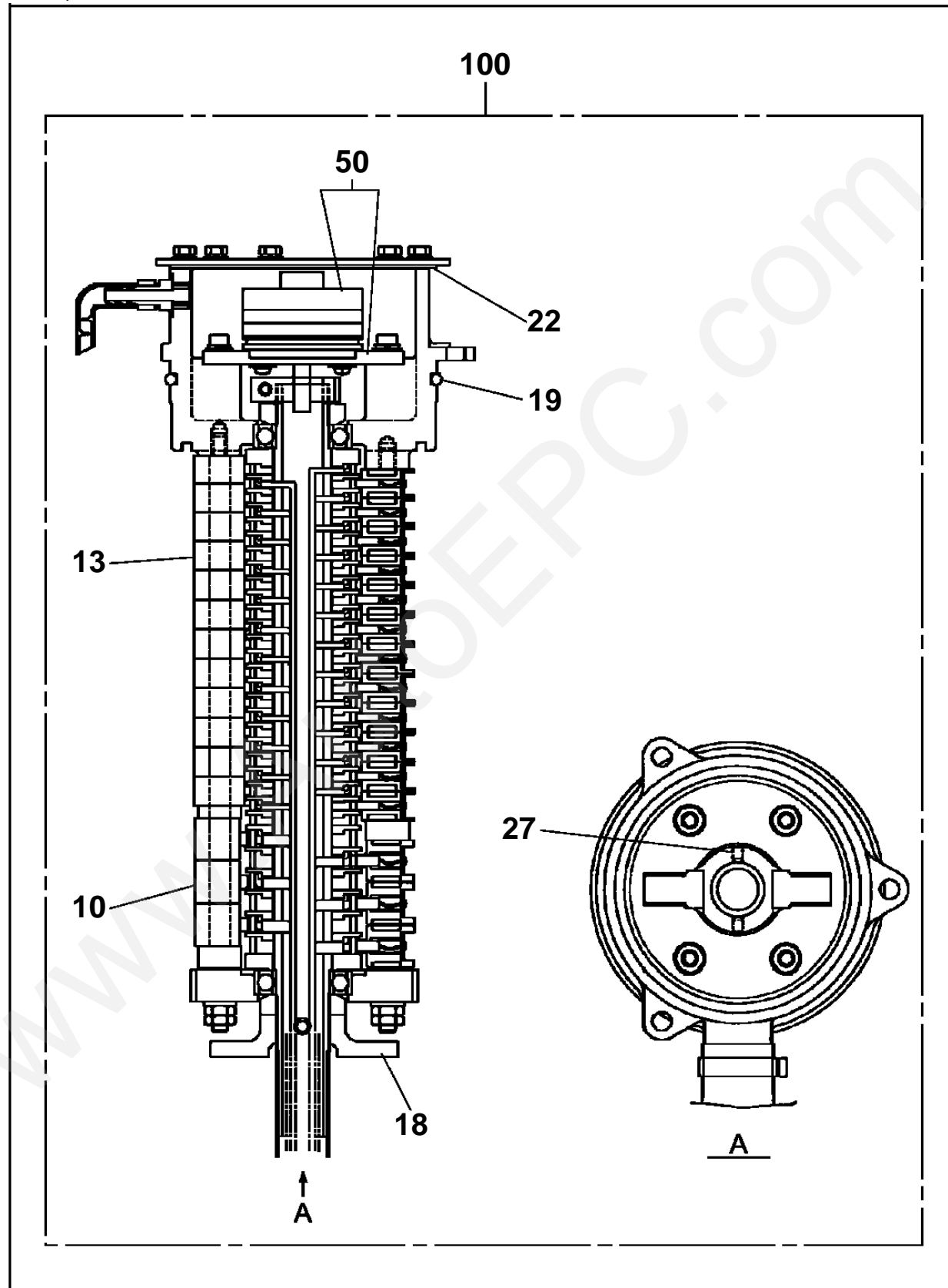


GR-120N-1-00111 12T,X,WINCH(W/O FREE-FALL),JIB(PT)

Pos No.	Parts No	Parts Name	Qty	Unit	Technical Data	Serial No (Start)	Serial No (End)	Remarks	Pages
10	34630597610	BRUSH	6						
13	34630597620	BRUSH	24						
18	34630597630	GUIDE	1						
19	34630597640	O-RING	1						
22	34630597660	PACKING	1						
26	34630981500	BREATHER	1						
27	34630981600	JOINT	1						
29	34630597670	BOLT,HEXAGON SOCKET	2		M6X6				
50	34630597650	POTENTIOMETER (WITH SUPPORT)	1						
100	34630591001	BRUSH,ROTARY JOINT	1						

www.AutoEPC.com

GR-120N-1-00111 12T,X,WINCH(W/O FREE-FALL),JIB(P
PB1310038-01 BRUSH,ROTARY JOINT

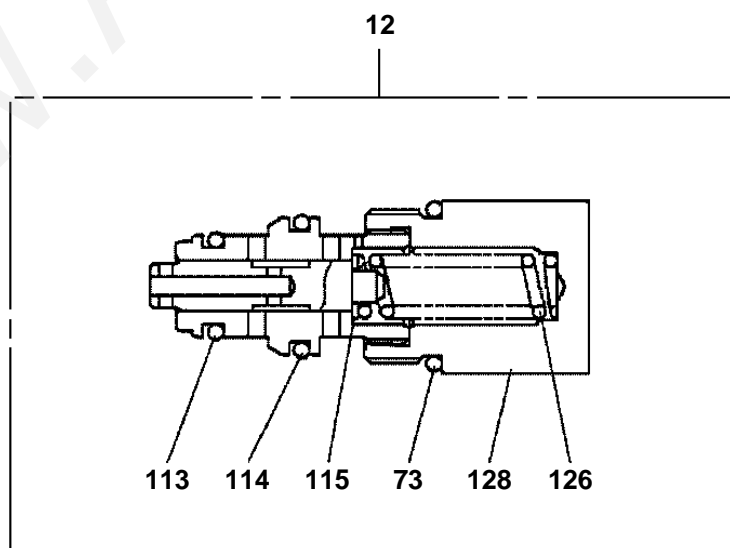
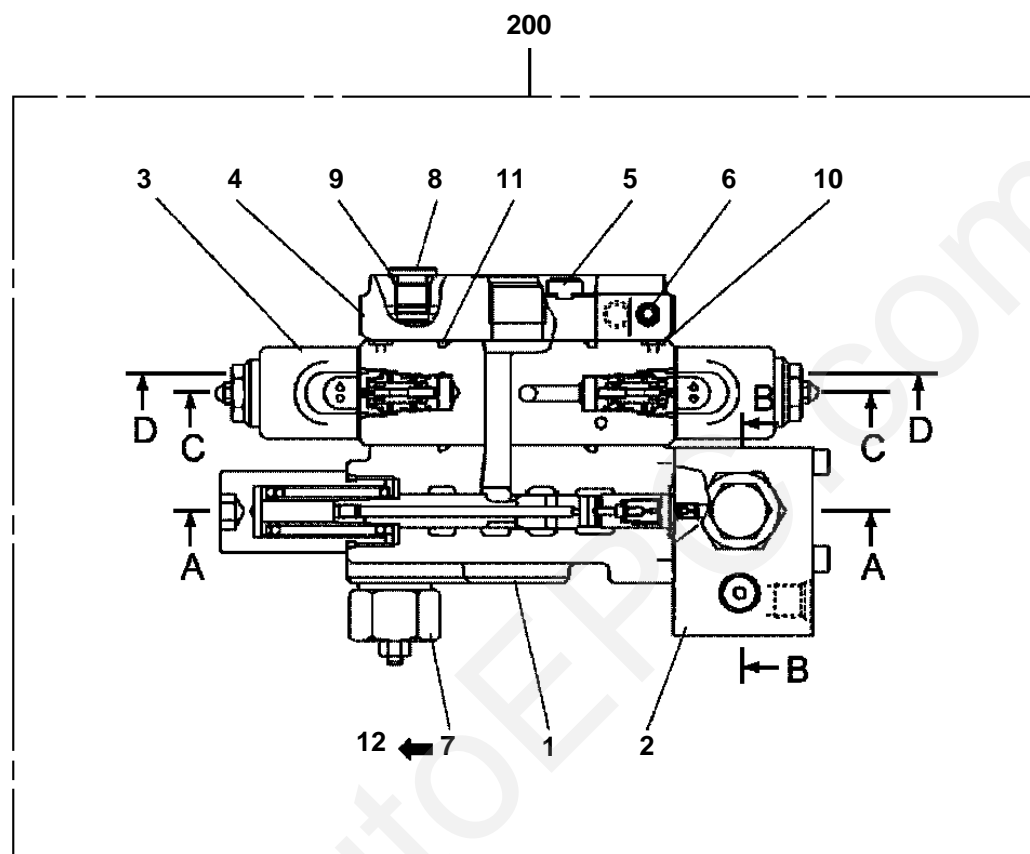


GR-120N-1-00111 12T,X,WINCH(W/O FREE-FALL),JIB(PT)

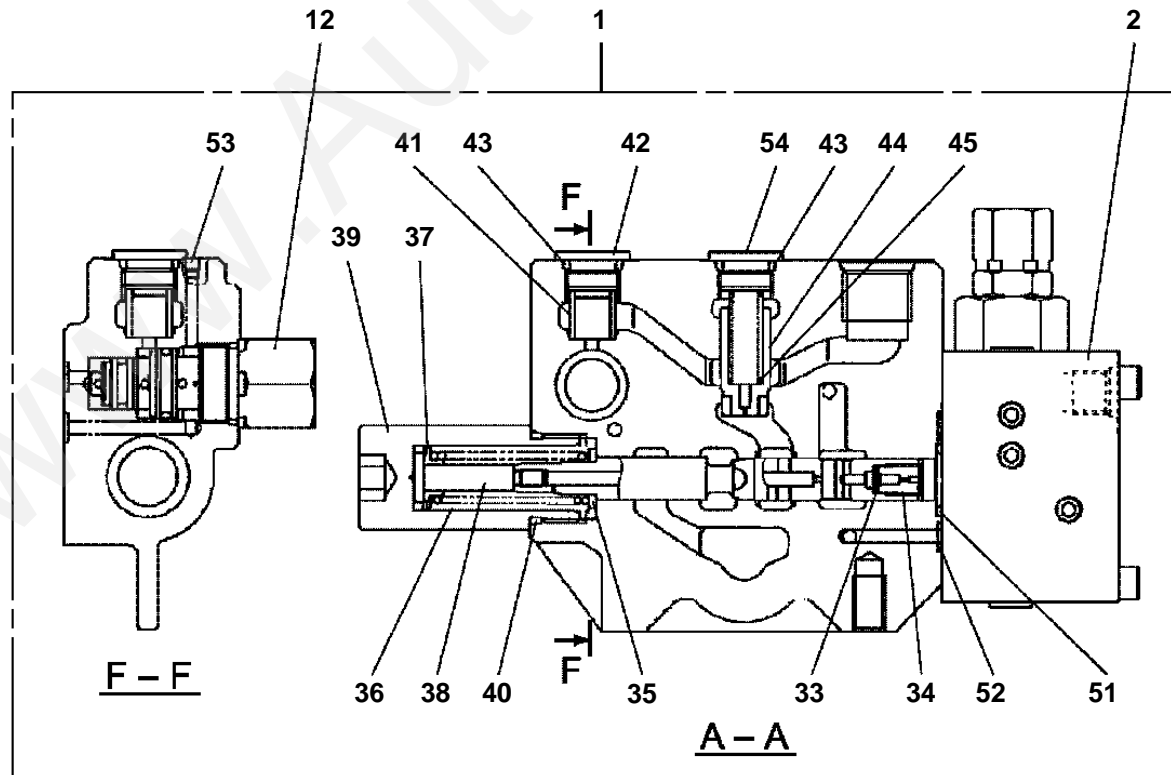
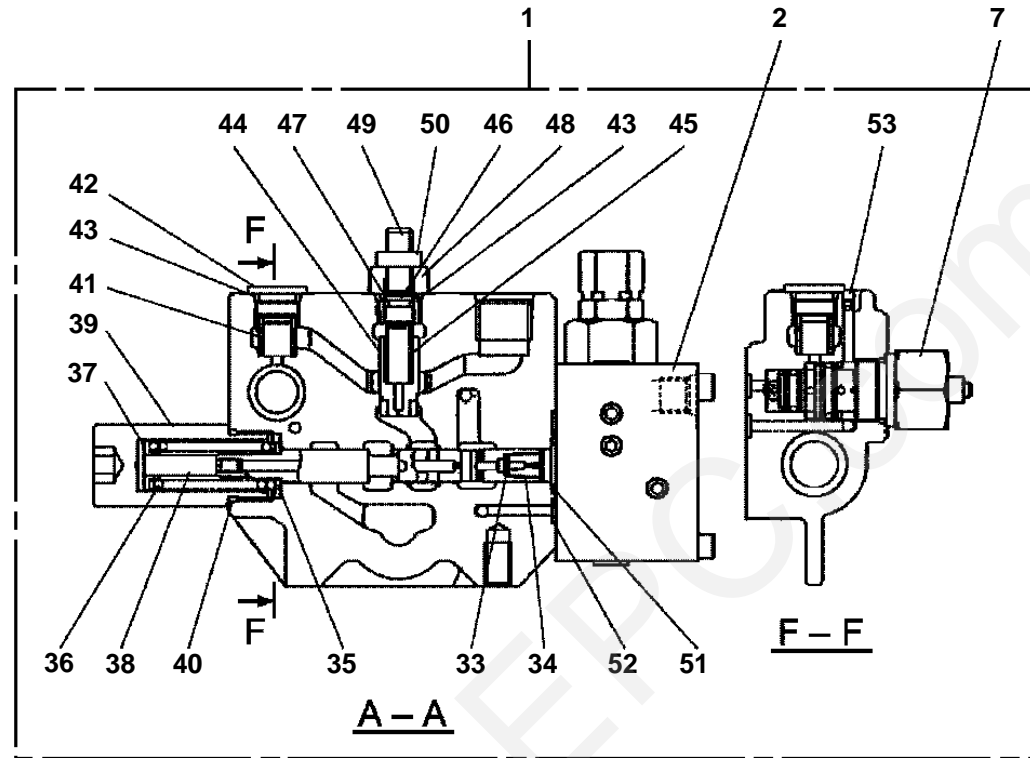
Pos No.	Parts No	Parts Name	Qty	Unit	Technical Data	Serial No (Start)	Serial No (End)	Remarks	Pages
10	34630597510	BRUSH	6						
13	34630597520	BRUSH	24						
18	34630597530	GUIDE	1						
19	34630597540	O-RING	1						
22	34630597560	PACKING	1						
27	34630597570	BOLT,HEXAGON SOCKET	2		M6X6				
50	34630597550	POTENTIOMETER (WITH SUPPORT)	1						
100	34630591000	BRUSH,ROTARY JOINT	1						

www.AutoEPC.com

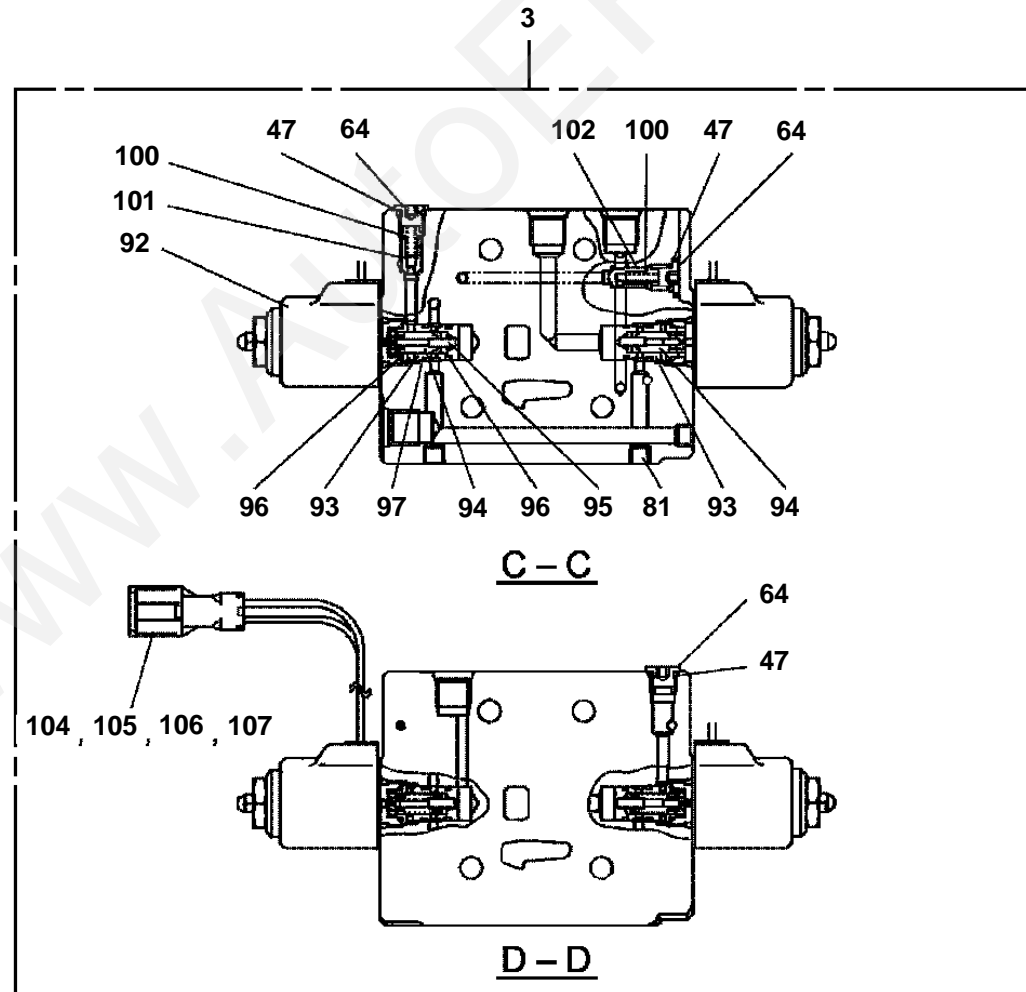
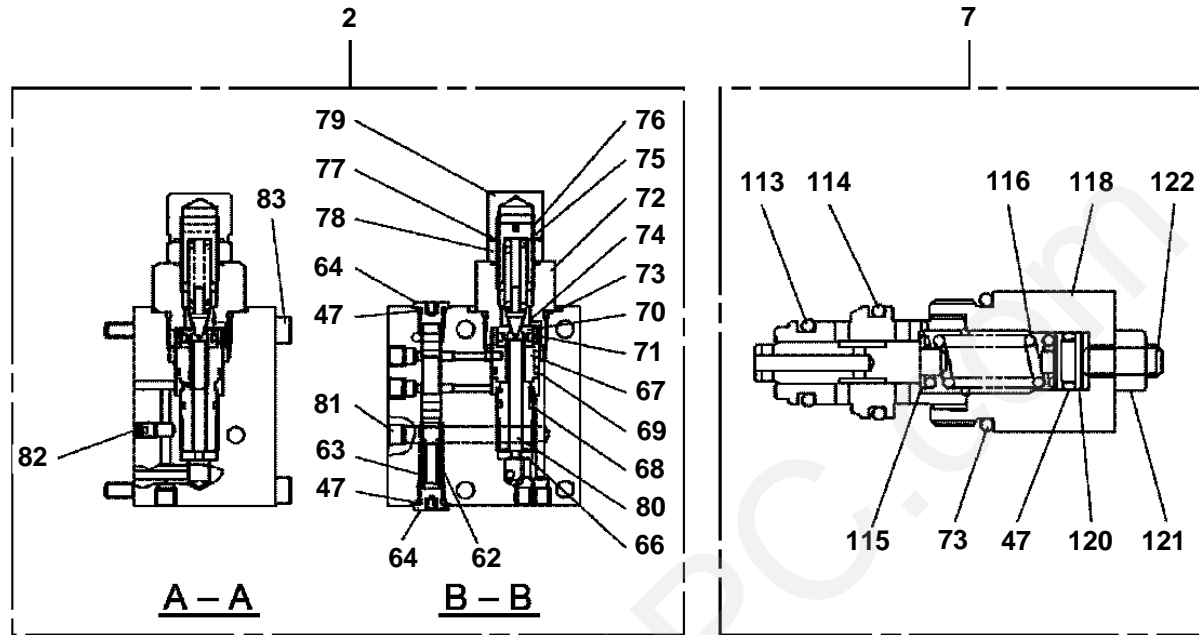
GR-120N-1-00111 12T,X,WINCH(W/O FREE-FALL),JIB(P.T)
PB1340061-02 VALVE,SOLENOID CONTROL



GR-120N-1-00111 12T,X,WINCH(W/O FREE-FALL),JIB(P.T)
PB1340061-02 VALVE,SOLENOID CONTROL



GR-120N-1-00111 12T,X,WINCH(W/O FREE-FALL),JIB(P.T)
PB1340061-02 VALVE,SOLENOID CONTROL



GR-120N-1-00111 12T,X,WINCH(W/O FREE-FALL),JIB(PT)

Pos No.	Parts No	Parts Name	Qty	Unit	Technical Data	Serial No (Start)	Serial No (End)	Remarks	Pages
1	36648935011	BODY	1						
2	36648935021	VALVE,UNLOAD	1						
3	36648935031	VALVE,PILOT	1						
4	36646565030	COVER (BOTTOM)	1						
5	90131908065	BOLT,HEXAGON SOCKET	4		M8X65				
6	36647205050	PLUG	4		NPT1-16				
8	36637335120	PLUG	1		PF1/4				
9	91002801100	O-RING	1		1B P11				
10	91002800600	O-RING	7		1B P6				
11	91002905500	O-RING	2		1B G55				
12	36648935041	VALVE,REDUCING	1			FD0164	FD0163		
	36648935042	VALVE,REDUCING	1						
33	36646005120	FILTER	1						
34	36648935050	CHOKE	1						
35	90303101001	WASHER,PLAIN	1		10				
36	36648935061	SPRING	1						
37	36648935070	GUIDE,SPRING	1						
38	36648935080	END,ROD	1						
39	36648935091	GUIDE,SPRING	1						
40	16095101070	O-RING	1						
41	36603765010	FILTER	1						
42	36648935101	PLUG	1						
43	91002801400	O-RING	2		1B P14				
44	36648935111	VALVE	1						
45	36648935121	SPRING	1						
47	91002800800	O-RING	5		1B P8				
51	91002801800	O-RING	1		1B P18				
52	91002800600	O-RING	2		1B P6				
53	36647205070	PLUG	1		GPM1/32				
54	36637495180	PLUG	1						
62	36646005150	SPRING (RETURN)	1						
63	36648935150	SPOOL	1						
64	36634915280	PLUG	5						
66	36647465090	SPACER	1						
67	36648935160	SOCKET	1						
68	91000501300	O-RING	1		AS568-013				
69	91000501500	O-RING	1		AS568-015				
70	36647465070	SEAT	1						
71	91002801001	O-RING	1		1B P10A				
72	36646005290	BODY (REGULATOR)	1						
73	91002802200	O-RING	2		1B P22				
74	14225101010	VALVE,REGULATOR	1						
75	16025153020	SPRING	1						
76	36630045200	SCREW (ADJUSTING)	1		M10X25				
77	91001001600	O-RING	2		1A S16				
78	36630045220	NUT	1		M10				
79	36648935170	NUT,CAP	1						
80	36648935180	ROLLER,NEEDLE	1						
81	36647205050	PLUG	10		NPT1-16				
83	90131906065	BOLT,HEXAGON SOCKET	4		M6X65				
92	36636005150	SOLENOID ASSY	2						
93	36648935190	SOCKET	2						
94	36648935200	VALVE	2						
95	36646005170	SPRING	2						
96	91001001120	O-RING	4		1A S11.2				
97	91001001200	O-RING	2		1A S12				

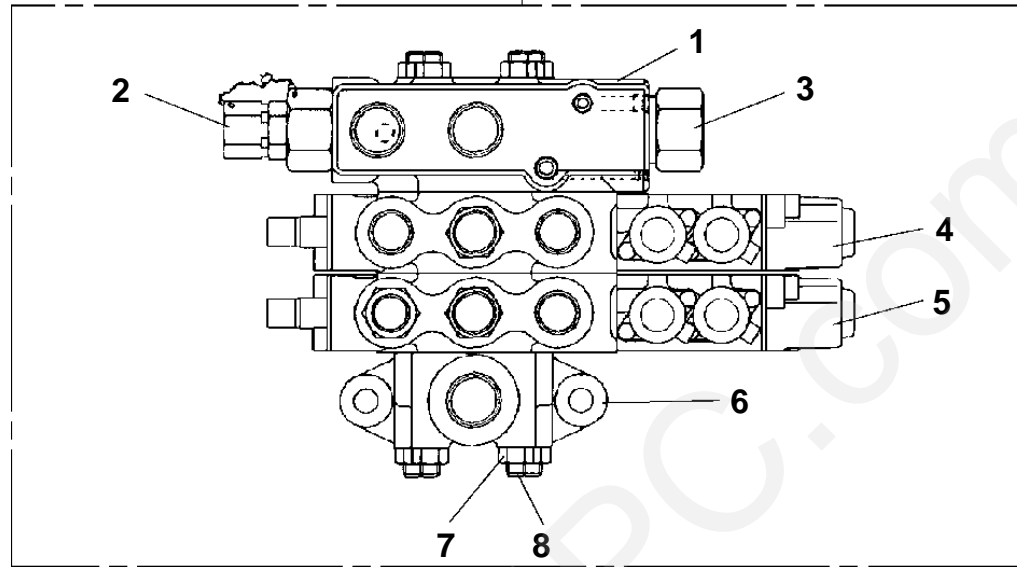
GR-120N-1-00111 12T,X,WINCH(W/O FREE-FALL),JIB(PT)

Pos No.	Parts No	Parts Name	Qty	Unit	Technical Data	Serial No (Start)	Serial No (End)	Remarks	Pages
100	36646005180	SPRING	2						
101	36646005330	SEAT (A)	1						
102	36646005340	SEAT (B)	1						
104	82114101020	CONNECTOR (2P,MALE)	2						
105	82111101010	TERMINAL	4						
106	82121101085	PLUG (AVS0.85)	4						
107	82121102020	HOLDER	2						
113	91002801200	O-RING	1		1B P12				
114	91002801600	O-RING	1		1B P16				
115	90303070501	WASHER,PLAIN	1		5				
126	36648935221	SPRING	1						
	36648935260	SPRING	1			FD0164	FD0163		
128	36648935250	CAP	1						
200	36648930000	VALVE,SOLENOID CONTROL	1						

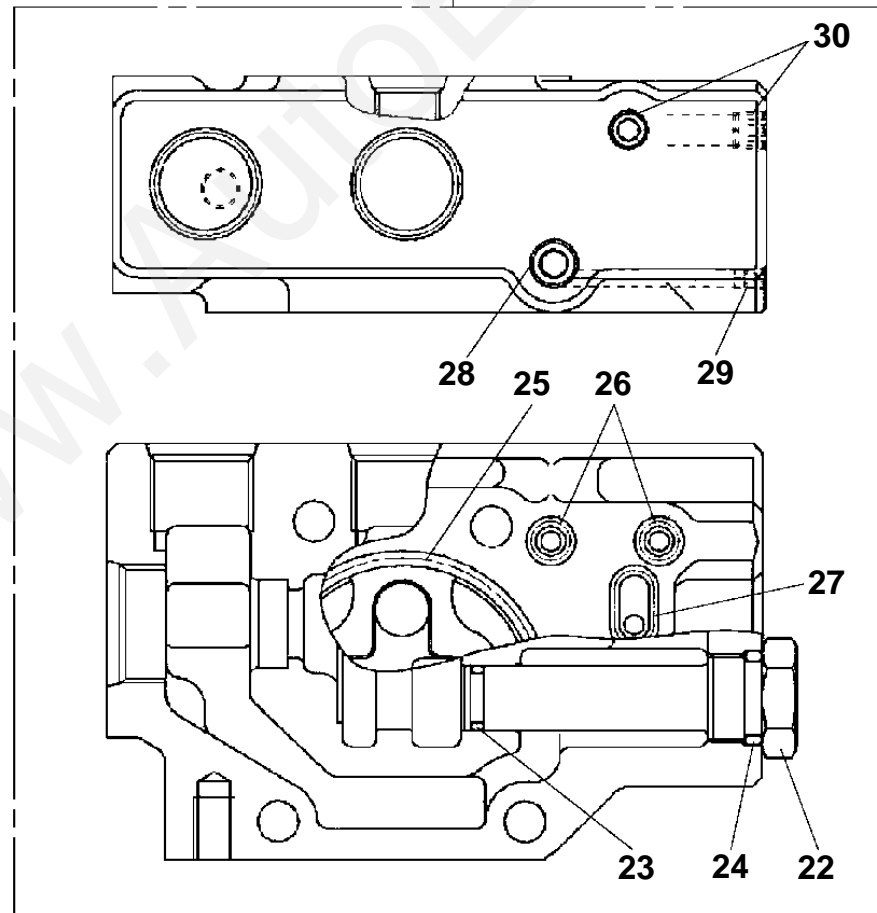
www.AutoEPC.com

GR-120N-1-00111 12T,X,WINCH(W/O FREE-FALL),JIB(P.T)
PB1340063-00 VALVE,SOLENOID CONTROL

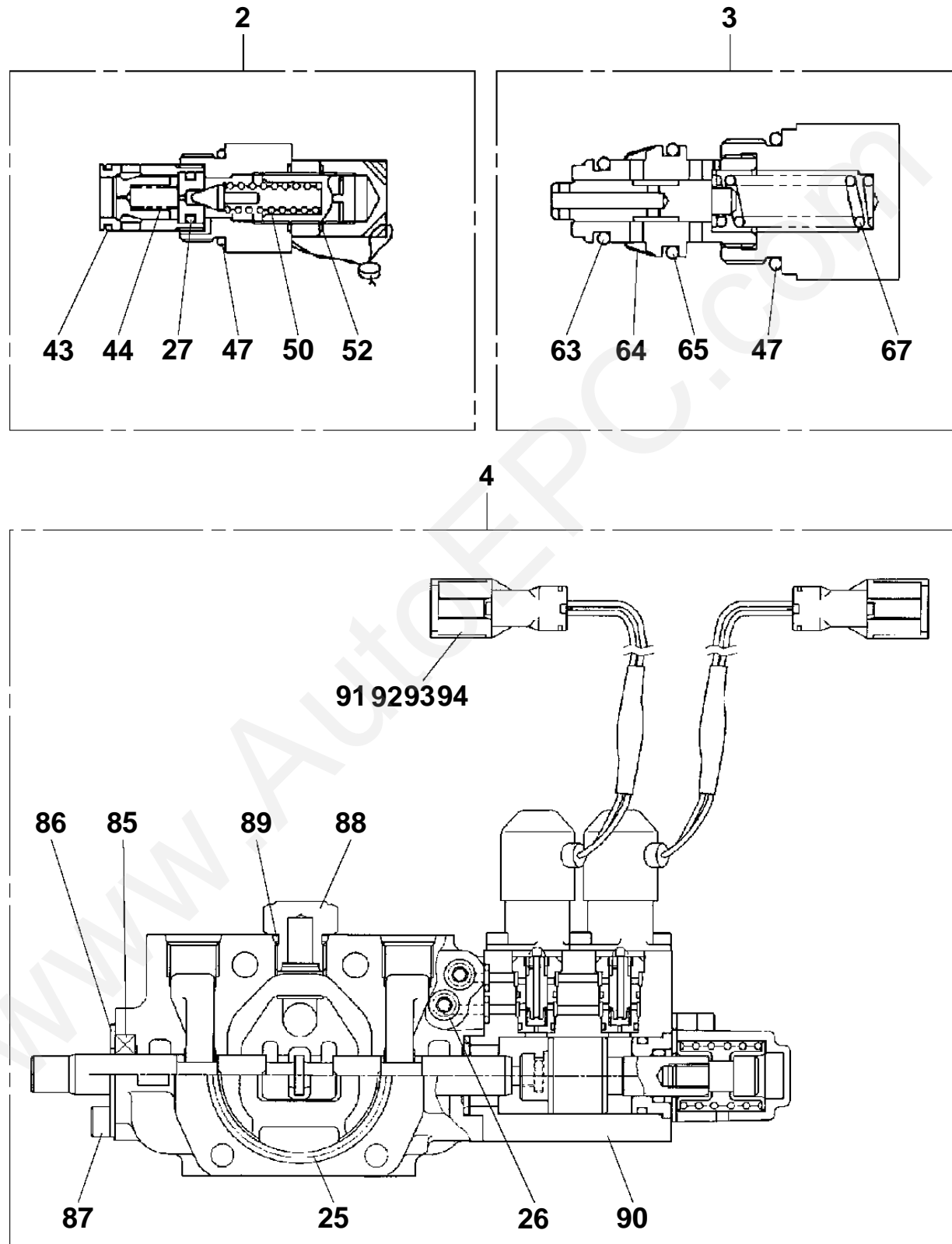
200



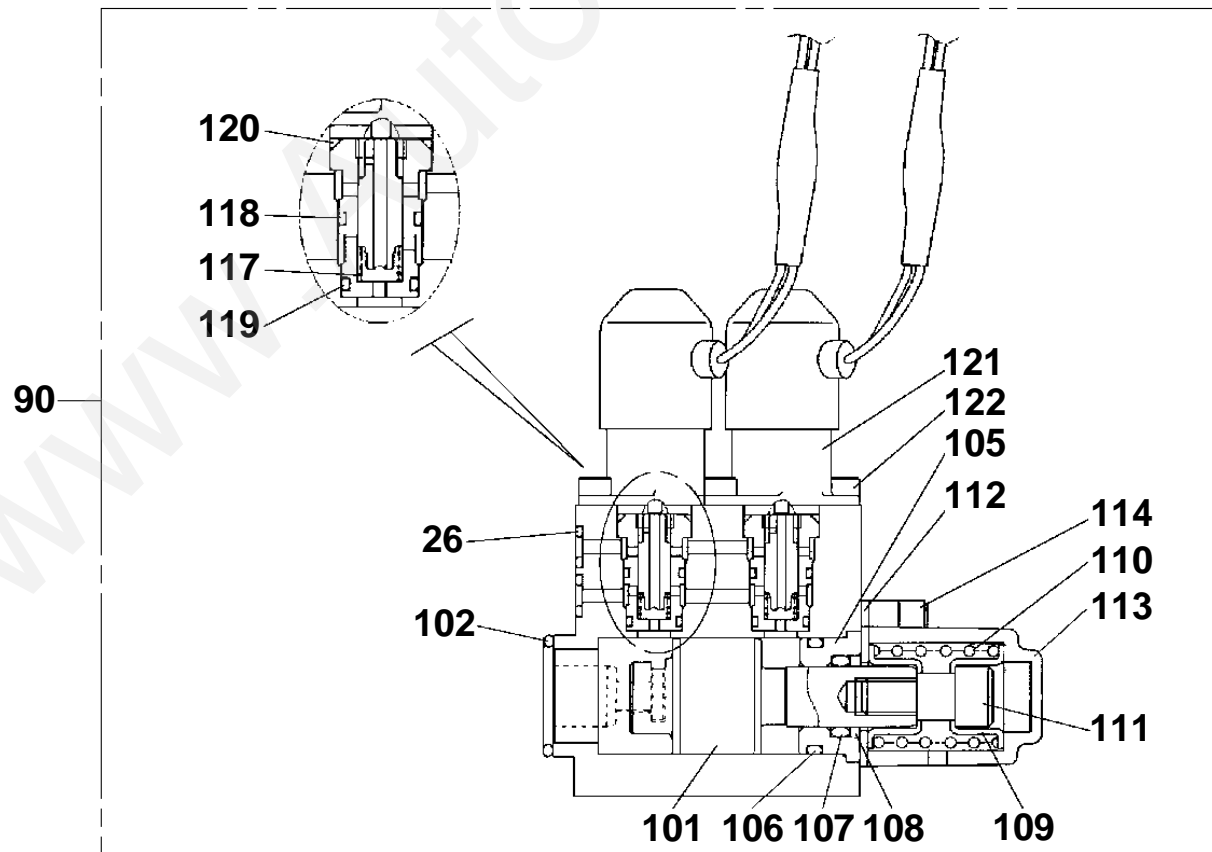
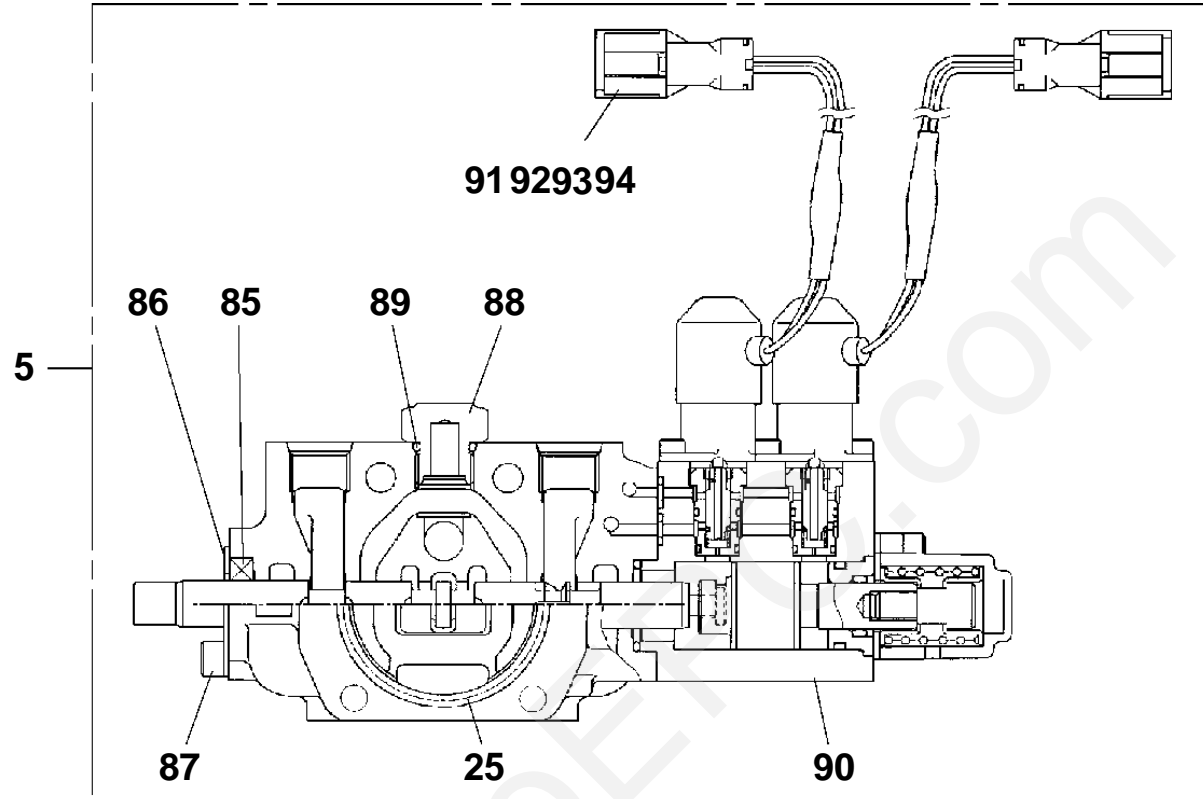
1



GR-120N-1-00111 12T,X,WINCH(W/O FREE-FALL),JIB(PT)
PB1340063-00 VALVE,SOLENOID CONTROL



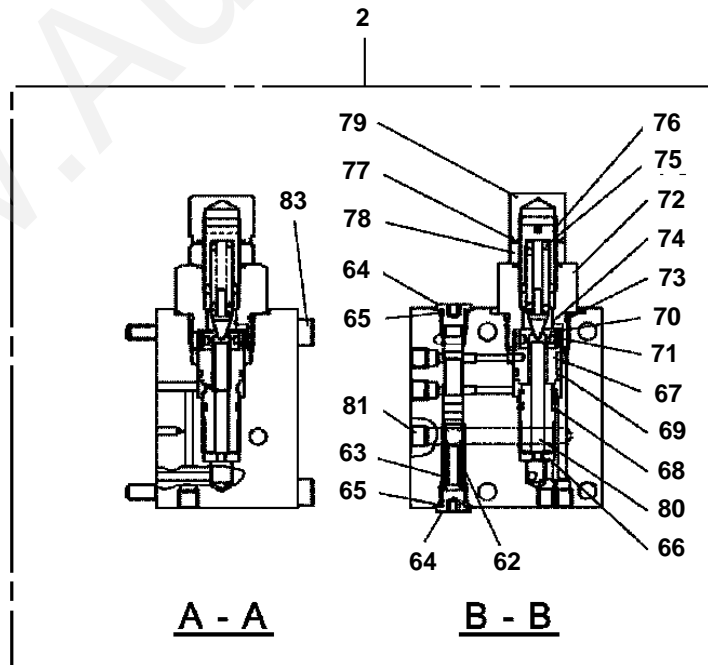
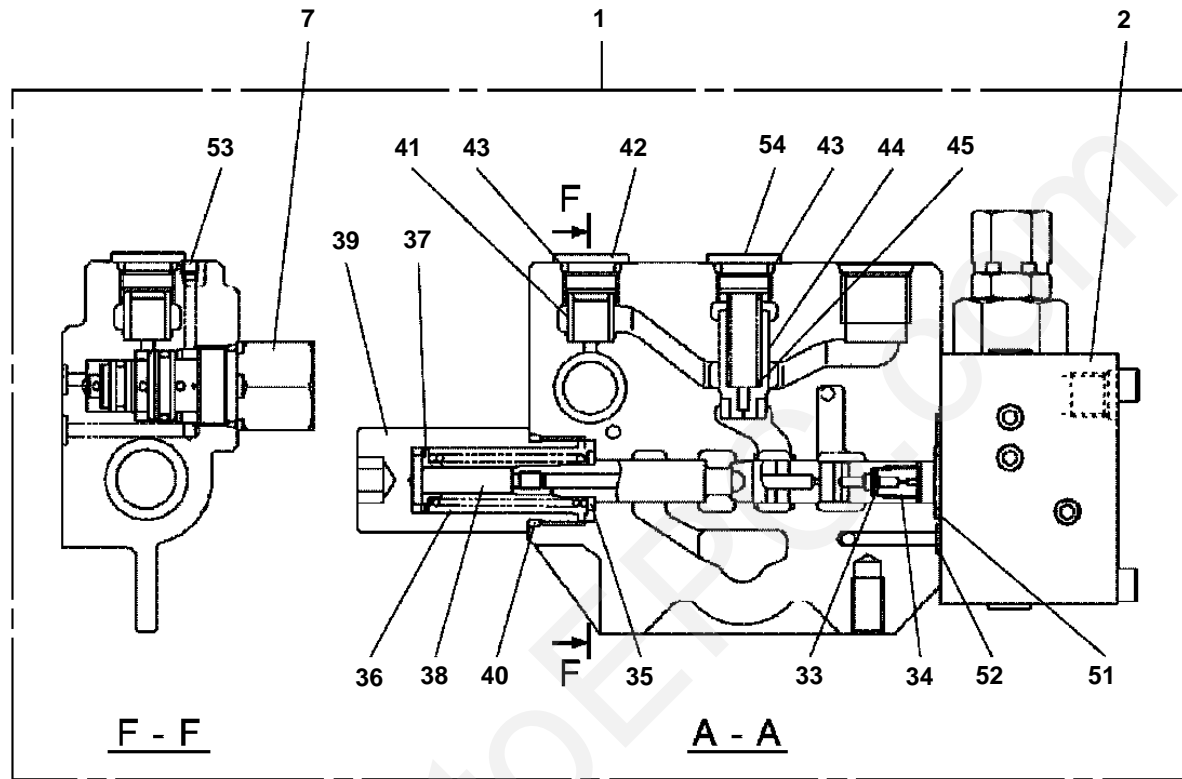
GR-120N-1-00111 12T,X,WINCH(W/O FREE-FALL),JIB(PT)
PB1340063-00 VALVE,SOLENOID CONTROL



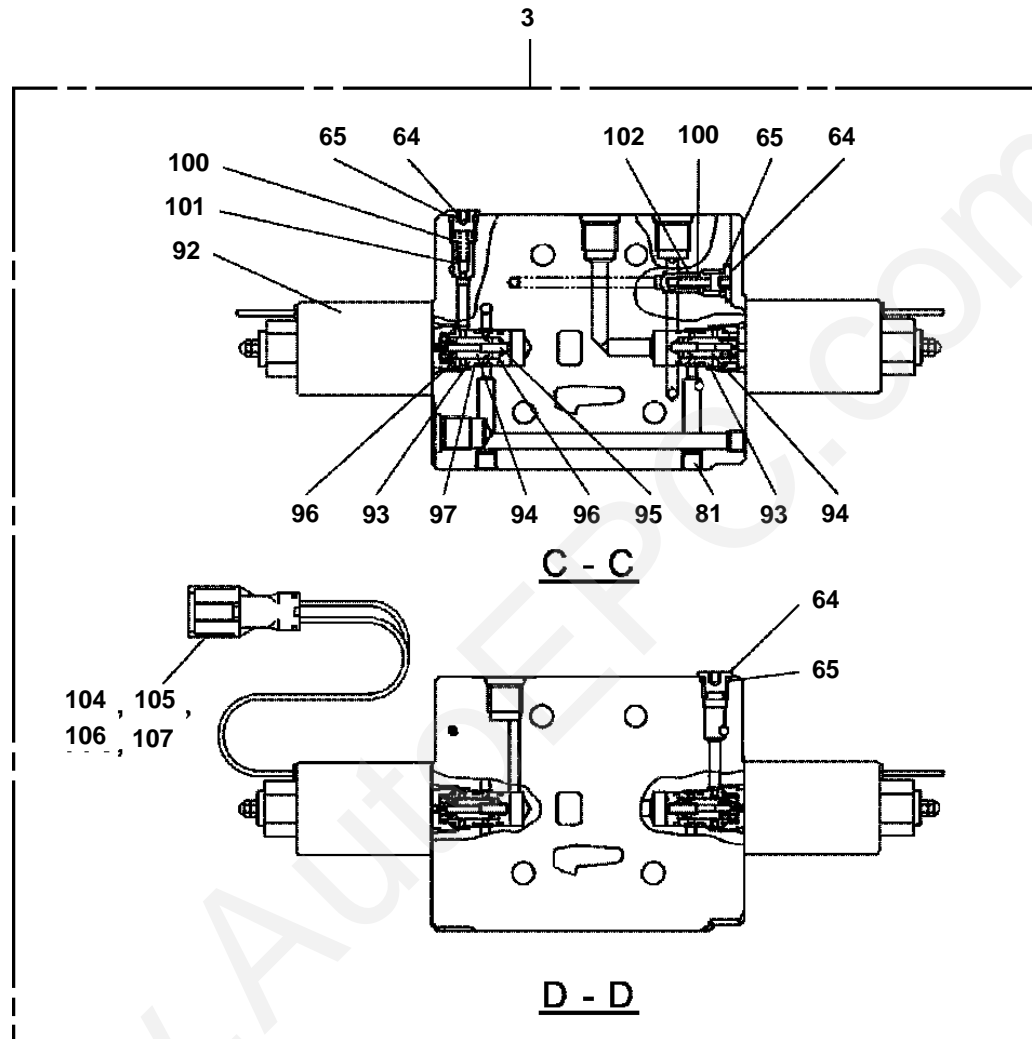
GR-120N-1-00111 12T,X,WINCH(W/O FREE-FALL),JIB(PT)

Pos No.	Parts No	Parts Name	Qty	Unit	Technical Data	Serial No (Start)	Serial No (End)	Remarks	Pages
1	36648615010	VALVE ASSY	1						
2	36645795020	VALVE,RELIEF	1						
3	36645795030	VALVE,REDUCING	1						
4	36648615020	VALVE,CONTROL	1						
5	36648615030	VALVE,CONTROL	1						
6	36634505060	BODY	1						
7	90201200800	NUT	8		M8				
8	36648615040	BOLT	4						
22	36648615050	PLUG	1						
23	91002801000	O-RING	1		1B P10				
24	91002801500	O-RING	1		1B P15				
25	91002905500	O-RING	3		1B G55				
26	91002800700	O-RING	8		1B P7				
27	91002801001	O-RING	2		1B P10A				
28	80316030020	PLUG	1		PT1/8				
29	36647205070	PLUG	1		GPM1/32				
30	36647205050	PLUG	2		NPT1-16				
43	91000501500	O-RING	1		AS568-015				
44	36630045190	SPRING	1						
47	91002802200	O-RING	2		1B P22				
50	16025153020	SPRING	1						
52	91001001600	O-RING	2		1A S16				
63	91002801200	O-RING	1		1B P12				
64	36645795060	FILTER	1						
65	91002801600	O-RING	1		1B P16				
67	36645795070	SPRING	1						
85	56051331100	SEAL,OIL	2						
86	12435101180	RETAINER (SEAL)	2						
87	90131906010	BOLT,HEXAGON SOCKET	4		M6X10				
88	36635045040	RETAINER (VALVE)	2						
89	91002801400	O-RING	2		1B P14				
90	36648615060	VALVE,PILOT	2						
91	36648615070	CONNECTOR	4						
92	82111101010	TERMINAL	8						
93	82121101085	PLUG (AVS0.85)	8						
94	82121102020	HOLDER	4						
101	36648615080	PISTON	2						
102	91001102200	O-RING	2		1A P22				
105	36648615090	CASE	2						
106	91001102100	O-RING	2		1A P21				
107	36643175030	O-RING	2		P13				
108	36645795080	RING,BACKUP	2						
109	12435101170	RETAINER (SPRING)	4						
110	12435101120	SPRING	2						
111	36633265030	END,SPOOL	2						
112	36631975030	RETAINER (SEAL)	2						
113	36630875080	COVER (SPRING)	2						
114	36648615100	BOLT,HEXAGON SOCKET	4		M6X80				
117	36637335270	SPRING	4						
118	91001001120	O-RING	4		1A S11.2				
119	36637335240	O-RING	4		1AS10				
120	36637335260	O-RING	4		1AS14				
121	36648615110	SOLENOID ASSY (WITH CONNECTOR)	4						
122	90131904008	BOLT,HEXAGON SOCKET	8		M4X8				
200	36648610000	VALVE,SOLENOID CONTROL	1						

GR-120N-1-00111 12T,X,WINCH(W/O FREE-FALL),JIB(P.T)
PB1340077-01 VALVE,SOLENOID CONTROL



GR-120N-1-00111 12T,X,WINCH(W/O FREE-FALL),JIB(P.T)
PB1340077-01 VALVE,SOLENOID CONTROL



GR-120N-1-00111 12T,X,WINCH(W/O FREE-FALL),JIB(PT)

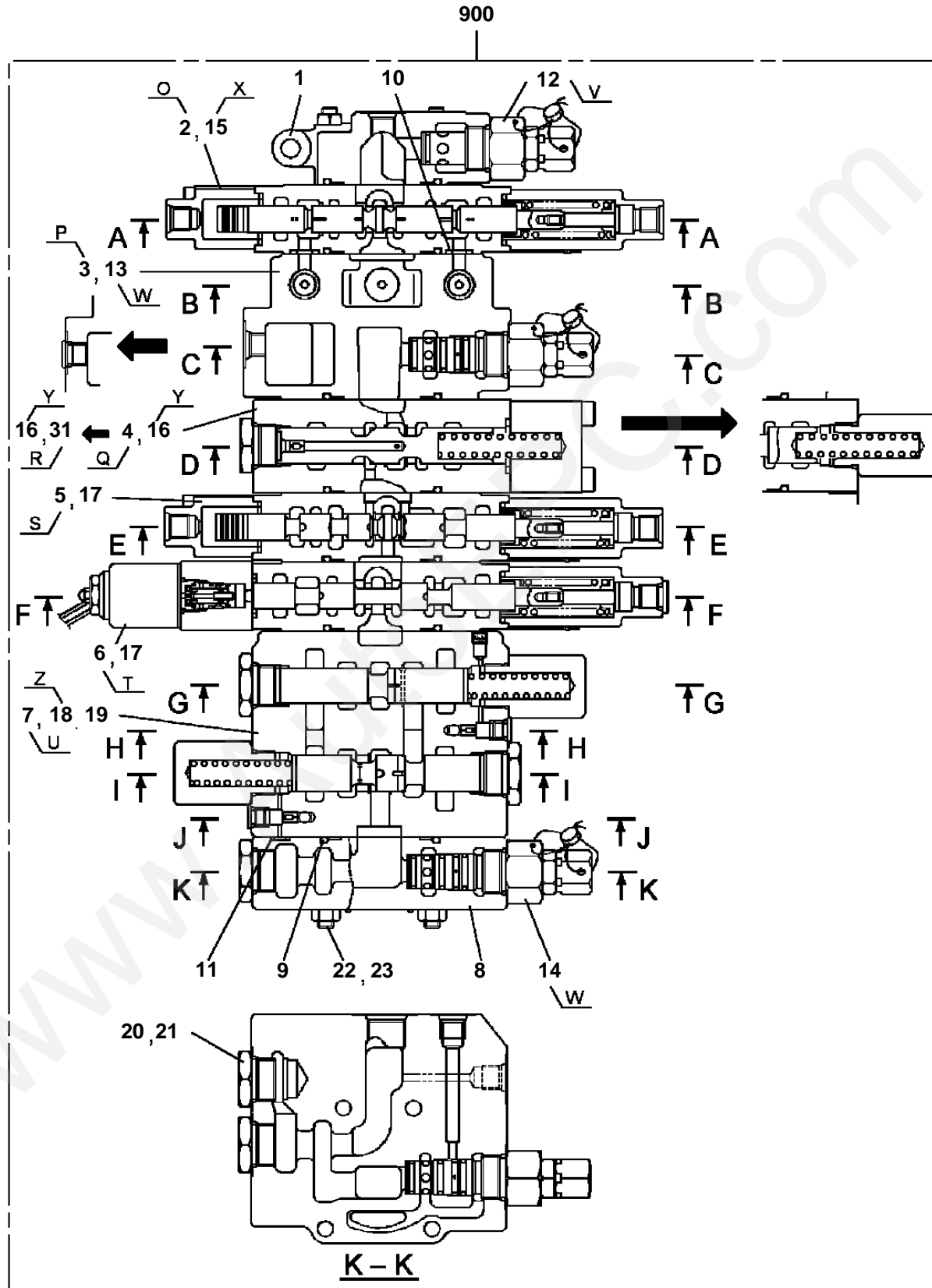
Pos No.	Parts No	Parts Name	Qty	Unit	Technical Data	Serial No (Start)	Serial No (End)	Remarks	Pages
1	36648935011	BODY	1						
2	36648935021	VALVE,UNLOAD	1						
3	36648945010	VALVE,PILOT	1						
4	36646565030	COVER (BOTTOM)	1						
5	90131908065	BOLT,HEXAGON SOCKET	4		M8X65				
6	36647205050	PLUG	4		NPT1-16				
7	36648935042	VALVE,REDUCING	1						
8	91002800600	O-RING	7		1B P6				
9	91002905500	O-RING	2		1B G55				
33	36646005120	FILTER	1						
34	36648935050	CHOKE	1						
35	90303101001	WASHER,PLAIN	1		10				
36	36648935061	SPRING	1						
37	36648935070	GUIDE,SPRING	1						
38	36648935080	END,ROD	1						
39	36648935091	GUIDE,SPRING	1						
40	16095101070	O-RING	1						
41	36603765010	FILTER	1						
42	36648935101	PLUG	1						
43	91002801400	O-RING	2		1B P14				
44	36648935111	VALVE	1						
45	36648935121	SPRING	1						
51	91002801800	O-RING	1		1B P18				
52	91002800600	O-RING	2		1B P6				
53	36647205070	PLUG	1		GPM1/32				
54	36637495180	PLUG	1						
62	36646005150	SPRING (RETURN)	1						
63	36648935150	SPOOL	1						
64	36634915280	PLUG	5						
65	91002800800	O-RING	5		1B P8				
66	36647465090	SPACER	1						
67	36648935160	SOCKET	1						
68	91000501300	O-RING	1		AS568-013				
69	91000501500	O-RING	1		AS568-015				
70	36647465070	SEAT	1						
71	91002801001	O-RING	1		1B P10A				
72	36646005290	BODY (REGULATOR)	1						
73	91002802200	O-RING	2		1B P22				
74	14225101010	VALVE,REGULATOR	1						
75	16025153020	SPRING	1						
76	36630045200	SCREW (ADJUSTING)	1		M10X25				
77	91001001600	O-RING	2		1A S16				
78	36630045220	NUT	1		M10				
79	36648935170	NUT,CAP	1						
80	36648935180	ROLLER,NEEDLE	1						
81	36647205050	PLUG	10		NPT1-16				
83	90131906065	BOLT,HEXAGON SOCKET	4		M6X65				
92	36637335460	SOLENOID ASSY	2						
93	36648935190	SOCKET	2						
94	36648935200	VALVE	2						
95	36646005170	SPRING	2						
96	91001001120	O-RING	4		1A S11.2				
97	91001001200	O-RING	2		1A S12				
100	36646005180	SPRING	2						
101	36646005330	SEAT (A)	1						
102	36646005340	SEAT (B)	1						

GR-120N-1-00111 12T,X,WINCH(W/O FREE-FALL),JIB(PT)

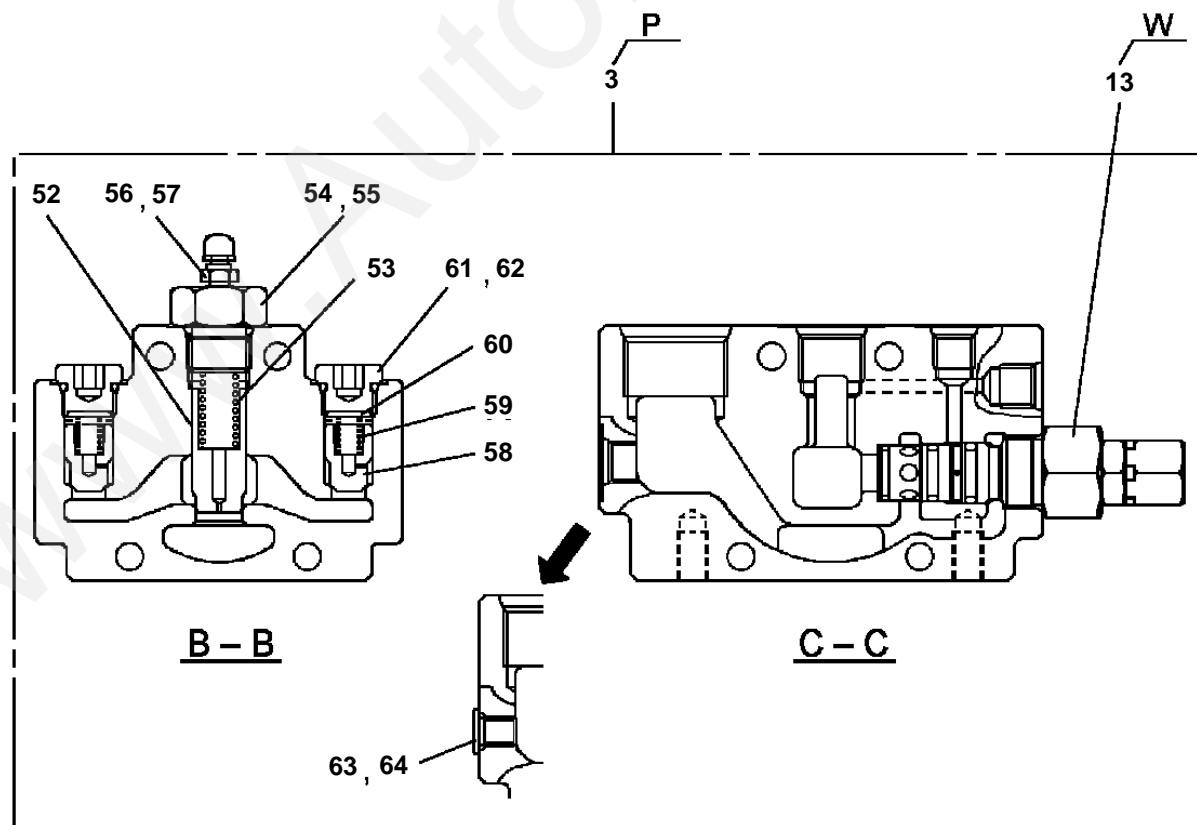
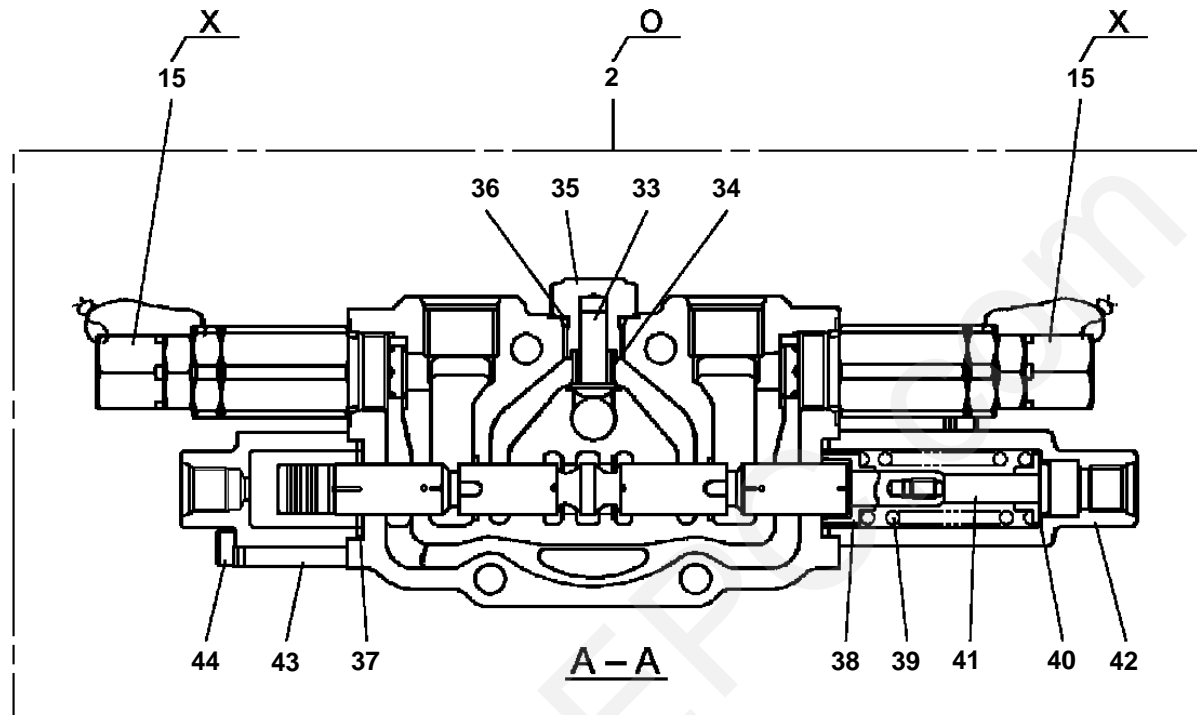
Pos No.	Parts No	Parts Name	Qty	Unit	Technical Data	Serial No (Start)	Serial No (End)	Remarks	Pages
104	82114101020	CONNECTOR (2P,MALE)	2						
105	82111101010	TERMINAL	4						
106	82121101085	PLUG (AVS0.85)	4						
107	82121102020	HOLDER	2						
113	91002801200	O-RING	1		1B P12				
114	91002801600	O-RING	1		1B P16				
115	90303070501	WASHER,PLAIN	1		5				
116	36648935260	SPRING	1						
118	36648935250	CAP	1						
200	36648930001	VALVE,SOLENOID CONTROL	1						

www.AutoEPC.com

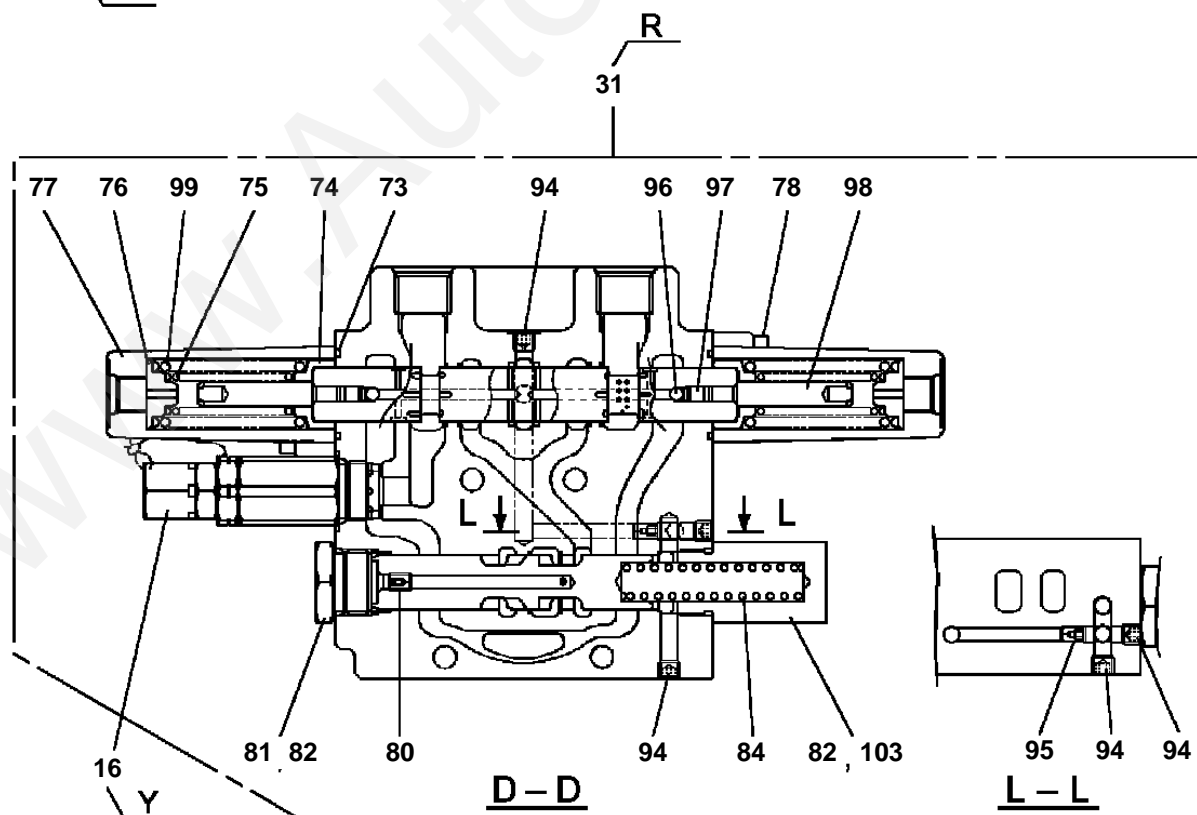
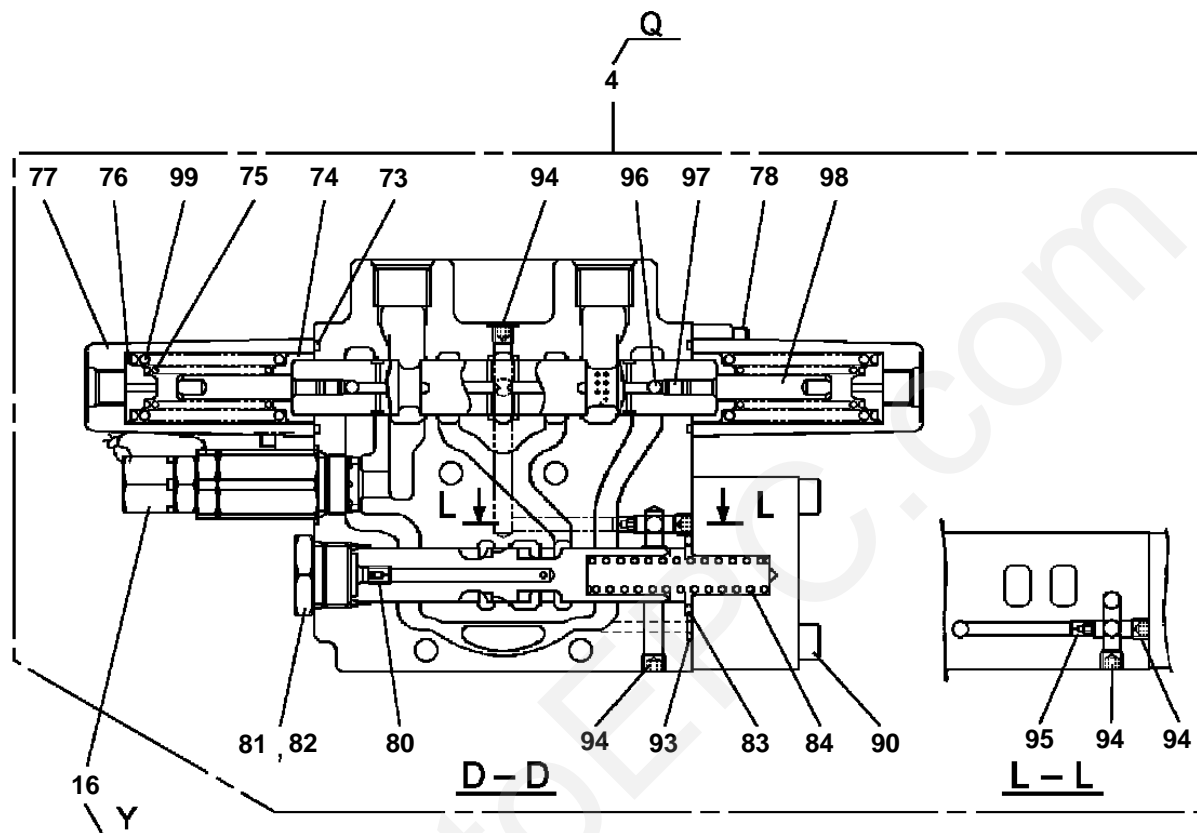
GR-120N-1-00111 12T,X,WINCH(W/O FREE-FALL),JIB(PT)
PB1350016-02 VALVE,PILOT OPERATED CONTROL



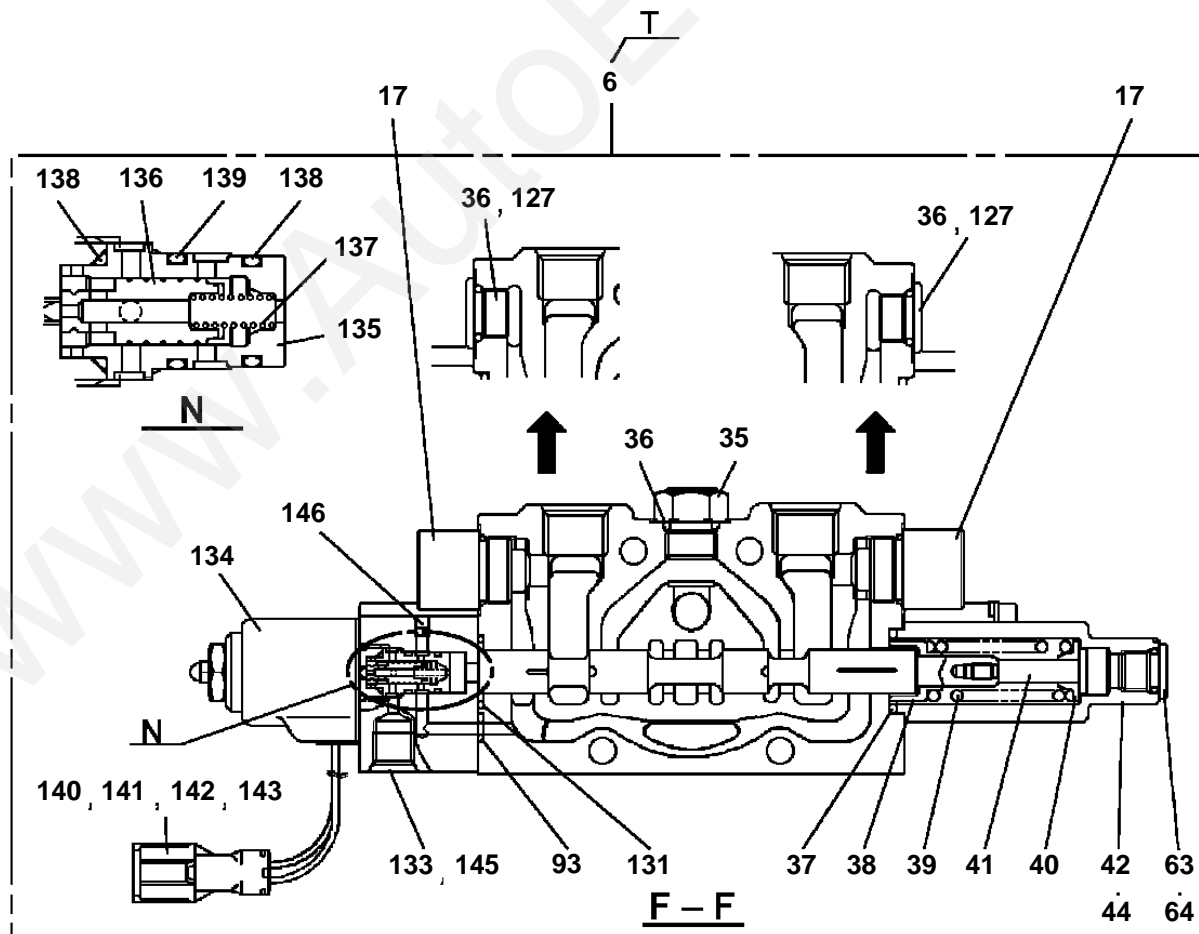
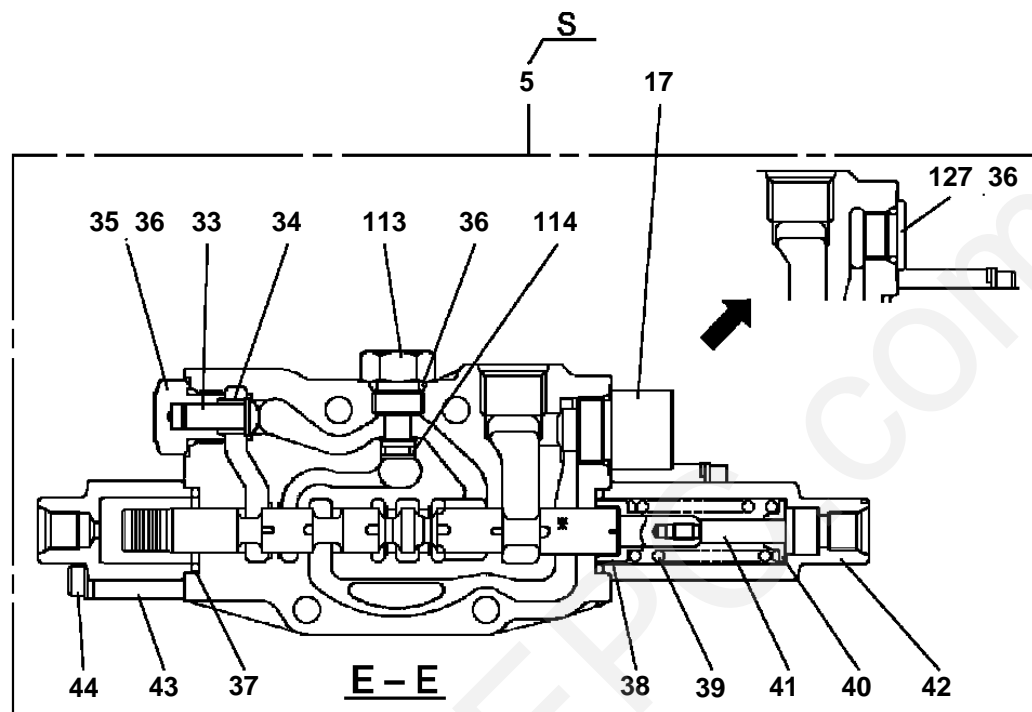
GR-120N-1-00111 12T,X,WINCH(W/O FREE-FALL),JIB(P.T)
PB1350016-02 VALVE,PILOT OPERATED CONTROL



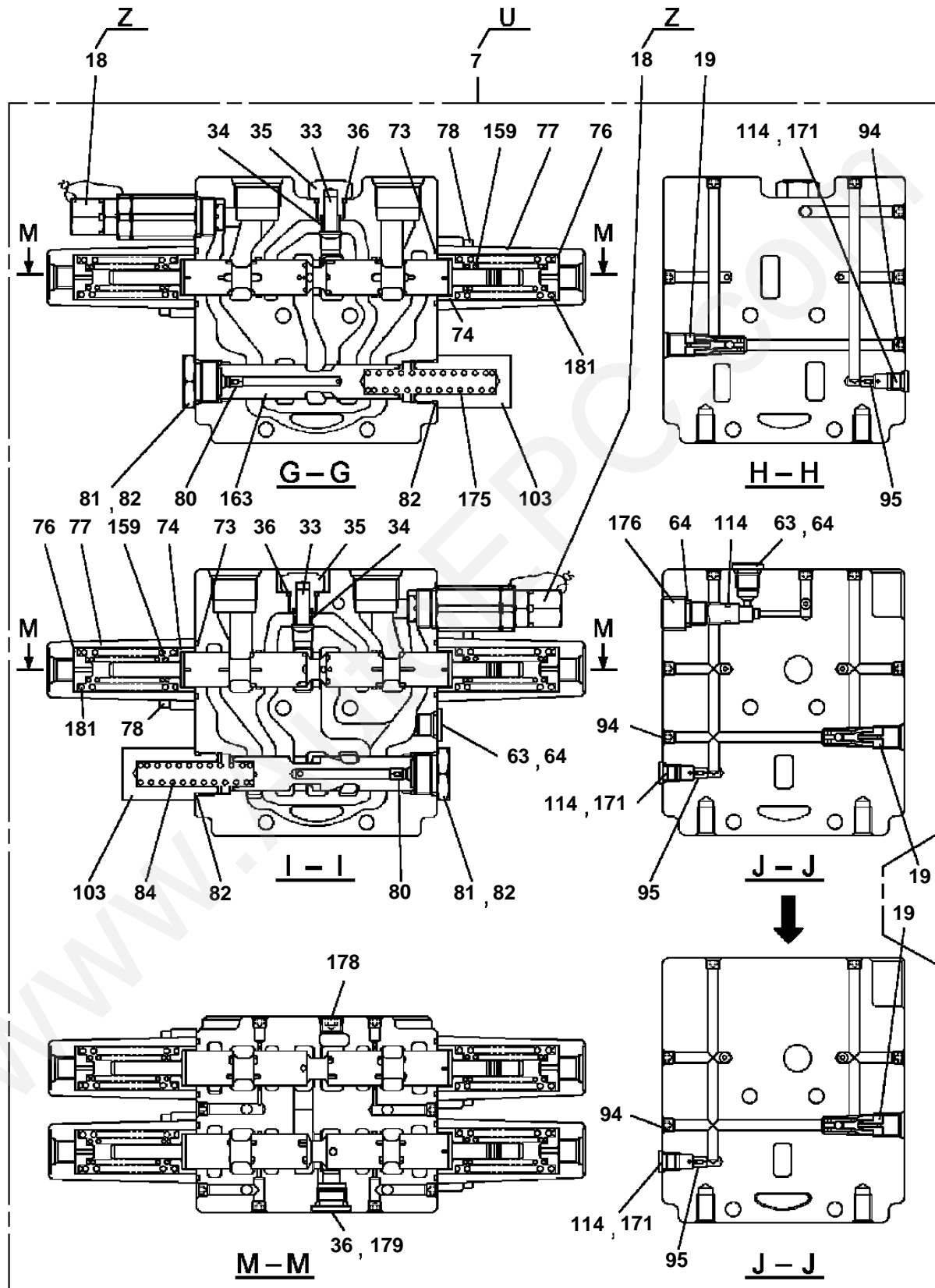
GR-120N-1-00111 12T,X,WINCH(W/O FREE-FALL),JIB(P.T)
PB1350016-02 VALVE,PILOT OPERATED CONTROL



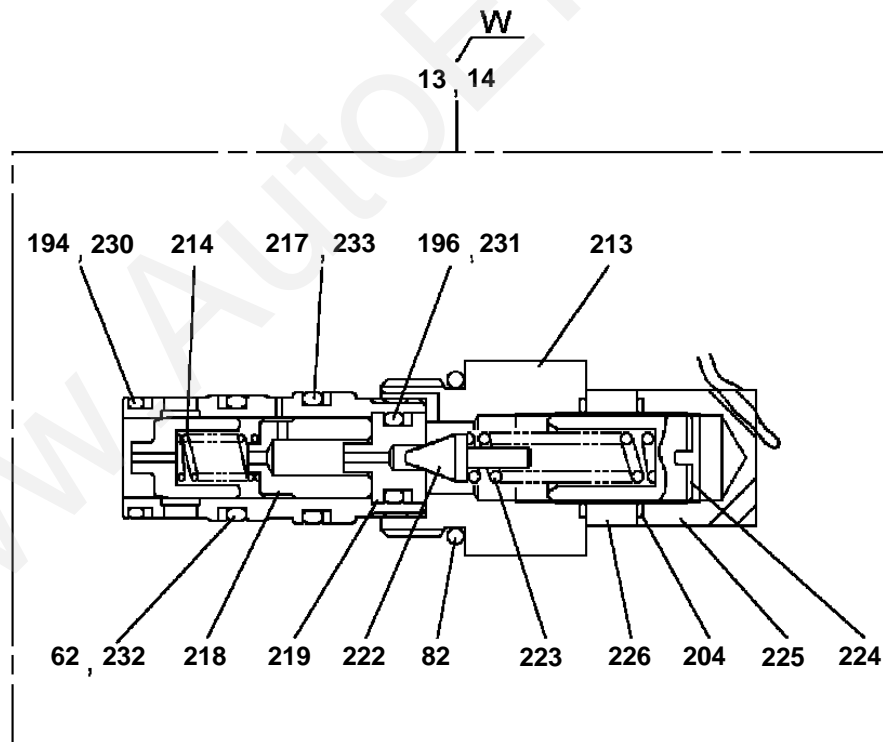
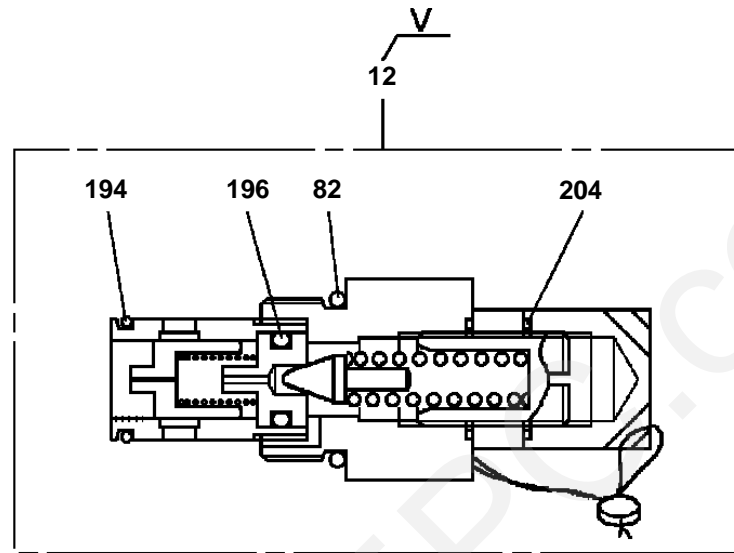
GR-120N-1-00111 12T,X,WINCH(W/O FREE-FALL),JIB(P.T)
 PB1350016-02 VALVE,PILOT OPERATED CONTROL



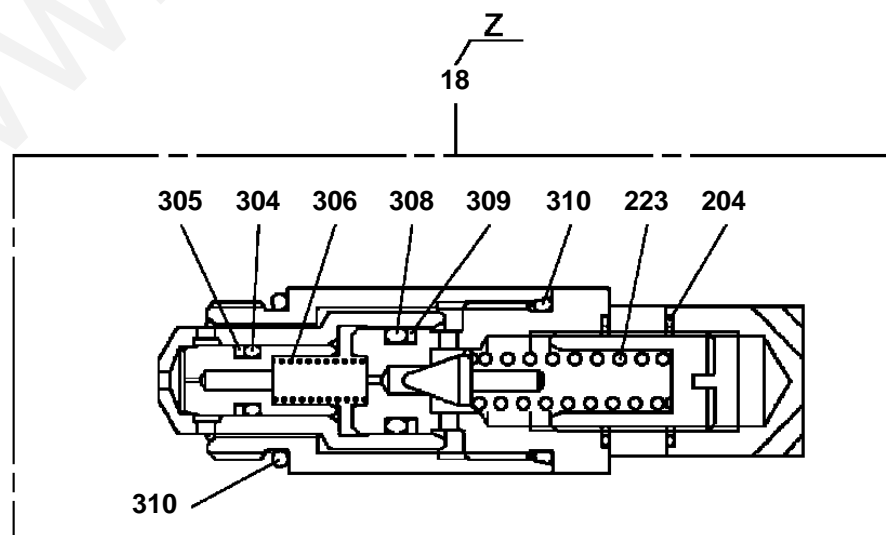
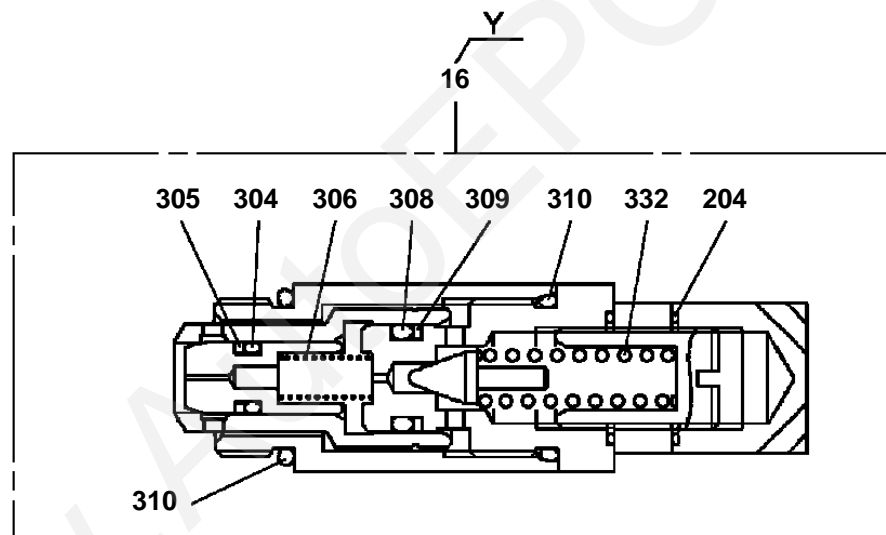
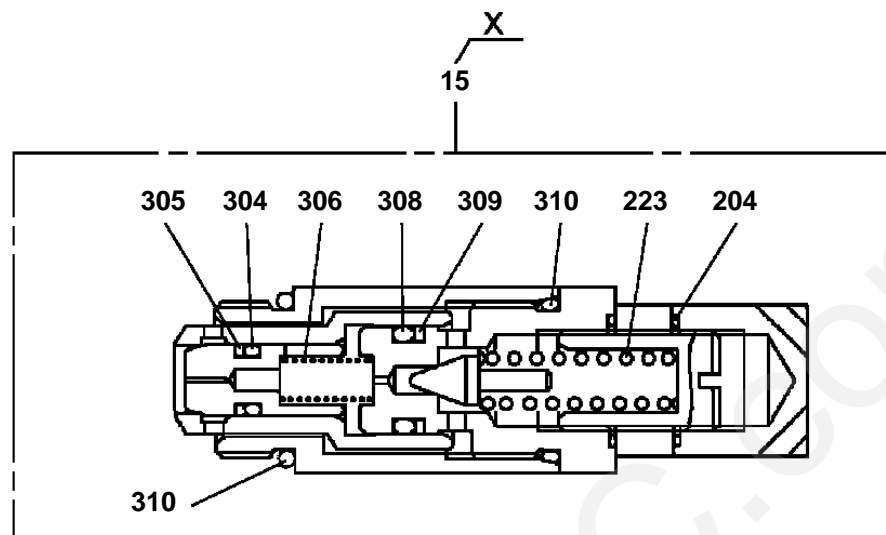
GR-120N-1-00111 12T,X,WINCH(W/O FREE-FALL),JIB(P.T)
PB1350016-02 VALVE,PILOT OPERATED CONTROL



GR-120N-1-00111 12T,X,WINCH(W/O FREE-FALL),JIB(P.T)
PB1350016-02 VALVE,PILOT OPERATED CONTROL



GR-120N-1-00111 12T,X,WINCH(W/O FREE-FALL),JIB(P.T)
PB1350016-02 VALVE,PILOT OPERATED CONTROL



GR-120N-1-00111 12T,X,WINCH(W/O FREE-FALL),JIB(PT)

Pos No.	Parts No	Parts Name	Qty	Unit	Technical Data	Serial No (Start)	Serial No (End)	Remarks	Pages
1	36634915040	BODY	1						
2	36648955010	VALVE,CONTROL	1						
3	36648955020	BODY	1				FD1887		
	36741935010	BODY	1			FD1888			
4	36648955030	VALVE,CONTROL	1				FD0059		
5	36649465010	VALVE,CONTROL	1						
6	36648955050	VALVE,CONTROL	1				FD0421		
	36648955051	VALVE,CONTROL	1			FD0422			
7	36648955060	VALVE,CONTROL	1				FD1887		
	36741935030	VALVE,CONTROL	1			FD1888			
8	36636005060	BODY	1						
9	16095101080	O-RING	7		WG6				
10	91002801100	O-RING	2		1B P11				
11	91002800700	O-RING	1		1B P7				
12	36648955070	VALVE,RELIEF	1						
13	36648955090	VALVE,RELIEF	1				FD0059		
	36648955100	VALVE,RELIEF	1			FD0060			
14	36648955120	VALVE,RELIEF	1				FD0059		
	36648955130	VALVE,RELIEF	1			FD0060			
15	36648955220	VALVE,OVERLOAD RELIEF	2						
16	36648955230	VALVE,OVERLOAD RELIEF	1						
17	36648955150	PLUG	3				FD0059		
18	36648955170	VALVE,OVERLOAD RELIEF	2						
19	36636005110	VALVE (SLOW-RETURN)	2						
20	36634915300	PLUG	2						
21	91002802200	O-RING	2		1B P22				
22	36648955180	BOLT,STUD	4						
23	90201200800	NUT	8		M8				
31	36648955031	VALVE,CONTROL	1			FD0060			
33	36636435060	VALVE,CHECK	4						
34	36635555080	SPRING	4						
35	36635045040	RETAINER (VALVE)	2				FD1887		
	36635045040	RETAINER (VALVE)	2						
	36635045040	RETAINER (VALVE)	1				FD0421		
	36635045040	RETAINER (VALVE)	1			FD0422			
	36635045040	RETAINER (VALVE)	2			FD1888			
36	91002801400	O-RING	1		1B P14				
	91002801400	O-RING	1		1B P14		FD0042		
	91002801400	O-RING	3		1B P14		FD1887		
	91002801400	O-RING	2		1B P14		FD0059		
	91002801400	O-RING	3		1B P14	FD0043	FD0421		
	91002801400	O-RING	3		1B P14	FD0060			
	91002801400	O-RING	3		1B P14	FD0422			
	91002801400	O-RING	3		1B P14	FD1888			
37	91000511900	O-RING	5		AS568-119				
38	36648955250	RETAINER (SPRING)	3						
39	36648955240	SPRING	3						
40	36648955260	RETAINER (SPRING)	3						
41	36648935080	END,ROD	3						
42	36648955270	COVER	3						
43	36648955280	COVER	2						
44	36648955290	BOLT,HEXAGON SOCKET	10						
52	36648955300	VALVE	1						
53	36634915240	SPRING	1						
54	36634915210	PLUG	1						
55	91002801800	O-RING	1		1B P18				

GR-120N-1-00111 12T,X,WINCH(W/O FREE-FALL),JIB(PT)

Pos No.	Parts No	Parts Name	Qty	Unit	Technical Data	Serial No (Start)	Serial No (End)	Remarks	Pages
56	36060015070	SCREW (BLEDER)	1						
57	36060015080	SCREW (CAP)	1						
58	36648955310	VALVE	2						
59	36634915230	SPRING	2						
60	36634915220	RETAINER (SPRING)	2						
61	36634915200	PLUG	2						
62	91002801500	O-RING	2		1B P15		FD1887		
	91002801500	O-RING	2		1B P15	FD0060			
	91002801500	O-RING	2		1B P15	FD1888			
63	36634535210	PLUG	1		PF1/4		FD1887		
	36634535210	PLUG	1		PF1/4		FD0421		
	36634535210	PLUG	2		PF1/4		FD0042		
	36634535210	PLUG	1		PF1/4	FD0422			
	36741935150	PLUG	1			FD1888			
64	91002801100	O-RING	3		1B P11		FD0042		
	91002801100	O-RING	1		1B P11		FD0421		
	91002801100	O-RING	1		1B P11		FD1887		
	91002801100	O-RING	1		1B P11	FD0422			
	91002801100	O-RING	1		1B P11	FD1888			
73	36634915320	O-RING	2		1B S30		FD0059		
	36634915320	O-RING	4		1B S30		FD1887		
	36634915320	O-RING	2		1B S30	FD0060			
	36634915320	O-RING	4		1B S30	FD1888			
74	36648955320	RETAINER (SPRING)	4				FD1887		
	36648955320	RETAINER (SPRING)	2				FD0059		
	36648955320	RETAINER (SPRING)	2			FD0060			
	36648955320	RETAINER (SPRING)	4			FD1888			
75	36648955360	SPRING	2						
76	36648955330	SEAT,SPRING	4				FD1887		
	36648955330	SEAT,SPRING	2				FD0059		
	36648955330	SEAT,SPRING	2			FD0060			
	36648955330	SEAT,SPRING	4			FD1888			
77	36648955350	COVER	4				FD1887		
	36648955350	COVER	2				FD0059		
	36648955350	COVER	2			FD0060			
	36740725080	COVER (PILOT)	4			FD1888			
78	90131906025	BOLT,HEXAGON SOCKET	8		M6X25		FD1887		
	90131906025	BOLT,HEXAGON SOCKET	4		M6X25		FD0059		
	90131906025	BOLT,HEXAGON SOCKET	4		M6X25	FD0060			
	90131906025	BOLT,HEXAGON SOCKET	8		M6X25	FD1888			
80	36631985090	CHOKE	2				FD1887		
	36631985090	CHOKE	1				FD0059		
	36631985090	CHOKE	1			FD0060			
	36631985090	CHOKE	2			FD1888			
81	36634915300	PLUG	1				FD0059		
	36634915300	PLUG	2				FD1887		
	36634915300	PLUG	1			FD0060			
	36634915300	PLUG	2			FD1888			
82	91002802200	O-RING	4		1B P22		FD1887		
	91002802200	O-RING	1		1B P22		FD0059		
	91002802200	O-RING	1		1B P22				
	91002802200	O-RING	4		1B P22	FD0060			
	91002802200	O-RING	4		1B P22	FD1888			
83	91002902500	O-RING	1		1B G25		FD0059		
84	36633405140	SPRING	1				FD1887		
	36633405140	SPRING	1				FD0059		

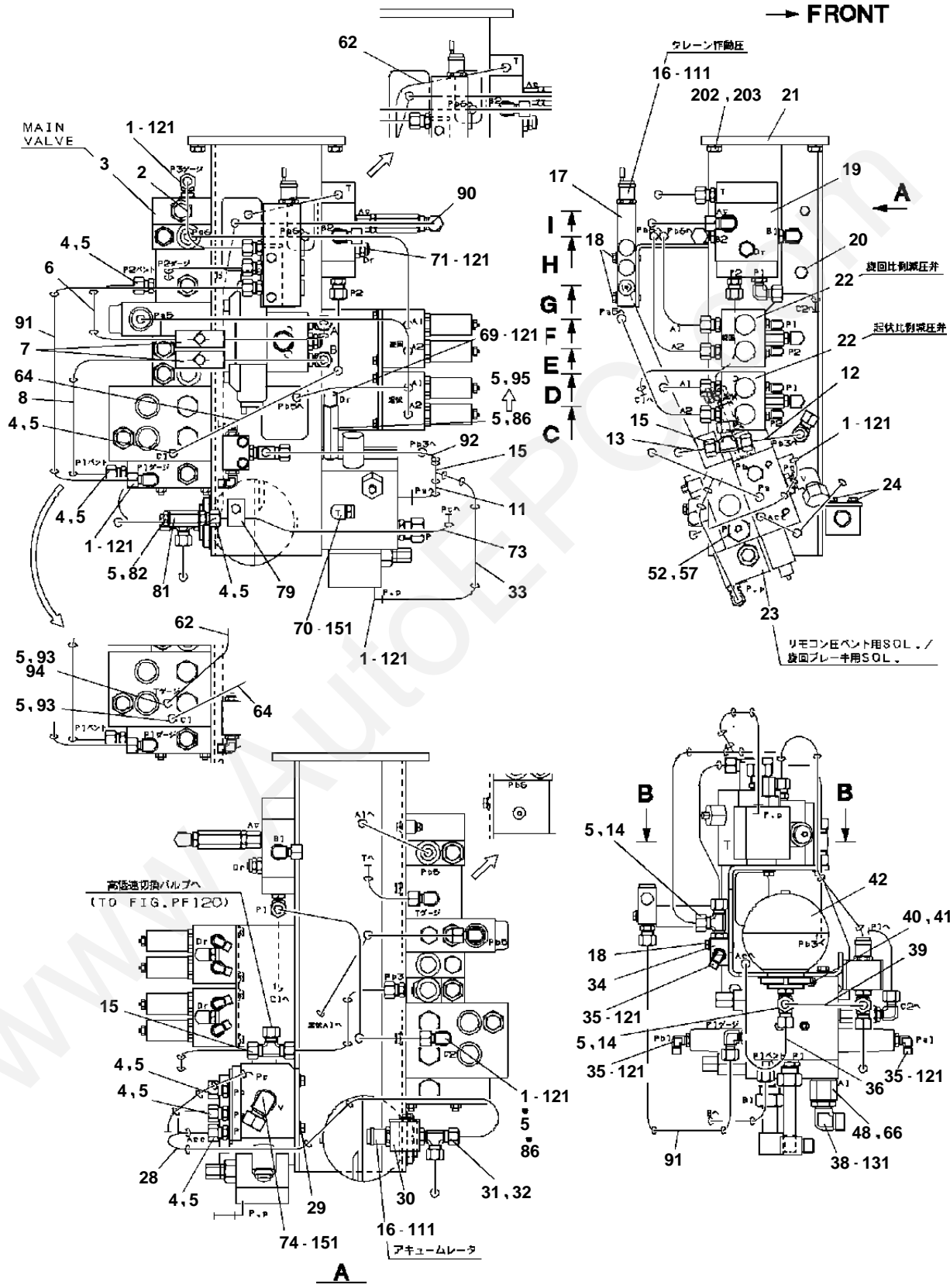
GR-120N-1-00111 12T,X,WINCH(W/O FREE-FALL),JIB(PT)

Pos No.	Parts No	Parts Name	Qty	Unit	Technical Data	Serial No (Start)	Serial No (End)	Remarks	Pages
84	36633405140	SPRING	1			FD0060			
	36633405140	SPRING	1			FD1888			
90	90131908050	BOLT,HEXAGON SOCKET <M8X50.	4				FD0059		
93	91002800600	O-RING	1		1B P6				
	91002800600	O-RING	1		1B P6		FD0059		
94	36647205050	PLUG	4		NPT1-16		FD0059		
	36647205050	PLUG	20		NPT1-16		FD0042		
	36647205050	PLUG	17		NPT1-16	FD0043	FD1887		
	36647205050	PLUG	4		NPT1-16	FD0060			
	36647205050	PLUG	17		NPT1-16	FD1888			
95	36630285200	CHOKE	1				FD0059		
	36630285200	CHOKE	2				FD1887		
	36630285200	CHOKE	1			FD0060			
	36630285200	CHOKE	2			FD1888			
96	36648955380	BALL,STEEL	2						
97	90720006080	SCREW,SET	2						
98	36648955340	END,SPOOL	2						
99	36648955370	SPRING	2						
103	36634915310	RETAINER (SPRING)	2				FD1887		
	36634915310	RETAINER (SPRING)	1			FD0060			
	36634915310	RETAINER (SPRING)	2			FD1888			
113	36648955390	PLUG	1						
114	91002800800	O-RING	1		1B P8				
	91002800800	O-RING	3		1B P8		FD0042		
	91002800800	O-RING	2		1B P8	FD0043			
127	36634915250	PLUG	2			FD0043		FD0421	
	36634915250	PLUG	1			FD0060			
	36634915250	PLUG	2			FD0422			
131	91002802000	O-RING	1		1B P20				
133	36648955400	BODY	1						
134	36636005150	SOLENOID ASSY	1				FD0421		
	36637335460	SOLENOID ASSY	1			FD0422			
135	36648935190	SOCKET	1						
136	36648935200	VALVE	1						
137	36646005170	SPRING	1						
138	91001001120	O-RING	2		1A S11.2				
139	91001001200	O-RING	1		1A S12				
140	36648615070	CONNECTOR	1						
141	82111101010	TERMINAL	2						
142	82121101085	PLUG (AVS0.85)	2						
143	82121102020	HOLDER	1						
145	90131906040	BOLT,HEXAGON SOCKET	2		M6X40				
146	36647205070	PLUG	1		GPM1/32				
159	36648955410	SPRING	4						
163	36648955440	SPOOL	1						
171	36634915280	PLUG	2						
175	36648955420	SPRING	1						
176	36648955460	PLUG	1				FD0042		
178	36648955450	PLUG	1						
179	36637495180	PLUG	1						
181	36648955430	SPRING	4						
194	91000501500	O-RING	1		AS568-015				
	91000501500	O-RING	2		AS568-015	FD0060			
196	91002801001	O-RING	1		1B P10A				
	91002801001	O-RING	2		1B P10A	FD0060			
204	91001001600	O-RING	12		1A S16				

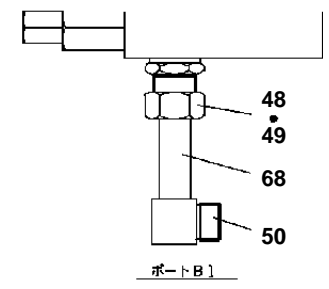
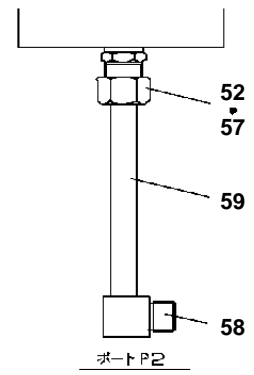
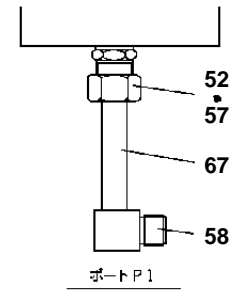
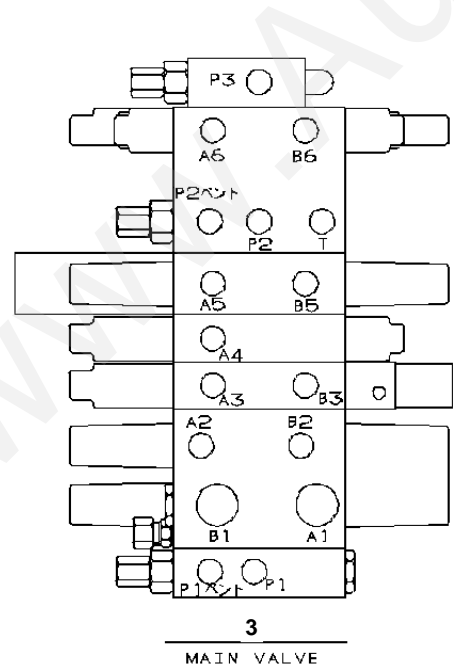
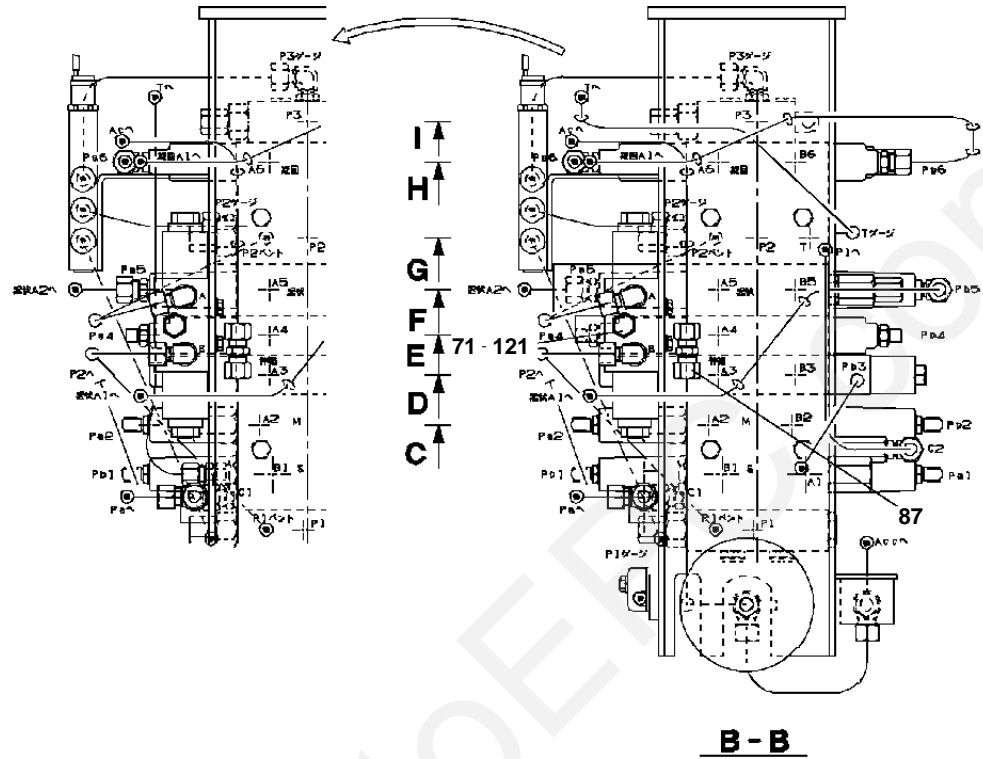
GR-120N-1-00111 12T,X,WINCH(W/O FREE-FALL),JIB(PT)

Pos No.	Parts No	Parts Name	Qty	Unit	Technical Data	Serial No (Start)	Serial No (End)	Remarks	Pages
204	91001001600	O-RING	4		1A S16	FD0060			
213	36633975090	BODY (REGULATOR)	2			FD0060			
214	16025153030	SPRING	2			FD0060			
217	91002801600	O-RING	2		1B P16	FD0060			
218	36648955190	STOPPER	2			FD0060			
219	36648955200	SEAT,VALVE	2			FD0060			
222	14225101010	VALVE,REGULATOR	2			FD0060			
223	16025153020	SPRING	4						
	16025153020	SPRING	2			FD0060			
224	36630045200	SCREW (ADJUSTING)	2		M10X25	FD0060			
225	36630295130	NUT,CAP	2			FD0060			
226	36630045220	NUT	2		M10	FD0060			
230	36648955210	RING,BACKUP	2			FD0060			
231	91411001001	RING,BACKUP	2		P10A	FD0060			
232	91411001500	RING,BACKUP	2		P15	FD0060			
233	91411001600	RING,BACKUP	2		P16	FD0060			
304	91001100600	O-RING	5		1A P6				
305	36634365110	RING,BACKUP	5						
306	36634915330	SPRING	5						
308	91001101001	O-RING	5		1A P10A				
309	36634365100	RING,BACKUP	5						
310	19215101010	O-RING	10						
332	36631215040	SPRING	1						
900	36649460000	VALVE,PILOT OPERATED CONTROL	1						

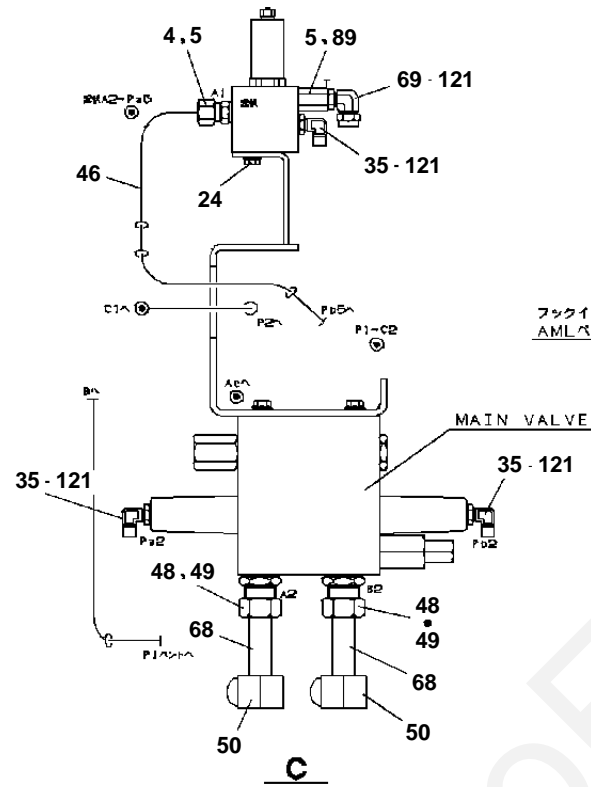
GR-120N-1-00111 12T,X,WINCH(W/O FREE-FALL),JIB(P.T)
PB1910003-02 PIPING (UNIT)



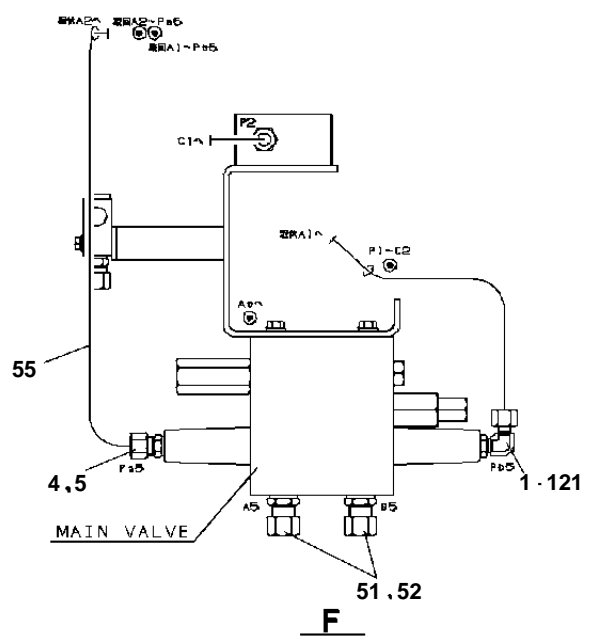
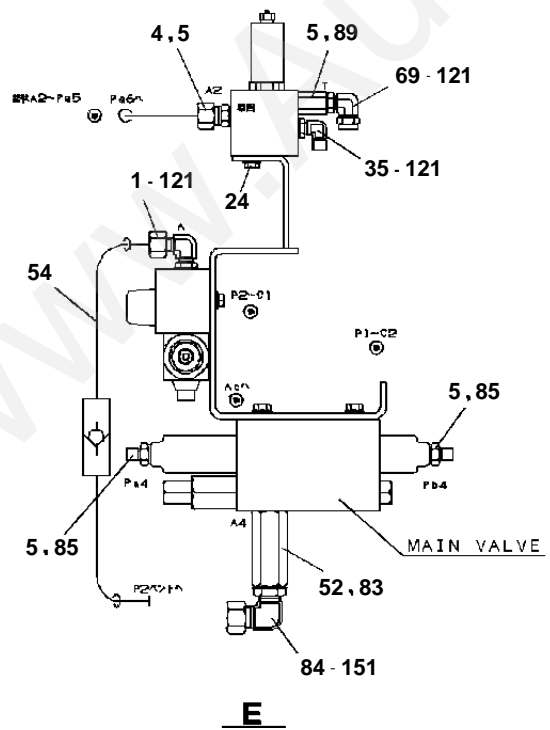
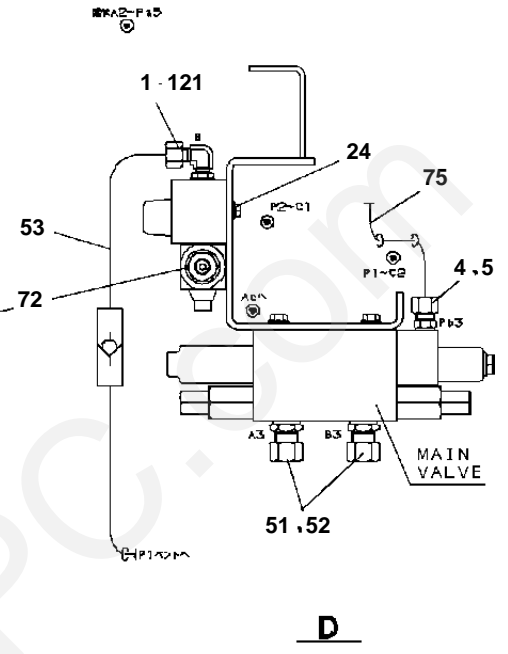
GR-120N-1-00111 12T,X,WINCH(W/O FREE-FALL),JIB(P.T)
PB1910003-02 PIPING (UNIT)



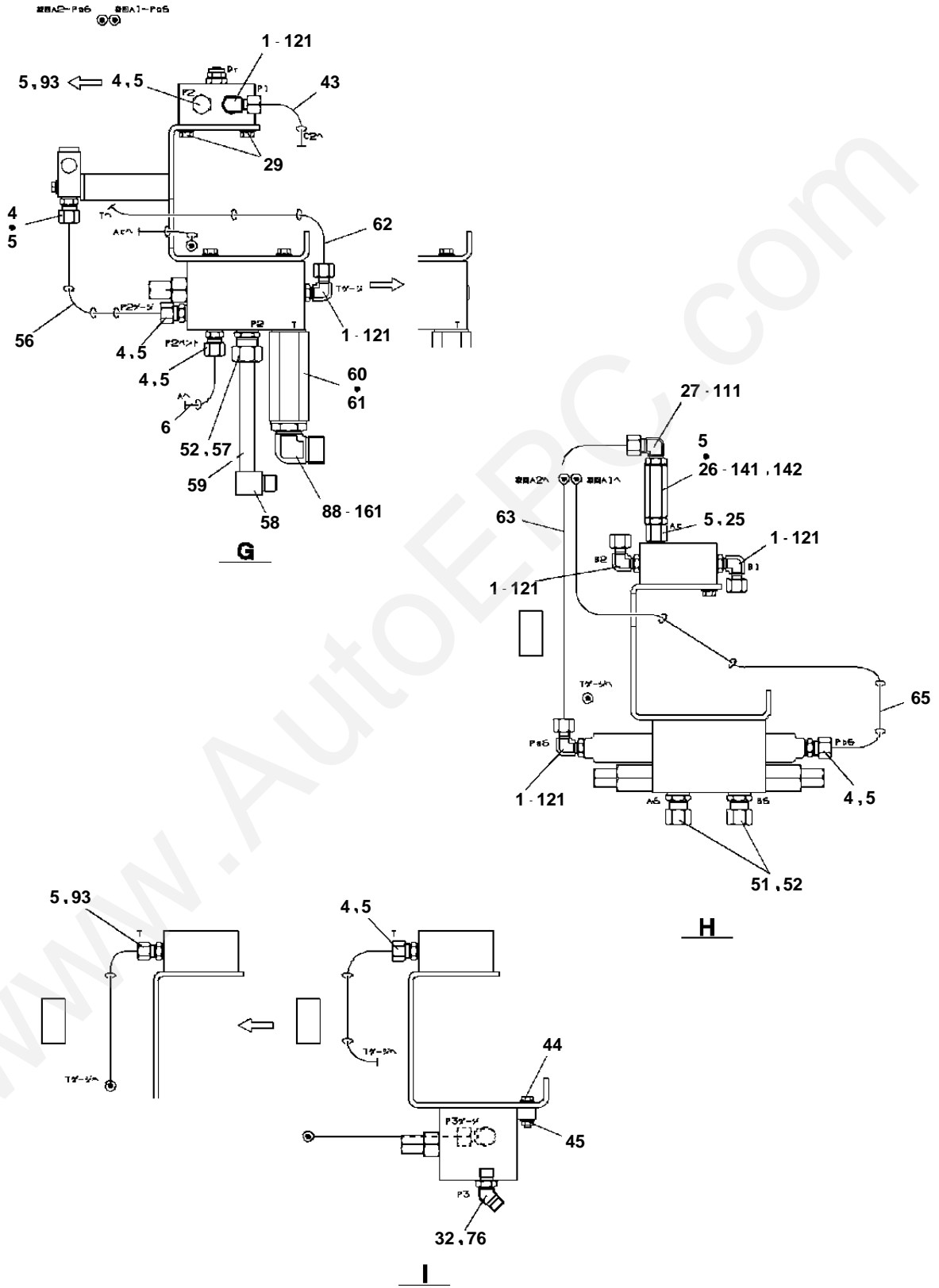
GR-120N-1-00111 12T,X,WINCH(W/O FREE-FALL),JIB(PT)
PB1910003-02 PIPING (UNIT)



フックイン用SOL. /
AMLバンド用SOL.



**GR-120N-1-00111 12T,X,WINCH(W/O FREE-FALL),JIB(PT)
PB1910003-02 PIPING (UNIT)**



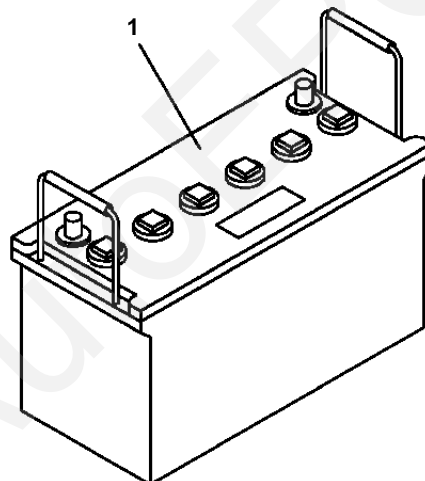
GR-120N-1-00111 12T,X,WINCH(W/O FREE-FALL),JIB(PT)

Pos No.	Parts No	Parts Name	Qty	Unit	Technical Data	Serial No (Start)	Serial No (End)	Remarks	Pages
1	80303130141	FITTING,ELBOW	12		KLO12-020E				
2	81408000160	PIPE,STEEL	1	M	12X1.4T				
3	36649460000	VALVE,PILOT OPERATED CONTROL	1						000038
4	80302090141	FITTING	17		KCO12-020N				
5	91002801100	O-RING	32		1B P11				
6	81408000160	PIPE,STEEL	1	M	12X1.4T				
7	80321112000	VALVE,CHECK	2						
8	81408000160	PIPE,STEEL	1	M	12X1.4T				
11	81408000160	PIPE,STEEL	1	M	12X1.4T				
12	81408000160	PIPE,STEEL	1	M	12X1.4T				
13	81408000160	PIPE,STEEL	1	M	12X1.4T				
14	80305151202	FITTING,TEE	2		KTK012-020N				
15	80305010100	FITTING,TEE	3		KTA12-000N				
16	36180130000	SENDER,PRESSURE	2						
17	36625120000	VALVE,CHECK	1						000129
18	90186208035	BOLT,FLANGE	4		M8X35				
19	36649500000	VALVE,HYDRAULIC	1						000121
20	90186210020	BOLT,FLANGE	4		M10X20				
21	34344142000	SUPPORT	1						
22	36730060000	VALVE,SOLENOID	2				FD0488		000108
	36730150000	VALVE,SOLENOID	2			FD0489			000115
23	36648930000	VALVE,SOLENOID CONTROL	1				FD0423		000035
	36648930001	VALVE,SOLENOID CONTROL	1			FD0424			000037
24	90186208014	BOLT,FLANGE	8		M8X14				
25	37000919390	JOINT (ORIFICE)	1		1.0				
26	36671970000	FILTER ASSY	1						
27	80303130161	FITTING,ELBOW	1		KLO12-030E				
28	81408000160	PIPE,STEEL	1	M	12X1.4T				
29	90186210014	BOLT,FLANGE	5		M10X14				
30	37000928260	JOINT	1						
31	80305151203	FITTING,TEE	1						
32	91002801400	O-RING	2		1B P14				
33	81408000160	PIPE,STEEL	1	M	12X1.4T				
34	37000924930	JOINT	1		T G1/4-G1/4-G1/4				
35	80430620400	JOINT	10						
36	81408000160	PIPE,STEEL	1	M	12X1.4T				
38	80430621200	JOINT	1						
39	81408000160	PIPE,STEEL	1	M	12X1.4T				
40	80562100110	WASHER,TOOTH	1		AW11				
41	80561100110	NUT	1		AN11				
42	36672950000	ACCUMULATOR	1						
43	81408000160	PIPE,STEEL	1	M	12X1.4T				
44	90186208030	BOLT,FLANGE	1		M8X30				
45	90280200800	NUT,FLANGE	1		M8				
46	81408000160	PIPE,STEEL	1	M	12X1.4T				
48	91002802400	O-RING	4		1B P24				
49	80302090281	FITTING	3		KCO22-060N				
50	37000908810	JOINT	3		L 22-G3/4				
51	80302090201	FITTING	6		KCO15-040N				
52	91002801800	O-RING	10		1B P18				
53	81408000160	PIPE,STEEL	1	M	12X1.4T				
54	81408000160	PIPE,STEEL	1	M	12X1.4T				
55	81408000160	PIPE,STEEL	1	M	12X1.4T				
56	81408000160	PIPE,STEEL	1	M	12X1.4T				
57	80302090241	FITTING	3		KCO18-040N				
58	37000906820	JOINT	2		L,G1/2-18				

GR-120N-1-00111 12T,X,WINCH(W/O FREE-FALL),JIB(PT)

Pos No.	Parts No	Parts Name	Qty	Unit	Technical Data	Serial No (Start)	Serial No (End)	Remarks	Pages
59	81408000241	PIPE,STEEL	1	M	18X1.9T				
60	37000928440	JOINT	1		PF1-PF1				
61	91002802900	O-RING	1		1B P29				
62	81408000130	PIPE,STEEL	1	M	10X1.8T				
63	81408000160	PIPE,STEEL	1	M	12X1.4T				
64	81408000130	PIPE,STEEL	1	M	10X1.8T				
65	81408000160	PIPE,STEEL	1	M	12X1.4T				
66	37000925630	JOINT	1		S,G3/4-G3/4				
67	81408000241	PIPE,STEEL	1	M	18X1.9T				
68	81408000290	PIPE,STEEL	3	M	22X2.5T				
69	80441030904	FITTING,ELBOW (WITH O-RING)	3		L,G1/4-12.7				
70	80441030908	FITTING,ELBOW (WITH O-RING)	1		L,G1/2-12.7				
71	80441010904	FITTING (WITH O-RING)	2		S G1/4-12.7				
72	36645770000	VALVE,SOLENOID	1						000106
73	81408000160	PIPE,STEEL	1	M	12X1.4T				
74	80303130241	FITTING,ELBOW	1		KLO18-040E				
75	81408000160	PIPE,STEEL	1	M	12X1.4T				
76	80471020503	JOINT	1		45,G3/8-G3/8				
79	37000711000	CLAMP ASSY	1		12-1				
81	37000923020	JOINT	1		S,3/8-3/8-G1/4-G1/4				
82	80316070040	PLUG	1		PF1/4				
83	37000924110	JOINT	1		S,G1/2-G1/2				
84	80303130201	FITTING,ELBOW	1		KLO15-040E				
85	80400160127	JOINT	2						
86	37000922070	JOINT	2		S,G1/4-G1/4		FD0423		
	37000922070	JOINT	1		S,G1/4-G1/4	FD0424			
87	80301010100	FITTING	1		KUA12-000N				
88	80430621600	JOINT	1						
89	37000925950	JOINT	2		S,G1/4-G1/4				
90	81408000160	PIPE,STEEL	1	M	12X1.4T				
91	81408000160	PIPE,STEEL	1	M	12X1.4T				
92	81408000160	PIPE,STEEL	1	M	12X1.4T				
93	80302090101	FITTING	4		KCO10-020N				
94	37000929010	JOINT	1						
95	37000924590	JOINT	1		S G1/4-G1/4	FD0424			
111	91002801400	O-RING	3		1B P14				
121	91002801100	O-RING	27		1B P11				
131	91002802400	O-RING	1		1B P24				
141	36671975050	BODY	1						
142	36671975060	ELEMENT	1						
151	91002801800	O-RING	3		1B P18				
161	91002802900	O-RING	1		1B P29				
202	90101512035	BOLT	4		M12X35				
203	90302041201	WASHER,SPRING	4		12				

GR-120N-1-00111 12T,X,WINCH(W/O FREE-FALL),JIB(PT)
PB5050001-00 BATTERY (HYUNDAI ENERCELL)

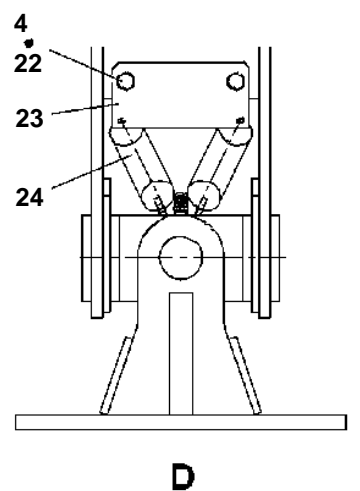
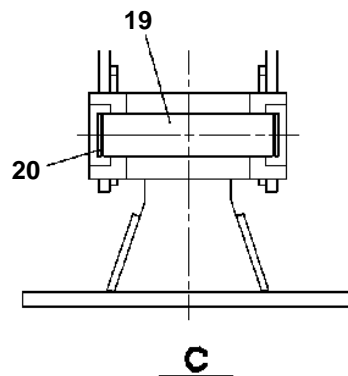
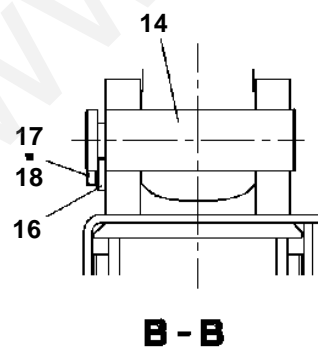
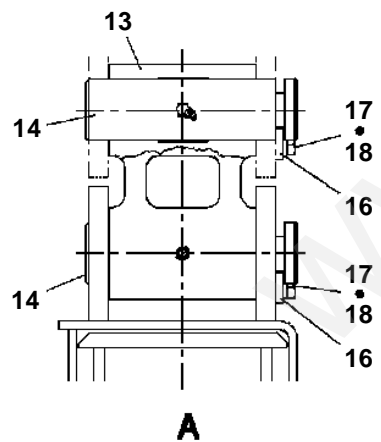
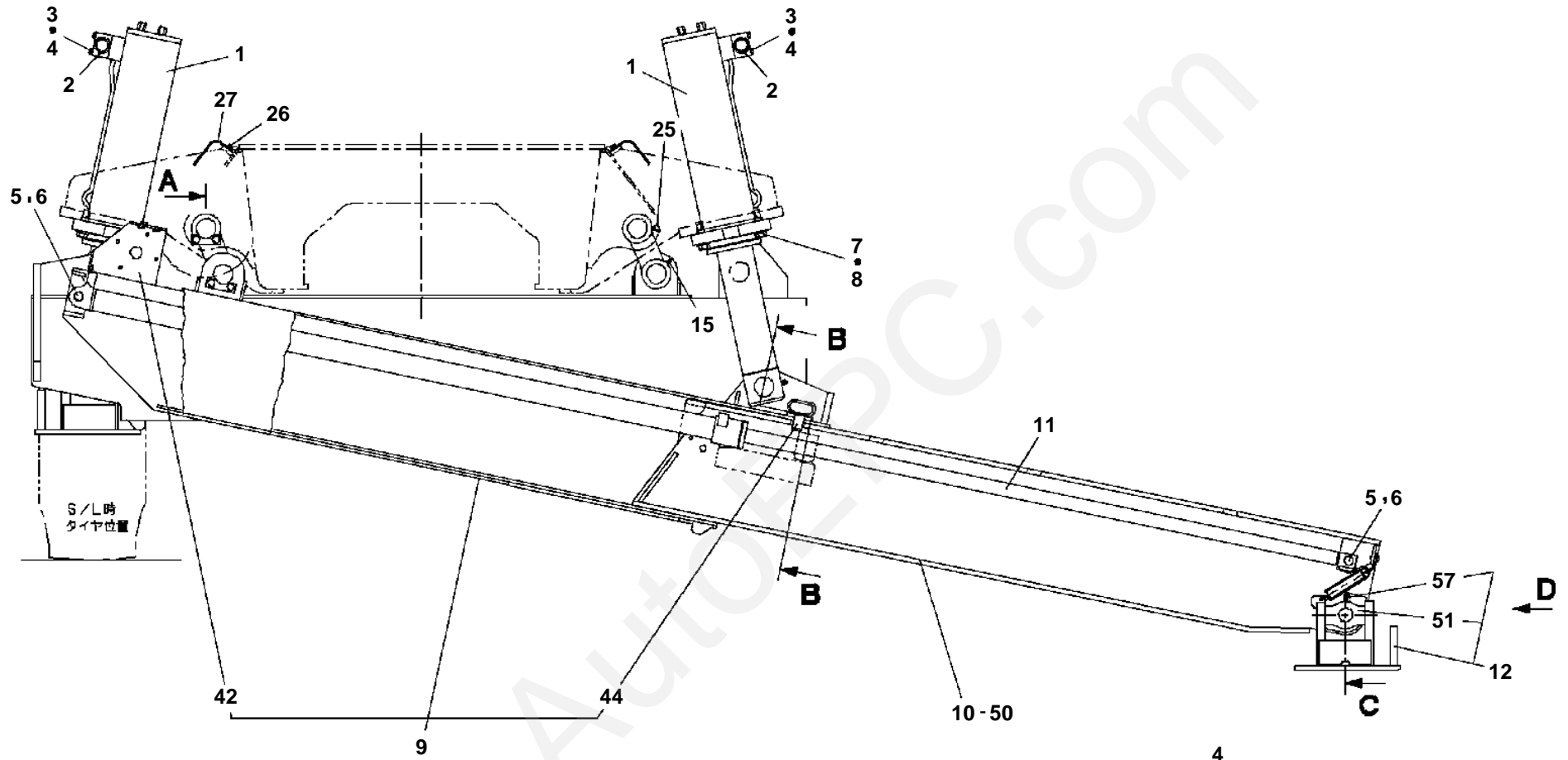


GR-120N-1-00111 12T,X,WINCH(W/O FREE-FALL),JIB(PT)

Pos No.	Parts No	Parts Name	Qty	Unit	Technical Data	Serial No (Start)	Serial No (End)	Remarks	Pages
1	37010000020	BATTERY (HYUNDAI ENERCELL)	1						

www.AutoEPC.com

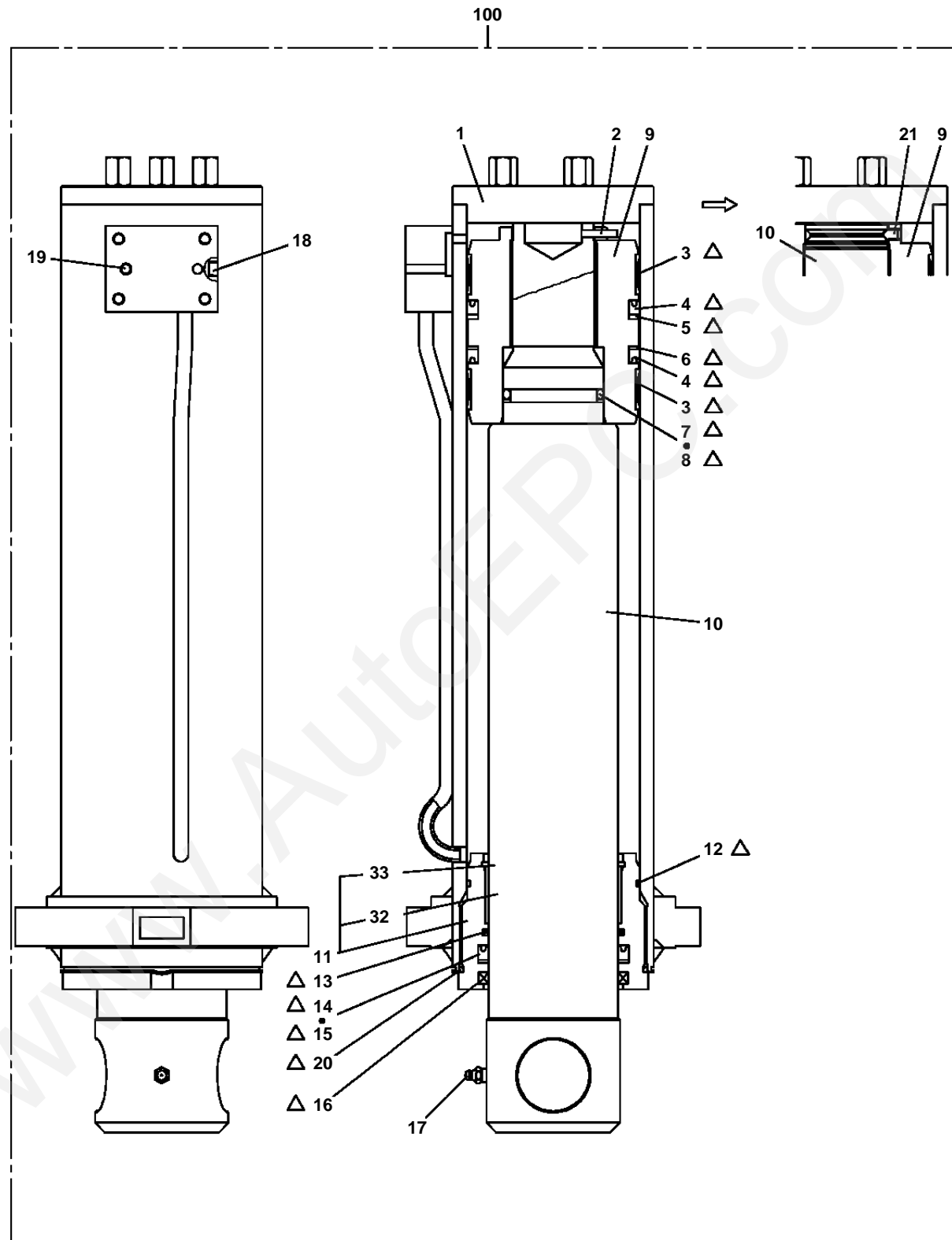
GR-120N-1-00111 12T,X,WINCH(W/O FREE-FALL),JIB(P.T)
 PC1010830-00 OUTRIGGER (X)



GR-120N-1-00111 12T,X,WINCH(W/O FREE-FALL),JIB(PT)

Pos No.	Parts No	Parts Name	Qty	Unit	Technical Data	Serial No (Start)	Serial No (End)	Remarks	Pages
1	36034770000	CYLINDER,JACK	2						000042
2	36624260000	VALVE,CHECK	2						000126
3	90172108055	BOLT,HEXAGON SOCKET	8		M8X55				
4	90302040801	WASHER,SPRING	12		8				
5	37000155700	PIN	4						
6	80136340050	PIN,SPLIT	8		4X50				
7	90101716060	BOLT	8		M16X60				
8	90303501601	WASHER,PLAIN	8		16				
9	34611031000	CASE,OUTER	2						
10	34611032000	CASE,INNER	2				FD0285		
	34611032001	CASE,INNER	2			FD0286			
11	36042870000	CYLINDER,EXTENSION	2						000043
12	34611033000	FLOAT	2						
13	34610700100	LEVER	2						
14	37000165440	PIN	6						
15	82456101000	NIPPLE,GREASE	2		A-PT1/8				
16	16112008000	PLATE	6						
17	90101210020	BOLT	12		M10X20				
18	90302041001	WASHER,SPRING	12		10				
19	37000155500	PIN	2				FD0285		
	37000182650	PIN	2			FD0286			
20	80601110350	RING,RITAINING	4		S35				
22	90101208016	BOLT	4		M8X16				
23	34611030100	SUPPORT	2						
24	37001300480	SPRING	4						
25	82458202000	NIPPLE,GREASE	2		B-TYPE PT1/8				
26	90186208014	BOLT,FLANGE	4		M8X14				
27	34611030500	COVER	1						
42	34611031500	SUPPORT	2						
44	37000157330	PIN	2						
50	37000105720	PIN	2						
51	32610012000	TRUNNION	2						
57	82459103000	NIPPLE,GREASE	2		C-PT1/8				

GR-120N-1-00111 12T,X,WINCH(W/O FREE-FALL),JIB(PT)
 PC1030319-01 CYLINDER,JACK

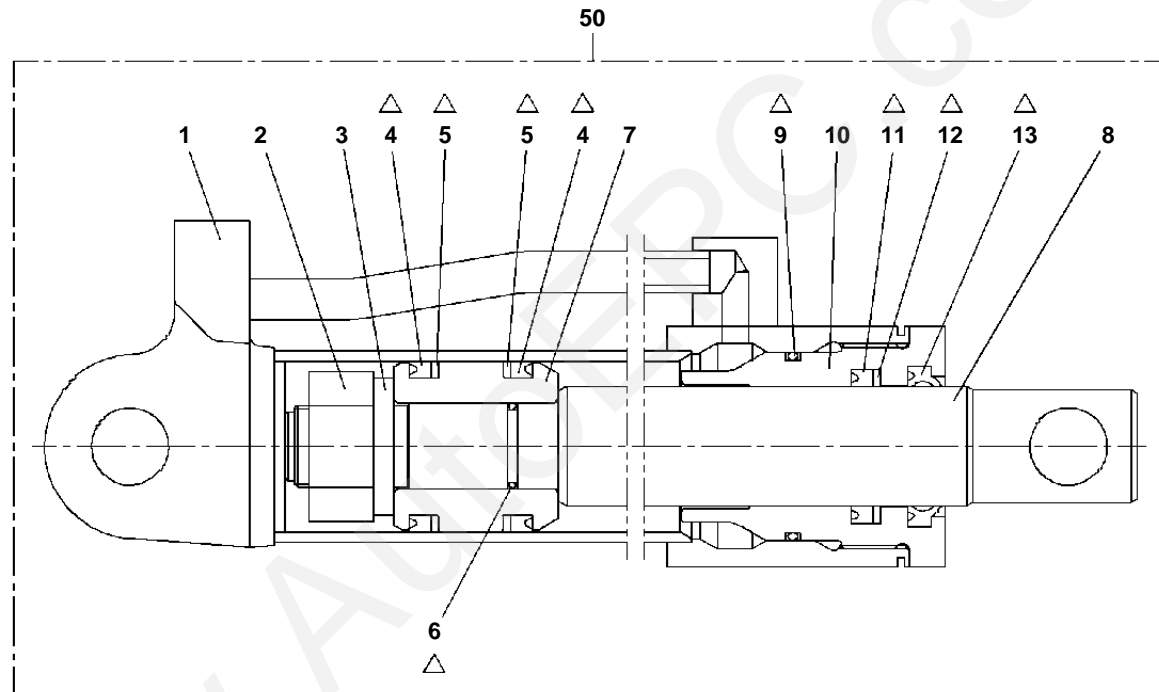


Δ:PACKING SET KEY NO.50 (KEY NO.3,4,5,6,7,8,12,13,14,15,16,20)

GR-120N-1-00111 12T,X,WINCH(W/O FREE-FALL),JIB(PT)

Pos No.	Parts No	Parts Name	Qty	Unit	Technical Data	Serial No (Start)	Serial No (End)	Remarks	Pages
1	36034771000	CYLINDER	1						
2	80720105025	PIN,SPRING	1		5X25		FD1585		
3	91302312000	BEARING,PLAIN	2						
4	91684112000	PACKING	2						
5	91431210501	RING,BACKUP	1						
6	91411210501	RING,BACKUP	1						
7	91002806000	O-RING	1		1B P60				
8	91411006000	RING,BACKUP	1		P60				
9	36033930201	PISTON	1				FD1585		
	36033930202	PISTON	1			FD1586			
10	36034773000	ROD	1				FD1585		
	36034773001	ROD	1			FD1586			
11	36033931002	COVER,ROD	1						
12	91002911500	O-RING	1		1B G115				
13	91251100900	RING,DAMPER	1						
14	91694009000	PACKING	1						
15	91410209000	RING,BACKUP	1						
16	91660009001	SEAL,DUST	1						
17	82456101000	NIPPLE,GREASE	1		A-PT1/8				
18	80316030020	PLUG	1		PT1/8				
19	36033123000	ORIFICE	1						
20	91000524900	O-RING	1						
21	90730008100	SCREW,SET	1		M8X10	FD1586			
32	37000400160	BEARING,PLAIN	1						
33	80612110980	RING,RITAINING	1		AR98				
50	36033939901	PACKING SET	1		90X120				
100	36034770000	CYLINDER,JACK	1						

GR-120N-1-00111 12T,X,WINCH(W/O FREE-FALL),JIB(P
PC1050226-00 CYLINDER,EXTENSION



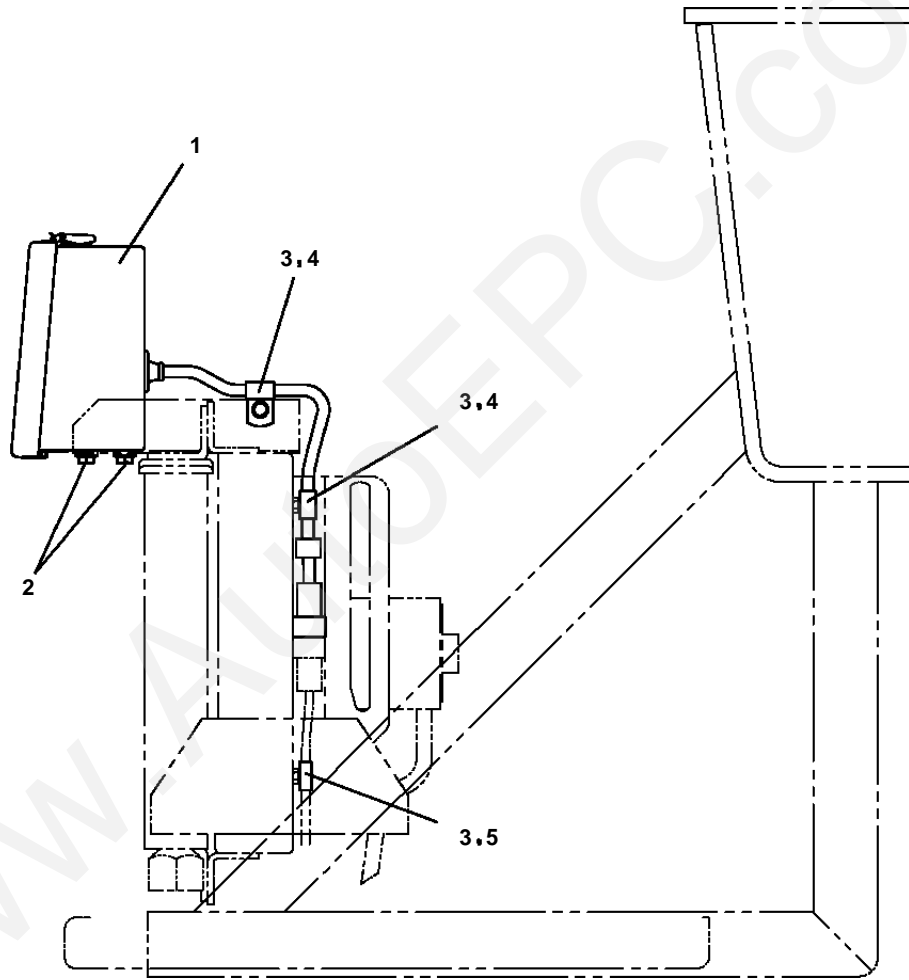
△:PACKING SET KEY NO.30 (KEY NO.4,5,6,9,11,12,13)

GR-120N-1-00111 12T,X,WINCH(W/O FREE-FALL),JIB(PT)

Pos No.	Parts No	Parts Name	Qty	Unit	Technical Data	Serial No (Start)	Serial No (End)	Remarks	Pages
1	36042871000	CYLINDER	1						
2	90209202400	NUT	1		M24				
3	90302042401	WASHER,SPRING	1		24				
4	91684005000	PACKING	2						
5	91411204001	RING,BACKUP	2						
6	91002802100	O-RING	1		1B P21				
7	36013250900	PISTON	1						
8	36042872000	ROD	1						
9	91002905000	O-RING	1		1B G50				
10	36041783000	COVER,ROD	1						
11	91694003500	PACKING	1						
12	91410203501	RING,BACKUP	1						
13	91660003501	SEAL,DUST	1						
30	36042129900	PACKING SET	1		35X50				
50	36042870000	CYLINDER,EXTENSION	1						

www.AutoEPC.com

GR-120N-1-00111 12T,X,WINCH(W/O FREE-FALL),JIB(P
PC1100246-00 OPE.ASSY,OUTRIGGER

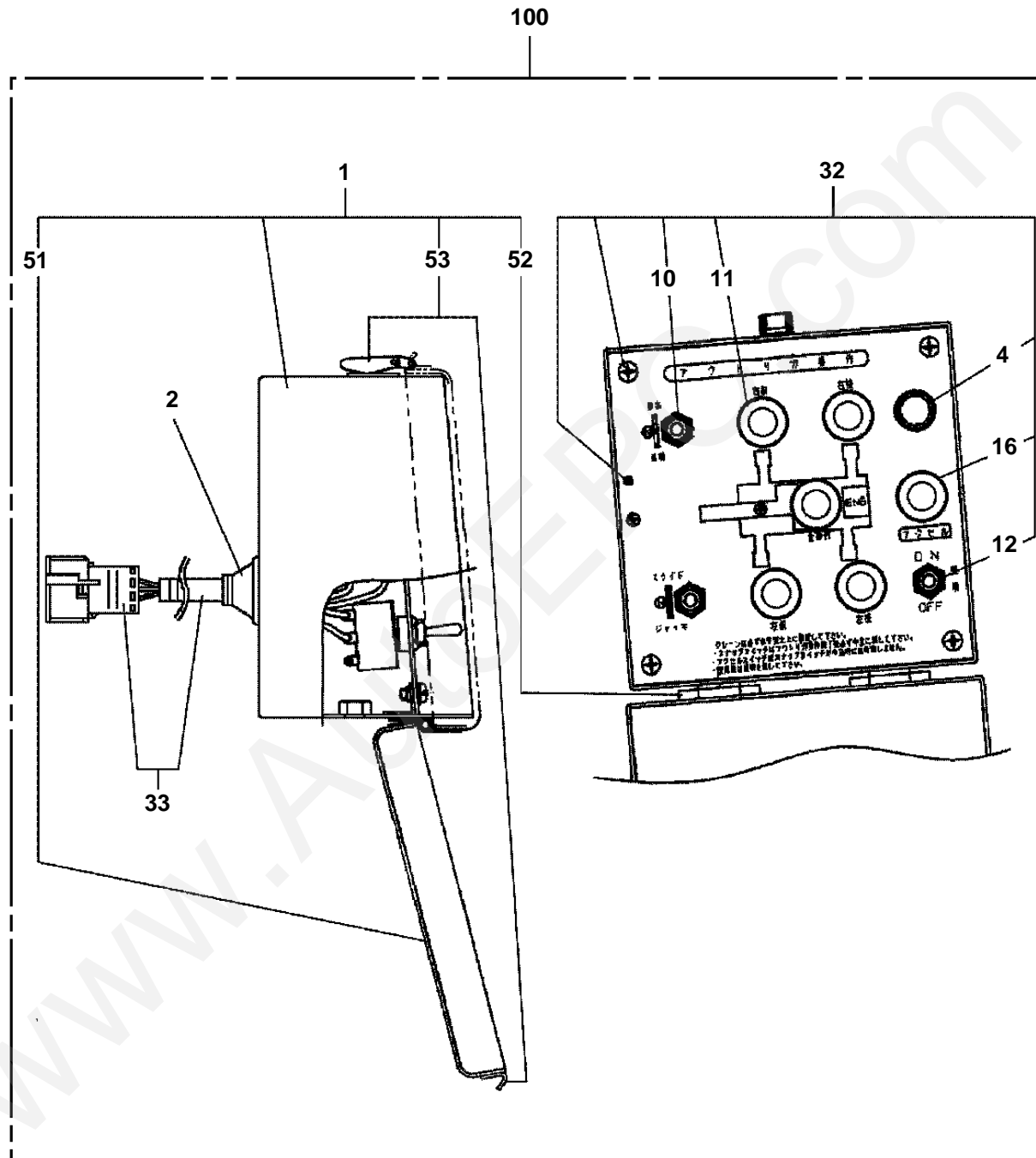


GR-120N-1-00111 12T,X,WINCH(W/O FREE-FALL),JIB(PT)

Pos No.	Parts No	Parts Name	Qty	Unit	Technical Data	Serial No (Start)	Serial No (End)	Remarks	Pages
1	34700221000	BOX,OUTRIGGER OPERATION	1						000045
2	90186208020	BOLT,FLANGE	3		M8X20				
3	90280200600	NUT,FLANGE	3		M6				
4	82100002006	CLAMP	2		WR10				
5	82100002002	CLAMP	1		WR6				

www.AutoEPC.com

GR-120N-1-00111 12T,X,WINCH(W/O FREE-FALL),JIB(P
PC1110006-03 BOX,OUTRIGGER OPERATION

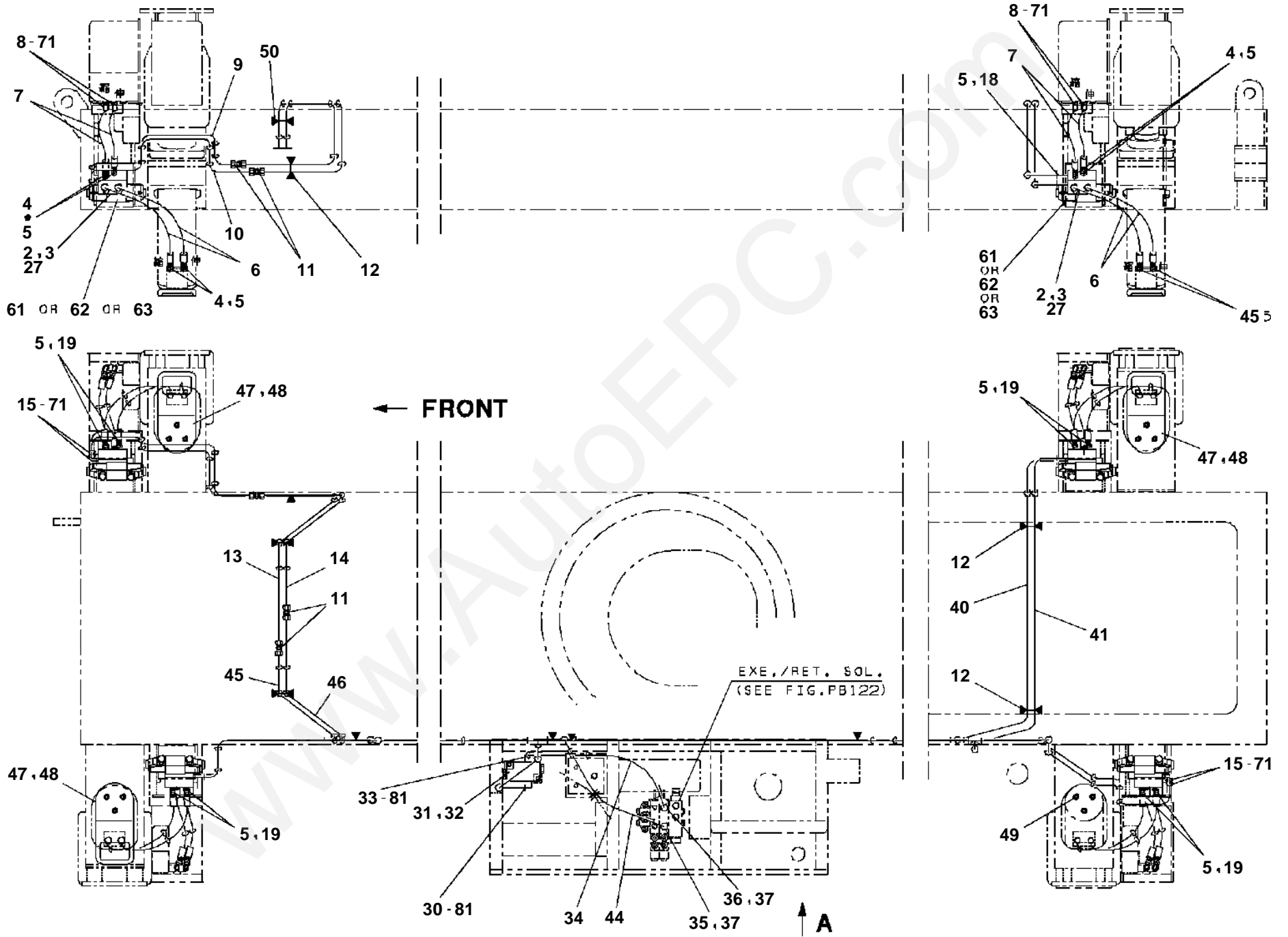


GR-120N-1-00111 12T,X,WINCH(W/O FREE-FALL),JIB(PT)

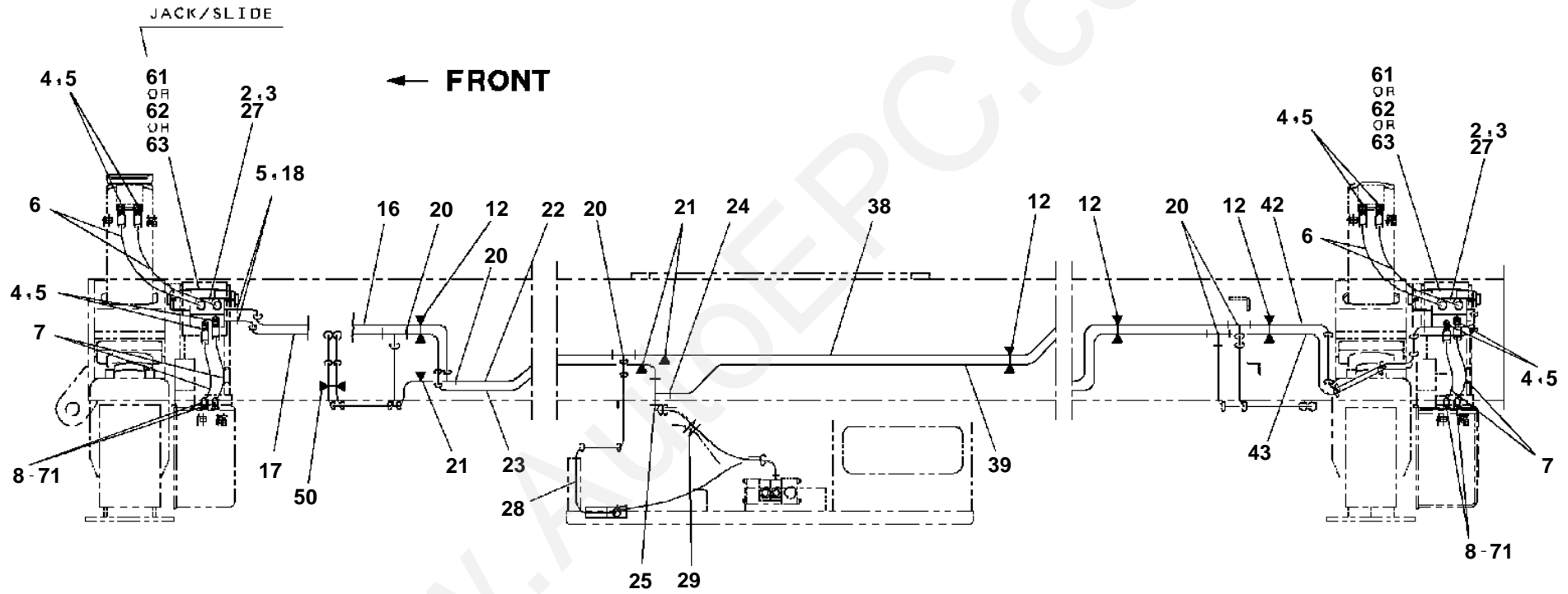
Pos No.	Parts No	Parts Name	Qty	Unit	Technical Data	Serial No (Start)	Serial No (End)	Remarks	Pages
1	34731017510	BOX ASSY	1						
2	34731107050	GROMMET	1						
4	34731017530	LAMP,PILOT	1						
10	82100001696	SWITCH,TOGGLE	2						
11	34731047530	SWITCH,PUSH (KNOB-BLACK)	5						
12	82100001683	SWITCH,TOGGLE	1						
16	34731017560	SWITCH,PUSH (KNOB-RED)	1						
32	34700227510	PANEL ASSY	1						
33	34700227520	CABLE ASSY	1						
51	34731017570	COVER (FRONT)	1						
52	34731017580	HINGE	2						
53	34731017590	CATCH	1						
100	34700221000	BOX,OUTRIGGER OPERATION	1						

www.AutoEPC.com

GR-120N-1-00111 12T,X,WINCH(W/O FREE-FALL),JIB(P.T)
 PC1200428-00 PIPING,OUTRIGGER (X)



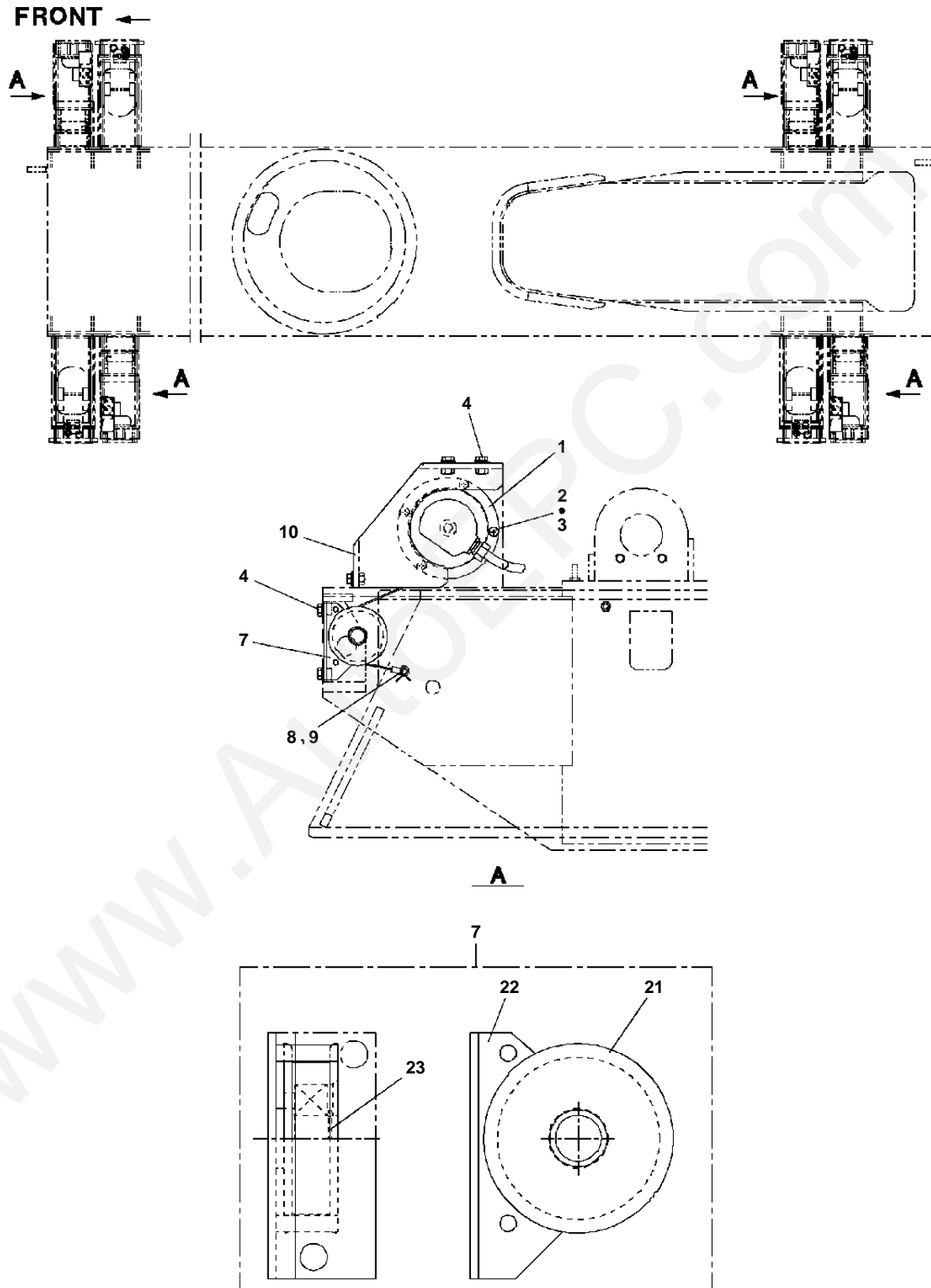
GR-120N-1-00111 12T,X,WINCH(W/O FREE-FALL),JIB(P
PC1200428-00 PIPING,OUTRIGGER (X)



GR-120N-1-00111 12T,X,WINCH(W/O FREE-FALL),JIB(PT)

Pos No.	Parts No	Parts Name	Qty	Unit	Technical Data	Serial No (Start)	Serial No (End)	Remarks	Pages
2	34640703600	FITTING,FLANGE	4						
3	90101210075	BOLT	8		M10X75				
4	80400160127	JOINT	16				FD0421		
5	91002801100	O-RING	20		1B P11				
6	37002425870	HOSE	8		L=600		FD0421		
	37002479050	HOSE	8		L=620	FD0422			
7	37002433310	HOSE	8		L=420		FD0421		
	37002479140	HOSE	8		L=440	FD0422			
8	80430620400	JOINT	8						
9	81408000160	PIPE,STEEL	1	M	12X1.4T				
10	81408000160	PIPE,STEEL	1	M	12X1.4T				
11	80301010100	FITTING	4		KUA12-000N				
12	37000701510	CLAMP ASSY	7		12X2				
13	81408000160	PIPE,STEEL	2	M	12X1.4T				
14	81408000160	PIPE,STEEL	1	M	12X1.4T				
15	80303130141	FITTING,ELBOW	4		KLO12-020E				
16	81408000160	PIPE,STEEL	1	M	12X1.4T				
17	81408000160	PIPE,STEEL	1	M	12X1.4T				
18	80302090141	FITTING	4		KCO12-020N				
19	80471020502	JOINT	8						
20	80305010100	FITTING,TEE	5		KTA12-000N				
21	37000701500	CLAMP ASSY	3		12X1				
22	81408000160	PIPE,STEEL	1	M	12X1.4T				
23	81408000160	PIPE,STEEL	2	M	12X1.4T				
24	80305100120	FITTING,TEE	1		KTC12-000N				
25	80320030085	FITTING,ELBOW	1		L,G1/2-D12				
27	90302041001	WASHER,SPRING	8		10				
28	81408000160	PIPE,STEEL	1	M	12X1.4T				
29	91810130250	FASTENER	1						
30	80303130161	FITTING,ELBOW	1		KLO12-030E				
31	36623570000	VALVE,CHECK	1						000124
32	90186208040	BOLT,FLANGE	2		M8X40				
33	80430620600	JOINT (WITH O-RING)	1		L,G3/8-G3/8				
34	37002411740	HOSE	1		L=710				
35	80481003040	JOINT	1		S,G1/2-G3/8				
36	80400160129	JOINT	1						
37	91002801400	O-RING	2		1B P14				
38	81408000160	PIPE,STEEL	3	M	12X1.4T				
39	81408000160	PIPE,STEEL	3	M	12X1.4T				
40	81408000160	PIPE,STEEL	2	M	12X1.4T				
41	81408000160	PIPE,STEEL	2	M	12X1.4T				
42	81408000160	PIPE,STEEL	1	M	12X1.4T				
43	81408000160	PIPE,STEEL	1	M	12X1.4T				
44	37002412940	HOSE	1		L=530				
45	81408000160	PIPE,STEEL	2	M	12X1.4T				
46	81408000160	PIPE,STEEL	2	M	12X1.4T				
47	34610705102	GUARD	3						
48	90186210020	BOLT,FLANGE	9		M10X20				
49	90186210014	BOLT,FLANGE	3		M10X14				
50	37000711080	CLAMP ASSY	2		12-2				
61	36647890000	VALVE,SOLENOID (UCHIDA)	4						000110
62	36647900000	VALVE,SOLENOID (TOKIMEC)	4						000109
63	36645730000	VALVE,SOLENOID (NACHI)	4						000103
71	91002801100	O-RING	12		1B P11				
81	91002801400	O-RING	2		1B P14				

GR-120N-1-00111 12T,X,WINCH(W/O FREE-FALL),JIB(P)
PC1370030-00 DETECTOR,OUTRIGGER LENGTH (X)



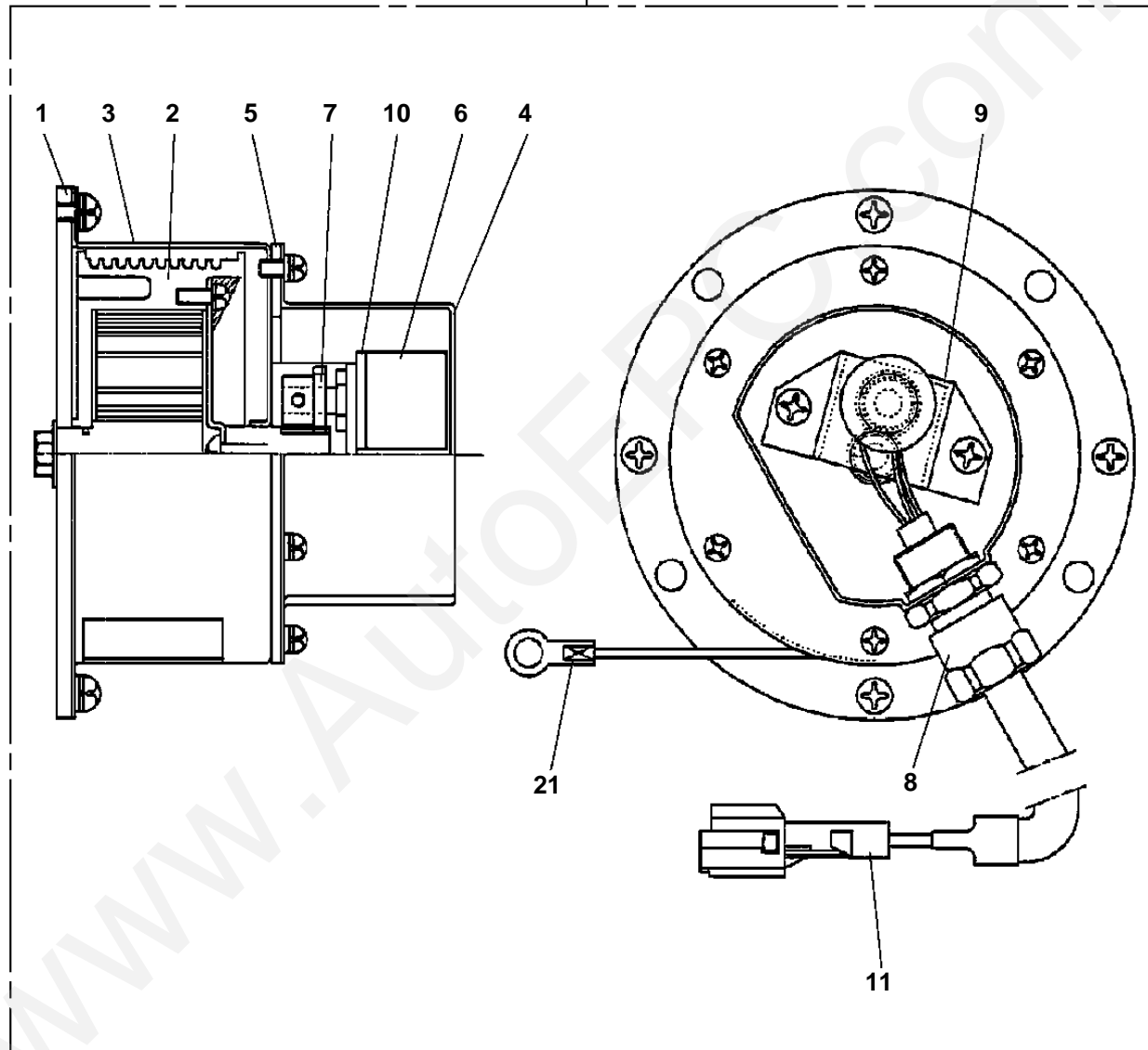
GR-120N-1-00111 12T,X,WINCH(W/O FREE-FALL),JIB(PT)

Pos No.	Parts No	Parts Name	Qty	Unit	Technical Data	Serial No (Start)	Serial No (End)	Remarks	Pages
1	36131800000	DETECTOR,OUTRIGGER LENGTH	4						000048
2	80182306012	SCREW,MACHINE	16		M6X12				
3	90302040601	WASHER,SPRING	16		6				
4	90186208014	BOLT,FLANGE	20		M8X14				
7	34950771100	ROLLER ASSY	4						
8	90303070601	WASHER,PLAIN	12		6				
9	80136320016	PIN,SPLIT	4		2X16				
10	34951401100	COVER	4						
21	37001107031	ROLLER ASSY	4						
22	34950771201	SUPPORT	4						
23	80601110170	RING,RITAINING	4		S17				

www.AutoEPC.com

GR-120N-1-00111 12T,X,WINCH(W/O FREE-FALL),JIB(P
PC1380012-01 DETECTOR,OUTRIGGER LENGTH

50

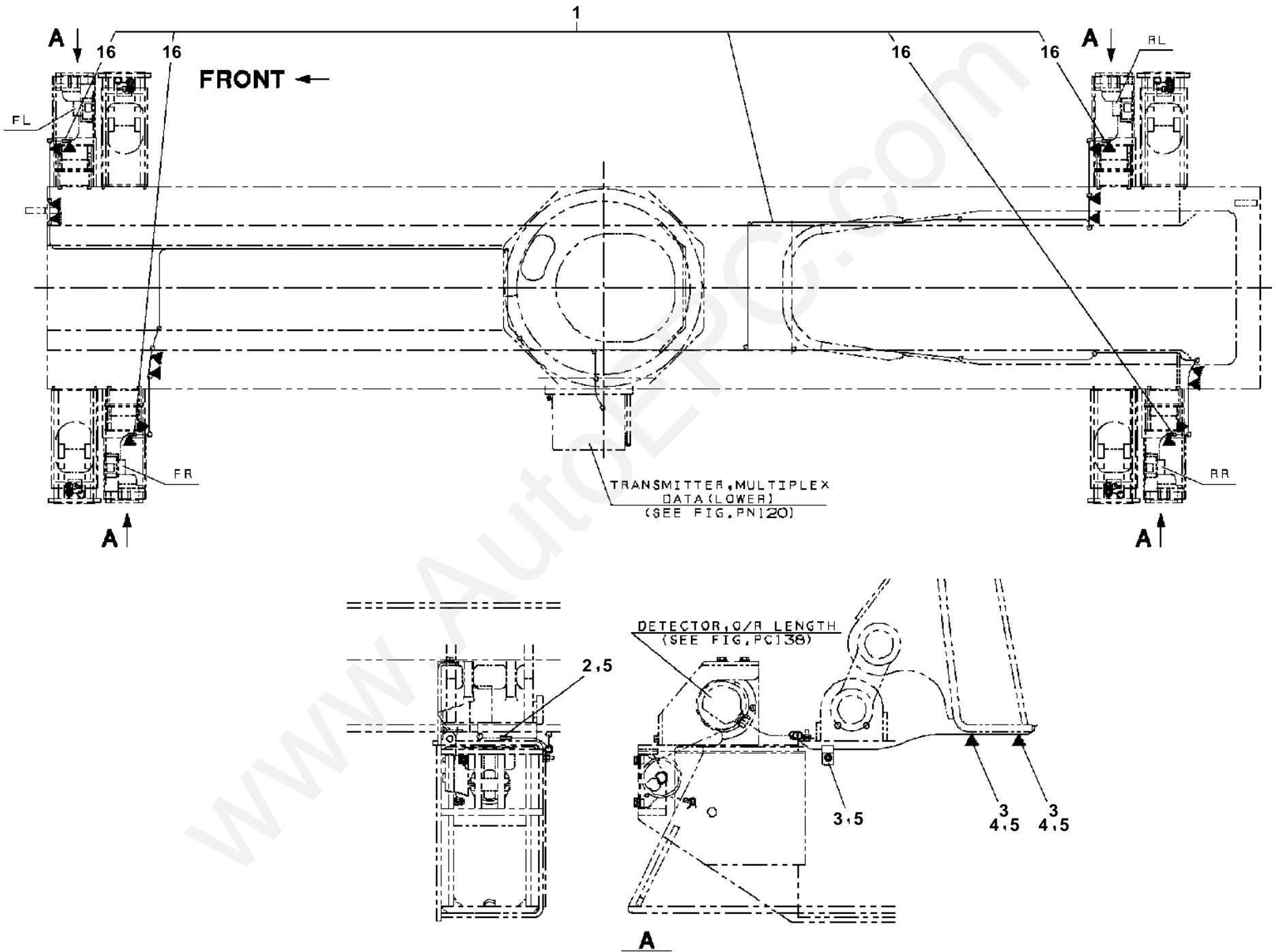


GR-120N-1-00111 12T,X,WINCH(W/O FREE-FALL),JIB(PT)

Pos No.	Parts No	Parts Name	Qty	Unit	Technical Data	Serial No (Start)	Serial No (End)	Remarks	Pages
1	36131355010	PLATE (BASE)	1						
2	36130885012	DRUM ASSY (BK-002B)	1						
3	36130915020	CASE	1						
4	36131355030	COVER	1						
5	36130885020	PACKING	1						
6	36131335010	POTENTIOMETER	1						
7	36131335050	GEAR	1						
8	36130915030	SEAL	1						
9	36131215040	BRACKET	1						
10	36131805010	PACKING	1						
11	36131805020	CABLE ASSY	1						
21	36131805030	WIRE ASSY	1		L=2720				
50	36131800000	DETECTOR,OUTRIGGER LENGTH	1						

www.AutoEPC.com

GR-120N-1-00111 12T,X,WINCH(W/O FREE-FALL),JIB(P.T)
PC1930001-00 ELEC.ASSY (X-O/R)



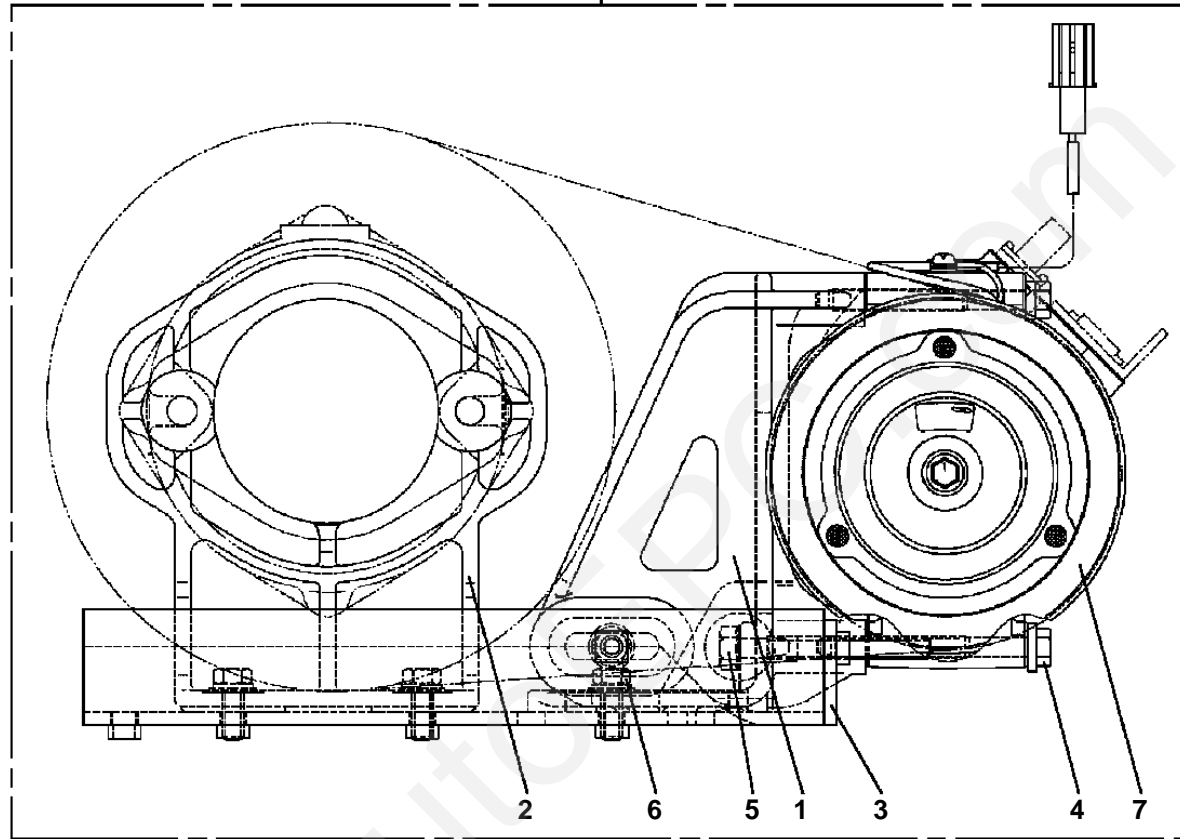
GR-120N-1-00111 12T,X,WINCH(W/O FREE-FALL),JIB(PT)

Pos No.	Parts No	Parts Name	Qty	Unit	Technical Data	Serial No (Start)	Serial No (End)	Remarks	Pages
1	34951402100	HARNESS	1				FD0564		
	34951402101	HARNESS	1			FD0565			
2	82100002037	CLAMP	4		WE10				
3	82100002006	CLAMP	12		WR10				
4	90155306015	BOLT,WELD	8		M6X15				
5	90280200600	NUT,FLANGE	16		M6				
16	82114102030	CONNECTOR (3P,FEMALE)	4						

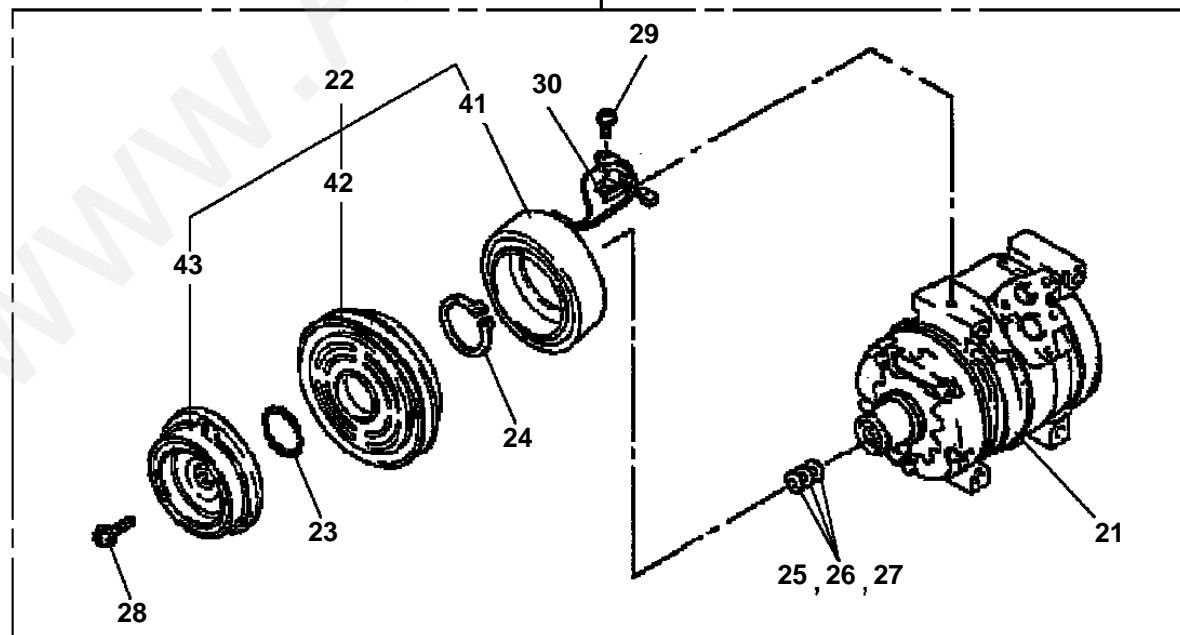
www.AutoEPC.com

GR-120N-1-00111 12T,X,WINCH(W/O FREE-FALL),JIB(P
PC5340001-00 COMPRESSOR ASSY

100



7

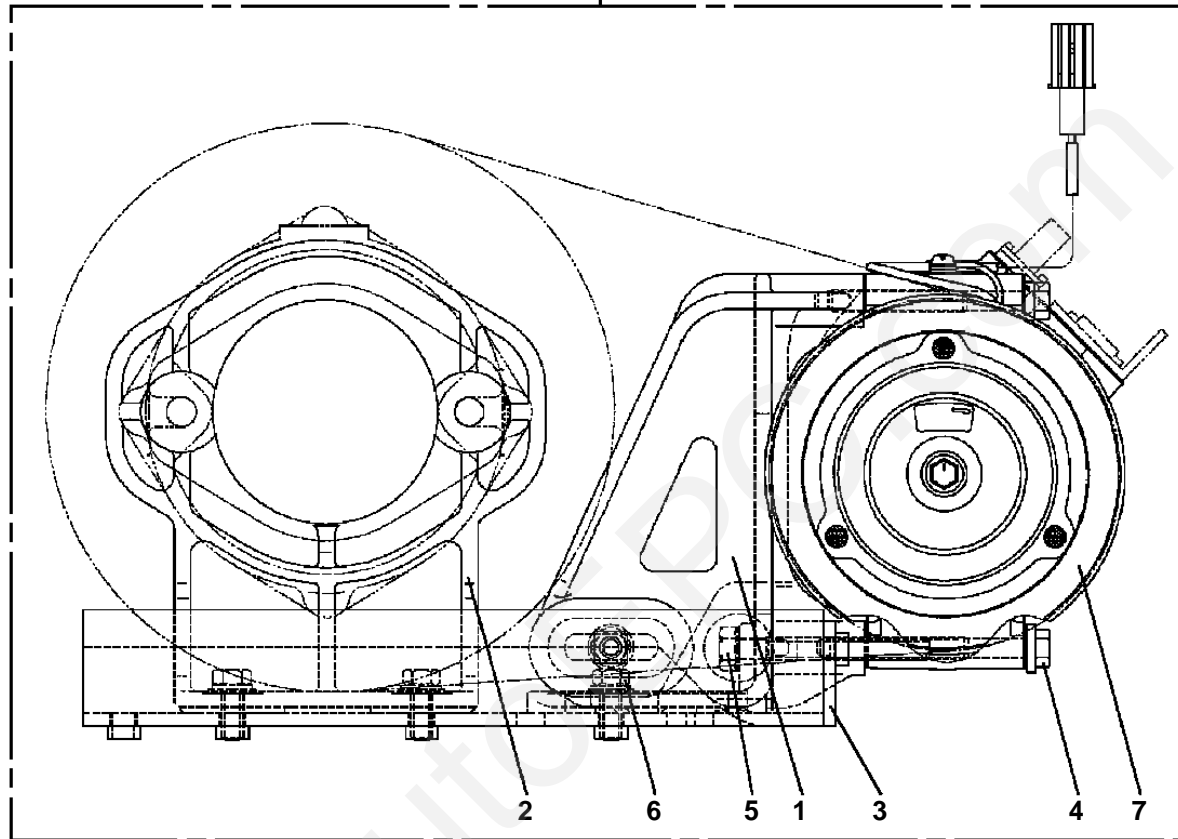


GR-120N-1-00111 12T,X,WINCH(W/O FREE-FALL),JIB(PT)

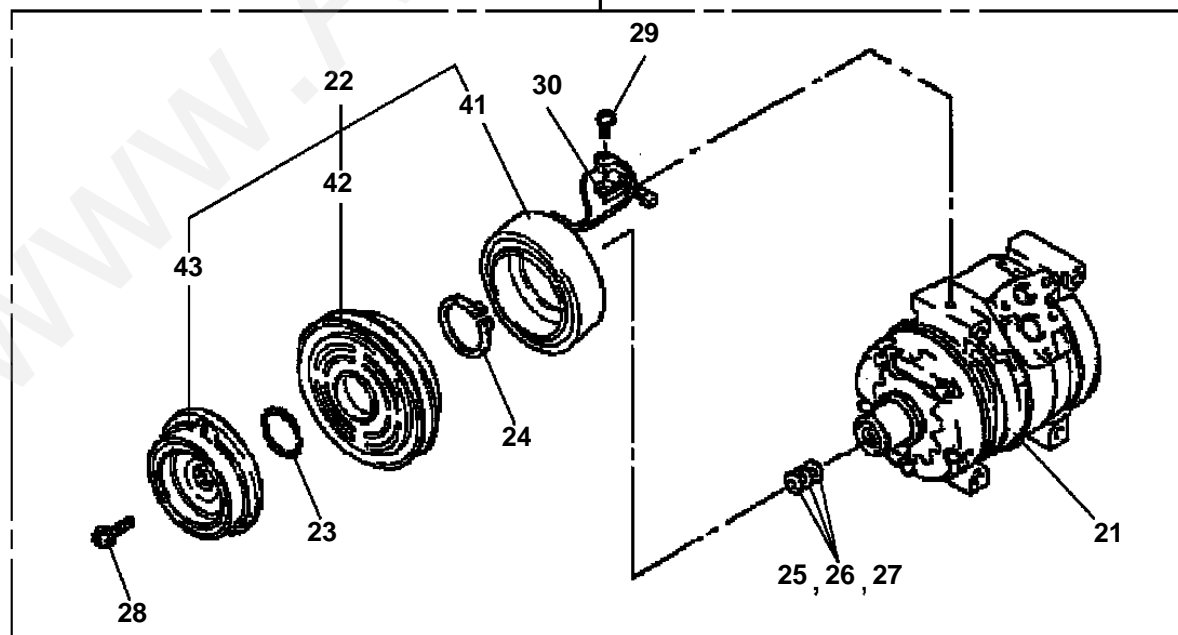
Pos No.	Parts No	Parts Name	Qty	Unit	Technical Data	Serial No (Start)	Serial No (End)	Remarks	Pages
1	36320735010	ATTACHMENT	1						
2	36320735020	BRACKET	1						
3	36320735030	BRACKET	1						
4	36320735040	BOLT (W/WASHER)	3						
5	36320735050	BOLT (ADJUST)	1						
6	36320202320	BOLT	6		M8X20				
7	36320535520	COMPRESSOR ASSY (WITH CLUTCH)	1						
21	36320535610	COMPRESSOR ASSY	1						
22	36320535620	CLUTCH,MAGNET	1						
23	36320535650	RING,SNAP	1						
24	36320196280	RING,SNAP	1						
25	36320368090	WASHER	1						
26	36320368100	WASHER	1						
27	36320368110	WASHER	1						
28	36320368120	BOLT (WITH WASHER)	1						
29	36320196330	SCREW (WITH WASHER)	1						
30	36320368130	CLAMP	1						
41	36320368040	STATOR (MAGNET CLUTCH)	1						
42	36320535630	ROTOR	1						
43	36320535640	HUB	1						
100	36320732010	COMPRESSOR ASSY	1						

GR-120N-1-00111 12T,X,WINCH(W/O FREE-FALL),JIB(P
PC5340004-00 COMPRESSOR ASSY

100



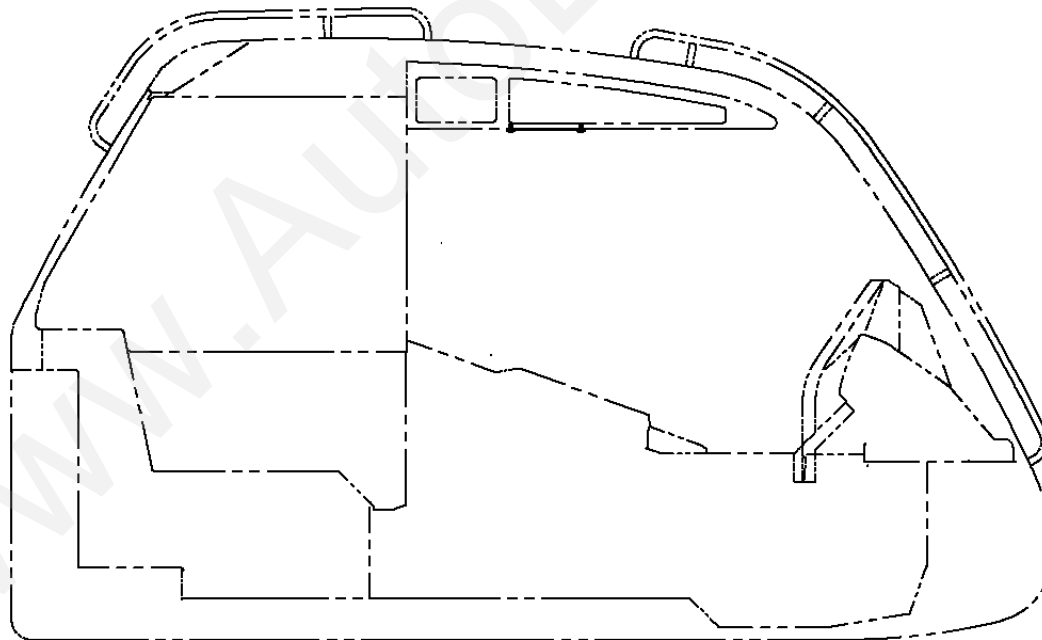
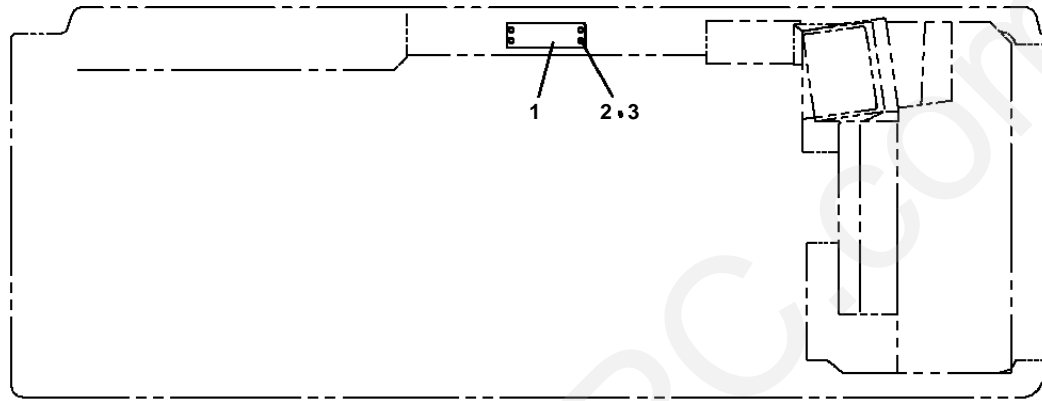
7



GR-120N-1-00111 12T,X,WINCH(W/O FREE-FALL),JIB(PT)

Pos No.	Parts No	Parts Name	Qty	Unit	Technical Data	Serial No (Start)	Serial No (End)	Remarks	Pages
1	36320735010	ATTACHMENT	1						
2	36320735060	BRACKET	1						
3	36320735030	BRACKET	1						
4	36320735040	BOLT (W/WASHER)	3						
5	36320735050	BOLT (ADJUST)	1						
6	36320202320	BOLT	6		M8X20				
7	36320535520	COMPRESSOR ASSY (WITH CLUTCH)	1						
21	36320535610	COMPRESSOR ASSY	1						
22	36320535620	CLUTCH,MAGNET	1						
23	36320535650	RING,SNAP	1						
24	36320196280	RING,SNAP	1						
25	36320368090	WASHER	1						
26	36320368100	WASHER	1						
27	36320368110	WASHER	1						
28	36320368120	BOLT (WITH WASHER)	1						
29	36320196330	SCREW (WITH WASHER)	1						
30	36320368130	CLAMP	1						
41	36320368040	STATOR (MAGNET CLUTCH)	1						
42	36320535630	ROTOR	1						
43	36320535640	HUB	1						
100	36320732011	COMPRESSOR ASSY	1						

**GR-120N-1-00111 12T,X,WINCH(W/O FREE-FALL),JIB(PT)
PC5570003-00 COVER ASSY (FOR NON SPEAKER)**

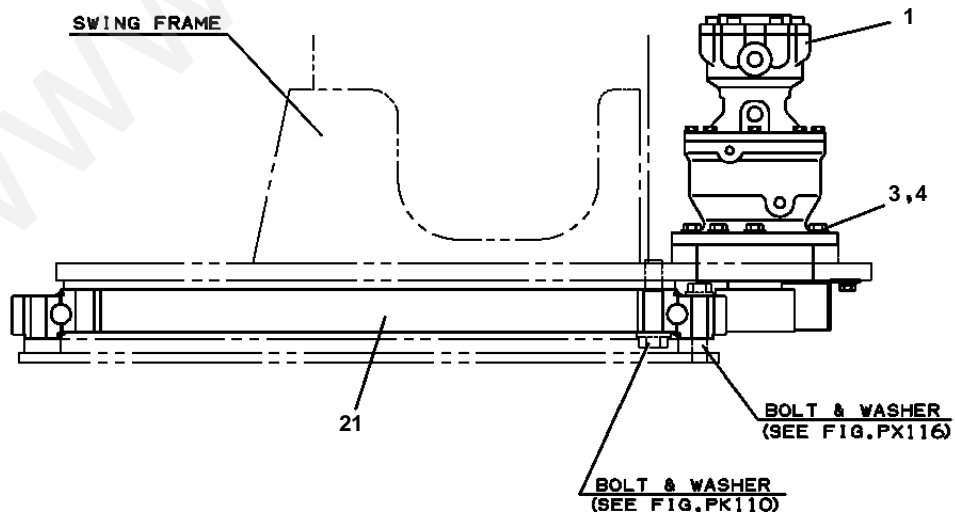
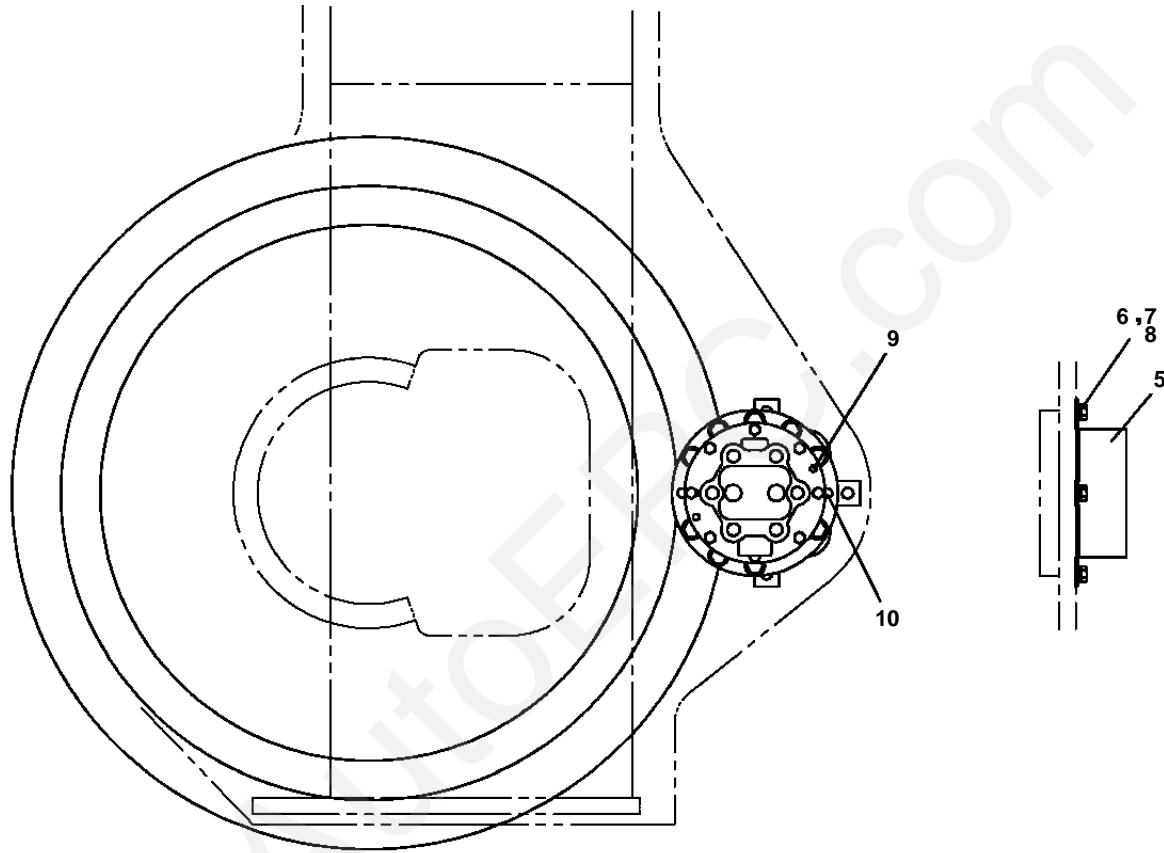


GR-120N-1-00111 12T,X,WINCH(W/O FREE-FALL),JIB(PT)

Pos No.	Parts No	Parts Name	Qty	Unit	Technical Data	Serial No (Start)	Serial No (End)	Remarks	Pages
1	34493351000	COVER	1						
2	80186406016	SCREW,MACHINE	4		M6X16				
3	90305260601	WASHER	4		B1-6				

www.AutoEPC.com

GR-120N-1-00111 12T,X,WINCH(W/O FREE-FALL),JIB(P.T)
PD1020013-01 SWING UNIT

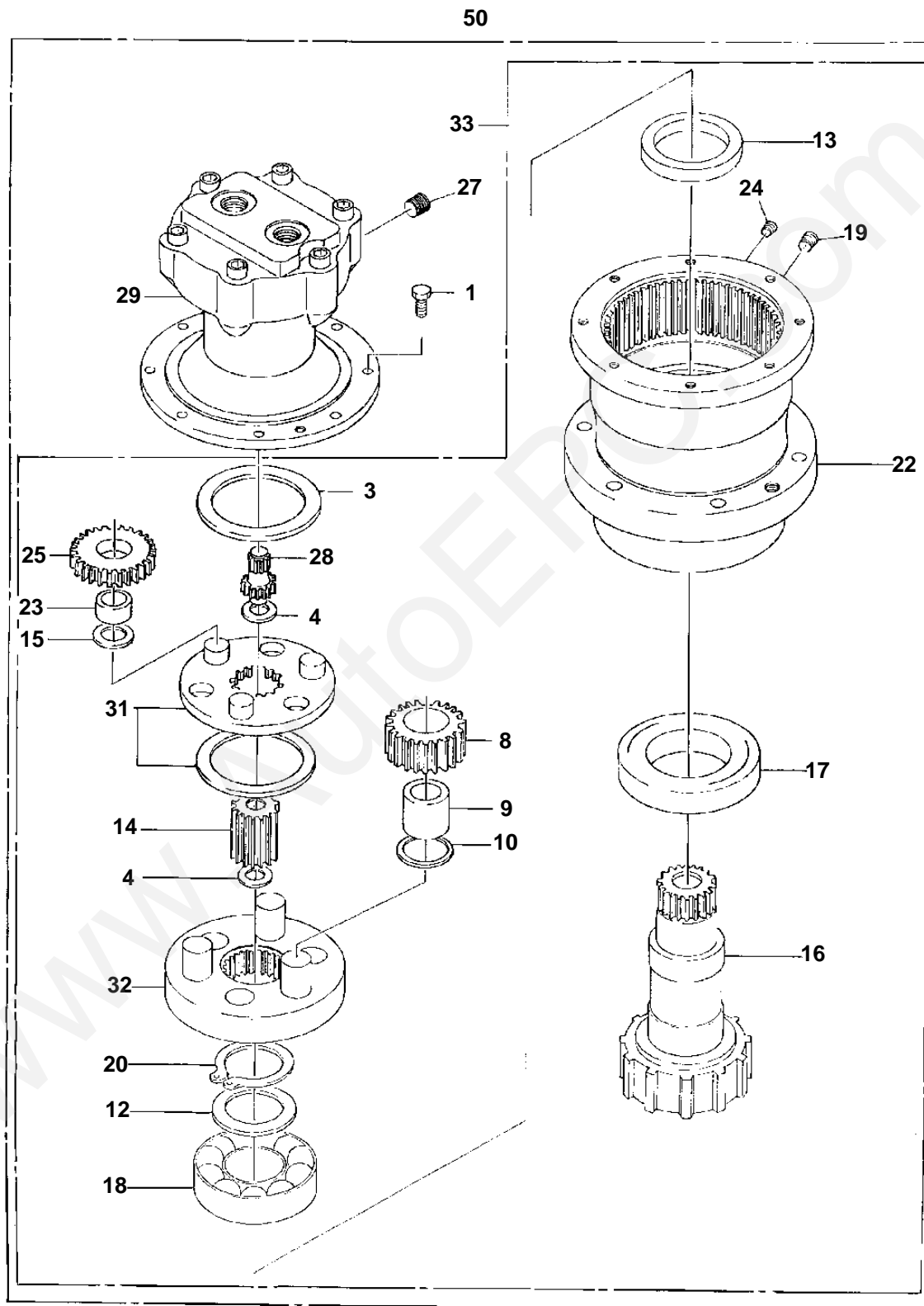


GR-120N-1-00111 12T,X,WINCH(W/O FREE-FALL),JIB(PT)

Pos No.	Parts No	Parts Name	Qty	Unit	Technical Data	Serial No (Start)	Serial No (End)	Remarks	Pages
1	36081150000	DRIVING UNIT,SWING	1						000054
3	90171112040	BOLT	9		M12X40				
4	90303501201	WASHER,PLAIN	9		12				
5	34300460100	COVER	1						
6	90101210016	BOLT	3		M10X16				
7	90302041001	WASHER,SPRING	3		10				
8	90303071001	WASHER,PLAIN	3		10				
9	82401800080	PLUG (FOR M8)	2						
10	82401800120	PLUG (FOR M12)	2						
21	37002305570	BEARING,SWING (NIPPON ROBALLO)	1						
	37002303410	BEARING,SWING (KOUYOSEIKO)	1						
	37002303400	BEARING,SWING (NIHON MONORACE)	1						

www.AutoEPC.com

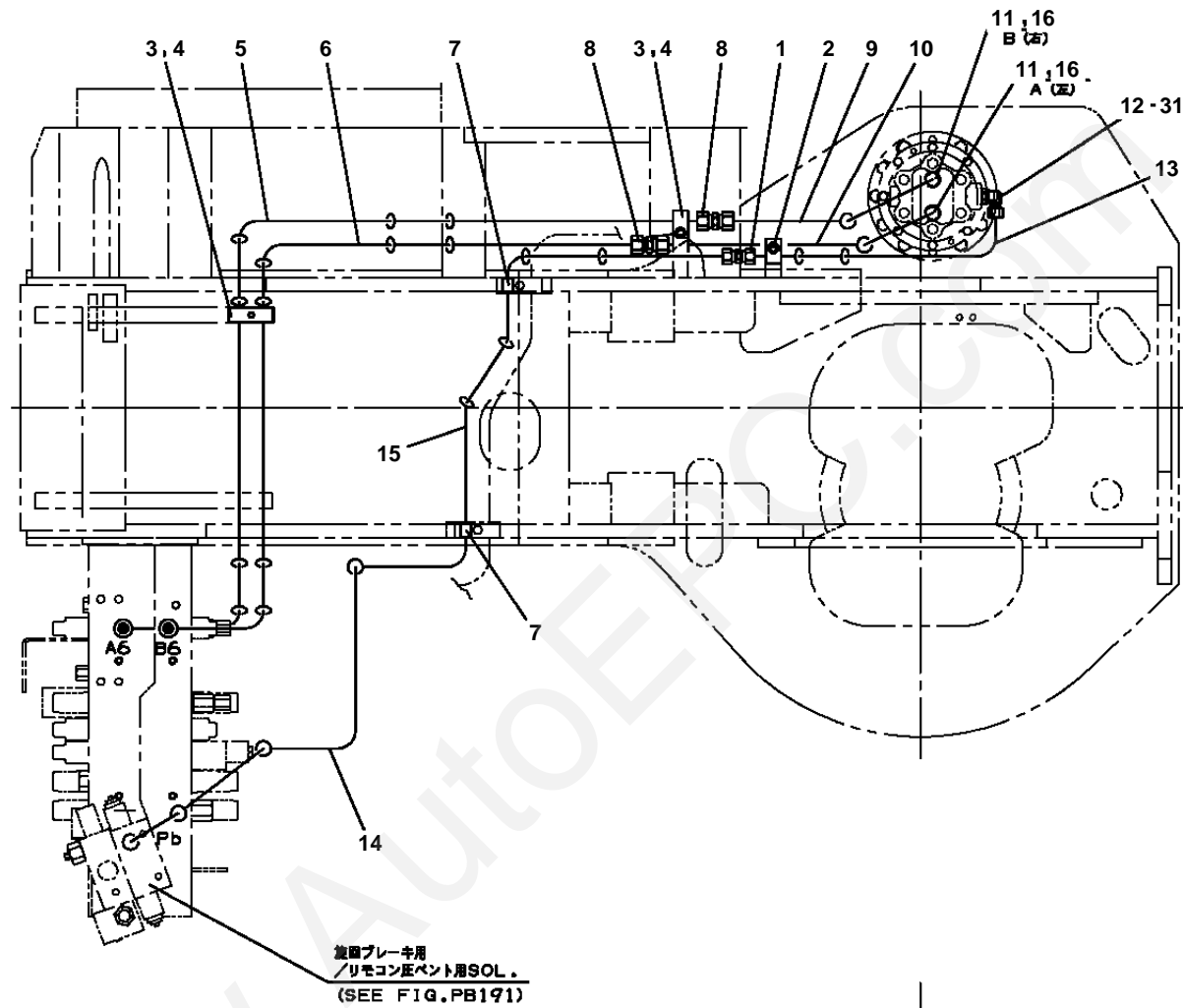
GR-120N-1-00111 12T,X,WINCH(W/O FREE-FALL),JIB(P.T)
PD1070013-00 DRIVING UNIT,SWING



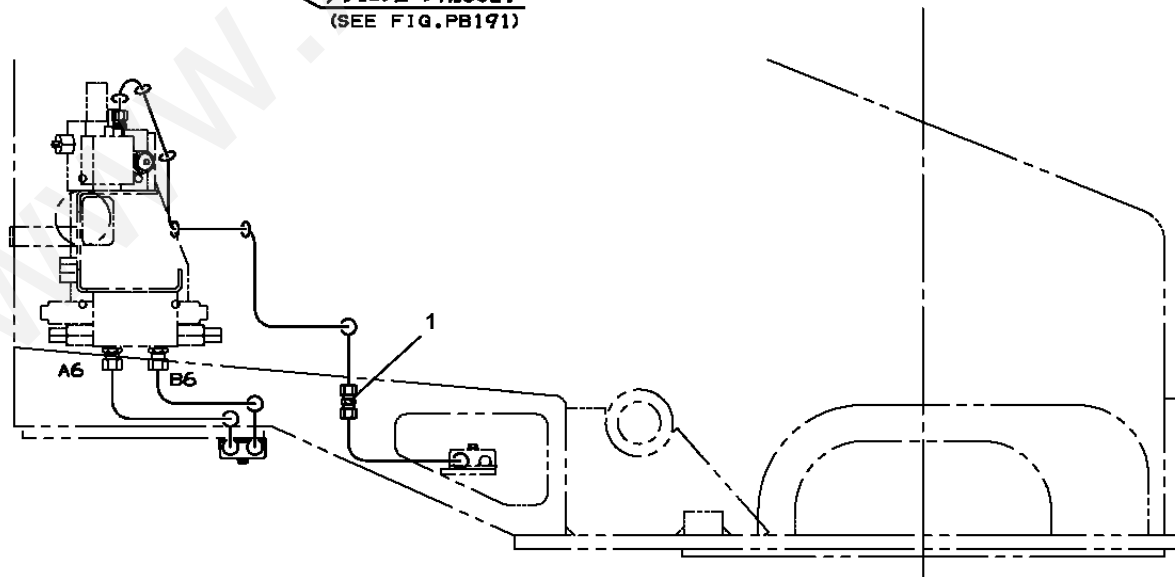
GR-120N-1-00111 12T,X,WINCH(W/O FREE-FALL),JIB(PT)

Pos No.	Parts No	Parts Name	Qty	Unit	Technical Data	Serial No (Start)	Serial No (End)	Remarks	Pages
1	36080805010	BOLT	8						
3	36080515300	SPACER	1						
4	36080515080	RING,THRUST	2						
8	36080515320	GEAR,PLANETARY	3						
9	36080515040	BEARING,NEEDLE	3		K25X30X20S				
10	36070845250	RING,THRUST	3						
12	36080515340	SPACER	1						
13	36080515520	SEAL,OIL	1						
14	36080515351	GEAR,SUN	1						
15	36080515100	RING,THRUST	3						
16	36081155010	GEAR,SPUR	1						
17	36081155030	BEARING,BALL	1						
18	80500006210	BEARING,BALL	1						
19	80316090040	PLUG SOCKET	1		R1/4				
20	80601110500	RING,RITAINING	1		S50				
22	36081155020	CASING	1						
23	36080515130	BEARING,NEEDLE	3		K20X26X12				
24	80316090020	PLUG	1		KKT PT1/8				
25	36080515390	GEAR,PLANETARY	3						
27	80316090060	PLUG	1		KKT PT3/8				
28	36080515400	GEAR,SUN	1						
29	36662580000	MOTOR,HYDRAULIC (SWING)	1						000097
31	36080515500	CARRIER ASSY (A)	1						
32	36080515510	CARRIER ASSY (B)	1						
33	36081155500	REDUCER ASSY	1						
50	36081150000	DRIVING UNIT,SWING	1						

GR-120N-1-00111 12T,X,WINCH(W/O FREE-FALL),JIB(P.T)
PD1200154-00 PIPING,SWING



波面ブレーキ用
/リモコン圧ベント用SOL.
(SEE FIG.PB191)

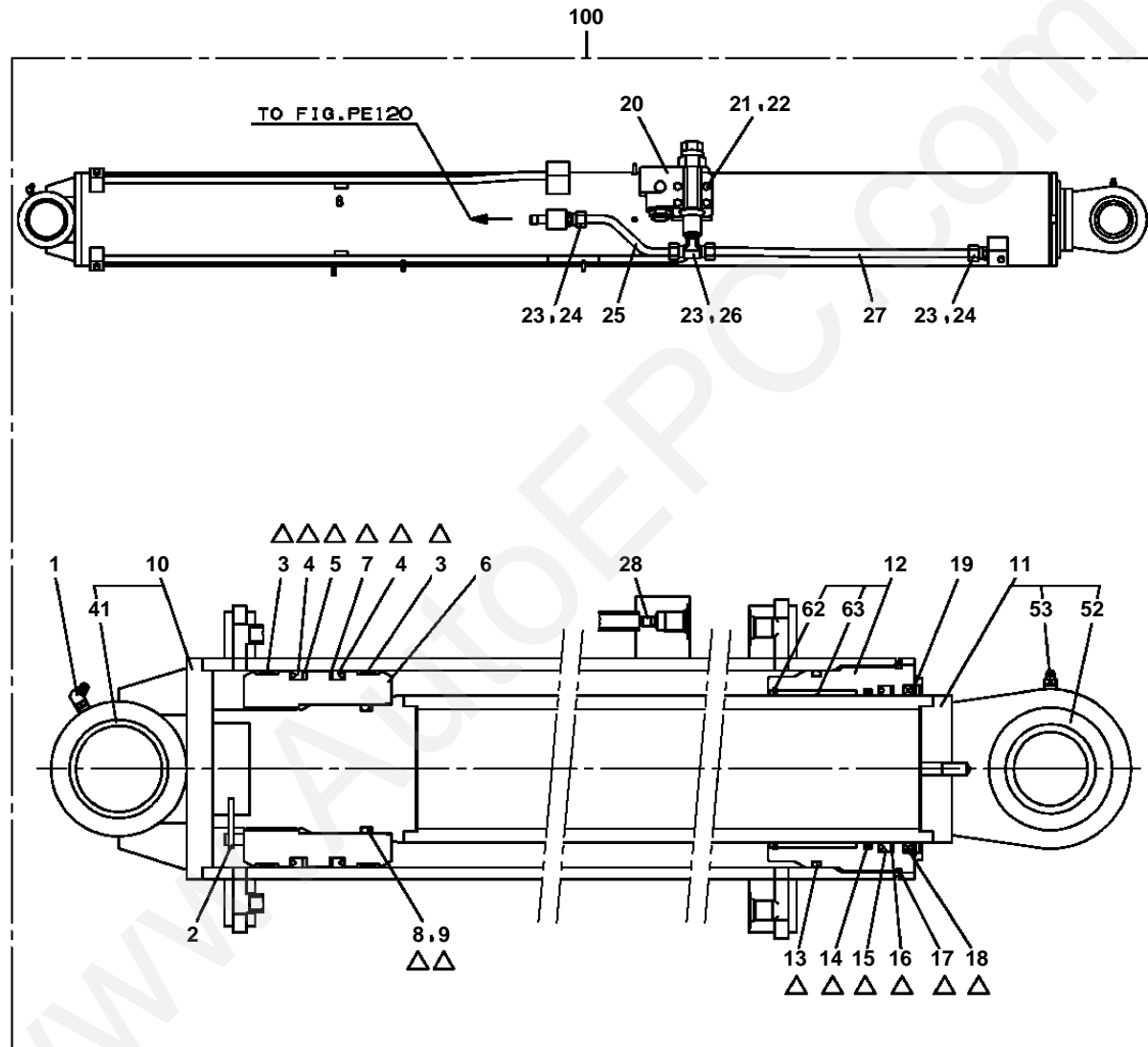


GR-120N-1-00111 12T,X,WINCH(W/O FREE-FALL),JIB(PT)

Pos No.	Parts No	Parts Name	Qty	Unit	Technical Data	Serial No (Start)	Serial No (End)	Remarks	Pages
1	80301010100	FITTING	2		KUA12-000N				
2	37000711000	CLAMP ASSY	1		12-1				
3	37000711090	CLAMP ASSY	2		18X2				
4	37000300750	SLEEVE	4		18-15				
5	81408000210	PIPE,STEEL	2	M	15X2.0T				
6	81408000210	PIPE,STEEL	2	M	15X2.0T				
7	37000300740	SLEEVE	2		18-12				
8	80301010120	FITTING	2		KUA15-000N				
9	81408000210	PIPE,STEEL	1	M	15X2.0T				
10	81408000210	PIPE,STEEL	1	M	15X2.0T				
11	80302090201	FITTING	2		KCO15-040N				
12	80303130161	FITTING,ELBOW	1		KLO12-030E				
13	81408000160	PIPE,STEEL	1	M	12X1.4T				
14	81408000160	PIPE,STEEL	1	M	12X1.4T				
15	81408000160	PIPE,STEEL	1	M	12X1.4T				
16	91002801800	O-RING	2		1B P18				
31	91002801400	O-RING	1		1B P14				

www.AutoEPC.com

GR-120N-1-00111 12T,X,WINCH(W/O FREE-FALL),JIB(P.T)
 PE1010388-00 CYLINDER,ELEVATING

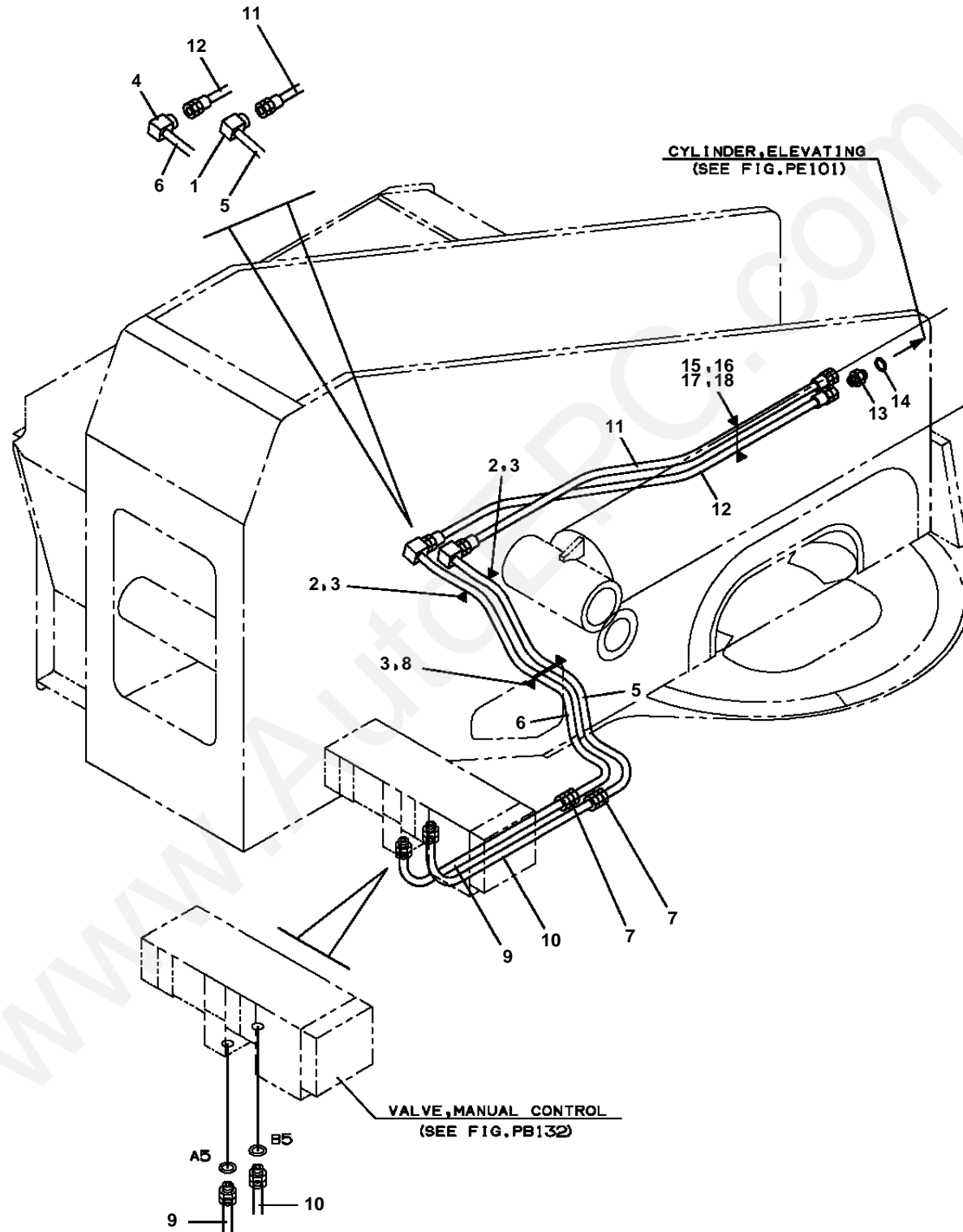


△:PACKING SET KEY NO. 80 (KEY NO.3,4,5,7,8,9,13,14,15,16,17,18)

GR-120N-1-00111 12T,X,WINCH(W/O FREE-FALL),JIB(PT)

Pos No.	Parts No	Parts Name	Qty	Unit	Technical Data	Serial No (Start)	Serial No (End)	Remarks	Pages
1	82458102000	NIPPLE,GREASE	1		B-PT1/8				
2	80720105040	PIN,SPRING	1		5X40				
3	91302216000	BEARING,PLAIN	2						
4	91684016000	PACKING	2						
5	91431214501	RING,BACKUP	1						
6	36025584000	PISTON	1						
7	91411214501	RING,BACKUP	1						
8	91002809500	O-RING	1						
9	91411009500	RING,BACKUP	1						
10	36026261000	CYLINDER	1						
11	36026262000	ROD ASSY	1						
12	36024923002	COVER,ROD	1						
13	91002815000	O-RING	1		1B P150				
14	91251101200	RING,DAMPER	1						
15	91694012000	PACKING	1						
16	91410212000	RING,BACKUP	1						
17	91000525900	O-RING	1		AS568-259				
18	91660012000	SEAL,DUST	1						
19	80622001200	RING,RITAINING	1		SP120				
20	36605170000	VALVE,COUNTERBALANCE	1						000135
21	90101508075	BOLT	4		M8X75				
22	90302040801	WASHER,SPRING	4		8				
23	91002801400	O-RING	3		1B P14				
24	80302090181	FITTING	2		KCO15-030N				
25	81408000210	PIPE,STEEL	1	M	15X2.0T				
26	80305131503	FITTING,TEE	1		T,15-G3/8-15				
27	81408000210	PIPE,STEEL	2	M	15X2.0T				
28	37000926070	ORIFICE	1		M8,0.6				
41	37000401970	BEARING,PLAIN	1						
52	80544100060	BEARING,SPHERICAL (NMB)	1						
	80530000201	BEARING,SPHERICAL (IKO)	1						
53	82456101000	NIPPLE,GREASE	1		A-PT1/8				
62	80612111270	RING,RITAINING	1		AR127				
63	37000403780	BEARING,PLAIN	1						
80	36025599900	PACKING SET (120X160)	1						
100	36026260000	CYLINDER,ELEVATING	1						

GR-120N-1-00111 12T,X,WINCH(W/O FREE-FALL),JIB(P
PE1200116-00 PIPING,ELEVATING



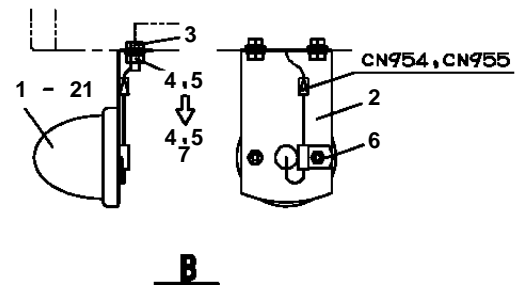
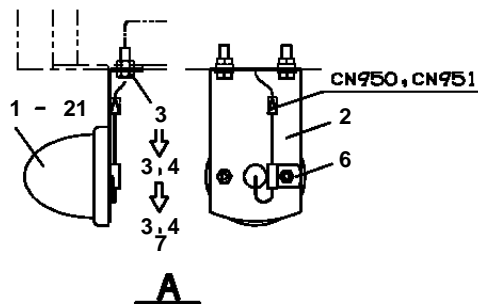
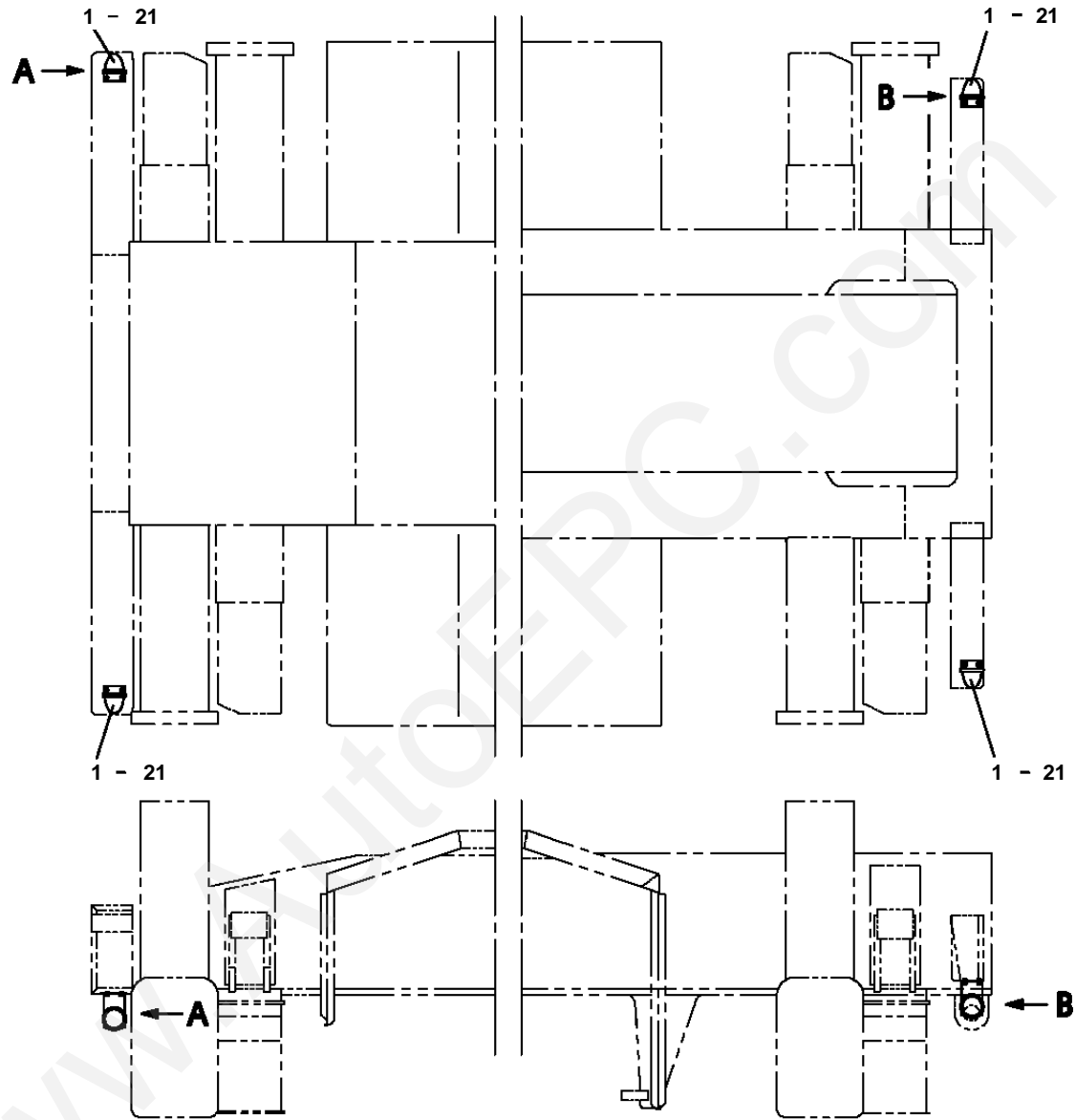
GR-120N-1-00111 12T,X,WINCH(W/O FREE-FALL),JIB(PT)

Pos No.	Parts No	Parts Name	Qty	Unit	Technical Data	Serial No (Start)	Serial No (End)	Remarks	Pages
1	37000909250	JOINT	1		L,G3/8-15				
2	37000711010	CLAMP ASSY	2		18X1				
3	37000300750	SLEEVE	4		18-15				
4	37000907080	JOINT	1		L,G1/2-15				
5	81408000210	PIPE,STEEL	1	M	15X2.0T				
6	81408000210	PIPE,STEEL	1	M	15X2.0T				
7	80301010120	FITTING	2		KUA15-000N				
8	37000711090	CLAMP ASSY	1		18X2				
9	81408000210	PIPE,STEEL	1	M	15X2.0T				
10	81408000210	PIPE,STEEL	1	M	15X2.0T				
11	37002416720	HOSE	1		L=1120				
12	37002470000	HOSE	1		L=1370				
13	80400160132	JOINT	1						
14	91002802400	O-RING	1		1B P24				
15	82100002016	CLAMP	1		WR25				
16	82100002017	CLAMP	1		WR30				
17	90280200800	NUT,FLANGE	1		M8				
18	90201200800	NUT	1		M8				

www.AutoEPC.com

GR-120N-1-00111 12T,X,WINCH(W/O FREE-FALL),JIB(P.T)
PE5020011-01 ELEC.ASSY (MARKER LAMP)

FRONT ←

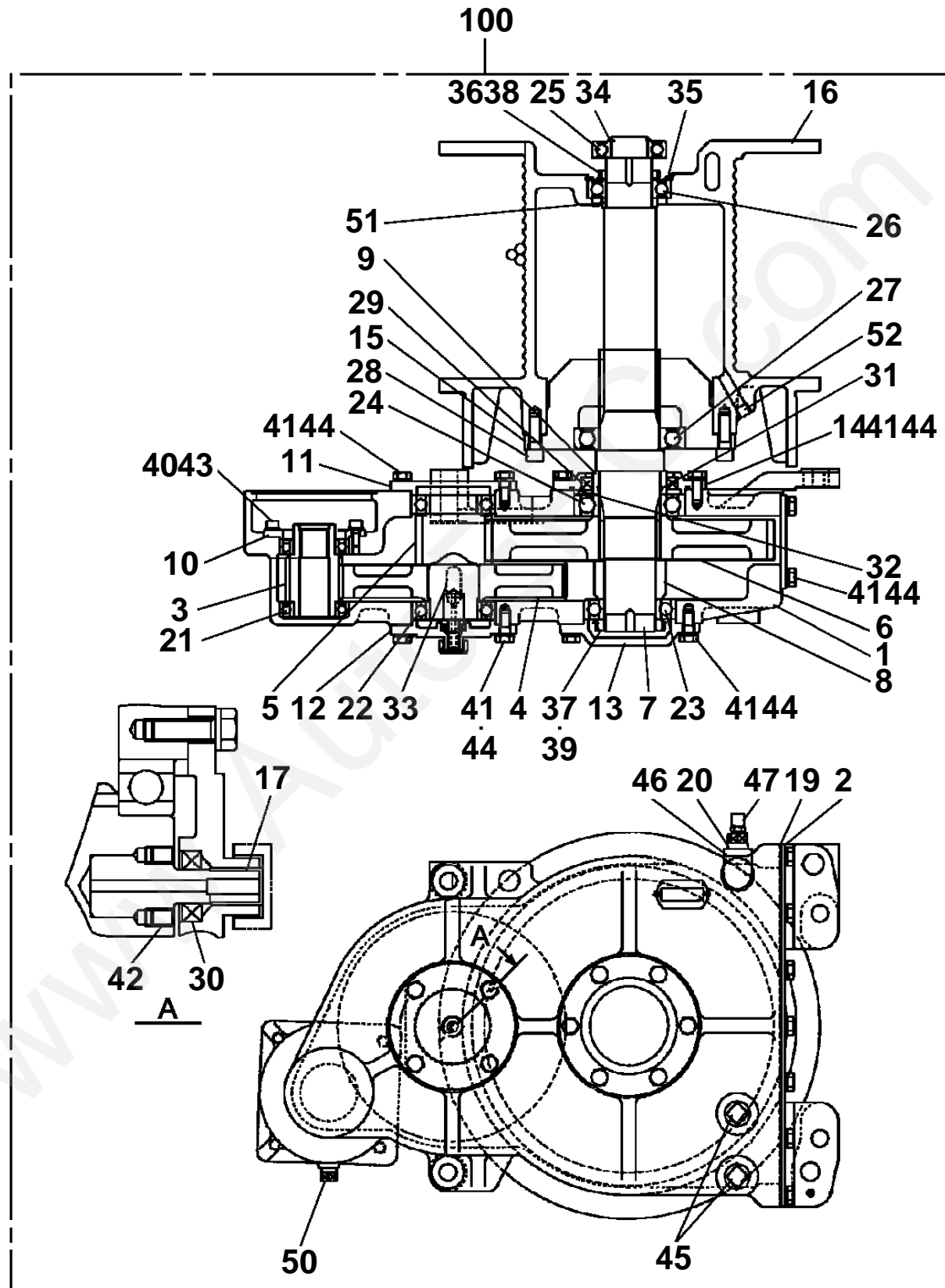


GR-120N-1-00111 12T,X,WINCH(W/O FREE-FALL),JIB(PT)

Pos No.	Parts No	Parts Name	Qty	Unit	Technical Data	Serial No (Start)	Serial No (End)	Remarks	Pages
1	82199444226	LAMP	4				FD1492		
	82199444326	LAMP (YELLOW) <24V 12W)	4			FD1493	FD1755		
	82199444329	LAMP (YELLOW)	4		24V 12W	FD1756			
2	82199404070	SUPPORT	4						
3	90186208020	BOLT,FLANGE	8		M8X20		FD1517		
	90101208020	BOLT	8		M8X20	FD1518			
4	90302040801	WASHER,SPRING	4		8		FD1517		
	90302040801	WASHER,SPRING	8		8	FD1518			
5	90280200800	NUT,FLANGE	4		M8		FD1517		
	90201200800	NUT	4		M8	FD1518			
6	82100002001	CLAMP	4		WR5	FD1493			
7	90303070801	WASHER,PLAIN	8		8	FD1615			
21	82166136411	BULB,LAMP	4		24V/12W		FD1755		
	82166600010	BULB,LAMP	4		24V/12W	FD1756			

www.AutoEPC.com

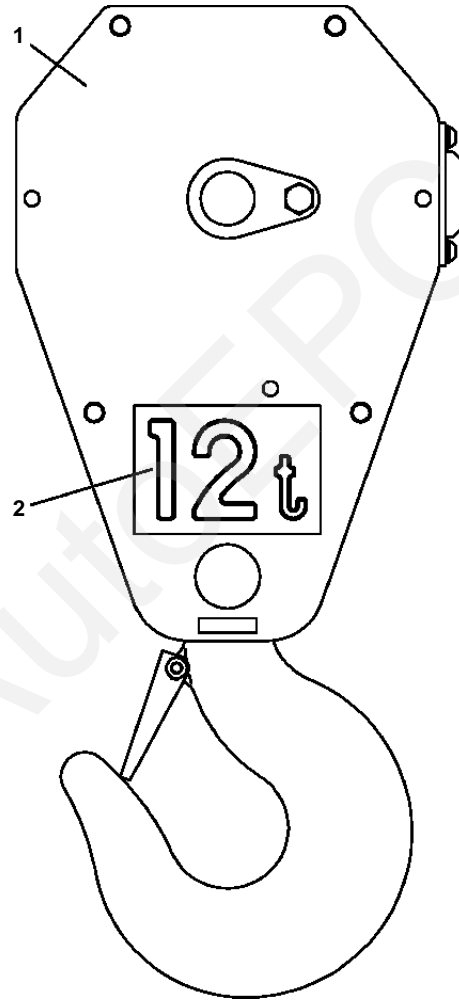
GR-120N-1-00111 12T,X,WINCH(W/O FREE-FALL),JIB(P.T)
PF1010211-00 WINCH



GR-120N-1-00111 12T,X,WINCH(W/O FREE-FALL),JIB(PT)

Pos No.	Parts No	Parts Name	Qty	Unit	Technical Data	Serial No (Start)	Serial No (End)	Remarks	Pages
1	36072925010	CASE,GEAR	1						
2	36072055020	COVER (CASE)	1						
3	36072925020	SHAFT (GEAR)	1						
4	36072925030	GEAR	1						
5	36072925040	SHAFT (GEAR)	1						
6	36072925050	GEAR	1						
7	36072925060	DRUM,SHAFT	1						
8	36072925070	SPACER	1						
9	36072035130	SPACER (4)	1						
10	36072925080	COVER	1						
11	36072035160	COVER (B)	1						
12	36072035170	COVER (C)	1						
13	36072925160	COVER	1						
14	36072925110	COVER	1						
15	36072925120	BOSS (CLUTCH)	1						
16	36072925130	DRUM	1						
17	36071105150	SHAFT	1						
19	36072055030	PACKING (SEAT)	1						
20	36072945160	PLUG	1						
21	80500006009	BEARING,BALL	2						
22	80500006210	BEARING,BALL	2						
23	80500006211	BEARING,BALL	1						
24	80500006213	BEARING,BALL	1						
25	80516006208	BEARING,BALL	1						
26	80516006210	BEARING,BALL	1						
27	80516006213	BEARING,BALL	1						
28	90131512035	BOLT,HEXAGON SOCKET	12		M12X35				
29	36072035280	SEAL,OIL	1						
30	91206012002	SEAL,OIL	1						
31	91001206500	O-RING	1		1A G65				
32	91001212000	O-RING	1		1A G120				
33	36072035290	KEY	2						
34	80601110400	RING,RITAINING	1		S40				
35	80602110900	RING,RITAINING	1		R90				
36	80561100100	NUT	1		AN10				
37	80561100110	NUT	1		AN11				
38	80562100100	WASHER (LOCK)	1		AW10				
39	80562100110	WASHER,TOOTH	1		AW11				
40	90131508020	BOLT,HEXAGON SOCKET	4		M8X20				
41	90101210025	BOLT	34		M10X25				
42	36071105160	SCREW,SET	2						
43	90302040801	WASHER,SPRING	4		8				
44	90302041001	WASHER,SPRING	34		10				
45	36072945170	PLUG	2						
46	36072945180	JOINT,ELBOW	1						
47	82400000478	BREATHER	1						
50	36072945190	PLUG	1						
51	36072925140	SPACER	1						
52	36072925150	PLUG	2						
100	36072920000	WINCH	1						

GR-120N-1-00111 12T,X,WINCH(W/O FREE-FALL),JIB(PT)
PF1050354-02 HOOK (MAIN,12TON)



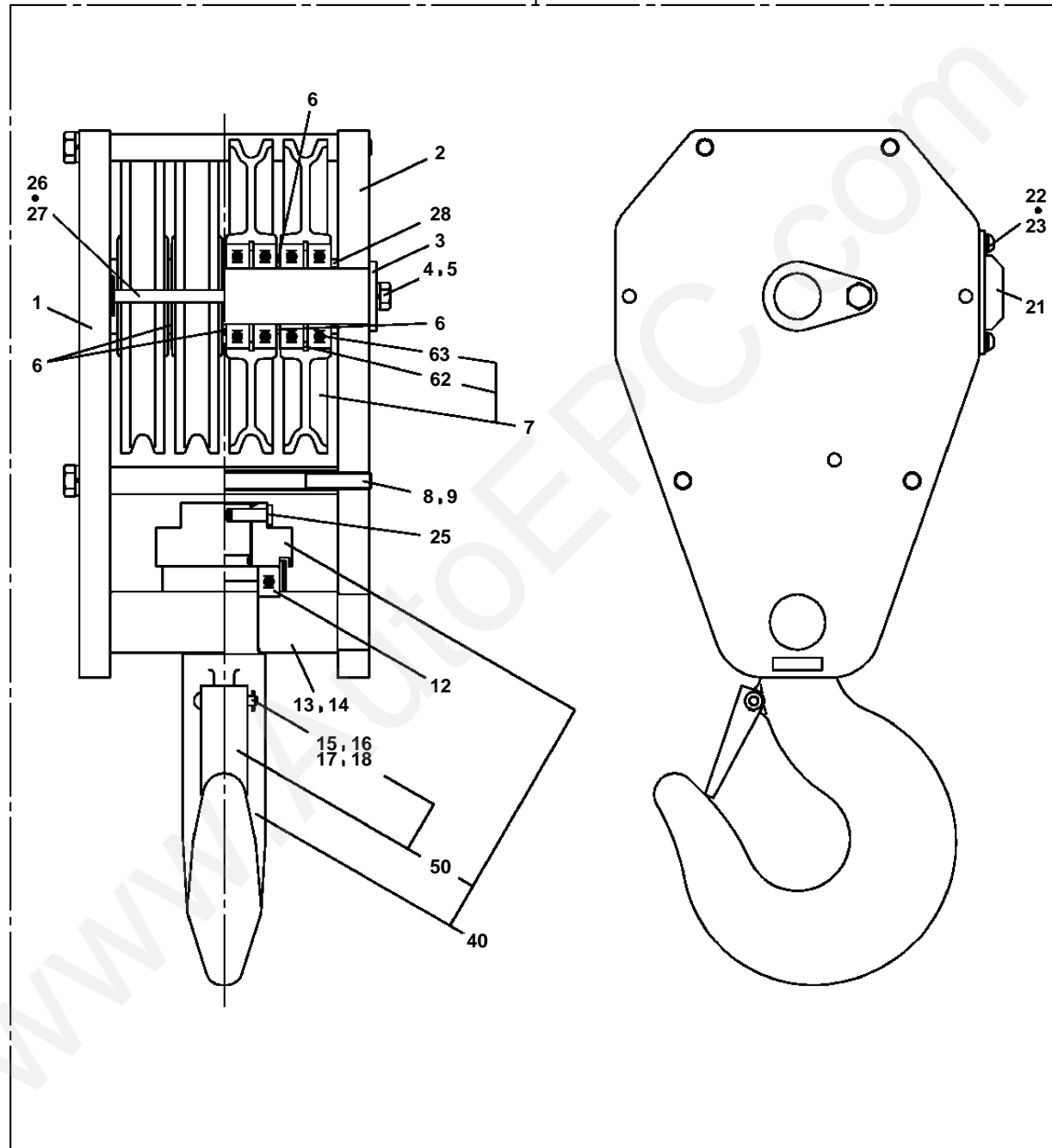
GR-120N-1-00111 12T,X,WINCH(W/O FREE-FALL),JIB(PT)

Pos No.	Parts No	Parts Name	Qty	Unit	Technical Data	Serial No (Start)	Serial No (End)	Remarks	Pages
1	36094661000	HOOK (SHEAVE 4 PC'S)	1						000061
2	37002223470	PLATE,NAME (12TON)	1						

www.AutoEPC.com

GR-120N-1-00111 12T,X,WINCH(W/O FREE-FALL),JIB(P.T)
PF1050467-00 HOOK (SHEAVE 4 PC'S)

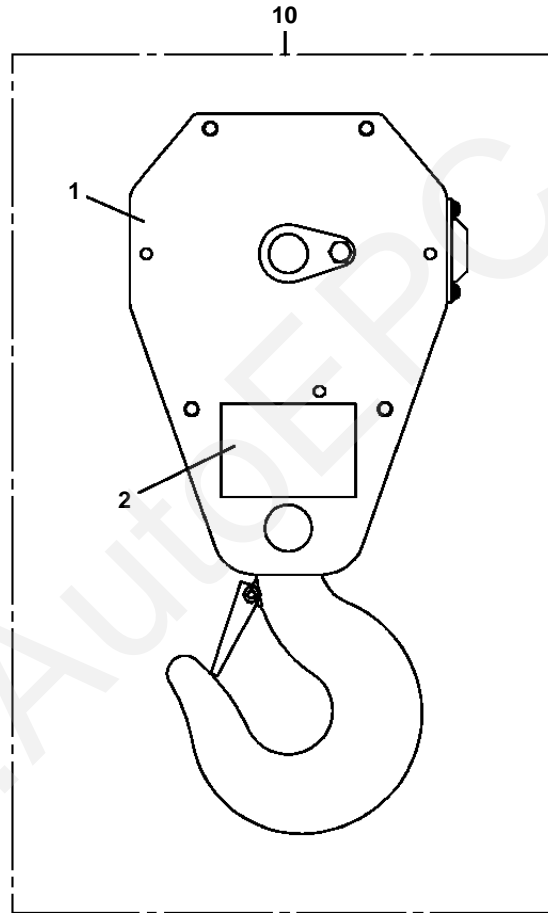
100



GR-120N-1-00111 12T,X,WINCH(W/O FREE-FALL),JIB(PT)

Pos No.	Parts No	Parts Name	Qty	Unit	Technical Data	Serial No (Start)	Serial No (End)	Remarks	Pages
1	36094661100	PLATE	1						
2	36094661200	PLATE	1						
3	37000177940	PIN	1						
4	90101212020	BOLT	1		M12X20				
5	90302041201	WASHER,SPRING	1		12				
6	37000307070	SPACER	3		L=3				
7	37001008430	SHEAVE ASSY	4						
8	90101214240	BOLT	4		M14X240				
9	90302041401	WASHER,SPRING	4		14				
10	37000310730	SPACER	4						
12	80500051211	BEARING,BALL	1						
13	36093920200	TRUNNION	1						
14	82456101000	NIPPLE,GREASE	1		A-PT1/8				
15	37001400030	SPRING	1						
16	37000105190	PIN	1						
17	80136320016	PIN,SPLIT	1		2X16				
18	90303070801	WASHER,PLAIN	1		8				
21	36094661300	CUSHION	1						
22	90180208020	BOLT,BUTTON	2		M8X20				
23	90302040801	WASHER,SPRING	2		8				
25	37000105000	PIN	1						
26	37000165410	PIN	3						
27	80620110100	PIN,SNAP	6						
28	37000312890	SPACER	2		L=5.5				
40	36093929510	HOOK ASSY	1						
50	36090279530	STOPPER ASSY	1						
62	80602110850	RING,RITAINING	4		R85				
63	80515006209	BEARING,BALL	8						
100	36094661000	HOOK (SHEAVE 4 PC'S)	1						

GR-120N-1-00111 12T,X,WINCH(W/O FREE-FALL),JIB(P
PF1050516-00 HOOK (MAIN,12TON)

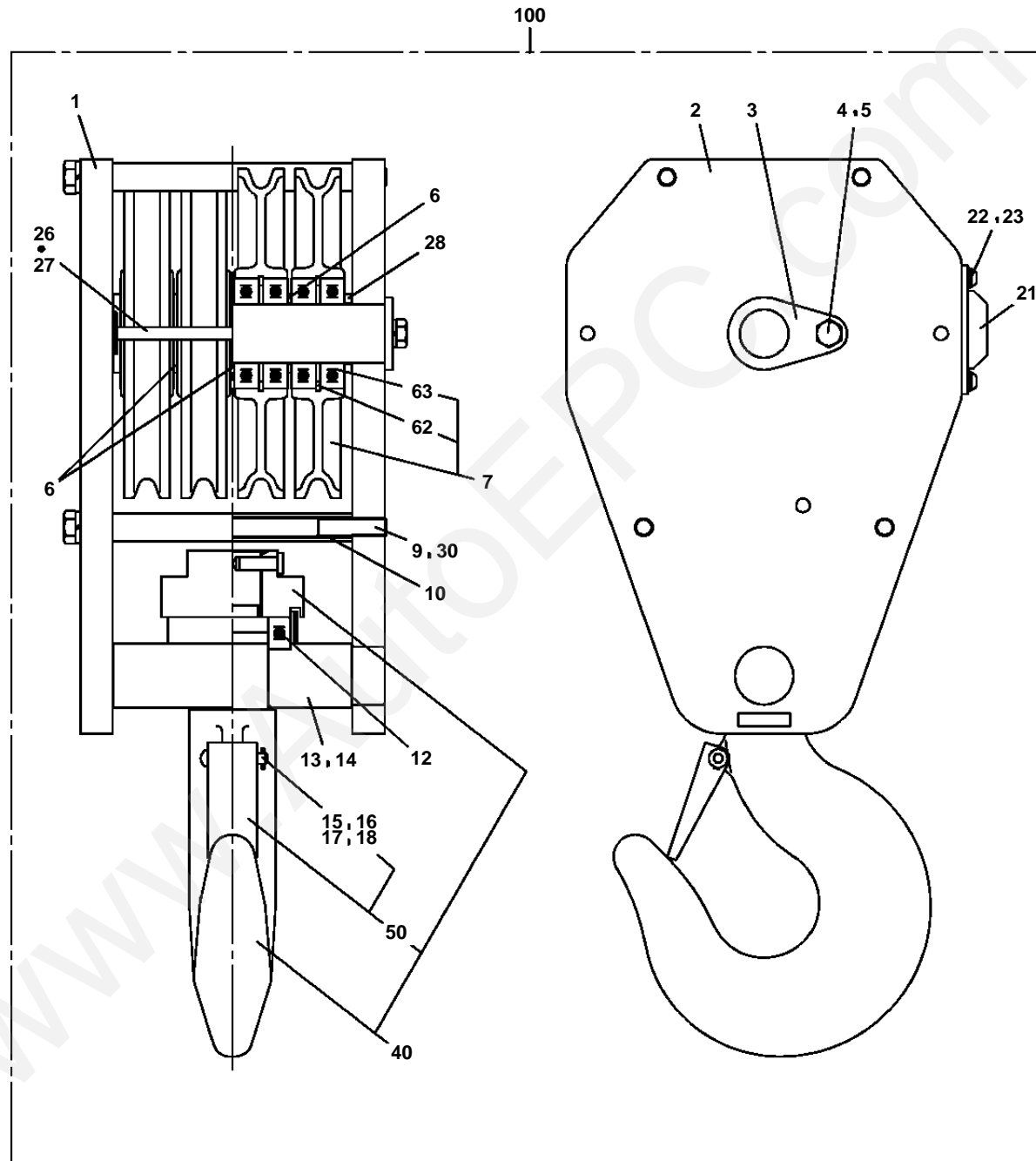


GR-120N-1-00111 12T,X,WINCH(W/O FREE-FALL),JIB(PT)

Pos No.	Parts No	Parts Name	Qty	Unit	Technical Data	Serial No (Start)	Serial No (End)	Remarks	Pages
1	36094661001	HOOK (SHEAVE 4 PC'S)	1						000063
2	37002223470	PLATE,NAME (12TON)	1						
10	36094660001	HOOK (MAIN,12TON)	1						

www.AutoEPC.com

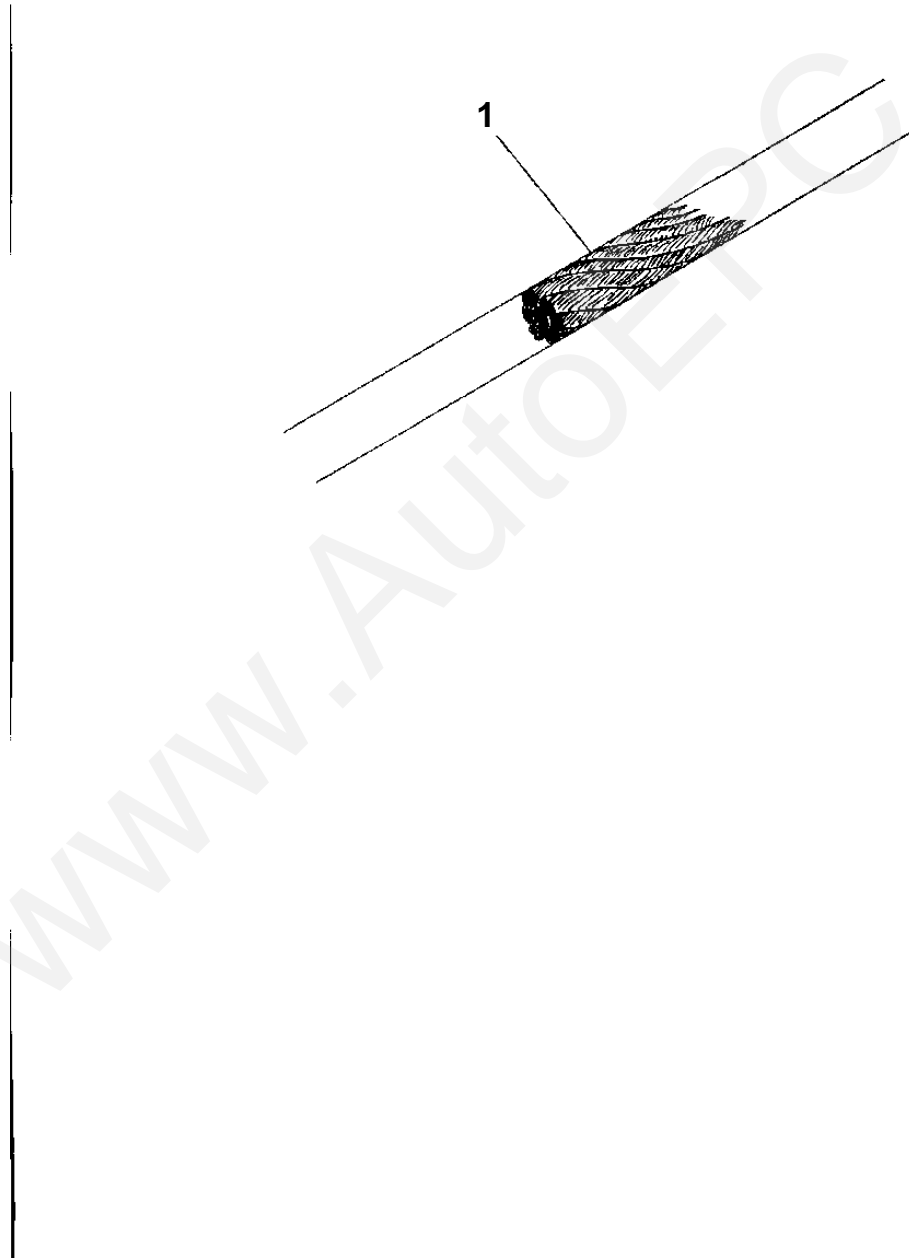
GR-120N-1-00111 12T,X,WINCH(W/O FREE-FALL),JIB(P.T)
PF1050517-00 HOOK (SHEAVE 4 PC'S)



GR-120N-1-00111 12T,X,WINCH(W/O FREE-FALL),JIB(PT)

Pos No.	Parts No	Parts Name	Qty	Unit	Technical Data	Serial No (Start)	Serial No (End)	Remarks	Pages
1	36094661101	PLATE	1						
2	36094661201	PLATE	1						
3	37000177940	PIN	1						
4	90101212020	BOLT	1		M12X20				
5	90302041201	WASHER,SPRING	1		12				
6	37000307070	SPACER	3		L=3				
7	37001008430	SHEAVE ASSY	4						
9	90302041401	WASHER,SPRING	4		14				
10	37000310730	SPACER	4						
12	80500051211	BEARING,BALL	1						
13	36093920200	TRUNNION	1						
14	82456101000	NIPPLE,GREASE	1		A-PT1/8				
15	37001400030	SPRING	1						
16	37000105190	PIN	1						
17	80136320016	PIN,SPLIT	1		2X16				
18	90303070801	WASHER,PLAIN	1		8				
21	36094661300	CUSHION	1						
22	90180208020	BOLT,BUTTON	2		M8X20				
23	90302040801	WASHER,SPRING	2		8				
25	37000105000	PIN	1						
26	37000165410	PIN	3						
27	80620110100	PIN,SNAP	6						
28	37000312890	SPACER	2		L=5.5				
30	90101214240	BOLT	4		M14X240				
40	36093929510	HOOK ASSY	1						
50	36090279530	STOPPER ASSY	1						
62	80602110850	RING,RITAINING	4		R85				
63	80515006209	BEARING,BALL	8						
100	36094661001	HOOK (SHEAVE 4 PC'S)	1						

GR-120N-1-00111 12T,X,WINCH(W/O FREE-FALL),JIB(P
PF1070031-00 ROPE,WIRE (TESAC)

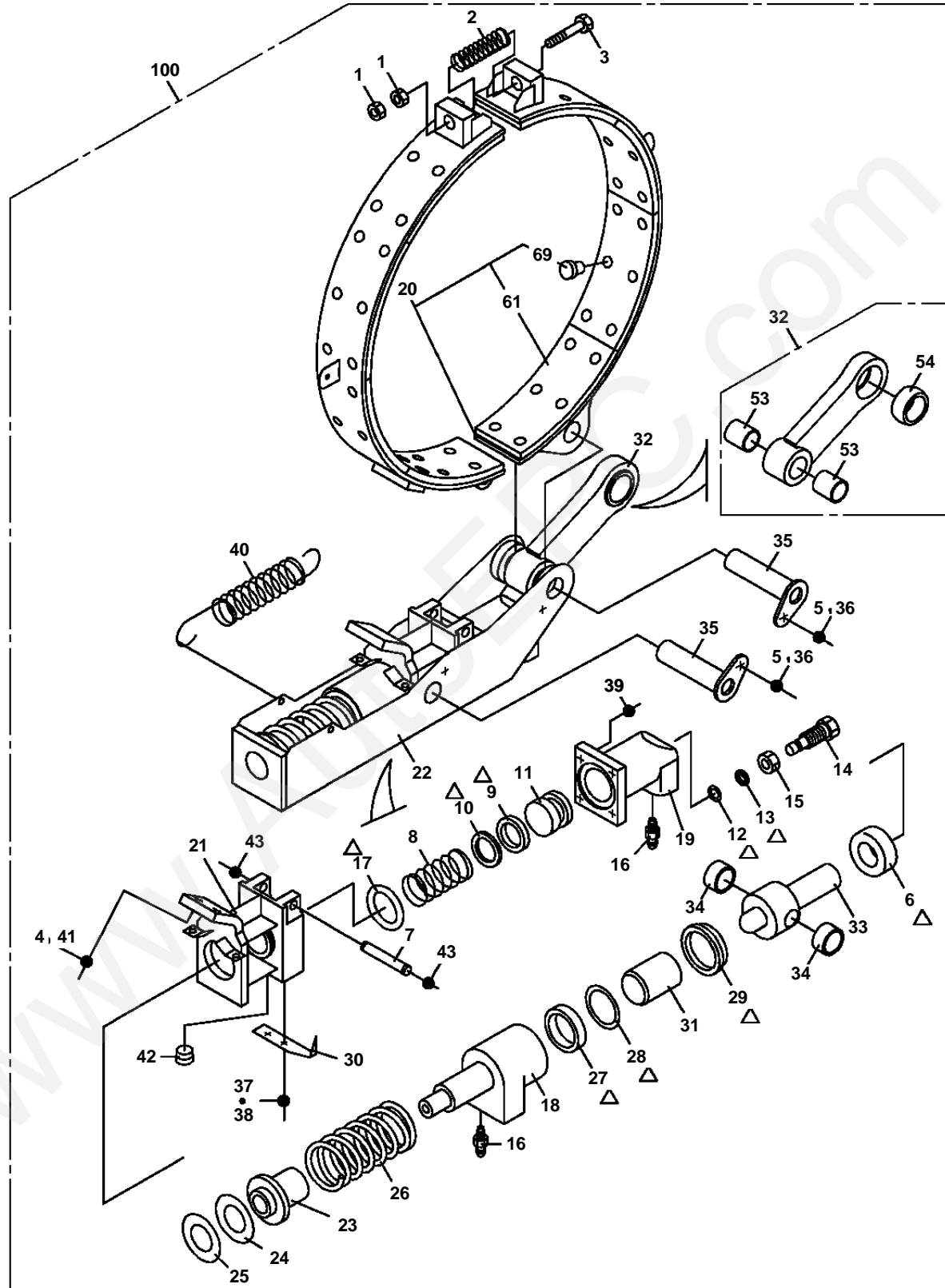


GR-120N-1-00111 12T,X,WINCH(W/O FREE-FALL),JIB(PT)

Pos No.	Parts No	Parts Name	Qty	Unit	Technical Data	Serial No (Start)	Serial No (End)	Remarks	Pages
1	37001806340	ROPE,WIRE (TESAC)	1						

www.AutoEPC.com

GR-120N-1-00111 12T,X,WINCH(W/O FREE-FALL),JIB(P
 PF1120024-02 BAND,WINCH BRAKE

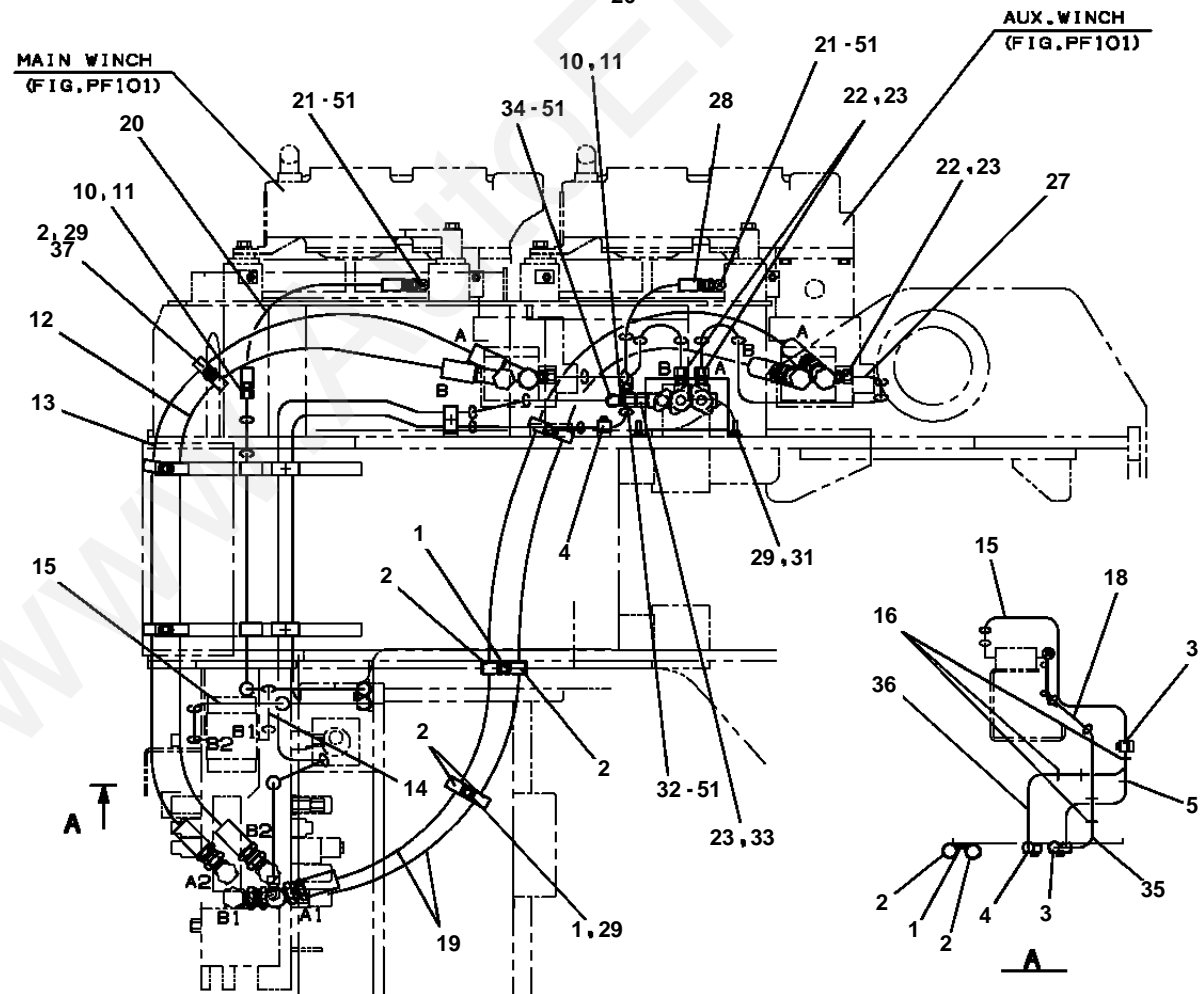
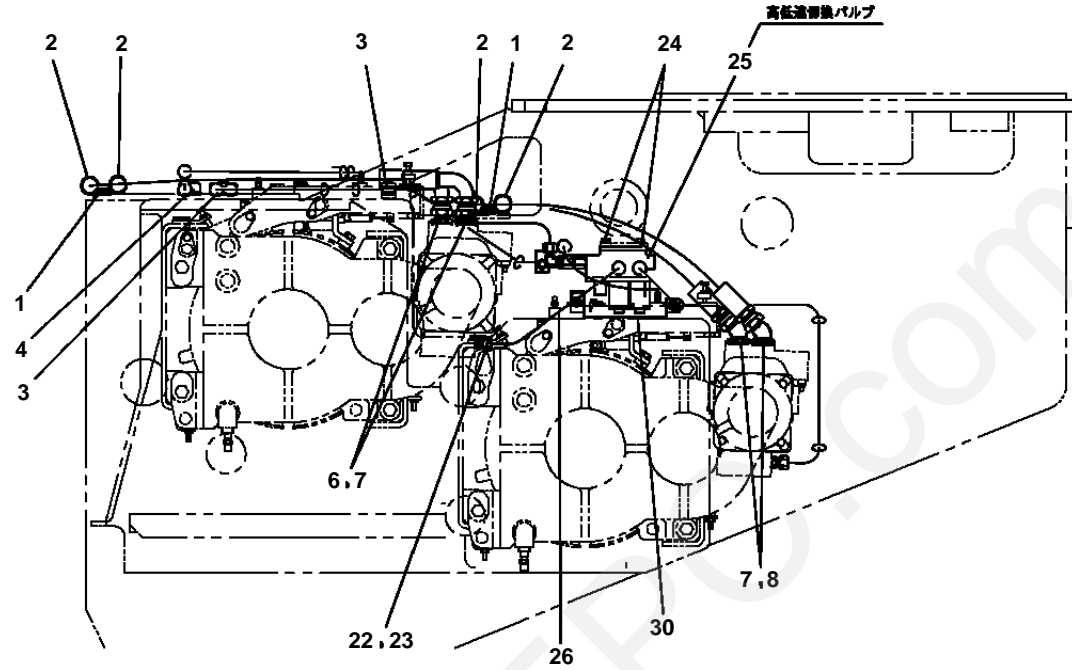


△:PACKING SET KEY NO. 90 (KEY NO.6,9,10,12,13,17,27,28,29)

GR-120N-1-00111 12T,X,WINCH(W/O FREE-FALL),JIB(PT)

Pos No.	Parts No	Parts Name	Qty	Unit	Technical Data	Serial No (Start)	Serial No (End)	Remarks	Pages
1	90265401200	NUT	2		M12				
2	37001201370	SPRING	1						
3	90101512130	BOLT	1						
4	90191510022	BOLT	2		M10X22				
5	90302040801	WASHER,SPRING	2		8				
6	34310583900	BOOT	1						
7	37000179660	PIN	1						
8	37001200800	SPRING	1						
9	34310584500	PACKING	1						
10	34310584600	RING,BACKUP	1						
11	34310584000	PISTON	1						
12	91002800600	O-RING	1		1B P6				
13	91411000600	RING,BACKUP	1		P6				
14	34310583800	BOLT	1						
15	90266201200	NUT	1		M12				
16	59457138000	PLUG ASSY	2						
17	91002904000	O-RING	1		1B G40				
18	34311123100	CYLINDER	1						
19	34311123200	CYLINDER	1						
20	34311682100	BAND	1						
21	34311682300	SUPPORT	1						
22	34311682400	SUPPORT	1						
23	34311123600	SUPPORT	1						
24	37000554060	PLATE	4						
25	37000554070	PLATE	1						
26	37001201860	SPRING	1						
27	91694003500	PACKING	1						
28	91410203501	RING,BACKUP	1						
29	91660003501	SEAL,DUST	1						
30	34311123650	INDICATOR	1						
31	34311123670	PISTON	1						
32	34311682600	LINK ASSY	1						
33	34311123800	ROD	1						
34	37000308910	SPACER	2						
35	37000155660	PIN	2						
36	90101508014	BOLT	2		M8X14				
37	90101206016	BOLT	2		M6X16				
38	90302040601	WASHER,SPRING	2		6				
39	90172108022	BOLT,HEXAGON SOCKET	4		M8X22				
40	37001300120	SPRING	2						
41	90302041001	WASHER,SPRING	2		10				
42	80316030020	PLUG	1		PT1/8				
43	80613110070	RING,RETAINING	2						
53	80801002025	BEARING,PLAIN	2						
54	80530000221	BEARING,SPHERICAL	1						
61	34311663120	LINING (AKEBINO BRAKE)	8						
	34311663200	LINING (FUJI BRAKE)	8						
	34311663201	LINING (FUJI BRAKE)	8			FD0819	FD0818		
	34311663202	LINING (FUJI BRAKE)	8			FD0995	FD0994		
69	32330014500	RIVET	48		5X9X10				
90	34311129900	PACKING SET	1						
100	34311682000	BAND,WINCH BRAKE	1						

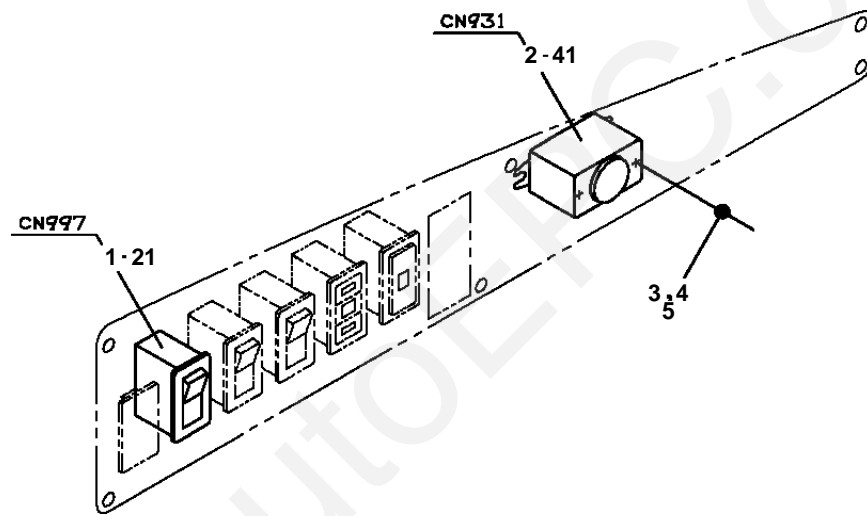
GR-120N-1-00111 12T,X,WINCH(W/O FREE-FALL),JIB(P.T)
 PF1200300-00 PIPING,WINCH



GR-120N-1-00111 12T,X,WINCH(W/O FREE-FALL),JIB(PT)

Pos No.	Parts No	Parts Name	Qty	Unit	Technical Data	Serial No (Start)	Serial No (End)	Remarks	Pages
1	90186208014	BOLT,FLANGE	5		M8X14				
2	82100002017	CLAMP	12		WR30				
3	37000711080	CLAMP ASSY	4		12-2				
4	37000711000	CLAMP ASSY	3		12-1				
5	81408000160	PIPE,STEEL	2	M	12X1.4T				
6	80400160133	JOINT	2						
7	91002802400	O-RING	4		1B P24				
8	80471020506	JOINT	2		45,G3/4-G3/4				
10	80309010105	SLEEVE	2		KK012-000E				
11	80306010105	NUT	2		KKN12-000E				
12	37002469980	HOSE	1		L=1560				
13	37002469990	HOSE	1		L=1690				
14	81408000160	PIPE,STEEL	1	M	12X1.4T				
15	81408000160	PIPE,STEEL	1	M	12X1.4T				
16	80301010100	FITTING	3		KUA12-000N				
18	81408000160	PIPE,STEEL	1	M	12X1.4T				
19	37002470010	HOSE	2		L=1830				
20	37002470080	HOSE	1		L=500				
21	80430620400	JOINT	2						
22	80302090141	FITTING	4		KCO12-020N				
23	91002801100	O-RING	5		1B P11				
24	90186210020	BOLT,FLANGE	2		M10X20				
25	36648880000	VALVE,SOLENOID	1						000113
26	81408000160	PIPE,STEEL	1	M	12X1.4T				
27	81408000160	PIPE,STEEL	1	M	12X1.4T				
28	37002402510	HOSE	1		L=375				
29	90280200800	NUT,FLANGE	4		M8				
30	34344132600	COVER	1						
31	90303071201	WASHER,PLAIN	2		12				
32	36672630000	FILTER (WITH O-RING)	1						
33	37000922250	JOINT (ORIFICE)	1		0.8				
34	80303130141	FITTING,ELBOW	1		KLO12-020E				
35	81408000160	PIPE,STEEL	2	M	12X1.4T				
36	81408000160	PIPE,STEEL	1	M	12X1.4T				
37	90186208020	BOLT,FLANGE	1		M8X20				
51	91002801100	O-RING	4		1B P11				

GR-120N-1-00111 12T,X,WINCH(W/O FREE-FALL),JIB(P
PF1260027-00 INDICATOR,DRUM

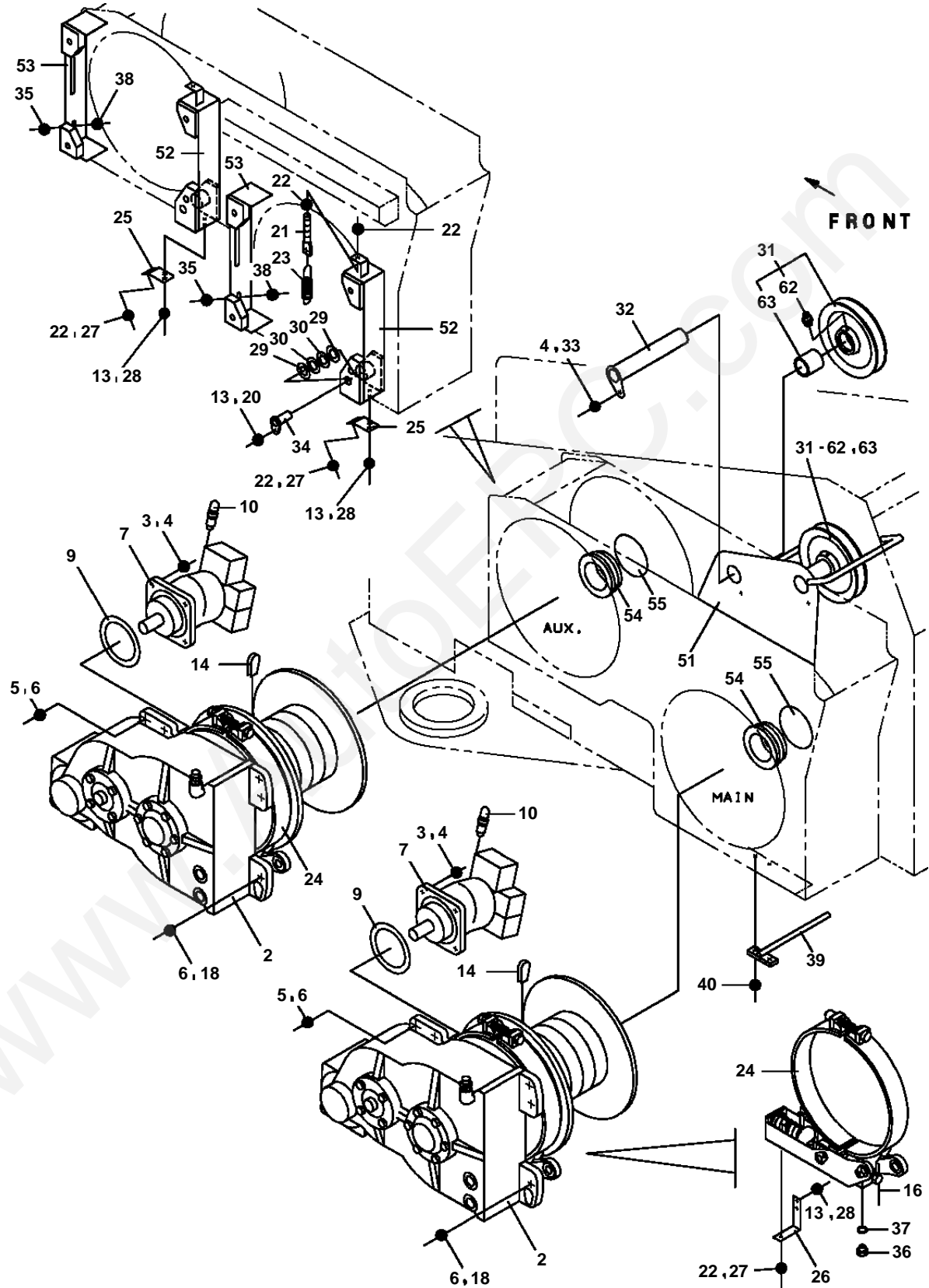


GR-120N-1-00111 12T,X,WINCH(W/O FREE-FALL),JIB(PT)

Pos No.	Parts No	Parts Name	Qty	Unit	Technical Data	Serial No (Start)	Serial No (End)	Remarks	Pages
1	34352061050	SWITCH ASSY (WITH CONNECTOR)	1						
2	42652120300	BUZZER ASSY	1						
3	90925025081	SCREW,TAPPING	2						
4	90303070251	WASHER,PLAIN	2		2.5				
5	90302040251	WASHER,SPRING	2		2.5				
21	82105420115	SWITCH,ROCKER	1						
41	82195402114	BUZZER	1						

www.AutoEPC.com

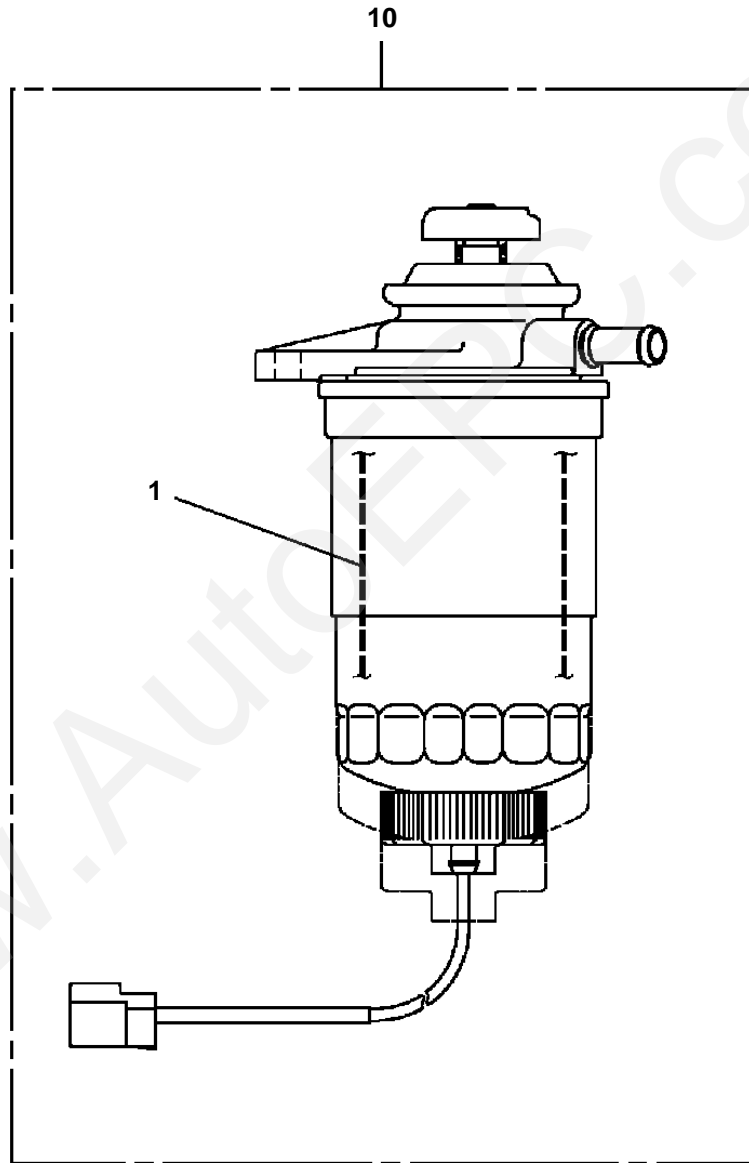
GR-120N-1-00111 12T,X,WINCH(W/O FREE-FALL),JIB(P.T)
PF1400328-00 MOUNT,WINCH



GR-120N-1-00111 12T,X,WINCH(W/O FREE-FALL),JIB(PT)

Pos No.	Parts No	Parts Name	Qty	Unit	Technical Data	Serial No (Start)	Serial No (End)	Remarks	Pages
2	36072920000	WINCH	2						000059
3	90101512040	BOLT	8		M12X40				
4	90302041201	WASHER,SPRING	10		12				
5	90192516085	BOLT	4		M16X85				
6	90302041601	WASHER,SPRING	8		16				
7	36663290001	MOTOR,HYDRAULIC (WINCHI)	2						000099
9	91002913000	O-RING	2		1B G130				
10	59457138000	PLUG ASSY	2						
13	90302040801	WASHER,SPRING	10		8				
14	37002600210	WEDGE	2		11.2				
16	34310580090	WIRE	2						
18	90191516050	BOLT	4						
20	90101508014	BOLT	2		M8X14				
21	32330010160	ADJUSTER	4						
22	90203200800	NUT	12		M8				
23	37001300060	SPRING	4						
24	34311682000	BAND,WINCH BRAKE	2						000065
25	34311120800	SUPPORT	2						
26	34311680100	SUPPORT	2						
27	90102208035	BOLT	4		M8X35				
28	90101208020	BOLT	8		M8X20				
29	37000524640	PLATE	4						
30	32320000080	PLATE	2		T=1.0				
31	37001008570	SHEAVE ASSY	2						
32	37000178000	PIN	2						
33	90101212020	BOLT	2		M12X20				
34	37000178100	PIN	2						
35	90102210100	BOLT	2		M10X100				
36	80316070040	PLUG	2		PF1/4				
37	91002801100	O-RING	2		1B P11				
38	90203201000	NUT	2		M10				
39	34311681500	SUPPORT	1						
40	90186208020	BOLT,FLANGE	2		M8X20				
51	34311681100	SUPPORT	1						
52	34311681200	SUPPORT	2						
53	34311681300	SUPPORT	2						
54	34311341400	BOSS	2						
55	34311341300	PLATE	2						
62	82456106000	NIPPLE,GREASE	2		1/4-28UNF			FD1787	
	82455106000	NIPPLE,GREASE	2		A-M6F FE	FD1788			
63	37000401540	BEARING,PLAIN	2						

GR-120N-1-00111 12T,X,WINCH(W/O FREE-FALL),JIB(P
PF5030010-00 FILTER ASSY

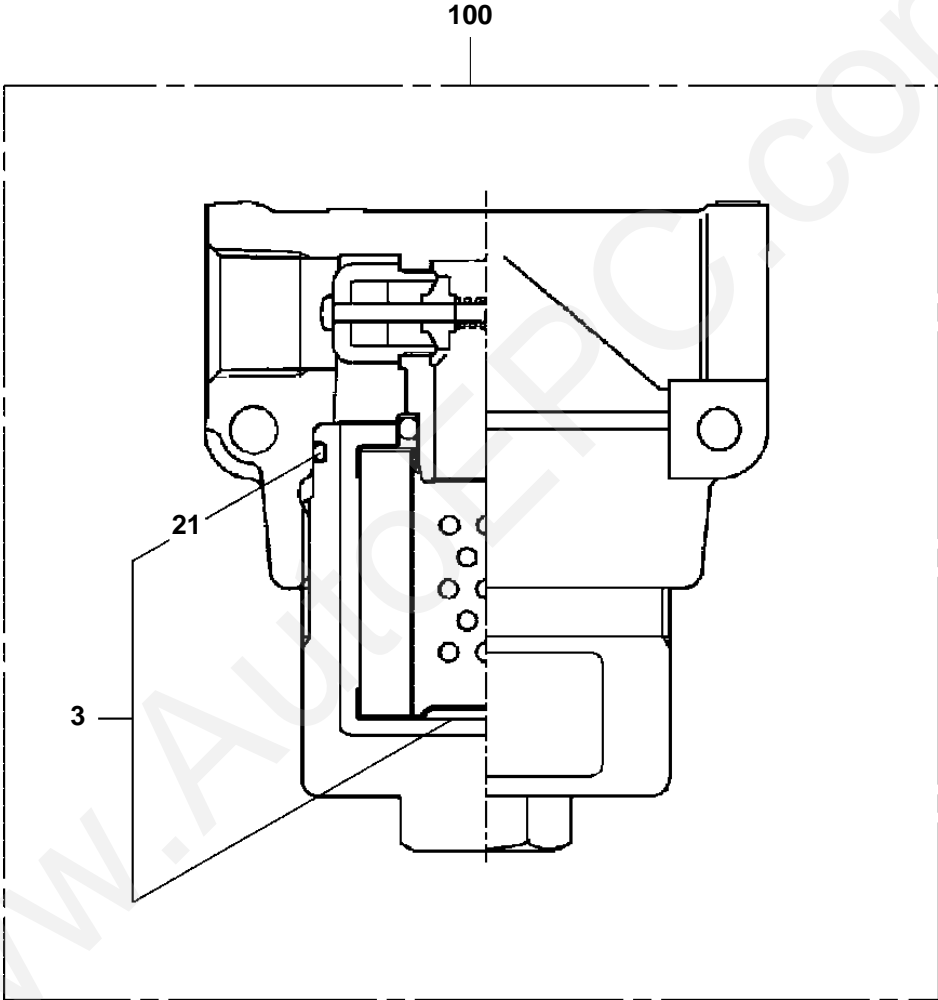


GR-120N-1-00111 12T,X,WINCH(W/O FREE-FALL),JIB(PT)

Pos No.	Parts No	Parts Name	Qty	Unit	Technical Data	Serial No (Start)	Serial No (End)	Remarks	Pages
1	36361125010	CARTRIDGE,FILTER	1						
10	36361121070	FILTER ASSY	1						

www.AutoEPC.com

GR-120N-1-00111 12T,X,WINCH(W/O FREE-FALL),JIB(P
PF5030011-02 FILTER ASSY (WATER)

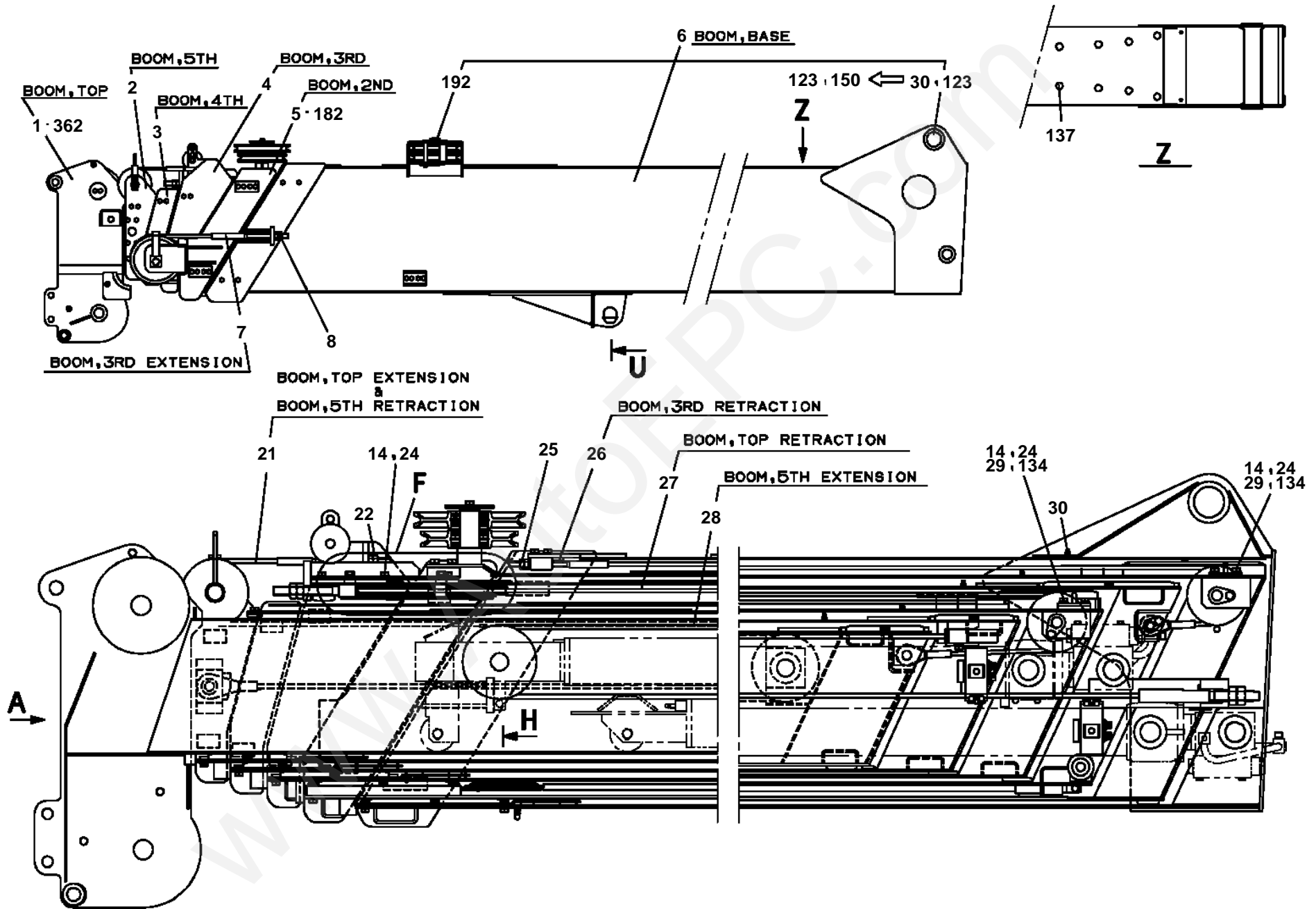


GR-120N-1-00111 12T,X,WINCH(W/O FREE-FALL),JIB(PT)

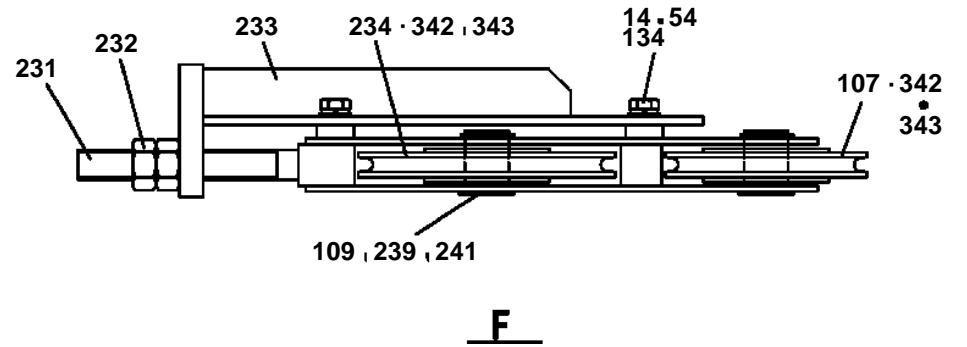
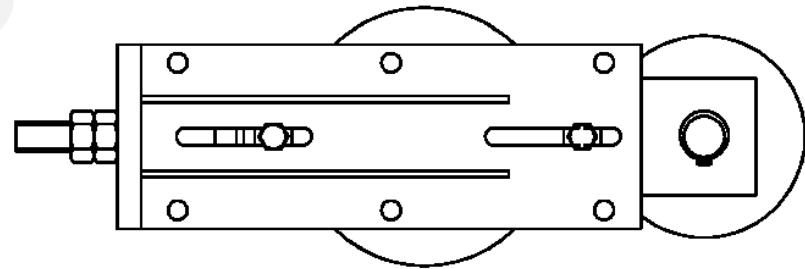
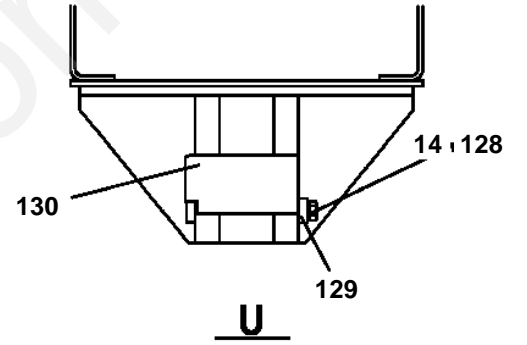
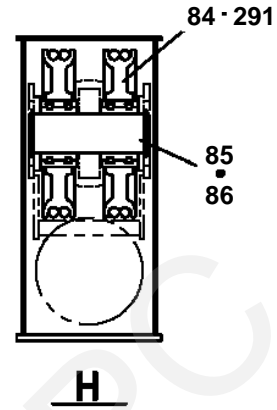
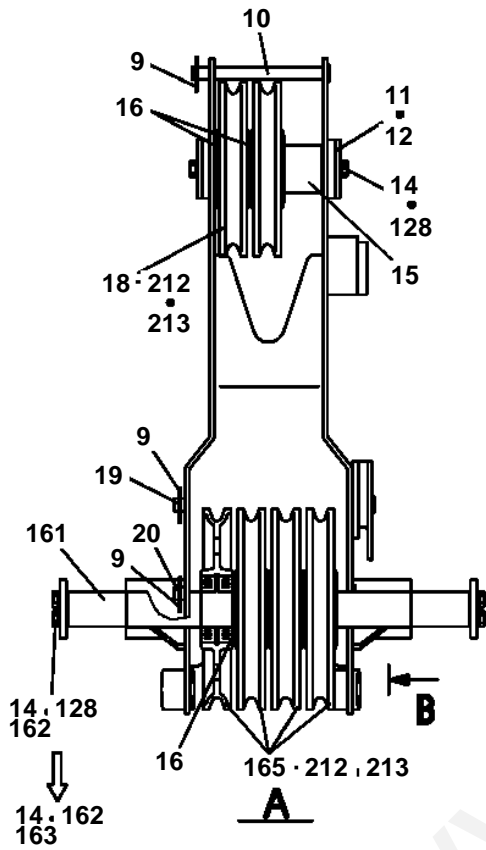
Pos No.	Parts No	Parts Name	Qty	Unit	Technical Data	Serial No (Start)	Serial No (End)	Remarks	Pages
3	34781957541	ELEMENT ASSY	1						
21	34781957530	O-RING	1						
100	34781951002	FILTER ASSY (WATER)	1						

www.AutoEPC.com

GR-120N-1-00111 12T,X,WINCH(W/O FREE-FALL),JIB(P.T)
PG1010697-05 BOOM (6 SECT.)

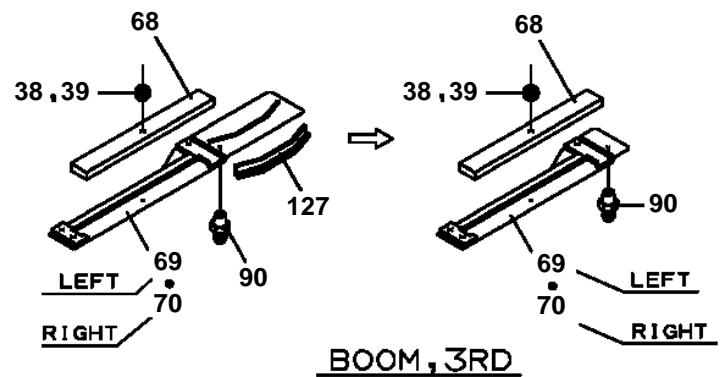
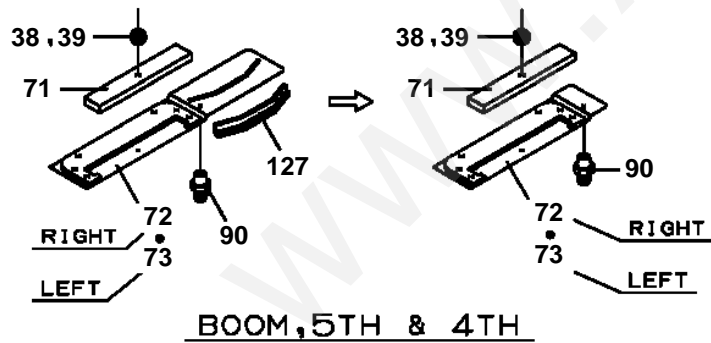
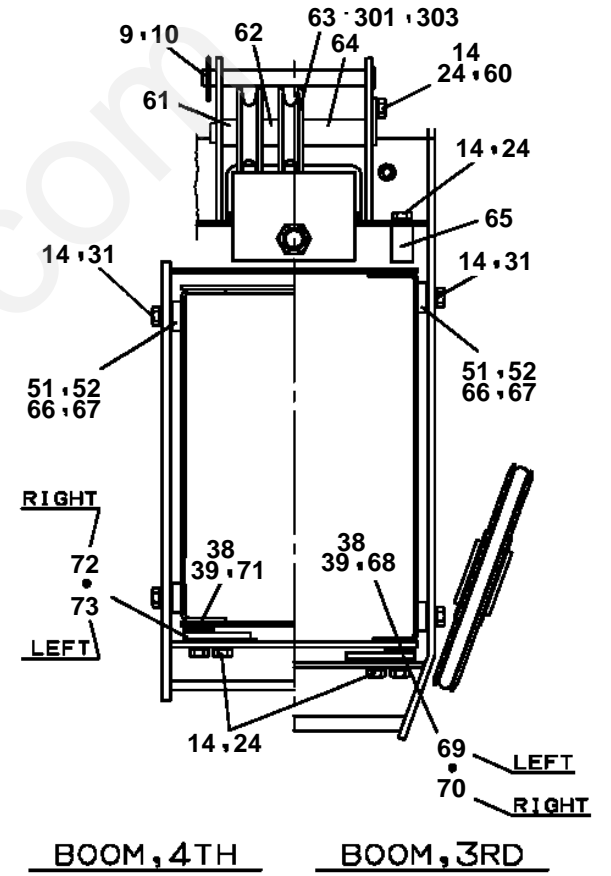
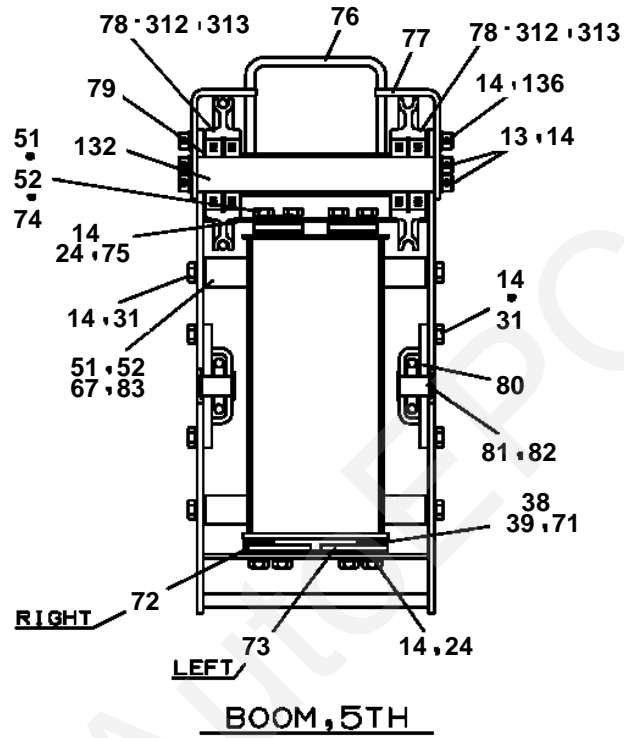
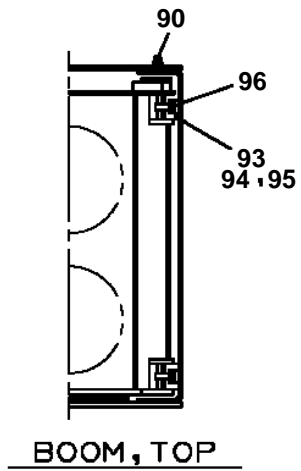


GR-120N-1-00111 12T,X,WINCH(W/O FREE-FALL),JIB(P.T)
 PG1010697-05 BOOM (6 SECT.)



GR-120N-1-00111 12T,X,WINCH(W/O FREE-FALL),JIB(P.T)
 PG1010697-05 BOOM (6 SECT.)

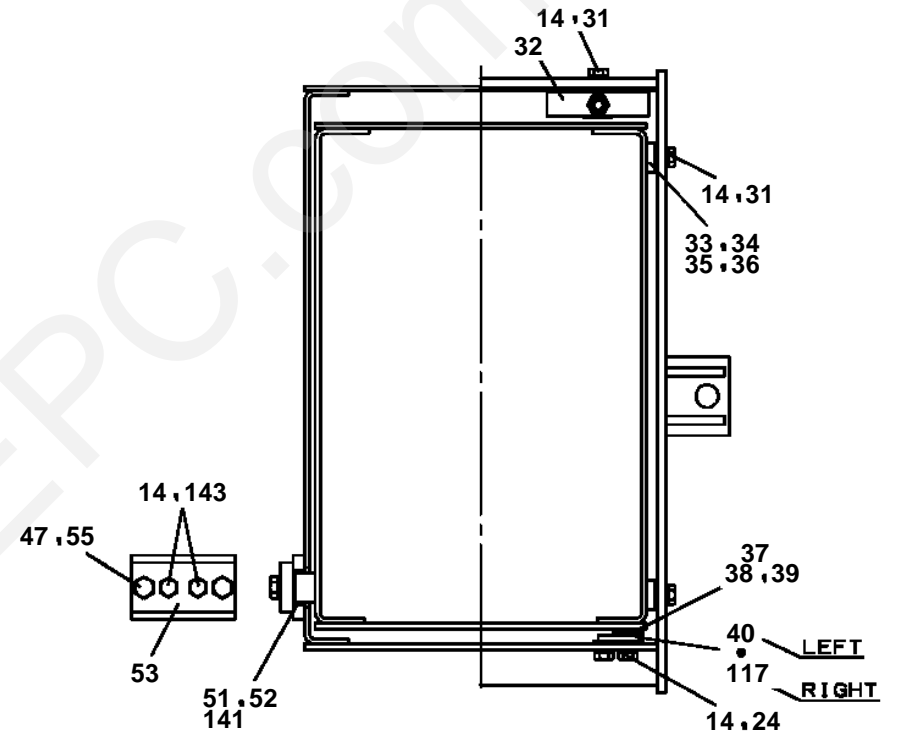
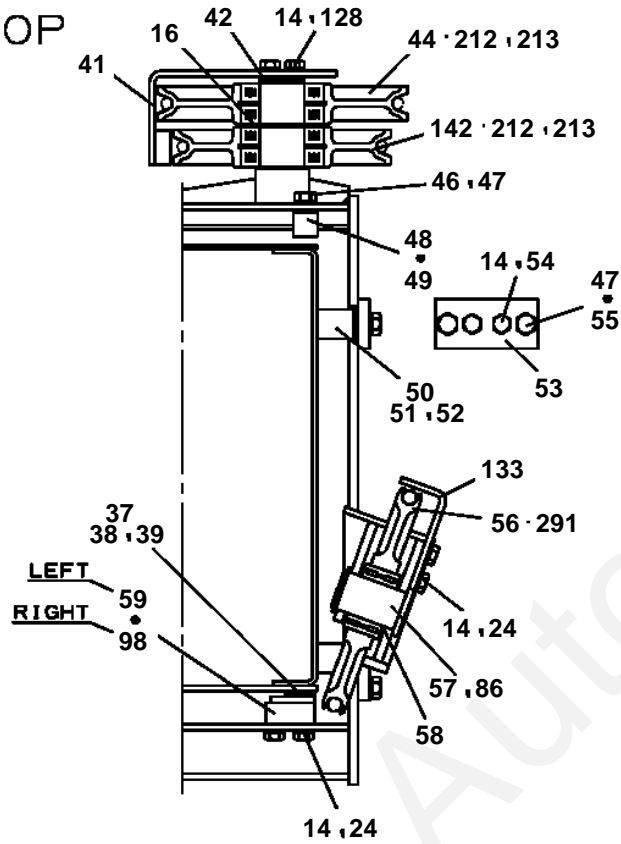
ブーム先端部
 BOOM TOP



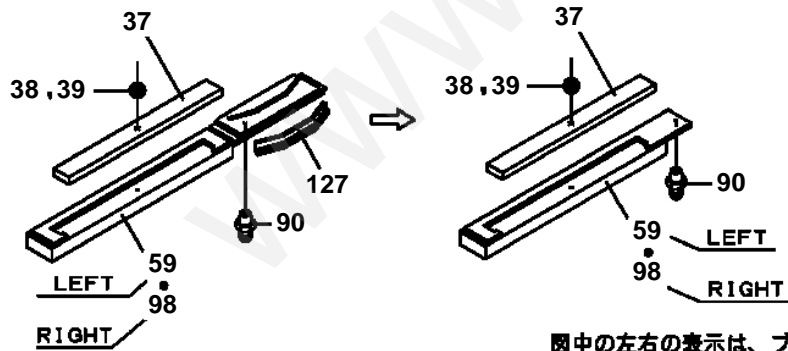
图中的左右の表示は、ブーム後端から先端を見たものです。
 THE RIGHT AND LEFT IN FIGURE ARE THE EXPRESSION THAT SEES FROM BOOM END TO TOP.

GR-120N-1-00111 12T,X,WINCH(W/O FREE-FALL),JIB(P.T)
PG1010697-05 BOOM (6 SECT.)

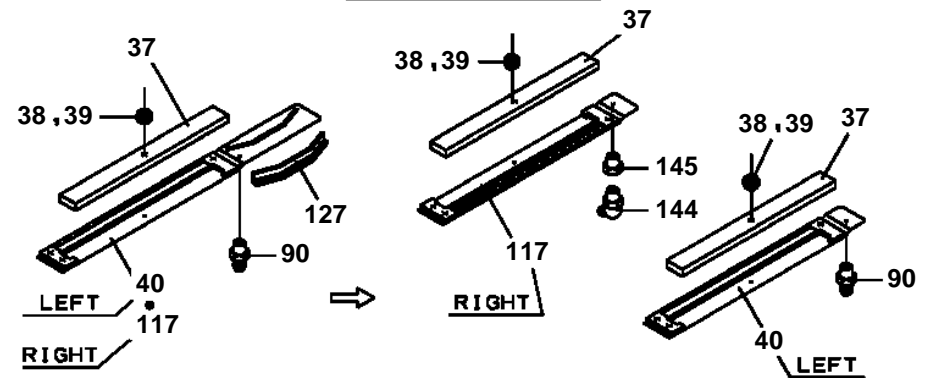
ブーム先端部
BOOM TOP



BOOM, 2ND



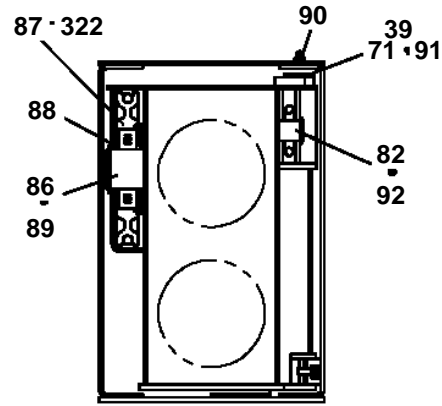
BOOM, BASE



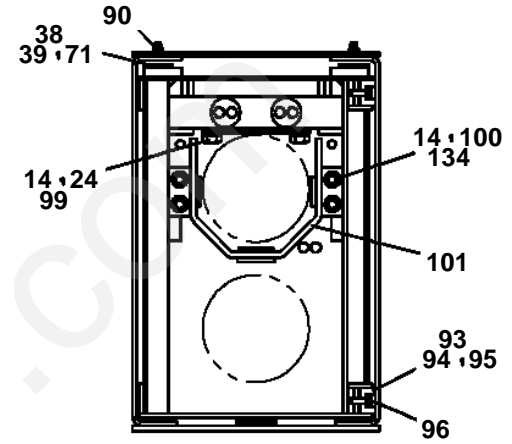
図中の左右の表示は、ブーム後端から先端を見たものです。
THE RIGHT AND LEFT IN FIGURE ARE THE EXPRESSION THAT SEES FROM BOOM END TO TOP.

GR-120N-1-00111 12T,X,WINCH(W/O FREE-FALL),JIB(P.T)
 PG1010697-05 BOOM (6 SECT.)

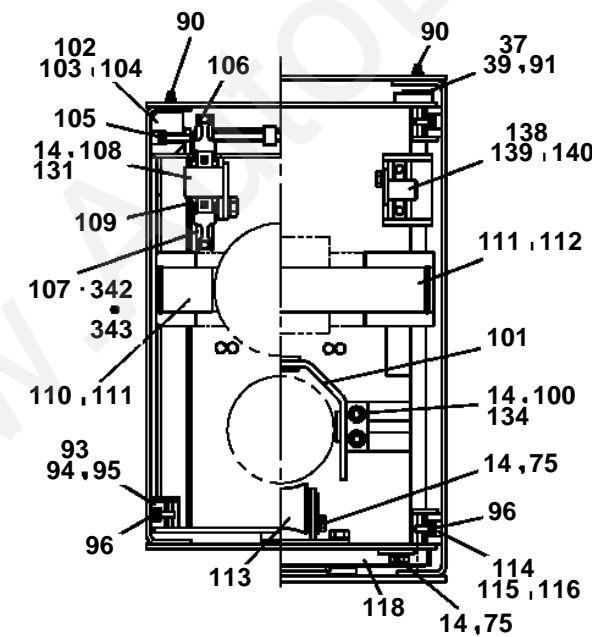
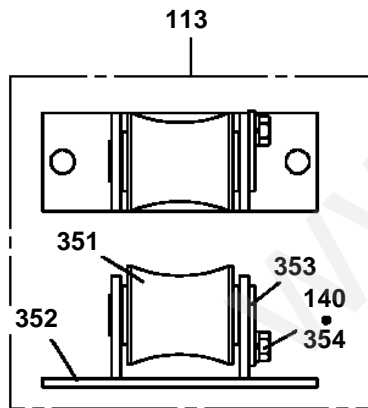
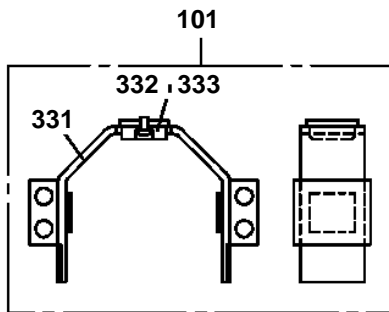
ブーム後端部
 BOOM END



BOOM, TOP

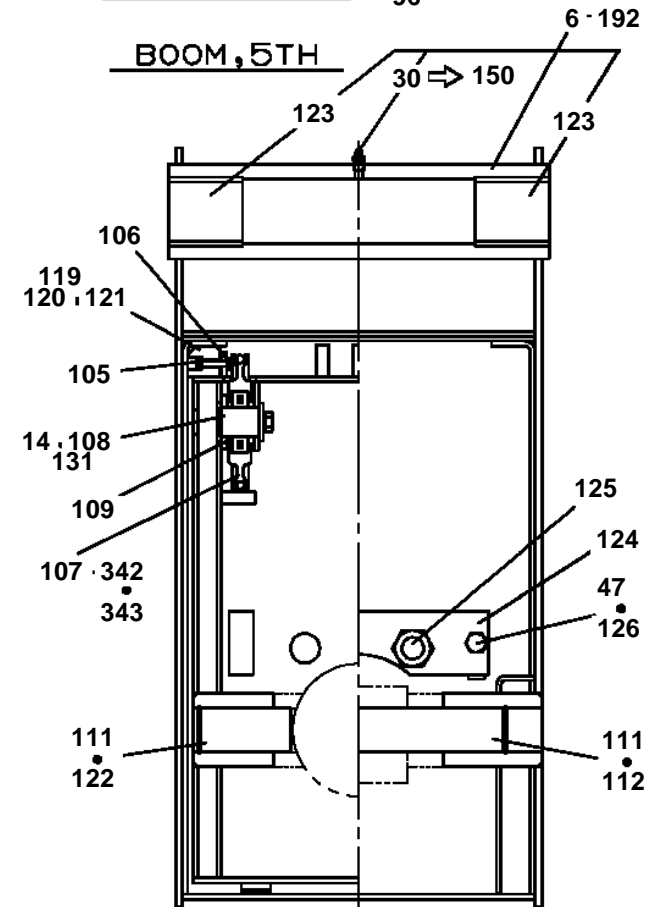


BOOM, 5TH



BOOM, 4TH

BOOM, 3RD



BOOM, 2ND

BOOM, BASE

GR-120N-1-00111 12T,X,WINCH(W/O FREE-FALL),JIB(PT)

Pos No.	Parts No	Parts Name	Qty	Unit	Technical Data	Serial No (Start)	Serial No (End)	Remarks	Pages
1	34201471000	BOOM, TOP	1						
2	34201472000	BOOM, 5TH	1				FD2918		
	34202332000	BOOM, 5TH	1			FD2919			
3	34201473000	BOOM, 4TH	1				FD1473		
	34201473001	BOOM, 4TH	1			FD1474			
4	34201474000	BOOM, 3RD	1						
5	34201475000	BOOM, 2ND	1						
6	34201479510	BOOM, BASE	1						
7	37001917890	ROPE, WIRE (KOKOKU)	1						
	37001918710	ROPE, WIRE (TESAC)	1						
8	90202202200	NUT	4		M22				
9	80620110160	PIN, SNAP	4						
10	37000138520	PIN	2		16, L=215				
11	37000100140	PIN	1		45				
12	37000543830	PLATE	2						
13	90172110020	BOLT, HEXAGON SOCKET	4		M10X20				
14	90302041001	WASHER, SPRING	N		10				
15	37000300010	SPACER	1		L=48				
16	37000307070	SPACER	6		L=3				
18	37001008410	SHEAVE ASSY	2						
19	37000100100	PIN	1		16, L=245				
20	37000100120	PIN	1		16, L=220				
21	37001917910	ROPE, WIRE (KOKOKU)	2						
	37001918720	ROPE, WIRE (TESAC)	2						
22	90202201400	NUT	4		M14				
24	90101210016	BOLT	59		M10X16				
25	90202201200	NUT	4		M12				
26	37001918730	ROPE, WIRE (TESAC)	2						
	37001917930	ROPE, WIRE (KOKOKU)	2						
27	37001918740	ROPE, WIRE (TESAC)	1						
	37001917950	ROPE, WIRE (KOKOKU)	1						
28	37001917970	ROPE, WIRE (KOKOKU)	1						
29	32200180400	SUPPORT	4						
30	82456101000	NIPPLE, GREASE	2		A-PT1/8				
	82456101000	NIPPLE, GREASE	1		A-PT1/8		FD1922		
31	90101210020	BOLT	36		M10X20		FD2918		
	90101210020	BOLT	28		M10X20	FD2919			
32	34201060500	SUPPORT	2						
33	37002005810	PLATE, SLIDE	4		100X30XT9				
34	37000553400	PLATE	4		T=0.5				
35	37000553410	PLATE	4		T=1.0				
36	34200880300	PLATE	4		T=0.5				
37	37002011350	PLATE, SLIDE	6				FD1432		
	37002015500	PLATE, SLIDE	6		300X30XT12	FD1433			
38	90171106008	BOLT	12		M6X8				
39	90303070801	WASHER, PLAIN	16		8				
40	34201403700	RETAINER	1				FD0533		
	34201403701	RETAINER	1			FD0534			
41	34201470700	GUIDE	1						
42	80601110450	RING, RITAINING	1		S45				
44	37001008790	SHEAVE ASSY	1						
46	90101212020	BOLT	4		M12X20				
47	90302041201	WASHER, SPRING	18		12				
48	34200760500	PLATE	2		T=25				
49	34200760400	SHIM	N		T=2.3				
50	32200150100	PLATE, SLIDE	4		50X30XT37				

GR-120N-1-00111 12T,X,WINCH(W/O FREE-FALL),JIB(PT)

Pos No.	Parts No	Parts Name	Qty	Unit	Technical Data	Serial No (Start)	Serial No (End)	Remarks	Pages
51	37000539070	PLATE	N		T=0.5				
52	37000539080	PLATE	N		T=1.0				
53	34201060610	PLATE	6						
54	90101210030	BOLT	10		M10X30				
55	90171112025	BOLT	12		M12X25				
56	37001002530	SHEAVE ASSY	2						
57	34201060620	PIN	2		40				
58	37000303210	SPACER	4		L=2				
59	34201470500	RETAINER (L)	1				FD0533		
	34201470501	RETAINER	1			FD0534			
60	37000166070	PIN	1						
61	37000305770	SPACER	1		L=20.5				
62	37000300590	SPACER	1		L=30				
63	37001002090	SHEAVE ASSY	2				FD0082		
	37001008910	SHEAVE ASSY	2			FD0083			
64	37000300470	SPACER	1		L=71				
65	34200880100	PLATE	2		T=37				
66	37002004520	PLATE,SLIDE	8		50X30XT9				
67	32200180700	PLATE	12		T=0.5				
68	37002011600	PLATE,SLIDE	2				FD1432		
	37002016780	PLATE,SLIDE	2		250X30XT12	FD1433			
69	34200883800	RETAINER	1				FD0533		
	34200883801	RETAINER	1			FD0534			
70	34200883900	RETAINER	1				FD0533		
	34200883901	RETAINER	1			FD0534			
71	37002011580	PLATE,SLIDE	8				FD1432		
	37002015550	PLATE,SLIDE	8		180X30XT12	FD1433			
72	34200882900	RETAINER	2				FD0533		
	34200882901	RETAINER	2			FD0534			
73	34200882800	RETAINER	2				FD0533		
	34200882801	RETAINER	2			FD0534			
74	34200880020	PLATE	2		T=9				
75	90101210014	BOLT	4		M10X14				
76	34201060900	SPACER	1						
77	34201060650	SUPPORT	2				FD2918		
	34201470600	SUPPORT	2			FD2919			
78	37001007440	SHEAVE ASSY	2						
79	37000302490	SPACER	2		L=2				
80	34201060950	SUPPORT	2						
81	32200183340	PIN	2		20				
82	80601110200	RING,RITAINING	4		S20				
83	32200180710	PLATE,SLIDE	4		50X30XT44				
84	37001005540	SHEAVE ASSY	2						
85	37000165990	PIN	1						
86	80601110400	RING,RITAINING	4		S40				
87	37001007460	SHEAVE ASSY	2						
88	13641156000	SPACER	4		L=4				
89	37000166000	PIN	2		40				
90	82455106000	NIPPLE,GREASE	15		A-M6F FE				
91	90171106012	BOLT	4		M6X12				
92	37000123060	PIN	2						
93	37002001210	PLATE,SLIDE	10		75X25XT15				
94	33220225200	SHIM	20		T=1				
95	33220225210	SHIM	10		T=0.6				
96	90172106014	BOLT,HEXAGON SOCKET	14		M6X14				
98	34201470550	RETAINER (R)	1				FD0533		

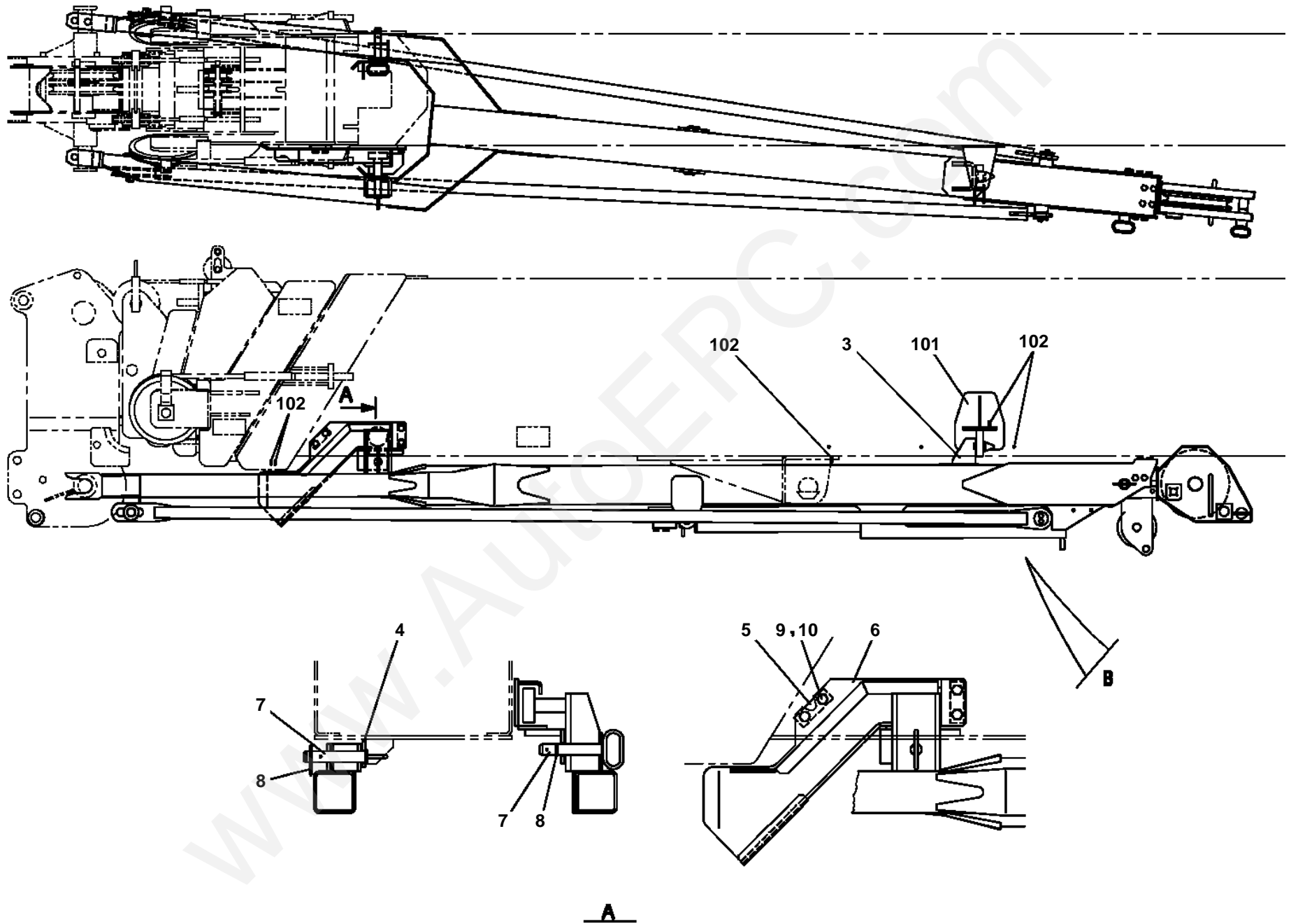
GR-120N-1-00111 12T,X,WINCH(W/O FREE-FALL),JIB(PT)

Pos No.	Parts No	Parts Name	Qty	Unit	Technical Data	Serial No (Start)	Serial No (End)	Remarks	Pages
98	34201470551	RETAINER	1			FD0534			
99	37002008870	PLATE,SLIDE	1		20X110XT5				
100	90172110075	BOLT,HEXAGON SOCKET	8		M10X75				
101	34201067100	SUPPORT ASSY	2						
102	37002011590	PLATE,SLIDE	2				FD1432		
	37002016810	PLATE,SLIDE	2			FD1433	FD1473		
	37002016811	PLATE,SLIDE	2		230X33XT42	FD1474			
103	37000556120	PLATE	N		T=1		FD1473		
	37000588340	PLATE	N		T=1	FD1474			
104	37000556130	PLATE	N		T=0.5		FD1473		
	37000588350	PLATE	N		T=0.5	FD1474			
105	90172106030	BOLT,HEXAGON SOCKET	8		M6X30				
106	90203200600	NUT	8		M6				
107	37001005460	SHEAVE ASSY	5						
108	37000138550	PIN	4		30				
109	37000301260	SPACER	12		L=5.5				
110	37010102840	PIN	2						
111	80602110450	RING,RITAINING	8		R45				
112	37000144440	PIN	2		45				
113	34201067200	ROLLER ASSY	1						
114	37002002740	PLATE,SLIDE	4						
115	33220000120	SHIM	8		T=1				
116	33220000130	SHIM	4		T=0.6				
117	34201470800	RETAINER	1				FD0533		
	34201470801	RETAINER	1			FD0534			
118	34201067300	SUPPORT	1						
119	37002011620	PLATE,SLIDE	2				FD1432		
	37002016800	PLATE,SLIDE	2		315X33XT31	FD1433			
120	34200850060	SHIM	2		T=1				
121	34200850070	SHIM	2		T=0.6				
122	37010102830	PIN	2						
123	37000400640	BEARING,PLAIN	2						
124	34201067400	SUPPORT	1						
125	90202202400	NUT	4		M24				
126	90171112080	BOLT	2		M12X80				
127	42200690120	PLATE	8				FD0533		
128	90171110025	BOLT	8		M10X25				
129	13641155000	PLATE	1						
130	37000166010	PIN	1		60				
131	90101210012	BOLT	4		M10X12				
132	37000166020	PIN	1		35				
133	34201060660	SUPPORT	2						
134	90303071001	WASHER,PLAIN	18		10				
136	90172110014	BOLT,HEXAGON SOCKET	2		M10X14		FD2918		
137	82121800010	PLUG (OTUKA)	8						
138	37000100820	PIN	2		20				
139	90101208012	BOLT	2		M8X12				
140	90302040801	WASHER,SPRING	3		8				
141	37002010440	PLATE,SLIDE	2		50X30XT21				
142	37001008810	SHEAVE ASSY	1						
143	90101210025	BOLT	4		M10X25				
144	82458102000	NIPPLE,GREASE	1		B-PT1/8				
145	56479030030	CONNECTOR	1						
150	82459103000	NIPPLE,GREASE	1		C-PT1/8	FD1923			
151	90180210020	BOLT,BUTTON	8		M10X20	FD2919			
161	37000177960	PIN	1						

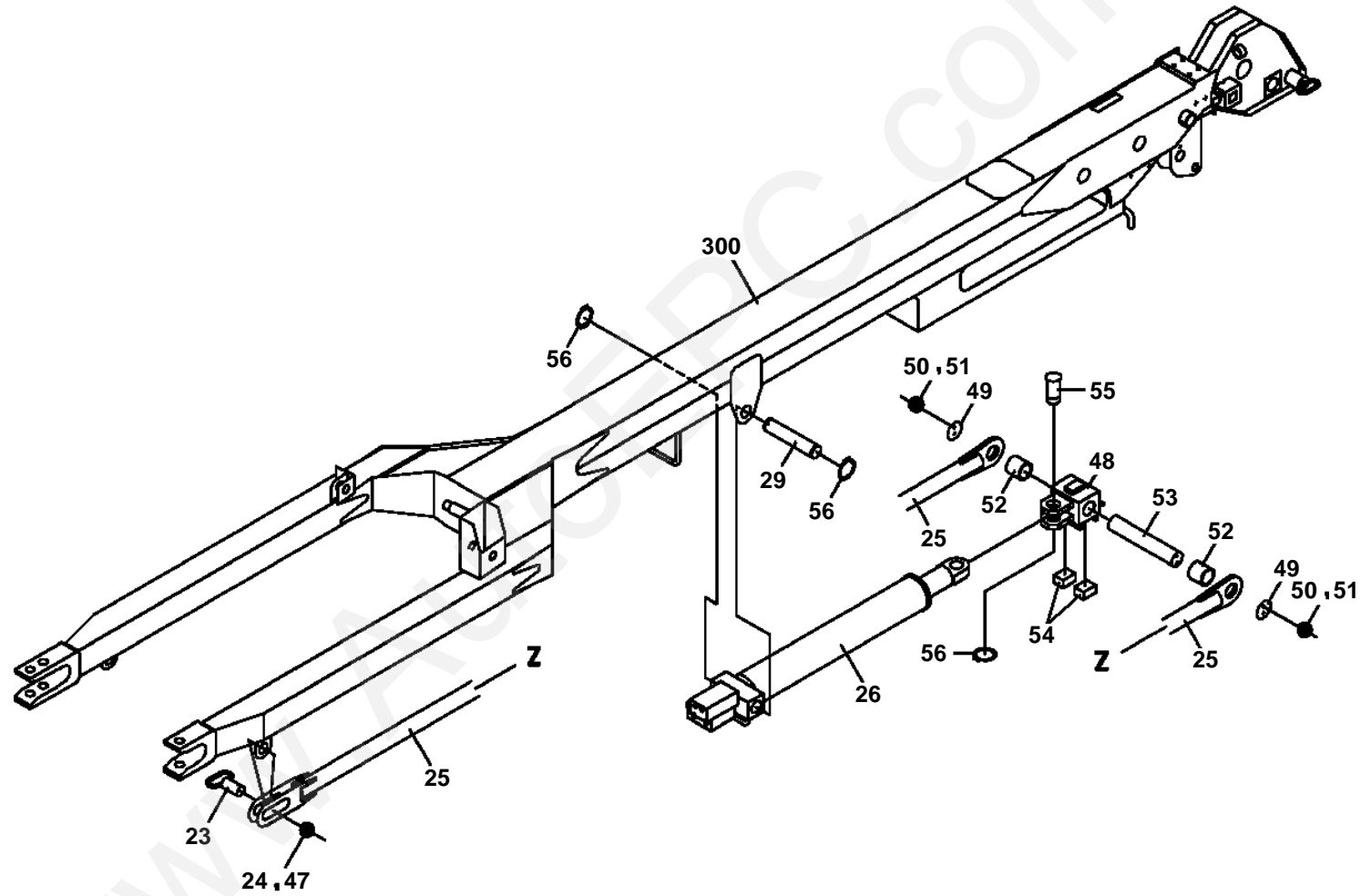
GR-120N-1-00111 12T,X,WINCH(W/O FREE-FALL),JIB(PT)

Pos No.	Parts No	Parts Name	Qty	Unit	Technical Data	Serial No (Start)	Serial No (End)	Remarks	Pages
162	37000500010	PLATE	2						
163	90101510030	BOLT	4		M10X30				
165	37001008430	SHEAVE ASSY	4						
167	90720016400	SCREW,SET	1		M16X40				
168	90202401600	NUT	1		M16				
182	(*****)	MOUNT ASSY (WELDED PARTS/BOOM,2ND)	1						000337
192	(*****)	WELDED PARTS (BOOM,BASE)	1						000082
212	80602110850	RING,RITAINING	8		R85				
213	80515006209	BEARING,BALL	16						
231	32200285100	SUPPORT	1						
232	90202202000	NUT	2		M20				
233	34201470400	SUPPORT	1						
234	37001005480	SHEAVE ASSY	1						
239	37000138420	PIN	2						
241	80601110300	RING,RITAINING	2		S30				
291	80520045008	BEARING,ROLLER	4						
301	80516006004	BEARING,BALL	2						
303	80602110420	RING,RITAINING	2		R42				
312	80602110720	RING,RITAINING	2		R72				
313	80515006207	BEARING,BALL	4						
322	80576000208	BEARING,BALL	2						
331	34201067150	SUPPORT	2						
332	37002004380	PLATE,SLIDE	6						
333	80182306010	SCREW,MACHINE	6		M6X10				
342	80612110620	RING,RITAINING	6		AR62				
343	80576000206	BEARING,BALL	6						
351	32200180110	ROLLER	1						
352	34201067210	SUPPORT	1						
353	37000138640	PIN	1						
354	90101208010	BOLT	1		M8X10				
362	(*****)	MOUNT ASSY (WELDED PARTS/BOOM,HEAD)	1						000336

GR-120N-1-00111 12T,X,WINCH(W/O FREE-FALL),JIB(Power Tilt)
PG1040261-02 JIB (POWER TILT)



GR-120N-1-00111 12T,X,WINCH(W/O FREE-FALL),JIB(Power Tilt)
PG1040261-02 JIB (POWER TILT)



B

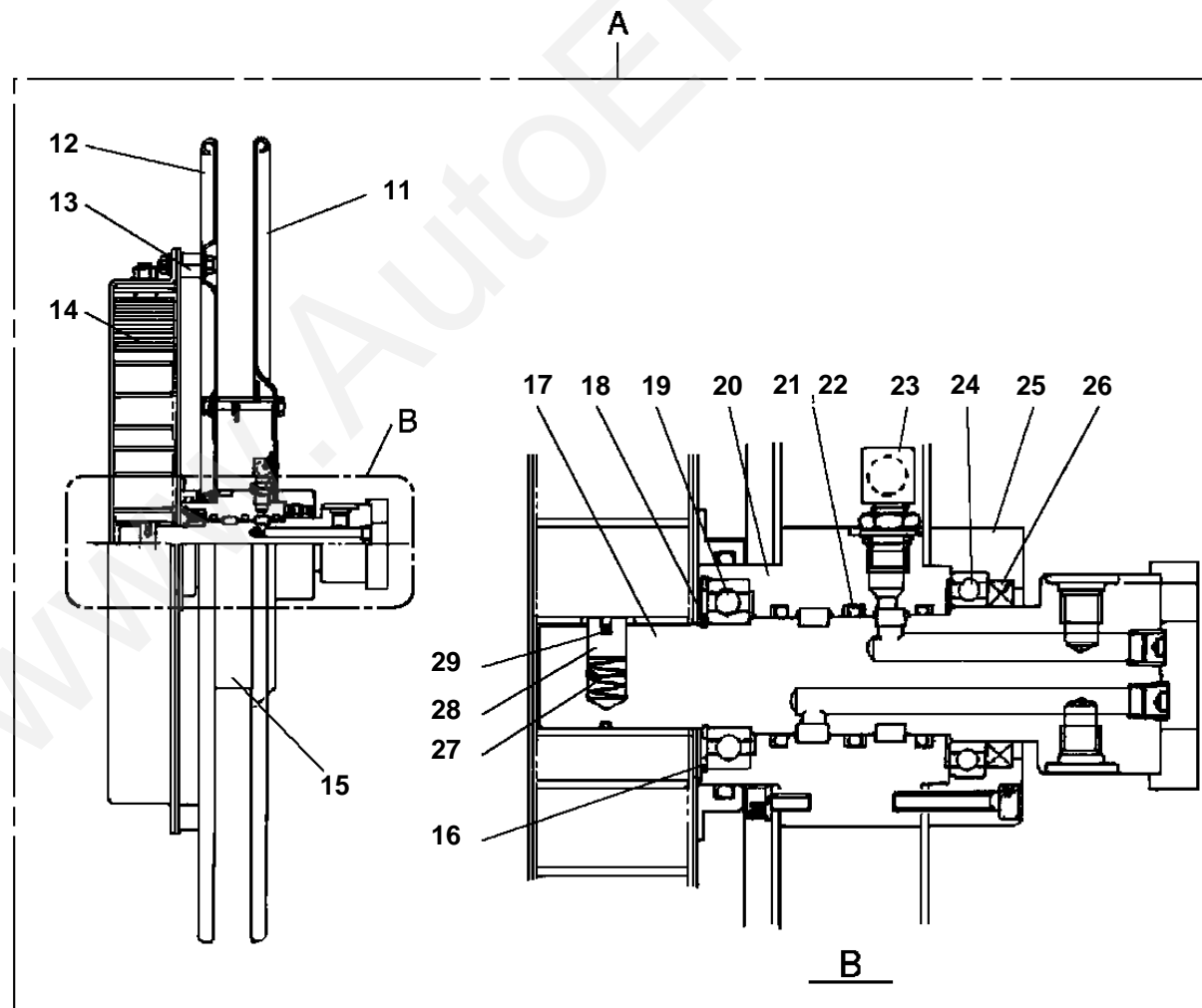
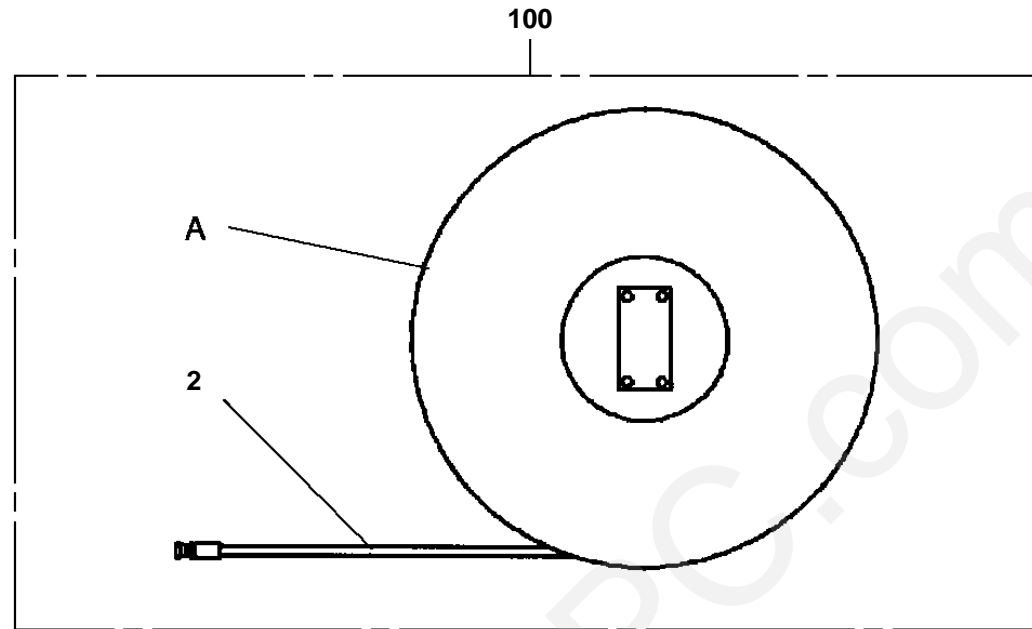
GR-120N-1-00111 12T,X,WINCH(W/O FREE-FALL),JIB(PT)

Pos No.	Parts No	Parts Name	Qty	Unit	Technical Data	Serial No (Start)	Serial No (End)	Remarks	Pages
3	34221430200	SUPPORT (IP)	1						
4	34221430300	SUPPORT	1						
5	37000517700	PLATE	2				FD0740		
	37000501550	PLATE	2			FD0741			
6	34221430100	SUPPORT	1						
	34221430500	SUPPORT (IP)	1						
7	37000172270	PIN	2						
8	37000201090	PIN,SNAP	2		20				
9	90101210016	BOLT	4		M10X16				
10	90302041001	WASHER,SPRING	4		10				
21	34221499510	JIB,1	1						
22	34221499520	JIB,2	1						
23	37000179610	PIN	2						
24	37000201090	PIN,SNAP	2		20				
25	34221493500	ROD	2						
26	36053000000	CYLINDER,JIB (TILT)	1						000074
27	37001100990	ROLLER ASSY	1						
28	80601110200	RING,RITAINING	1		S20				
29	37000173770	PIN	1						
30	90101510014	BOLT	3		M10X14				
31	90302041001	WASHER,SPRING	11		10				
32	37000178550	PIN	1						
33	37000200100	PIN,SNAP	1						
34	37002005810	PLATE,SLIDE	1		100X30XT9				
35	37002004520	PLATE,SLIDE	4		50X30XT9				
36	37000539080	PLATE	6		T=1.0				
37	37000539070	PLATE	2		T=0.5				
38	90101510022	BOLT	4		M10X22				
39	37000575580	PLATE	2						
40	90101510030	BOLT	4		M10X30				
41	37001008410	SHEAVE ASSY	1						
42	80601110450	RING,RITAINING	2		S45				
43	37000178540	PIN	1						
44	37000307070	SPACER	2		L=3				
45	37000303150	SPACER	2		L=5				
46	37000168840	PIN	1						
47	90303072701	WASHER,PLAIN	2		27		FD0966		
	90303132701	WASHER,PLAIN	2			FD0967			
48	34221492300	SUPPORT	1						
49	37000576350	PLATE	2						
50	90101508018	BOLT	4		M8X18				
51	90302040801	WASHER,SPRING	4		8				
52	37000311440	SPACER	2						
53	37000179450	PIN	1						
54	37002011860	PLATE,SLIDE	2						
55	37000179460	PIN	1						
56	80601110300	RING,RITAINING	3		S30				
57	37001008830	SHEAVE ASSY	1						
58	37000138040	PIN	1						
59	80620210160	PIN,SNAP	1						
71	32360000121	SUPPORT	1						
72	37000302290	SPACER	2						
73	34372240100	HARNESS	1		L=3400				
74	82118722020	CONNECTOR	2						
75	82100000208	CLAMP	1		WT4				
76	90928040061	SCREW,TAPPING	1		M4X6				

GR-120N-1-00111 12T,X,WINCH(W/O FREE-FALL),JIB(PT)

Pos No.	Parts No	Parts Name	Qty	Unit	Technical Data	Serial No (Start)	Serial No (End)	Remarks	Pages
77	82100002505	CONNECTOR (CN-6)	2						
78	82100002506	CONNECTOR	2						
79	14148375000	GROMMET	2						
80	82100002002	CLAMP	7		WR6				
81	90155306015	BOLT,WELD	11		M6X15				
82	90280200600	NUT,FLANGE	11		M6				
83	80172303014	SCREW,MACHINE	8		M3X14				
84	90302040301	WASHER,SPRING	8		3				
85	90303070301	WASHER,PLAIN	8		3				
86	82100002628	CAP	2						
87	82100002033	CLAMP	4						
101	34221431100	SUPPORT	1						
102	90190000008	BOLT,STUD	12		M6X20	FD0270			
116	37000128280	PIN ASSY	1						
122	80602110470	RING,RITAINING	1		R47				
123	80516506204	BEARING,BALL	1						
132	80602110850	RING,RITAINING	1		R85				
133	80515006209	BEARING,BALL	2						
142	80515006205	BEARING,BALL	2						
143	80602110520	RING,RITAINING	1		R52				
154	82116710206	CONNECTOR	1						
155	82100002627	CAP	1						
300	34221498010	JIB ASSY	1						

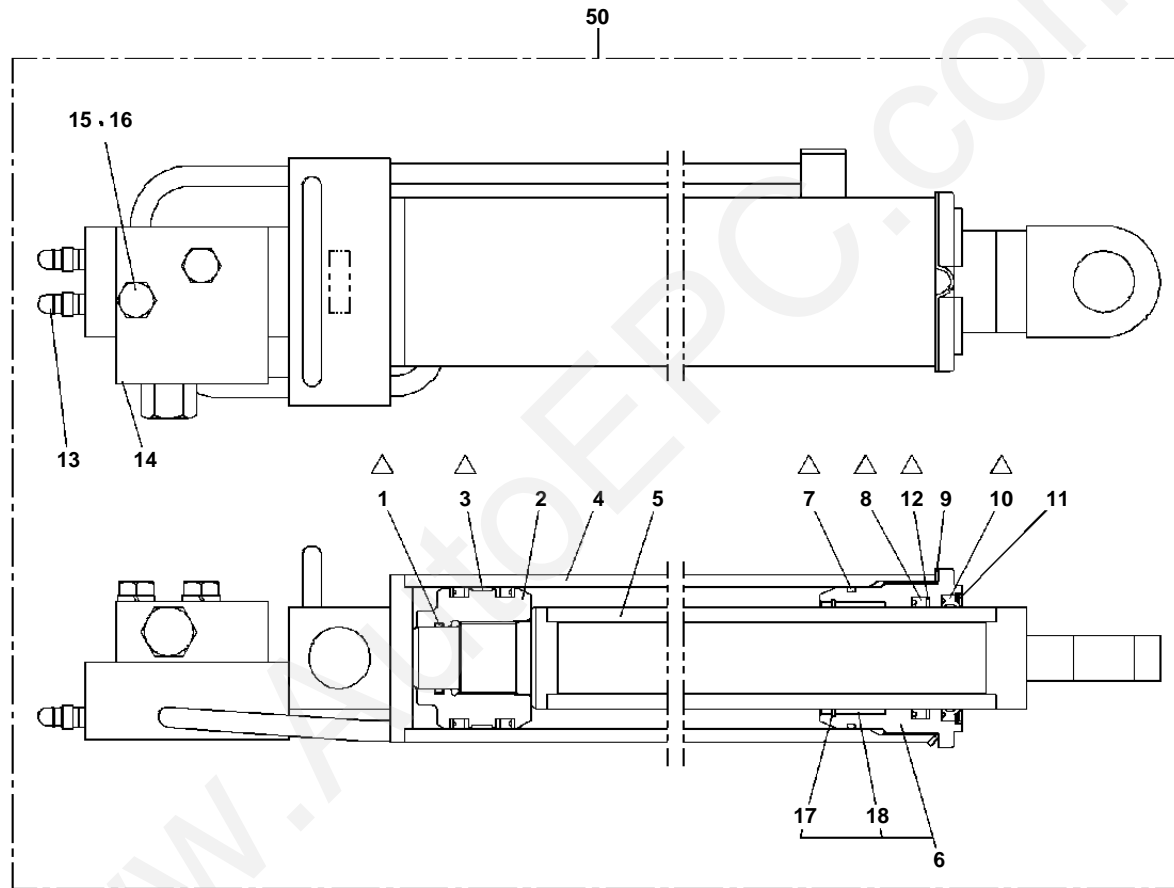
GR-120N-1-00111 12T,X,WINCH(W/O FREE-FALL),JIB(P
PG1070145-00 REEL,HOSE (POWER TILT)



GR-120N-1-00111 12T,X,WINCH(W/O FREE-FALL),JIB(PT)

Pos No.	Parts No	Parts Name	Qty	Unit	Technical Data	Serial No (Start)	Serial No (End)	Remarks	Pages
2	37002471430	HOSE	1		L=22000				
11	36710895010	DISK	1						
12	36710895020	DISK	1						
13	36710895030	SPACER	4						
14	36710895040	SPRING ASSY	1						
15	36710895050	DRUM	1						
16	80602110620	RING,RITAINING	1		R62				
17	36710895060	SHAFT ASSY	1						
18	80601110350	RING,RITAINING	1		S35				
19	36710265010	BEARING,BALL	1						
20	36710895070	HOUSING	1						
21	91002804100	O-RING	3		1B P41				
22	91410004000	RING,BACKUP	4		P40				
23	36710895080	FITTING,ELBOW	2						
24	80500006909	BEARING,BALL	1						
25	36710895090	HOUSING	1						
26	36710085110	SEAL,OIL	1						
27	36671105090	SPRING	1						
28	36671105070	PIN	1						
29	36671105080	RING,RETAINING	1						
100	34344332100	REEL,HOSE (POWER TILT)	1						

GR-120N-1-00111 12T,X,WINCH(W/O FREE-FALL),JIB(P.T)
PG1080058-01 CYLINDER,JIB (TILT)

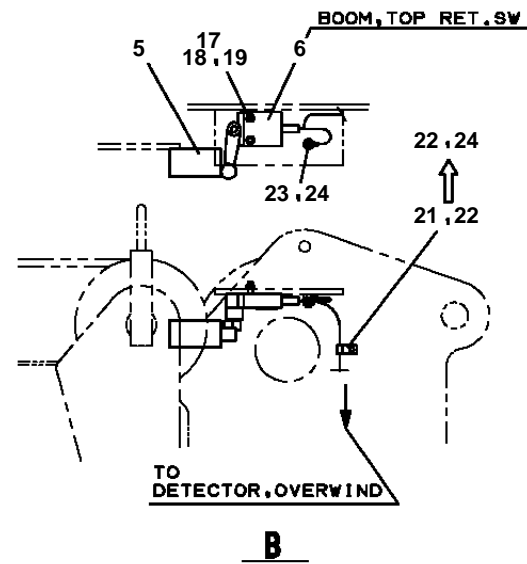
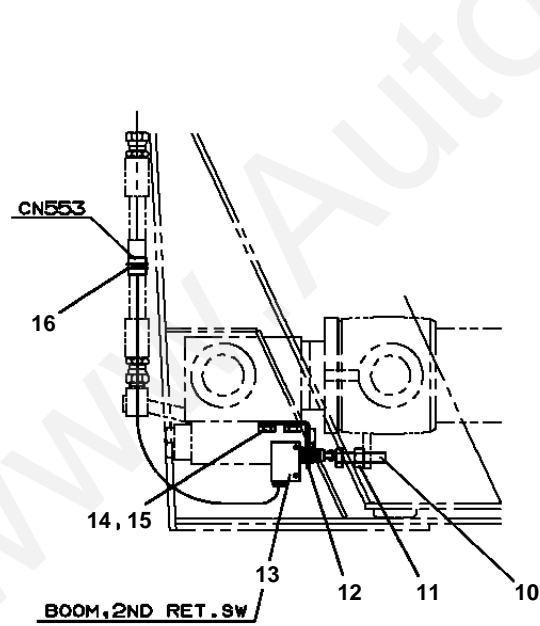
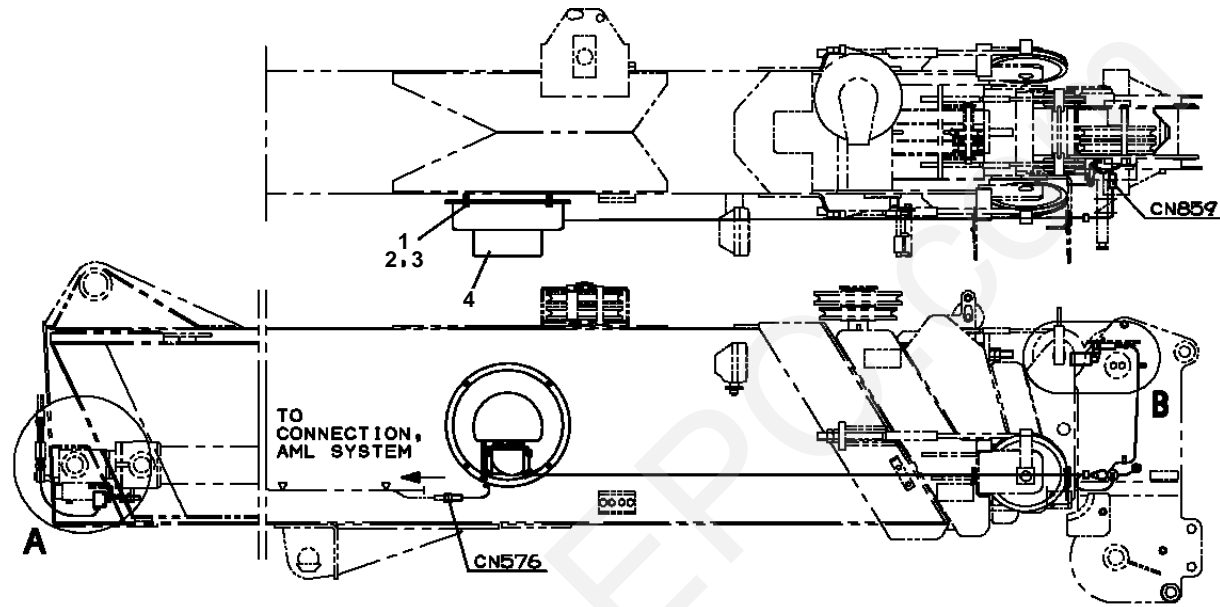


△:PACKING SET KEY NO. 30 (KEY NO.1,3,7,8,10,12)

GR-120N-1-00111 12T,X,WINCH(W/O FREE-FALL),JIB(PT)

Pos No.	Parts No	Parts Name	Qty	Unit	Technical Data	Serial No (Start)	Serial No (End)	Remarks	Pages
1	91002903000	O-RING	1		1B G30				
2	36025093000	PISTON	1						
3	91350207000	BEARING,PLAIN (WITH PACKINGX2)	1						
4	36053001000	CYLINDER	1						
5	36053002000	ROD	1						
6	36053009510	COVER,ROD	1						
7	91002906500	O-RING	1		1B G65				
8	91694005000	PACKING	1						
9	36020120100	PLATE	1						
10	91660005000	SEAL,DUST	1						
11	80622000500	RING,RITAINING	1		SP50				
12	91410205001	RING,BACKUP	1						
13	59457138000	PLUG ASSY	2						
14	36603540000	VALVE,COUNTERBALANCE	1						000134
15	90101510045	BOLT	2		M10X45				
16	90302041001	WASHER,SPRING	2		10				
17	80612110570	RING,RITAINING	1		AR57				
18	80801005025	BEARING,PLAIN	1						
30	36053009900	PACKING SET	1						
50	36053000000	CYLINDER,JIB (TILT)	1						

GR-120N-1-00111 12T,X,WINCH(W/O FREE-FALL),JIB(P.T)
PG1120159-02 DETECTOR SYSTEM,BOOM LENGTH



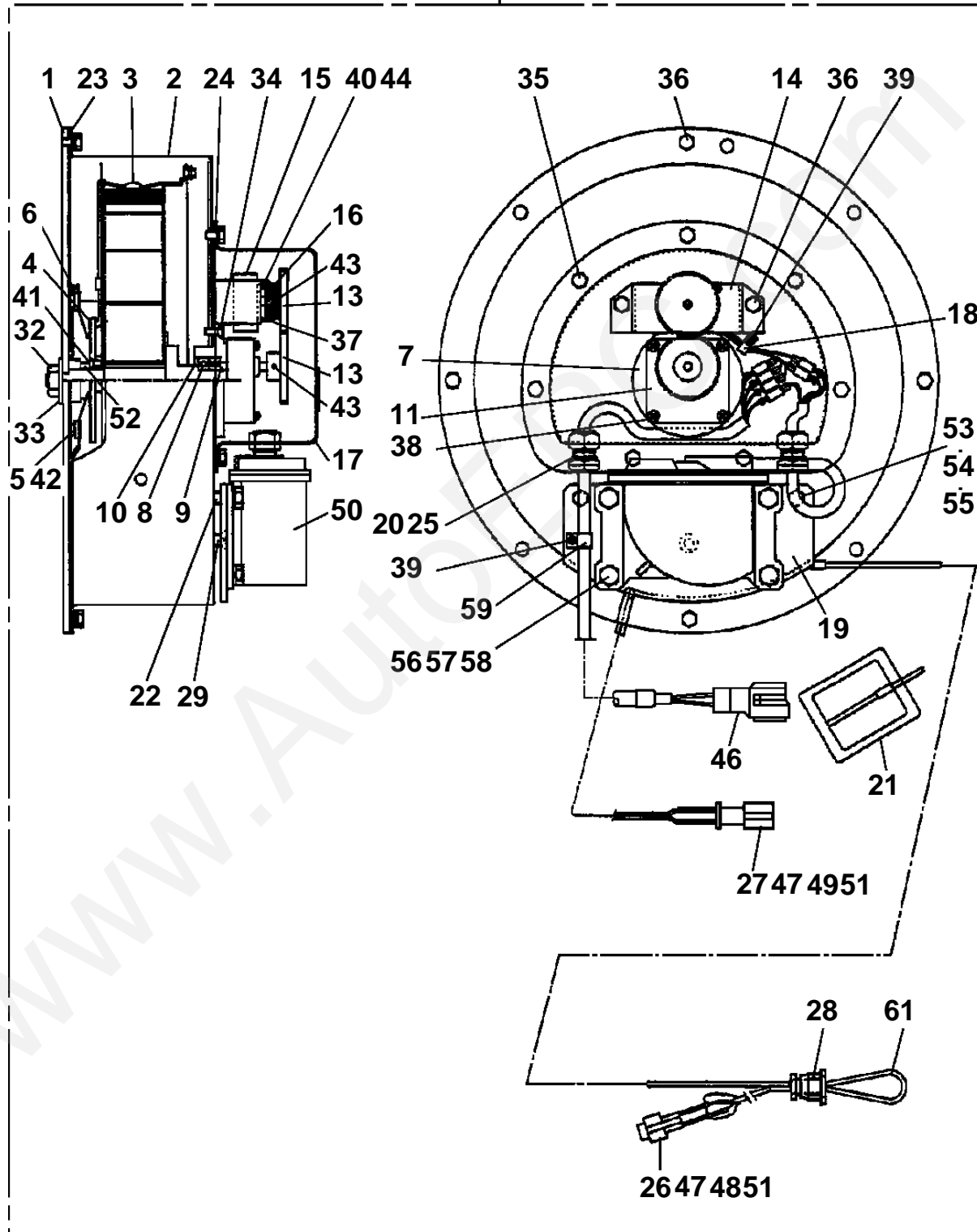
A

GR-120N-1-00111 12T,X,WINCH(W/O FREE-FALL),JIB(PT)

Pos No.	Parts No	Parts Name	Qty	Unit	Technical Data	Serial No (Start)	Serial No (End)	Remarks	Pages
1	90131508020	BOLT,HEXAGON SOCKET	4		M8X20				
2	90302040801	WASHER,SPRING	4		8				
3	90303070801	WASHER,PLAIN	4		8				
4	36131810000	DETECTOR,BOOM LENGTH	1				FD0740		000077
	36132260000	DETECTOR,BOOM LENGTH	1			FD0741	FD2852		000076
	36132260001	DETECTOR ASSY,LENGTH (BOOM)	1			FD2853			000366
5	33430563010	PLATE	1						
6	34362312100	HARNESS (WITH SWITCH,LIMIT)	1				FD0457		
	34362312101	HARNESS (WITH SWITCH,LIMIT)	1			FD0458	FD0564		
	34362312102	HARNESS (WITH SWITCH,LIMIT)	1			FD0565			
10	90102212050	BOLT	1		M12X50				
11	90201201200	NUT	1		M12				
12	32370230020	SUPPORT	1						
13	34361562200	SWITCH ASSY (WITH CONNECTOR)	1				FD1865		
	34362452100	SWITCH ASSY (WITH CONNECTOR)	1			FD1866			
14	90101210016	BOLT	2		M10X16				
15	90302041001	WASHER,SPRING	2		10				
16	91810130240	FASTENER	1						
17	90131505025	BOLT,HEXAGON SOCKET	2		M5X25				
18	90201200500	NUT	2		M5				
19	90302040501	WASHER,SPRING	2		5				
21	90441340080	SCREW,TAPPING	1		M4X8		FD0457		
	90280200800	NUT,FLANGE	1		M8	FD0458	FD1440		
22	82100000207	CLAMP	1				FD0457		
	82100002002	CLAMP	1		WR6	FD0458			
23	90303290600	WASHER,PLAIN	2		6	FD1441			
24	90280200600	NUT,FLANGE	2		M6	FD1441			

GR-120N-1-00111 12T,X,WINCH(W/O FREE-FALL),JIB(PT)
PG1120214-00 DETECTOR,BOOM LENGTH

100



GR-120N-1-00111 12T,X,WINCH(W/O FREE-FALL),JIB(PT)

Pos No.	Parts No	Parts Name	Qty	Unit	Technical Data	Serial No (Start)	Serial No (End)	Remarks	Pages
1	36131235010	PLATE (BASE)	1						
2	36131815010	COVER	1						
3	36130045032	DRUM ASSY	1						
4	36130515020	RING ASSY (CONTACT)	1						
5	33370025170	CONTACTOR ASSY (70)	1						
6	32360005060	CONTACTOR ASSY	1						
7	36130015041	CASE (BEARING)	1						
8	80515006002	BEARING,BALL	2						
9	80601110150	RING,RITAINING	1		15				
10	80602110320	RING,RITAINING	1		R32				
11	36131495030	REDUCER	1						
13	36130045050	GEAR	2						
14	36130015061	BRACKET	1						
15	36130945010	POTENTIOMETER	1						
16	32360005130	SPRING	1						
17	36131455040	COVER	1						
18	32360005150	CLIP (NYLON)	1						
19	36131455070	SUPPORT	1						
20	36130235100	CLAMP (CORD)	2						
21	36130045100	GUIDE (CORD)	1						
22	36131455080	COLLAR	3						
23	36130045110	PACKING	1						
24	36131455050	PACKING	1						
25	32360005220	PACKING	2						
26	82114102020	CONNECTOR	1						
27	82114101020	CONNECTOR (2P,MALE)	1						
28	36131935020	LOCK (CORD)	1						
29	80185306014	SCREW,MACHINE	1		M6X14				
32	90201201200	NUT	1		M12				
33	36130335030	WASHER	1						
34	80175305012	SCREW,MACHINE	4		M5X12				
35	99163006012	BOLT	7		M6X12				
36	99163006010	BOLT	6		M6X10				
37	80192433006	SCREW,MACHINE	3		M3X6				
38	80192434025	SCREW,MACHINE	4		M4X25				
39	80192434016	SCREW,MACHINE	2		M4X16				
40	80192434010	SCREW,MACHINE	1		M4X10				
41	80175304006	SCREW,MACHINE	3		M4X6				
42	80175304008	SCREW,MACHINE	4		M4X8				
43	90710004050	SCREW,SET	3		M4X5				
44	90201200400	NUT	1		M4				
46	36132265010	CABLE ASSY (WITH CONNECTOR)	1						
47	82121102020	HOLDER	2						
48	82111101510	TERMINAL	2						
49	82111101010	TERMINAL	2						
50	36131455060	DETECTOR,ANGLE	1						
51	82121101085	PLUG (AVS0.85)	4						
52	36131135060	COLLAR	1						
53	90101206016	BOLT	2		M6X16				
54	90302040601	WASHER,SPRING	2		6				
55	90303070601	WASHER,PLAIN	2		6				
56	90101208016	BOLT	4		M8X16				
57	90303070801	WASHER,PLAIN	4		8				
58	90302040801	WASHER,SPRING	4		8				
59	36130045090	CLIP (NYLON)	1						
61	36131935100	CORD (2-LINE)	22	M					

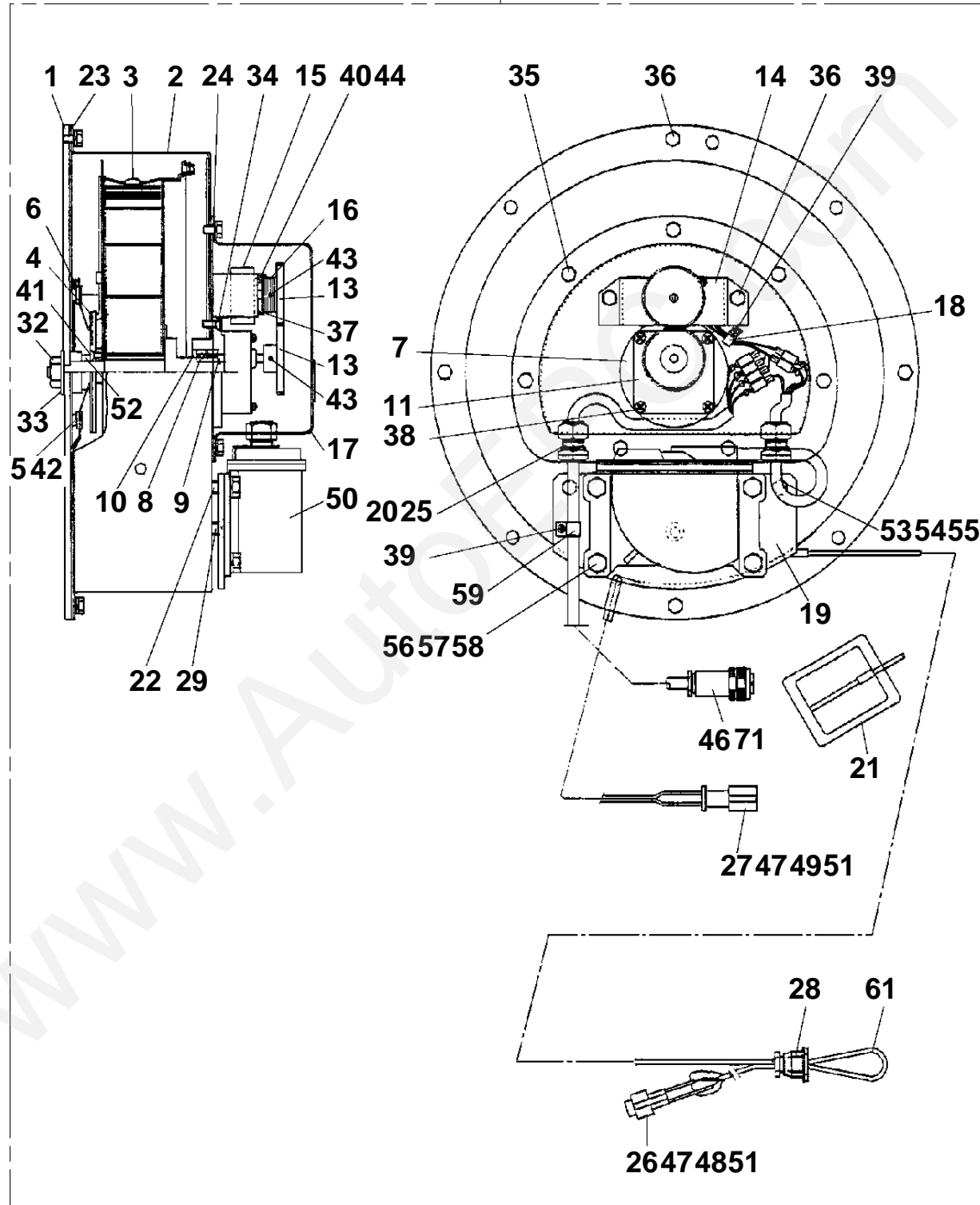
GR-120N-1-00111 12T,X,WINCH(W/O FREE-FALL),JIB(PT)

Pos No.	Parts No	Parts Name	Qty	Unit	Technical Data	Serial No (Start)	Serial No (End)	Remarks	Pages
100	36132260000	DETECTOR,BOOM LENGTH	1						

www.AutoEPC.com

GR-120N-1-00111 12T,X,WINCH(W/O FREE-FALL),JIB(P
PG1130138-00 DETECTOR,BOOM LENGTH

100



GR-120N-1-00111 12T,X,WINCH(W/O FREE-FALL),JIB(PT)

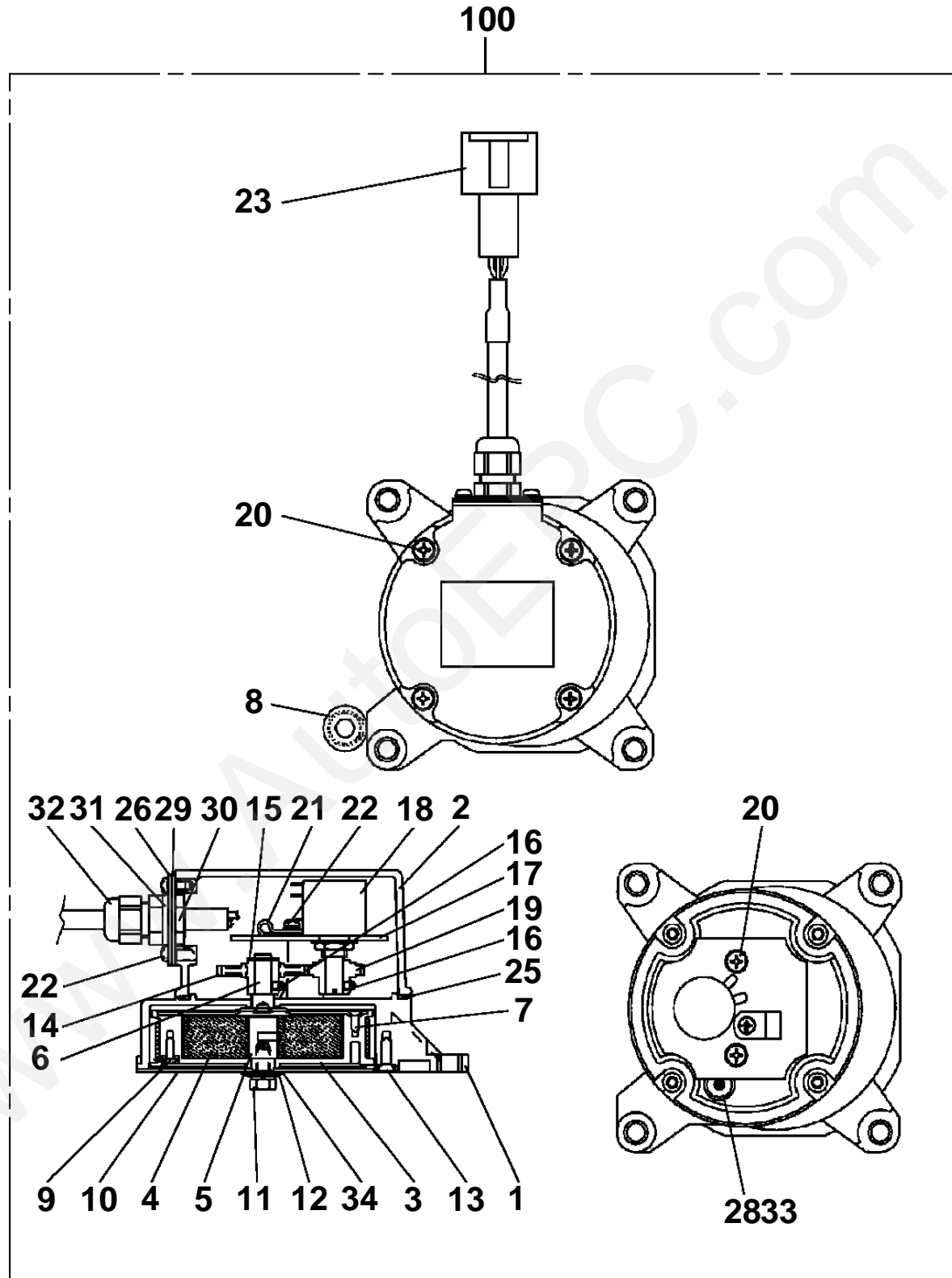
Pos No.	Parts No	Parts Name	Qty	Unit	Technical Data	Serial No (Start)	Serial No (End)	Remarks	Pages
1	36131235010	PLATE (BASE)	1						
2	36131815010	COVER	1						
3	36130045032	DRUM ASSY	1						
4	36130515020	RING ASSY (CONTACT)	1						
5	33370025170	CONTACTOR ASSY (70)	1						
6	32360005060	CONTACTOR ASSY	1						
7	36130015041	CASE (BEARING)	1						
8	80515006002	BEARING,BALL	2						
9	80601110150	RING,RITAINING	1		15				
10	80602110320	RING,RITAINING	1		R32				
11	36131495030	REDUCER	1						
13	36130045050	GEAR	2						
14	36130015061	BRACKET	1						
15	36130945010	POTENTIOMETER	1						
16	32360005130	SPRING	1						
17	36131455040	COVER	1						
18	32360005150	CLIP (NYLON)	1						
19	36131455070	SUPPORT	1						
20	36131215050	CLAMP (CORD)	2						
21	36130045100	GUIDE (CORD)	1						
22	36131455080	COLLAR	3						
23	36130045110	PACKING	1						
24	36131455050	PACKING	1						
25	32360005220	PACKING	2						
26	82114102020	CONNECTOR	1						
27	82114101020	CONNECTOR (2P,MALE)	1						
28	33371297520	LOCK (CORD)	1						
29	80185306014	SCREW,MACHINE	1		M6X14				
32	90201201200	NUT	1		M12				
33	36130335030	WASHER	1						
34	80175305012	SCREW,MACHINE	4		M5X12				
35	99163006012	BOLT	7		M6X12				
36	99163006010	BOLT	6		M6X10				
37	80192433006	SCREW,MACHINE	3		M3X6				
38	80192434025	SCREW,MACHINE	4		M4X25				
39	80192434016	SCREW,MACHINE	2		M4X16				
40	80192434010	SCREW,MACHINE	1		M4X10				
41	80175304006	SCREW,MACHINE	3		M4X6				
42	80175304008	SCREW,MACHINE	4		M4X8				
43	90710004050	SCREW,SET	3		M4X5				
44	90201200400	NUT	1		M4				
46	36130945020	CABLE ASSY (WITH CONNECTOR)	1		L=400				
47	36131425050	HOLDER	2						
48	82111101510	TERMINAL	2						
49	82111101010	TERMINAL	2						
50	36131455060	DETECTOR,ANGLE	1						
51	36131425060	SEAL (RUBBER)	4						
52	36131135060	COLLAR	1						
53	90101206016	BOLT	2		M6X16				
54	90302040601	WASHER,SPRING	2		6				
55	90303070601	WASHER,PLAIN	2		6				
56	90101208016	BOLT	4		M8X16				
57	90303070801	WASHER,PLAIN	4		8				
58	90302040801	WASHER,SPRING	4		8				
59	36130045090	CLIP (NYLON)	1						
61	36131935100	CORD (2-LINE)	23	M					

GR-120N-1-00111 12T,X,WINCH(W/O FREE-FALL),JIB(PT)

Pos No.	Parts No	Parts Name	Qty	Unit	Technical Data	Serial No (Start)	Serial No (End)	Remarks	Pages
71	82100001155	CONNECTOR	1						
100	36131810000	DETECTOR,BOOM LENGTH	1						

www.AutoEPC.com

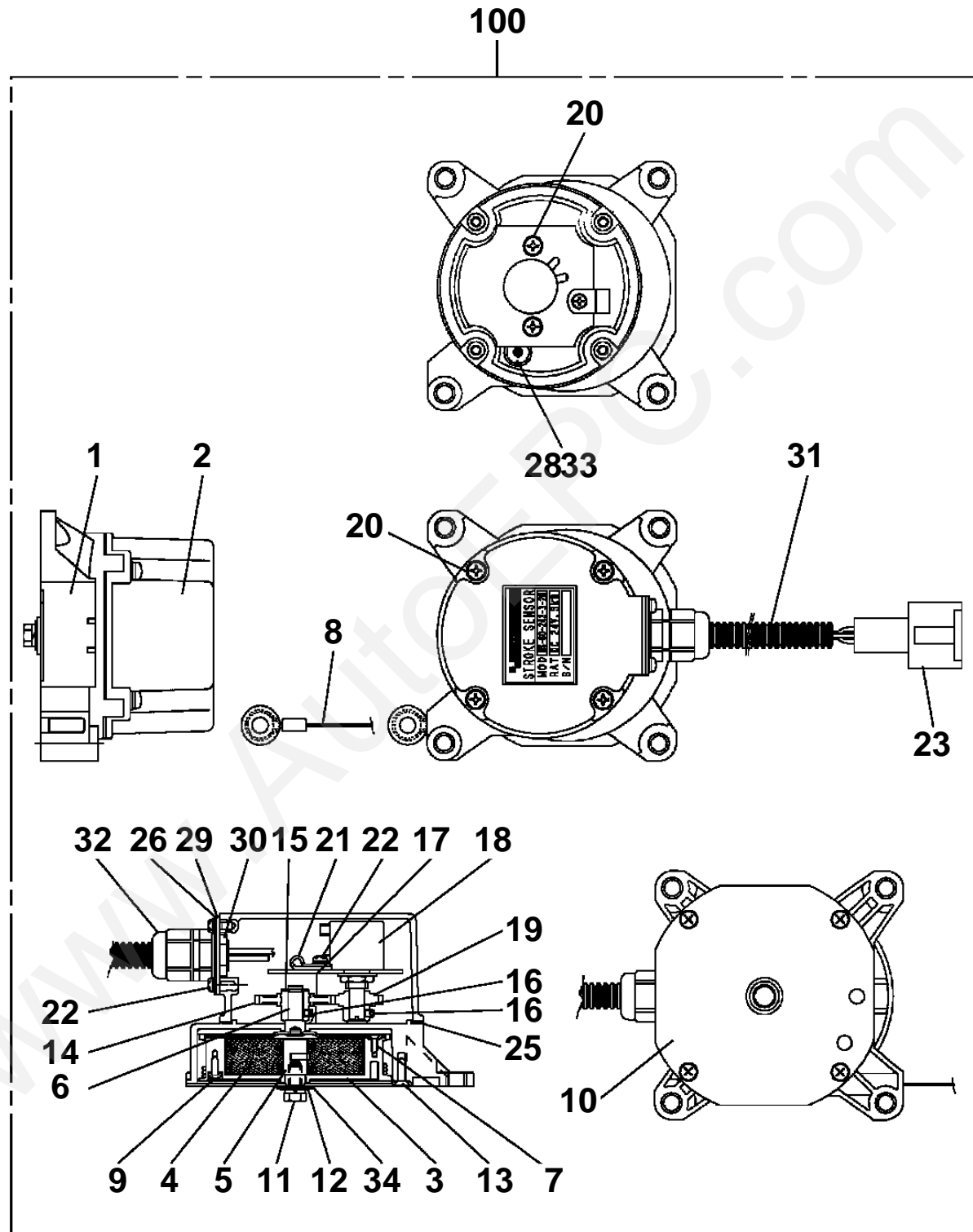
GR-120N-1-00111 12T,X,WINCH(W/O FREE-FALL),JIB(P.T)
PG1190011-02 DETECTOR,JIB LENGTH (POWER TILT)



GR-120N-1-00111 12T,X,WINCH(W/O FREE-FALL),JIB(PT)

Pos No.	Parts No	Parts Name	Qty	Unit	Technical Data	Serial No (Start)	Serial No (End)	Remarks	Pages
1	36131485010	CASE	1						
2	36131485020	COVER	1						
3	36131485030	DRUM	1						
4	36131645060	SPRING	1						
5	36131485050	SHAFT	1						
6	36131485060	DRUM,SHAFT	1						
7	36131485230	SCREW,TAPPING	4		M2.6X8				
8	36131915010	WIRE ASSY	1						
9	36131485240	SCREW,TAPPING	1		M2.6X8				
10	36131485080	COVER (REAR)	1						
11	36131485250	BOLT (WITH WASHER)	1		M5X8				
12	36131485260	WASHER,PLAIN	1		M5				
13	36131485270	SCREW,TAPPING	4		M3.5X12				
14	36131645020	GEAR,DRUM	1						
15	36131485160	RING,RETAINING	1						
16	36131485280	SCREW,MACHINE	4		M3X4				
17	36131915020	PLATE	1						
18	36131915030	POTENTIOMETER	1						
19	36131915040	GEAR,POTENTIO	1						
20	36131485170	SCREW,MACHINE (WITH W,SW)	6		M4X10				
21	36131485300	STOPPER,WIRE	1						
22	36131485180	SCREW,MACHINE	5		M3X8				
23	82114101030	CONNECTOR (3P,MALE)	1						
25	36131485120	PACKING	1						
26	36131485130	RETAINER (PACKING)	1						
28	36131485310	PACKING	1						
29	36131485140	PACKING	1						
30	36131485200	NUT (SM7)	1						
31	36131485210	GASKET (GP7)	1						
32	36131485220	CONNECTOR	1						
33	36131485190	WASHER,PLAIN	1		M3.5				
34	36131485150	WASHER,PLAIN	1						
100	36131910000	DETECTOR,JIB LENGTH (POWER TILT)	1						

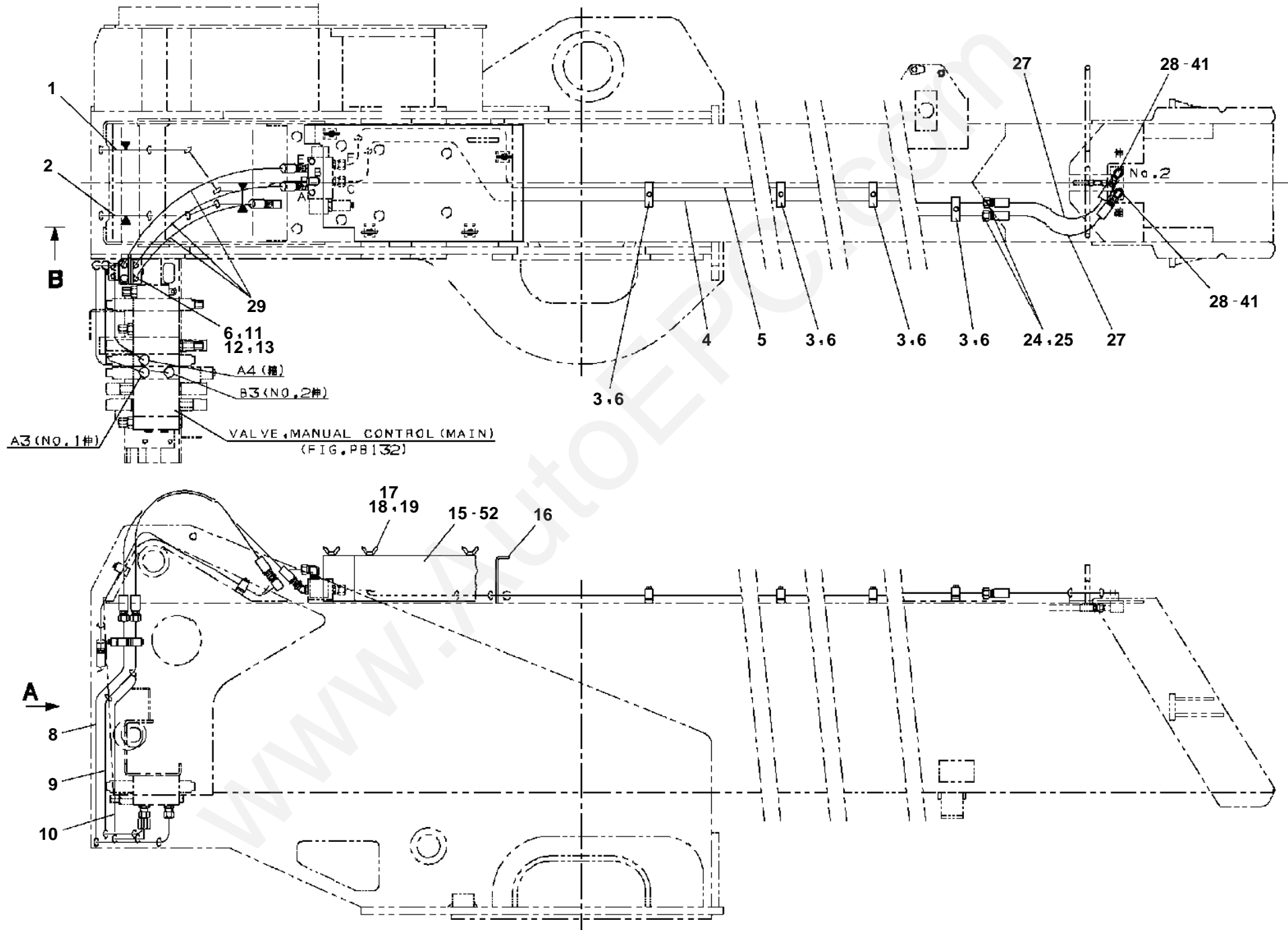
GR-120N-1-00111 12T,X,WINCH(W/O FREE-FALL),JIB(P
PG1190014-00 DETECTOR,JIB LENGTH



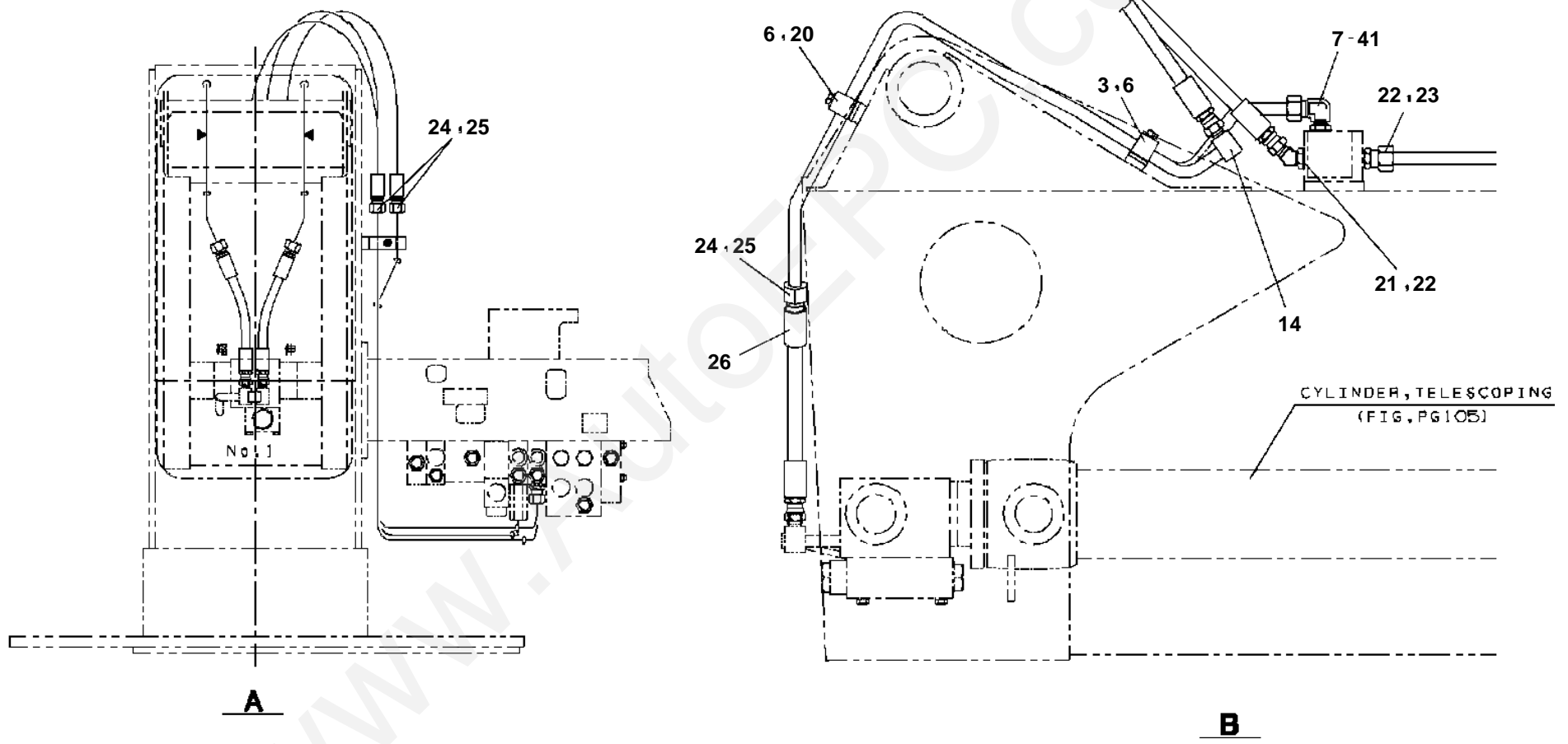
GR-120N-1-00111 12T,X,WINCH(W/O FREE-FALL),JIB(PT)

Pos No.	Parts No	Parts Name	Qty	Unit	Technical Data	Serial No (Start)	Serial No (End)	Remarks	Pages
1	36131485010	CASE	1						
2	36131485020	COVER	1						
3	36131485030	DRUM	1						
4	36131645060	SPRING	1						
5	36131485050	SHAFT	1						
6	36131485060	DRUM,SHAFT	1						
7	36131485230	SCREW,TAPPING	4		M2.6X8				
8	36131915010	WIRE ASSY	1						
9	36131485240	SCREW,TAPPING	1		M2.6X8				
10	36131485080	COVER (REAR)	1						
11	36131485250	BOLT (WITH WASHER)	1		M5X8				
12	36131485260	WASHER,PLAIN	1		M5				
13	36131485270	SCREW,TAPPING	4		M3.5X12				
14	36131645020	GEAR,DRUM	1						
15	36131485160	RING,RETAINING	1						
16	36131485280	SCREW,MACHINE	4		M3X4				
17	36131915020	PLATE	1						
18	36132355010	POTENTIOMETER	1						
19	36131915040	GEAR,POTENTIO	1						
20	36131485170	SCREW,MACHINE (WITH W,SW)	6		M4X10				
21	36132355020	STOPPER,WIRE	1						
22	36131485180	SCREW,MACHINE	5		M3X8				
23	82114101030	CONNECTOR (3P,MALE)	1						
25	36131485120	PACKING	1						
26	36131485130	RETAINER (PACKING)	1						
28	36131485310	PACKING	1						
29	36131485140	PACKING	1						
30	36131485200	NUT (SM7)	1						
31	36132355030	TUBE,CORRUGATE	1						
32	36132355040	GLAND	1						
33	36131485190	WASHER,PLAIN	1		M3.5				
34	36131485150	WASHER,PLAIN	1						
100	36132350000	DETECTOR,JIB LENGTH	1						

GR-120N-1-00111 12T,X,WINCH(W/O FREE-FALL),JIB(P.T)
PG1200162-00 PIPING,TELESCOPING



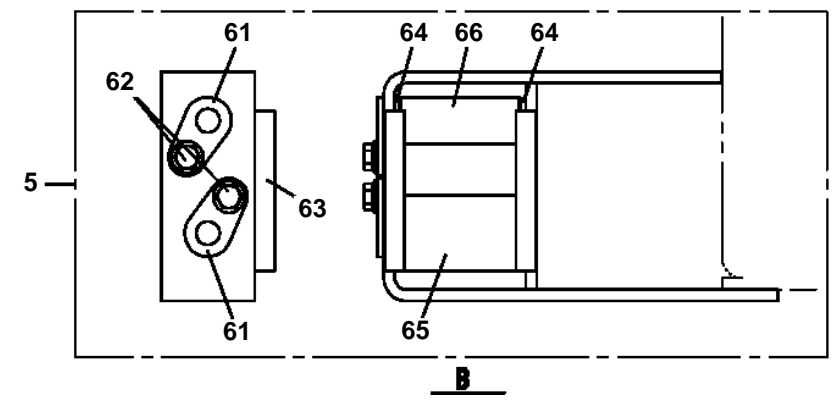
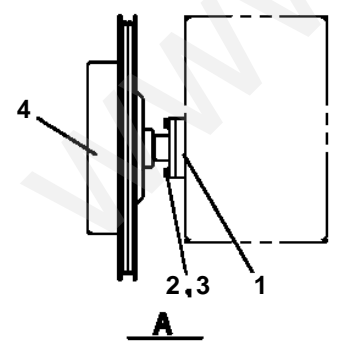
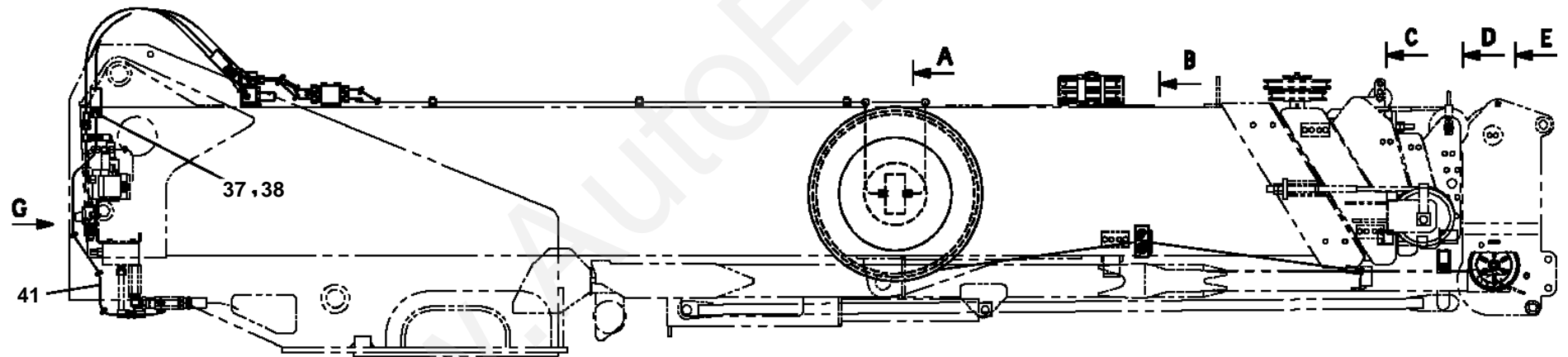
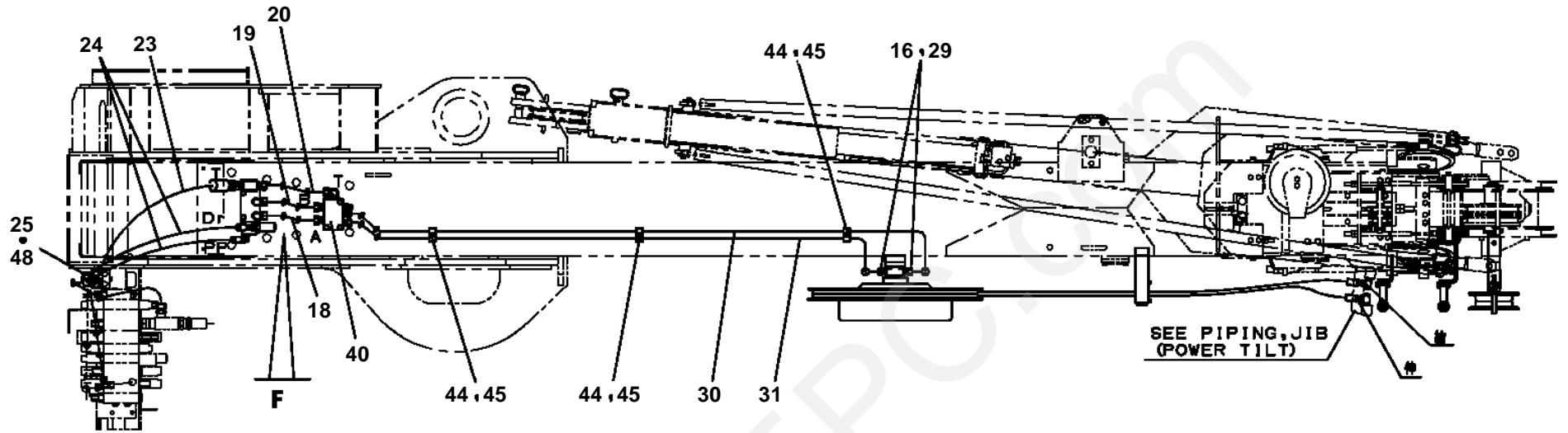
GR-120N-1-00111 12T,X,WINCH(W/O FREE-FALL),JIB(P.T)
PG1200162-00 PIPING,TELESCOPING



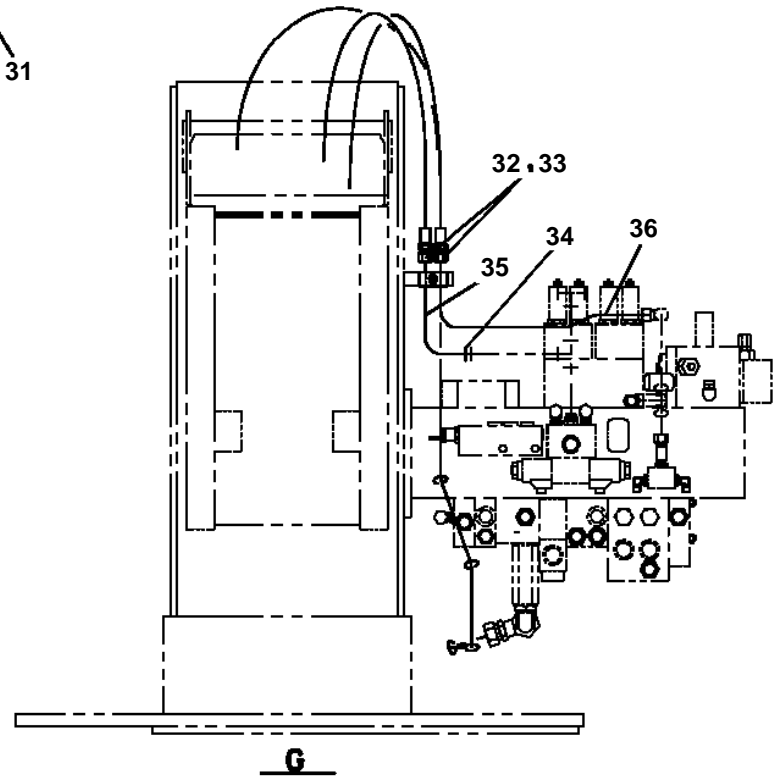
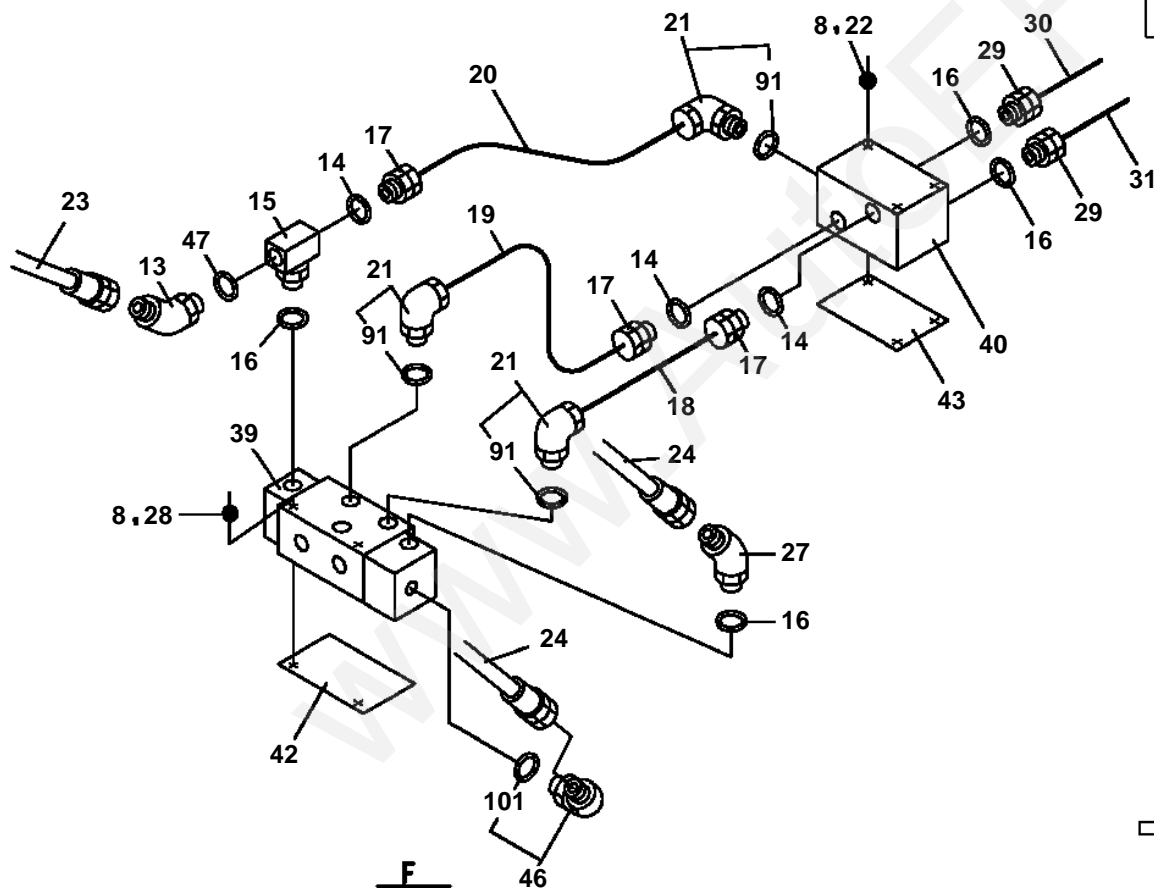
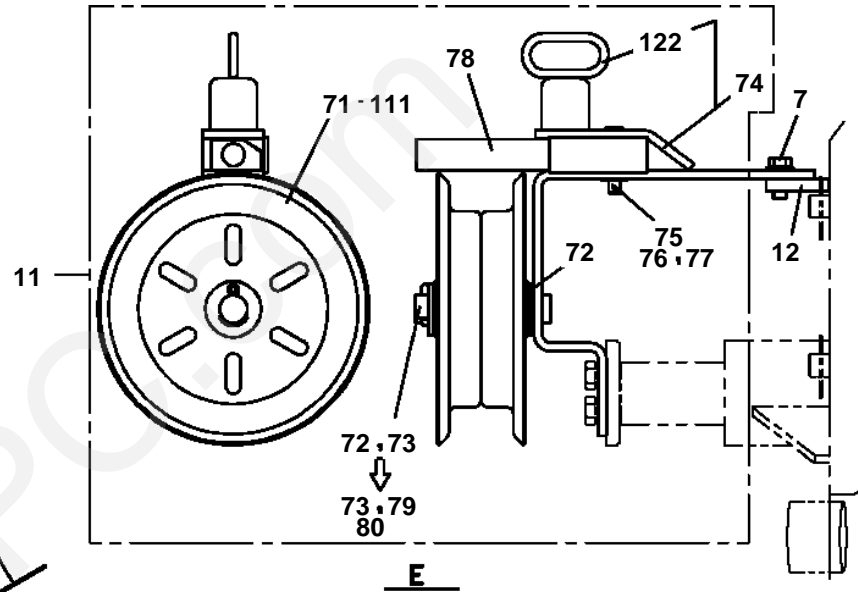
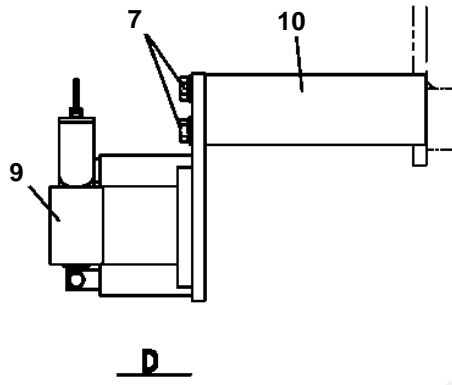
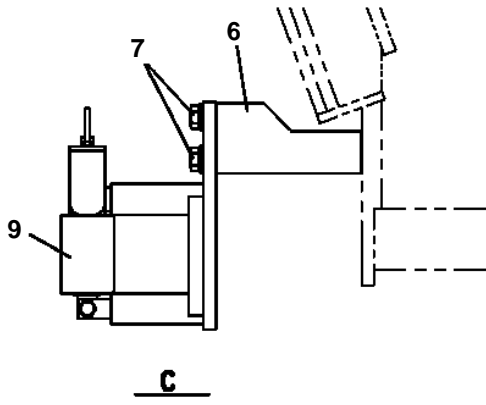
GR-120N-1-00111 12T,X,WINCH(W/O FREE-FALL),JIB(PT)

Pos No.	Parts No	Parts Name	Qty	Unit	Technical Data	Serial No (Start)	Serial No (End)	Remarks	Pages
1	81408000210	PIPE,STEEL	1	M	15X2.0T				
2	81408000210	PIPE,STEEL	1	M	15X2.0T				
3	37000711090	CLAMP ASSY	5		18X2				
4	81408000210	PIPE,STEEL	4	M	15X2.0T				
5	81408000210	PIPE,STEEL	4	M	15X2.0T				
6	37000300750	SLEEVE	15		18-15				
7	80303130181	FITTING,ELBOW	1		KLO15-030E				
8	81408000210	PIPE,STEEL	2	M	15X2.0T				
9	81408000210	PIPE,STEEL	2	M	15X2.0T				
10	81408000210	PIPE,STEEL	2	M	15X2.0T				
11	90280200800	NUT,FLANGE	1		M8				
12	90101208110	BOLT	1		M8X110				
13	37005700050	CLAMP	1		18X2				
14	37000909250	JOINT	1		L,G3/8-15				
15	34344343200	COVER	1						
16	37000576880	SUPPORT	4						
17	90302041001	WASHER,SPRING	4		10				
18	90813110020	BOLT,WING	4		M10X20				
19	90303071001	WASHER,PLAIN	4		10				
20	37000711010	CLAMP ASSY	2		18X1				
21	80471020503	JOINT	2		45,G3/8-G3/8				
22	91002801400	O-RING	4		1B P14				
23	80302090181	FITTING	2		KCO15-030N				
24	80306010125	NUT	7		KKN15-000E				
25	80309010125	SLEEVE	7						
26	37002470070	HOSE	2		L=280				
27	37002470060	HOSE	2		L=430				
28	80430620600	JOINT (WITH O-RING)	2		L,G3/8-G3/8				
29	37002470050	HOSE	3		L=1000				
30	37000601120	CLAMP	1						
31	42340171310	CUSHION	2						
41	91002801400	O-RING	3		1B P14				
52	82400000201	GROMMET	1	M	KG-016				

GR-120N-1-00111 12T,X,WINCH(W/O FREE-FALL),JIB(PT)
PG1220062-01 PIPING,BOOM (POWER TILT)



GR-120N-1-00111 12T,X,WINCH(W/O FREE-FALL),JIB(Power Tilt)
PG1220062-01 PIPING,BOOM (POWER TILT)



GR-120N-1-00111 12T,X,WINCH(W/O FREE-FALL),JIB(PT)

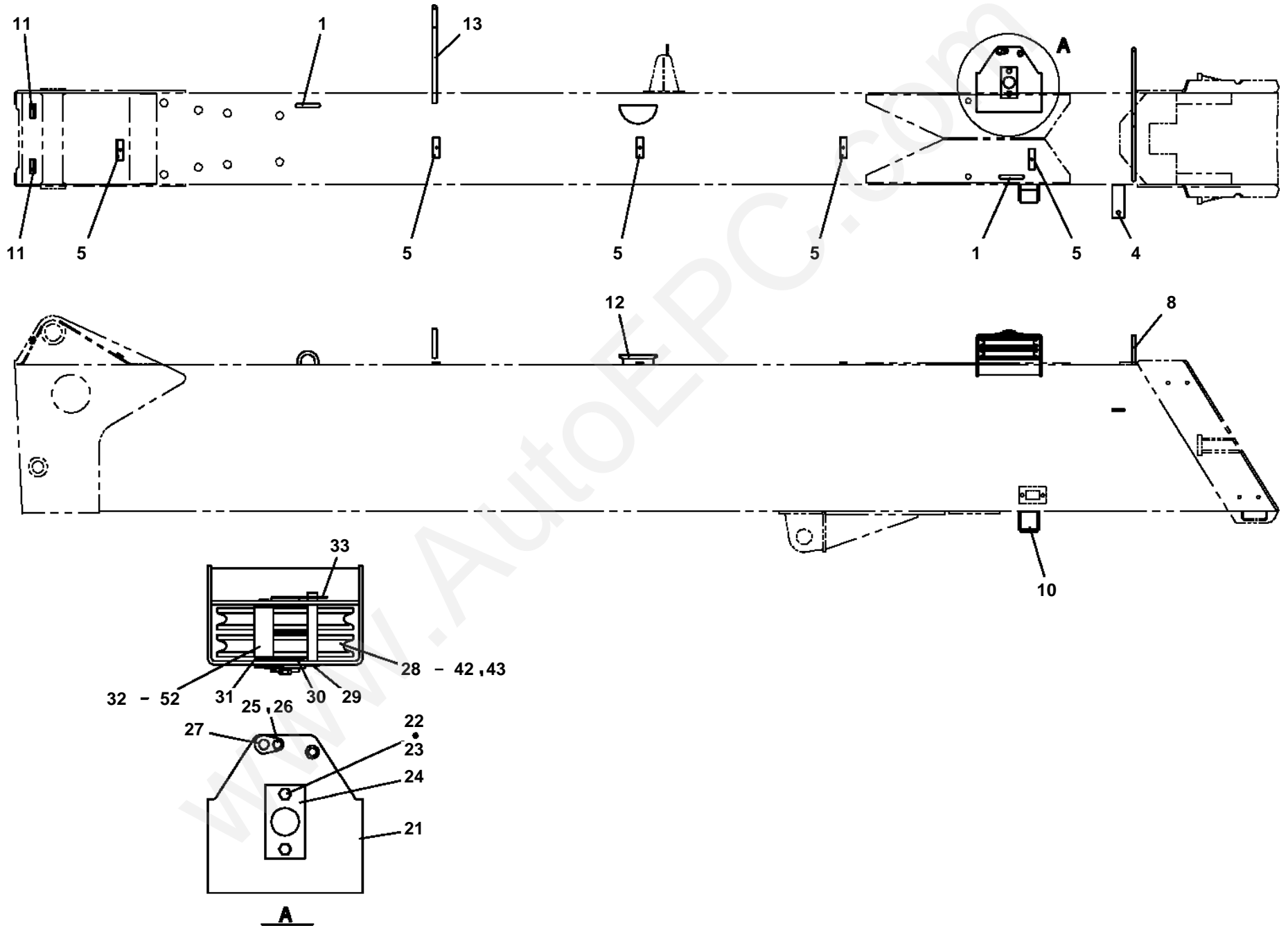
Pos No.	Parts No	Parts Name	Qty	Unit	Technical Data	Serial No (Start)	Serial No (End)	Remarks	Pages
1	37000576750	PLATE	1						
2	90101212030	BOLT	4		M12X30				
3	90302041201	WASHER,SPRING	4		12				
4	34344332100	REEL,HOSE (POWER TILT)	1						000073
5	34344332200	ROLLER ASSY	1						
6	34344332400	SUPPORT	1						
7	90186210020	BOLT,FLANGE	4		M10X20				
8	90302041001	WASHER,SPRING	6		10				
9	34341942200	ROLLER ASSY	2						
10	34344332500	SUPPORT	1						
11	34344332600	ROLLER ASSY	1						
12	37000565300	PLATE	1						
13	80471020506	JOINT	1		45,G3/4-G3/4				
14	91002801400	O-RING	3		1B P14				
15	34344332800	JOINT	1						
16	91002801100	O-RING	6		1B P11				
17	80302090181	FITTING	3		KCO15-030N				
18	81408000210	PIPE,STEEL	1	M	15X2.0T				
19	81408000210	PIPE,STEEL	1	M	15X2.0T				
20	81408000210	PIPE,STEEL	1	M	15X2.0T				
21	80303130181	FITTING,ELBOW	3		KLO15-030E				
22	90101210080	BOLT	3		M10X80				
23	37002470890	HOSE	1		L=1000				
24	37002471630	HOSE (WITH PROTECT SPRING)	2		L=1100				
25	37005700020	CLAMP	1		12X2				
27	80471020502	JOINT	1						
28	90101210075	BOLT	2		M10X75				
29	80302090141	FITTING	4		KCO12-020N				
30	81408000160	PIPE,STEEL	3	M	12X1.4T				
31	81408000160	PIPE,STEEL	3	M	12X1.4T				
32	80306010105	NUT	2		KKN12-000E				
33	80309010105	SLEEVE	2		KK012-000E				
34	80320010085	FITTING	1		KUD12-040N				
35	81408000160	PIPE,STEEL	1	M	12X1.4T				
36	81408000160	PIPE,STEEL	1	M	12X1.4T				
37	80306010205	NUT	1		KKN22-000E				
38	80309010205	SLEEVE	1		KKO22-000E				
39	36649390000	VALVE,HYDRAULIC	1						000120
40	36611450000	VALVE,FLOW CONTROL	1						000131
41	81408000290	PIPE,STEEL	2	M	22X2.5T				
42	37000576790	PLATE	1						
43	37000576800	PLATE	1						
44	37000514600	PLATE	3						
45	37000711080	CLAMP ASSY	3		12-2				
46	80430620400	JOINT	1				FD1440		
	36672530000	FILTER (WITH O-RING)	1			FD1441			
47	91002802400	O-RING	1		1B P24				
48	37000511420	PLATE	1						
49	90171110025	BOLT	1		M10X25				
61	37000123760	PIN	2						
62	90186208010	BOLT,FLANGE	2		M8X10				
63	34344332300	SUPPORT	1						
64	90303071401	WASHER,PLAIN	4		14				
65	37001104290	ROLLER	1		D40X63				
66	37001106270	ROLLER	1						
71	34341961400	ROLLER ASSY	1						

GR-120N-1-00111 12T,X,WINCH(W/O FREE-FALL),JIB(PT)

Pos No.	Parts No	Parts Name	Qty	Unit	Technical Data	Serial No (Start)	Serial No (End)	Remarks	Pages
72	90303132001	WASHER,PLAIN	1		20				
73	80136332028	PIN,SPLIT	1		3.2X28				
74	34344332701	SUPPORT	1						
75	37000114860	PIN	1						
76	80136320014	PIN,SPLIT	1		2X14				
77	90303070801	WASHER,PLAIN	1		8				
78	34341961301	SUPPORT	1						
79	37000574860	PLATE	1						
80	90236201400	NUT,CASTLE	1		M14				
91	91002801400	O-RING	3		1B P14				
101	91002801100	O-RING	1		1B P11				
111	80804020020	BEARING,PLAIN	2				FD0711		
	80804020010	BEARING,PLAIN	2			FD0712			
122	34341961250	PIN ASSY	1						

www.AutoEPC.com

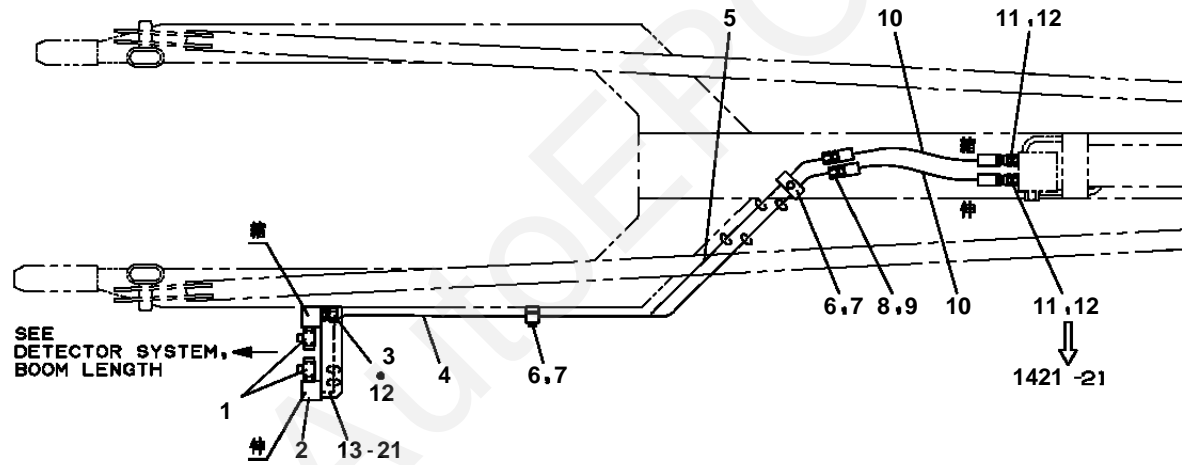
GR-120N-1-00111 12T,X,WINCH(W/O FREE-FALL),JIB(P.T)
PG1350013-02 WELDED PARTS (BOOM,BASE)



GR-120N-1-00111 12T,X,WINCH(W/O FREE-FALL),JIB(PT)

Pos No.	Parts No	Parts Name	Qty	Unit	Technical Data	Serial No (Start)	Serial No (End)	Remarks	Pages
1	31201571100	SUPPORT	2						
4	37000552780	PLATE	1						
5	37000514150	PLATE	5						
8	34201476710	GUIDE	1						
10	34201476901	SUPPORT	1						
11	37000500120	PLATE	2						
12	34200885560	GUIDE	1						
13	34201476720	GUIDE	1						
21	34201476810	SUPPORT	1						
22	90101210016	BOLT	2		M10X16				
23	90302041001	WASHER,SPRING	2		10				
24	37000100170	PIN	1						
25	90101208016	BOLT	1		M8X16				
26	90302040801	WASHER,SPRING	1		8				
27	37000158410	PIN	1						
28	37001008810	SHEAVE ASSY	2						
29	37000157860	PIN	1						
30	37000307070	SPACER	3		L=3				
31	37000577780	PLATE	2						
32	37001107400	ROLLER ASSY	1						
33	80620210160	PIN,SNAP	1						
42	80602110850	RING,RITAINING	2		R85				
43	80515006209	BEARING,BALL	4						
52	80804016025	BEARING,PLAIN	2						

GR-120N-1-00111 12T,X,WINCH(W/O FREE-FALL),JIB(P.T)
PG1400114-02 PIPING,JIB (POWER TILT)

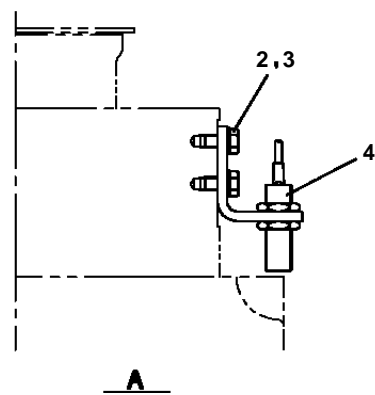
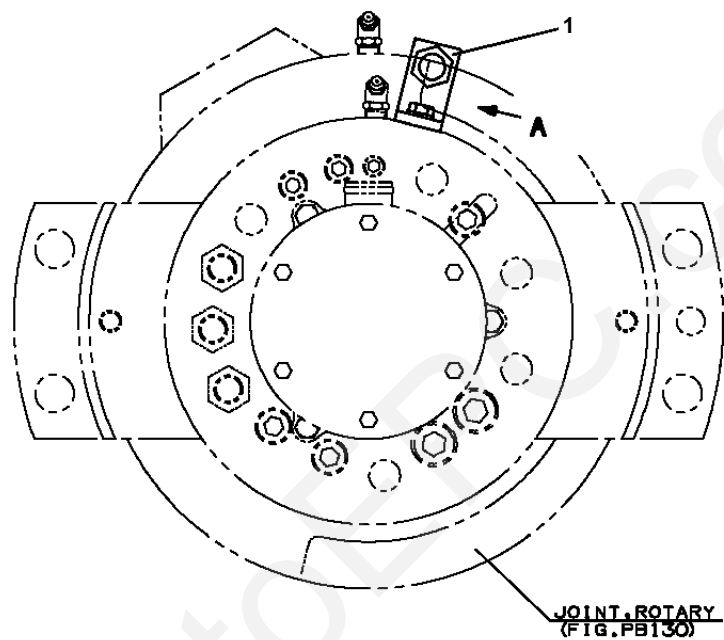


GR-120N-1-00111 12T,X,WINCH(W/O FREE-FALL),JIB(PT)

Pos No.	Parts No	Parts Name	Qty	Unit	Technical Data	Serial No (Start)	Serial No (End)	Remarks	Pages
1	36673010000	JOINT,SWIVEL	2						
2	34344331100	JOINT	1						
3	80302090141	FITTING	1		KCO12-020N				
4	81408000160	PIPE,STEEL	2	M	12X1.4T				
5	81408000160	PIPE,STEEL	2	M	12X1.4T				
6	37000711080	CLAMP ASSY	2		12-2				
7	37000514600	PLATE	2						
8	80306010105	NUT	2		KKN12-000E				
9	80309010105	SLEEVE	2		KK012-000E				
10	37002402510	HOSE	2		L=375				
11	80400160127	JOINT	2				FD1575		
	80400160127	JOINT	1			FD1576			
12	91002801100	O-RING	3		1B P11		FD1575		
	91002801100	O-RING	2		1B P11	FD1576			
13	80303130141	FITTING,ELBOW	1		KLO12-020E				
14	36672460000	FILTER (NIPPLE TYPE)	1			FD1576			
21	91002801100	O-RING	1		1B P11				
	91002801100	O-RING	1		1B P11	FD1576			

GR-120N-1-00111 12T,X,WINCH(W/O FREE-FALL),JIB(P.T)
PH1050014-00 DETECTOR,OVER SIDE AREA

→ FRONT

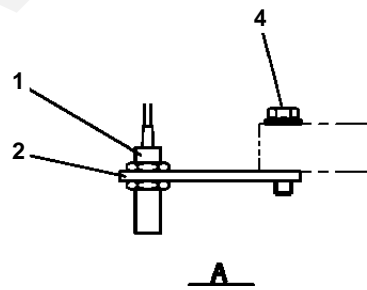
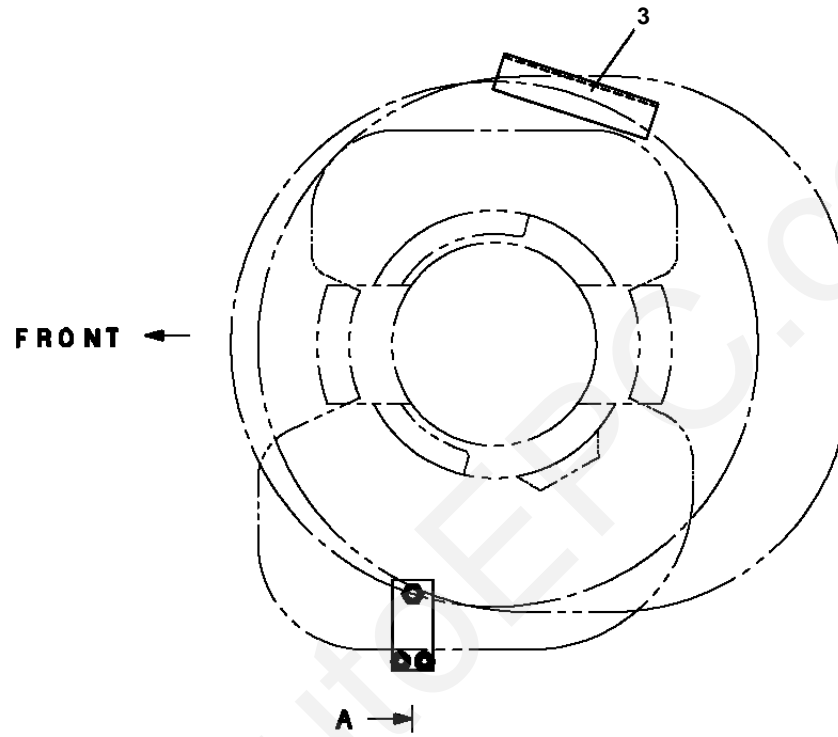


GR-120N-1-00111 12T,X,WINCH(W/O FREE-FALL),JIB(PT)

Pos No.	Parts No	Parts Name	Qty	Unit	Technical Data	Serial No (Start)	Serial No (End)	Remarks	Pages
1	34951390100	SUPPORT	1						
2	90101206012	BOLT	2		M6X12				
3	90302040601	WASHER,SPRING	2		6				
4	82108901190	SWITCH	1						

www.AutoEPC.com

GR-120N-1-00111 12T,X,WINCH(W/O FREE-FALL),JIB(P
PH1090024-00 DETECTOR,OVER REAR AREA



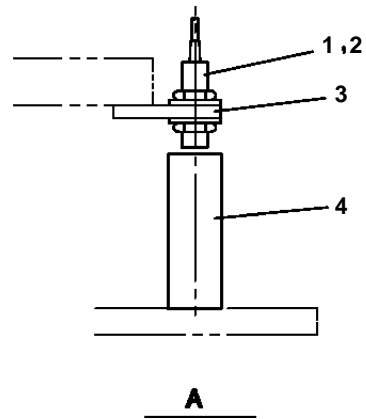
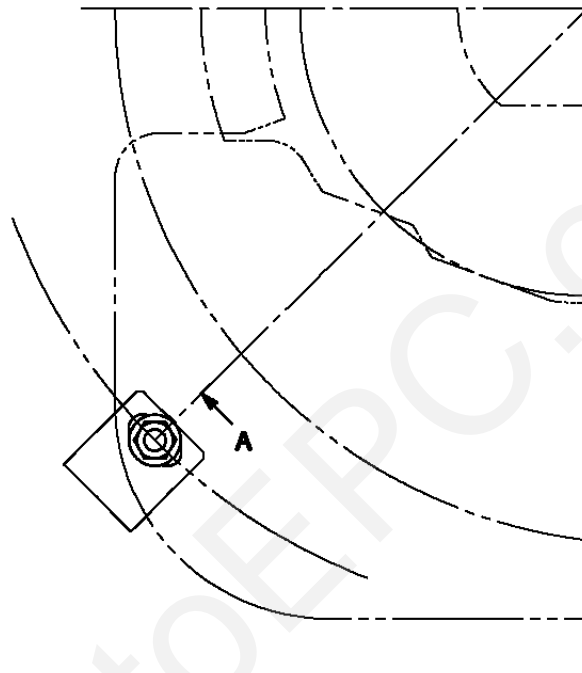
GR-120N-1-00111 12T,X,WINCH(W/O FREE-FALL),JIB(PT)

Pos No.	Parts No	Parts Name	Qty	Unit	Technical Data	Serial No (Start)	Serial No (End)	Remarks	Pages
1	82108901190	SWITCH	1				FD1264		
	82108501100	SWITCH	1		FL7M-5A6N-901	FD1265			
2	34950910300	PLATE	1						
3	34950910200	CAM	1						
4	90186208035	BOLT,FLANGE	2		M8X35				

www.AutoEPC.com

GR-120N-1-00111 12T,X,WINCH(W/O FREE-FALL),JIB(P
PH1100044-00 DETECTOR,OVER FRONT AREA

FRONT ←

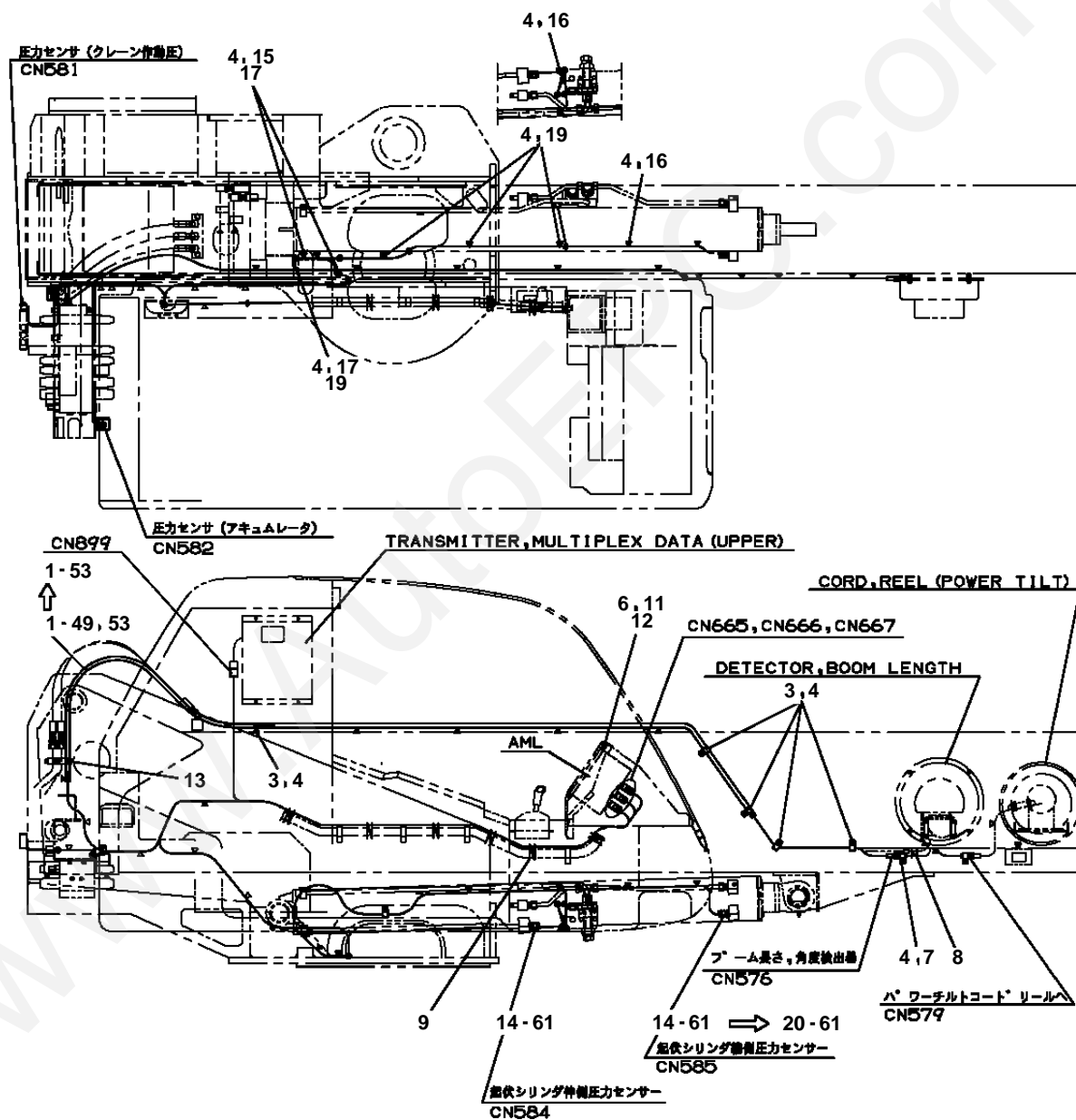


GR-120N-1-00111 12T,X,WINCH(W/O FREE-FALL),JIB(PT)

Pos No.	Parts No	Parts Name	Qty	Unit	Technical Data	Serial No (Start)	Serial No (End)	Remarks	Pages
1	82108901190	SWITCH	1				FD1264		
	82108501100	SWITCH	1		FL7M-5A6N-901	FD1265			
2	90303071201	WASHER,PLAIN	2		12				
3	34950720030	PLATE	1						
4	34950900100	CAM	1						

www.AutoEPC.com

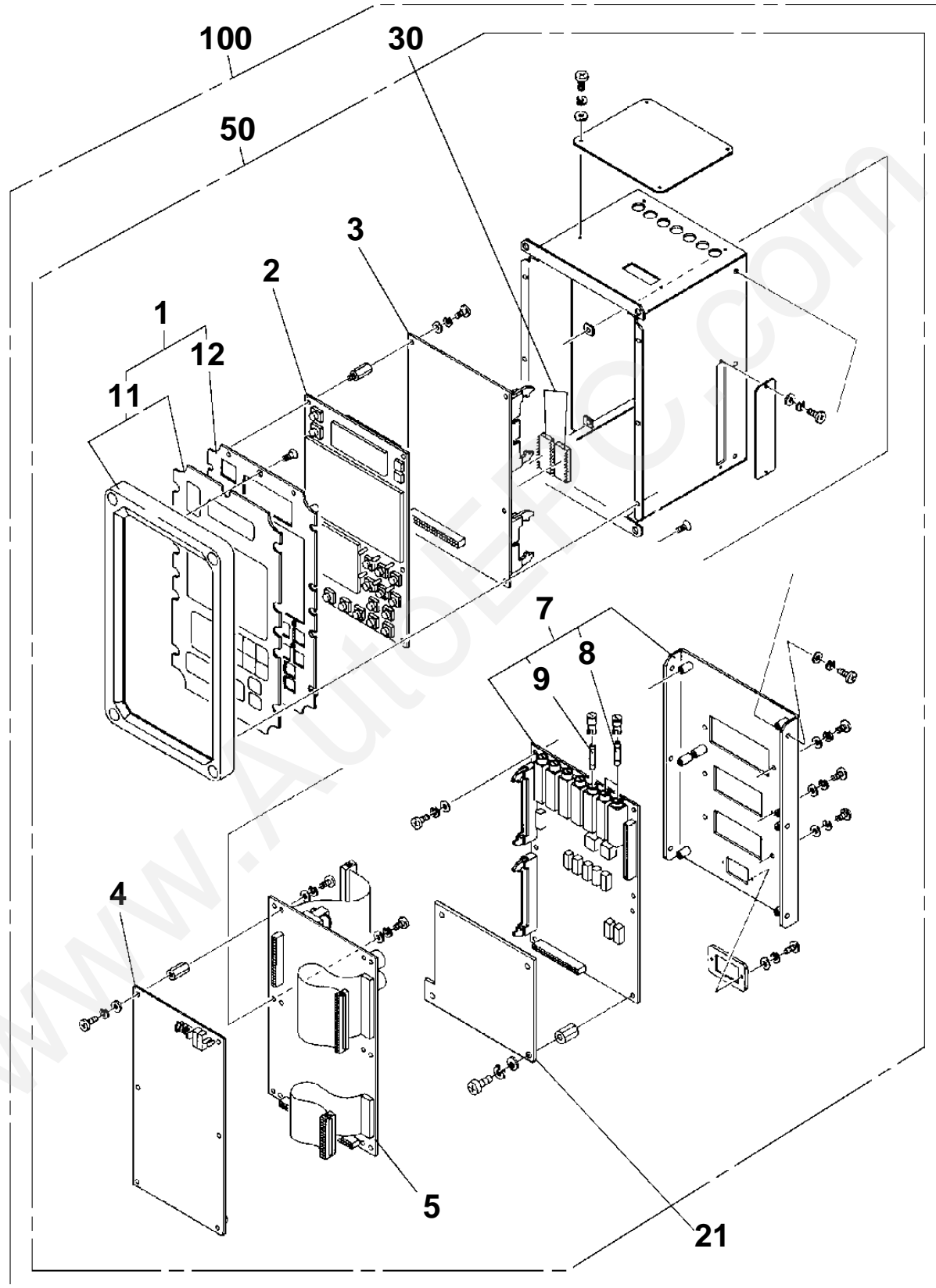
GR-120N-1-00111 12T,X,WINCH(W/O FREE-FALL),JIB(P.T)
 PH1180217-02 CONNECTION,AML SYSTEM



GR-120N-1-00111 12T,X,WINCH(W/O FREE-FALL),JIB(PT)

Pos No.	Parts No	Parts Name	Qty	Unit	Technical Data	Serial No (Start)	Serial No (End)	Remarks	Pages
1	34362451100	HARNESS	1				FD0564		
	34362451101	HARNESS	1			FD0565	FD0740		
	34362451102	HARNESS	1			FD0741			
3	82100002012	CLAMP	9		WR18				
4	90280200600	NUT,FLANGE	32		M6				
6	80182405016	SCREW,MACHINE	4		M5X16				
7	82100002010	CLAMP	1		WR15				
8	91810130240	FASTENER	1						
9	91810132530	FASTENER	6						
11	90302350501	WASHER,SPRING	4		5				
12	90303360501	WASHER,PLAIN	4		5				
13	82100002013	CLAMP	1		WRC18				
14	36180110000	SENDER,PRESSURE	2				FD0547		
	36180110000	SENDER,PRESSURE	1			FD0548			
15	82100002033	CLAMP	3						
16	82100002006	CLAMP	4		WR10				
17	90155306015	BOLT,WELD	4		M6X15				
19	82100002037	CLAMP	4		WE10				
20	36180160000	SENDER,PRESSURE	1			FD0548			
49	82148005080	CONNECTOR	1				FD0740		
53	82116930406	CONNECTOR	1						
61	91002801400	O-RING	2		1B P14		FD0547		
	91002801400	O-RING	2		1B P14	FD0548			

GR-120N-1-00111 12T,X,WINCH(W/O FREE-FALL),JIB(P
PH1250057-00 MOMENT LIMITER (AML-LJ)

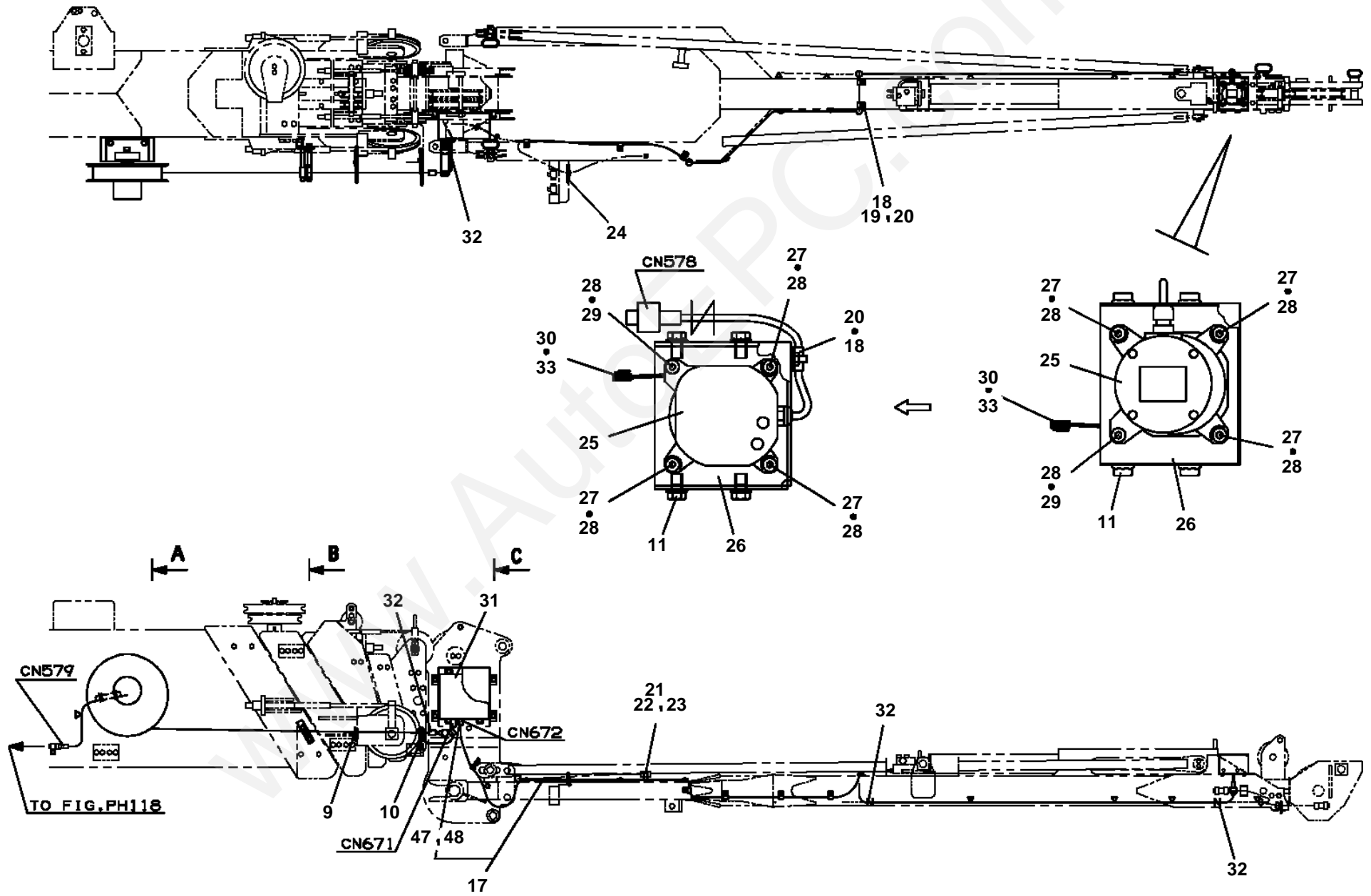


GR-120N-1-00111 12T,X,WINCH(W/O FREE-FALL),JIB(PT)

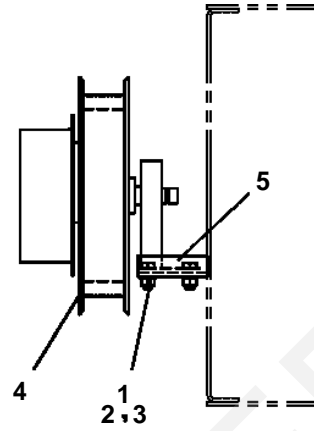
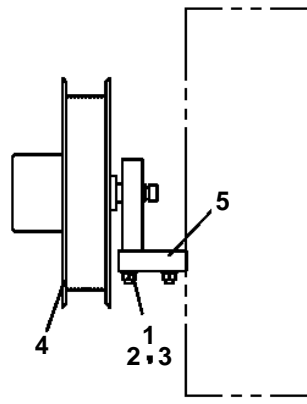
Pos No.	Parts No	Parts Name	Qty	Unit	Technical Data	Serial No (Start)	Serial No (End)	Remarks	Pages
1	36116905010	FRAME ASSY (LA)	1						
2	36117205020	BOARD,DISPLAY	1				FD0523		
	36117201300	BOARD,DISPLAY	1			FD0524			
3	36117395030	BOARD,CPU	1		4MB				
4	36119731100	BOARD,ANALOG	1						
5	36117205030	BOARD,POWER	1						
7	36117205040	BOARD ASSY	1						
8	36116795080	FUSE	2		3A				
9	36116795090	FUSE	5		2A				
11	36116905030	PANEL,FRONT (LA)	1						
12	36116905020	PANEL	1						
21	36117373000	BOARD ASSY (OP.1)	1						
30	(*****)	P-ROM	1						
50	36119731000	MOMENT LIMITER (LJ/WITHOUT P-ROM)	1						
100	36190290000	MOMENT LIMITER (AML-LJ)	1						

www.AutoEPC.com

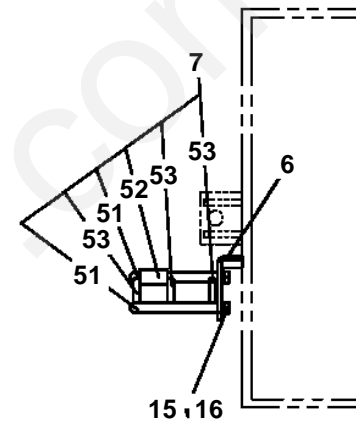
GR-120N-1-00111 12T,X,WINCH(W/O FREE-FALL),JIB(Power Tilt Jib)
PH1260037-03 INDICATOR,ANGLE (POWER TILT JIB)



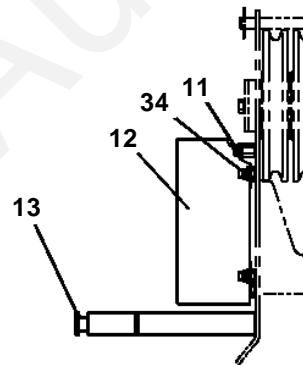
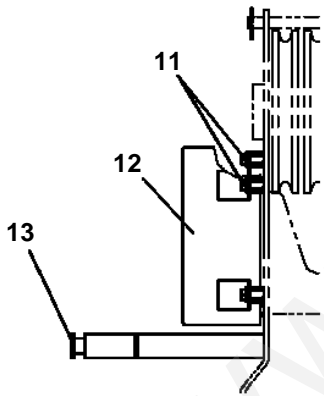
GR-120N-1-00111 12T,X,WINCH(W/O FREE-FALL),JIB(Power Tilt JIB)
PH1260037-03 INDICATOR,ANGLE (POWER TILT JIB)



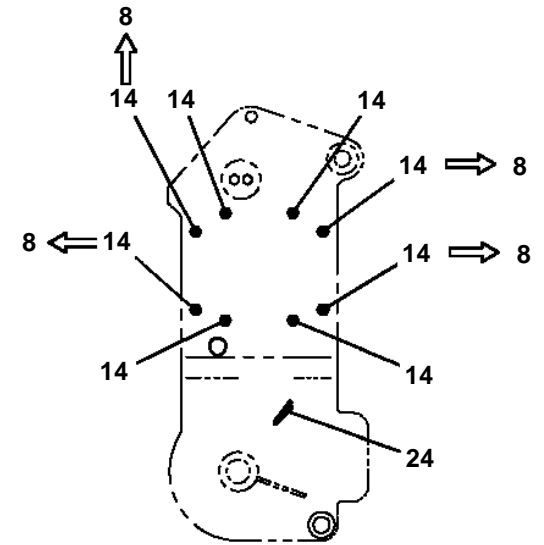
A



B



C

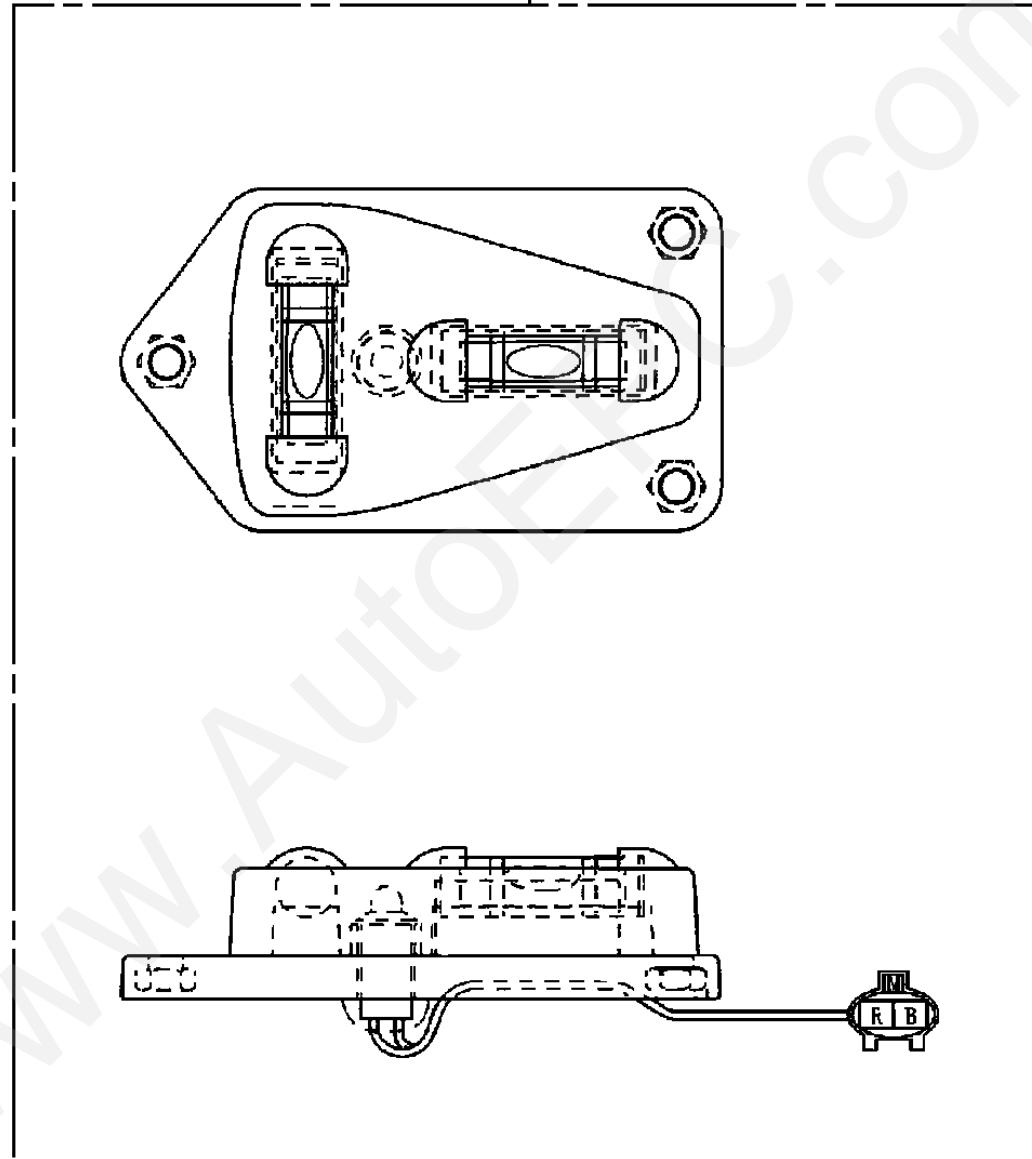


GR-120N-1-00111 12T,X,WINCH(W/O FREE-FALL),JIB(PT)

Pos No.	Parts No	Parts Name	Qty	Unit	Technical Data	Serial No (Start)	Serial No (End)	Remarks	Pages
1	90101212030	BOLT	4		M12X30				
2	90302041201	WASHER,SPRING	4		12				
3	90201201200	NUT	4		M12				
4	36161370000	REEL,CORD(POWER TILT)	1				FD0966		000201
	36161370001	REEL,CORD	1			FD0967			000202
5	34362455100	SUPPORT	1						
6	37000576760	SUPPORT	1						
7	34362455200	ROLLER ASSY	1						
8	90101210016	BOLT	4		M10X16	FD0528			
9	34362455300	SUPPORT	1						
10	34362455400	SUPPORT	1						
11	90186210014	BOLT,FLANGE	12		M10X14		FD0527		
	90186210014	BOLT,FLANGE	8		M10X14	FD0528			
12	34362455600	COVER	1				FD0527		
	34362455601	COVER	1			FD0528			
13	34362455500	SUPPORT	1						
14	37001600910	NUT	8		M10		FD0527		
	37001600910	NUT	4		M10	FD0528			
15	90201201000	NUT	2		M10				
16	90302041001	WASHER,SPRING	2		10				
17	34362455700	CABLE	1						
18	82100002002	CLAMP	9		WR6		FD0974		
	82100002002	CLAMP	10		WR6	FD0975			
19	90190000008	BOLT,STUD	9		M6X20				
20	90155306015	BOLT,WELD	9		M6X15		FD0974		
	90280200600	NUT,FLANGE	10		M6	FD0975			
21	37001400140	SPRING	1						
22	80171303005	SCREW,MACHINE	2		M3X5				
23	90302040301	WASHER,SPRING	2		3				
24	32360000121	SUPPORT	2						
25	36131910000	DETECTOR,JIB LENGTH (POWER TILT)	1				FD0974		000078
	36132350000	DETECTOR,JIB LENGTH	1			FD0975			000079
26	34362455800	COVER	1				FD0974		
	34362455900	COVER	1			FD0975			
27	90172106014	BOLT,HEXAGON SOCKET	3		M6X14				
28	90302040601	WASHER,SPRING	4		6				
29	90172106030	BOLT,HEXAGON SOCKET	1		M6X30				
30	90303070601	WASHER,PLAIN	1		6				
31	36120150000	TRANSMITTER,SIGNAL (POWER TILT JIB)	1				FD0444		000199
	36120460000	TRANSMITTER,SIGNAL	1			FD0445			000200
32	91810130250	FASTENER	6						
33	80136320016	PIN,SPLIT	1		2X16				
34	90280201000	NUT,FLANGE	4		M10	FD0528			
47	82147505063	CONNECTOR	1						
48	82121201101	PLUG	1						
51	34362457510	PIN	2		D=15				
52	34362457520	ROLLER	1						
53	34362457530	PIN	3		D=10				

GR-120N-1-00111 12T,X,WINCH(W/O FREE-FALL),JIB(P
PH1390002-01 LEVEL GAUGE

10

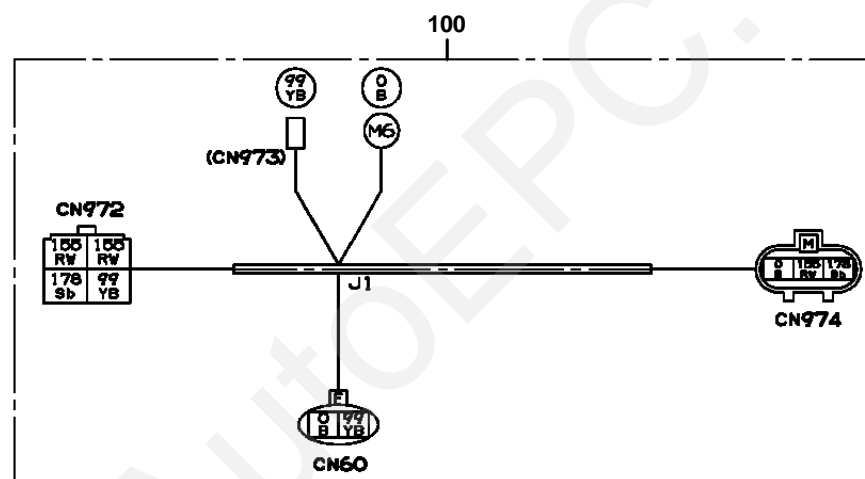


GR-120N-1-00111 12T,X,WINCH(W/O FREE-FALL),JIB(PT)

Pos No.	Parts No	Parts Name	Qty	Unit	Technical Data	Serial No (Start)	Serial No (End)	Remarks	Pages
10	34251200500	LEVEL GAUGE	1						

www.AutoEPC.com

GR-120N-1-00111 12T,X,WINCH(W/O FREE-FALL),JIB(PT)
PH5031274-00 HARNESS

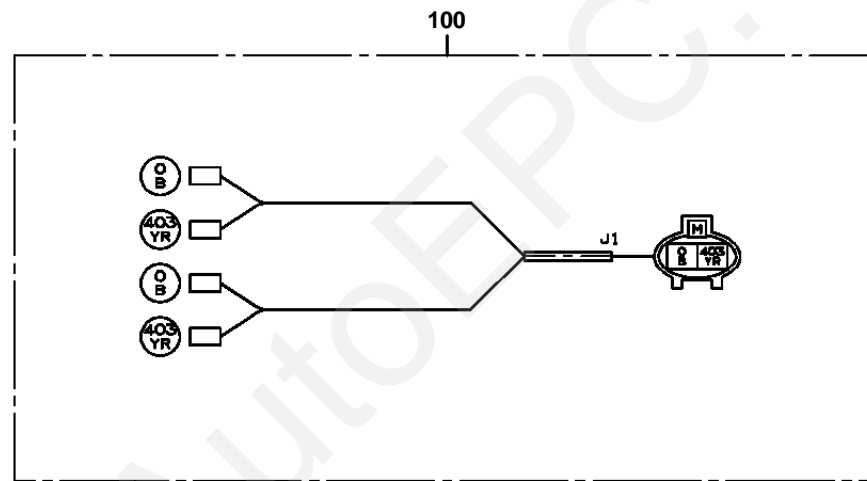


GR-120N-1-00111 12T,X,WINCH(W/O FREE-FALL),JIB(PT)

Pos No.	Parts No	Parts Name	Qty	Unit	Technical Data	Serial No (Start)	Serial No (End)	Remarks	Pages
100	34352801610	HARNESS	1						

www.AutoEPC.com

GR-120N-1-00111 12T,X,WINCH(W/O FREE-FALL),JIB(PT)
PH5031275-00 HARNESS

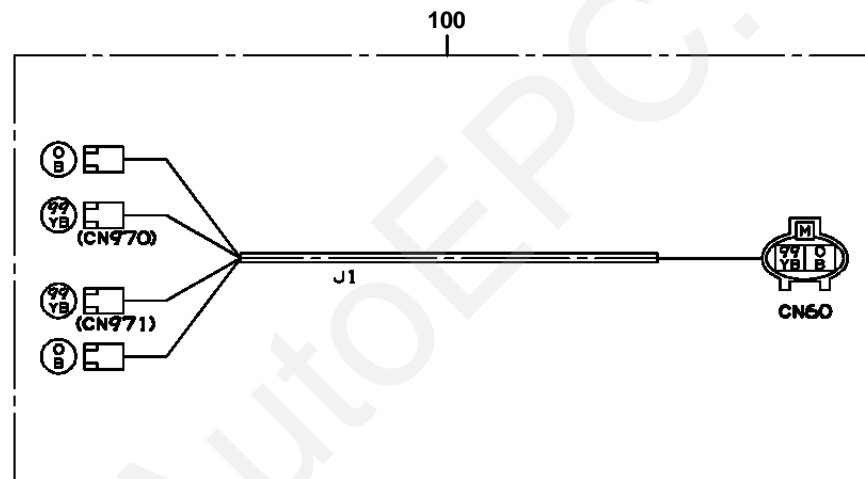


GR-120N-1-00111 12T,X,WINCH(W/O FREE-FALL),JIB(PT)

Pos No.	Parts No	Parts Name	Qty	Unit	Technical Data	Serial No (Start)	Serial No (End)	Remarks	Pages
100	34352812040	HARNESS	1						

www.AutoEPC.com

GR-120N-1-00111 12T,X,WINCH(W/O FREE-FALL),JIB(PT)
PH5031276-00 HARNESS

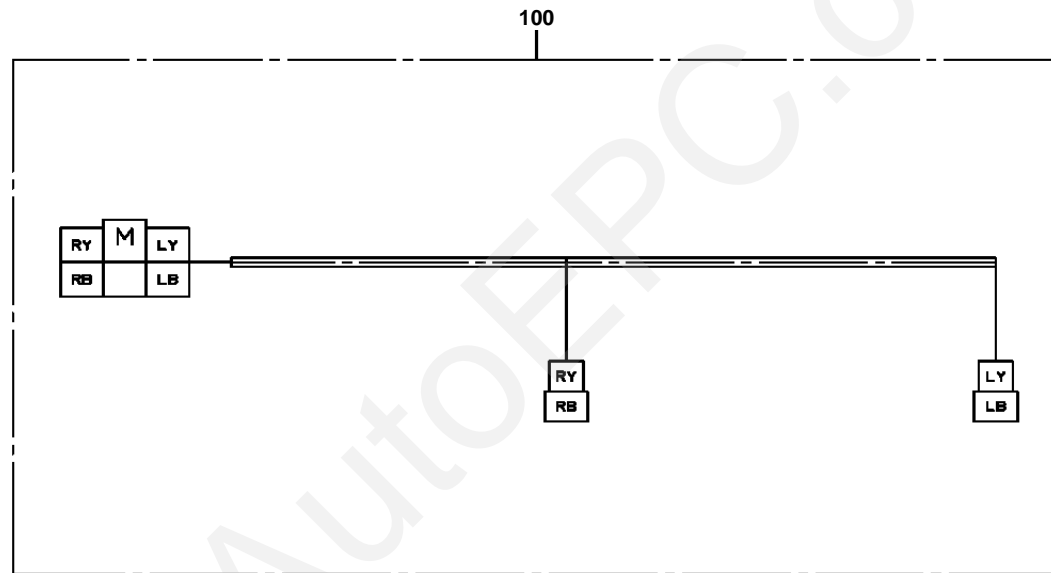


GR-120N-1-00111 12T,X,WINCH(W/O FREE-FALL),JIB(PT)

Pos No.	Parts No	Parts Name	Qty	Unit	Technical Data	Serial No (Start)	Serial No (End)	Remarks	Pages
100	34352802110	HARNESS	1						

www.AutoEPC.com

GR-120N-1-00111 12T,X,WINCH(W/O FREE-FALL),JIB(P.T)
PH5031277-00 HARNESS

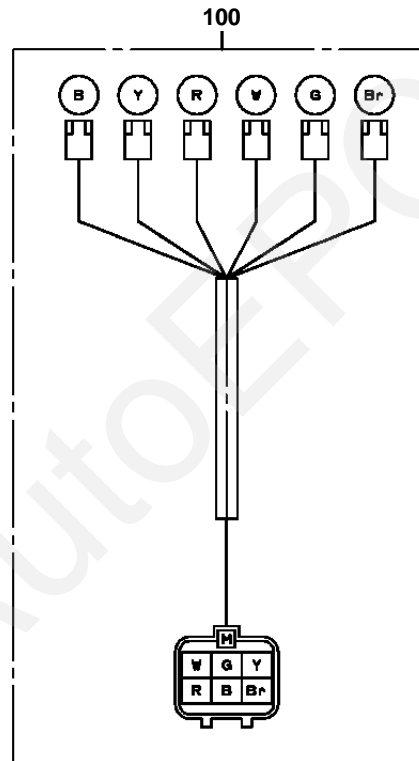


GR-120N-1-00111 12T,X,WINCH(W/O FREE-FALL),JIB(PT)

Pos No.	Parts No	Parts Name	Qty	Unit	Technical Data	Serial No (Start)	Serial No (End)	Remarks	Pages
100	34260634110	HARNESS	1						

www.AutoEPC.com

GR-120N-1-00111 12T,X,WINCH(W/O FREE-FALL),JIB(P.T)
PH5031279-00 HARNESS

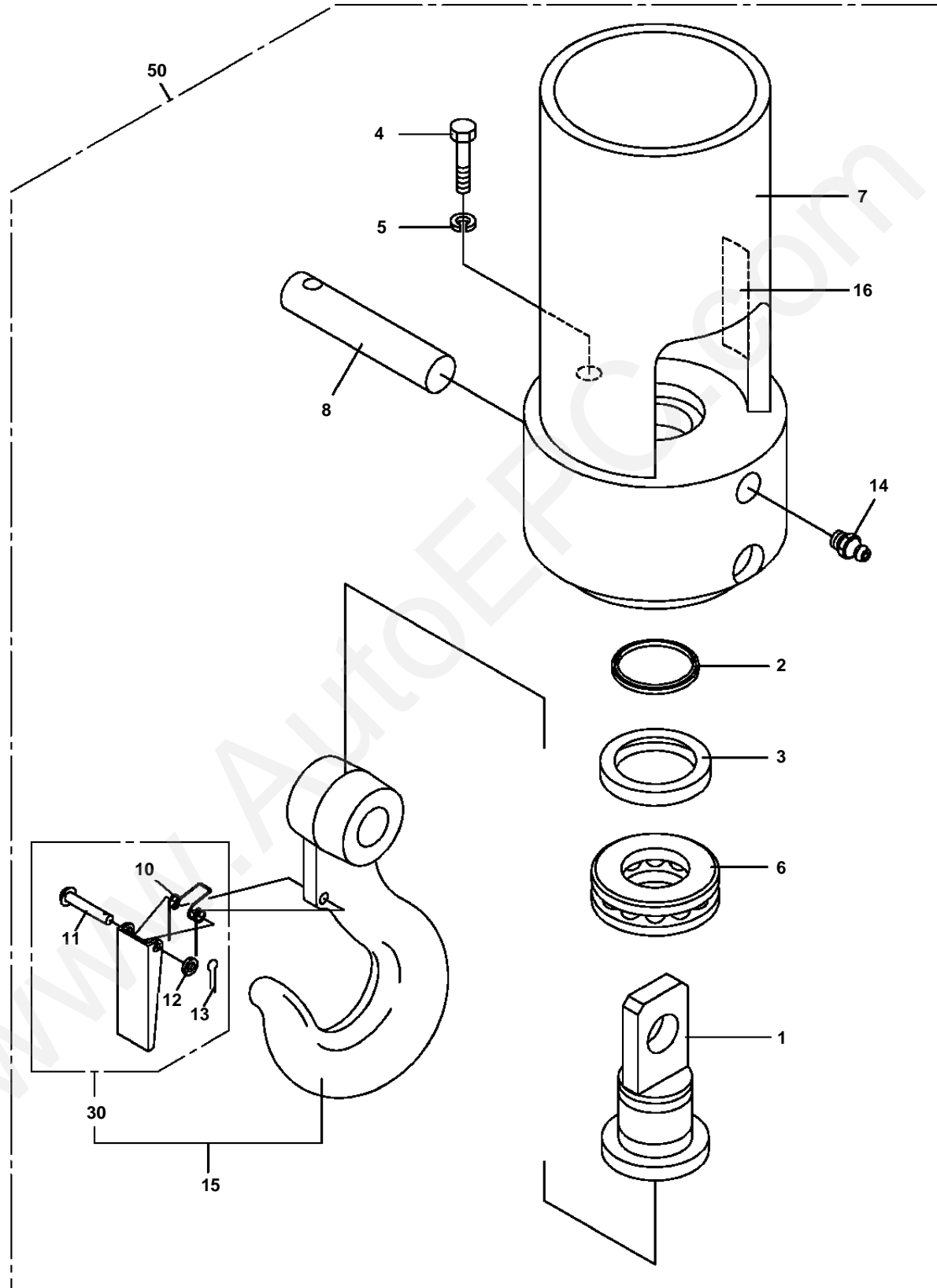


GR-120N-1-00111 12T,X,WINCH(W/O FREE-FALL),JIB(PT)

Pos No.	Parts No	Parts Name	Qty	Unit	Technical Data	Serial No (Start)	Serial No (End)	Remarks	Pages
100	34930973200	HARNESS	1						

www.AutoEPC.com

GR-120N-1-00111 12T,X,WINCH(W/O FREE-FALL),JIB(P
PH5080005-00 HOOK ASSY (AUX./1.8TON)

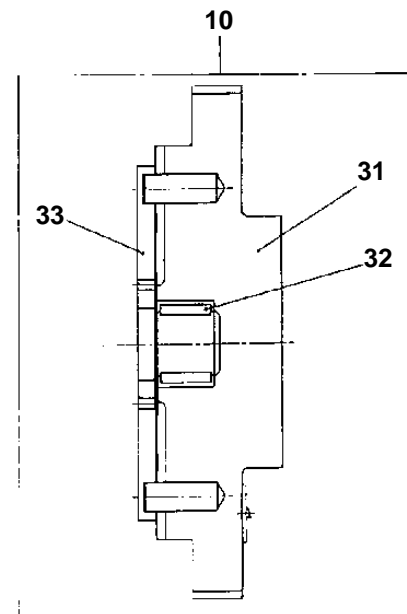
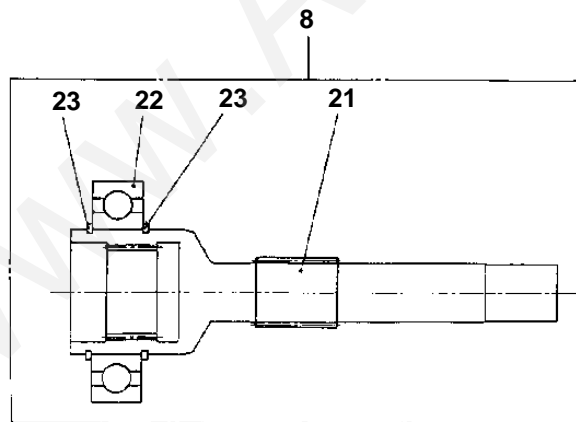
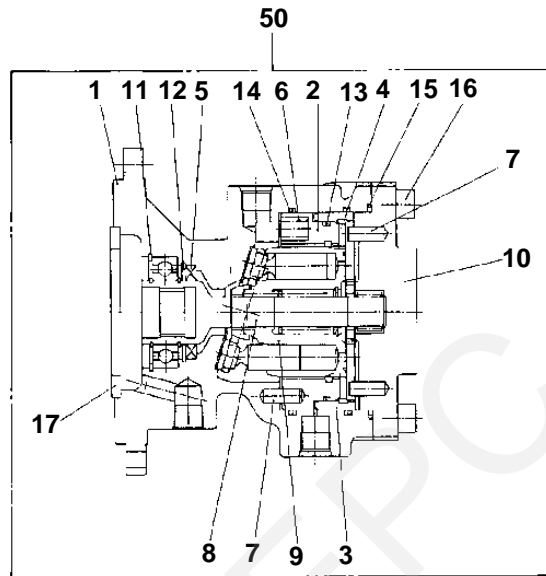


GR-120N-1-00111 12T,X,WINCH(W/O FREE-FALL),JIB(PT)

Pos No.	Parts No	Parts Name	Qty	Unit	Technical Data	Serial No (Start)	Serial No (End)	Remarks	Pages
1	36094681000	SHAFT	1						
2	91250000040	SEAL,RING	1						
3	36094683000	BEARING,PLAIN	1						
4	90101210090	BOLT	1		M10X90				
5	90302041001	WASHER,SPRING	1		10				
6	80500051109	BEARING,BALL	1						
7	36094682000	BODY	1						
8	37000135670	PIN	1						
10	37001400020	SPRING	1						
11	37000105180	PIN	1						
12	90303070601	WASHER,PLAIN	1		6				
13	80136316012	PIN,SPLIT	1		1.6X12				
14	82455106000	NIPPLE,GREASE	1		A-M6F FE				
15	36092269510	HOOK ASSY	1						
16	33230000050	PLATE	1						
30	36094049510	STOPPER ASSY	1						
50	36094680000	HOOK ASSY (AUX./1.8TON)	1						

www.AutoEPC.com

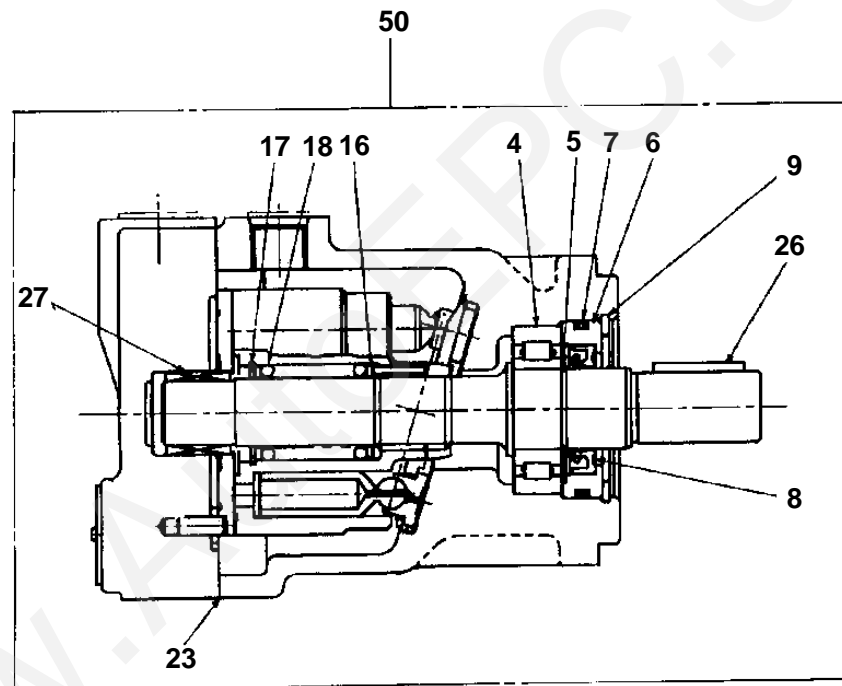
GR-120N-1-00111 12T,X,WINCH(W/O FREE-FALL),JIB(P
PI1010071-01 MOTOR,HYDRAULIC (SWING)



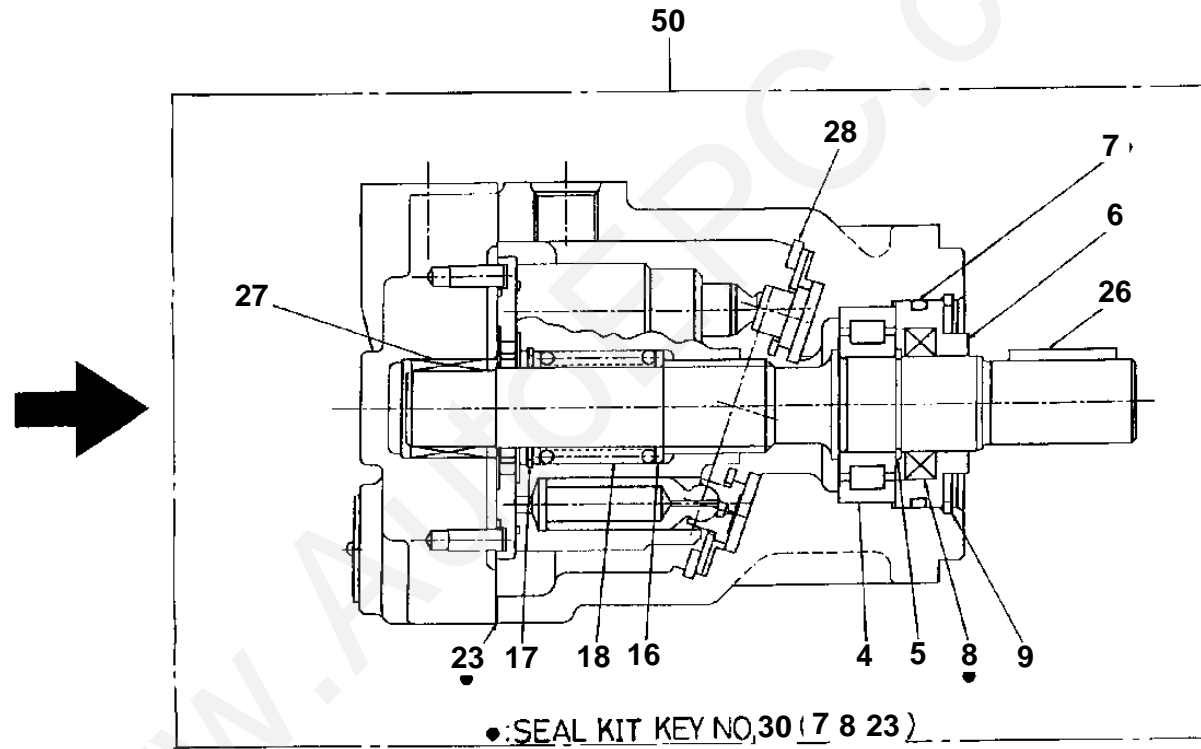
GR-120N-1-00111 12T,X,WINCH(W/O FREE-FALL),JIB(PT)

Pos No.	Parts No	Parts Name	Qty	Unit	Technical Data	Serial No (Start)	Serial No (End)	Remarks	Pages
1	36662175130	HOUSING	1						
2	36662175010	PISTON	1						
3	36662175020	RING	1						
4	36662175030	PLATE	1						
5	36651685150	SEAL,OIL	1						
6	36662175040	SPRING	12						
7	80730080020	PIN (STRAIGHT)	3		8X20				
8	36662175140	SHAFT ASSY	1						
9	36662175050	ROTARY GROUP	1						
10	36662175160	COVER ASSY	1						
11	80602110620	RING,RITAINING	1		R62				
12	80602110520	RING,RITAINING	1		R52				
13	91001209500	O-RING	1		1A G95				
14	91001211000	O-RING	2		1A G110				
15	91001211500	O-RING	1		1A G115				
16	90131510030	BOLT,HEXAGON SOCKET	6		M10X30				
21	36662175070	SHAFT	1						
22	36662175080	BEARING	1						
23	80601110350	RING,RITAINING	2		S35				
31	36662175100	COVER	1						
32	36662175110	BEARING	1						
33	36662175120	PLATE (CONTROL)	1						
50	36662580000	MOTOR,HYDRAULIC (SWING)	1						

GR-120N-1-00111 12T,X,WINCH(W/O FREE-FALL),JIB(PT)
PI1010072-01 MOTOR,HYDRAULIC (AIR CONDITIONER)



GR-120N-1-00111 12T,X,WINCH(W/O FREE-FALL),JIB(P.T)
PI1010072-01 MOTOR,HYDRAULIC (AIR CONDITIONER)

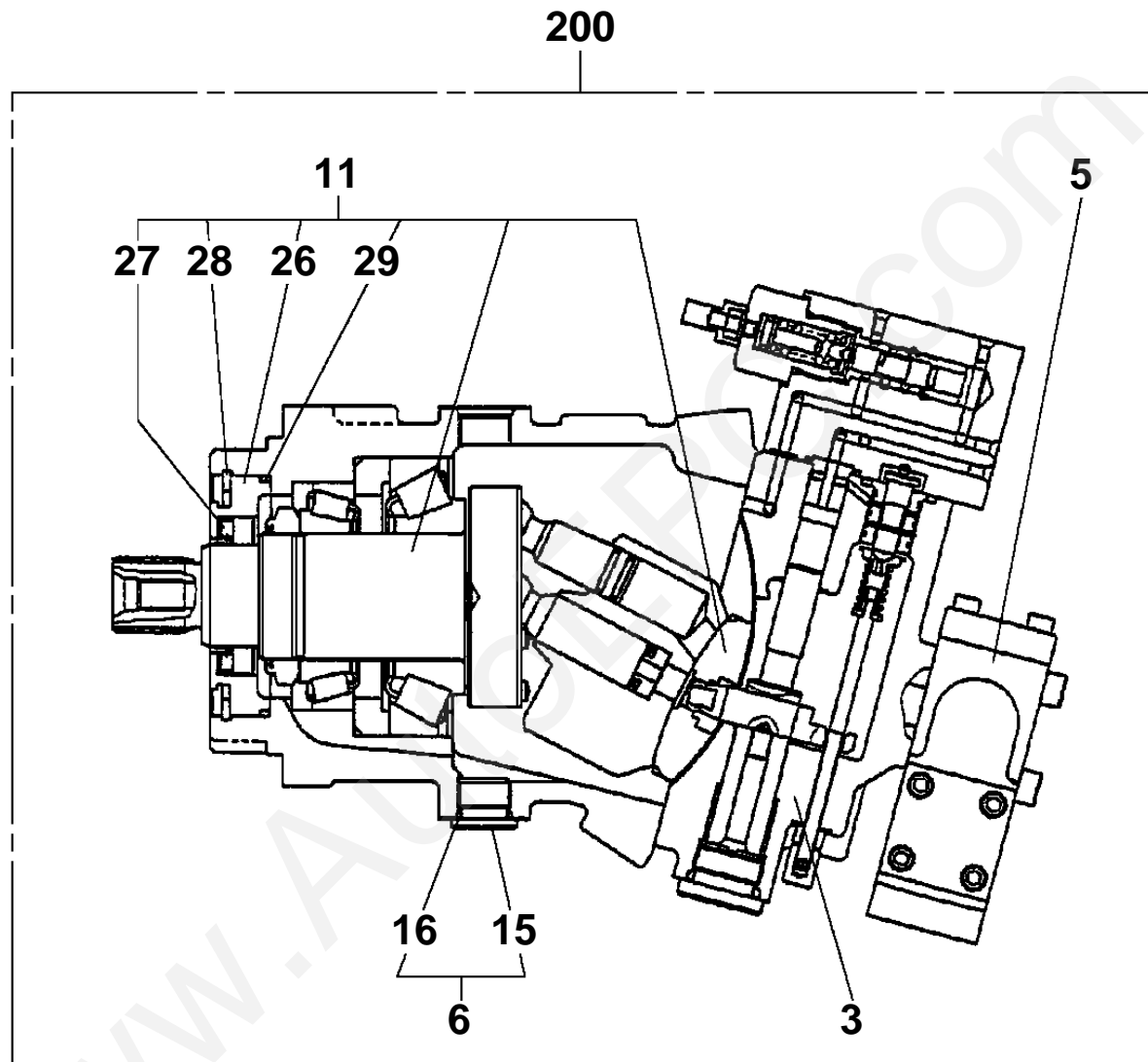


GR-120N-1-00111 12T,X,WINCH(W/O FREE-FALL),JIB(PT)

Pos No.	Parts No	Parts Name	Qty	Unit	Technical Data	Serial No (Start)	Serial No (End)	Remarks	Pages
4	36662215010	BEARING	1						
5	36662015020	RING,RETAINING	1						
6	36662215070	ADAPTER (SEAL)	1						
7	91001205000	O-RING	1		1A G50				
8	36662345020	SEAL,OIL	1						
9	36662015050	RING,RETAINING	1						
16	36662215020	SPACER (SPRING)	2						
17	36662215030	RING,RETAINING	1						
18	36662215040	SPRING	1						
23	36662345030	GASKET	1						
26	36662015080	KEY	1						
27	36662215060	BEARING,NEEDLE	1						
28	36662215080	RING,RETAINING	1						
30	36662345010	SEAL KIT	1						
50	36662210000	MOTOR,HYDRAULIC (AIR CONDITIONER)	1						

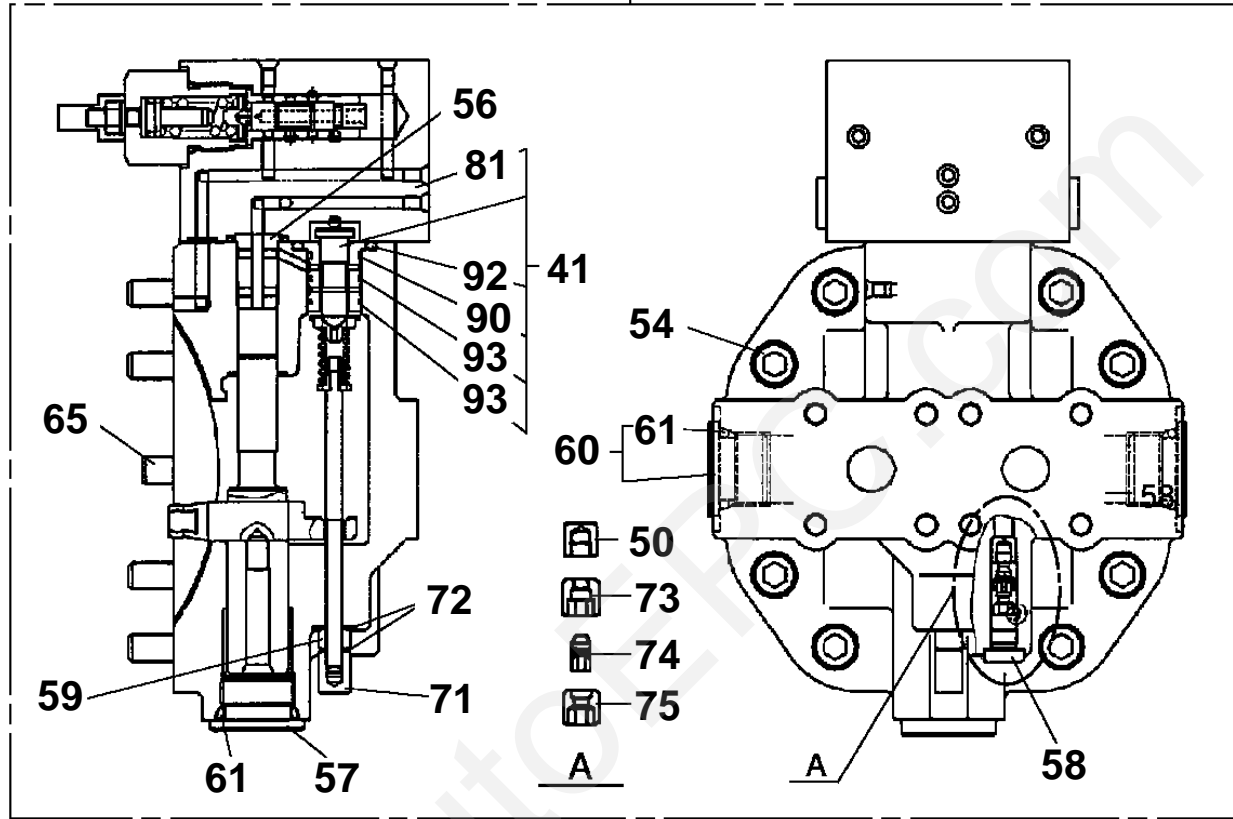
www.AutoEPC.com

GR-120N-1-00111 12T,X,WINCH(W/O FREE-FALL),JIB(P
PI1010179-00 MOTOR,HYDRAULIC (WINCHI)

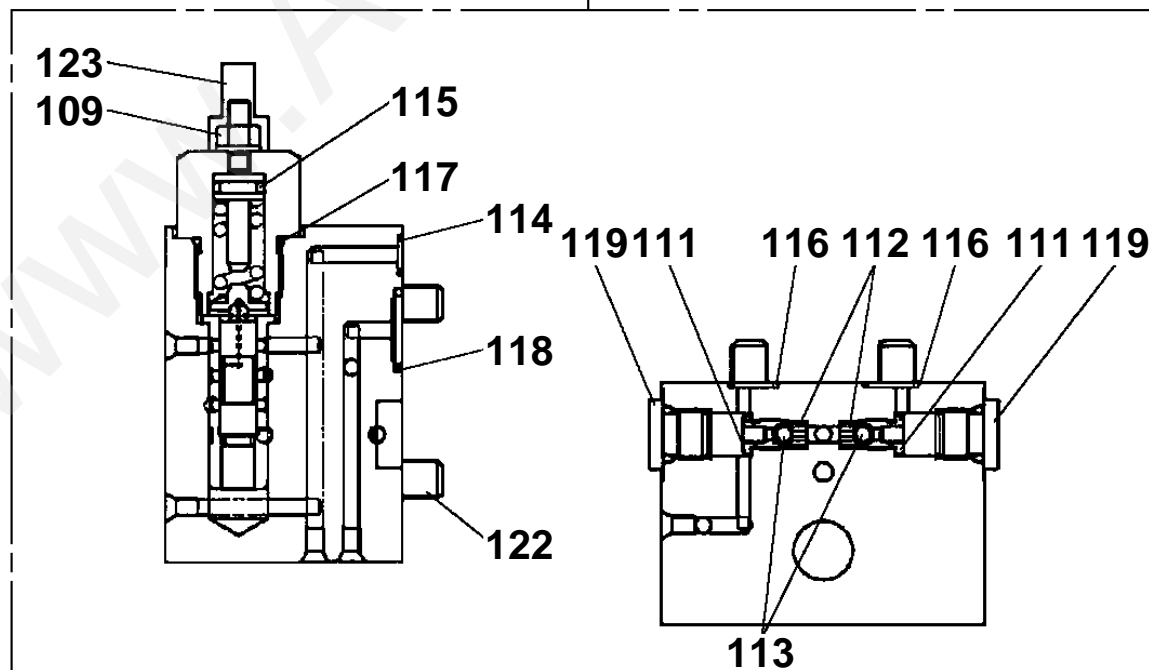


GR-120N-1-00111 12T,X,WINCH(W/O FREE-FALL),JIB(P.T)
 PI1010179-00 MOTOR,HYDRAULIC (WINCHI)

3



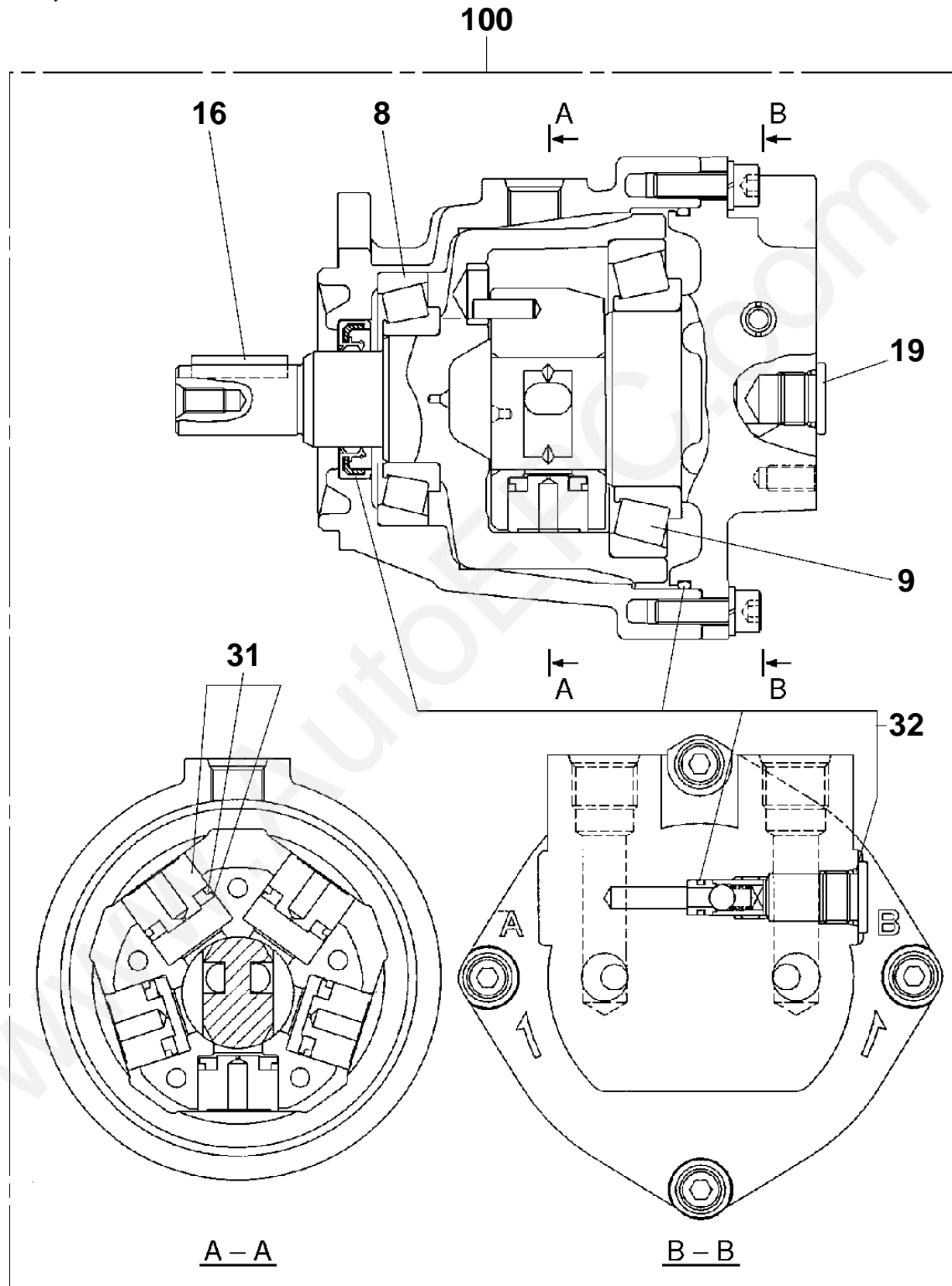
81



GR-120N-1-00111 12T,X,WINCH(W/O FREE-FALL),JIB(PT)

Pos No.	Parts No	Parts Name	Qty	Unit	Technical Data	Serial No (Start)	Serial No (End)	Remarks	Pages
3	36663295020	CONTROLLER	1						000137
5	36605620001	VALVE,COUNTERBALANCE	1						
6	36653245050	PLUG ASSY	1						
11	36663295010	ROTARY ASSY	1				FD0182		
	36663295012	ROTARY ASSY	1			FD0183			
15	36660595010	PLUG	1						
16	91002801800	O-RING	1		1B P18				
26	36663295040	CASE (SEAL)	1						
27	36663295050	SEAL,OIL	1						
28	80602110950	RING,RITAINING	1		95				
29	91001209000	O-RING	1		1A G90				
41	36663295060	CONTROLLER	1						
50	36663295070	ORIFICE	1						
54	90131510035	BOLT,HEXAGON SOCKET	8		M10X35				
56	36663295080	PIECE,DISTANCE	1						
57	36663295090	PLUG	1						
58	36651835110	PLUG	1						
59	36663295100	NUT	1						
60	36632685360	PLUG (WITH O-RING)	2						
61	91002802400	O-RING	1		1B P24				
65	36663295110	PIN	2		10X20		FD0182		
	36663305040	PIN (PARALLEL)	2			FD0183			
71	36663295120	NUT,CAP	1						
72	36652135030	SEAL,FASTENER	2						
73	36663295130	GUIDE	1						
74	36663295140	ORIFICE	1						
75	36663295150	GUIDE	1						
81	36663295160	REGULATOR ASSY	1						
90	36646085020	O-RING	1						
92	36663295170	O-RING	1						
93	36663295180	RING,PISTON	2						
109	90201700600	NUT	1		M6				
111	36653445430	BODY ASSY	2						
112	36653445350	GUIDE	2						
113	36634675080	BALL,STEEL	2		4				
114	91001100700	O-RING	1		1A P7				
115	91001101001	O-RING	1		1A P10A				
116	91002801000	O-RING	2		1B P10				
117	91002802100	O-RING	1		1B P21				
118	36651735130	O-RING	1						
119	36632465230	PLUG	2		PF1/4				
122	90131510070	BOLT,HEXAGON SOCKET	4		M10X70				
123	36662625060	CAP	1						
200	36663290001	MOTOR,HYDRAULIC (WINCHI)	1						

GR-120N-1-00111 12T,X,WINCH(W/O FREE-FALL),JIB(P
PI1010186-00 MOTOR,HYDRAULIC

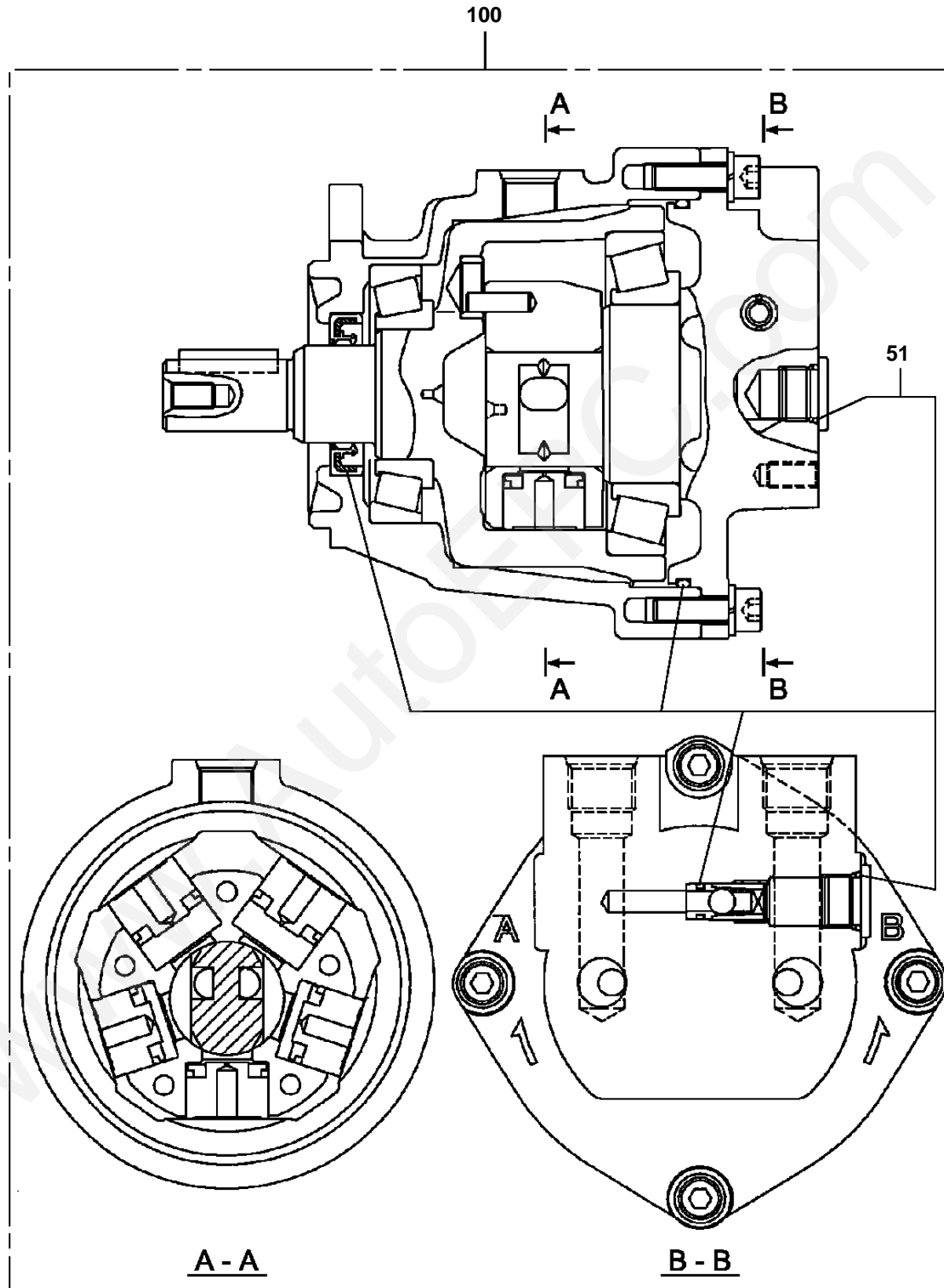


GR-120N-1-00111 12T,X,WINCH(W/O FREE-FALL),JIB(PT)

Pos No.	Parts No	Parts Name	Qty	Unit	Technical Data	Serial No (Start)	Serial No (End)	Remarks	Pages
8	36663445010	BEARING,TAPER ROLLER	1						
9	36663445020	BEARING,TAPER ROLLER	1						
16	36662725010	KEY	1						
19	36663445030	PLUG	3						
31	36663445040	PISTON ASSY	1						
32	36663445050	SEAL KIT	1						
100	36663440001	MOTOR,HYDRAULIC	1						

www.AutoEPC.com

GR-120N-1-00111 12T,X,WINCH(W/O FREE-FALL),JIB(P
PI1010216-00 MOTOR,HYDRAULIC

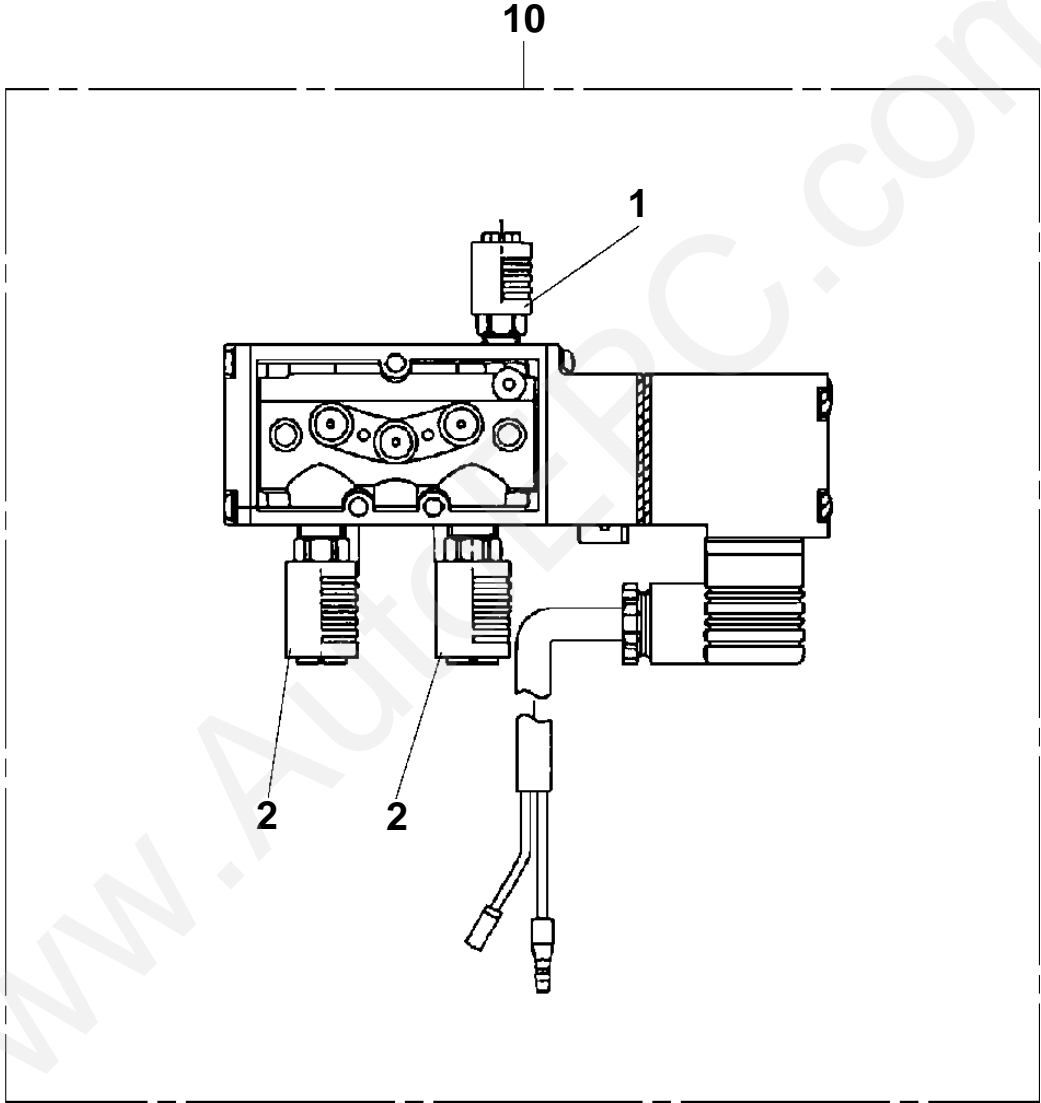


GR-120N-1-00111 12T,X,WINCH(W/O FREE-FALL),JIB(PT)

Pos No.	Parts No	Parts Name	Qty	Unit	Technical Data	Serial No (Start)	Serial No (End)	Remarks	Pages
51	36663445050	SEAL KIT	1						
100	36663440003	MOTOR,HYDRAULIC	1						

www.AutoEPC.com

GR-120N-1-00111 12T,X,WINCH(W/O FREE-FALL),JIB(P.T)
PI1120131-02 VALVE,SOLENOID

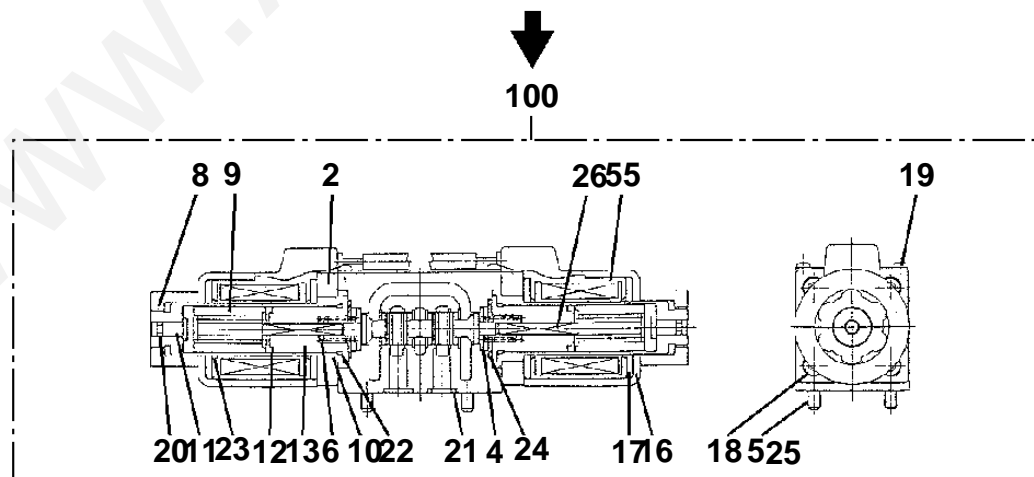
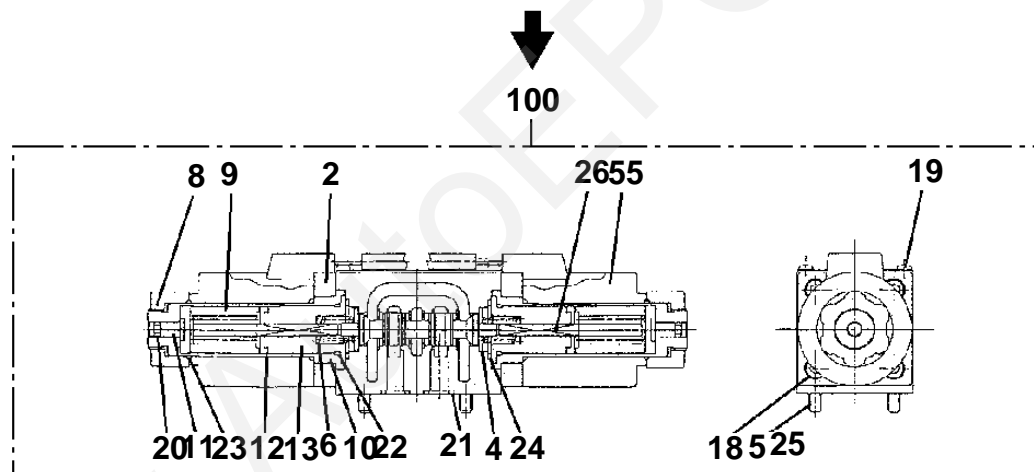
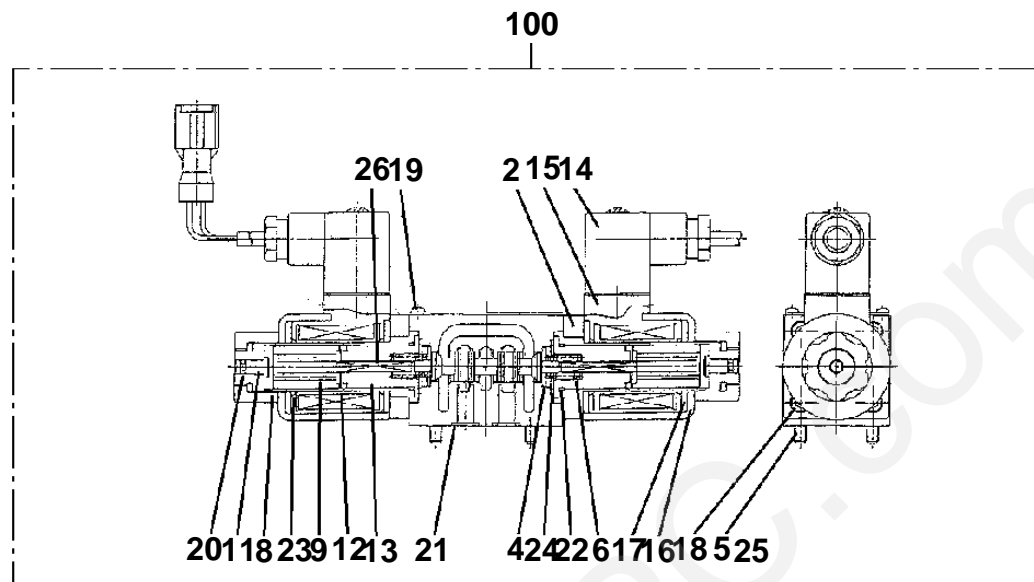


GR-120N-1-00111 12T,X,WINCH(W/O FREE-FALL),JIB(PT)

Pos No.	Parts No	Parts Name	Qty	Unit	Technical Data	Serial No (Start)	Serial No (End)	Remarks	Pages
1	36644595080	FILTER	1						
2	34711041300	FILTER	2						
10	36644590000	VALVE,SOLENOID	1						

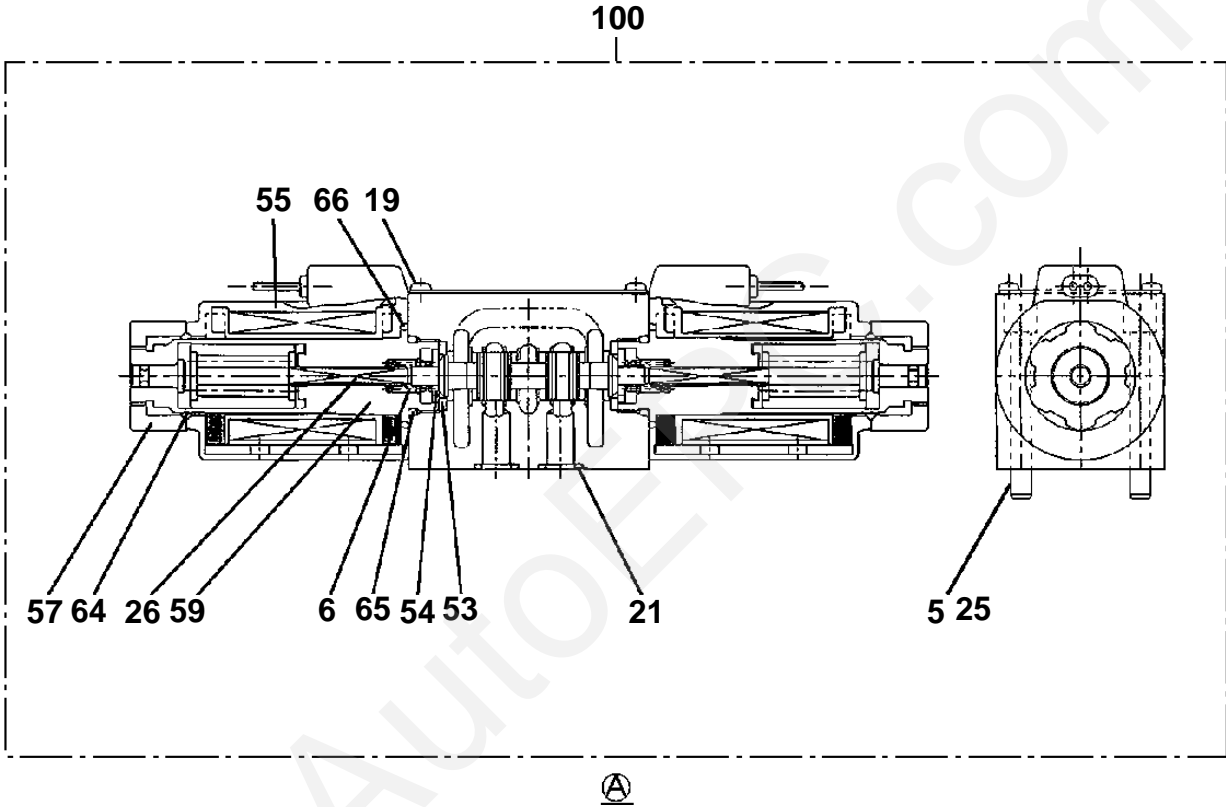
www.AutoEPC.com

GR-120N-1-00111 12T,X,WINCH(W/O FREE-FALL),JIB(P.T)
PI1120135-04 VALVE,SOLENOID (NACHI)



Ⓐ

**GR-120N-1-00111 12T,X,WINCH(W/O FREE-FALL),JIB(PT)
PI1120135-04 VALVE,SOLENOID (NACHI)**

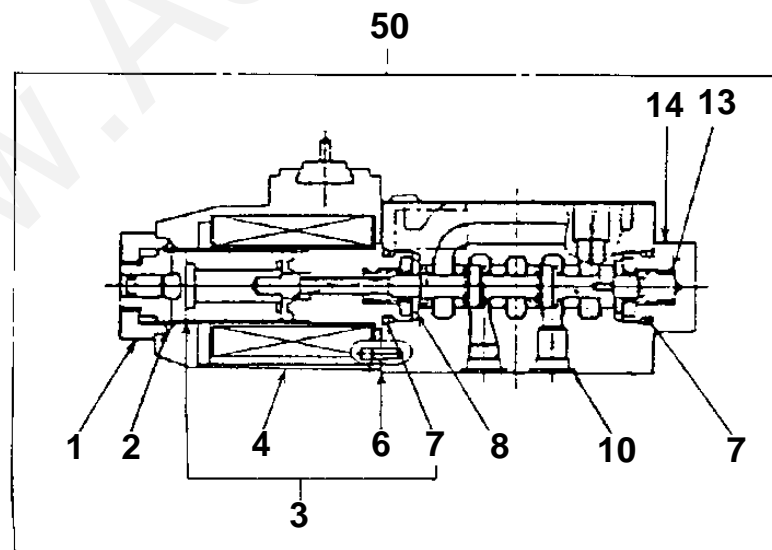
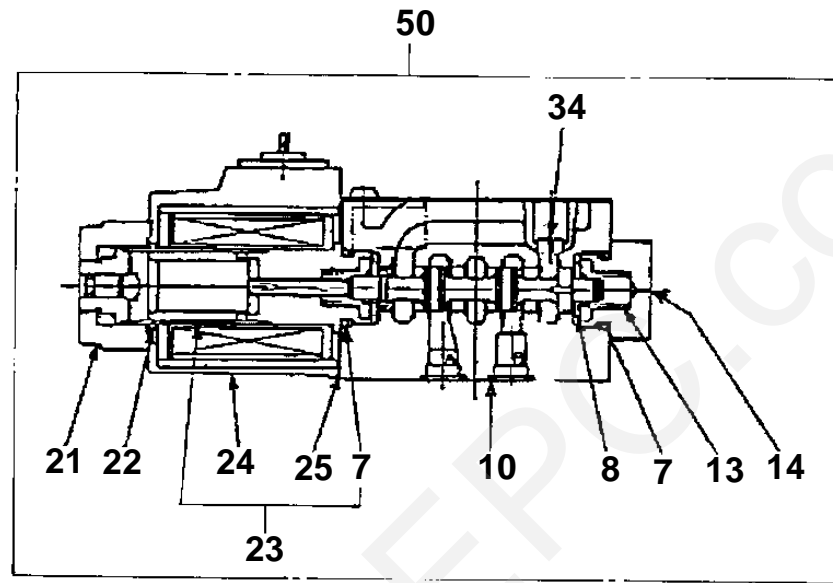


GR-120N-1-00111 12T,X,WINCH(W/O FREE-FALL),JIB(PT)

Pos No.	Parts No	Parts Name	Qty	Unit	Technical Data	Serial No (Start)	Serial No (End)	Remarks	Pages
5	36640175040	SPACER	4						
6	36641687560	SPRING (C)	2						
19	36646375030	SCREW	2						
21	91000501200	O-RING	4						
25	90131905045	BOLT,HEXAGON SOCKET	4		M5X45				
26	36641687570	ROD	2						
53	36641687520	RETAINER (A)	2						
54	36641687530	RETAINER (B)	2						
55	36646375050	COIL,SOLENOID	2						
57	36642915020	NUT	2						
59	36641687580	GUIDE (SOLENOID)	2						
64	91001102000	O-RING	2		1A P20				
65	91002801800	O-RING	2		1B P18				
66	91001002500	O-RING	2		S25				
100	36645730000	VALVE,SOLENOID (NACHI)	1						

www.AutoEPC.com

GR-120N-1-00111 12T,X,WINCH(W/O FREE-FALL),JIB(P.T)
PI1120142-01 VALVE,SOLENOID

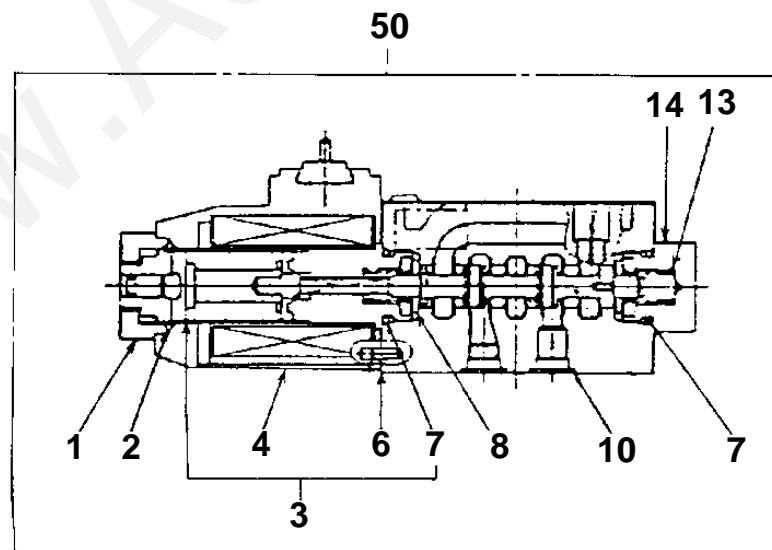
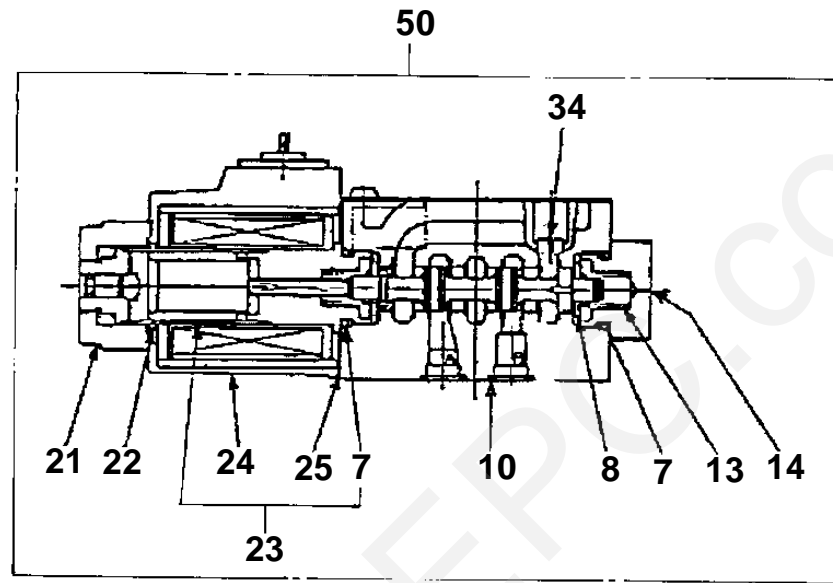


GR-120N-1-00111 12T,X,WINCH(W/O FREE-FALL),JIB(PT)

Pos No.	Parts No	Parts Name	Qty	Unit	Technical Data	Serial No (Start)	Serial No (End)	Remarks	Pages
7	36642765050	O-RING	2						
8	36642765060	WASHER (CENTER)	2						
10	91000501200	O-RING	4						
13	36643435020	SPRING	2						
14	36642765070	PLUG	1						
21	36643435030	NUT	1						
22	91000501900	O-RING	1						
23	36643435050	CORE ASSY (SOLENOID)	1						
24	36645925020	COIL,SOLENOID	1						
25	36643435070	PACKING	1						
34	36643435040	PIN,SPRING	4						
50	36645920000	VALVE,SOLENOID	1						

www.AutoEPC.com

GR-120N-1-00111 12T,X,WINCH(W/O FREE-FALL),JIB(P.T)
PI1120142-01 VALVE,SOLENOID

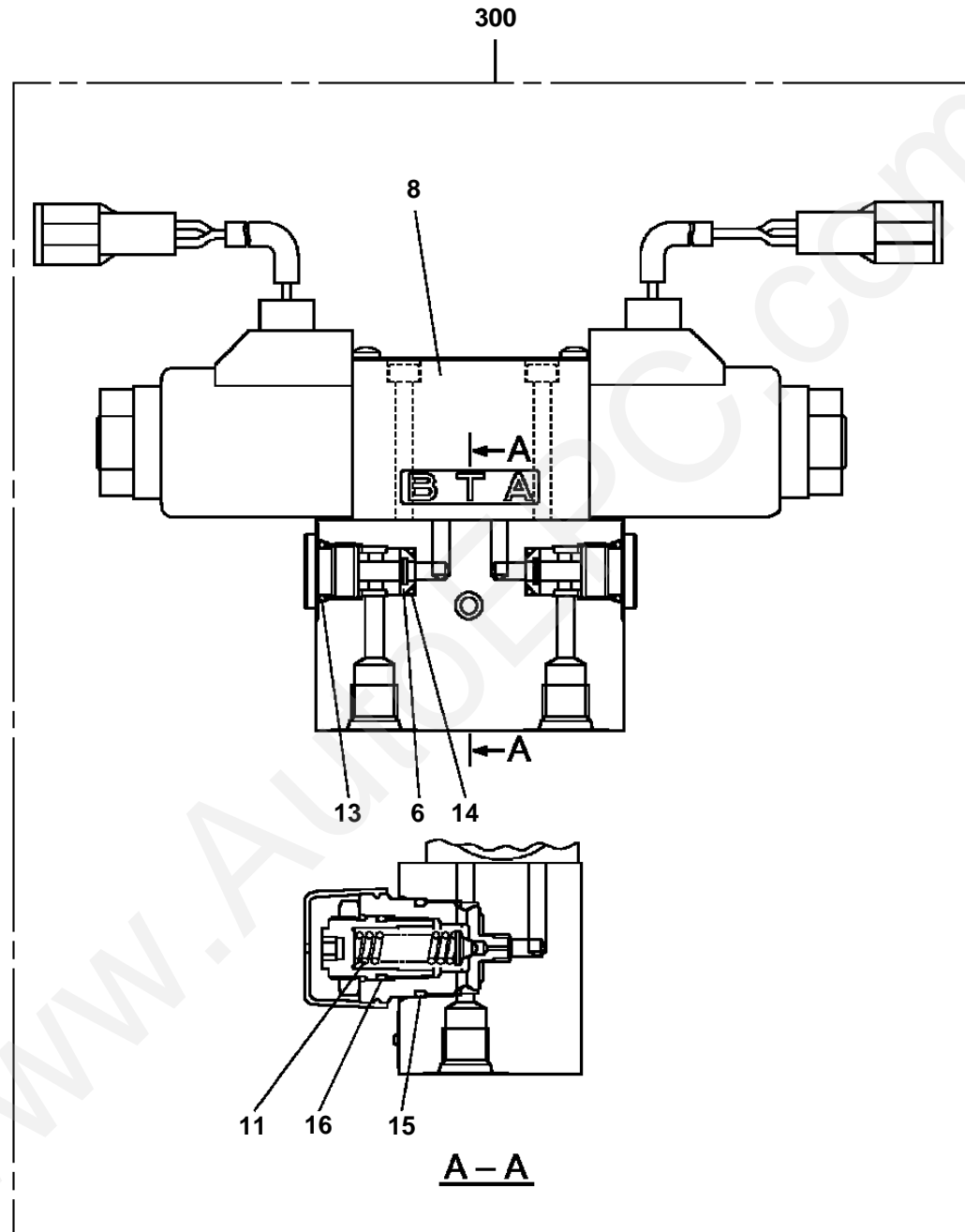


GR-120N-1-00111 12T,X,WINCH(W/O FREE-FALL),JIB(PT)

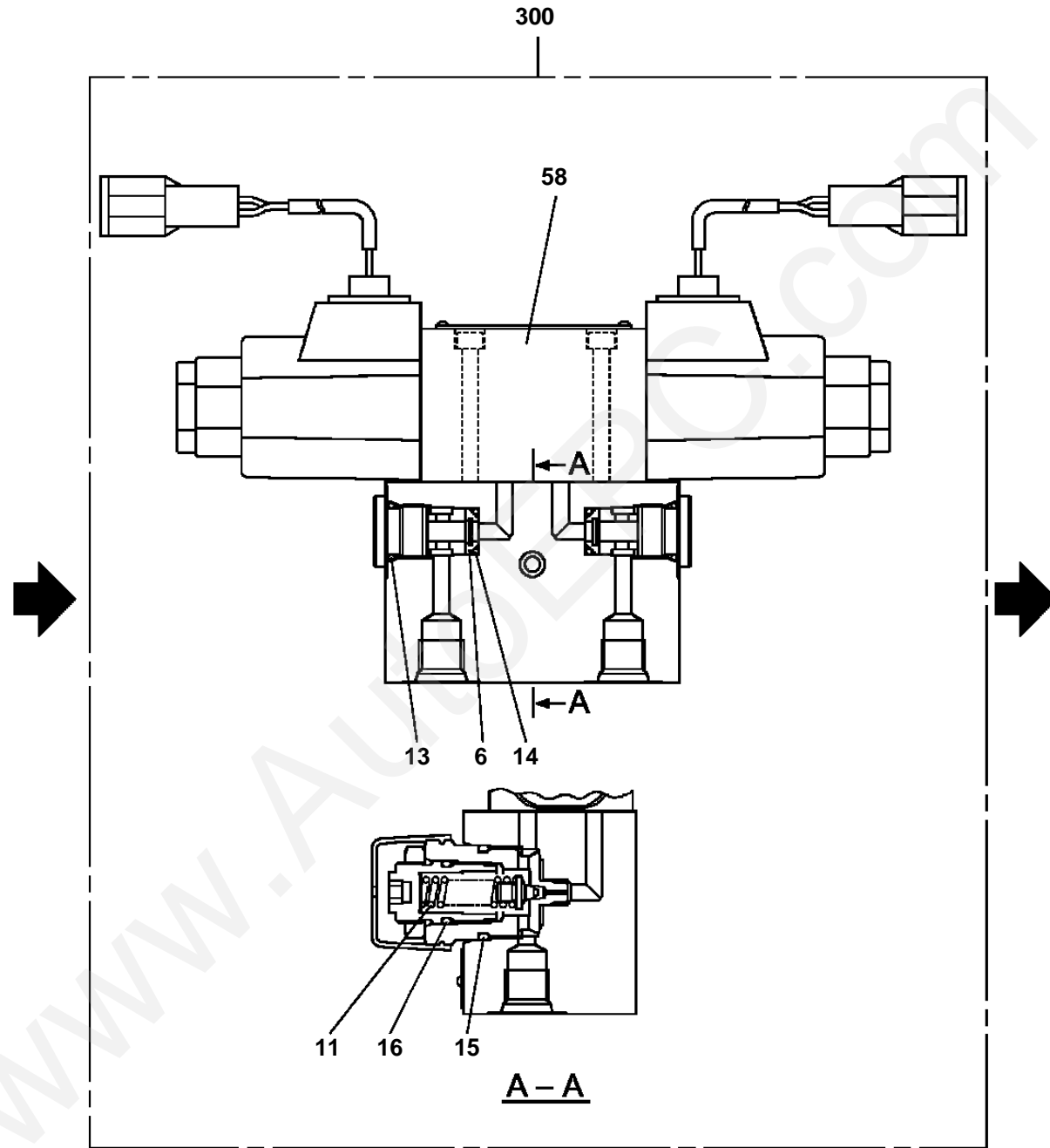
Pos No.	Parts No	Parts Name	Qty	Unit	Technical Data	Serial No (Start)	Serial No (End)	Remarks	Pages
7	36642765050	O-RING	2						
8	36642765060	WASHER (CENTER)	2						
10	91000501200	O-RING	4						
13	36643435020	SPRING	2						
14	36642765070	PLUG	1						
21	36643435030	NUT	1						
22	91000501900	O-RING	1						
23	36643435050	CORE ASSY (SOLENOID)	1						
24	36645925020	COIL,SOLENOID	1						
25	36643435070	PACKING	1						
34	36643435040	PIN,SPRING	4						
50	36645940000	VALVE,SOLENOID	1						

www.AutoEPC.com

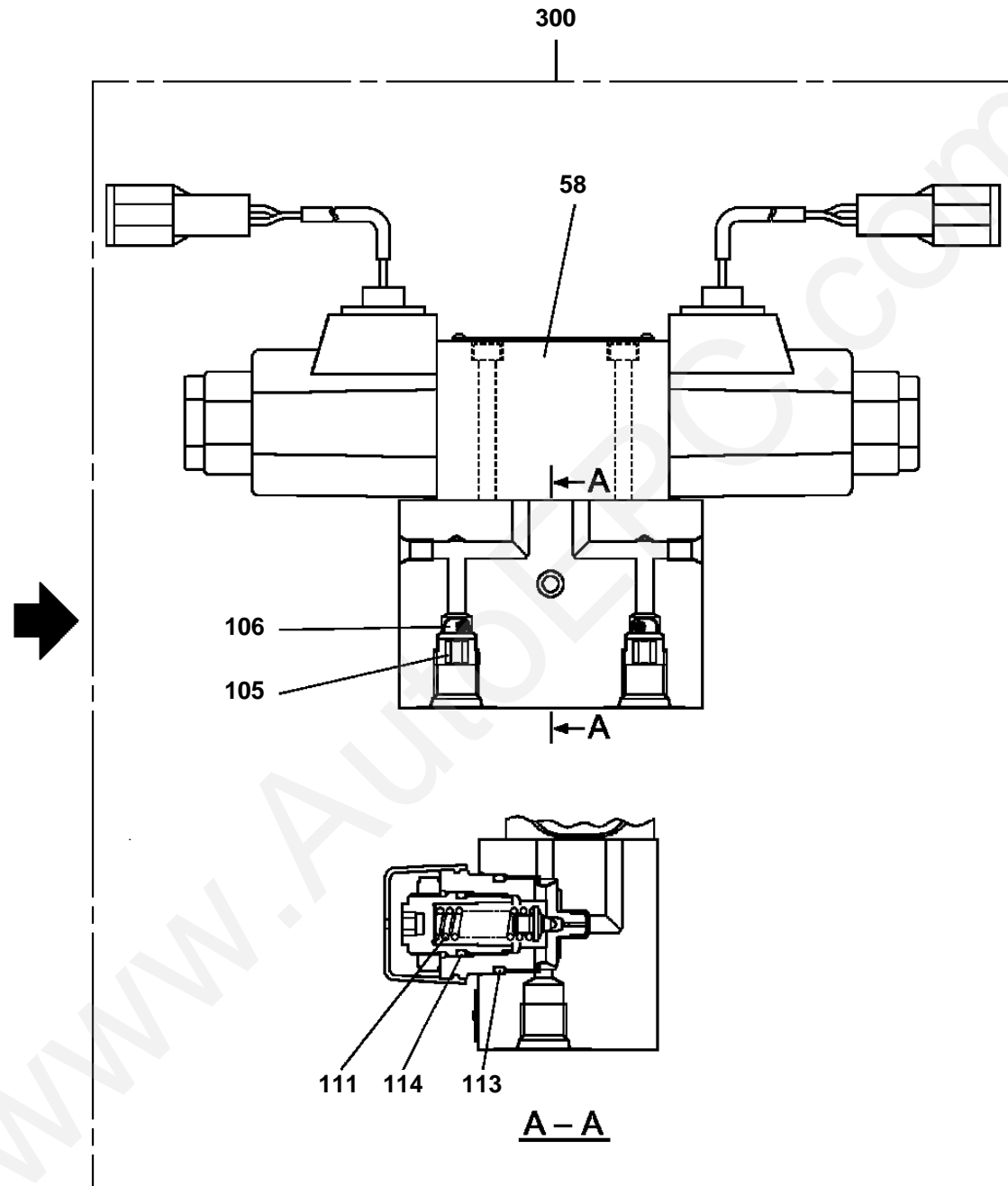
GR-120N-1-00111 12T,X,WINCH(W/O FREE-FALL),JIB(P.T)
PI1120161-02 VALVE,SOLENOID



GR-120N-1-00111 12T,X,WINCH(W/O FREE-FALL),JIB(P.T)
PI1120161-02 VALVE,SOLENOID



GR-120N-1-00111 12T,X,WINCH(W/O FREE-FALL),JIB(P.T)
PI1120161-02 VALVE,SOLENOID

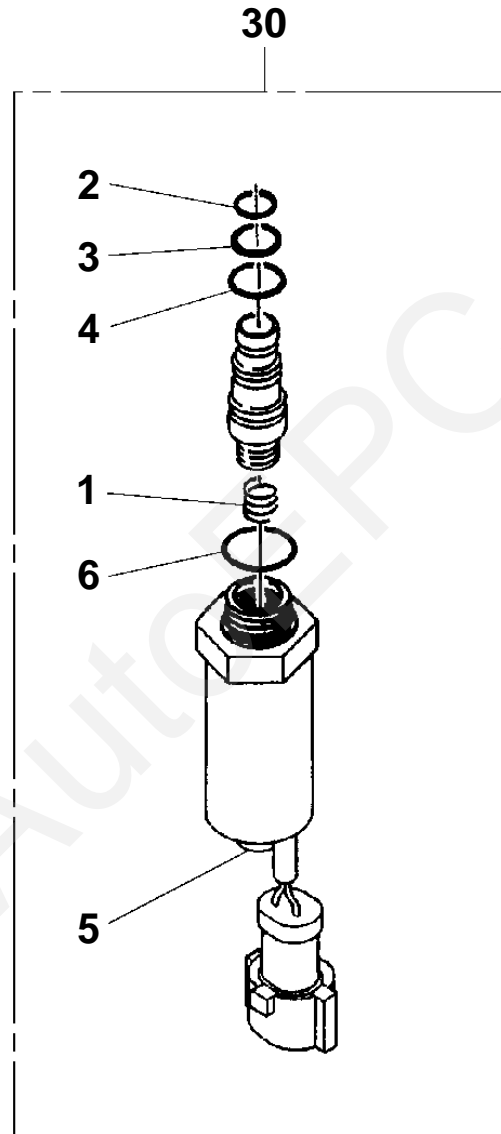


GR-120N-1-00111 12T,X,WINCH(W/O FREE-FALL),JIB(PT)

Pos No.	Parts No	Parts Name	Qty	Unit	Technical Data	Serial No (Start)	Serial No (End)	Remarks	Pages
6	36645545010	ELEMENT,FILTER	2				FD1416		000116
8	36645775010	VALVE,SOLENOID	1				FD0925		
11	36645775030	SPRING	1				FD1416		
13	91002801400	O-RING	2		1B P14		FD1416		
14	91001101001	O-RING	2		1A P10A		FD1416		
15	91000511900	O-RING	1		AS568-119		FD1416		
16	36632465390	O-RING	1				FD1416		
58	36645775011	VALVE,SOLENOID	1			FD0926			
105	36648875010	RETAINER	2			FD1417			
106	36646085040	ELEMENT,FILTER	2			FD1417			
111	36645775030	SPRING	1			FD1417			
113	91000511900	O-RING	1		AS568-119	FD1417			
114	36632465390	O-RING	1			FD1417			
300	36645770000	VALVE,SOLENOID	1						

www.AutoEPC.com

GR-120N-1-00111 12T,X,WINCH(W/O FREE-FALL),JIB(P
PI1120171-03 VALVE,SOLENOID

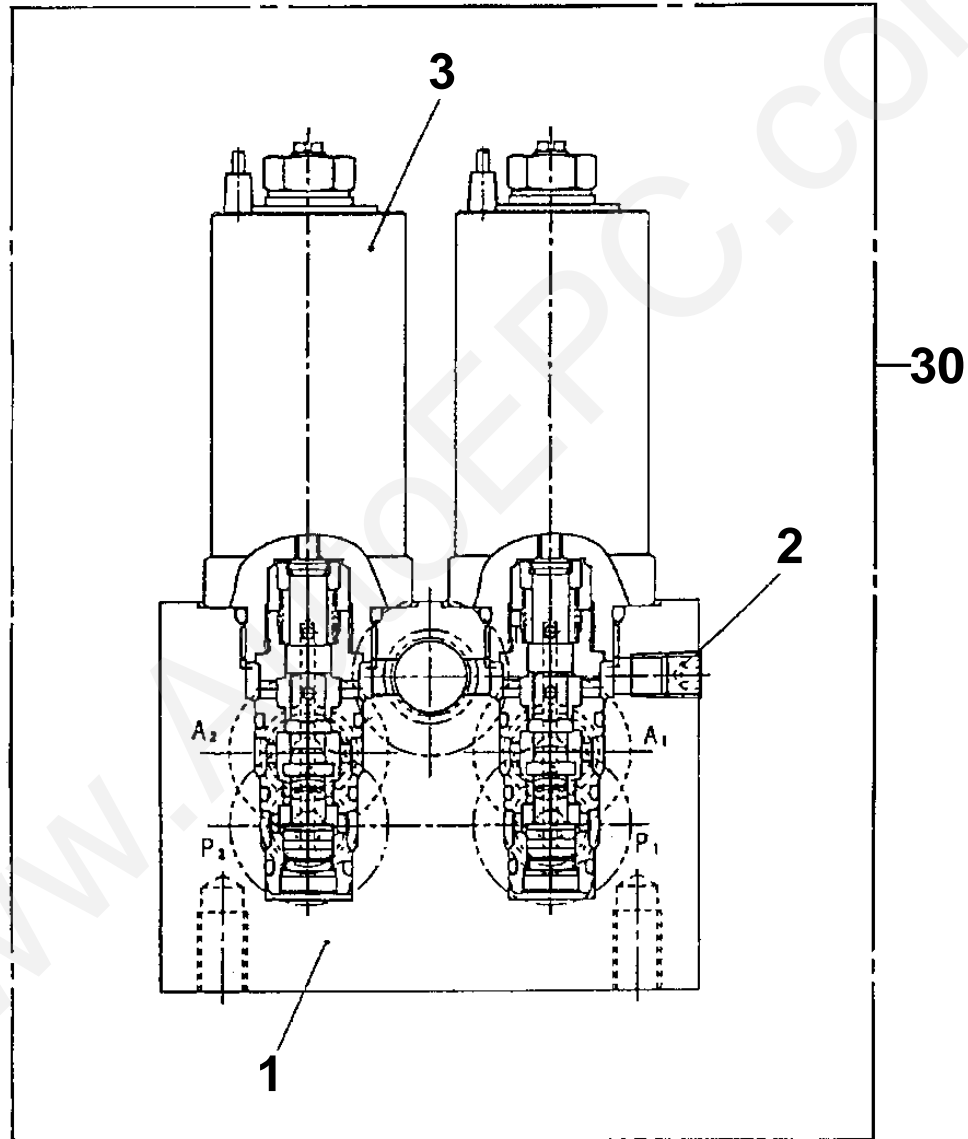


GR-120N-1-00111 12T,X,WINCH(W/O FREE-FALL),JIB(PT)

Pos No.	Parts No	Parts Name	Qty	Unit	Technical Data	Serial No (Start)	Serial No (End)	Remarks	Pages
1	36645835010	SPRING	1						
2	36645835020	O-RING	1						
3	36645835030	O-RING	1						
4	36645835040	O-RING	1		AS568-015				
5	36645835060	NUT,SEAL	1						
6	36646605110	O-RING	1						
30	36645830000	VALVE,SOLENOID	1						

www.AutoEPC.com

GR-120N-1-00111 12T,X,WINCH(W/O FREE-FALL),JIB(P.T)
PI1120186-00 VALVE,SOLENOID

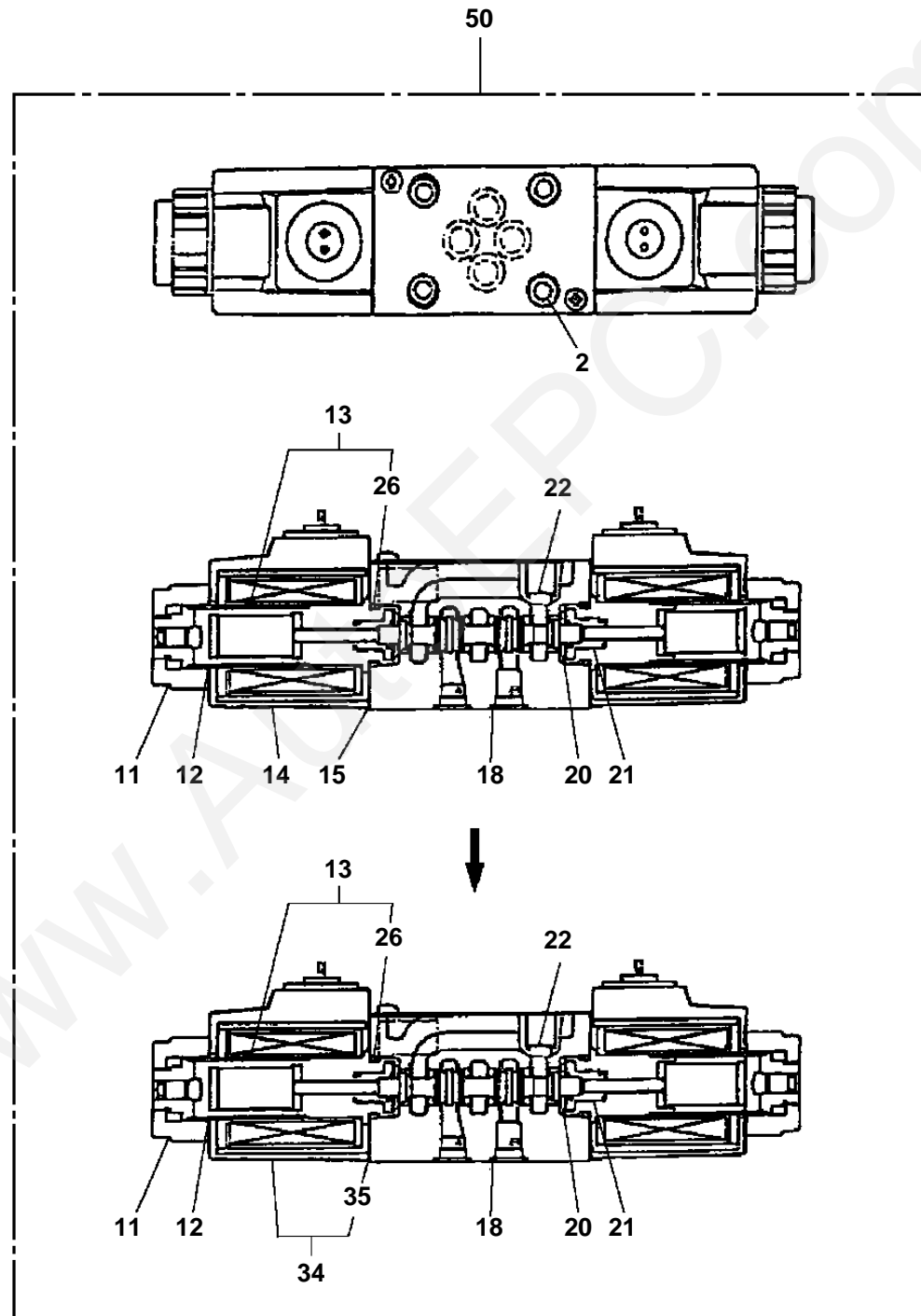


GR-120N-1-00111 12T,X,WINCH(W/O FREE-FALL),JIB(PT)

Pos No.	Parts No	Parts Name	Qty	Unit	Technical Data	Serial No (Start)	Serial No (End)	Remarks	Pages
1	36730025010	CASING	1						
2	36653355010	PLUG	1						
3	36730065010	VALVE,SOLENOID	2						
30	36730060000	VALVE,SOLENOID	1						

www.AutoEPC.com

GR-120N-1-00111 12T,X,WINCH(W/O FREE-FALL),JIB(P.T)
PI1120233-01 VALVE,SOLENOID (TOKIMEC)

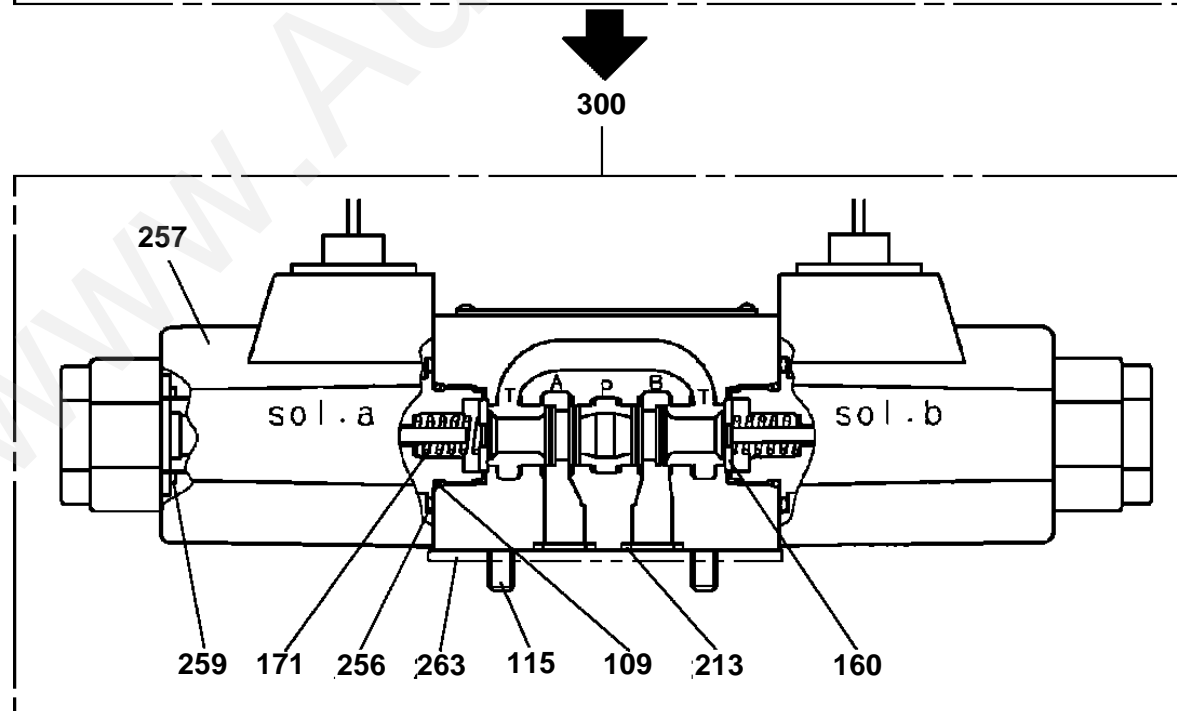
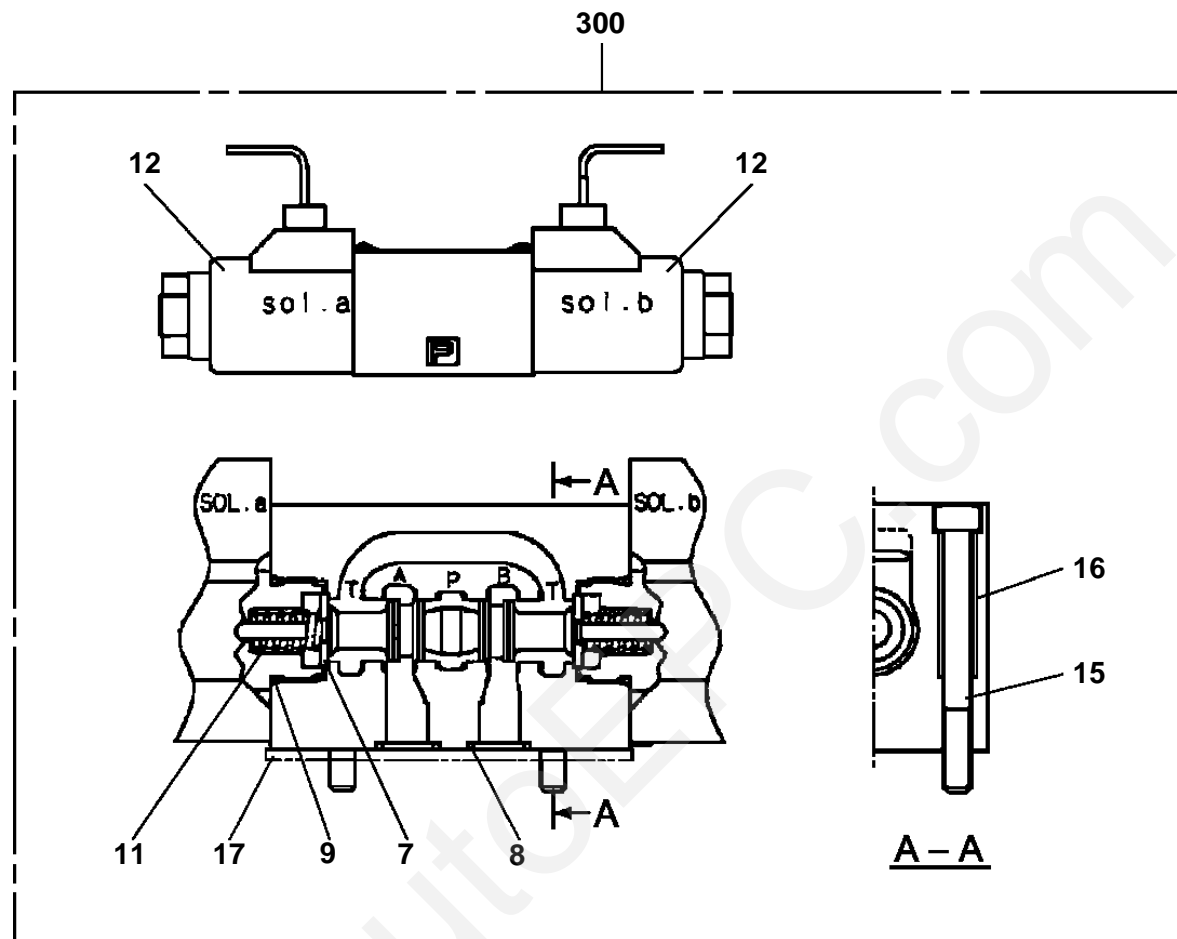


GR-120N-1-00111 12T,X,WINCH(W/O FREE-FALL),JIB(PT)

Pos No.	Parts No	Parts Name	Qty	Unit	Technical Data	Serial No (Start)	Serial No (End)	Remarks	Pages
2	90131905045	BOLT,HEXAGON SOCKET	4		M5X45				
11	36643435030	NUT	2				FD1306		
	36741765010	NUT	2			FD1307			
12	91000501900	O-RING	2				FD1306		
	36741765020	O-RING	2			FD1307			
13	36646545030	CORE ASSY (SOLENOID)	2				FD1306		
	36646545040	CORE ASSY (SOLENOID)	2			FD1307			
14	36645925020	COIL,SOLENOID	2				FD1306		
15	36643435070	PACKING	2				FD1306		
18	91000501200	O-RING	4						
20	36642765060	WASHER (CENTER)	2						
21	36646545020	SPRING	2						
22	36643435040	PIN,SPRING	4						
26	36642765050	O-RING	2						
34	36741765040	COIL,SOLENOID	2			FD1307			
35	36648475110	O-RING	2			FD1307			
50	36647900000	VALVE,SOLENOID (TOKIMEC)	1						

www.AutoEPC.com

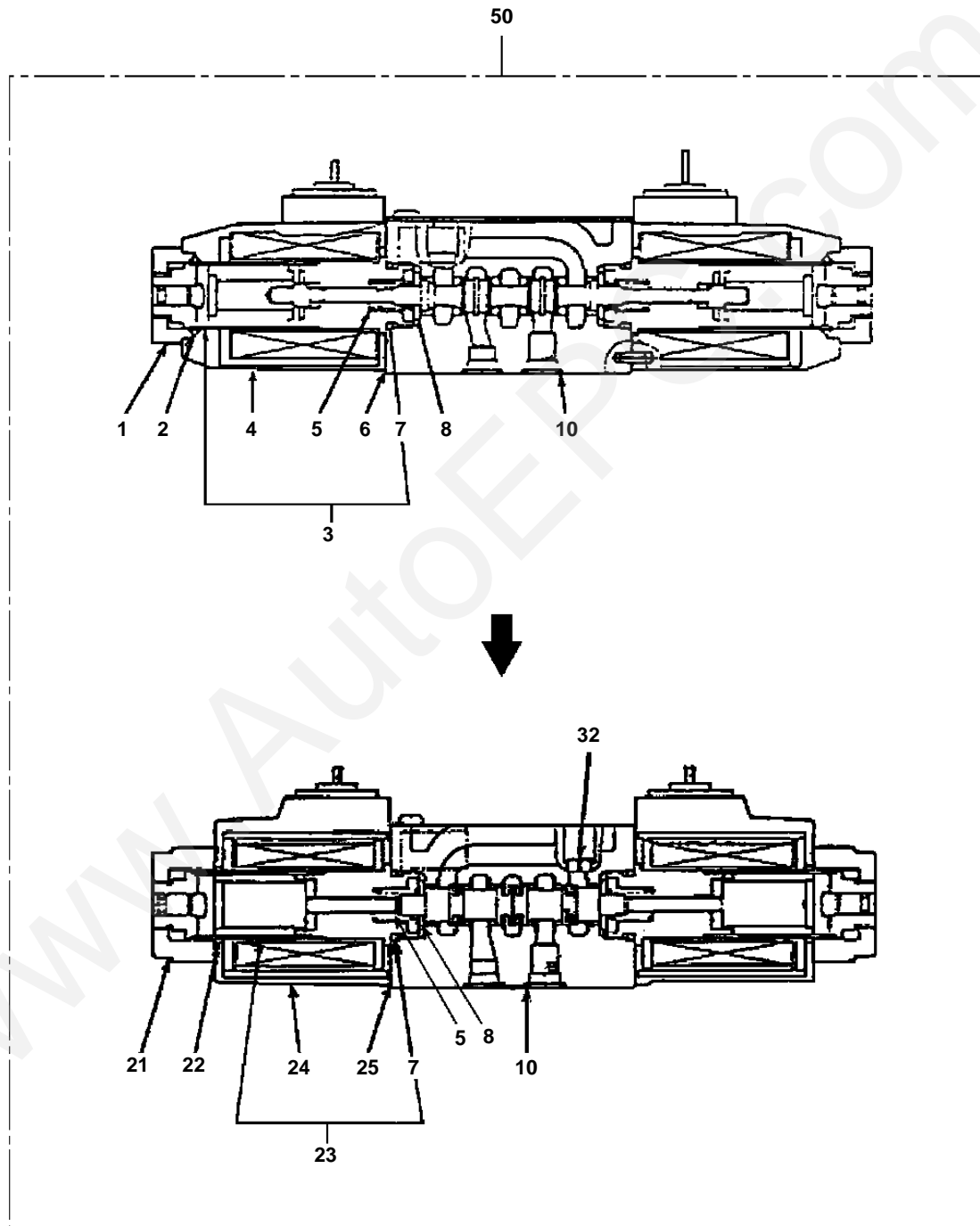
GR-120N-1-00111 12T,X,WINCH(W/O FREE-FALL),JIB(PT)
PI1120234-01 VALVE,SOLENOID (UCHIDA)



GR-120N-1-00111 12T,X,WINCH(W/O FREE-FALL),JIB(PT)

Pos No.	Parts No	Parts Name	Qty	Unit	Technical Data	Serial No (Start)	Serial No (End)	Remarks	Pages
7	36640085015	RETAINER	2				FD0333		
8	36642935040	RING	4				FD0333		
9	36646085020	O-RING	2				FD0333		
11	36640085025	SPRING	2				FD0333		
12	36646085030	SOLENOID	2				FD0333		
15	90131505050	BOLT,HEXAGON SOCKET	4		M5X50		FD0333		
16	36647185010	PIN,SPRING	4				FD0333		
17	36647185020	PROTECTOR	1				FD0333		
109	36642935060	O-RING	2			FD0334	FD1864		
	36646085020	O-RING	2			FD1865			
115	90131505050	BOLT,HEXAGON SOCKET	4		M5X50	FD0334	FD1864		
	36642935070	BOLT,HEXAGON SOCKET	4		M5X30	FD1865			
160	36640085015	RETAINER	2			FD0334			
171	36640085025	SPRING	2			FD0334			
213	36642935040	RING	4			FD0334			
256	36602555010	O-RING	2			FD0334			
257	36646085031	SOLENOID	2			FD0334			
259	36649855100	O-RING	2			FD0334			
263	36647895010	PROTECTOR	1			FD0334	FD1864		
	36611665190	PLATE	1			FD1865			
300	36647890000	VALVE,SOLENOID (UCHIDA)	1						

GR-120N-1-00111 12T,X,WINCH(W/O FREE-FALL),JIB(P
PI1120238-01 VALVE,SOLENOID

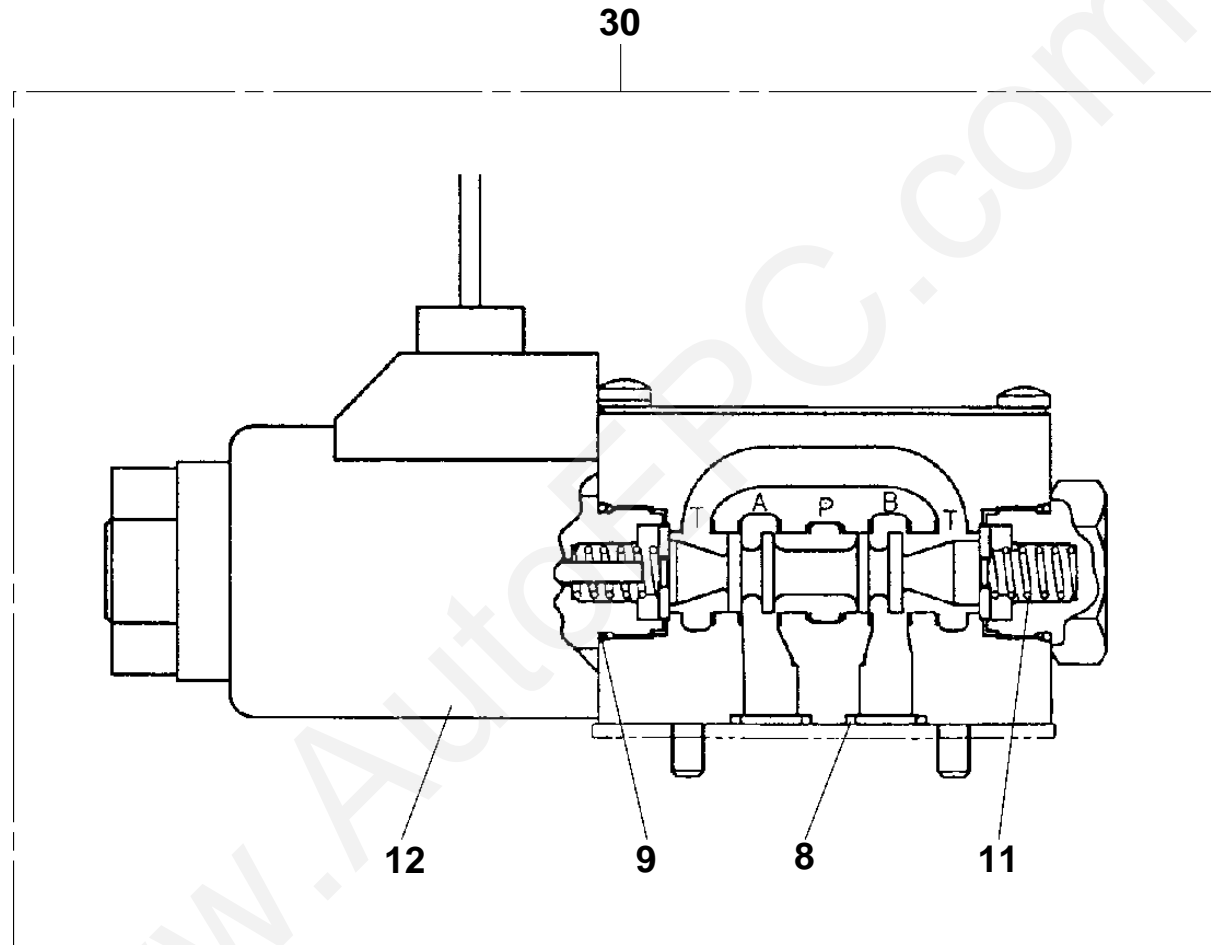


GR-120N-1-00111 12T,X,WINCH(W/O FREE-FALL),JIB(PT)

Pos No.	Parts No	Parts Name	Qty	Unit	Technical Data	Serial No (Start)	Serial No (End)	Remarks	Pages
5	36642765080	SPRING	2						
7	36642765050	O-RING	2						
8	36642765060	WASHER (CENTER)	2						
10	91000501200	O-RING	4						
21	36643435030	NUT	2						
22	91000501900	O-RING	2						
23	36642765090	CORE ASSY (SOLENOID)	2						
24	36645925020	COIL,SOLENOID	2						
25	36643435070	PACKING	2						
32	36643435040	PIN,SPRING	4						
50	36645930000	VALVE,SOLENOID	1						

www.AutoEPC.com

GR-120N-1-00111 12T,X,WINCH(W/O FREE-FALL),JIB(P.T)
PI1120265-00 VALVE,SOLENOID

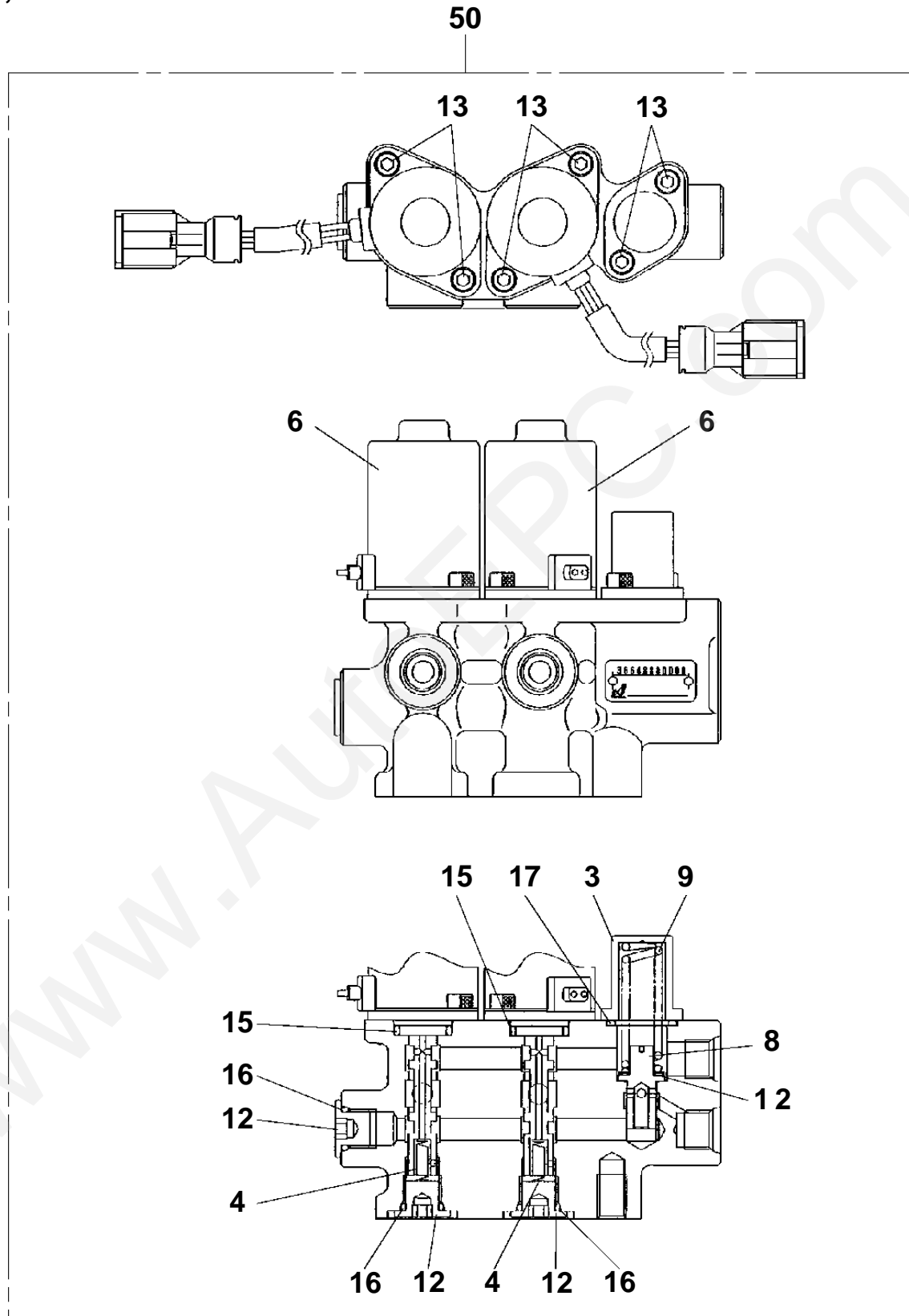


GR-120N-1-00111 12T,X,WINCH(W/O FREE-FALL),JIB(PT)

Pos No.	Parts No	Parts Name	Qty	Unit	Technical Data	Serial No (Start)	Serial No (End)	Remarks	Pages
8	36642935040	RING	4						
9	36646085020	O-RING	2						
11	36640085025	SPRING	2						
12	36646085030	SOLENOID	1						
30	36645900000	VALVE,SOLENOID	1						

www.AutoEPC.com

GR-120N-1-00111 12T,X,WINCH(W/O FREE-FALL),JIB(P.T)
PI1120267-00 VALVE,SOLENOID

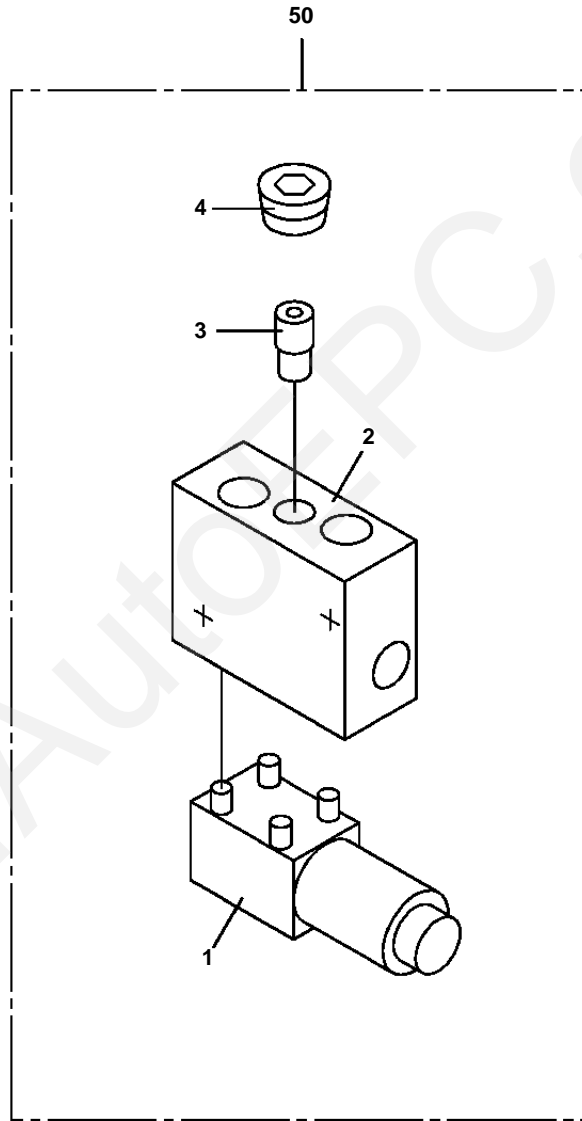


GR-120N-1-00111 12T,X,WINCH(W/O FREE-FALL),JIB(PT)

Pos No.	Parts No	Parts Name	Qty	Unit	Technical Data	Serial No (Start)	Serial No (End)	Remarks	Pages
1	36648885010	SHIM (T=0.5)	1						
2	36648885020	SHIM (T=0.2)	2						
3	36648885030	COVER (SPRING)	1						
4	36648885040	SPRING	2						
6	36648885050	SOLENOID	2						
8	36648885060	PLUNGER	1						
9	36648885070	SPRING	1						
12	36648885080	PLUG	3						
13	90131905012	BOLT,HEXAGON SOCKET	6		M5X12				
15	91001101600	O-RING	2		1A P16				
16	91002801100	O-RING	3		1B P11				
17	91002802000	O-RING	1		1B P20				
50	36648880000	VALVE,SOLENOID	1						

www.AutoEPC.com

GR-120N-1-00111 12T,X,WINCH(W/O FREE-FALL),JIB(P
PI1120299-00 VALVE,SOLENOID

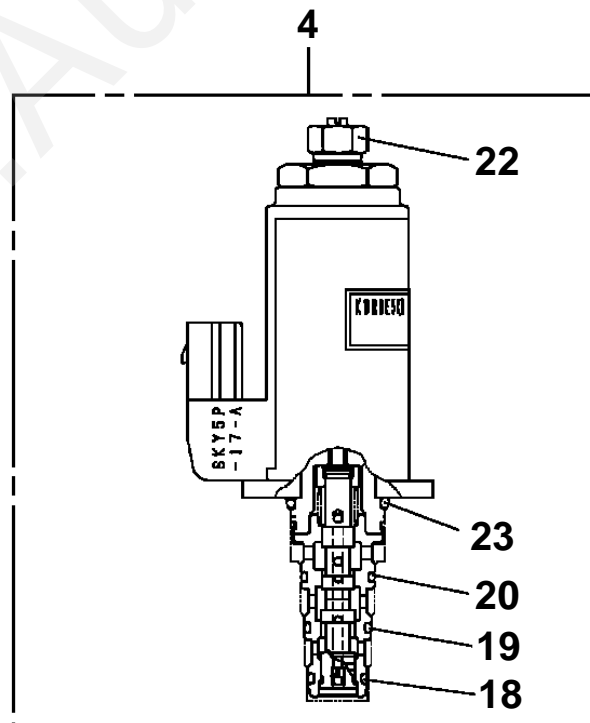
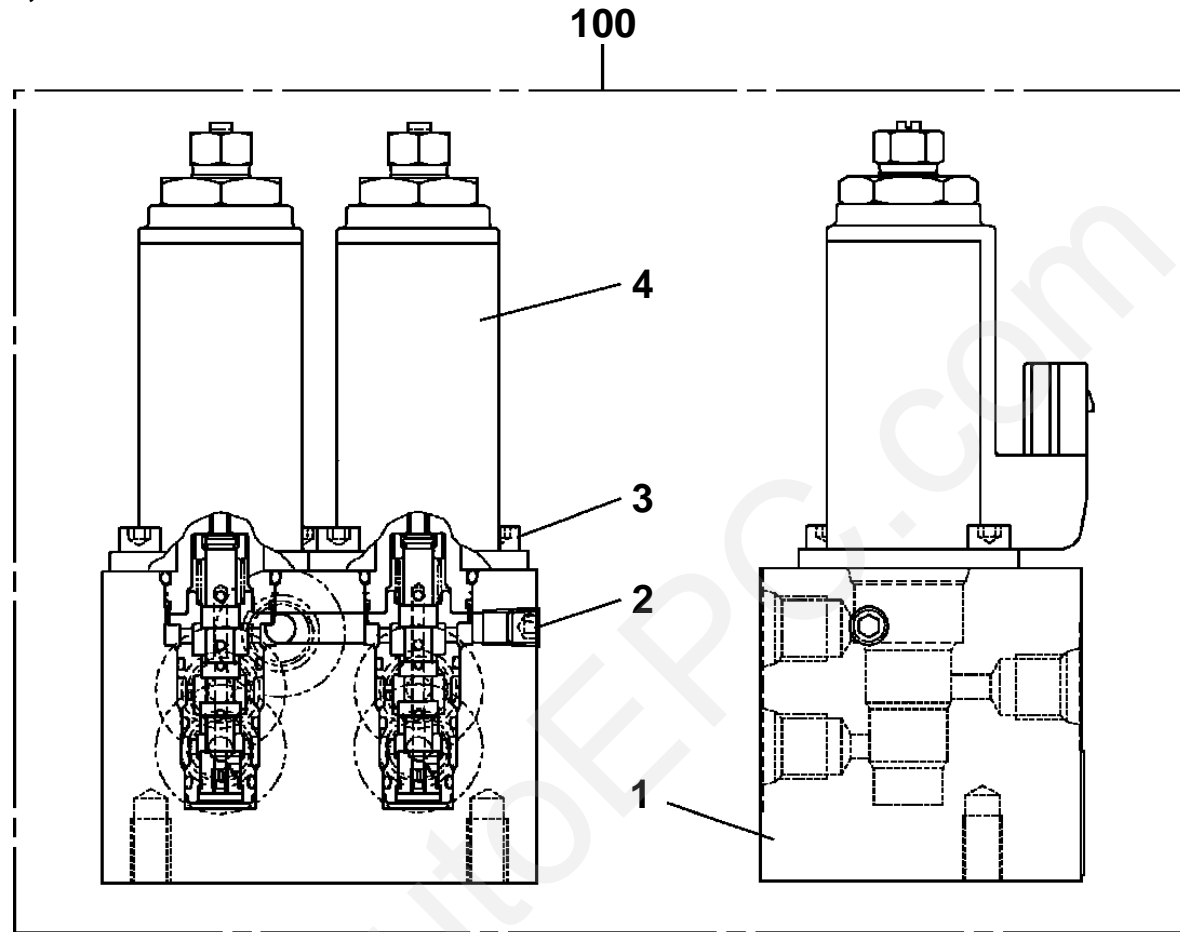


GR-120N-1-00111 12T,X,WINCH(W/O FREE-FALL),JIB(PT)

Pos No.	Parts No	Parts Name	Qty	Unit	Technical Data	Serial No (Start)	Serial No (End)	Remarks	Pages
1	3664590000	VALVE,SOLENOID	1						000112
2	36645751000	BODY	1						
3	36622090010	VALVE	1						
4	80316030080	PLUG	1		PT1/2				
50	36645750000	VALVE,SOLENOID	1						

www.AutoEPC.com

GR-120N-1-00111 12T,X,WINCH(W/O FREE-FALL),JIB(PT)
PI1120302-00 VALVE,SOLENOID

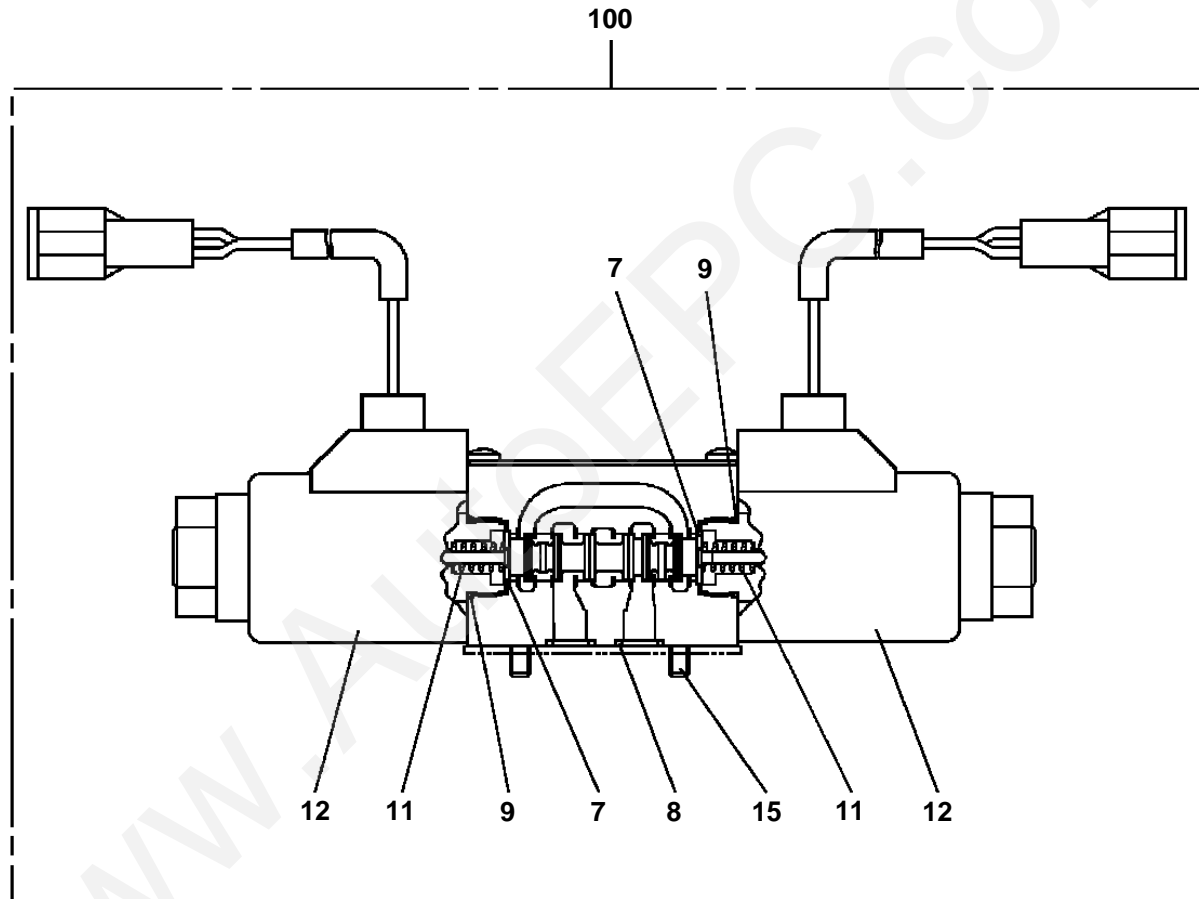


GR-120N-1-00111 12T,X,WINCH(W/O FREE-FALL),JIB(PT)

Pos No.	Parts No	Parts Name	Qty	Unit	Technical Data	Serial No (Start)	Serial No (End)	Remarks	Pages
1	36730155010	CASING	1						
2	36653355010	PLUG	1						
3	36730165010	BOLT,HEXAGON SOCKET	4						
4	36730105060	VALVE,SOLENOID	2						
18	91000501300	O-RING	2		AS568-013				
19	91000501400	O-RING	2		014 1115-70				
20	91000501500	O-RING	2		AS568-015				
22	36730165030	NUT	2						
23	36646605110	O-RING	2						
100	36730150000	VALVE,SOLENOID	1						

www.AutoEPC.com

GR-120N-1-00111 12T,X,WINCH(W/O FREE-FALL),JIB(P
PI1120346-00 VALVE,SOLENOID

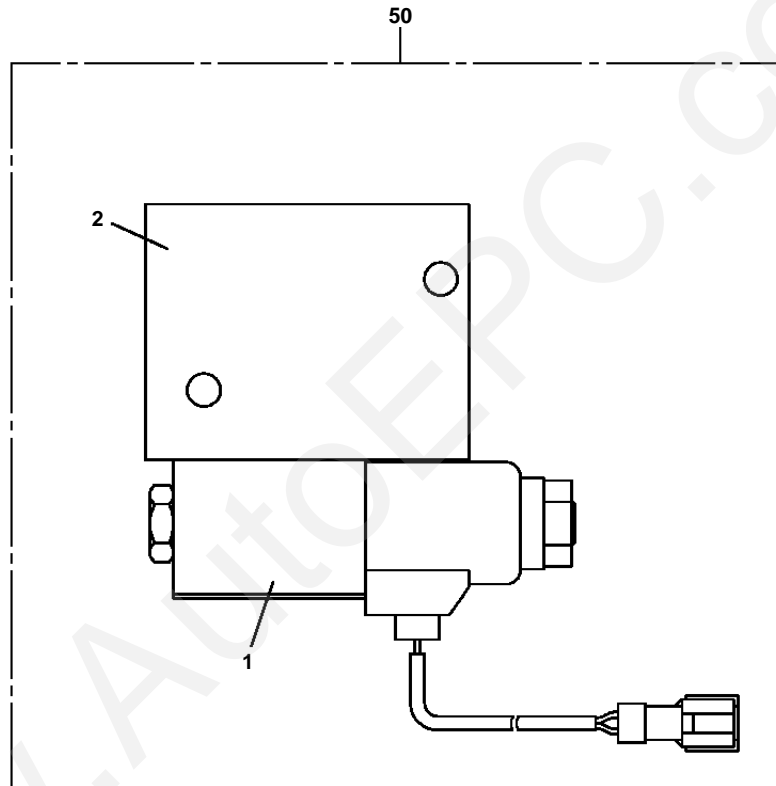


GR-120N-1-00111 12T,X,WINCH(W/O FREE-FALL),JIB(PT)

Pos No.	Parts No	Parts Name	Qty	Unit	Technical Data	Serial No (Start)	Serial No (End)	Remarks	Pages
7	36640085015	RETAINER	2						
8	36642935040	RING	4						
9	36646085020	O-RING	2						
11	36640085025	SPRING	2						
12	36646085030	SOLENOID	2						
15	90131505050	BOLT,HEXAGON SOCKET	4		M5X50				
100	36645775010	VALVE,SOLENOID	1						

www.AutoEPC.com

GR-120N-1-00111 12T,X,WINCH(W/O FREE-FALL),JIB(PT)
PI1120349-00 VALVE,SOLENOID

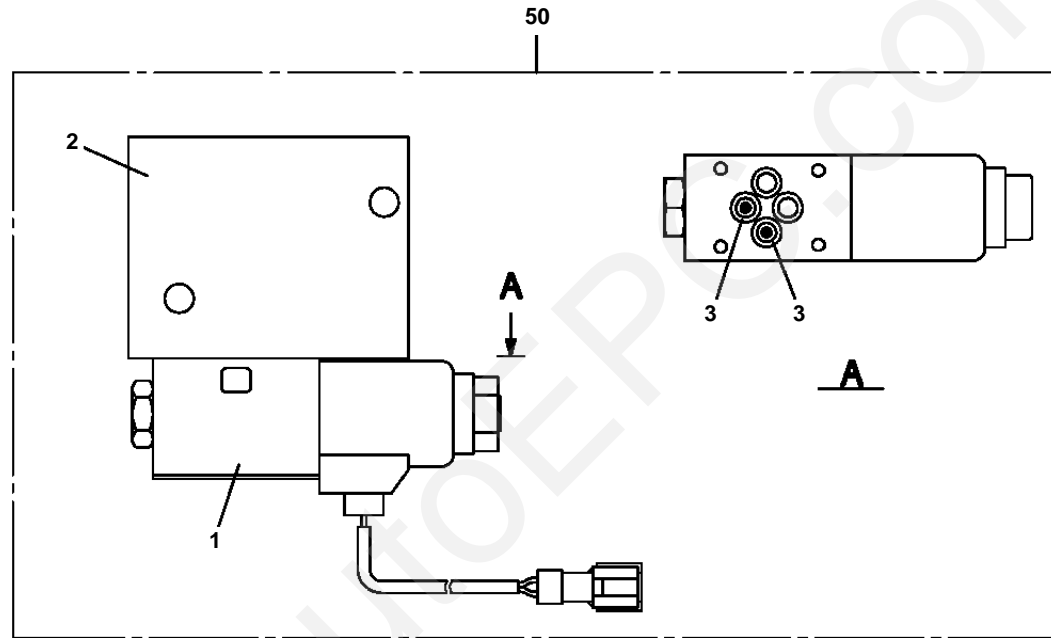


GR-120N-1-00111 12T,X,WINCH(W/O FREE-FALL),JIB(PT)

Pos No.	Parts No	Parts Name	Qty	Unit	Technical Data	Serial No (Start)	Serial No (End)	Remarks	Pages
1	36645900000	VALVE,SOLENOID	1						000112
2	36740171000	BODY	1						
50	36740170000	VALVE,SOLENOID	1						

www.AutoEPC.com

GR-120N-1-00111 12T,X,WINCH(W/O FREE-FALL),JIB(PT)
PI1120350-00 VALVE,SOLENOID



GR-120N-1-00111 12T,X,WINCH(W/O FREE-FALL),JIB(PT)

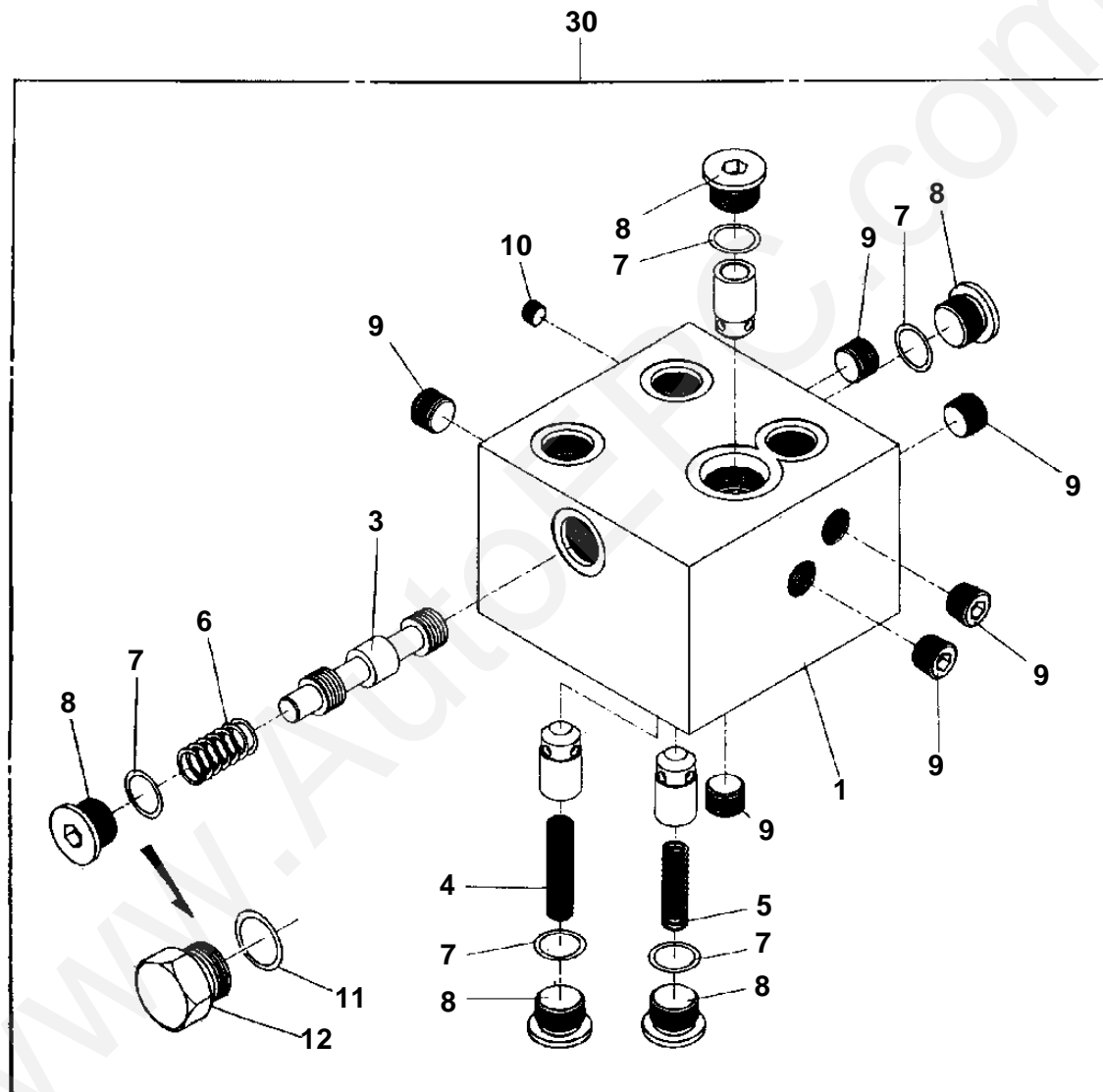
Pos No.	Parts No	Parts Name	Qty	Unit	Technical Data	Serial No (Start)	Serial No (End)	Remarks	Pages
1	36645900000	VALVE,SOLENOID	1						000112
2	36740171000	BODY	1						
3	36741500100	ORIFICE	2						
50	36741500000	VALVE,SOLENOID	1						

www.AutoEPC.com

GR-120N-1-00111 12T,X,WINCH(W/O FREE-FALL),JIB(PT)

PI1130028-01 VALVE, HYDRAULIC

Assembly Name VALVE, HYDRAULIC

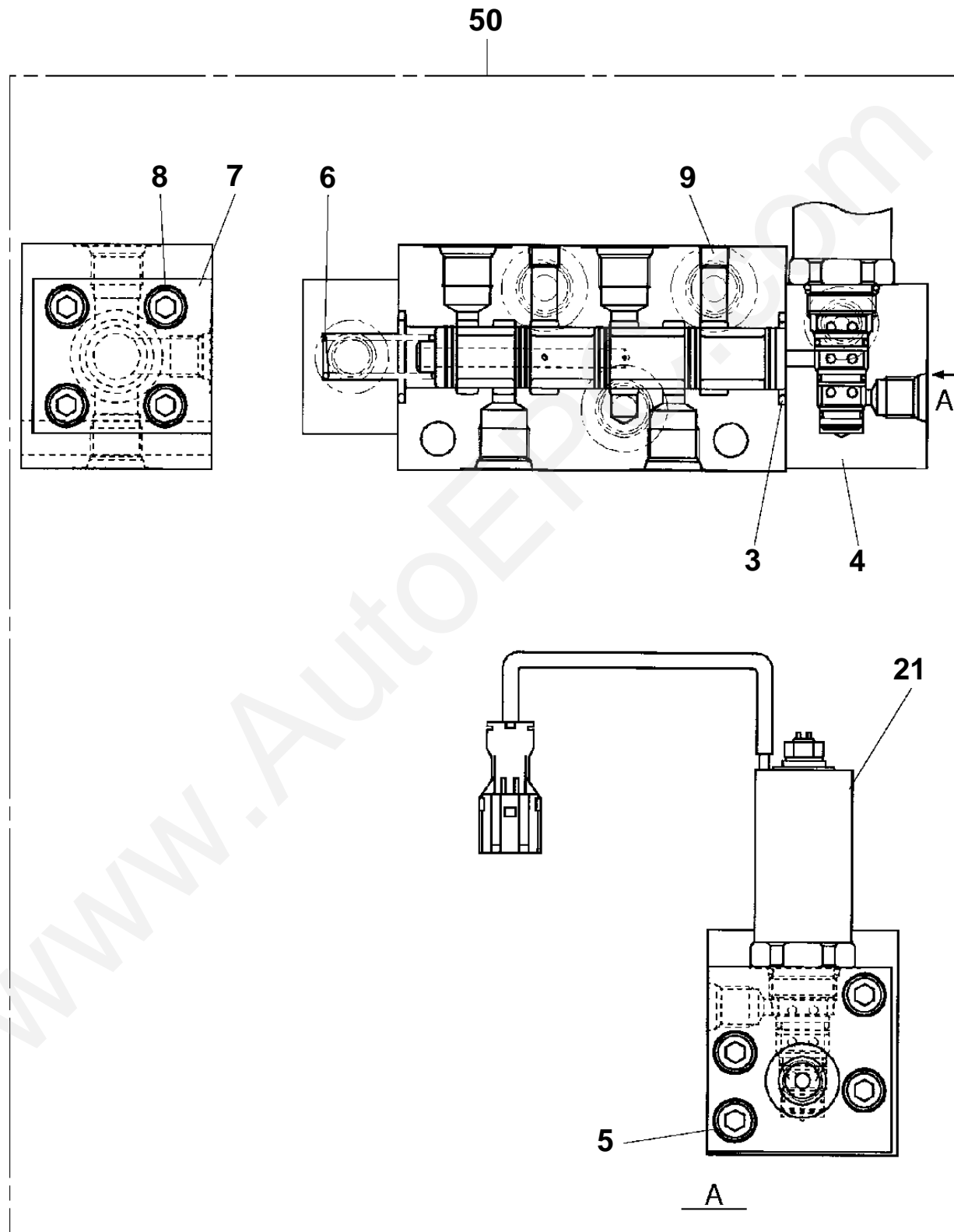


GR-120N-1-00111 12T,X,WINCH(W/O FREE-FALL),JIB(PT)

Pos No.	Parts No	Parts Name	Qty	Unit	Technical Data	Serial No (Start)	Serial No (End)	Remarks	Pages
1	36647035011	BODY	1						
3	36647035040	SPOOL	1						
4	36647035020	SPRING	1						
5	36647035030	SPRING	1						
6	36647035050	SPRING	1						
7	91002801800	O-RING	4		1B P18				
8	80316100040	PLUG	4		PF1/2				
9	80316090060	PLUG	6		KKT PT3/8				
10	80316090020	PLUG	1		KKT PT1/8				
11	91002802400	O-RING	1		1B P24				
12	36647035060	PLUG	1						
30	36647030000	VALVE,HYDRAULIC	1						

www.AutoEPC.com

GR-120N-1-00111 12T,X,WINCH(W/O FREE-FALL),JIB(P
PI1130041-00 VALVE,HYDRAULIC

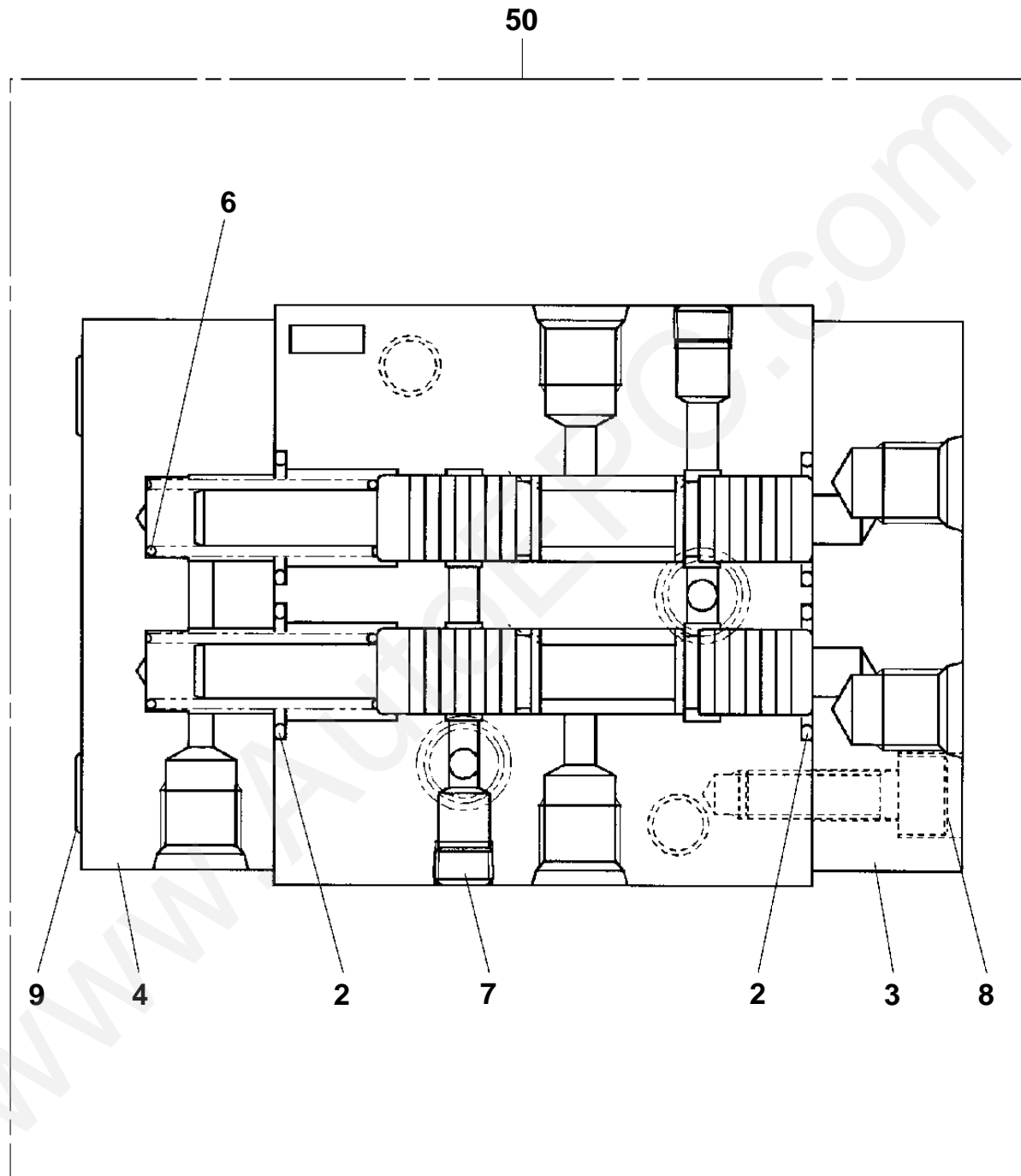


GR-120N-1-00111 12T,X,WINCH(W/O FREE-FALL),JIB(PT)

Pos No.	Parts No	Parts Name	Qty	Unit	Technical Data	Serial No (Start)	Serial No (End)	Remarks	Pages
3	91002902500	O-RING	2		1B G25				
4	36649395030	COVER (SIDE,A)	1						
5	90131708050	BOLT,HEXAGON SOCKET	4		M8X50				
6	36649395040	SPRING	1						
7	36649395050	COVER (SIDE,B)	1						
8	90131708035	BOLT,HEXAGON SOCKET	4		M8X35				
9	80316030020	PLUG	2		PT1/8				
21	36645830000	VALVE,SOLENOID	1						000107
50	36649390000	VALVE,HYDRAULIC	1						

www.AutoEPC.com

GR-120N-1-00111 12T,X,WINCH(W/O FREE-FALL),JIB(P
PI1130043-00 VALVE,HYDRAULIC

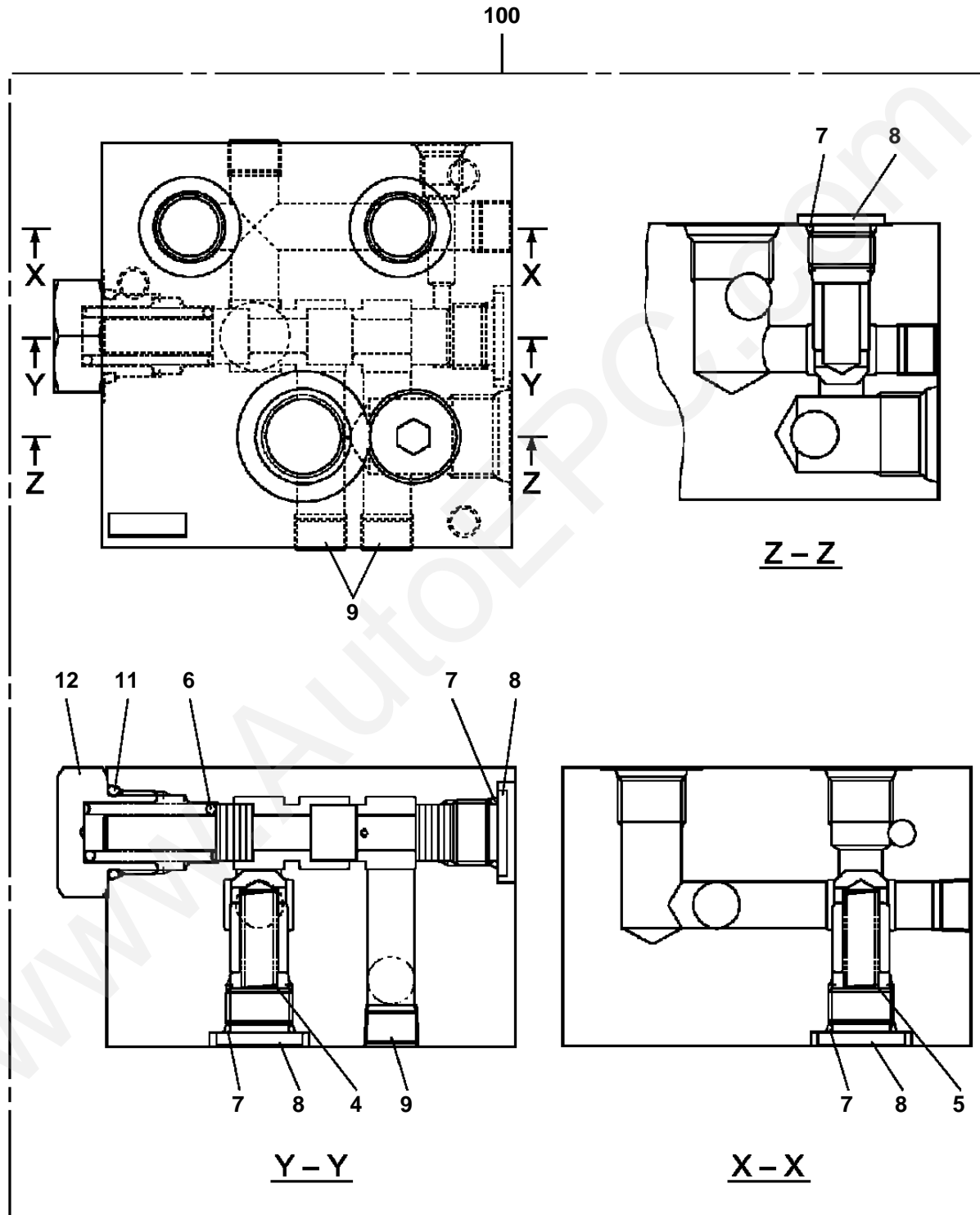


GR-120N-1-00111 12T,X,WINCH(W/O FREE-FALL),JIB(PT)

Pos No.	Parts No	Parts Name	Qty	Unit	Technical Data	Serial No (Start)	Serial No (End)	Remarks	Pages
2	91002801800	O-RING	4		1B P18				
3	36645295010	COVER (SIDE,A)	1						
4	36645295020	COVER (SIDE,B)	1						
6	36641605030	SPRING	2						
7	80316030020	PLUG	2		PT1/8				
8	90131508025	BOLT,HEXAGON SOCKET	4		M8X25				
9	90131508035	BOLT,HEXAGON SOCKET	4		M8X35				
50	36649500000	VALVE,HYDRAULIC	1						

www.AutoEPC.com

GR-120N-1-00111 12T,X,WINCH(W/O FREE-FALL),JIB(P
PI1130060-00 VALVE,HYDRAULIC

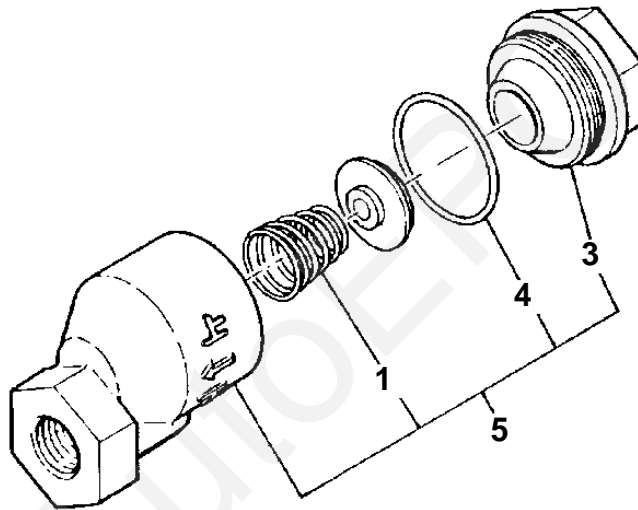


GR-120N-1-00111 12T,X,WINCH(W/O FREE-FALL),JIB(PT)

Pos No.	Parts No	Parts Name	Qty	Unit	Technical Data	Serial No (Start)	Serial No (End)	Remarks	Pages
4	36647035020	SPRING	1						
5	36647035030	SPRING	1						
6	36647035050	SPRING	1						
7	91002801800	O-RING	4		1B P18				
8	80316100040	PLUG	4		PF1/2				
9	80316090060	PLUG	6		KKT PT3/8				
11	91002802400	O-RING	1		1B P24				
12	36647035060	PLUG	1						
100	36647030001	VALVE,HYDRAULIC	1						

www.AutoEPC.com

GR-120N-1-00111 12T,X,WINCH(W/O FREE-FALL),JIB(PT)
PI1140040-00 VALVE,CHECK

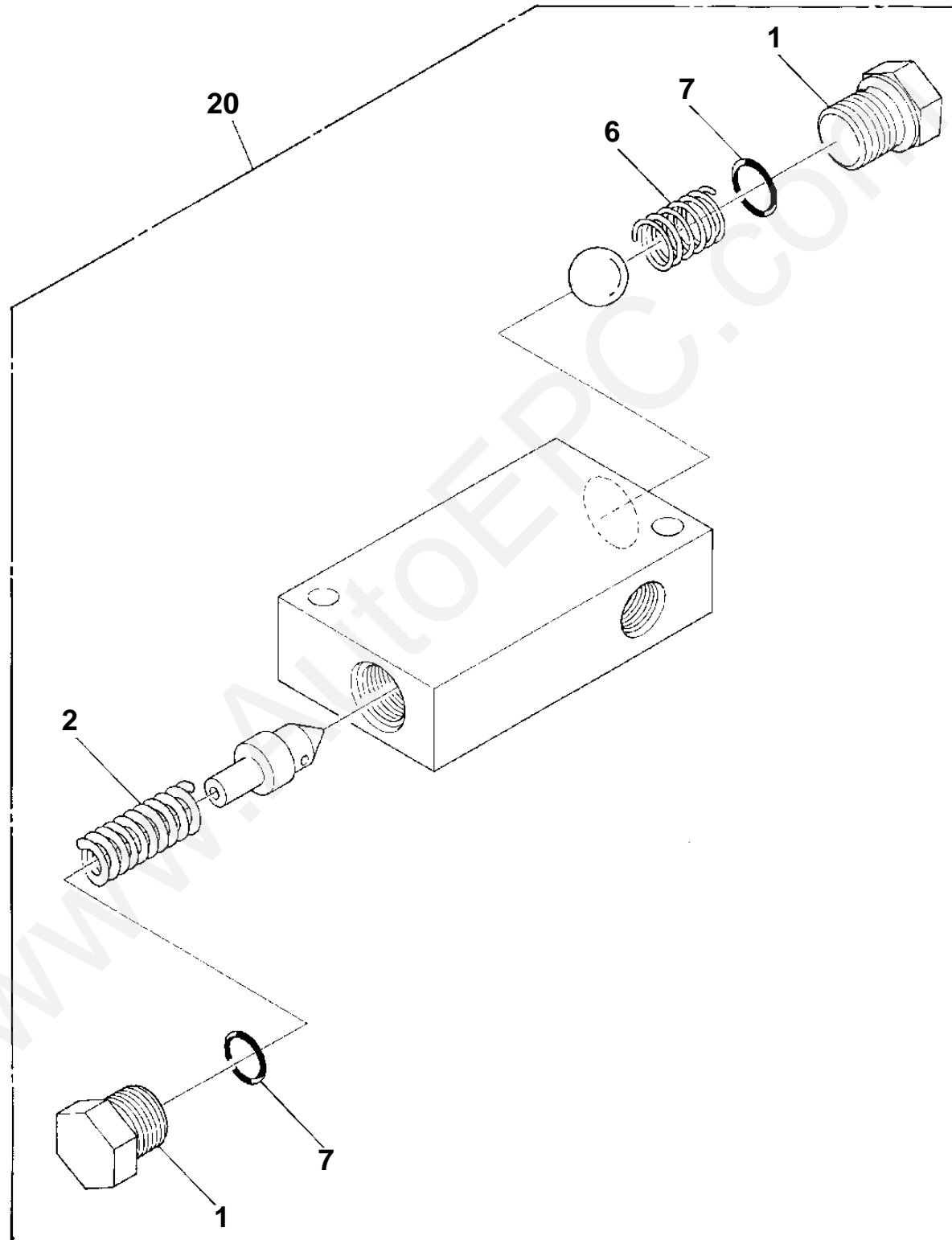


GR-120N-1-00111 12T,X,WINCH(W/O FREE-FALL),JIB(PT)

Pos No.	Parts No	Parts Name	Qty	Unit	Technical Data	Serial No (Start)	Serial No (End)	Remarks	Pages
1	59451304030	SPRING	1						
3	59451304050	CAP	1						
4	59451304010	O-RING	1						
5	59451304000	VALVE,CHECK	1						

www.AutoEPC.com

GR-120N-1-00111 12T,X,WINCH(W/O FREE-FALL),JIB(P
PI1140072-00 VALVE,CHECK

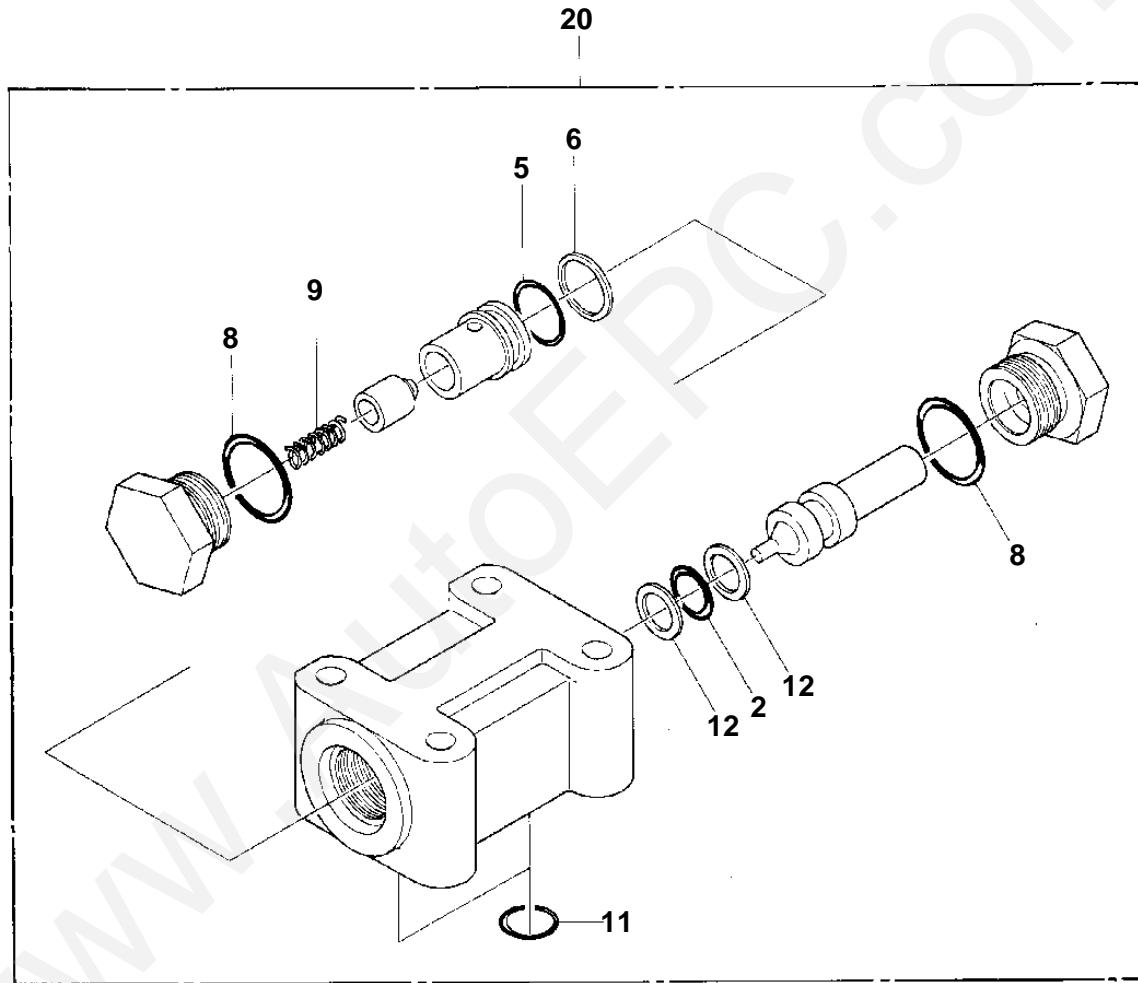


GR-120N-1-00111 12T,X,WINCH(W/O FREE-FALL),JIB(PT)

Pos No.	Parts No	Parts Name	Qty	Unit	Technical Data	Serial No (Start)	Serial No (End)	Remarks	Pages
1	80316070080	PLUG	2		PF1/2				
2	36623575200	SPRING	1						
6	36623575600	SPRING	1						
7	91002801800	O-RING	2		1B P18				
20	36623570000	VALVE,CHECK	1						

www.AutoEPC.com

GR-120N-1-00111 12T,X,WINCH(W/O FREE-FALL),JIB(PT)
PI1140088-00 VALVE,CHECK

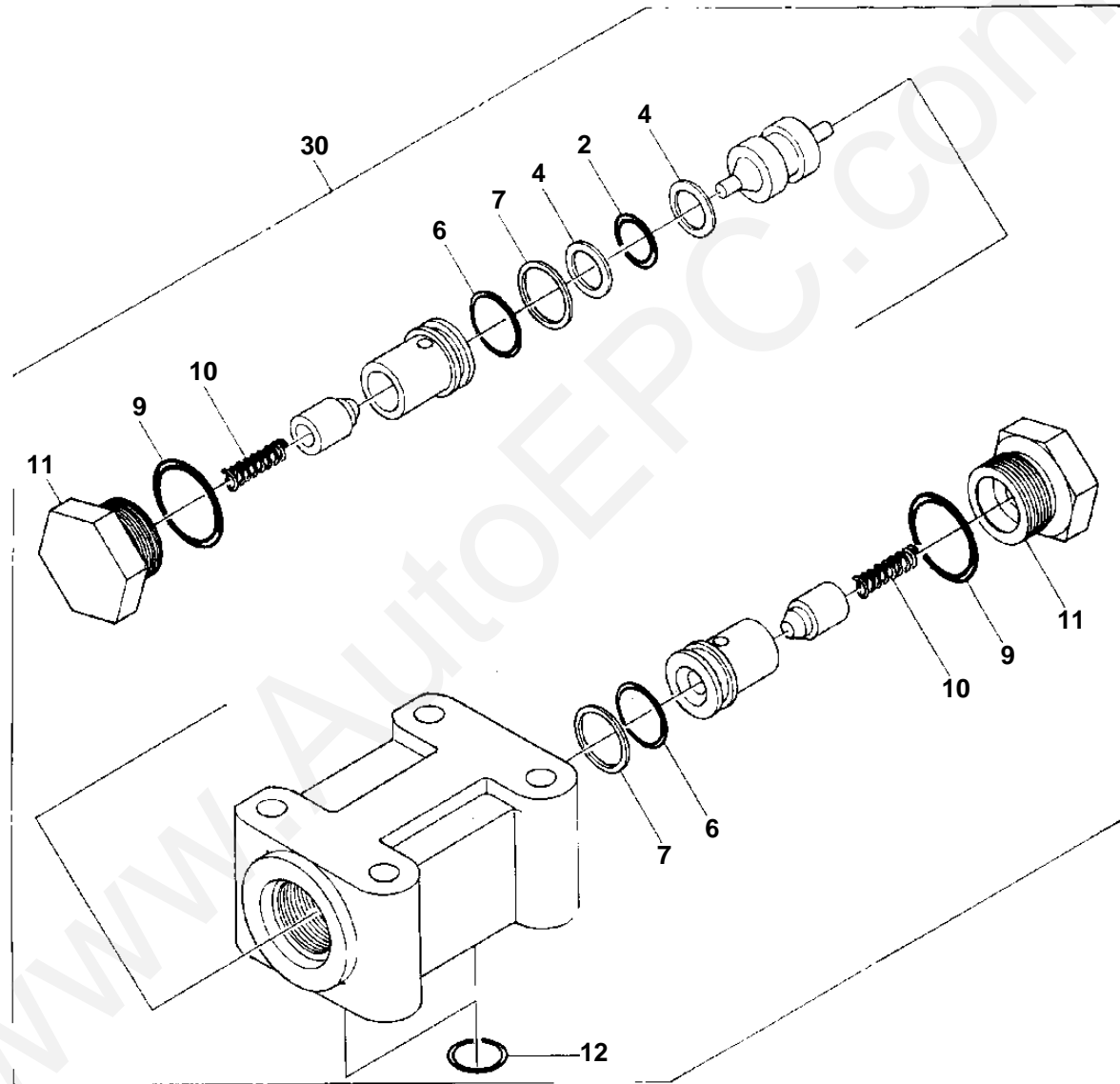


GR-120N-1-00111 12T,X,WINCH(W/O FREE-FALL),JIB(PT)

Pos No.	Parts No	Parts Name	Qty	Unit	Technical Data	Serial No (Start)	Serial No (End)	Remarks	Pages
2	91040101200	O-RING	1		P12				
5	91002801600	O-RING	1		1B P16				
6	91411001600	RING,BACKUP	1		P16				
8	91002802200	O-RING	2		1B P22				
9	36624166200	SPRING (A)	1						
11	91002801400	O-RING	2		1B P14				
12	91411001200	RING,BACKUP	2		P12				
20	36624230000	VALVE,CHECK	1						

www.AutoEPC.com

GR-120N-1-00111 12T,X,WINCH(W/O FREE-FALL),JIB(PT)
PI1140094-00 VALVE,CHECK



GR-120N-1-00111 12T,X,WINCH(W/O FREE-FALL),JIB(PT)

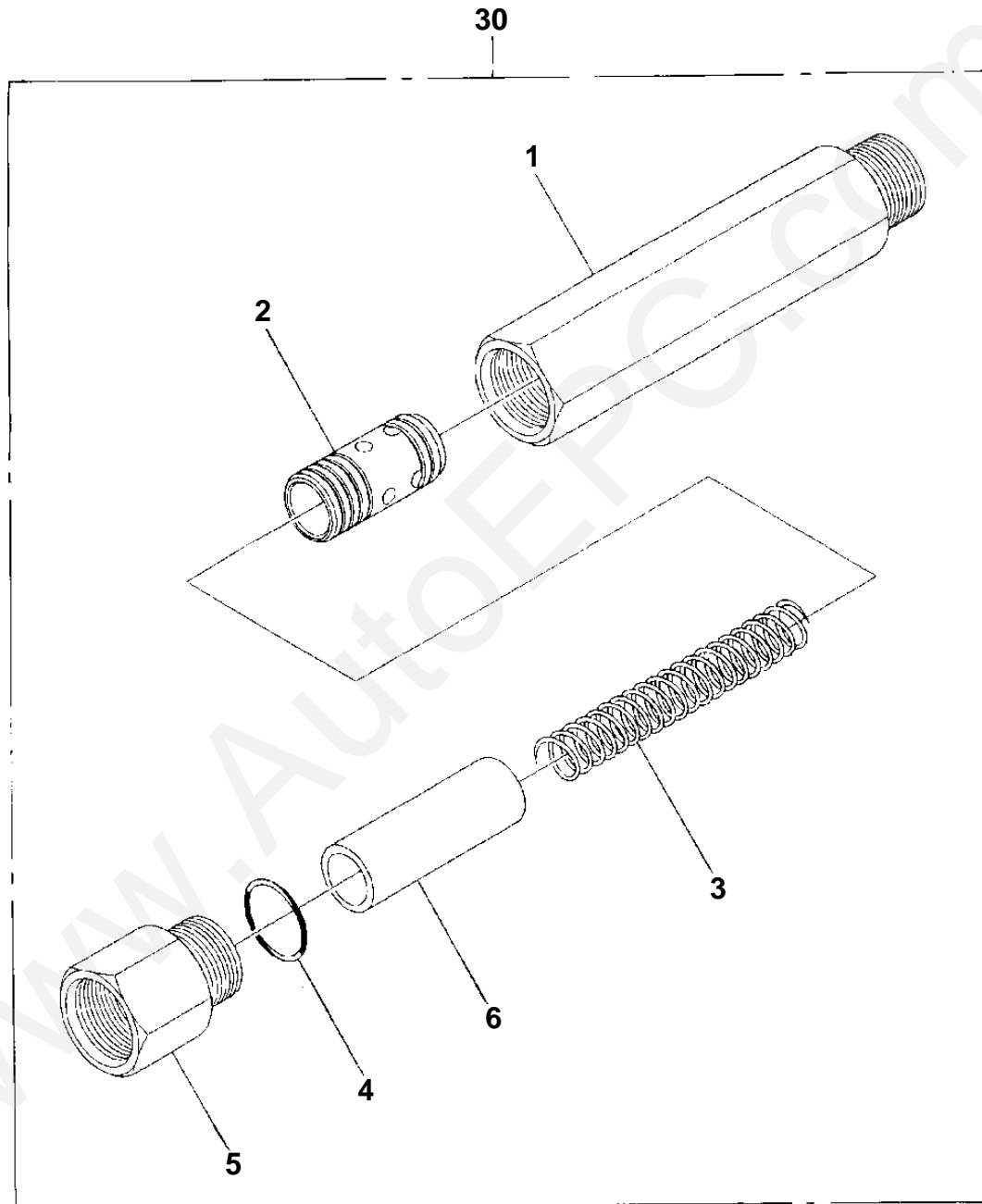
Pos No.	Parts No	Parts Name	Qty	Unit	Technical Data	Serial No (Start)	Serial No (End)	Remarks	Pages
2	91040101200	O-RING	1		P12				
4	91411001200	RING,BACKUP	2		P12				
6	91002801600	O-RING	2		1B P16				
7	91411001600	RING,BACKUP	2		P16				
9	91002802200	O-RING	2		1B P22				
10	36624166200	SPRING (A)	2						
11	36624166300	PLUG	2						
12	91002801400	O-RING	2		1B P14				
30	36624260000	VALVE,CHECK	1						

www.AutoEPC.com

GR-120N-1-00111 12T,X,WINCH(W/O FREE-FALL),JIB(P.T)

PI1140116-00 VALVE,CHECK

VALVE, CHECK



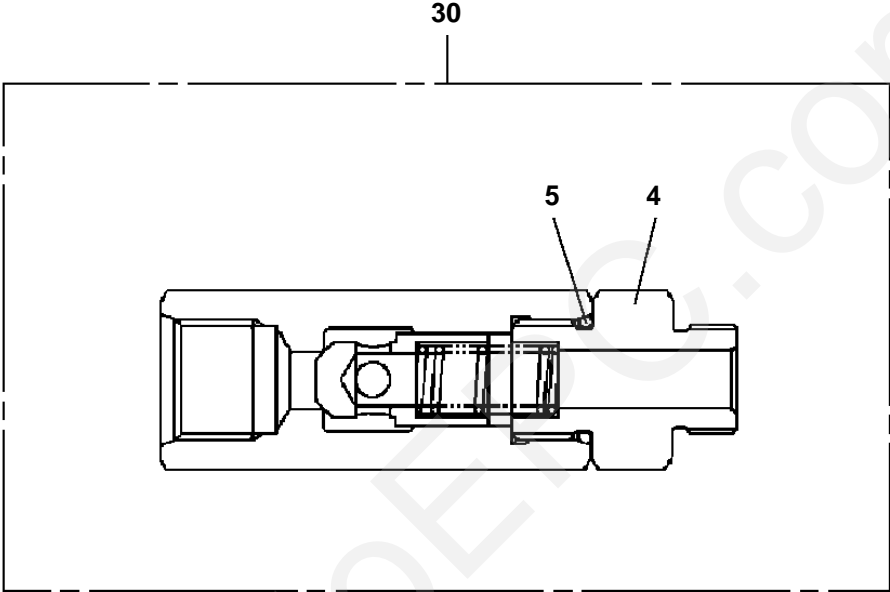
GR-120N-1-00111 12T,X,WINCH(W/O FREE-FALL),JIB(PT)

Pos No.	Parts No	Parts Name	Qty	Unit	Technical Data	Serial No (Start)	Serial No (End)	Remarks	Pages
1	36624535100	BODY	1						
2	36624525200	VALVE,CHECK	1						
3	36624525300	SPRING	1						
4	91002801800	O-RING	1		1B P18				
5	36624525500	PLUG	1						
6	36624525600	COLLAR	1						
30	36624530000	VALVE,CHECK	1						

www.AutoEPC.com

GR-120N-1-00111 12T,X,WINCH(W/O FREE-FALL),JIB(P.T)

PI1140151-01 VALVE,CHECK



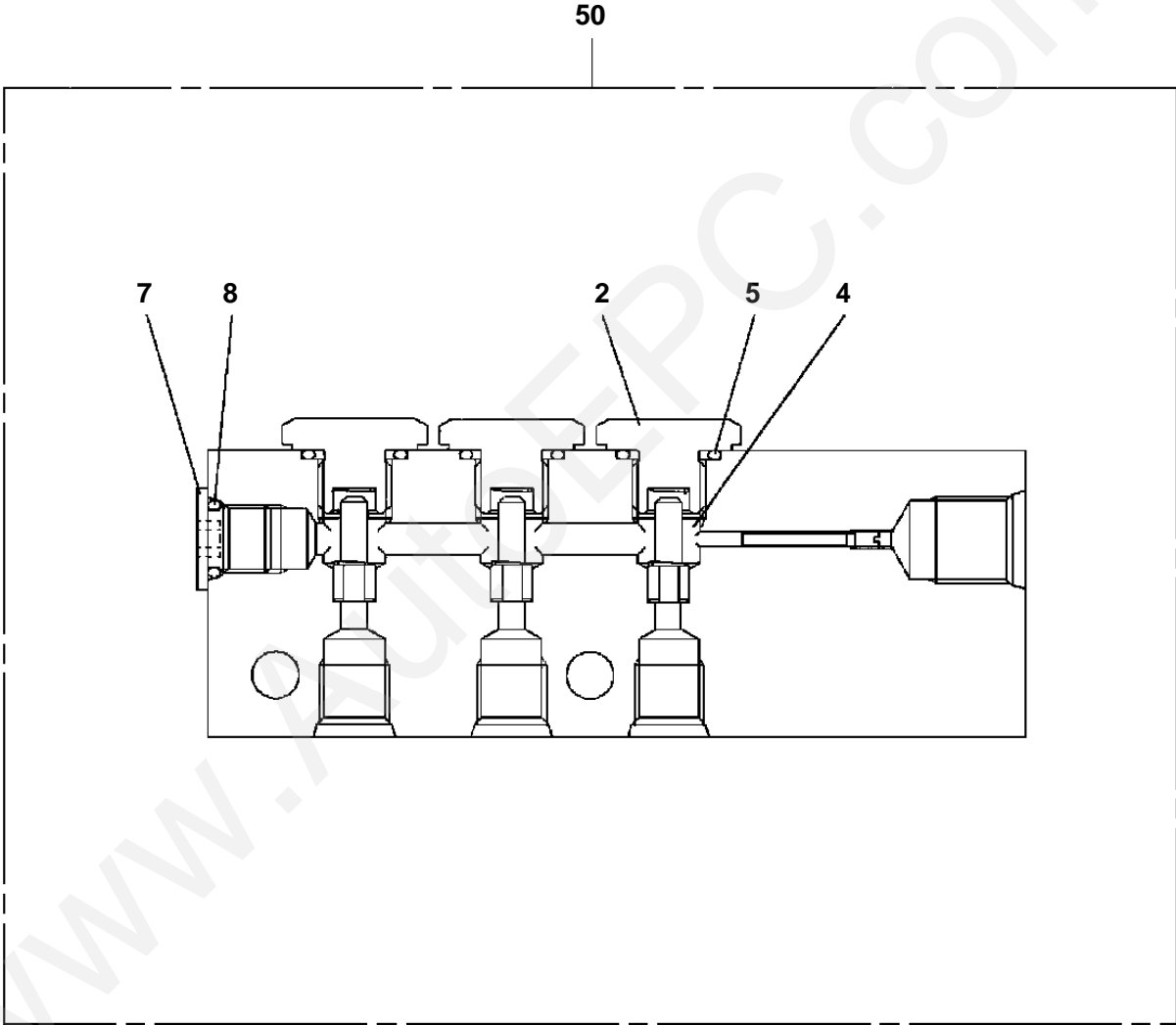
www.AutoE.com

GR-120N-1-00111 12T,X,WINCH(W/O FREE-FALL),JIB(PT)

Pos No.	Parts No	Parts Name	Qty	Unit	Technical Data	Serial No (Start)	Serial No (End)	Remarks	Pages
4	36625105010	CONNECTOR	1						
5	91002801800	O-RING	1		1B P18				
30	36625100000	VALVE,CHECK	1						

www.AutoEPC.com

GR-120N-1-00111 12T,X,WINCH(W/O FREE-FALL),JIB(P.T)
PI1140161-01 VALVE,CHECK

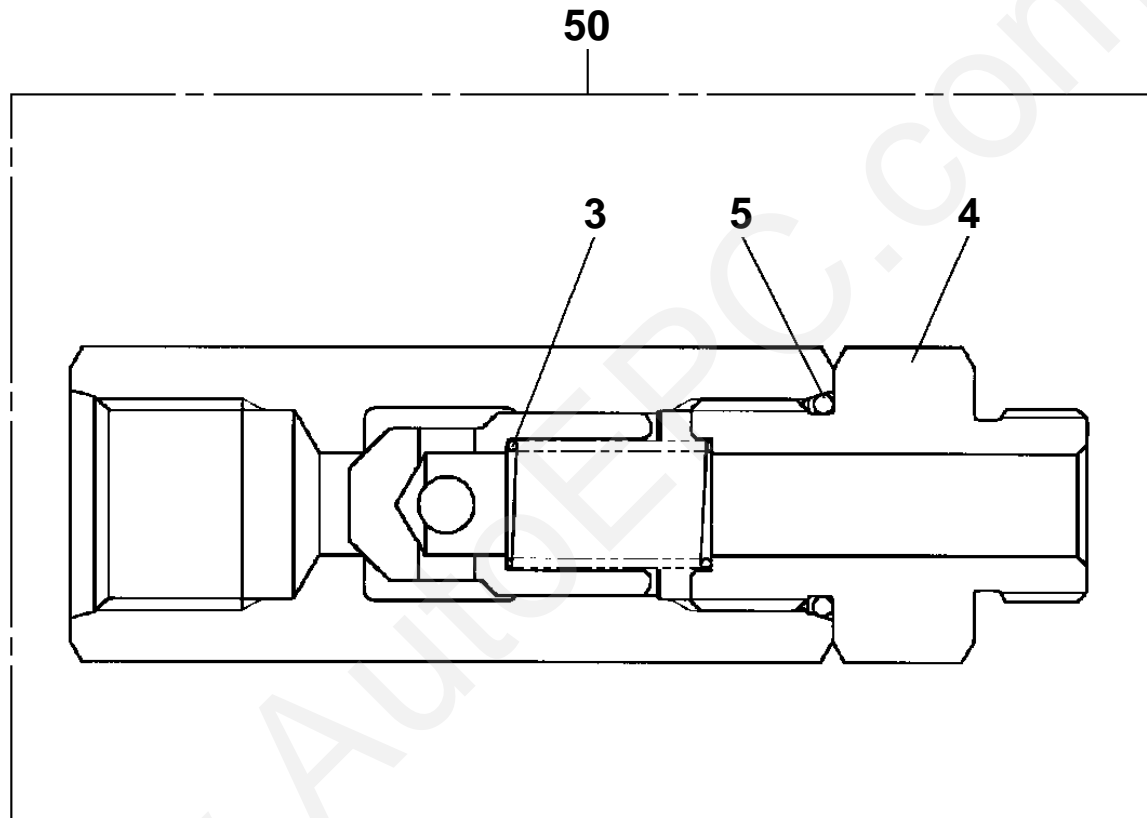


GR-120N-1-00111 12T,X,WINCH(W/O FREE-FALL),JIB(PT)

Pos No.	Parts No	Parts Name	Qty	Unit	Technical Data	Serial No (Start)	Serial No (End)	Remarks	Pages
2	36624085200	PLUG	3						
4	36621305020	SPRING	3						
5	91002801600	O-RING	3		1B P16				
7	36646127500	PLUG	1						
8	91002801100	O-RING	1		1B P11				
50	36625120000	VALVE,CHECK	1						

www.AutoEPC.com

GR-120N-1-00111 12T,X,WINCH(W/O FREE-FALL),JIB(P
PI1140169-00 VALVE,CHECK



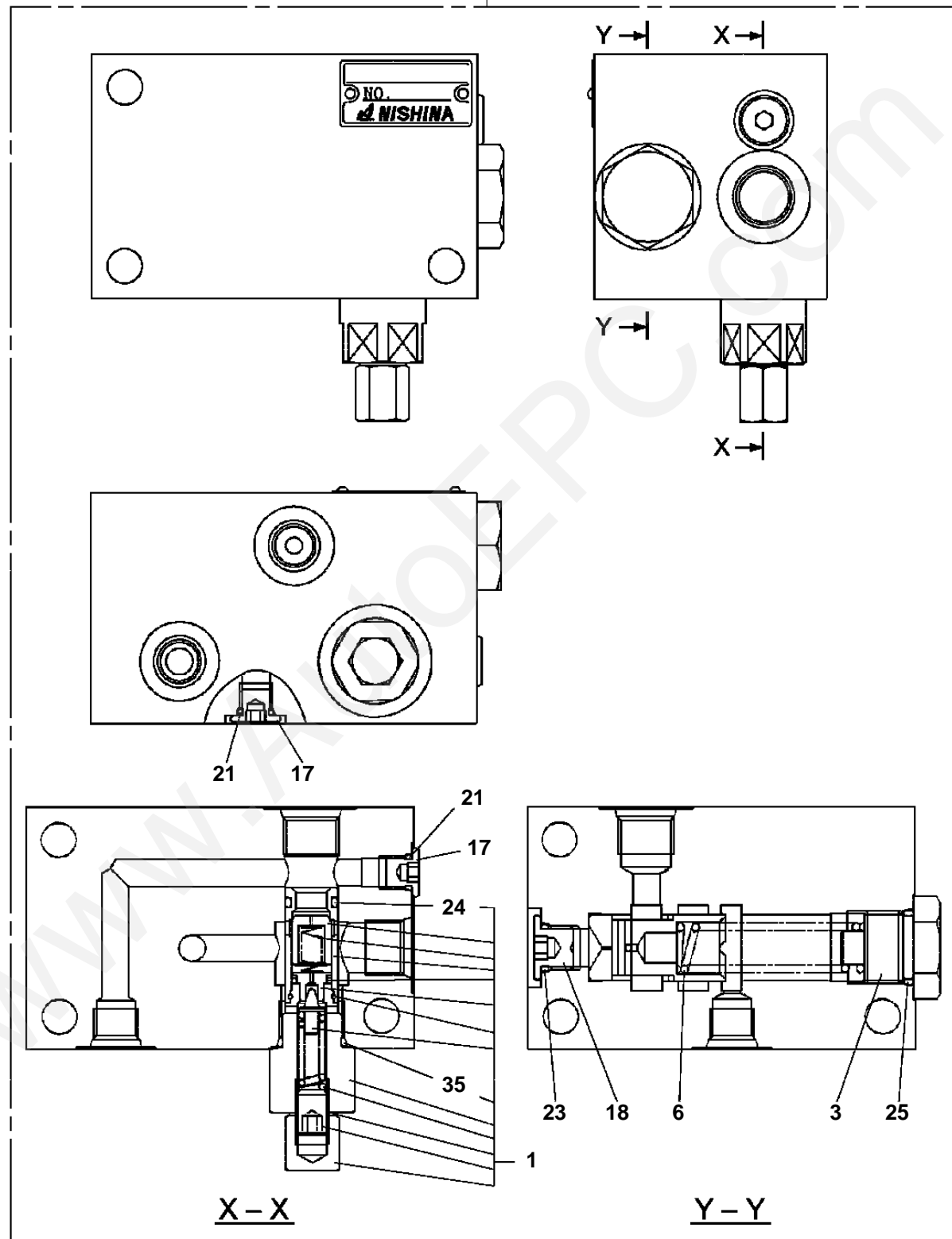
GR-120N-1-00111 12T,X,WINCH(W/O FREE-FALL),JIB(PT)

Pos No.	Parts No	Parts Name	Qty	Unit	Technical Data	Serial No (Start)	Serial No (End)	Remarks	Pages
3	36625205020	SPRING	1						
4	36625060030	PLUG	1						
5	91002801800	O-RING	1		1B P18				
50	36625200000	VALVE,CHECK	1						

www.AutoEPC.com

GR-120N-1-00111 12T,X,WINCH(W/O FREE-FALL),JIB(P.T)
PI1160029-01 VALVE,FLOW CONTROL

100

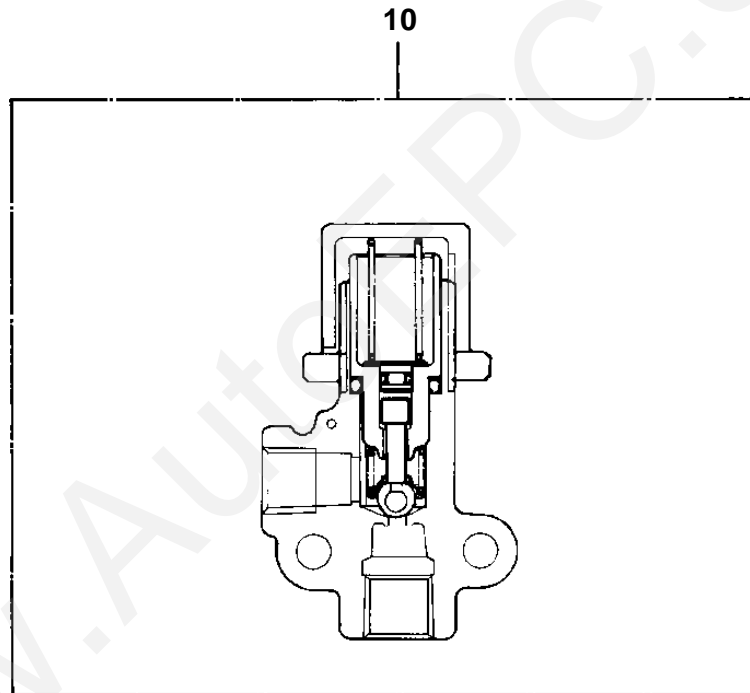


GR-120N-1-00111 12T,X,WINCH(W/O FREE-FALL),JIB(PT)

Pos No.	Parts No	Parts Name	Qty	Unit	Technical Data	Serial No (Start)	Serial No (End)	Remarks	Pages
1	36611455040	VALVE,RELIEF	1				FD0552		
	36611455050	RELIEF ASSY	1			FD0553			
3	36611455010	STOPPER	1						
6	36611455020	SPRING	1						
17	36611455030	PLUG	2		G1/8				
18	36646975120	PLUG	1		PF1/4				
21	91002800800	O-RING	2		1B P8				
23	91002801100	O-RING	1		1B P11				
24	91002801200	O-RING	1		1B P12				
25	91002801800	O-RING	1		1B P18				
35	91002801800	O-RING	1		1B P18				
100	36611450000	VALVE,FLOW CONTROL	1						

www.AutoEPC.com

GR-120N-1-00111 12T,X,WINCH(W/O FREE-FALL),JIB(P.T)
PI1210000-01 VALVE,PRESSURE PROTECTION

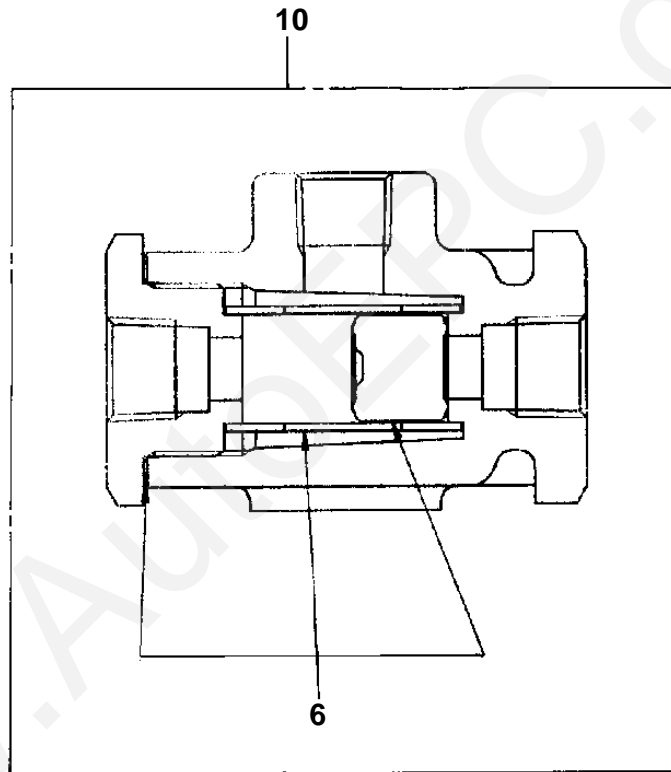


GR-120N-1-00111 12T,X,WINCH(W/O FREE-FALL),JIB(PT)

Pos No.	Parts No	Parts Name	Qty	Unit	Technical Data	Serial No (Start)	Serial No (End)	Remarks	Pages
10	36620450000	VALVE,PRESSURE PROTECTION	1						

www.AutoEPC.com

GR-120N-1-00111 12T,X,WINCH(W/O FREE-FALL),JIB(PT)
PI1230016-00 VALVE,SHUTTLE

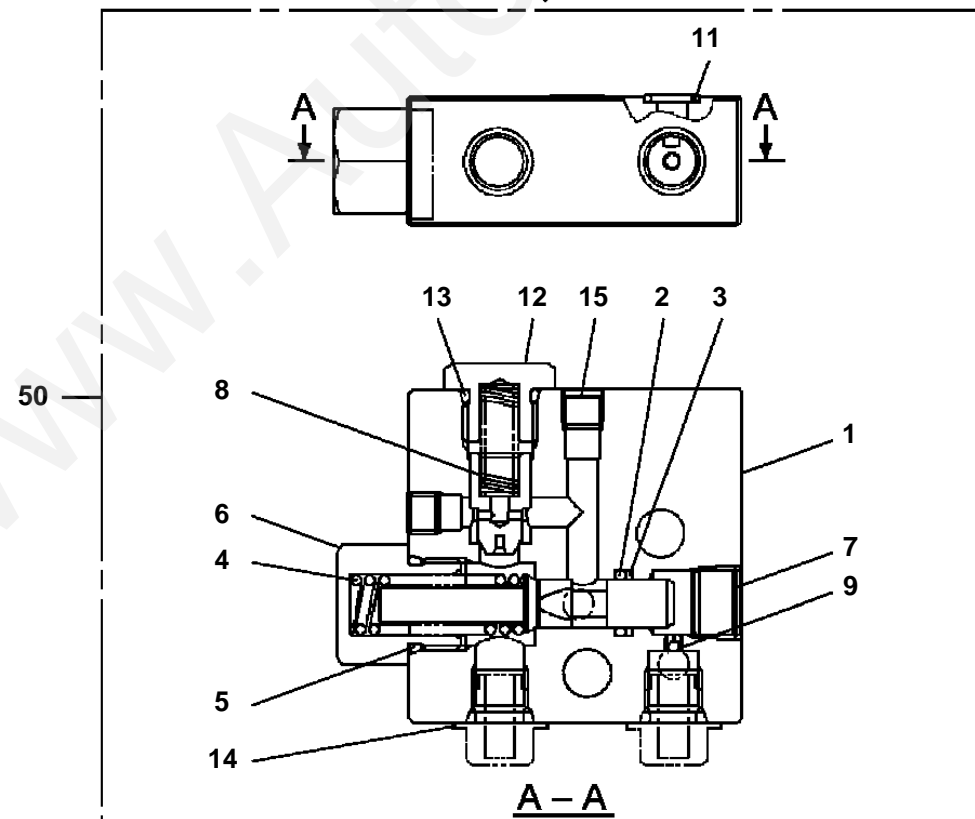
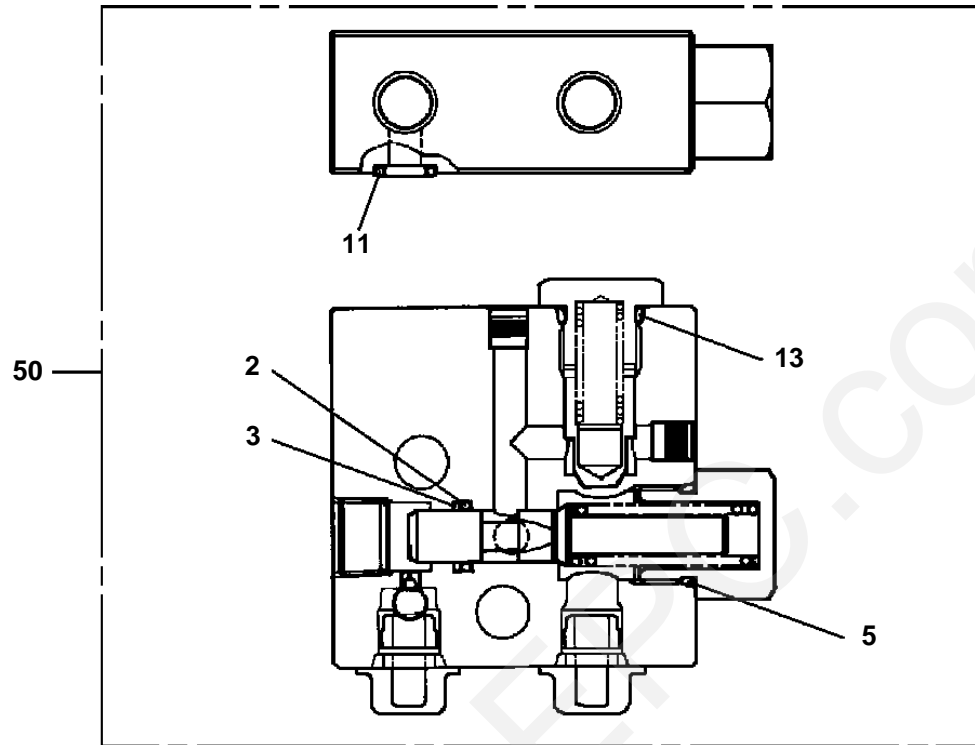


GR-120N-1-00111 12T,X,WINCH(W/O FREE-FALL),JIB(PT)

Pos No.	Parts No	Parts Name	Qty	Unit	Technical Data	Serial No (Start)	Serial No (End)	Remarks	Pages
6	36621765010	VALVE KIT	1						
10	36621760000	VALVE,SHUTTLE	1						

www.AutoEPC.com

GR-120N-1-00111 12T,X,WINCH(W/O FREE-FALL),JIB(P.T)
PI1250070-02 VALVE,COUNTERBALANCE

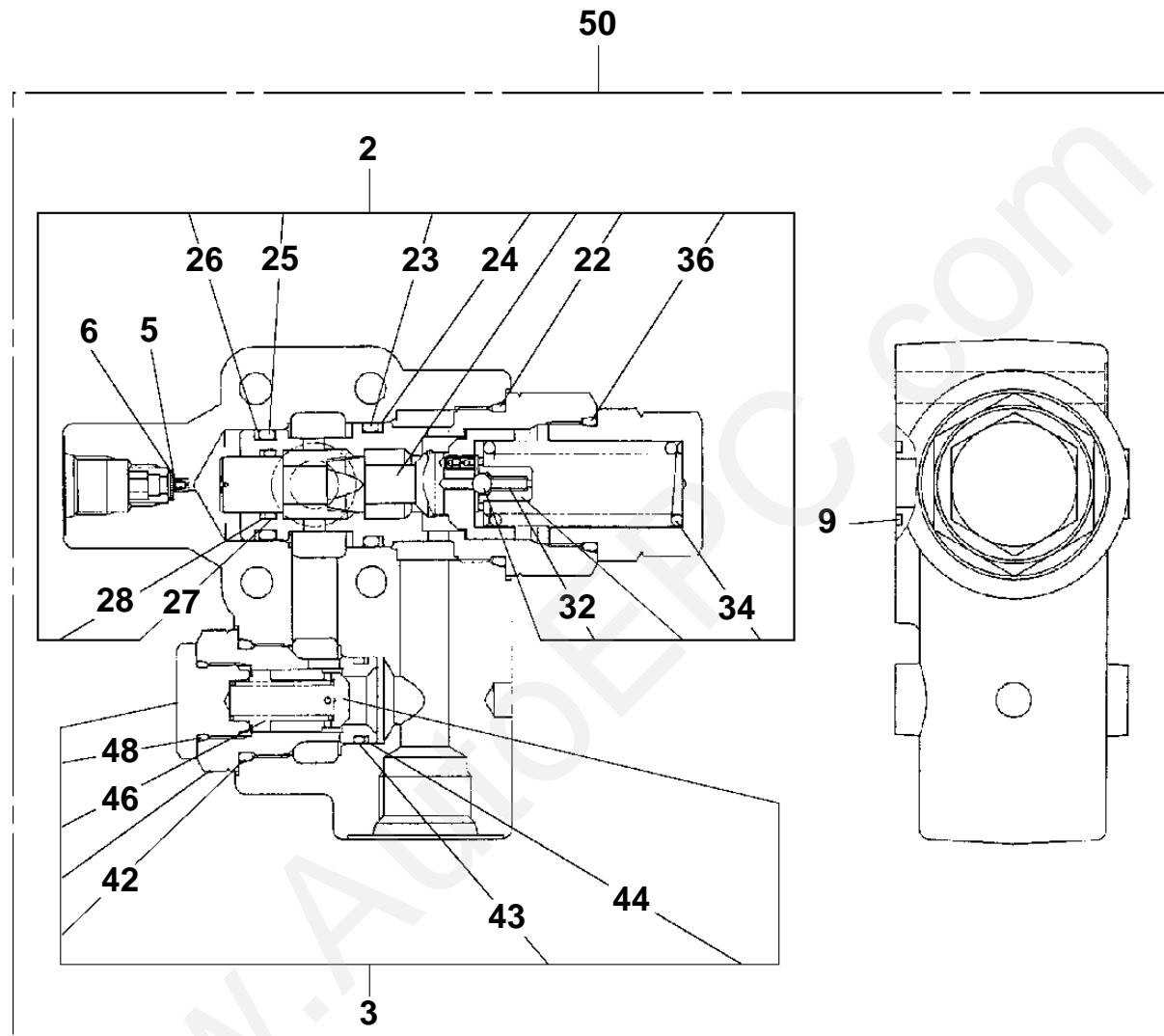


GR-120N-1-00111 12T,X,WINCH(W/O FREE-FALL),JIB(PT)

Pos No.	Parts No	Parts Name	Qty	Unit	Technical Data	Serial No (Start)	Serial No (End)	Remarks	Pages
1	36603545012	BODY ASSY,VALVE	1			FD0716	FD1862		
	36603545013	BODY ASSY,VALVE	1			FD1863			
2	91001101100	O-RING	1		1A P11				
3	36601125010	RING,BACKUP	1		P11				
4	36601125020	SPRING	1			FD0716			
5	91001101800	O-RING	1		1A P18				
6	36601125050	PLUG	1			FD0716			
7	80316030060	PLUG	1		PT3/8	FD0716			
8	36603545020	SPRING	1			FD0716			
9	36660495120	THROTTLE	1		M4	FD0716			
11	91002801000	O-RING	2		1B P10				
12	36633365090	CAP (CHECK VALVE)	1			FD0716			
13	91001101400	O-RING	1		1A P14				
14	36081315130	PROTECTOR (THREAD)	2			FD0716			
15	80316030020	PLUG	2		PT1/8	FD1863			
50	36603540000	VALVE,COUNTERBALANCE	1						

www.AutoEPC.com

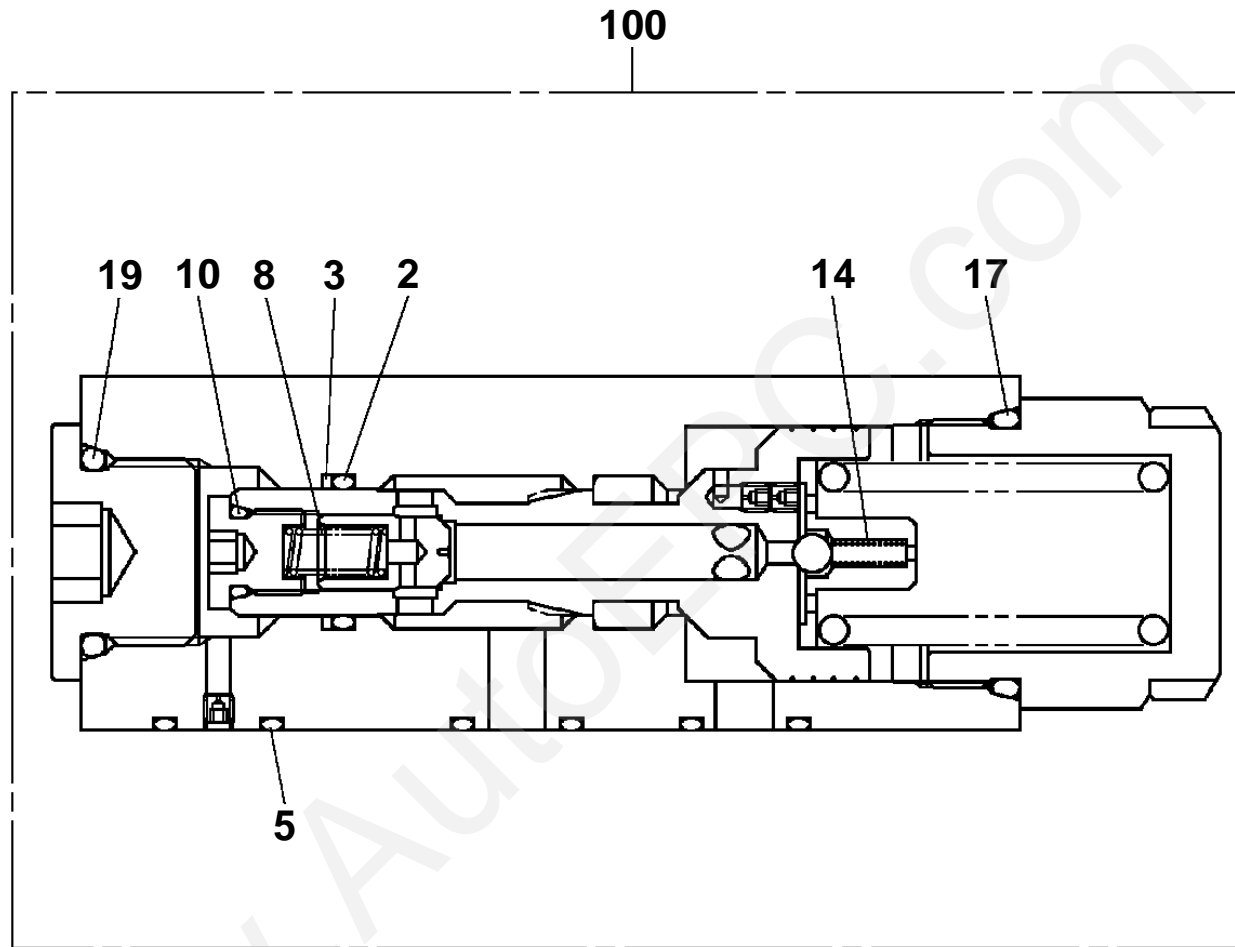
GR-120N-1-00111 12T,X,WINCH(W/O FREE-FALL),JIB(P
PI1250115-01 VALVE,COUNTERBALANCE



GR-120N-1-00111 12T,X,WINCH(W/O FREE-FALL),JIB(PT)

Pos No.	Parts No	Parts Name	Qty	Unit	Technical Data	Serial No (Start)	Serial No (End)	Remarks	Pages
2	36605175090	VALVE,HOLDING	1						
3	36605175020	VALVE,CHECK	1						
5	36605175060	ELEMENT,FILTER	1						
6	36605175070	RING,SNAP	1						
9	91002802000	O-RING	1		1B P20				
22	91002804100	O-RING	1		1B P41				
23	91002803000	O-RING	1		1B P30				
24	91411003000	RING,BACKUP	1		P30				
25	91002802600	O-RING	1		1B P26				
26	91411002600	RING,BACKUP	1						
27	91002801600	O-RING	1		1B P16				
28	91410001600	RING,BACKUP	1		P16				
32	36605175100	SPRING	1						
34	36605175110	SPRING	1						
36	91002803200	O-RING	1		1B P32				
42	91002802900	O-RING	1		1B P29				
43	91002802100	O-RING	1		1B P21				
44	91411002100	RING,BACKUP	1		P21				
46	36605175050	SPRING	1						
48	91002802000	O-RING	1		1B P20				
50	36605170000	VALVE,COUNTERBALANCE	1						

GR-120N-1-00111 12T,X,WINCH(W/O FREE-FALL),JIB(P
PI1250142-00 VALVE,COUNTERBALANCE



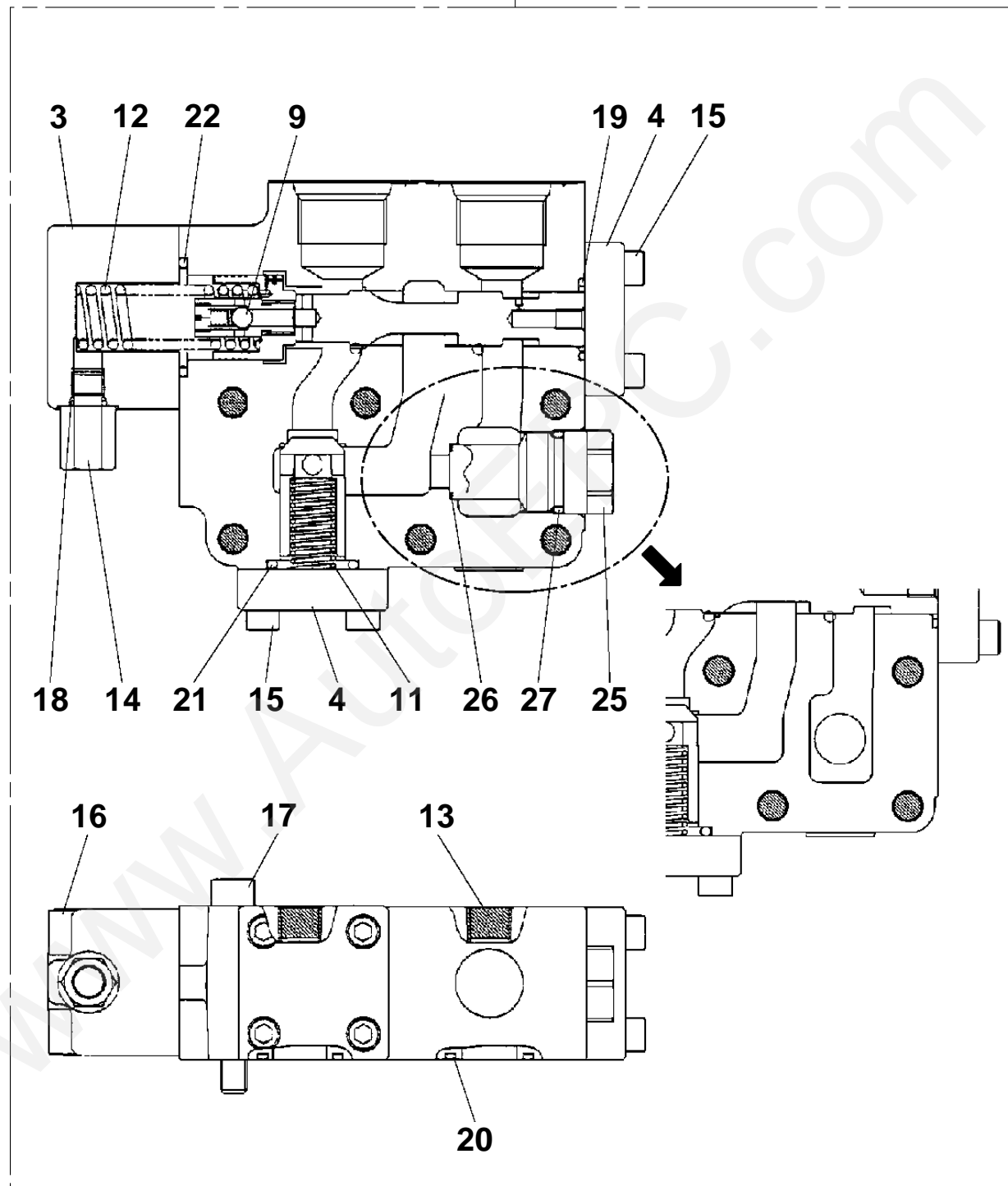
GR-120N-1-00111 12T,X,WINCH(W/O FREE-FALL),JIB(PT)

Pos No.	Parts No	Parts Name	Qty	Unit	Technical Data	Serial No (Start)	Serial No (End)	Remarks	Pages
2	91002801800	O-RING	1		1B P18				
3	91410001800	RING,BACKUP	1		P18				
5	91002801400	O-RING	3		1B P14				
10	91002801000	O-RING	1		1B P10				
14	36605175100	SPRING	1						
17	91002803400	O-RING	1		1B P34				
19	91002802240	O-RING	1		1B P22.4				
100	36605680000	VALVE,COUNTERBALANCE	1						

www.AutoEPC.com

GR-120N-1-00111 12T,X,WINCH(W/O FREE-FALL),JIB(P
PI1250144-00 VALVE,COUNTERBALANCE

100

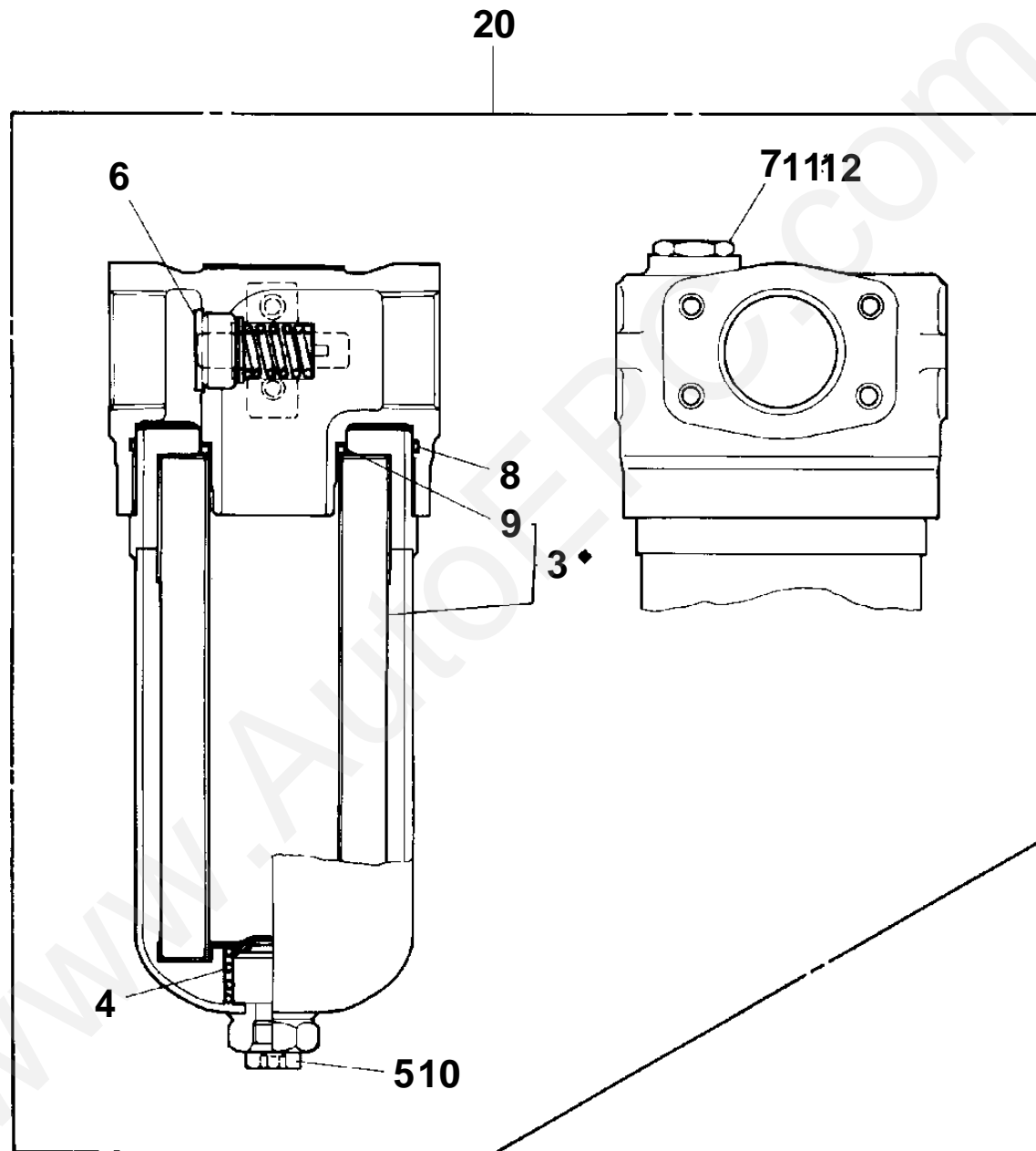


GR-120N-1-00111 12T,X,WINCH(W/O FREE-FALL),JIB(PT)

Pos No.	Parts No	Parts Name	Qty	Unit	Technical Data	Serial No (Start)	Serial No (End)	Remarks	Pages
3	36603855010	COVER	1						
4	36600465040	COVER	2						
9	33474957530	BALL,STEEL	1						
11	36603855040	SPRING	1						
12	36602575020	SPRING	1						
13	80316030040	PLUG	2		PT1/4				
14	36601825040	BUSHING	1						
15	90131906020	BOLT,HEXAGON SOCKET	8		M6X20				
16	90131908040	BOLT,HEXAGON SOCKET	4		M8X40				
17	90131908055	BOLT,HEXAGON SOCKET	6		M8X55				
18	91002800800	O-RING	1		1B P8				
19	91002802000	O-RING	1		1B P20				
20	91002802200	O-RING	2		1B P22				
21	91002802201	O-RING	1		1B P22A				
22	91002903000	O-RING	1		1B G30				
100	36605620001	VALVE,COUNTERBALANCE	1						

www.AutoEPC.com

GR-120N-1-00111 12T,X,WINCH(W/O FREE-FALL),JIB(P
PI1300013-02 FILTER,OIL (TORQUE CONVERTER)

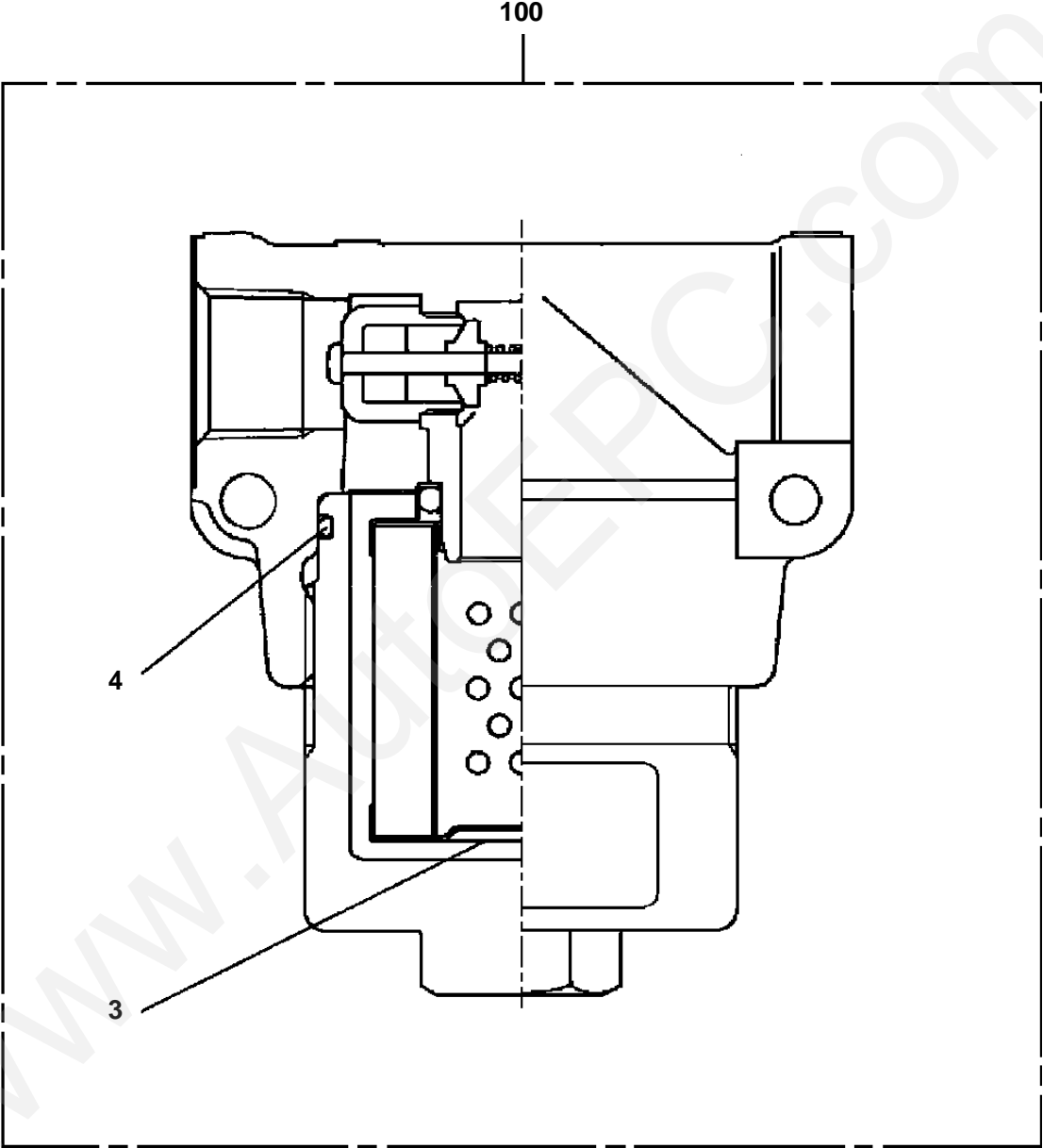


GR-120N-1-00111 12T,X,WINCH(W/O FREE-FALL),JIB(PT)

Pos No.	Parts No	Parts Name	Qty	Unit	Technical Data	Serial No (Start)	Serial No (End)	Remarks	Pages
3	36671279510	ELEMENT	1				FD0316		
	36671275070	ELEMENT	1			FD0317			
4	36671275020	SPRING	1						
5	36671275030	PLUG (DRAIN)	1						
6	36671275040	VALVE,RELIEF	1						
7	36671275050	PLUG	1						
8	36671275060	O-RING	1				FD0316		
	91001209000	O-RING	1		1A G90	FD0317			
9	91001103600	O-RING	1		1A P36	FD0317			
10	91001101400	O-RING	1		1A P14				
11	91002801800	O-RING	1		1B P18				
12	91001101400	O-RING	1		1A P14				
20	36671270000	FILTER,OIL (TORQUE CONVERTER)	1						

www.AutoEPC.com

GR-120N-1-00111 12T,X,WINCH(W/O FREE-FALL),JIB(P
PI1300043-02 FILTER ASSY (WATER)



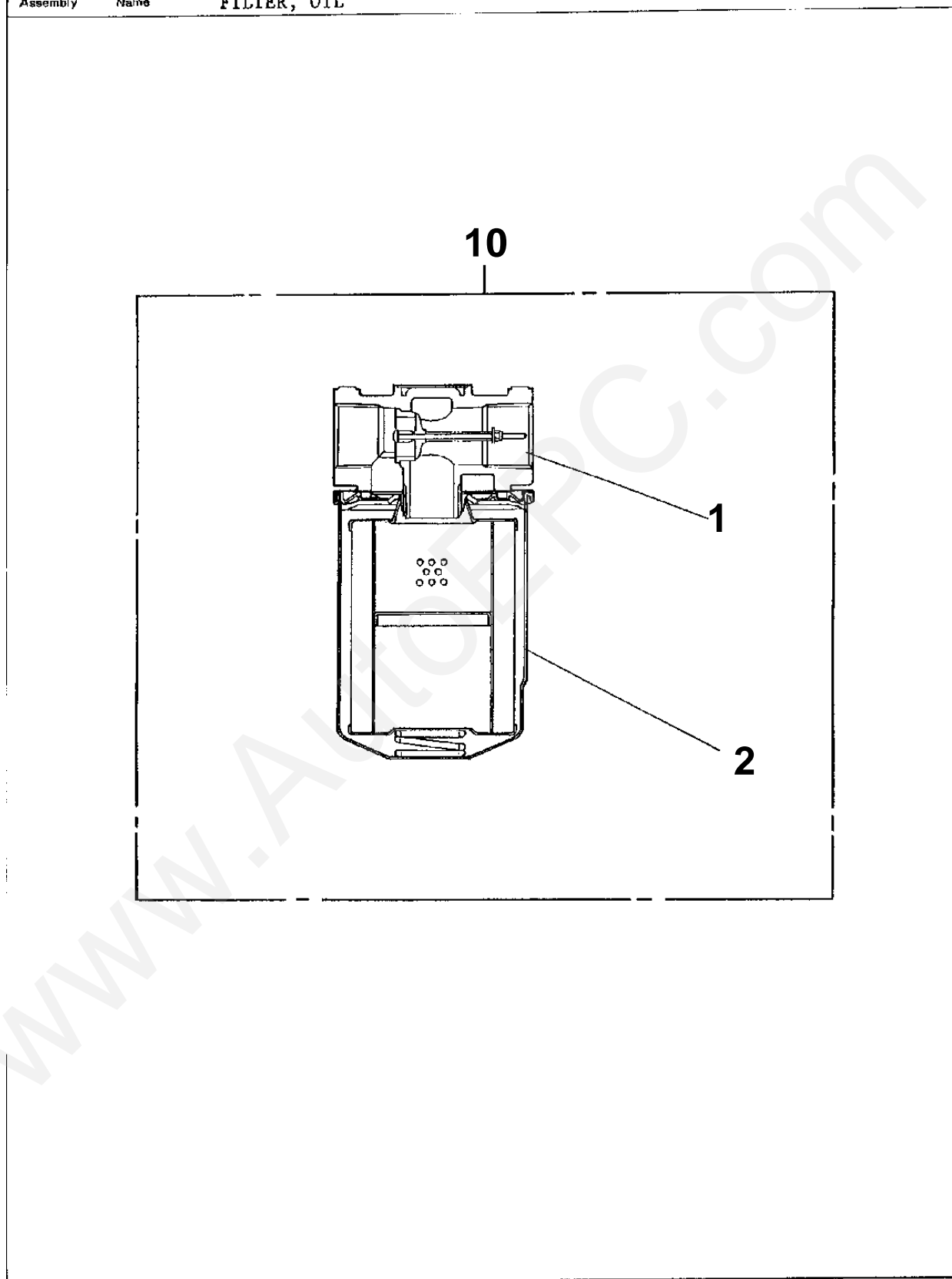
GR-120N-1-00111 12T,X,WINCH(W/O FREE-FALL),JIB(PT)

Pos No.	Parts No	Parts Name	Qty	Unit	Technical Data	Serial No (Start)	Serial No (End)	Remarks	Pages
3	34781957520	ELEMENT,FILTER	1						
4	34781957530	O-RING	1						
100	34781951000	FILTER ASSY (WATER)	1						

www.AutoEPC.com

GR-120N-1-00111 12T,X,WINCH(W/O FREE-FALL),JIB(P
PI1300061-02 FILTER,OIL (YAMASHIN)

Assembly Name FILTER, OIL

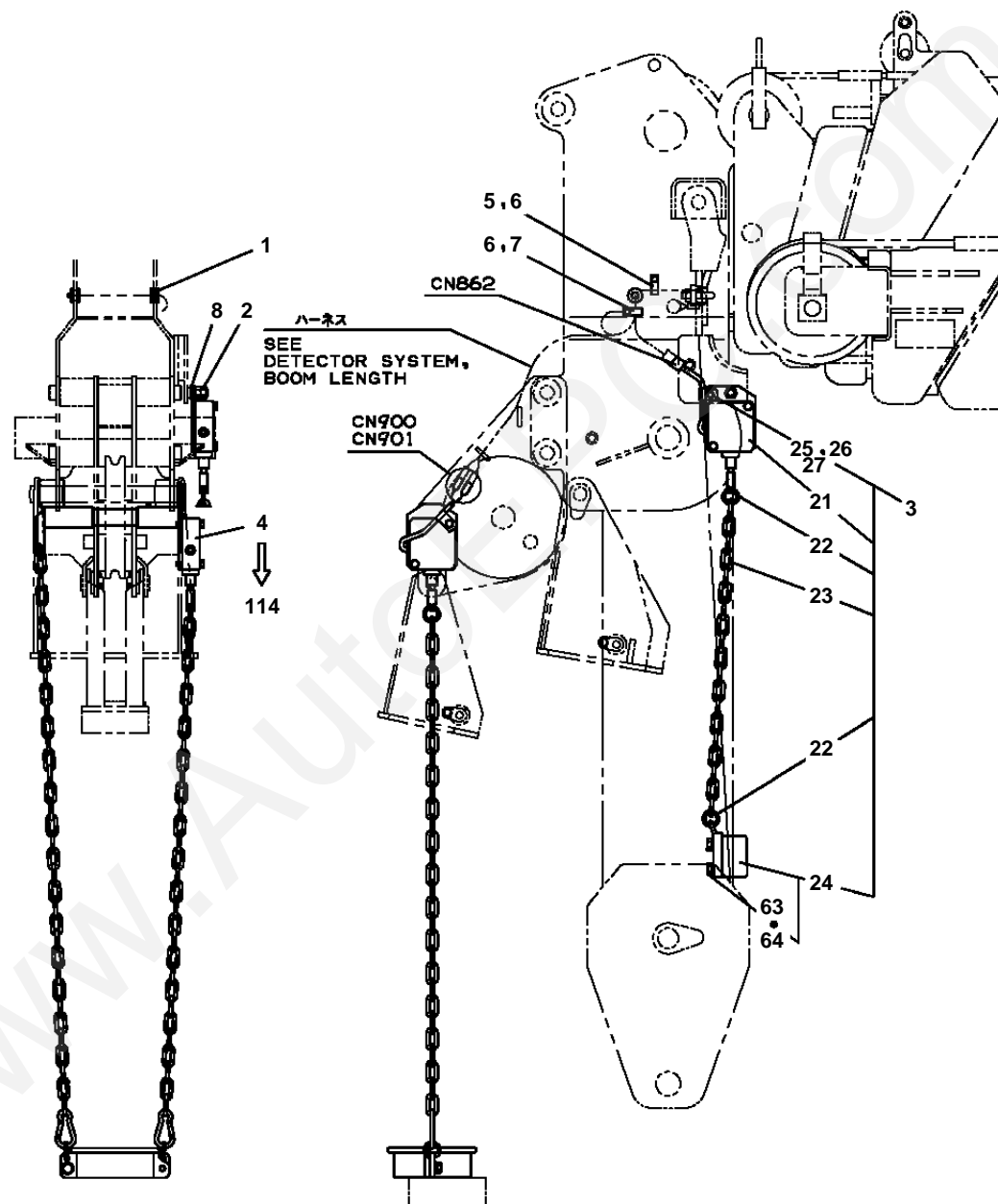


GR-120N-1-00111 12T,X,WINCH(W/O FREE-FALL),JIB(PT)

Pos No.	Parts No	Parts Name	Qty	Unit	Technical Data	Serial No (Start)	Serial No (End)	Remarks	Pages
1	36672285010	HEAD ASSY	1						
2	36670109511	FILTER,CARTRIDGE	1						
10	36672280000	FILTER,OIL (YAMASHIN)	1						

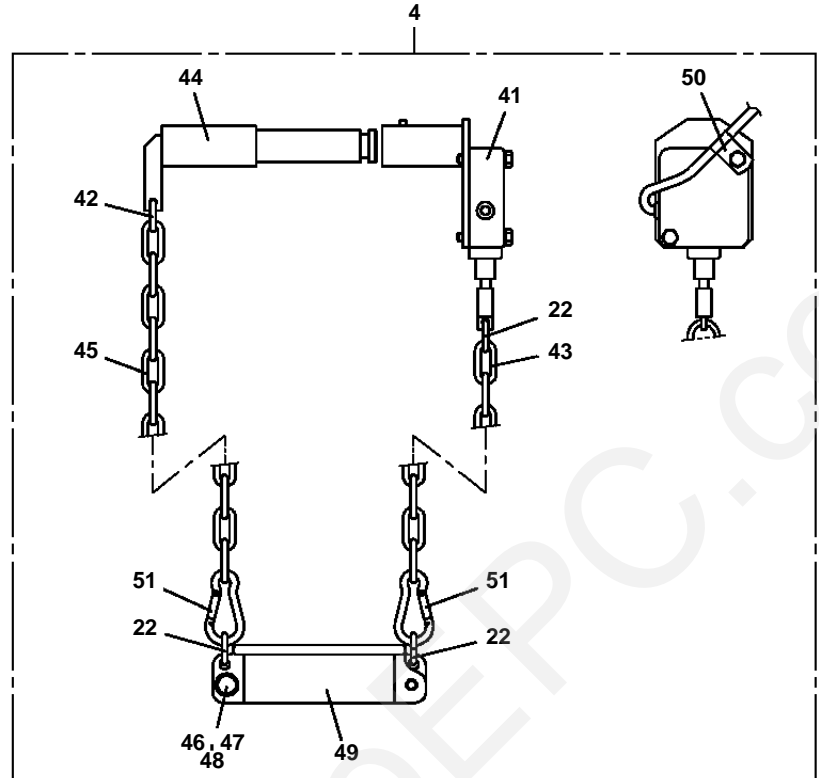
www.AutoEPC.com

GR-120N-1-00111 12T,X,WINCH(W/O FREE-FALL),JIB(P.T)
PI5070002-02 INDICATOR ASSY,OVERWIND (BOOM & S/T)

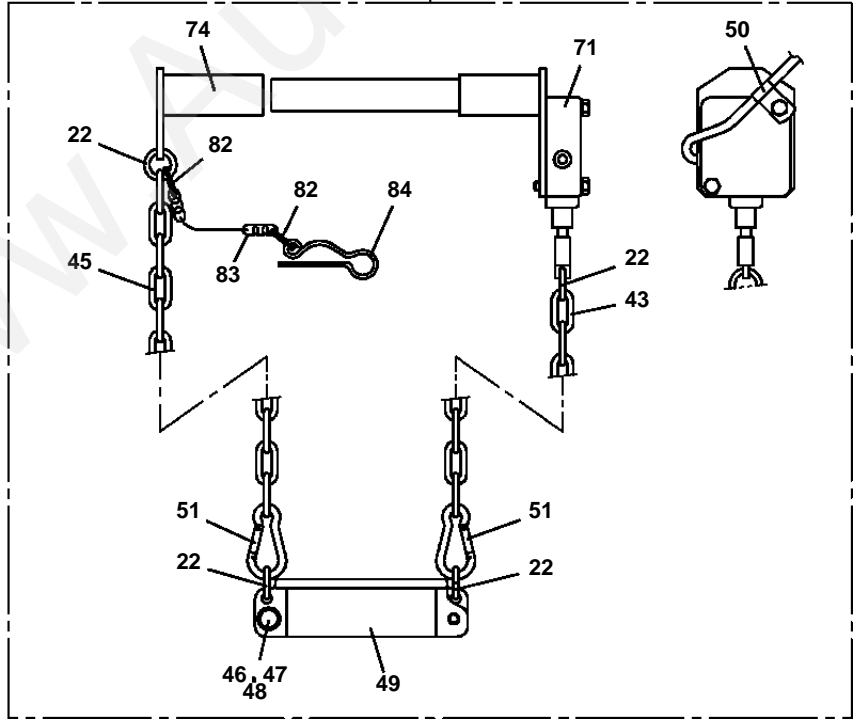


展開図有
ILLUSTRATED BREAKDOWN NO.4,114

GR-120N-1-00111 12T,X,WINCH(W/O FREE-FALL),JIB(PT)
PI5070002-02 INDICATOR ASSY,OVERWIND (BOOM & S/T)



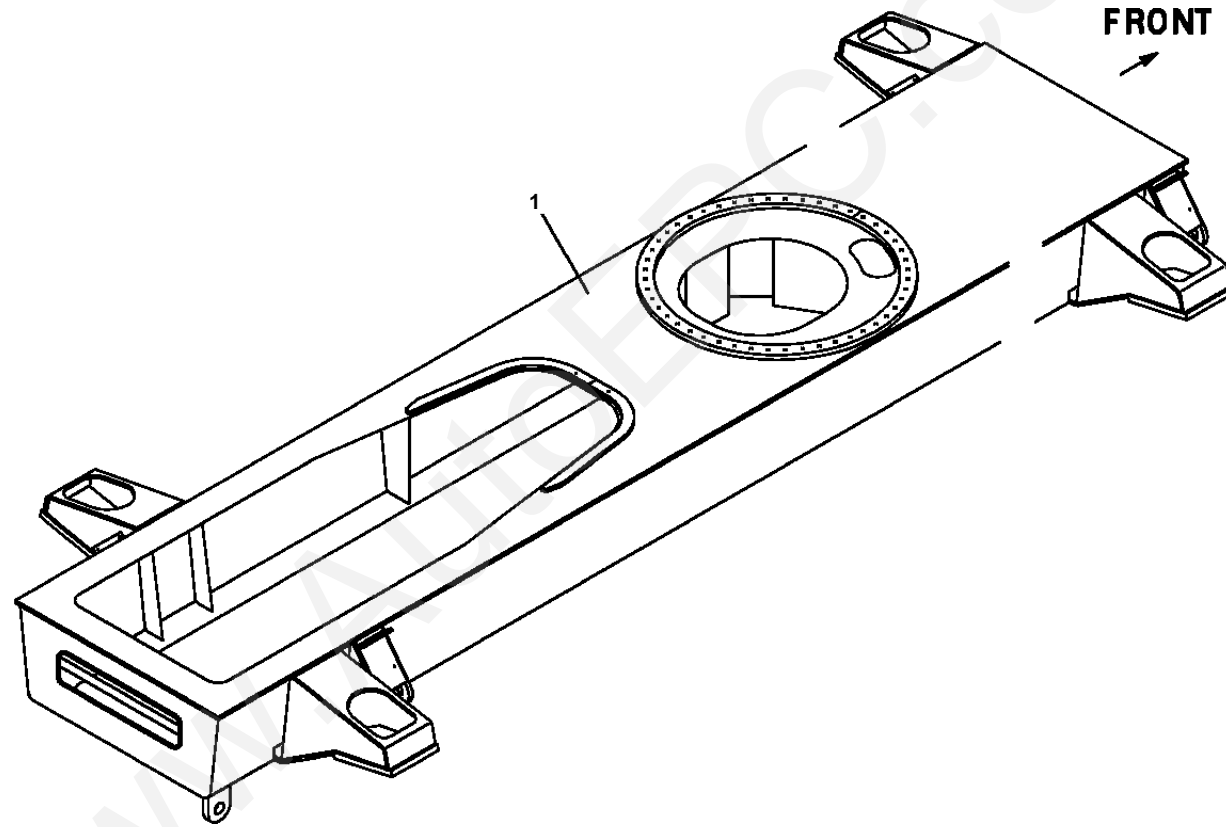
114



GR-120N-1-00111 12T,X,WINCH(W/O FREE-FALL),JIB(PT)

Pos No.	Parts No	Parts Name	Qty	Unit	Technical Data	Serial No (Start)	Serial No (End)	Remarks	Pages
1	14118158000	GROMMET	2						
2	90201201200	NUT	2		M12				
3	34372231000	SWITCH ASSY (BOOM)	1						
4	34372232000	SWITCH ASSY (JIB & S/T)	1				FD1440		
5	8210000207	CLAMP	1				FD0457		
	82100002002	CLAMP	1		WR6	FD0458			
6	90441340080	SCREW,TAPPING	2		M4X8		FD0457		
	90280200800	NUT,FLANGE	2		M8	FD0458			
7	8210000206	CLAMP	1		WT12		FD0457		
	82100002008	CLAMP	1		WR12	FD0458			
8	90303071201	WASHER,PLAIN	1		12				
21	34372231100	SWITCH (OVER WIND/BOOM)	1				FD1306		000296
	34371851500	SWITCH (OVER WIND/BOOM)	1			FD1307			000297
22	14128208000	RING	6						
23	34372231010	CHAIN (RING Q=19)	1						
24	32370000130	WEIGHT	1						
25	82100002004	CLAMP	1		WR8				
26	90101206010	BOLT	1		M6X1.0				
27	90302040601	WASHER,SPRING	1		6				
41	34371314101	SWITCH (OVER WIND/JIB & SINGLE TOP)	1				FD1440		000298
43	34372232010	CHAIN (RING Q=30)	1						
44	34371314300	SUPPORT	1				FD1440		
45	34372232020	CHAIN (RING Q=34)	1						
46	90101210025	BOLT	2		M10X25				
47	90302041001	WASHER,SPRING	2		10				
48	90303071001	WASHER,PLAIN	2		10				
49	34371471100	WEIGHT	2						
50	82100002005	CLAMP	1		WRC8				
51	82401500700	HOOK	2						
63	90101208030	BOLT	2		M8X30				
64	90302040801	WASHER,SPRING	2		8				
71	34372502102	SWITCH (OVER WIND/JIB & SINGLE TOP)	1			FD1307			000300
	34372502100	SWITCH (OVER WIND/JIB & SINGLE TOP)	1			FD1441	FD1650		000299
74	34372502300	SUPPORT	1			FD1441	FD1650		
	34372502301	SUPPORT	1			FD1651			
82	82400000324	RING	2			FD1441			
83	82400000340	CHAIN (QTY=L)	1	M		FD1441			
84	37000201110	PIN,SNAP	1			FD1441			
114	34372232001	SWITCH ASSY (JIB & S/T)	1				FD1650		
	34372232002	SWITCH ASSY (JIB & S/T)	1			FD1651			

GR-120N-1-00111 12T,X,WINCH(W/O FREE-FALL),JIB(P
PK1011210-00 FRAME

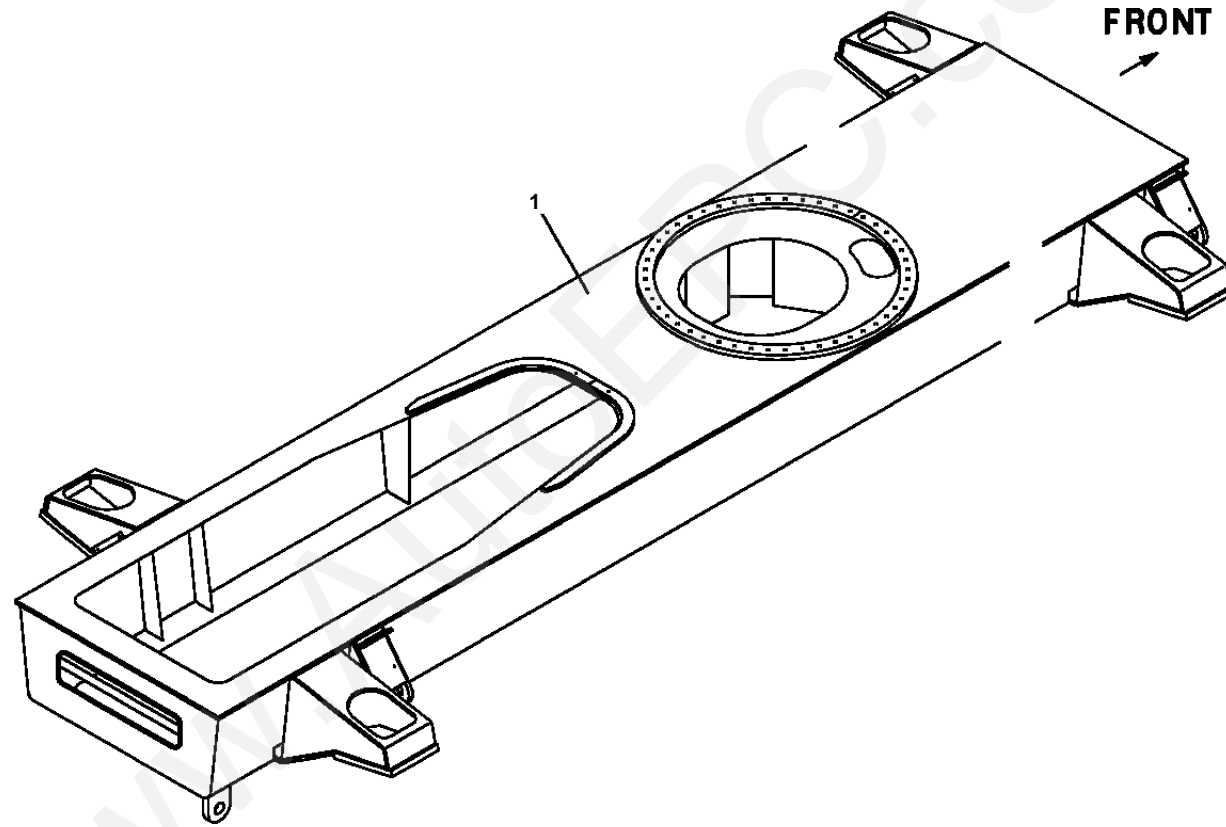


GR-120N-1-00111 12T,X,WINCH(W/O FREE-FALL),JIB(PT)

Pos No.	Parts No	Parts Name	Qty	Unit	Technical Data	Serial No (Start)	Serial No (End)	Remarks	Pages
1	34620598020	FRAME	1						

www.AutoEPC.com

GR-120N-1-00111 12T,X,WINCH(W/O FREE-FALL),JIB(P
PK1011210-00 FRAME

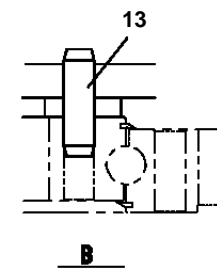
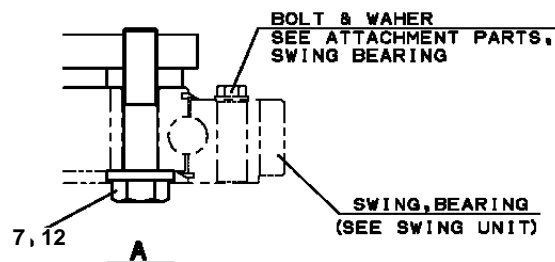
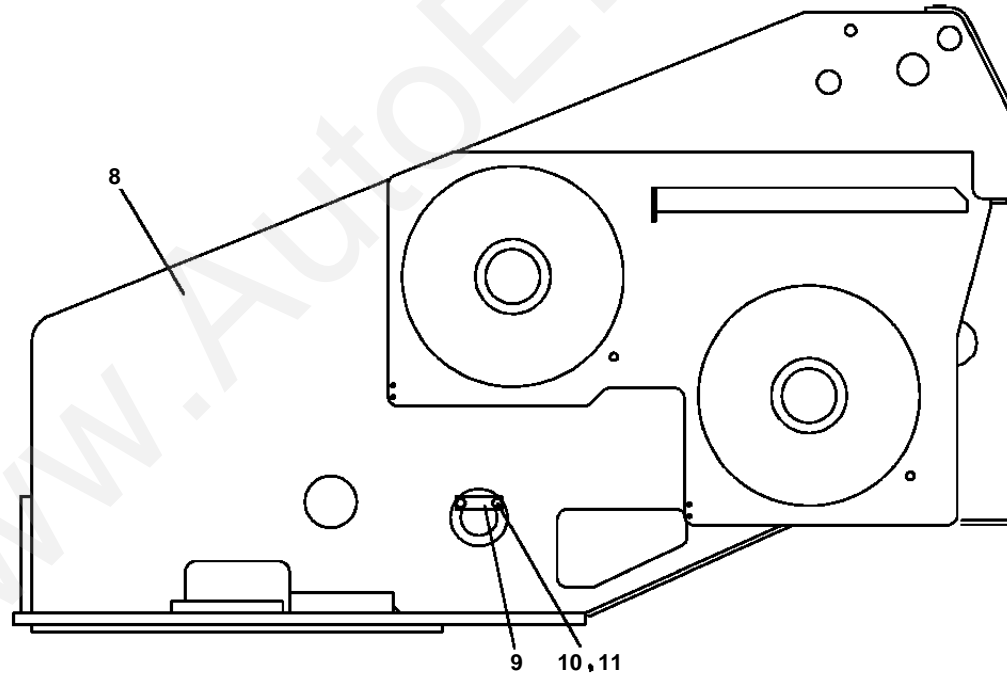
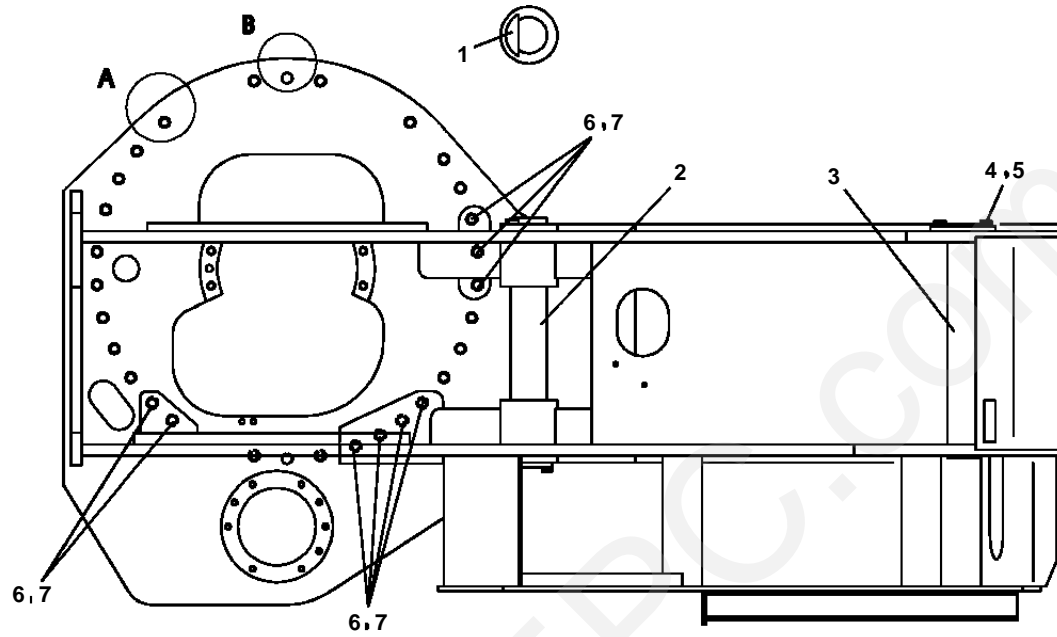


GR-120N-1-00111 12T,X,WINCH(W/O FREE-FALL),JIB(PT)

Pos No.	Parts No	Parts Name	Qty	Unit	Technical Data	Serial No (Start)	Serial No (End)	Remarks	Pages
1	34620598021	FRAME	1						

www.AutoEPC.com

GR-120N-1-00111 12T,X,WINCH(W/O FREE-FALL),JIB(P.T)
PK1100329-01 SWING FRAME

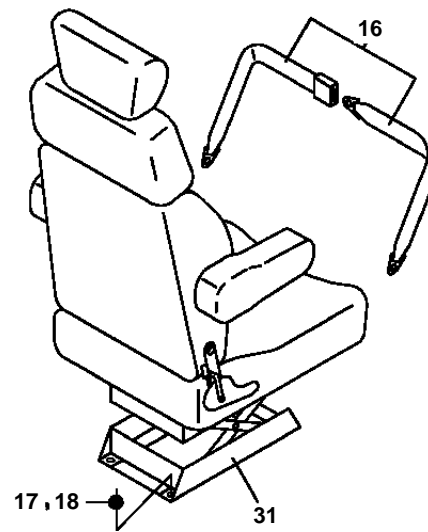
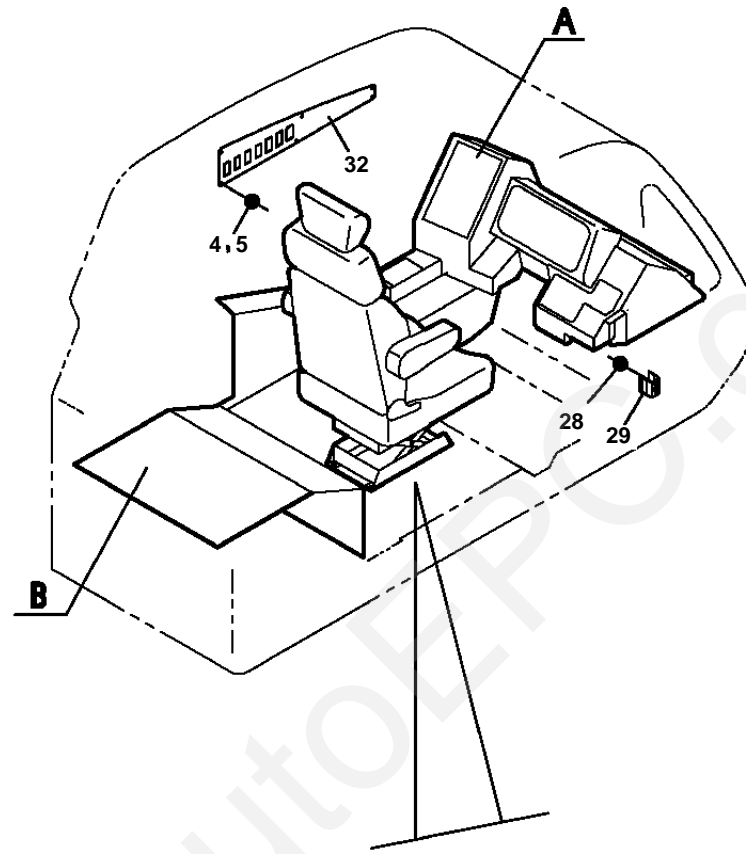


GR-120N-1-00111 12T,X,WINCH(W/O FREE-FALL),JIB(PT)

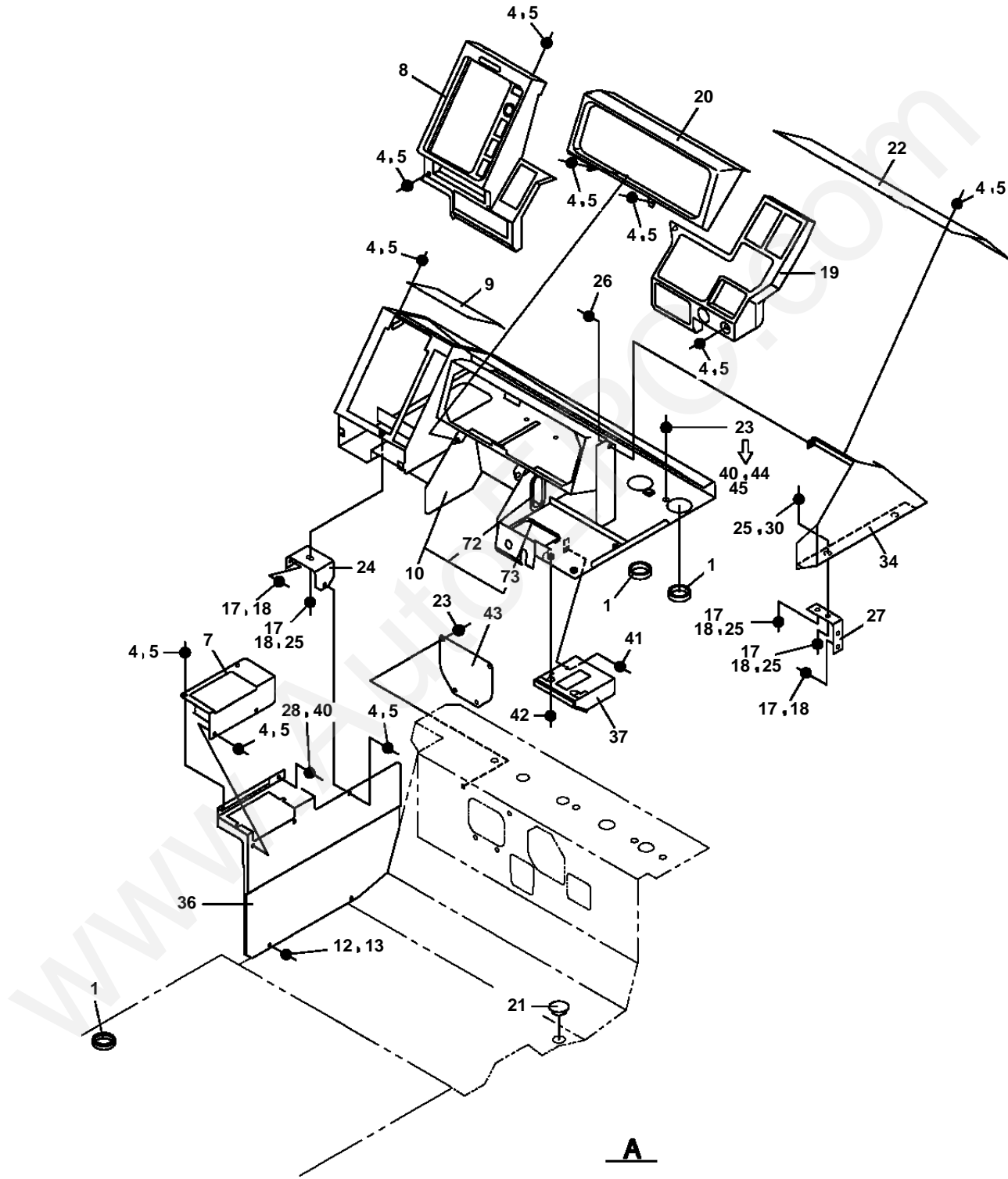
Pos No.	Parts No	Parts Name	Qty	Unit	Technical Data	Serial No (Start)	Serial No (End)	Remarks	Pages
1	34230700100	PLATE	1						
2	37000166260	PIN	1						
3	34230700200	PIN	1						
4	90101512030	BOLT	4		M12X30				
5	90302041201	WASHER,SPRING	4		12				
6	37001503600	BOLT	9		M22X110				
7	90303502201	WASHER,PLAIN	28		22				
8	34230941000	FRAME	1						
9	37000542760	PLATE	1						
10	90101510025	BOLT	2		M10X25				
11	90302041001	WASHER,SPRING	2		10				
12	37001508030	BOLT	19		22X100				
13	37000155370	PIN	2		20				

www.AutoEPC.com

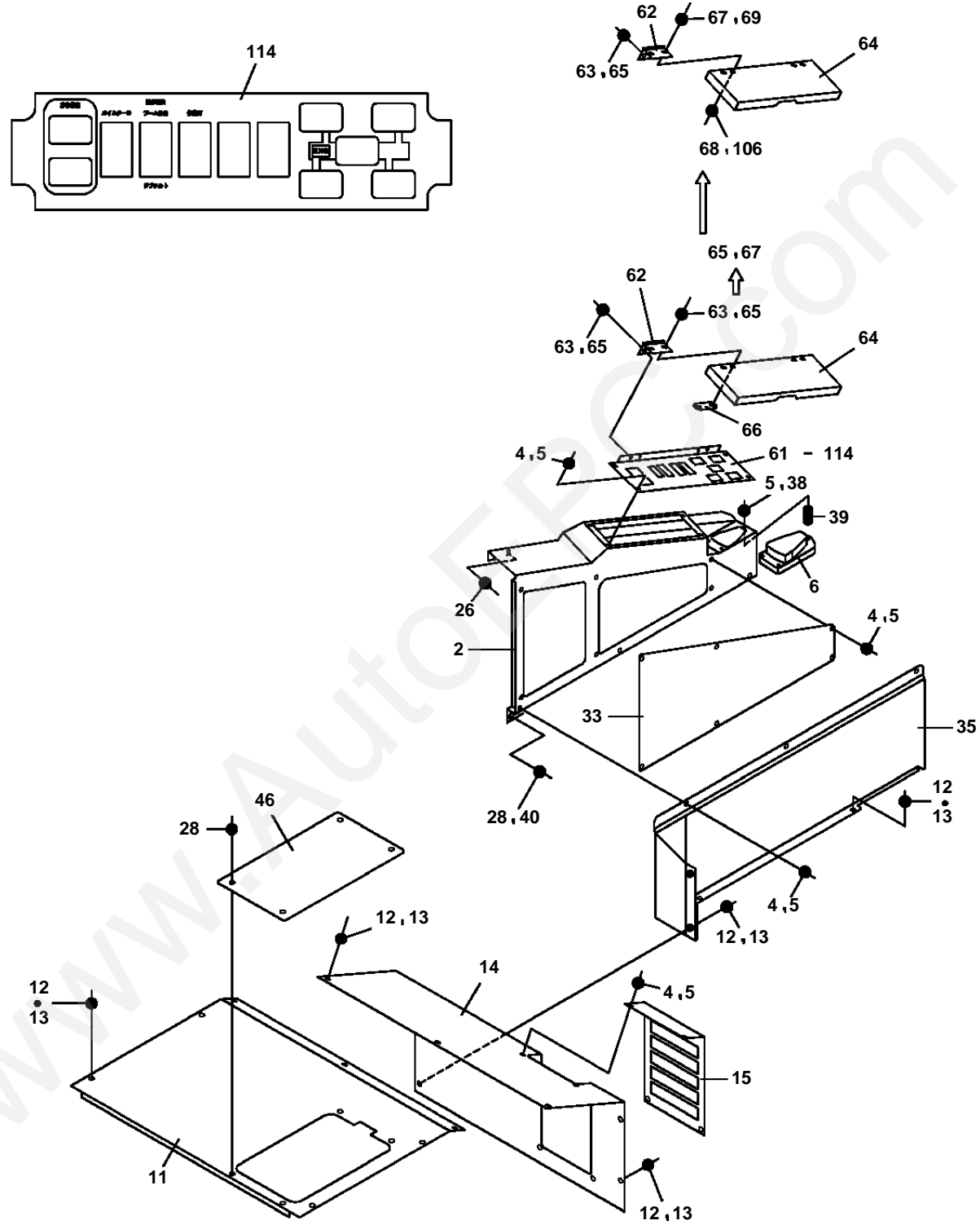
GR-120N-1-00111 12T,X,WINCH(W/O FREE-FALL),JIB(P.T)
PK1120198-04 SWING TABLE



GR-120N-1-00111 12T,X,WINCH(W/O FREE-FALL),JIB(P.T)
PK1120198-04 SWING TABLE



GR-120N-1-00111 12T,X,WINCH(W/O FREE-FALL),JIB(P.T)
PK1120198-04 SWING TABLE



B

GR-120N-1-00111 12T,X,WINCH(W/O FREE-FALL),JIB(PT)

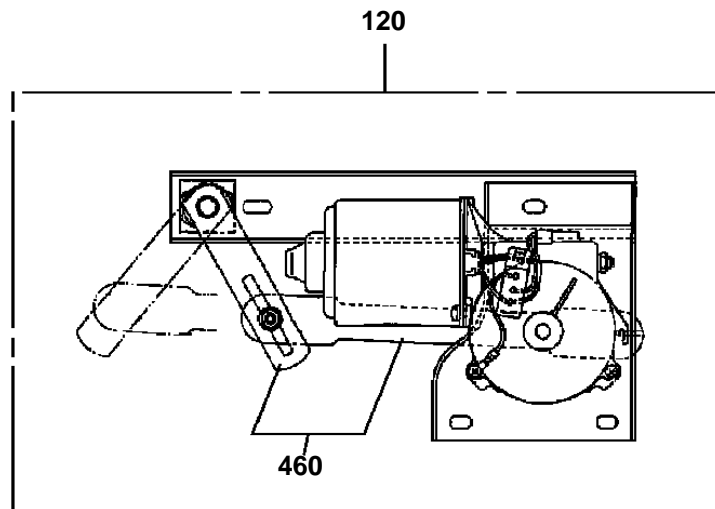
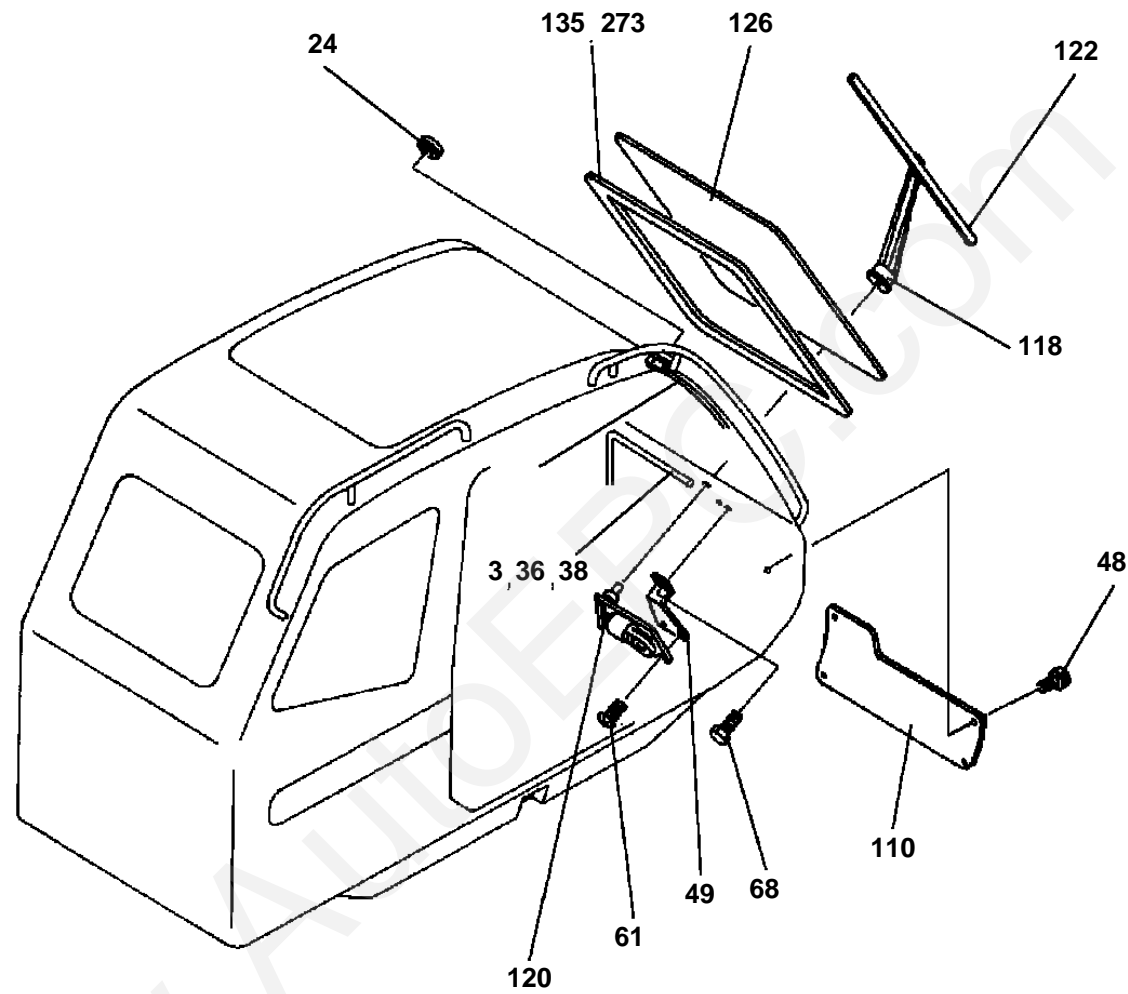
Pos No.	Parts No	Parts Name	Qty	Unit	Technical Data	Serial No (Start)	Serial No (End)	Remarks	Pages
1	8210000957	GROMMET	3		SG-38A				
2	34251200800	PANEL	1						
4	80176405012	SCREW,MACHINE	45		M5X12				
5	90305260501	WASHER	48		B1-5				
6	34251200500	LEVEL GAUGE	1						000090
7	34250881400	COVER	1						
8	34251220400	PANEL	1						
9	34250881901	COVER	1						
10	34251220200	SUPPORT	1						
11	34251200600	COVER	1						
12	80186406016	SCREW,MACHINE	16		M6X16				
13	90305260601	WASHER	16		B1-6				
14	34251221000	COVER	1						
15	34251201300	COVER	1						
16	34250360200	BELT	1						
17	90101210022	BOLT	11		M10X22				
18	90302041001	WASHER,SPRING	11		10				
19	34251220300	PANEL	1						
20	34251220500	PANEL	1						
21	82121800010	PLUG (OTUKA)	1						
22	34251221300	COVER	1						
23	99172108020	BOLT,TAPPING	4		M8X20				
24	34250882500	SUPPORT	1						
25	90303071001	WASHER,PLAIN	4		10				
26	99172106012	BOLT,TAPPING	5		M6X12				
27	34250882400	SUPPORT	1						
28	80192486014	SCREW,MACHINE (WITH WASHER)	7		M6X14		FD0428		
	80192486014	SCREW,MACHINE (WITH WASHER)	11		M6X14	FD0429			
29	34250380200	SUPPORT	1						
30	90201201000	NUT	1		M10				
31	34251220100	SEAT,OPERATOR	1				FD0502		000150
	34251192000	SEAT,OPERATOR	1			FD0503	FD1600		000151
	34251192001	SEAT ASSY	1			FD1601			000289
32	34251221200	PANEL	1						
33	34250881601	COVER	1						
34	34250880601	SUPPORT	1						
35	34251200900	COVER	1						
36	34251200700	PANEL	1						
37	82400000468	TRAY,ASH	1						
38	80176405025	SCREW,MACHINE	3		M5X25				
39	37001200180	SPRING	3						
40	90303070801	WASHER,PLAIN	10		8				
41	80192484012	SCREW,MACHINE (WITH WASHER)	1		M4X12				
42	80192485014	SCREW,MACHINE (WITH WASHER)	2		M5X14				
43	34251221400	COVER	1						
44	99191208020	BOLT,TAPPING (M8X20)	4						
45	90302040801	WASHER,SPRING	4		8				
46	34251221700	COVER	1			FD0429			
61	34251291150	PANEL	1						
62	34251221600	HINGE	2				FD1440		
	34251221601	HINGE	2			FD1441			
63	80172804008	SCREW,MACHINE	8		M4X8		FD0841		
	80172804008	SCREW,MACHINE	4		M4X8	FD0842			
64	34251201400	COVER	1						
65	90302040401	WASHER,SPRING	8		4		FD1440		
	90302510401	WASHER,SPRING	4		4	FD1441			

GR-120N-1-00111 12T,X,WINCH(W/O FREE-FALL),JIB(PT)

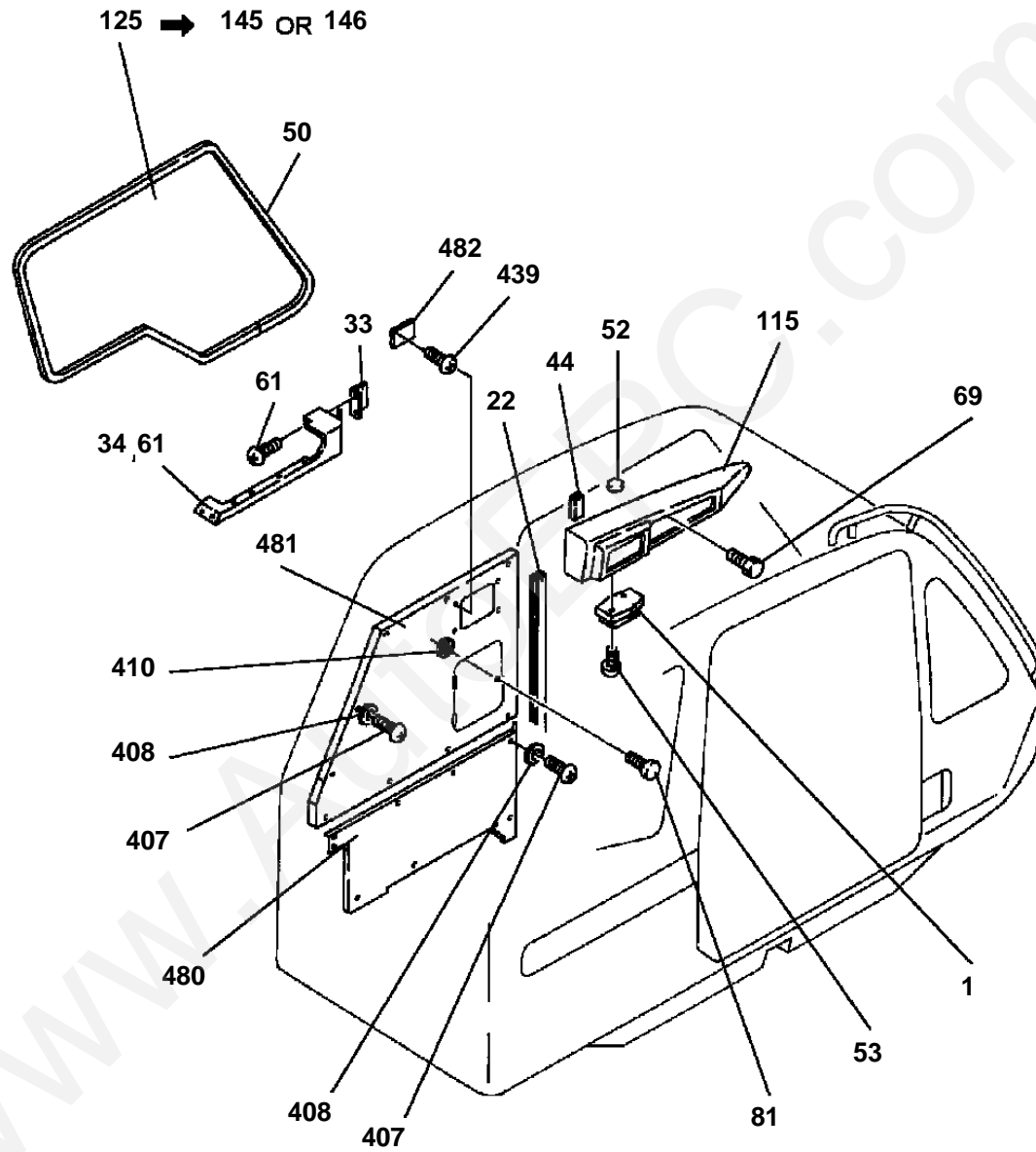
Pos No.	Parts No	Parts Name	Qty	Unit	Technical Data	Serial No (Start)	Serial No (End)	Remarks	Pages
66	34251221500	PLATE	2				FD1440		
67	80172804010	SCREW,MACHINE	4		M4X10	FD0842	FD1440		
	80172803010	SCREW,MACHINE	4		M3X10	FD1441			
68	90303520301	WASHER,PLAIN	4		3	FD1441			
69	90302510301	WASHER,SPRING (SUS 3)	4			FD1441			
72	82400000203	GROMMET	1		L=250				
73	82400000202	GROMMET	3						
106	90201500300	NUT	4		M3	FD1441			
114	34251291200	PLATE,NAME	1			FD2105			

www.AutoEPC.com

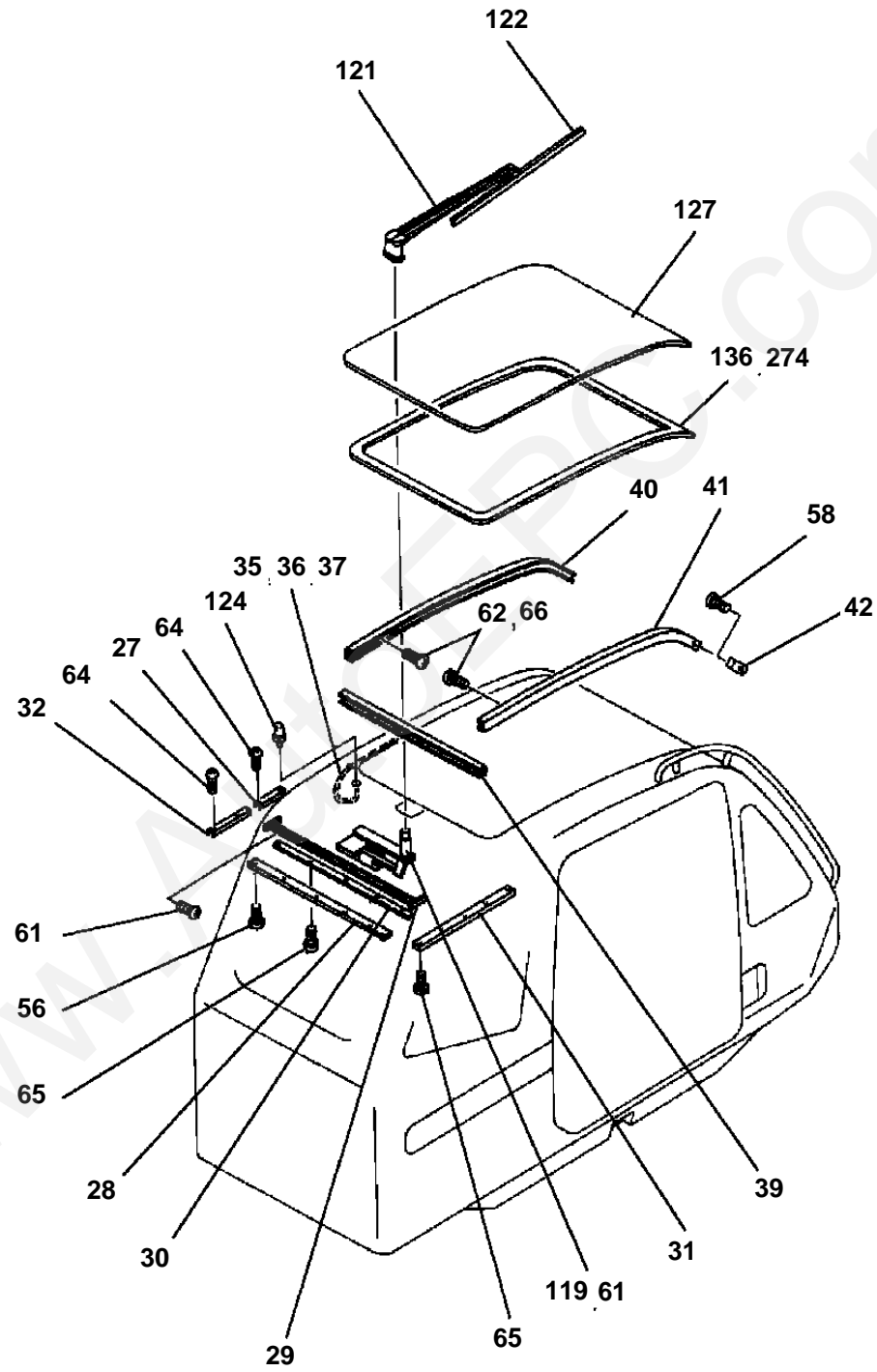
GR-120N-1-00111 12T,X,WINCH(W/O FREE-FALL),JIB(P
PK1140165-07 CAB,OPERATOR



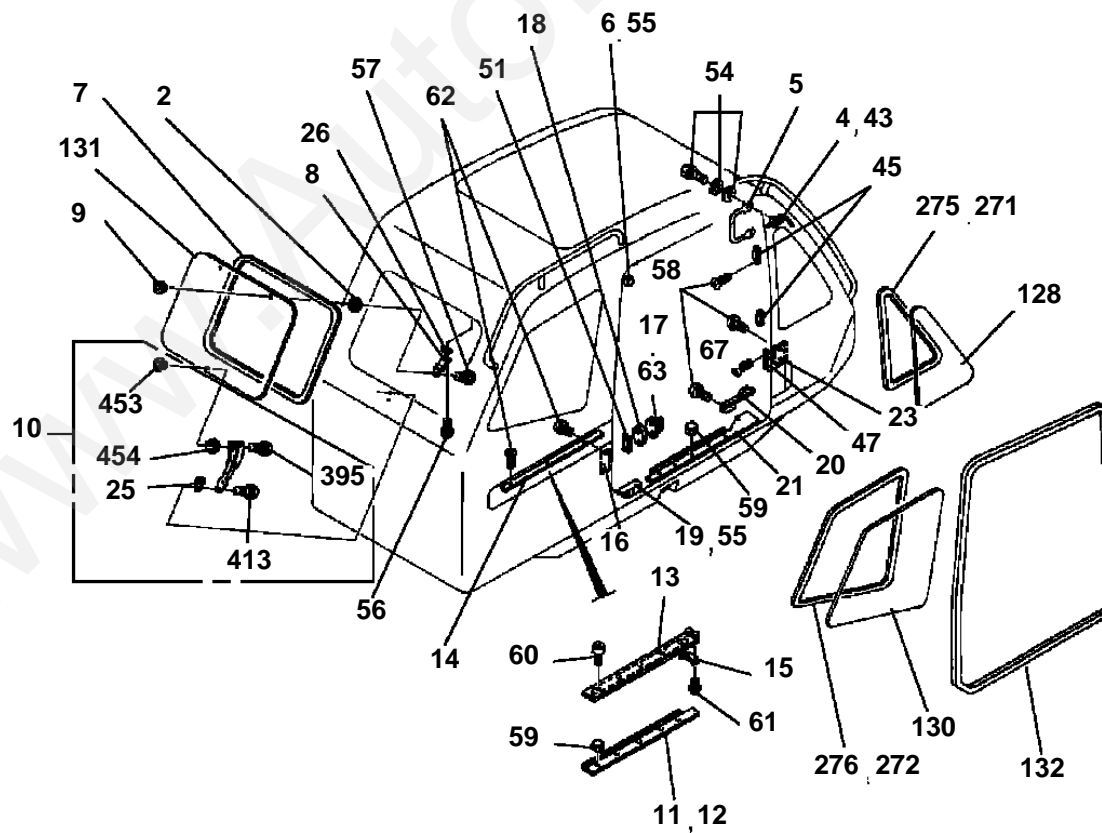
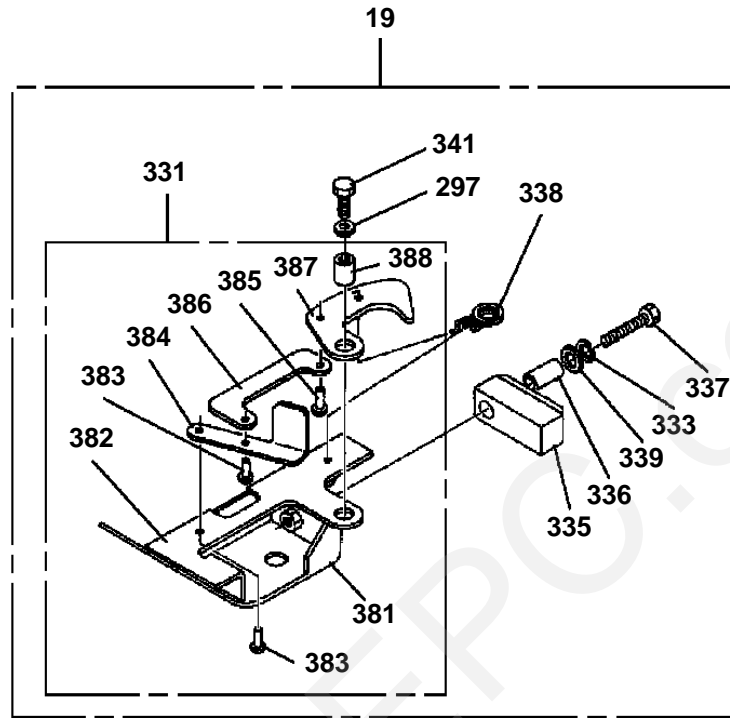
GR-120N-1-00111 12T,X,WINCH(W/O FREE-FALL),JIB(P
PK1140165-07 CAB,OPERATOR



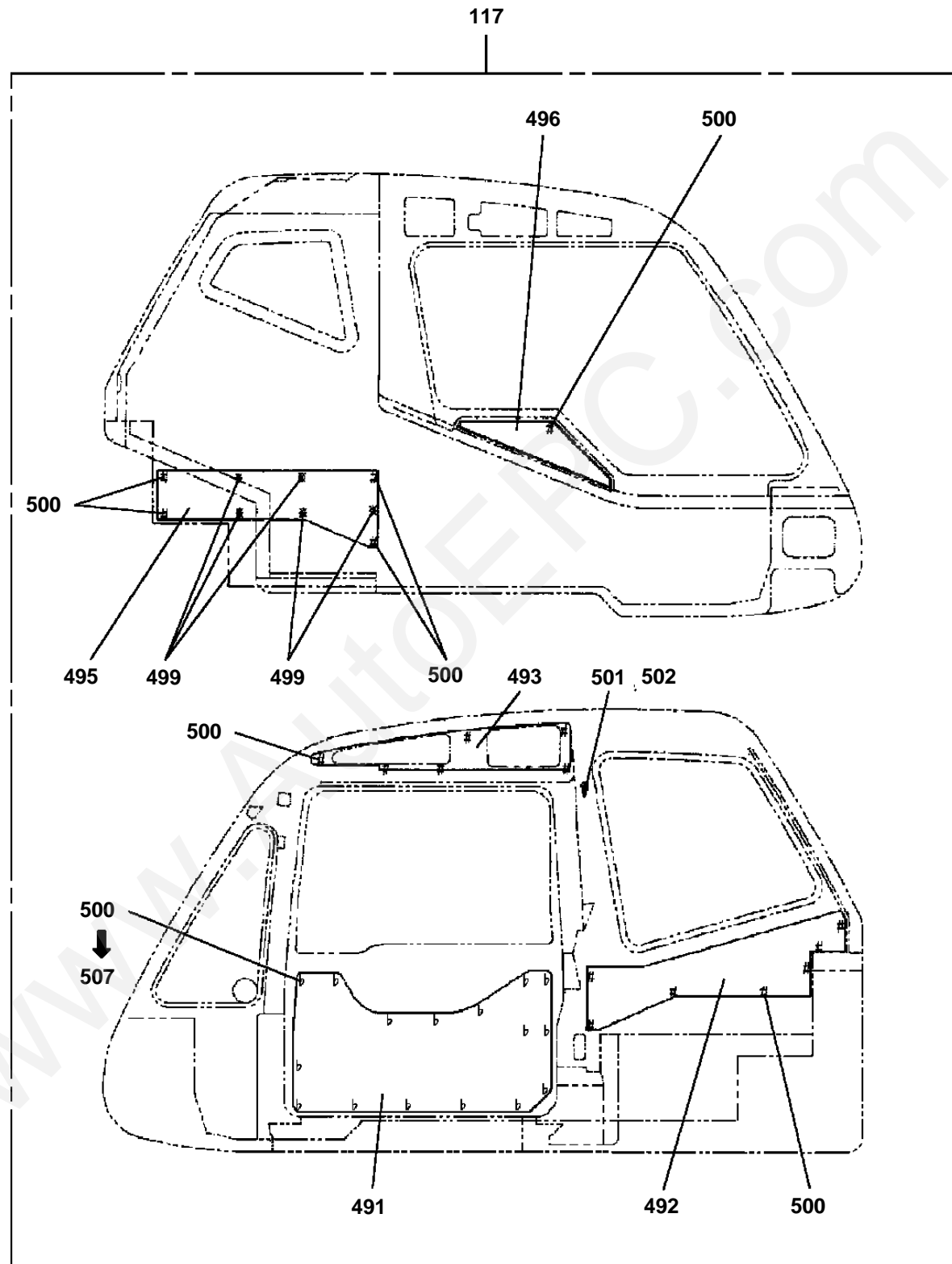
GR-120N-1-00111 12T,X,WINCH(W/O FREE-FALL),JIB(P
PK1140165-07 CAB,OPERATOR



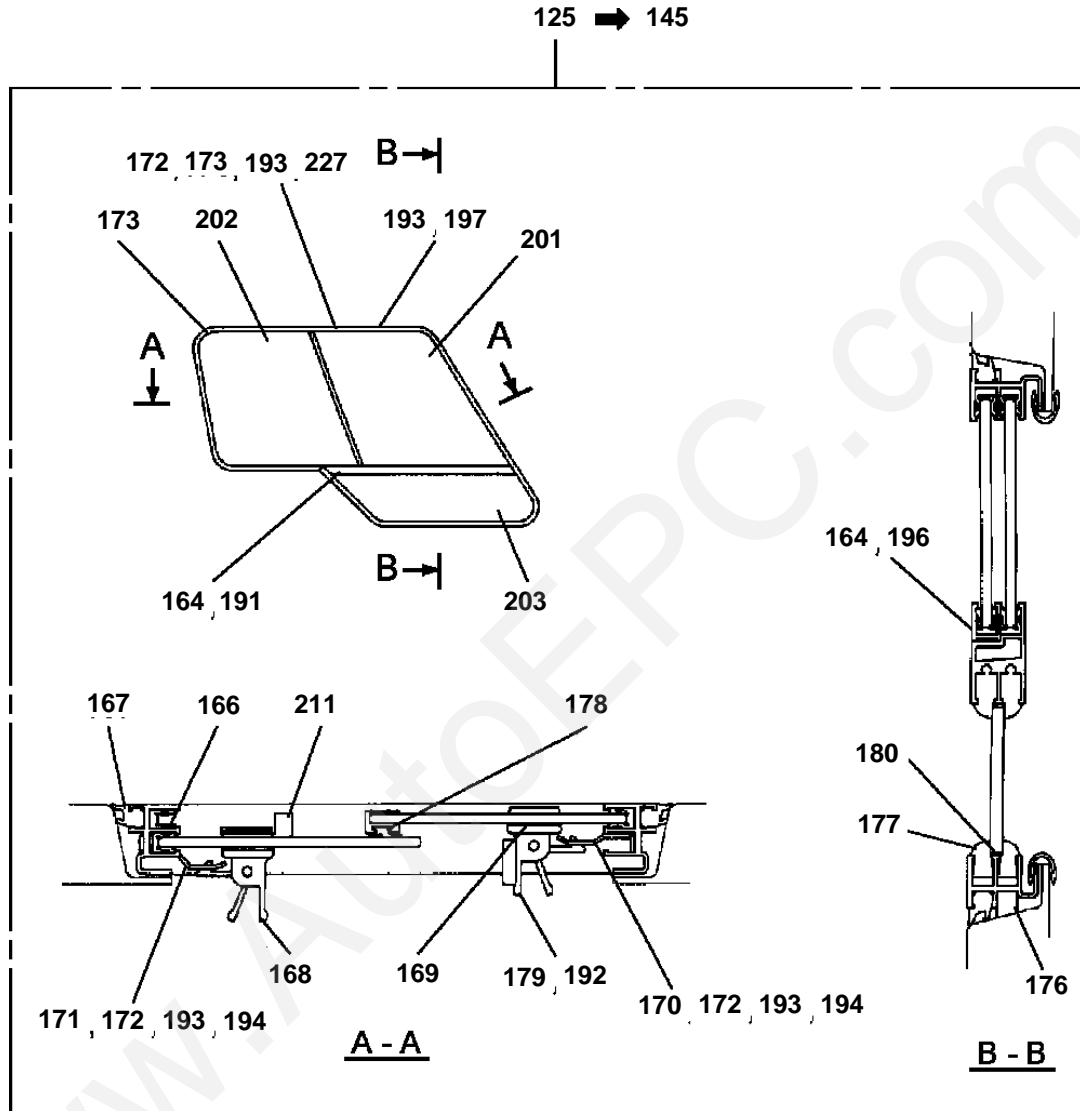
GR-120N-1-00111 12T,X,WINCH(W/O FREE-FALL),JIB(P
PK1140165-07 CAB,OPERATOR



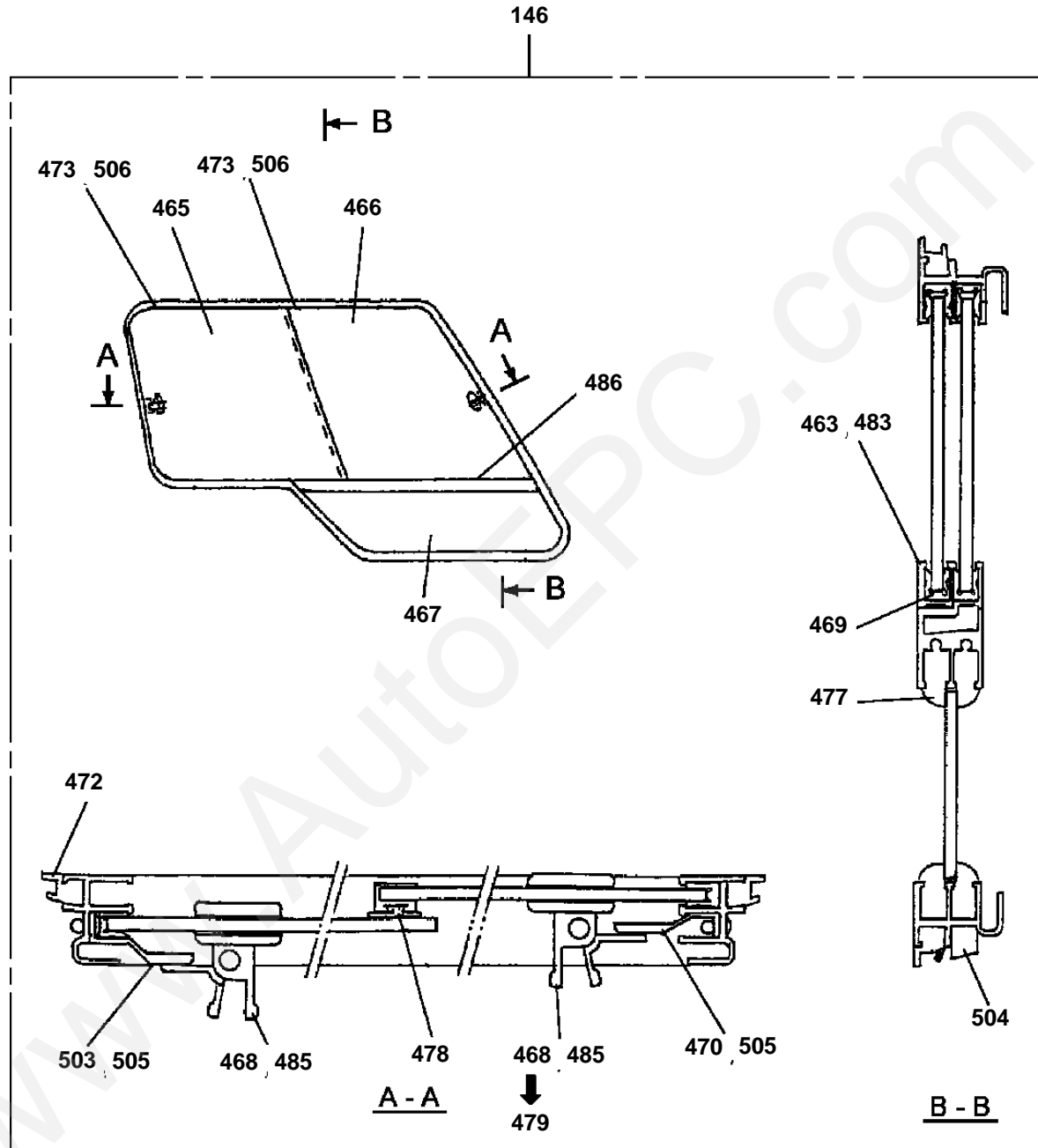
GR-120N-1-00111 12T,X,WINCH(W/O FREE-FALL),JIB(P
PK1140165-07 CAB,OPERATOR



GR-120N-1-00111 12T,X,WINCH(W/O FREE-FALL),JIB(P
PK1140165-07 CAB,OPERATOR



GR-120N-1-00111 12T,X,WINCH(W/O FREE-FALL),JIB(P
PK1140165-07 CAB,OPERATOR



GR-120N-1-00111 12T,X,WINCH(W/O FREE-FALL),JIB(PT)

Pos No.	Parts No	Parts Name	Qty	Unit	Technical Data	Serial No (Start)	Serial No (End)	Remarks	Pages
1	34260637720	LAMP,ROOM	2						
2	33260495130	PACKING	2						
3	82400000201	GROMMET	1		KG-016				
4	82100000951	GROMMET	1						
5	34260637730	HANDLE	1						
6	34260637740	STOPPER	1						
7	34260639170	WEATHER STRIP (REAR)	1						
8	34260637750	HOLDER (GLASS)	2						
9	33260015170	NUT (WITH RUBBER)	2		M6				
10	34260237810	HANDLE ASSY (GLASS)	1						
11	34260637760	LINER (SWING ARM)	1						
12	34260035040	SEAL,FASTENER	5						
13	34260637770	RAIL ASSY (REAR)	1						
14	34260637780	COVER	1						
15	34260637790	GUIDE (FRONT)	1						
16	34260637800	COVER	1						
17	34260637810	STRIKER	1						
18	34260637700	LINER (STRAIKER)	1						
19	34260637830	HOOK ASSY	1						
20	34260637840	COVER (UNDER)	1						
21	34260637850	LINER (LOWER ARM)	1						
22	34260657540	RUBBER (U)	1						
23	34260637860	COVER	1						
24	34351500600	GROMMET	1						
25	33260495150	PACKING	1						
26	33260495160	PACKING	2						
27	34260637870	SUPPORT	1						
28	34260637880	SUPPORT	1						
29	34260637890	SUPPORT	1						
30	34260637900	SUPPORT	1						
31	34260637910	SUPPORT	1						
32	34260637920	SUPPORT	1						
33	34260637930	SUPPORT	1						
34	34260637940	COVER	1						
35	19218101010	VALVE,CHECK	1						
36	91810130240	FASTENER	2						
37	34260637950	TUBE	1		6X4,L=3000				
38	34260637960	TUBE	1						
39	34260637970	RUBBER (U)	1						
40	34260637980	RAIL	1						
41	34260637990	RAIL	1						
42	34260639110	SUPPORT	1						
43	82100000537	SWITCH (DOOR)	1						
44	34260657550	RUBBER (U)	1						
45	34260035230	SUSPENDER,SLIDE	2						
47	34260639120	SEAT (JUNCTION)	1						
48	34260639130	SCREW	4						
49	34260639140	SUPPORT (MOTOR)	1						
50	34260639150	RUBBER (U)	1						
51	34260639160	SUPPORT	1						
52	82100001697	PLUG	1		OBS-13				
53	34260657660	SCREW,MACHINE (WITH PW)	4		M5X25				
54	34260657670	BOLT (WITH WASHER)	2		M8X20				
55	34260657580	BOLT,HEXAGON SOCKET(WITH WASHER)	3		M8X16				
56	80192484016	SCREW,MACHINE	9		M4X16				
57	80192486010	SCREW,MACHINE	2		M6X10				

GR-120N-1-00111 12T,X,WINCH(W/O FREE-FALL),JIB(PT)

Pos No.	Parts No	Parts Name	Qty	Unit	Technical Data	Serial No (Start)	Serial No (End)	Remarks	Pages
58	80192486012	SCREW,MACHINE	9		M6X12				
59	90240200600	NUT,CAP	11		M6				
60	34260657680	BOLT,HEXAGON SOCKET(WITH WASHER)	5		M8X16				
61	34260657640	SCREW,MACHINE (WITH SW,PW)	20		M6X16				
62	80192485016	SCREW,MACHINE	7		M5X16				
63	34260657690	SCREW,MACHINE	2		M8X35				
64	80192486016	SCREW,MACHINE	4		M6X16				
65	34260657700	SCREW,MACHINE (WITH PW)	10		M4X14				
66	34260657710	SCREW,MACHINE (WITH PW)	10		M5X12				
67	34260657720	SCREW,MACHINE	2		M5X16				
68	99172106016	BOLT,TAPPING	2		M6X16				
69	99172106012	BOLT,TAPPING	7		M6X12				
81	16612232000	SCREW	1		M6				
110	34260632100	COVER (FRONT)	1						
115	34260692150	COVER (SWITCH PANEL)	1						
116	34260657560	DOOR ASSY	1						
117	34260887520	TRIM ASSY	1						
118	34260313220	CAB,OPERATOR (ARM ASS,WIPER)	1						000149
119	34260361200	MOTOR,WIPER	1						
120	34260233200	MOTOR,WIPER (WITH/LINK)	1						
121	34260313210	ARM ASSY (WIPER)	1						
122	34260233220	BLADE,WIPER	2						
123	34260581200	REGULATOR,WINDOW	1						
124	34260581210	NOZZLE	1						
125	34260632250	SASH (ARUNA KOKI)	1						
126	34260581231	GLASS (FRONT)	1		T=6.8				
127	34260581241	GLASS (ROOF T=6)	1						
128	34260581251	GLASS (RIGHT-FRONT)	1		T=4				
129	34260581261	GLASS (DOOR)	1		T=4				
130	34260581271	GLASS (RIGHT-REAR)	1		T=4				
131	34260581281	GLASS (REAR)	1		T=4				
132	34260233260	WEATHER STRIP (L=3900,DOOR)	1						
133	34260581400	WEATHER STRIP (DOOR GLASS LAN L=2800)	1						
134	34260632210	WEATHER STRIP (DOOR WATER CUT L=850)	2						
135	34260581420	WEDGE (FRONT T=6.8)	1						
136	34260632220	WEDGE (ROOF T=6)	1						
140	34260581500	JUNCTION	1						
152	34260581320	REGULATOR,WINDOW	1						
153	34260581330	MOTOR ASSY (REGULATOR)	1						
164	34260639180	RAIL	1						
166	34260639190	RUN CHANNEL	2						
167	34260639200	WATER STRIP	1						
168	34260639210	LOCK ASSY	1						
169	34260639220	PACKING (LOCK)	1						
170	32260228190	STRIKER (FRONT)	1						
171	34260639230	STRIKER (REAR)	1						
172	34260639240	LINING	3						
173	34260639250	STOPPER	3						
176	34260639260	SPACER	5						
177	34260639270	RUBBER (U,SASH GLASS)	2						
178	34260639280	WATER STRIP	1		L=560				
179	34260639290	LOCK ASSY	1						
180	34260639320	PACKING	8						
191	34260639300	SCREW,TAPPING	4		M4X16				
192	32260015460	SCREW,MACHINE	4		M4X7				
193	32260228230	SCREW,MACHINE	5		M3X6				

GR-120N-1-00111 12T,X,WINCH(W/O FREE-FALL),JIB(PT)

Pos No.	Parts No	Parts Name	Qty	Unit	Technical Data	Serial No (Start)	Serial No (End)	Remarks	Pages
194	32260228240	SCREW,MACHINE	2		M3X8				
196	34260639310	SCREW,TAPPING	3		M3X8				
197	32260015490	RIVET	2		3X18				
201	34260639330	GLASS (LEFT-FRONT)	1						
202	34260697520	GLASS (LEFT-REAR)	1						
203	34260697530	GLASS (LEFT-LOWER)	1						
211	34260639360	STOPPER	1						
227	34260639370	SCREW	2		M3X16				
232	34260637520	ARM ASSY (UPPER)	1						
233	34260035220	STRIKER,SLIDE	2						
234	34260239810	HANDLE (INNER)	1						
235	34260239760	REMOTE ASSY (RH)	1						
236	34260637530	ROD	1						
237	34260637540	COVER (OUTER HANDLE)	1						
238	34260637550	ARM ASSY (LOWER)	1						
239	34260637560	LINK (OUTER HANDLE)	1						
240	34260637570	REMOTE ASSY	1						
241	34260239830	CLIP	4						
242	34260637580	PIN	1						
243	34260637590	REMOTE CONTROL ASSY (ROD)	1						
244	82100001140	CLAMP	1		D=6.8				
245	34260637600	COVER (GLASS SUPPORT)	1						
246	34260637610	RUBBER	2						
247	34260637620	ROD (KEY)	1						
248	34260637630	LOCK (RH)	1						
249	34260637640	ARM ASSY (SWING)	1						
250	34260637650	SPRING	1						
251	34260637660	ARM	1						
252	34260239850	PIN	1						
253	80801001210	BEARING,PLAIN	2						
254	34260639450	GROMMET	1						
255	34260005650	KNOB (DOOR LOCK)	1						
256	34260637670	ROD (LOCK)	1						
257	34260239710	HANDLE (DOOR/OUTER)	1						
258	34260632260	CUSHION	1						
261	34260585700	SWITCH,STARTER (WITH CONNECTOR)	1						
262	34260585600	SWITCH ASSY (STARTER & DOOR LOCK SET)	1						
271	34260639380	TRIM (RIGHT-FRONT, L=1650)	1						
272	34260639390	TRIM (RIGHT-REAR,L=2300)	1						
273	34260639400	TRIM (FRONT,L=3600)	1						
274	34260639410	TRIM (ROOF,L=3500)	1						
275	34260639420	WEDGE (RIGHT-FRONT)	1						
276	34260639430	WEDGE (RIGHT-REAR)	1						
277	34260587510	JUNCTION (CAB BODY SIDE)	1						
278	34260587520	JUNCTION (DOOR SIDE)	1						
281	34260639460	ARM	1						
282	80516006900	BEARING,BALL	2						
283	80601110100	RING,RITAINING	4		S10				
291	34260639490	ARM ASSY	1						
292	80720104020	PIN,SPRING	2		4X20				
294	80516006200	BEARING,BALL	2						
296	34260639500	PIN	2						
297	34260639510	WASHER,THRUST	3						
301	34260639540	ROD ASSY (REMOTE)	1						
302	34260639550	ROD	1						
311	34260639560	ARM ASSY	1						

GR-120N-1-00111 12T,X,WINCH(W/O FREE-FALL),JIB(PT)

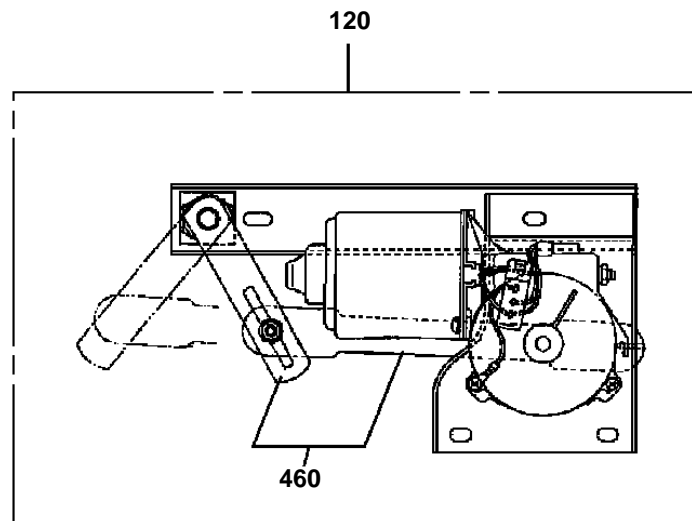
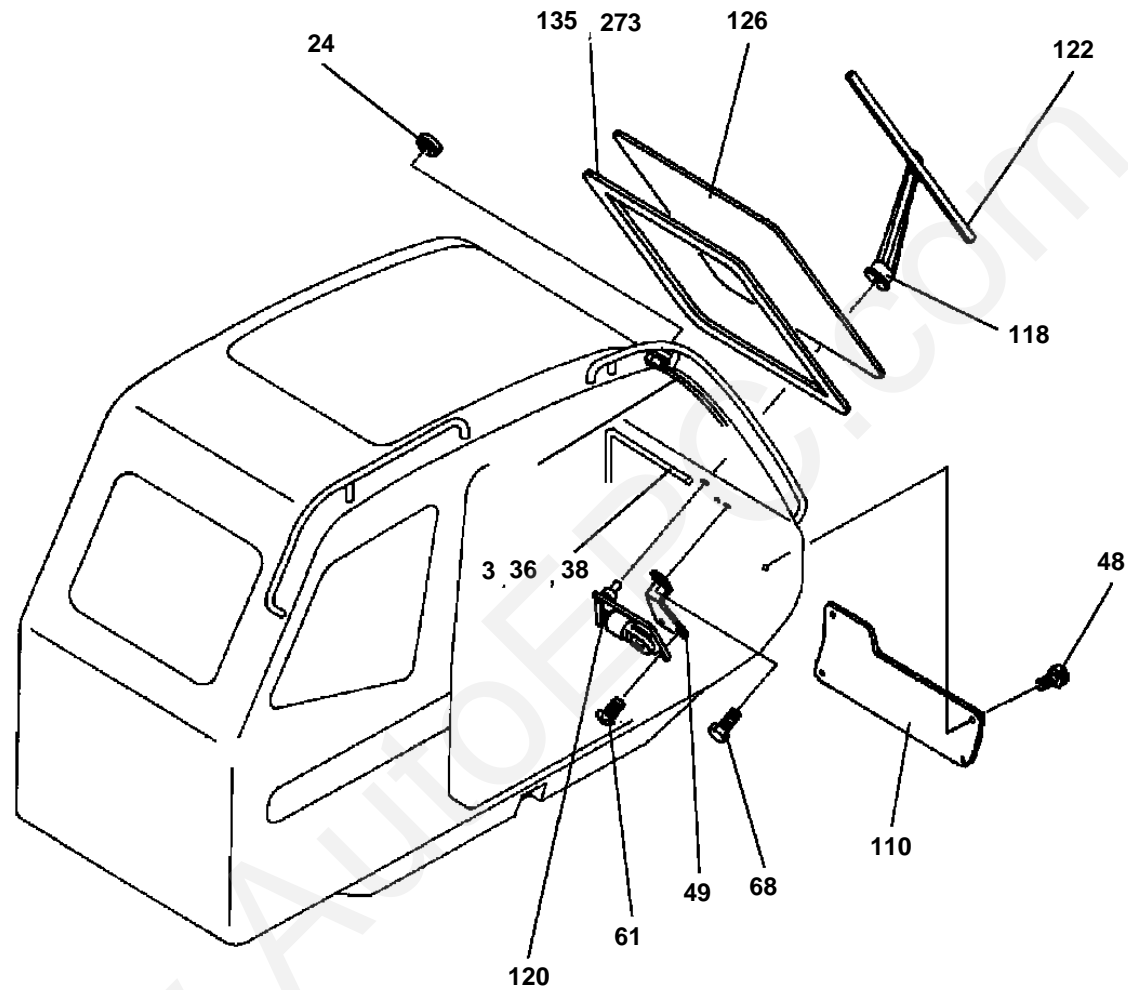
Pos No.	Parts No	Parts Name	Qty	Unit	Technical Data	Serial No (Start)	Serial No (End)	Remarks	Pages
312	80516006000	BEARING,BALL	2						
315	34260639570	WASHER,THRUST	2						
331	34260639600	PLATE	1						
333	90302040601	WASHER,SPRING	1		6				
335	34260639610	STOPPER (RUBBER)	1						
336	34260639620	COLLAR	1						
337	90101206030	BOLT	1		M6X30				
338	34260639630	HOOK (SPRING)	1						
339	90303070801	WASHER,PLAIN	1		8				
341	99172106012	BOLT,TAPPING	1		M6X12				
351	34260639470	PLATE	1						
352	34260639480	PIN	1						
361	34260639520	ARM	1						
362	34260639530	PIN	1						
381	34260639640	PLATE	1						
382	34260639650	PLATE	1						
383	34260639680	PIN	2						
384	34260639690	LEVER	1						
385	34260639700	PIN	1						
386	34260639710	LINK	1						
387	34260639660	HOOK	1						
388	34260639670	PIN	1						
392	80192486016	SCREW,MACHINE	4		M6X16				
393	34260657590	SCREW,MACHINE (WITH PW)	1		M5X16				
394	80185306012	SCREW,MACHINE	5						
395	80192486012	SCREW,MACHINE	2		M6X12				
396	34260657600	BOLT (WITH WASHER)	3		M8X25				
397	90303070501	WASHER,PLAIN	1		5				
398	80136015010	PIN,SPLIT	1		1.5X10				
400	90925040121	SCREW,TAPPING	1						
401	34260657610	SCREW,MACHINE (WITH PW)	10		M4X10				
402	34260657620	SCREW,MACHINE (WITH PW)	3		M6X16				
403	34260657630	BOLT (WITH WASHER))	2		M10X30				
404	80601110120	RING,RITAINING	1		S12				
405	90303071201	WASHER,PLAIN	2		12				
407	34260657650	SCREW,MACHINE	17		M6X16				
408	90305000601	WASHER	17		6				
410	80613110050	RING,RETAINING	1						
413	80192484016	SCREW,MACHINE	2		M4X16				
439	80192484012	SCREW,MACHINE (WITH WASHER)	4		M4X12				
443	90180106012	BOLT,BUTTON	6		M6X12				
444	34260657730	SCREW,MACHINE (WITH PW)	2		M6X10				
445	34260657740	SCREW,MACHINE	4		M5X16				
453	33260015170	NUT (WITH RUBBER)	1		M6				
454	33260495130	PACKING	1						
460	34260239910	LINK ASSY (WIPER)	1						
471	34260581310	SUPPORT	1						
474	34260581340	SCREW,TAPPING	3						
475	82100002261	CONNECTOR (2POLES,MALE)	1						
476	82100002256	TERMINAL	2						
480	34260887530	COVER (BOX)	1						
	34260887531	COVER	1			FD0420	FD0419		
481	34260887540	COVER (BOX)	1						
482	34260887550	COVER	1						
491	34260634211	TRIM	1						
492	34260882320	TRIM	1						

GR-120N-1-00111 12T,X,WINCH(W/O FREE-FALL),JIB(PT)

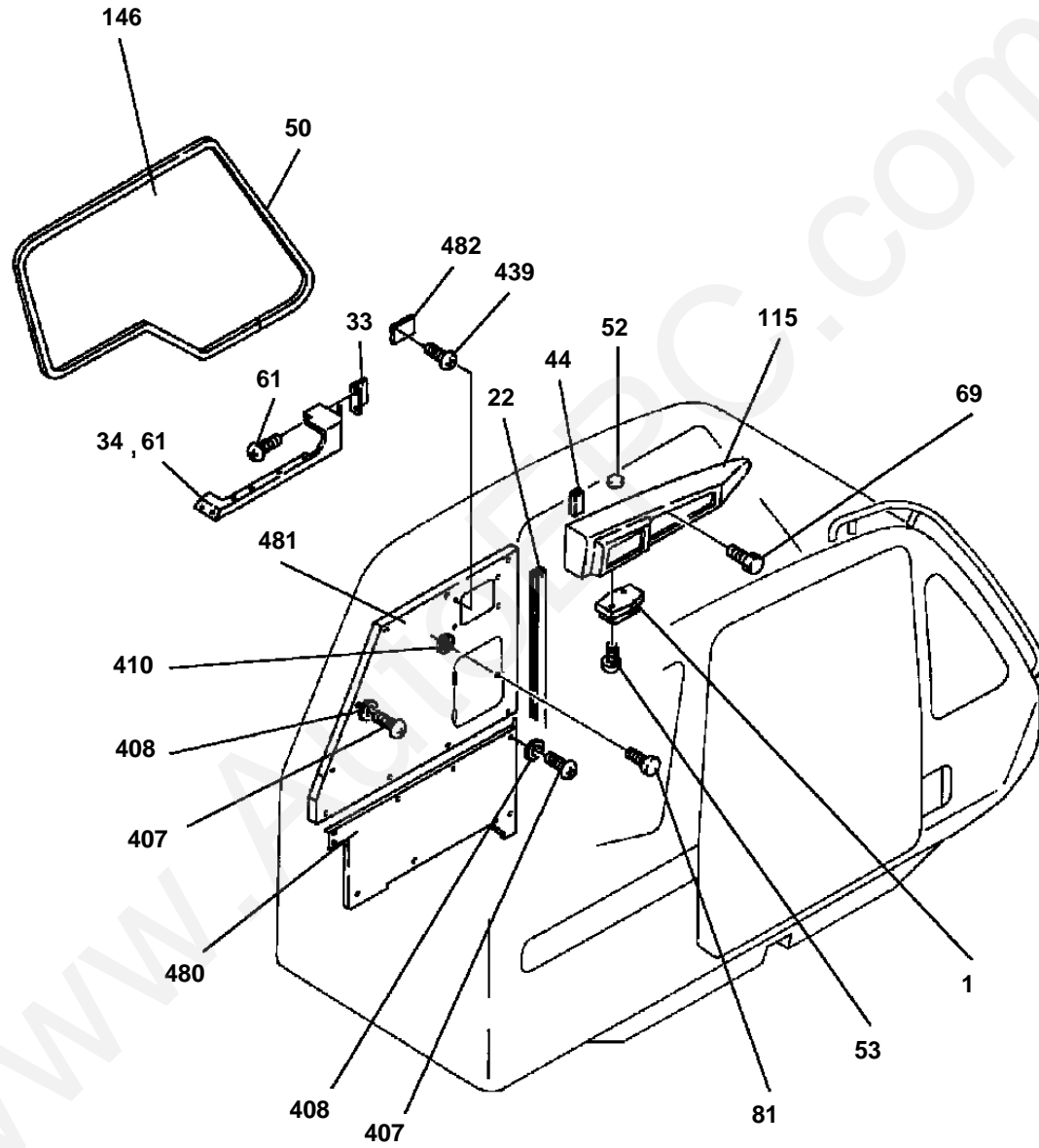
Pos No.	Parts No	Parts Name	Qty	Unit	Technical Data	Serial No (Start)	Serial No (End)	Remarks	Pages
493	34260634230	TRIM	1						
495	34260882350	TRIM	1				FD0419		
496	34260634260	TRIM	1				FD0419		
499	34260634290	CLIP	5				FD0419		
500	34260634280	CLIP	34				FD0259		
	34260634280	CLIP	18			FD0260	FD0419		
	34260634280	CLIP	13			FD0420			
501	34260887560	HANGER	1						
502	80172803010	SCREW,MACHINE	2		M3X10				
507	34260630500	CLIP	16			FD0260			
509	34260237500	RUBBER (BLADE,WIPER)	2		L=714				

www.AutoEPC.com

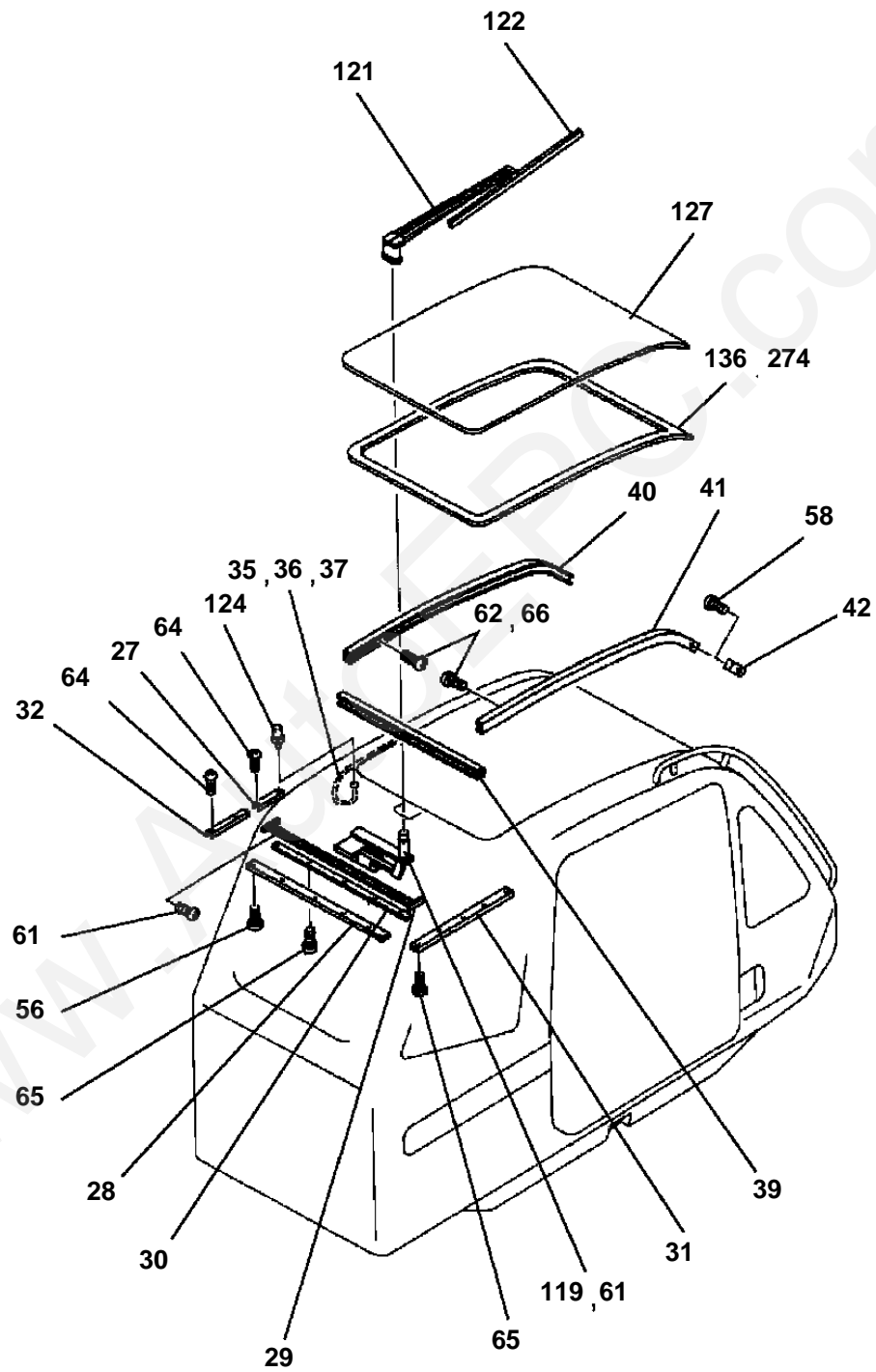
GR-120N-1-00111 12T,X,WINCH(W/O FREE-FALL),JIB(PT)
PK1140172-05 CAB,OPERATOR



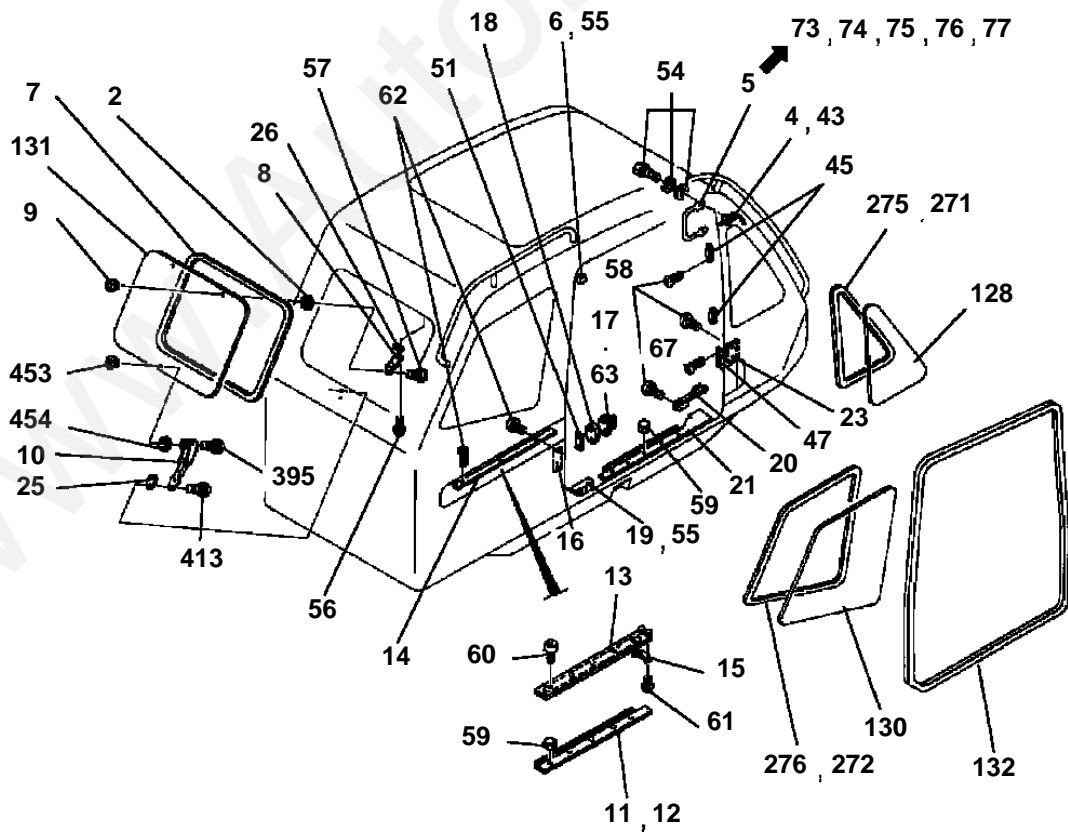
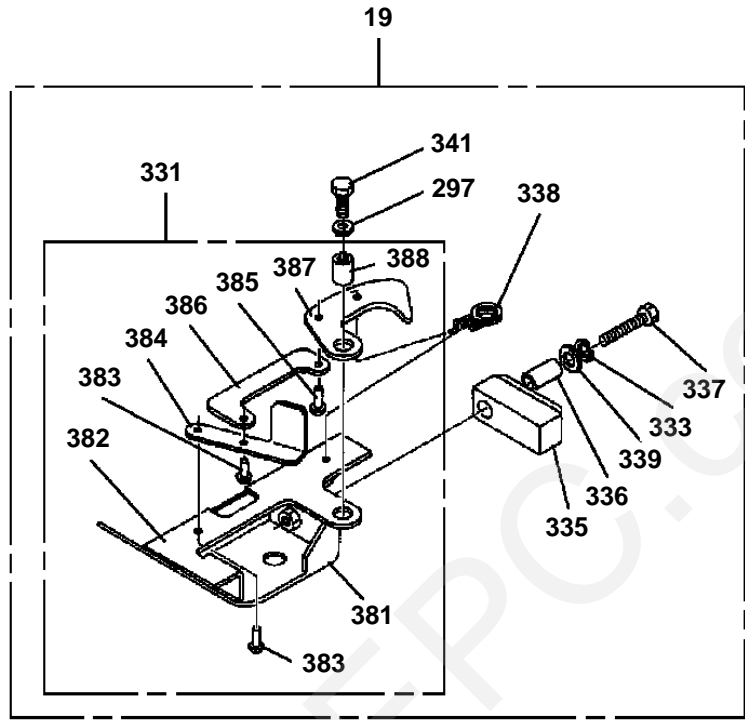
GR-120N-1-00111 12T,X,WINCH(W/O FREE-FALL),JIB(P
PK1140172-05 CAB,OPERATOR



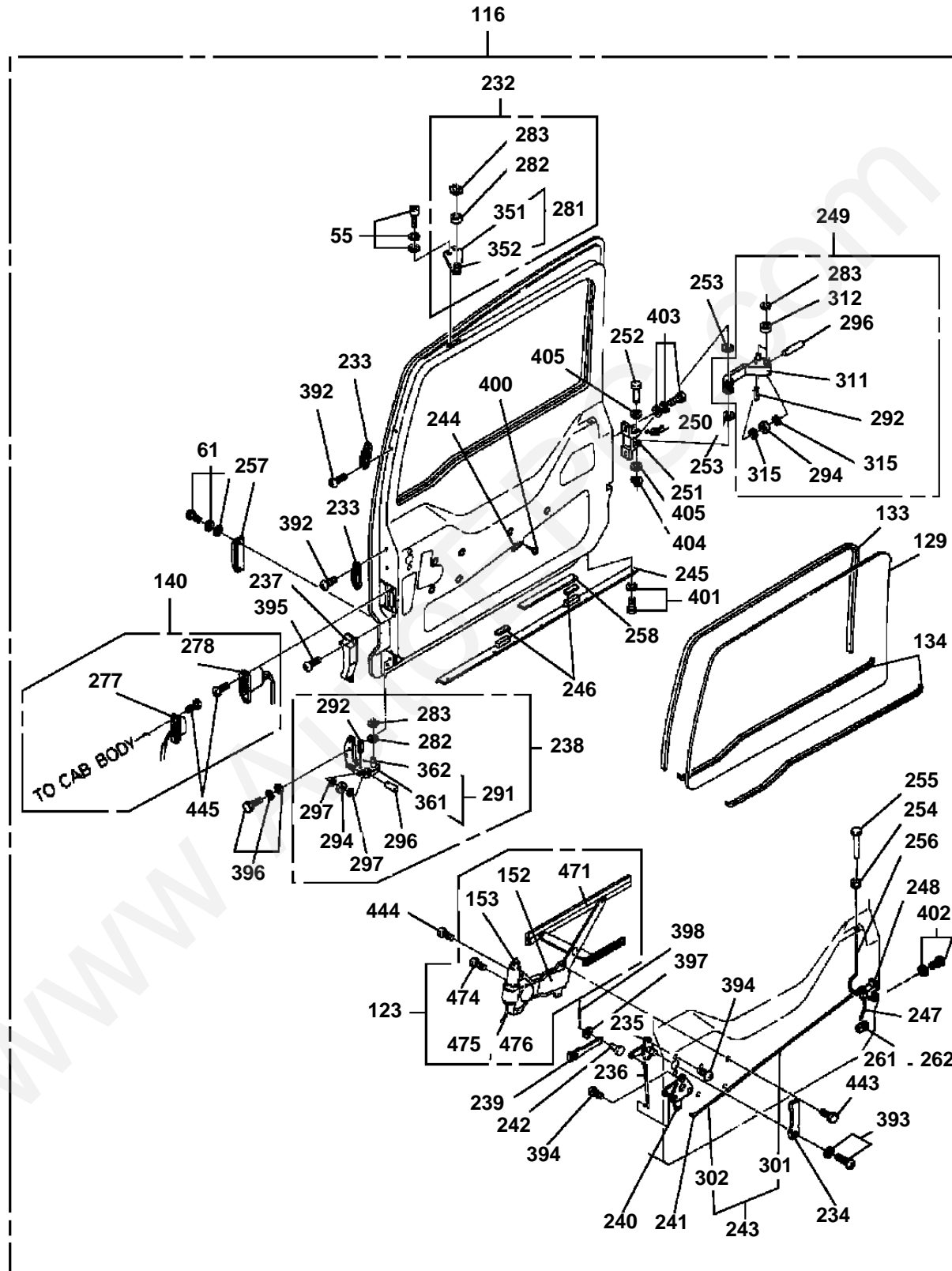
GR-120N-1-00111 12T,X,WINCH(W/O FREE-FALL),JIB(P
PK1140172-05 CAB,OPERATOR



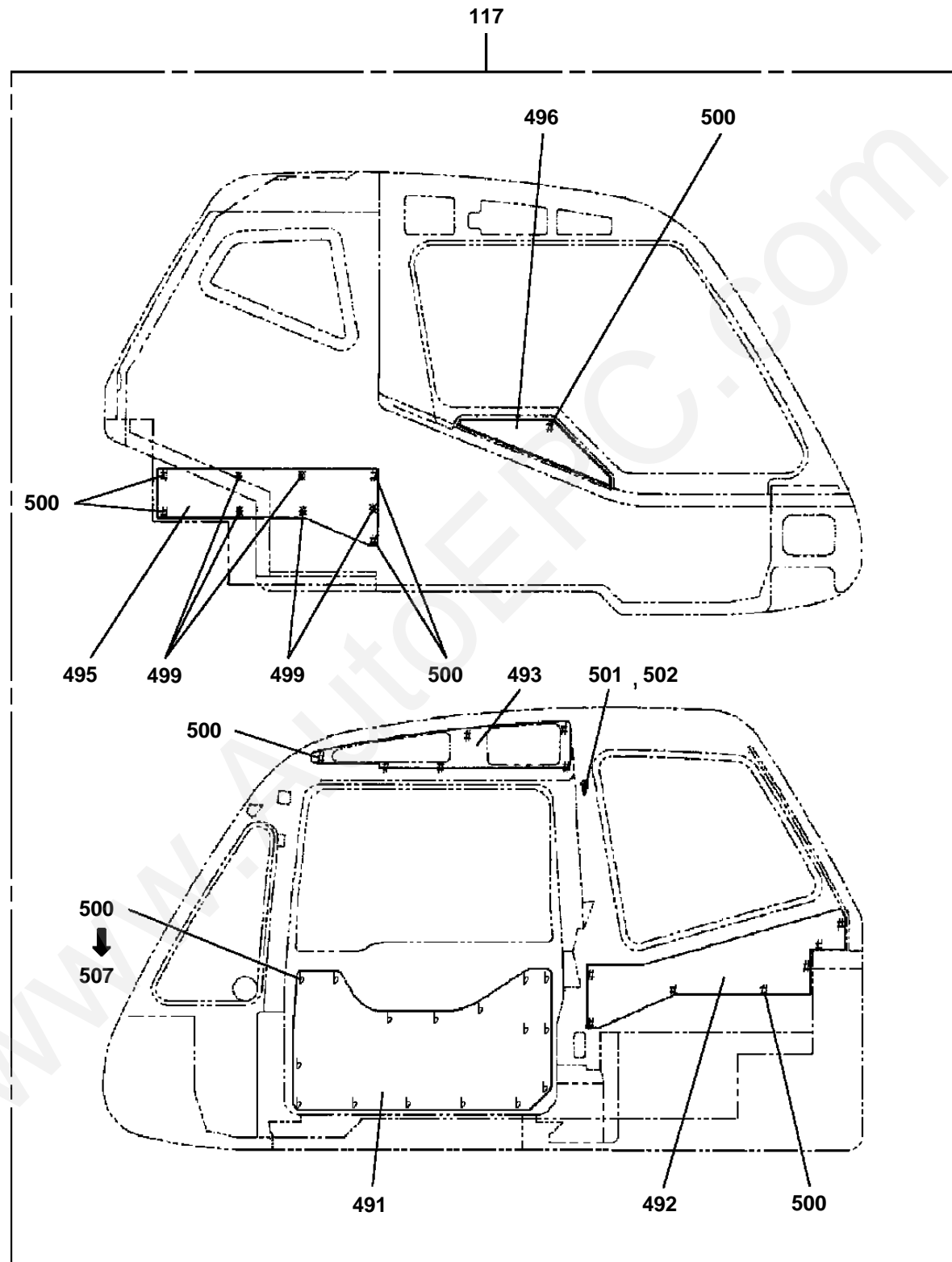
GR-120N-1-00111 12T,X,WINCH(W/O FREE-FALL),JIB(P
PK1140172-05 CAB,OPERATOR



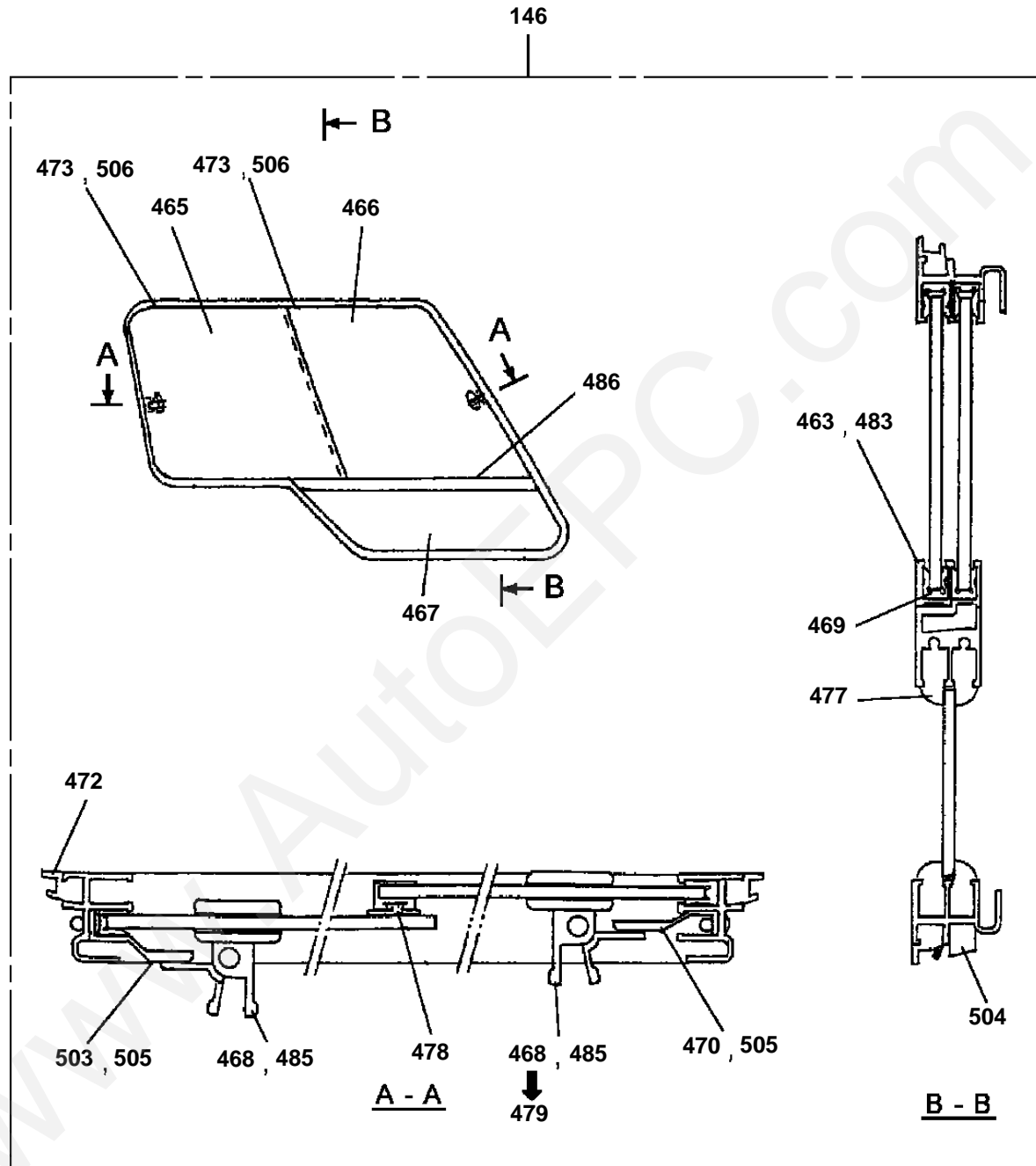
GR-120N-1-00111 12T,X,WINCH(W/O FREE-FALL),JIB(P.T)
PK1140172-05 CAB,OPERATOR



GR-120N-1-00111 12T,X,WINCH(W/O FREE-FALL),JIB(P
PK1140172-05 CAB,OPERATOR



GR-120N-1-00111 12T,X,WINCH(W/O FREE-FALL),JIB(P
PK1140172-05 CAB,OPERATOR



GR-120N-1-00111 12T,X,WINCH(W/O FREE-FALL),JIB(PT)

Pos No.	Parts No	Parts Name	Qty	Unit	Technical Data	Serial No (Start)	Serial No (End)	Remarks	Pages
1	34260637720	LAMP,ROOM	2						
2	33260495130	PACKING	3						
3	82400000201	GROMMET	1		KG-016				
4	82100000951	GROMMET	1						
6	34260637740	STOPPER	1				FD0943		
7	34260639170	WEATHER STRIP (REAR)	1						
8	34260637750	HOLDER (GLASS)	2						
9	33260015170	NUT (WITH RUBBER)	3		M6				
10	34260237810	HANDLE ASSY (GLASS)	1						
11	34260637760	LINER (SWING ARM)	1						
13	34260637770	RAIL ASSY (REAR)	1						
14	34260637780	COVER	1						
15	34260637790	GUIDE (FRONT)	1						
16	34260637800	COVER	1						
17	34260637810	STRIKER	1						
18	34260637700	LINER (STRAIKER)	1						
19	34260637830	HOOK ASSY	1						
20	34260637840	COVER (UNDER)	1						
21	34260637850	LINER (LOWER ARM)	1						
22	34260657540	RUBBER (U)	1						
23	34260637860	COVER	1						
24	34351500600	GROMMET	1						
25	33260495150	PACKING	1						
26	33260495160	PACKING	2						
27	34260637870	SUPPORT	1						
28	34260637880	SUPPORT	1						
29	34260637890	SUPPORT	1						
30	34260637900	SUPPORT	1						
31	34260637910	SUPPORT	1						
32	34260637920	SUPPORT	1						
33	34260637930	SUPPORT	1						
34	34260637940	COVER	1						
35	19218101010	VALVE,CHECK	1						
36	91810130240	FASTENER	2						
37	34260637950	TUBE	1		6X4,L=3000				
38	34260657750	TUBE	1		6X4,L=900				
39	34260637970	RUBBER (U)	1						
40	34260637980	RAIL	1						
41	34260637990	RAIL	1						
42	34260639110	SUPPORT	1						
43	82100000537	SWITCH (DOOR)	1						
44	34260657550	RUBBER (U)	1						
45	34260035230	SUSPENDER,SLIDE	2						
47	34260639120	SEAT (JUNCTION)	1						
48	34260639130	SCREW	4						
49	34260639140	SUPPORT (MOTOR)	1						
50	34260639150	RUBBER (U)	1						
51	34260639160	SUPPORT	1						
52	82100001697	PLUG	1		OBS-13				
53	34260657660	SCREW,MACHINE (WITH PW)	4		M5X25				
55	34260657580	BOLT,HEXAGON SOCKET(WITH WASHER)	3		M8X16				
56	80192484016	SCREW,MACHINE	11		M4X16				
57	80192486010	SCREW,MACHINE	2		M6X10				
58	80192486012	SCREW,MACHINE	11		M6X12				
59	90240200600	NUT,CAP	11		M6				
60	34260657680	BOLT,HEXAGON SOCKET(WITH WASHER)	5		M8X16				

GR-120N-1-00111 12T,X,WINCH(W/O FREE-FALL),JIB(PT)

Pos No.	Parts No	Parts Name	Qty	Unit	Technical Data	Serial No (Start)	Serial No (End)	Remarks	Pages
61	34260657640	SCREW,MACHINE (WITH SW,PW)	19		M6X16				
62	80192485016	SCREW,MACHINE	7		M5X16				
63	34260657690	SCREW,MACHINE	2		M8X35				
64	80192486016	SCREW,MACHINE	4		M6X16				
65	34260657700	SCREW,MACHINE (WITH PW)	10		M4X14				
66	34260657710	SCREW,MACHINE (WITH PW)	10		M5X12				
67	34260657720	SCREW,MACHINE	2		M5X16				
68	99172106016	BOLT,TAPPING	2		M6X16				
69	99172106012	BOLT,TAPPING	7		M6X12				
73	34260637731	GRIP	1						
74	99183808025	BOLT,HEXAGON SOCKET(WITH W,SW)	2						
75	80183806014	SCREW,MACHINE	3		M6X14				
76	90370611516	WASHER,PLAIN	3		6				
77	90240600600	NUT,CAP	3						
81	16612232000	SCREW	1		M6				
110	34260882100	COVER (FRONT)	1						
115	34260692150	COVER (SWITCH PANEL)	1						
116	34260657560	DOOR ASSY	1				FD0539		
	34261057510	DOOR ASSY	1			FD0540			
117	34260887520	TRIM ASSY	1						
118	34260313220	CAB,OPERATOR (ARM ASS,WIPER)	1						000149
119	34260361200	MOTOR,WIPER	1						
120	34260233200	MOTOR,WIPER (WITH/LINK)	1						
121	34260313210	ARM ASSY (WIPER)	1						
122	34260233220	BLADE,WIPER	2						
123	34260581200	REGULATOR,WINDOW	1						
124	34260581210	NOZZLE	1						
126	34260581231	GLASS (FRONT)	1		T=6.8			FD0539	
	34261052110	GLASS (FRONT)	1		T=6.8	FD0540			
127	34260581241	GLASS (ROOF T=6)	1					FD0539	
	34261052120	GLASS (ROOF T=6)	1			FD0540			
128	34260581251	GLASS (RIGHT-FRONT)	1		T=4			FD0539	
	34261052130	GLASS (RIGHT-FRONT)	1		T=4	FD0540			
129	34260581261	GLASS (DOOR)	1		T=4			FD0539	
	34261052140	GLASS (DOOR)	1		T=4	FD0540			
130	34260581271	GLASS (RIGHT-REAR)	1		T=4			FD0539	
	34261052150	GLASS (RIGHT-REAR)	1		T=4	FD0540			
131	34260581281	GLASS (REAR)	1		T=4			FD0539	
	34261052160	GLASS (REAR)	1		T=4	FD0540			
132	34260233260	WEATHER STRIP (L=3900,DOOR)	1						
133	34261052300	WEATHER STRIP (DOOR GLASS LAN L=2670)	1						
134	34260632210	WEATHER STRIP (DOOR WATER CUT L=850)	2						
135	34260581420	WEDGE (FRONT T=6.8)	1						
136	34260632220	WEDGE (ROOF T=6)	1						
140	34260581500	JUNCTION	1						
146	34260762250	SASH (BUHIN KOGYO)	1					FD0539	
	34260762251	SASH (BUHIN KOGYO)	1			FD0540			
152	34260581320	REGULATOR,WINDOW	1						
153	34260581330	MOTOR ASSY (REGULATOR)	1						
232	34260637520	ARM ASSY (UPPER)	1						
233	34260035220	STRIKER,SLIDE	2						
234	34260239810	HANDLE (INNER)	1						
235	34260239760	REMOTE ASSY (RH)	1						
236	34260637530	ROD	1						
237	34260637540	COVER (OUTER HANDLE)	1						
238	34260637550	ARM ASSY (LOWER)	1						

GR-120N-1-00111 12T,X,WINCH(W/O FREE-FALL),JIB(PT)

Pos No.	Parts No	Parts Name	Qty	Unit	Technical Data	Serial No (Start)	Serial No (End)	Remarks	Pages
239	34260637560	LINK (OUTER HANDLE)	1						
240	34260637570	REMOTE ASSY	1						
241	34260239830	CLIP	4						
242	34260637580	PIN	1						
243	34260637590	REMOTE CONTROL ASSY (ROD)	1						
244	82100001140	CLAMP	1		D=6.8				
245	34260637600	COVER (GLASS SUPPORT)	1						
246	34260637610	RUBBER	2						
247	34260637620	ROD (KEY)	1						
248	34260637630	LOCK (RH)	1						
249	34260637640	ARM ASSY (SWING)	1						
250	34260637650	SPRING	1						
251	34260637660	ARM	1						
252	34260239850	PIN	1						
253	80801001210	BEARING,PLAIN	2						
254	34260639450	GROMMET	1						
255	34260005650	KNOB (DOOR LOCK)	1						
256	34260637670	ROD (LOCK)	1						
257	34260239710	HANDLE (DOOR/OUTER)	1						
258	34260632260	CUSHION	1						
261	34260585700	SWITCH,STARTER (WITH CONNECTOR)	1						
262	34260585600	SWITCH ASSY (STARTER & DOOR LOCK SET)	1						
271	34260639380	TRIM (RIGHT-FRONT, L=1650)	1						
272	34260639390	TRIM (RIGHT-REAR,L=2300)	1						
273	34260639400	TRIM (FRONT,L=3600)	1						
274	34260639410	TRIM (ROOF,L=3500)	1						
275	34260639420	WEDGE (RIGHT-FRONT)	1						
276	34260639430	WEDGE (RIGHT-REAR)	1						
277	34260587510	JUNCTION (CAB BODY SIDE)	1						
278	34260587520	JUNCTION (DOOR SIDE)	1						
281	34260639460	ARM	1						
282	80516006900	BEARING,BALL	2						
283	80601110100	RING,RITAINING	4		S10				
291	34260639490	ARM ASSY	1						
292	80720104020	PIN,SPRING	2		4X20				
294	80516006200	BEARING,BALL	2						
296	34260639500	PIN	2						
297	34260639510	WASHER,THRUST	3						
301	34260639540	ROD ASSY (REMOTE)	1						
302	34260639550	ROD	1						
311	34260639560	ARM ASSY	1						
312	80516006000	BEARING,BALL	2						
315	34260639570	WASHER,THRUST	2						
331	34260639600	PLATE	1						
333	90302040601	WASHER,SPRING	1		6				
335	34260639610	STOPPER (RUBBER)	1						
336	34260639620	COLLAR	1						
337	90101206030	BOLT	1		M6X30				
338	34260639630	HOOK (SPRING)	1						
339	90303070801	WASHER,PLAIN	1		8				
341	99172106012	BOLT,TAPPING	1		M6X12				
351	34260639470	PLATE	1						
352	34260639480	PIN	1						
361	34260639520	ARM	1						
362	34260639530	PIN	1						
381	34260639640	PLATE	1						

GR-120N-1-00111 12T,X,WINCH(W/O FREE-FALL),JIB(PT)

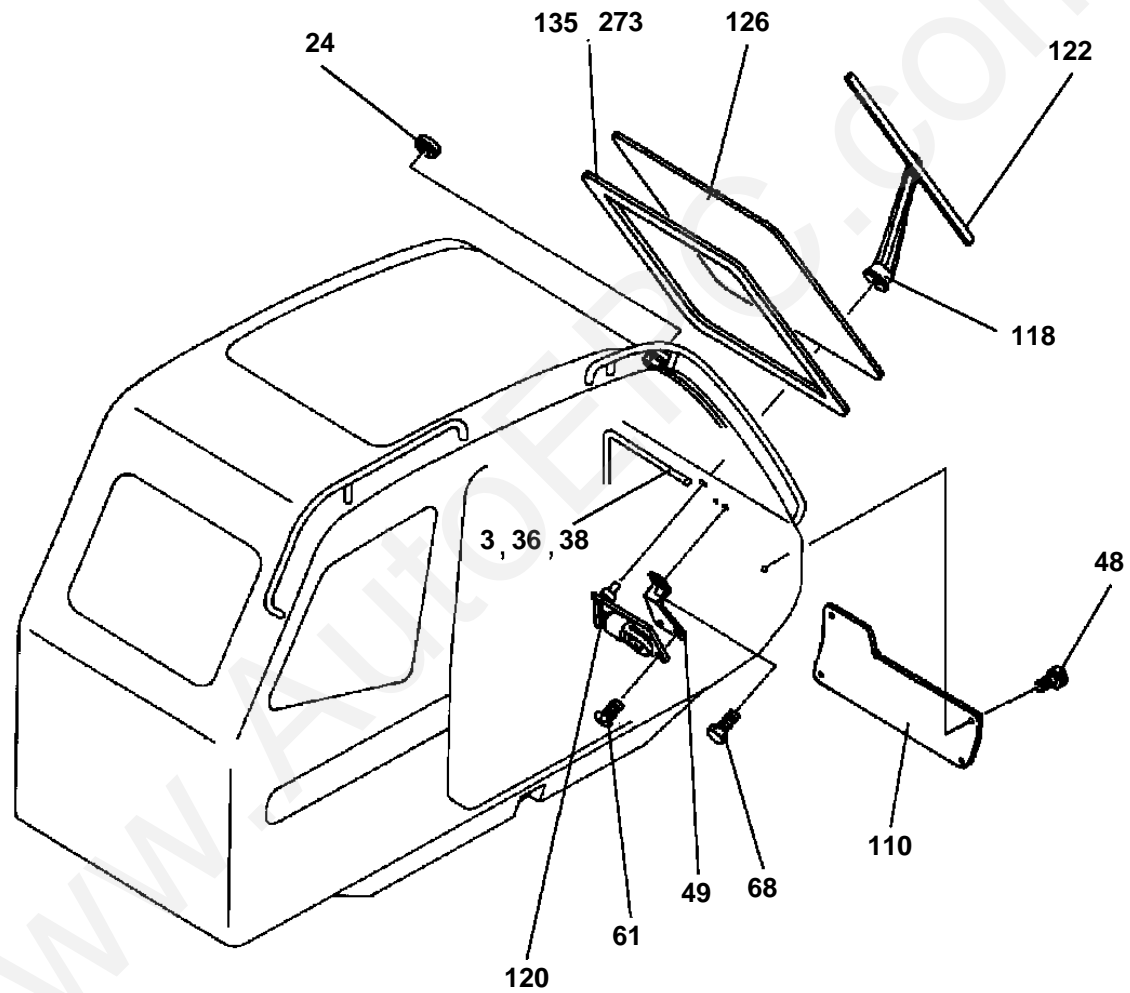
Pos No.	Parts No	Parts Name	Qty	Unit	Technical Data	Serial No (Start)	Serial No (End)	Remarks	Pages
382	34260639650	PLATE	1						
383	34260639680	PIN	2						
384	34260639690	LEVER	1						
385	34260639700	PIN	1						
386	34260639710	LINK	1						
387	34260639660	HOOK	1						
388	34260639670	PIN	1						
392	80192486016	SCREW,MACHINE	4		M6X16				
393	34260657590	SCREW,MACHINE (WITH PW)	1		M5X16				
394	80185306012	SCREW,MACHINE	5						
395	80192486012	SCREW,MACHINE	2		M6X12				
396	34260657600	BOLT (WITH WASHER)	3		M8X25				
397	90303070501	WASHER,PLAIN	1		5				
398	80136015010	PIN,SPLIT	1		1.5X10				
400	90925040121	SCREW,TAPPING	1						
401	34260657610	SCREW,MACHINE (WITH PW)	10		M4X10				
402	34260657620	SCREW,MACHINE (WITH PW)	3		M6X16				
403	34260657630	BOLT (WITH WASHER))	2		M10X30				
404	80601110120	RING,RITAINING	1		S12				
405	90303071201	WASHER,PLAIN	2		12				
407	34260657650	SCREW,MACHINE	17		M6X16				
408	90305000601	WASHER	17		6				
410	80613110050	RING,RETAINING	1						
413	80192484016	SCREW,MACHINE	2		M4X16				
439	80192484012	SCREW,MACHINE (WITH WASHER)	4		M4X12				
443	90180106012	BOLT,BUTTON	6		M6X12				
444	34260657730	SCREW,MACHINE (WITH PW)	2		M6X10				
445	34260657740	SCREW,MACHINE	4		M5X16				
453	33260015170	NUT (WITH RUBBER)	1		M6				
454	33260495130	PACKING	1						
460	34260239910	LINK ASSY (WIPER)	1						
463	34260767560	RAIL	1						
465	34260767570	GLASS (LEFT-REAR)	1				FD0539		
	34260767730	GLASS (LEFT-REAR)	1			FD0540			
466	34260767580	GLASS (LEFT-FRONT)	1				FD0539		
	34260767740	GLASS (LEFT-FRONT)	1			FD0540			
467	34260767590	GLASS (LEFT-LOWER)	1				FD0539		
	34260767750	GLASS (LEFT-LOWER)	1			FD0540			
468	34260767600	LOCK ASSY	2				FD0539		
	34260767600	LOCK ASSY	1			FD0540			
469	34260767610	RUN CHANNEL	2						
470	34260767620	STRIKER (FRONT)	1						
471	34260581310	SUPPORT	1						
472	34260767640	WATER STRIP	1						
473	34260767650	STOPPER	2						
474	34260581340	SCREW,TAPPING	3						
475	82100002261	CONNECTOR (2POLES,MALE)	1						
476	82100002256	TERMINAL	2						
477	34260767670	RUBBER (U,SASH GLASS)	2						
478	34260767680	WATER STRIP	1						
479	34260767760	LOCK ASSY	1			FD0540			
480	34260887531	COVER	1			FD0420			
481	34260887540	COVER (BOX)	1						
482	34260887550	COVER	1						
483	34260767710	SCREW,TAPPING	3		M3X8				
485	80176804008	SCREW,MACHINE	4		M4X8				

GR-120N-1-00111 12T,X,WINCH(W/O FREE-FALL),JIB(PT)

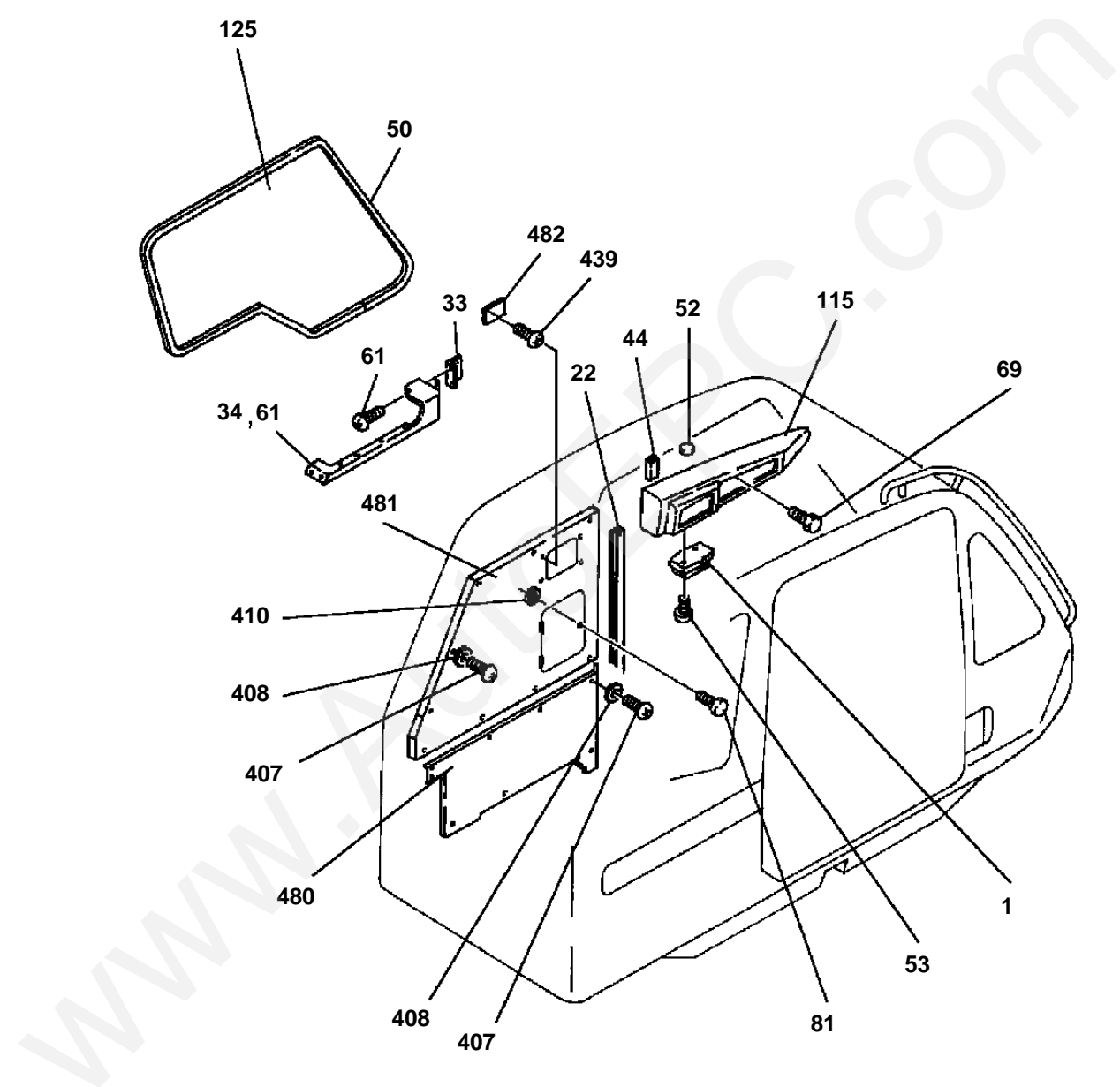
Pos No.	Parts No	Parts Name	Qty	Unit	Technical Data	Serial No (Start)	Serial No (End)	Remarks	Pages
486	34260767720	SCREW,TAPPING	4		M4X4.5				
491	34260634211	TRIM	1						
492	34260882320	TRIM	1						
493	34260634230	TRIM	1						
500	34260634280	CLIP	13			FD0420			
501	34260887560	HANGER	1						
502	80172803010	SCREW,MACHINE	2		M3X10				
503	34260767630	STRIKER (REAR)	1						
504	34260767660	SPACER	1				FD0539		
	34260767660	SPACER	5			FD0540			
505	34260767690	RIVET	4						
506	34260767700	SCREW,TAPPING	2		M4X16		FD0539		
	34260767770	SCREW,TAPPING	2		M4X12	FD0540			
507	34260630500	CLIP	16			FD0260			
509	34260237500	RUBBER (BLADE,WIPER)	2		L=714				

www.AutoEPC.com

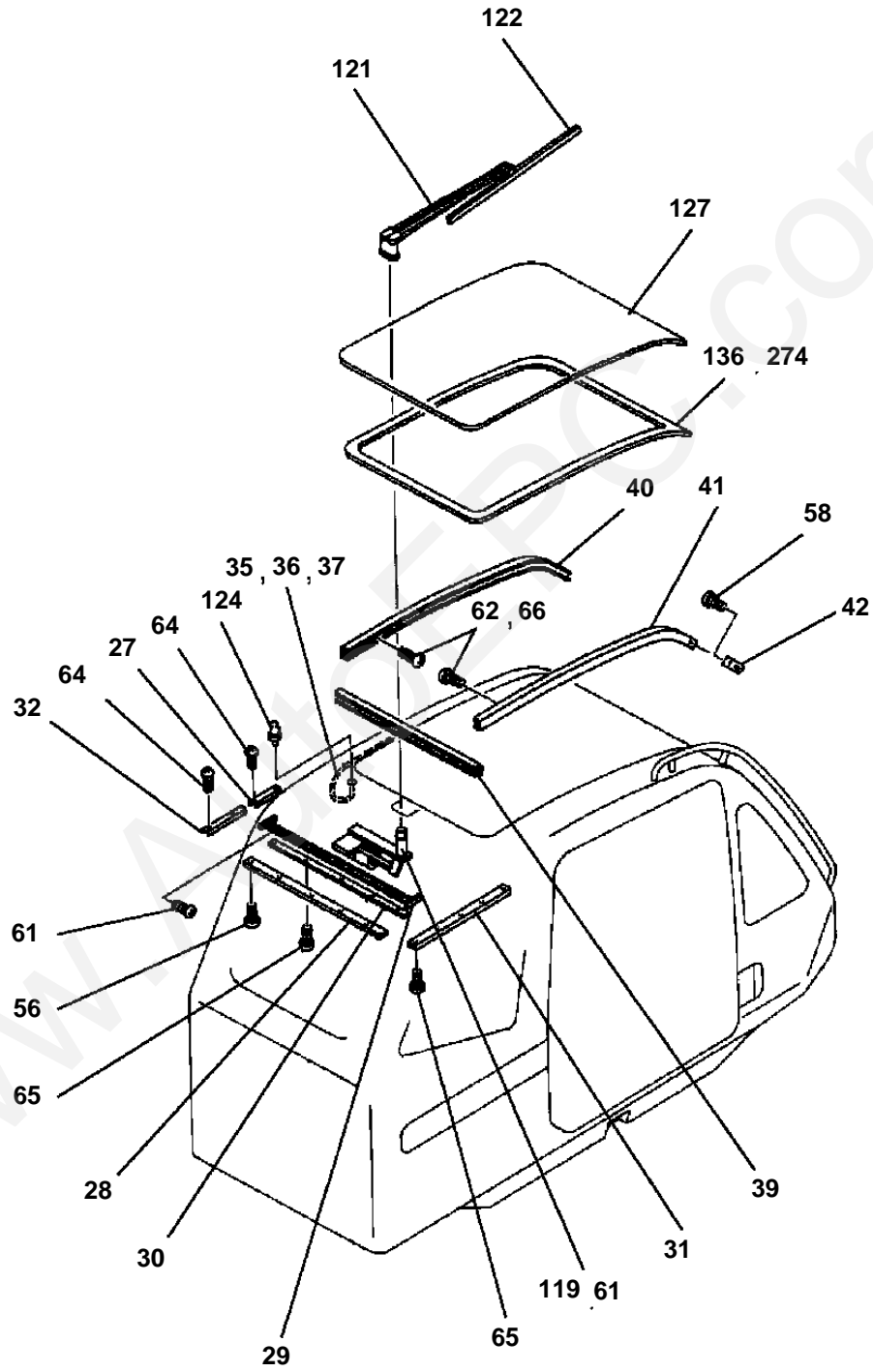
GR-120N-1-00111 12T,X,WINCH(W/O FREE-FALL),JIB(P
PK1140263-00 CAB,OPERATOR



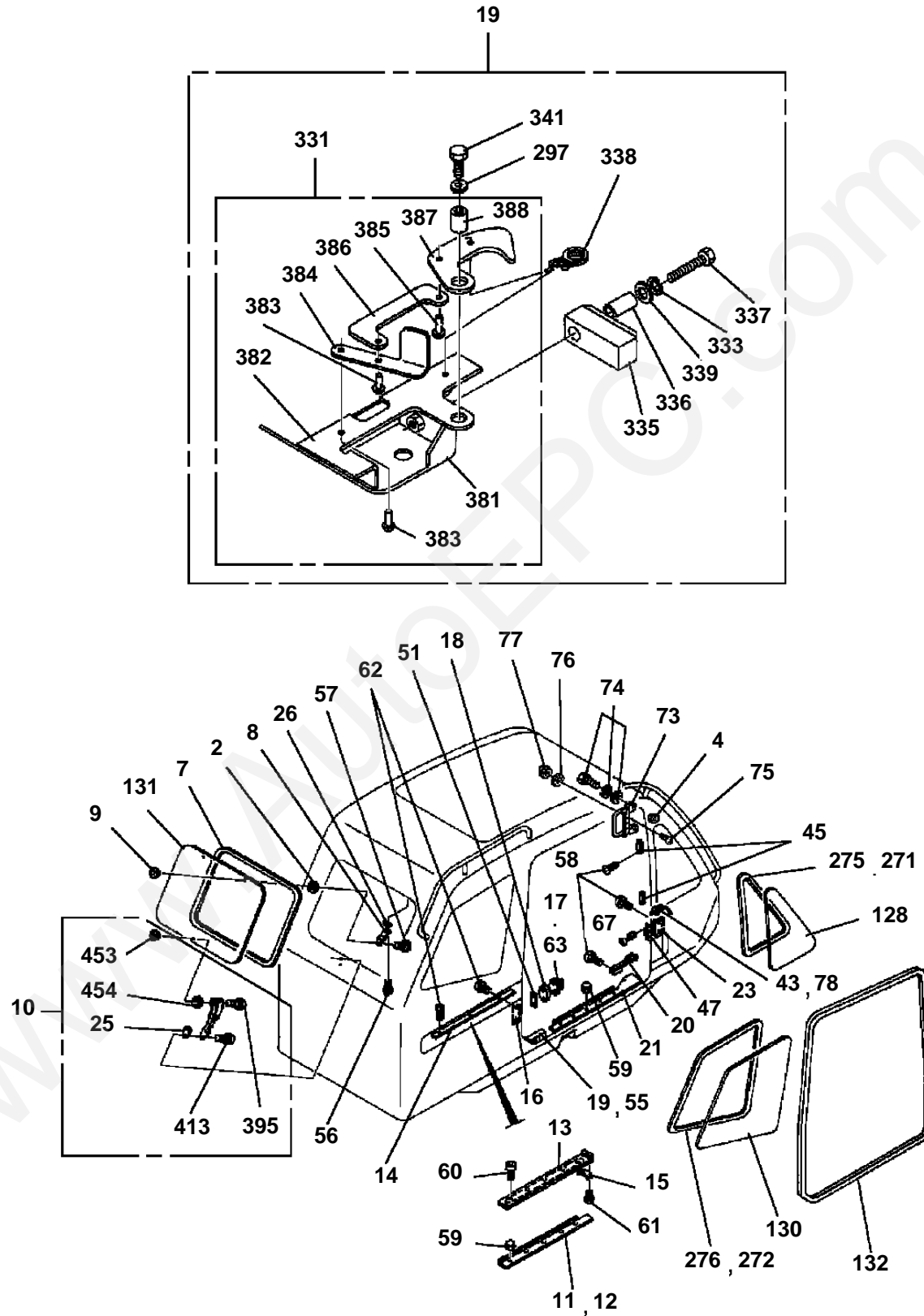
GR-120N-1-00111 12T,X,WINCH(W/O FREE-FALL),JIB(P
PK1140263-00 CAB,OPERATOR



GR-120N-1-00111 12T,X,WINCH(W/O FREE-FALL),JIB(P
PK1140263-00 CAB,OPERATOR

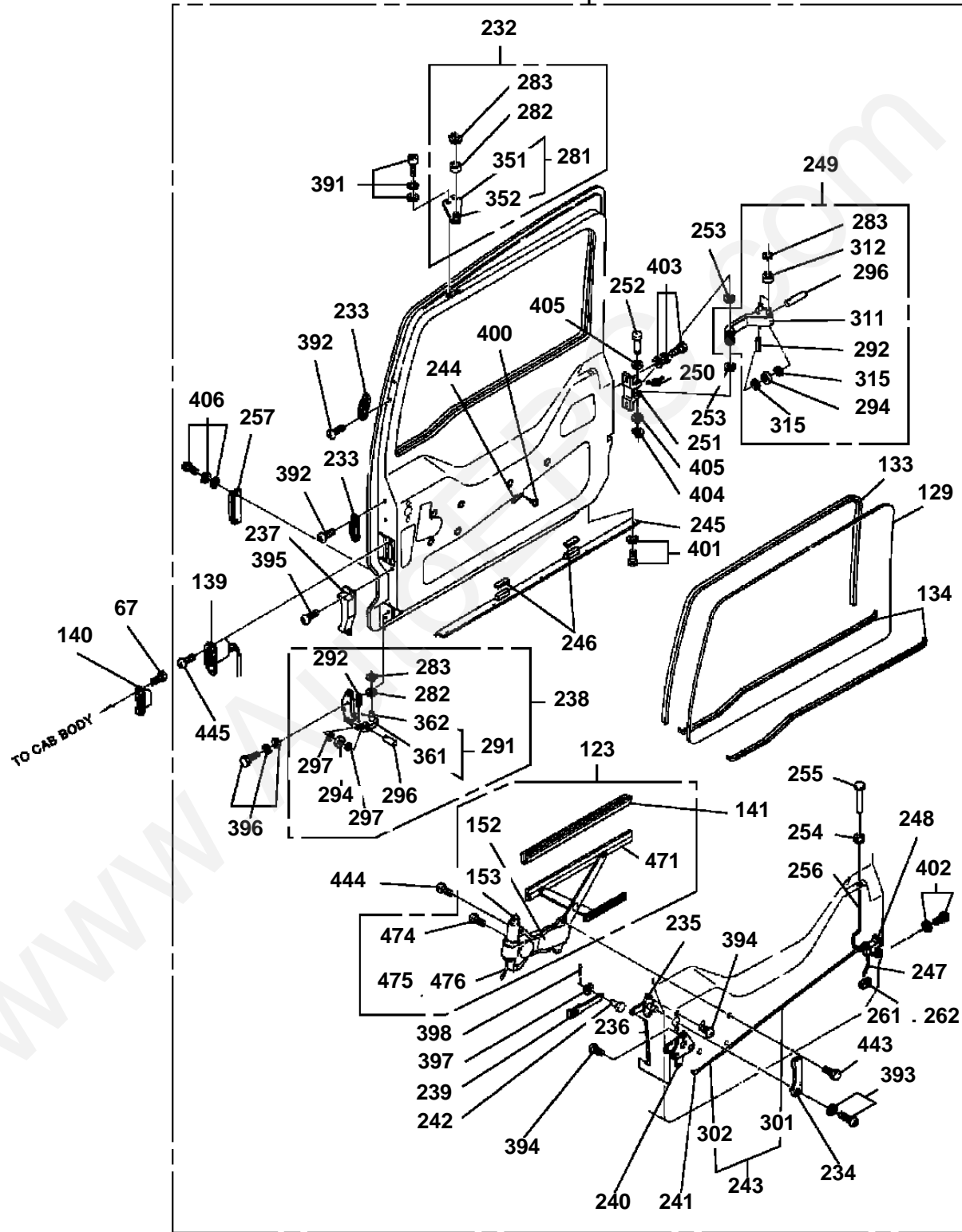


GR-120N-1-00111 12T,X,WINCH(W/O FREE-FALL),JIB(P
PK1140263-00 CAB,OPERATOR

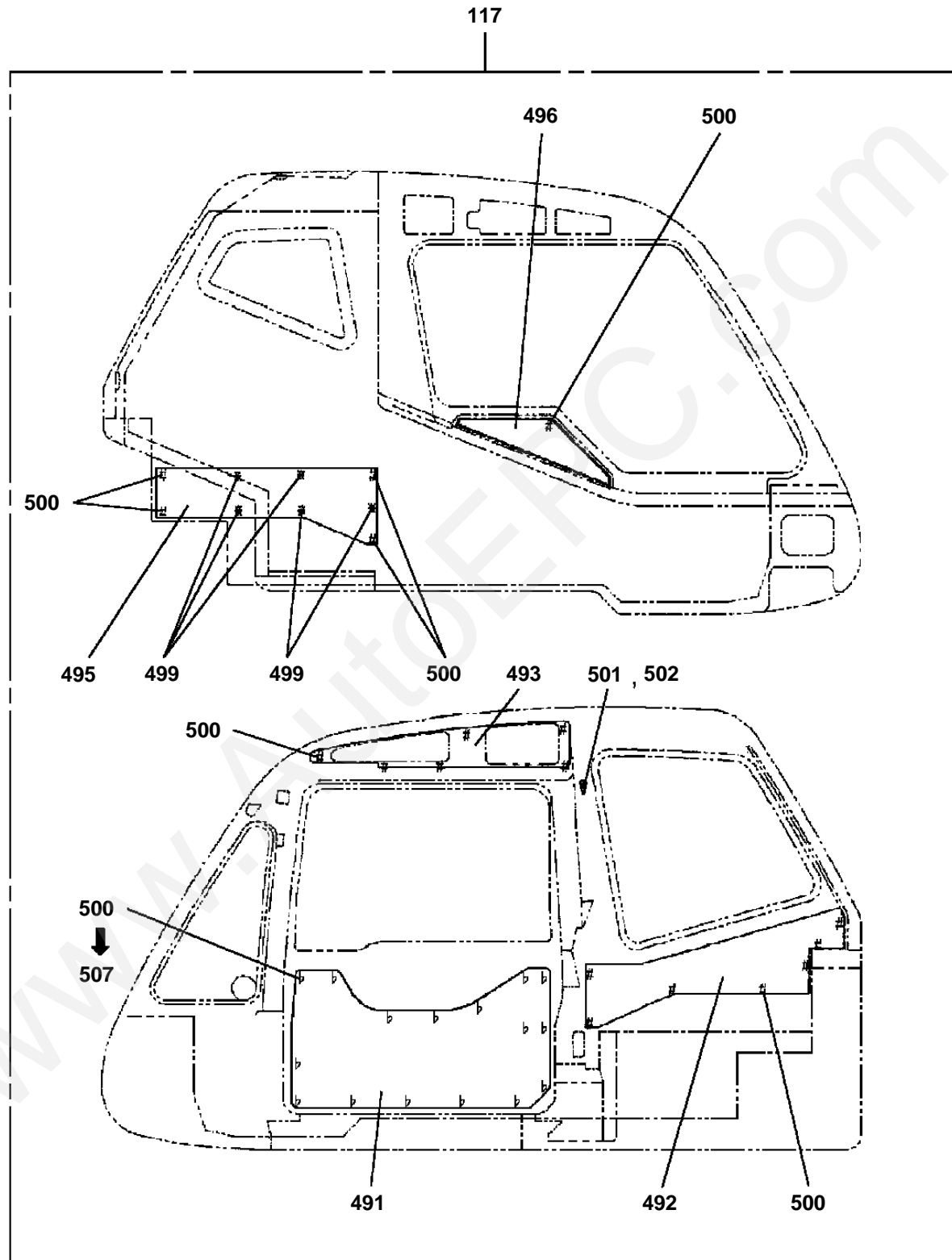


GR-120N-1-00111 12T,X,WINCH(W/O FREE-FALL),JIB(P
PK1140263-00 CAB,OPERATOR

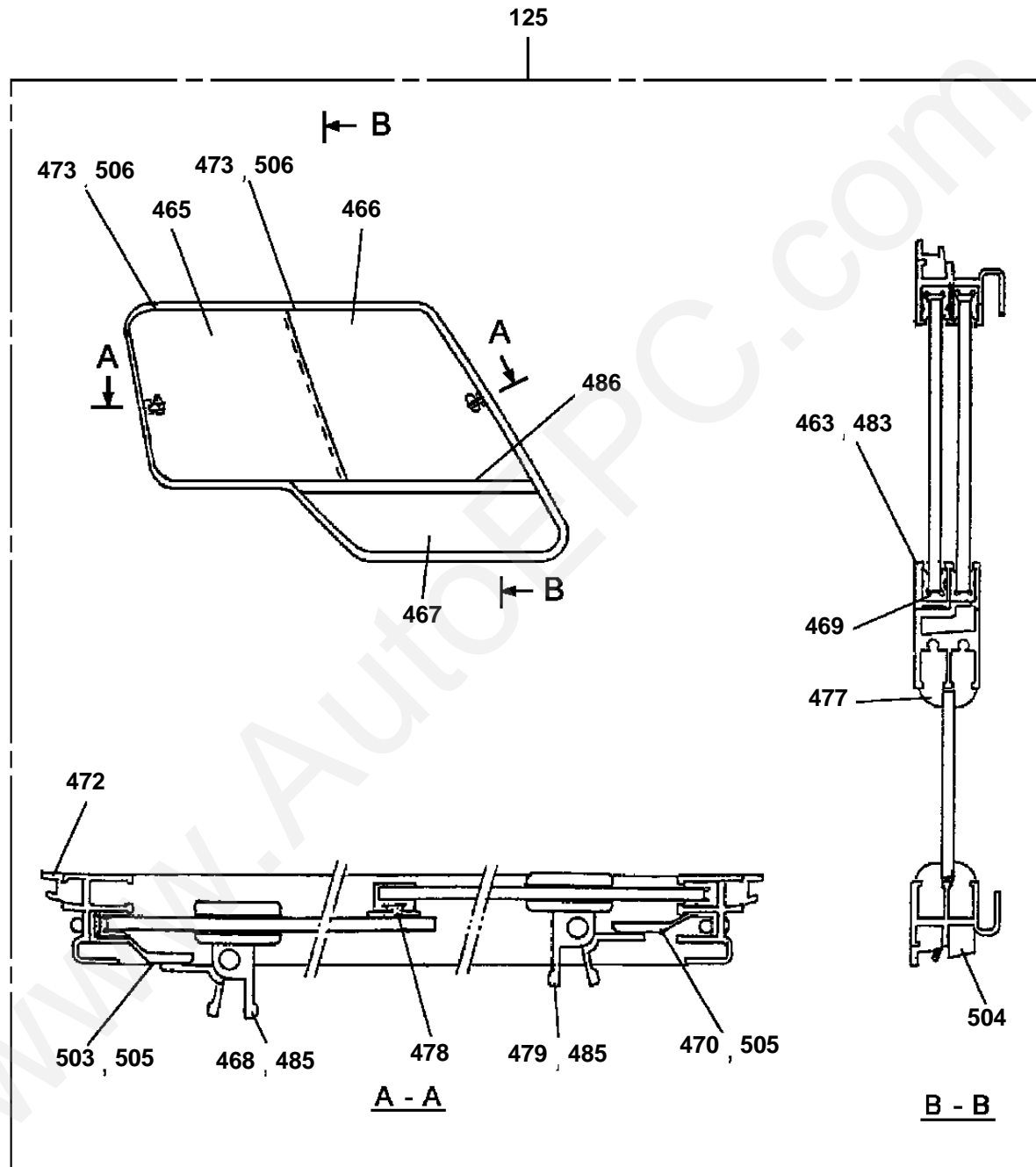
116



GR-120N-1-00111 12T,X,WINCH(W/O FREE-FALL),JIB(P
PK1140263-00 CAB,OPERATOR



GR-120N-1-00111 12T,X,WINCH(W/O FREE-FALL),JIB(P.T)
PK1140263-00 CAB,OPERATOR



GR-120N-1-00111 12T,X,WINCH(W/O FREE-FALL),JIB(PT)

Pos No.	Parts No	Parts Name	Qty	Unit	Technical Data	Serial No (Start)	Serial No (End)	Remarks	Pages
1	34260637720	LAMP,ROOM	2						
2	33260495130	PACKING	3						
3	82400000201	GROMMET	1		KG-016				
4	82100000951	GROMMET	1						
7	34260639170	WEATHER STRIP (REAR)	1						
8	34260637750	HOLDER (GLASS)	2						
9	33260015170	NUT (WITH RUBBER)	3		M6				
10	34260237810	HANDLE ASSY (GLASS)	1						
11	34260637760	LINER (SWING ARM)	1						
12	34260035040	SEAL,FASTENER	5				FD1593		
13	34260637770	RAIL ASSY (REAR)	1						
14	34260637780	COVER	1						
15	34260637790	GUIDE (FRONT)	1						
16	34260637800	COVER	1						
17	34260637810	STRIKER	1						
18	34260637700	LINER (STRAIKER)	1						
19	34260637830	HOOK ASSY	1						
20	34260637840	COVER (UNDER)	1						
21	34260637850	LINER (LOWER ARM)	1						
22	34260657540	RUBBER (U)	1						
23	34260637860	COVER	1						
24	34351500600	GROMMET	1						
25	33260495150	PACKING	1						
26	33260495160	PACKING	2						
27	34260637870	SUPPORT	1						
28	34260637880	SUPPORT	1						
29	34260637890	SUPPORT	1						
30	34260637900	SUPPORT	1						
31	34260637910	SUPPORT	1						
32	34260637920	SUPPORT	1						
33	34260637930	SUPPORT	1						
34	34260637940	COVER	1						
35	19218101010	VALVE,CHECK	1						
36	91810130240	FASTENER	2						
37	34260637950	TUBE	1		6X4,L=3000				
38	34260657750	TUBE	1		6X4,L=900				
39	34260637970	RUBBER (U)	1						
40	34260637980	RAIL	1						
41	34260637990	RAIL	1						
42	34260639110	SUPPORT	1						
43	34261297510	SWITCH (DOOR)	1						
44	34260657550	RUBBER (U)	1						
45	34260035230	SUSPENDER,SLIDE	2						
47	34261297520	SEAT (JUNCTION)	1						
48	34260639130	SCREW	4						
49	34260639140	SUPPORT (MOTOR)	1						
50	34260639150	RUBBER (U)	1						
51	34260639160	SUPPORT	1						
52	82100001697	PLUG	1		OBS-13				
53	34260657660	SCREW,MACHINE (WITH PW)	4		M5X25				
55	34260657580	BOLT,HEXAGON SOCKET(WITH WASHER)	2		M8X16				
56	80192484016	SCREW,MACHINE	11		M4X16				
57	80192486010	SCREW,MACHINE	2		M6X10				
58	80192486012	SCREW,MACHINE	11		M6X12				
59	90240200600	NUT,CAP	11		M6				
60	34260657680	BOLT,HEXAGON SOCKET(WITH WASHER)	5		M8X16				

GR-120N-1-00111 12T,X,WINCH(W/O FREE-FALL),JIB(PT)

Pos No.	Parts No	Parts Name	Qty	Unit	Technical Data	Serial No (Start)	Serial No (End)	Remarks	Pages
61	34260657640	SCREW,MACHINE (WITH SW,PW)	19		M6X16				
62	80192485016	SCREW,MACHINE	7		M5X16				
63	34260657690	SCREW,MACHINE	2		M8X35				
64	80192486016	SCREW,MACHINE	4		M6X16				
65	34260657700	SCREW,MACHINE (WITH PW)	10		M4X14				
66	34260657710	SCREW,MACHINE (WITH PW)	10		M5X12				
67	80192486025	SCREW,MACHINE	2		M6X25				
68	99172106016	BOLT,TAPPING	2		M6X16				
69	99172106012	BOLT,TAPPING	7		M6X12				
73	34260637731	GRIP	1						
74	99183808025	BOLT,HEXAGON SOCKET(WITH W,SW)	2						
75	80183806014	SCREW,MACHINE	3		M6X14				
76	90370611516	WASHER,PLAIN	3		6				
77	90240600600	NUT,CAP	3						
78	90180105012	BOLT,BUTTON	2						
81	16612232000	SCREW	1		M6				
110	34260882100	COVER (FRONT)	1						
115	34260692150	COVER (SWITCH PANEL)	1						
116	34261297530	DOOR ASSY	1						
117	34260887520	TRIM ASSY	1						
118	34260313220	CAB,OPERATOR (ARM ASS,WIPER)	1						000149
119	34260361200	MOTOR,WIPER	1						
120	34260233200	MOTOR,WIPER (WITH/LINK)	1						
121	34260313210	ARM ASSY (WIPER)	1						
122	34260233220	BLADE,WIPER	2			FD1594	FD1593		
	34260233221	BLADE,WIPER	2						
123	34260581200	REGULATOR,WINDOW	1						
124	34260581210	NOZZLE	1						
125	34260762251	SASH (BUHIN KOGYO)	1						
126	34261052110	GLASS (FRONT)	1		T=6.8				
127	34261052120	GLASS (ROOF T=6)	1						
128	34261052130	GLASS (RIGHT-FRONT)	1		T=4				
129	34261052140	GLASS (DOOR)	1		T=4				
130	34261052150	GLASS (RIGHT-REAR)	1		T=4				
131	34261052160	GLASS (REAR)	1		T=4				
132	34260233260	WEATHER STRIP (L=3900,DOOR)	1						
133	34261052300	WEATHER STRIP (DOOR GLASS LAN L=2670)	1			FD1423			
134	34260632210	WEATHER STRIP (DOOR WATER CUT L=850)	2						
135	34260581420	WEDGE (FRONT T=6.8)	1						
136	34260632220	WEDGE (ROOF T=6)	1						
139	34260952301	JUNCTION (DOOR SIDE)	1						
140	34260952310	JUNCTION (BODY SIDE)	1						
141	34260632260	CUSHION	1						
152	34260581320	REGULATOR,WINDOW	1						
153	34260581330	MOTOR ASSY (REGULATOR)	1						
232	34260637520	ARM ASSY (UPPER)	1						
233	34260035220	STRIKER,SLIDE	2						
234	34260239810	HANDLE (INNER)	1						
235	34260239760	REMOTE ASSY (RH)	1						
236	34260637530	ROD	1						
237	34260637540	COVER (OUTER HANDLE)	1						
238	34260637550	ARM ASSY (LOWER)	1						
239	34260637560	LINK (OUTER HANDLE)	1						
240	34260637570	REMOTE ASSY	1						
241	34260239830	CLIP	4						
242	34260637580	PIN	1						

GR-120N-1-00111 12T,X,WINCH(W/O FREE-FALL),JIB(PT)

Pos No.	Parts No	Parts Name	Qty	Unit	Technical Data	Serial No (Start)	Serial No (End)	Remarks	Pages
243	34260637590	REMOTE CONTROL ASSY (ROD)	1						
244	82100001140	CLAMP	1		D=6.8				
245	34260637600	COVER (GLASS SUPPORT)	1						
246	34260637610	RUBBER	2						
247	34260637620	ROD (KEY)	1						
248	34260637630	LOCK (RH)	1						
249	34260637640	ARM ASSY (SWING)	1						
250	34260637650	SPRING	1						
251	34260637660	ARM	1						
252	34260239850	PIN	1						
253	80801001210	BEARING,PLAIN	2						
254	34260639450	GROMMET	1						
255	34260005650	KNOB (DOOR LOCK)	1						
256	34260637670	ROD (LOCK)	1						
257	34260239710	HANDLE (DOOR/OUTER)	1						
261	34260585700	SWITCH,STARTER (WITH CONNECTOR)	1						
262	34260585600	SWITCH ASSY (STARTER & DOOR LOCK SET)	1						
271	34260639380	TRIM (RIGHT-FRONT, L=1650)	1						
272	34260639390	TRIM (RIGHT-REAR,L=2300)	1						
273	34260639400	TRIM (FRONT,L=3600)	1						
274	34260639410	TRIM (ROOF,L=3500)	1						
275	34260639420	WEDGE (RIGHT-FRONT)	1						
276	34260639430	WEDGE (RIGHT-REAR)	1						
281	34260639460	ARM	1						
282	80516006900	BEARING,BALL	2						
283	80601110100	RING,RITAINING	4		S10				
291	34260639490	ARM ASSY	1						
292	80720104020	PIN,SPRING	2		4X20				
294	80516006200	BEARING,BALL	2						
296	34260639500	PIN	2						
297	34260639510	WASHER,THRUST	3						
301	34260639540	ROD ASSY (REMOTE)	1						
302	34260639550	ROD	1						
311	34260639560	ARM ASSY	1						
312	80516006000	BEARING,BALL	2						
315	34260639570	WASHER,THRUST	2						
331	34260639600	PLATE	1						
333	90302040601	WASHER,SPRING	1		6				
335	34260639610	STOPPER (RUBBER)	1						
336	34260639620	COLLAR	1						
337	90101206030	BOLT	1		M6X30				
338	34260639630	HOOK (SPRING)	1						
339	90303070801	WASHER,PLAIN	1		8				
341	99172106012	BOLT,TAPPING	1		M6X12				
351	34260639470	PLATE	1						
352	34260639480	PIN	1						
361	34260639520	ARM	1						
362	34260639530	PIN	1						
381	34260639640	PLATE	1						
382	34260639650	PLATE	1						
383	34260639680	PIN	2						
384	34260639690	LEVER	1						
385	34260639700	PIN	1						
386	34260639710	LINK	1						
387	34260639660	HOOK	1						
388	34260639670	PIN	1						

GR-120N-1-00111 12T,X,WINCH(W/O FREE-FALL),JIB(PT)

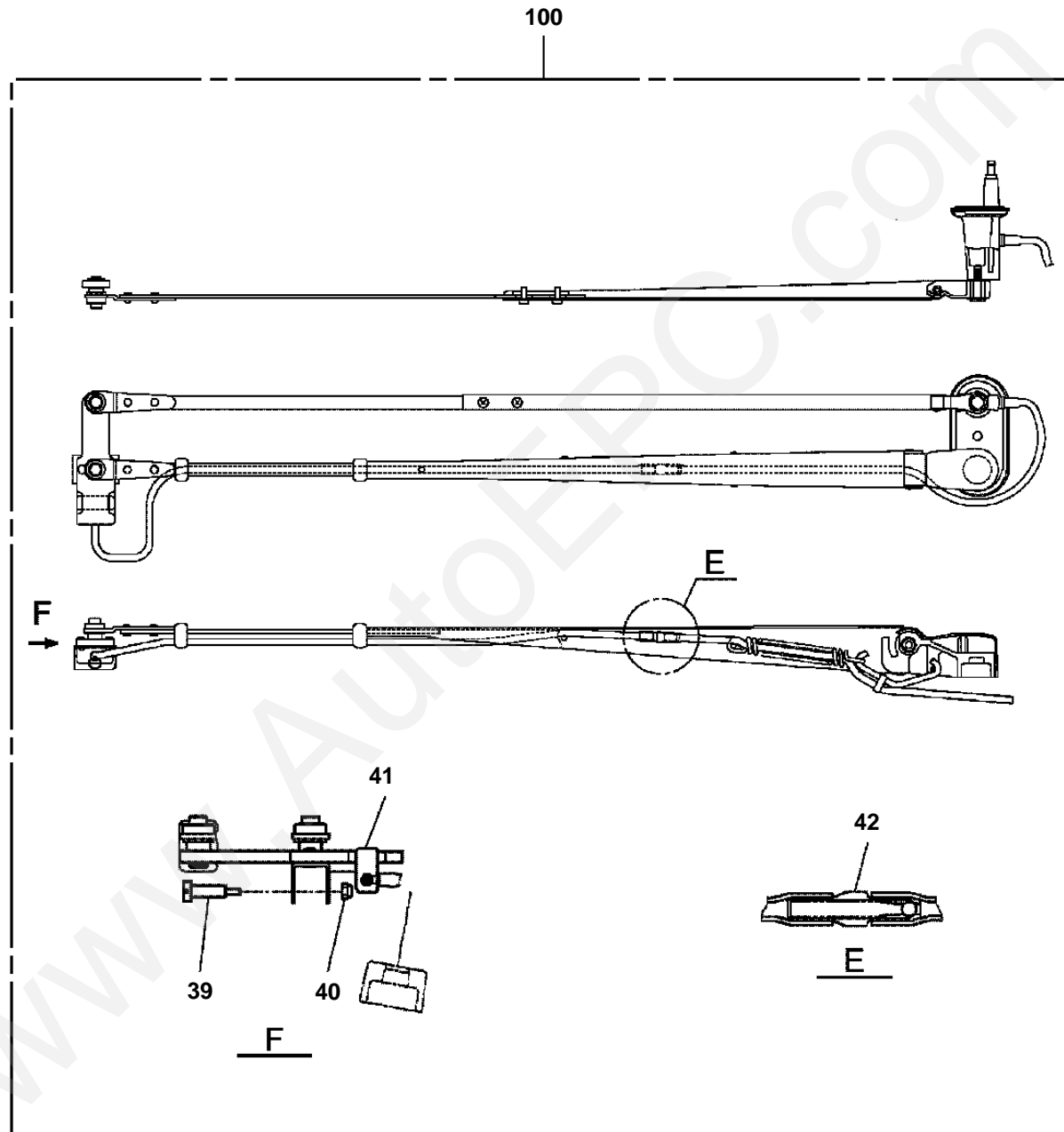
Pos No.	Parts No	Parts Name	Qty	Unit	Technical Data	Serial No (Start)	Serial No (End)	Remarks	Pages
391	34260657580	BOLT,HEXAGON SOCKET(WITH WASHER)	2		M8X16				
392	80192486016	SCREW,MACHINE	4		M6X16				
393	34260657590	SCREW,MACHINE (WITH PW)	1		M5X16				
394	80185306012	SCREW,MACHINE	5						
395	80192486012	SCREW,MACHINE	2		M6X12				
396	34260657600	BOLT (WITH WASHER)	3		M8X25				
397	90303070501	WASHER,PLAIN	1		5				
398	80136015010	PIN,SPLIT	1		1.5X10				
400	90925040121	SCREW,TAPPING	1						
401	80175304008	SCREW,MACHINE	10		M4X8				
402	34260657620	SCREW,MACHINE (WITH PW)	3		M6X16				
403	34260657630	BOLT (WITH WASHER))	2		M10X30				
404	80601110120	RING,RITAINING	1		S12				
405	90303071201	WASHER,PLAIN	2		12				
406	34260657640	SCREW,MACHINE (WITH SW,PW)	2		M6X16				
407	34260657650	SCREW,MACHINE	17		M6X16				
408	90305000601	WASHER	17		6				
410	80613110050	RING,RETAINING	1						
413	80192484016	SCREW,MACHINE	2		M4X16				
439	80192484012	SCREW,MACHINE (WITH WASHER)	4		M4X12				
443	90180106012	BOLT,BUTTON	6		M6X12				
444	34260657730	SCREW,MACHINE (WITH PW)	2		M6X10				
445	80192488020	SCREW,MACHINE	2		M8X20				
453	33260015170	NUT (WITH RUBBER)	1		M6				
454	33260495130	PACKING	1						
463	34260767560	RAIL	1						
465	34260767730	GLASS (LEFT-REAR)	1						
466	34260767740	GLASS (LEFT-FRONT)	1						
467	34260767750	GLASS (LEFT-LOWER)	1						
468	34260767600	LOCK ASSY	1						
469	34260767610	RUN CHANNEL	2						
470	34260767620	STRIKER (FRONT)	1						
471	34260581310	SUPPORT	1						
472	34260767640	WATER STRIP	1						
473	34260767650	STOPPER	2						
474	34260581340	SCREW,TAPPING	3						
475	82100002261	CONNECTOR (2POLES,MALE)	1						
476	82100002256	TERMINAL	2						
477	34260767670	RUBBER (U,SASH GLASS)	2						
478	34260767680	WATER STRIP	1						
479	34260767760	LOCK ASSY	1						
480	34260887531	COVER	1			FD0420			
481	34260887540	COVER (BOX)	1						
482	34260887550	COVER	1						
483	34260767710	SCREW,TAPPING	3		M3X8				
485	80176804008	SCREW,MACHINE	4		M4X8				
486	34260767720	SCREW,TAPPING	4		M4X4.5				
491	34260634211	TRIM	1						
492	34260882320	TRIM	1						
493	34260634230	TRIM	1						
500	34260634280	CLIP	13			FD0420			
501	34260887560	HANGER	1						
502	80172803010	SCREW,MACHINE	2		M3X10				
503	34260767630	STRIKER (REAR)	1						
504	34260767660	SPACER	5						
505	34260767690	RIVET	4						

GR-120N-1-00111 12T,X,WINCH(W/O FREE-FALL),JIB(PT)

Pos No.	Parts No	Parts Name	Qty	Unit	Technical Data	Serial No (Start)	Serial No (End)	Remarks	Pages
506	34260767770	SCREW,TAPPING	2		M4X12				
507	34260630500	CLIP	16			FD0260			
509	34260237500	RUBBER (BLADE,WIPER)	2		L=714		FD1593		

www.AutoEPC.com

GR-120N-1-00111 12T,X,WINCH(W/O FREE-FALL),JIB(P
PK1140274-00 CAB,OPERATOR (ARM ASS,WIPER)



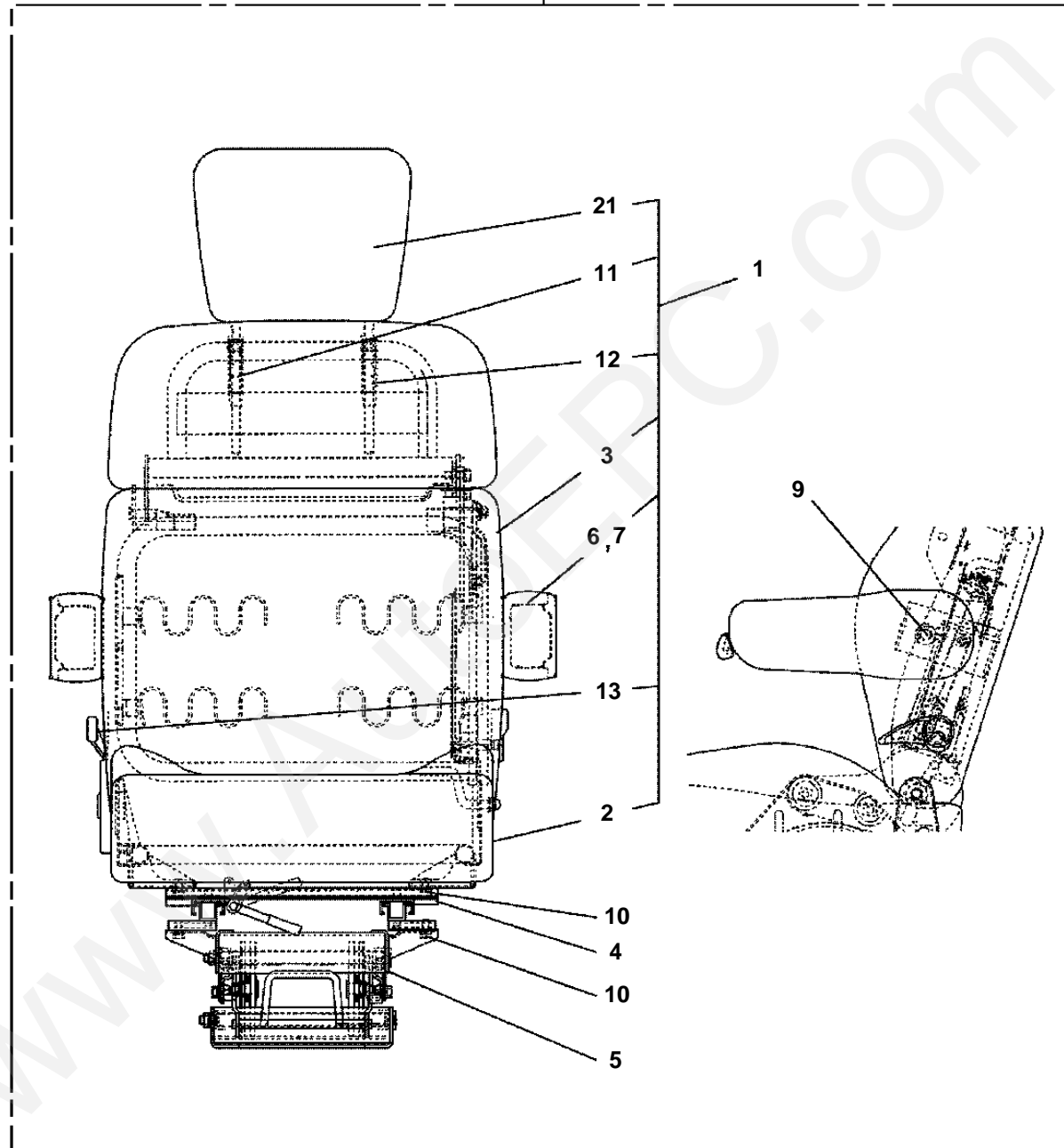
GR-120N-1-00111 12T,X,WINCH(W/O FREE-FALL),JIB(PT)

Pos No.	Parts No	Parts Name	Qty	Unit	Technical Data	Serial No (Start)	Serial No (End)	Remarks	Pages
39	34260317690	BOLT	1						
40	34260317700	NUT	1						
41	34260317680	NOZZLE	1						
42	34260317710	VALVE,CHECK	1						
100	34260313220	CAB,OPERATOR (ARM ASS,WIPER)	1						

www.AutoEPC.com

GR-120N-1-00111 12T,X,WINCH(W/O FREE-FALL),JIB(P
PK1150032-03 SEAT,OPERATOR

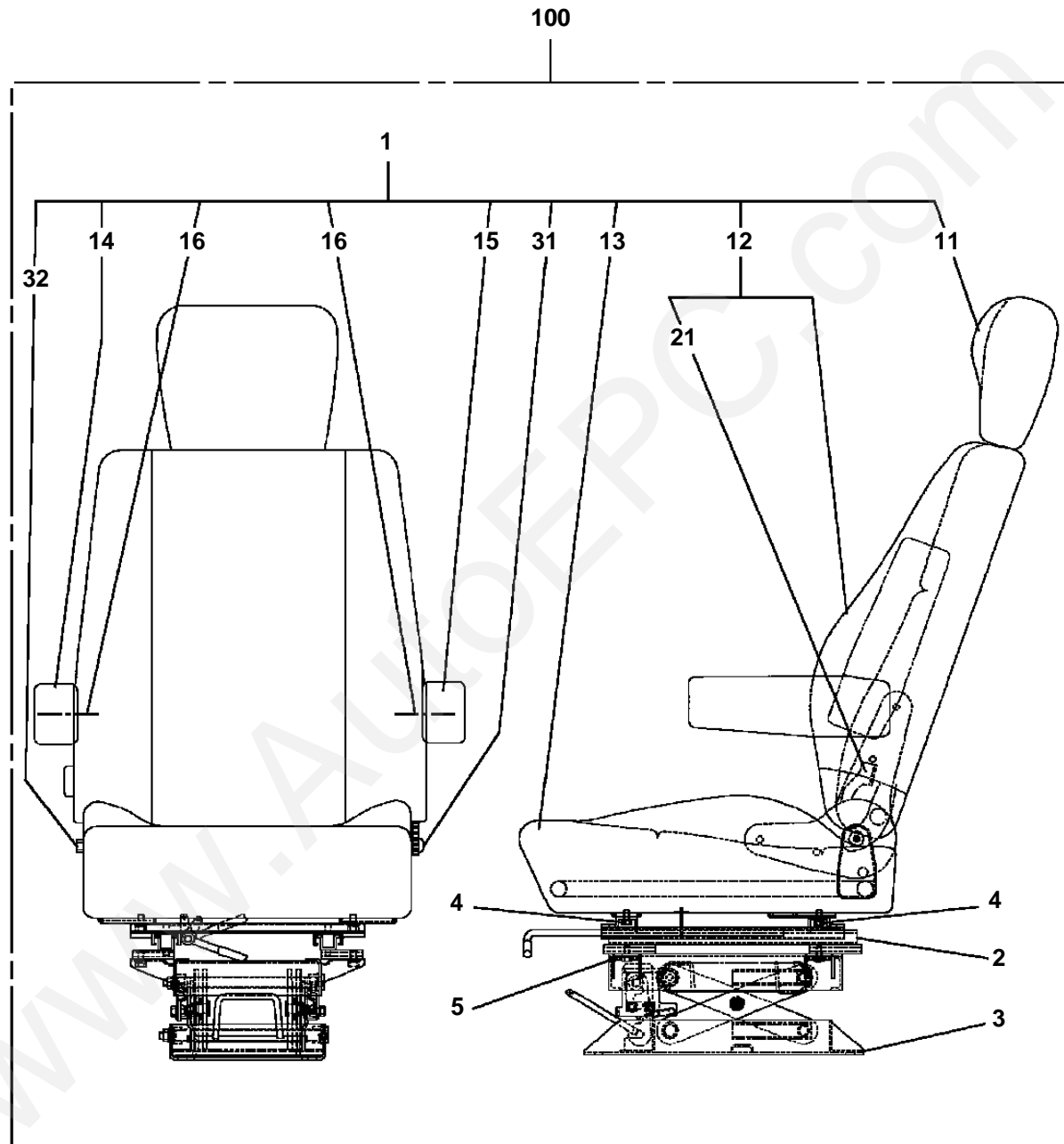
50



GR-120N-1-00111 12T,X,WINCH(W/O FREE-FALL),JIB(PT)

Pos No.	Parts No	Parts Name	Qty	Unit	Technical Data	Serial No (Start)	Serial No (End)	Remarks	Pages
1	34251227510	SEAT ASSY	1				FD0235		
	34251227511	SEAT ASSY	1			FD0236			
2	34251227520	CUSHION ASSY	1				FD0235		
	34251227521	CUSHION ASSY	1			FD0236			
3	34251227530	BACK ASSY	1				FD0235		
	34251227531	BACK ASSY	1			FD0236			
4	34250887590	ADJUSTER	1						
5	34250887600	ADJUSTER ASSY (HIGHT)	1				FD0235		
	34250887601	ADJUSTER ASSY (HIGHT)	1			FD0236			
6	34251227540	ARMREST ASSY (RIGHT)	1				FD0235		
	34251227541	ARMREST ASSY (RIGHT)	1			FD0236			
7	34251227550	ARMREST ASSY (LEFT)	1				FD0235		
	34251227551	ARMREST ASSY (LEFT)	1			FD0236			
9	34430077580	BUSH	2						
10	34250887610	BOLT	8		M8X1.25		FD0235		
	34251227560	BOLT	8			FD0236			
11	34251227570	GUIDE (WITHOUT LOCK)	1						
12	34251227580	HOLDER (WITH LOCK)	1						
13	34251227590	ADJUSTER	1						
21	34251197520	HEADREST ASSY	1						
50	34251220100	SEAT, OPERATOR	1						

GR-120N-1-00111 12T,X,WINCH(W/O FREE-FALL),JIB(P
PK1150036-02 SEAT,OPERATOR

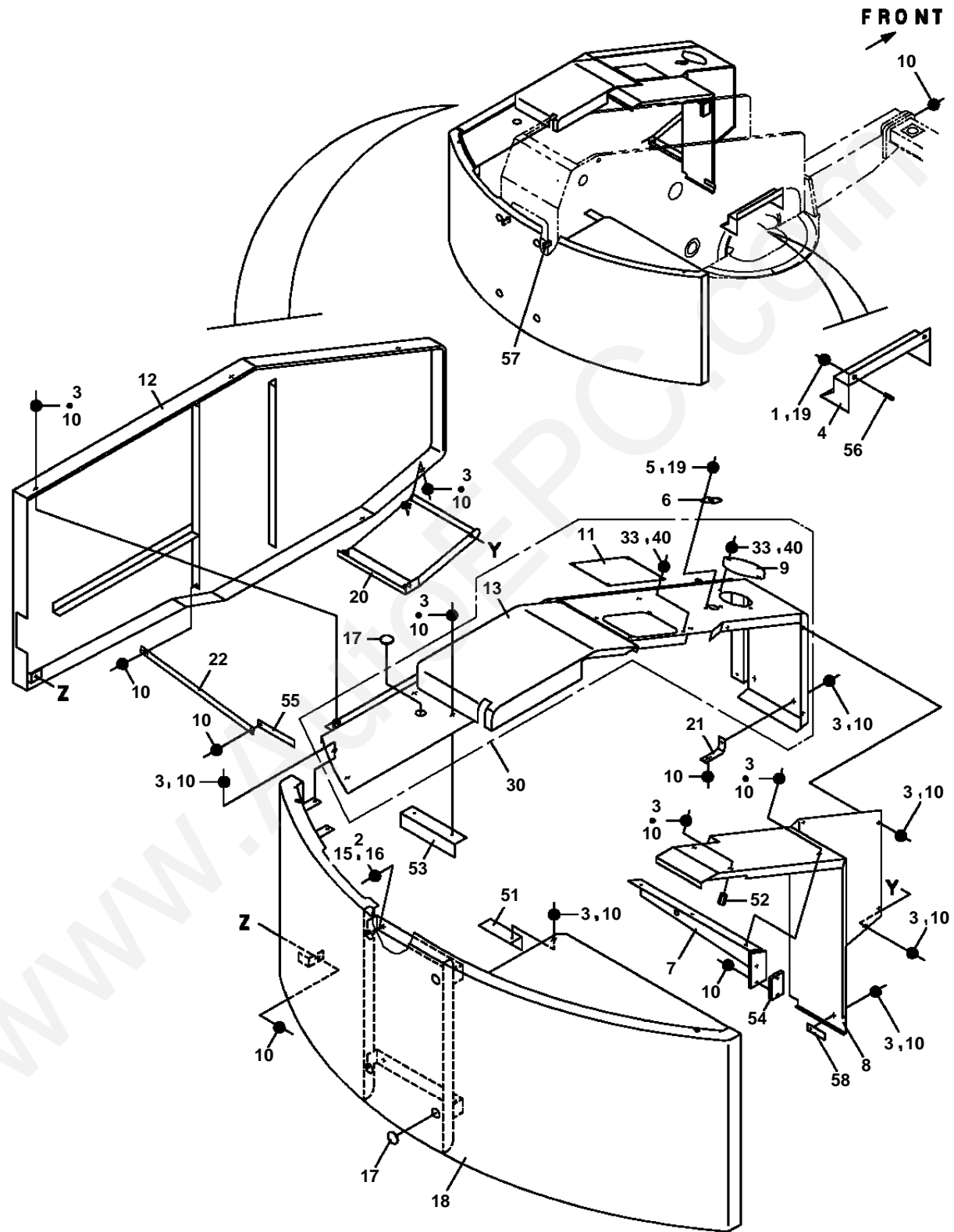


GR-120N-1-00111 12T,X,WINCH(W/O FREE-FALL),JIB(PT)

Pos No.	Parts No	Parts Name	Qty	Unit	Technical Data	Serial No (Start)	Serial No (End)	Remarks	Pages
1	34251197510	SEAT ASSY	1						
2	34250887590	ADJUSTER	1						
3	34251197580	ADJUSTER ASSY (HIGHT)	1						
4	34250887610	BOLT	8		M8X1.25				
5	34251197590	WASHER	4						
11	34251197520	HEADREST ASSY	1						
12	34251197530	SEAT ASSY	1						
13	34251197620	CUSHION ASSY (SEAT)	1						
14	34251197550	ARMREST ASSY (RIGHT)	1						
15	34251197560	ARMREST ASSY (LEFT)	1						
16	34251197700	BOLT (ARMREST)	2						
21	34250687570	ADJUSTER (RECLINING)	1						
31	34251197600	BOLT	1						
32	34251197610	BOLT (SEMS)	1						
100	34251192000	SEAT,OPERATOR	1						

www.AutoEPC.com

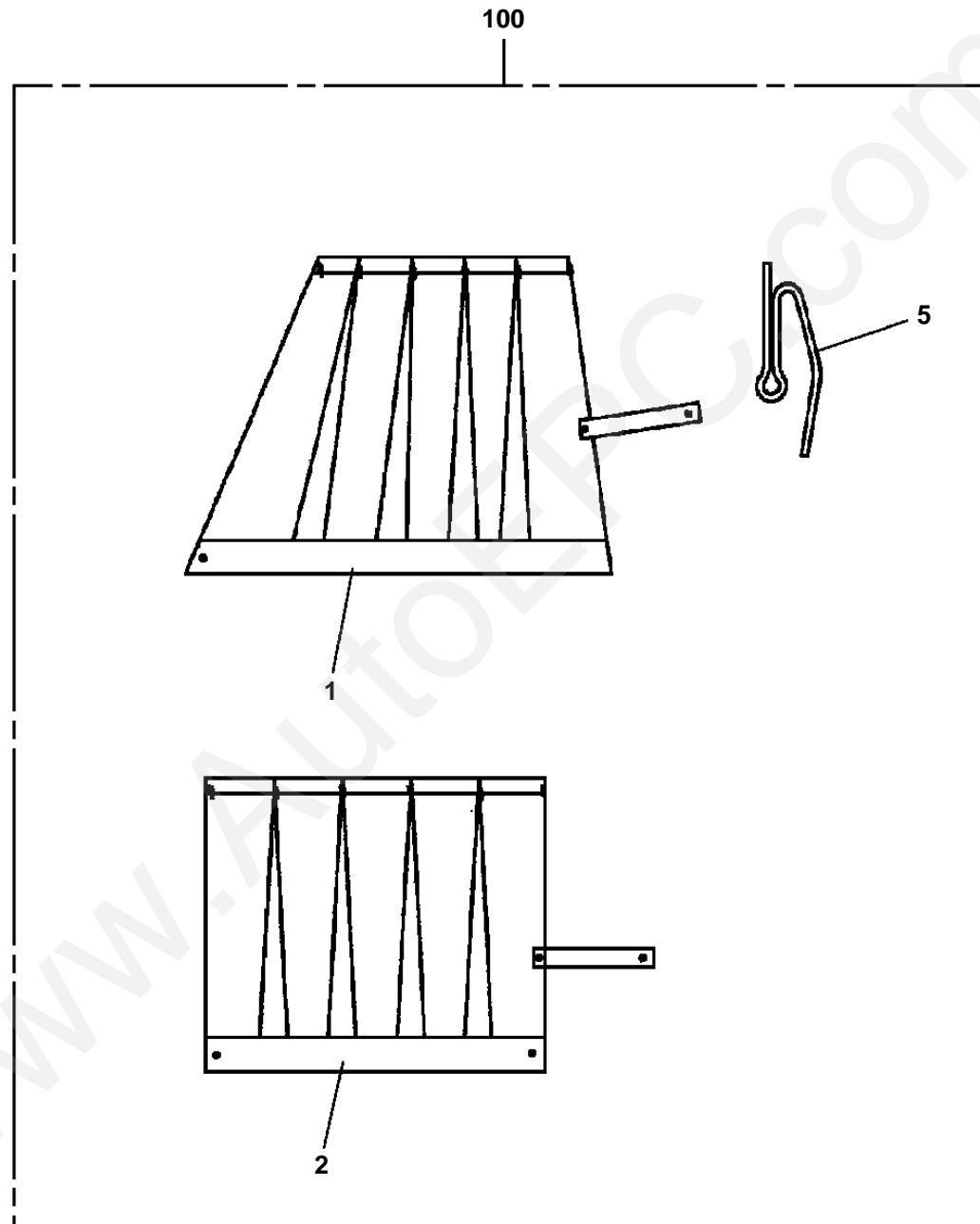
GR-120N-1-00111 12T,X,WINCH(W/O FREE-FALL),JIB(P
PK1200363-00 COVER,SWING FRAME



GR-120N-1-00111 12T,X,WINCH(W/O FREE-FALL),JIB(PT)

Pos No.	Parts No	Parts Name	Qty	Unit	Technical Data	Serial No (Start)	Serial No (End)	Remarks	Pages
1	90280200800	NUT,FLANGE	2		M8				
2	90303071201	WASHER,PLAIN	4		12				
3	90303071001	WASHER,PLAIN	24		10		FD1016		
	90303071001	WASHER,PLAIN	26		10	FD1017			
4	34271290100	COVER	1						
5	90186208014	BOLT,FLANGE	2		M8X14				
6	34270991900	PLATE	1						
7	34271290200	SUPPORT	1						
8	34271290300	COVER	1						
9	34271272500	COVER	1						
10	90186210020	BOLT,FLANGE	33		M10X20				
11	34271002900	COVER	1						
12	34271290500	COVER	1						
13	34271290600	COVER	1						
15	90101212022	BOLT	4		M12X22				
16	90302041201	WASHER,SPRING	4		12				
17	82121800010	PLUG (OTUKA)	5						
18	34271298020	COVER ASSY	1						
19	90303070801	WASHER,PLAIN	2		8		FD1016		
20	34271290900	COVER	1						
21	34271291500	SUPPORT	2						
22	34270811400	PLATE	1						
30	34271298030	COVER ASSY	1						
33	90303071001	WASHER,PLAIN	6		10				
40	90186210020	BOLT,FLANGE	6		M10X20				
51	37000563870	SUPPORT	1						
52	37001600920	NUT	2		M10				
53	42230293100	SUPPORT	1						
54	32620393430	PLATE	1						
55	34270991800	PLATE	1						
56	90155208030	BOLT,WELD	2		M8X30				
57	37000504290	PLATE	2						
58	33270681770	SUPPORT	1						

GR-120N-1-00111 12T,X,WINCH(W/O FREE-FALL),JIB(P
PK1310001-00 CURTAIN

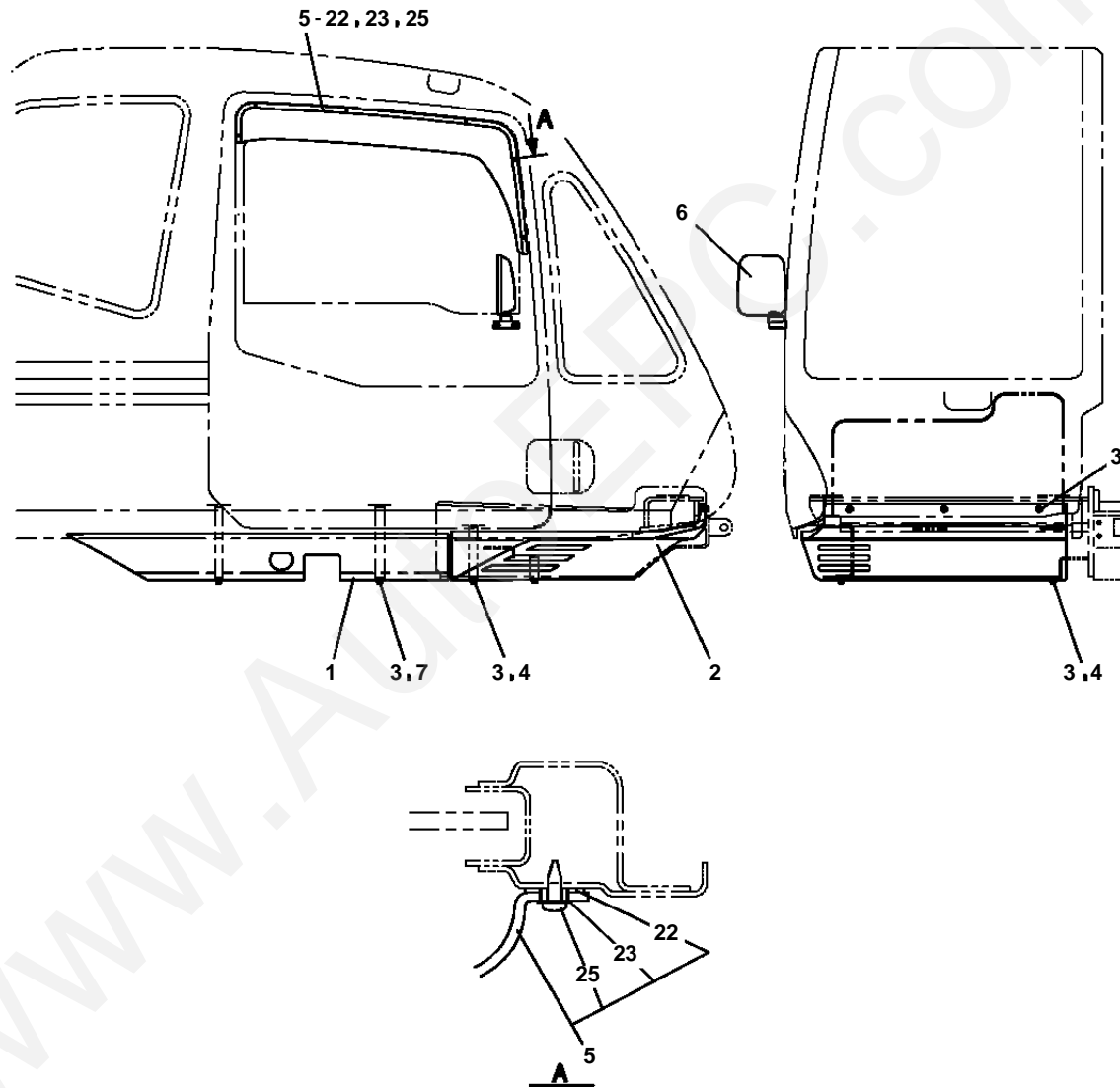


GR-120N-1-00111 12T,X,WINCH(W/O FREE-FALL),JIB(PT)

Pos No.	Parts No	Parts Name	Qty	Unit	Technical Data	Serial No (Start)	Serial No (End)	Remarks	Pages
1	34493437510	CURTAIN ASSY (SIDE)	1						
2	34493437520	CURTAIN ASSY (REAR)	1						
5	34493437550	HOOK	12						
100	34493430000	CURTAIN	1						

www.AutoEPC.com

GR-120N-1-00111 12T,X,WINCH(W/O FREE-FALL),JIB(P.T)
PK1330066-00 COVER (CAB)

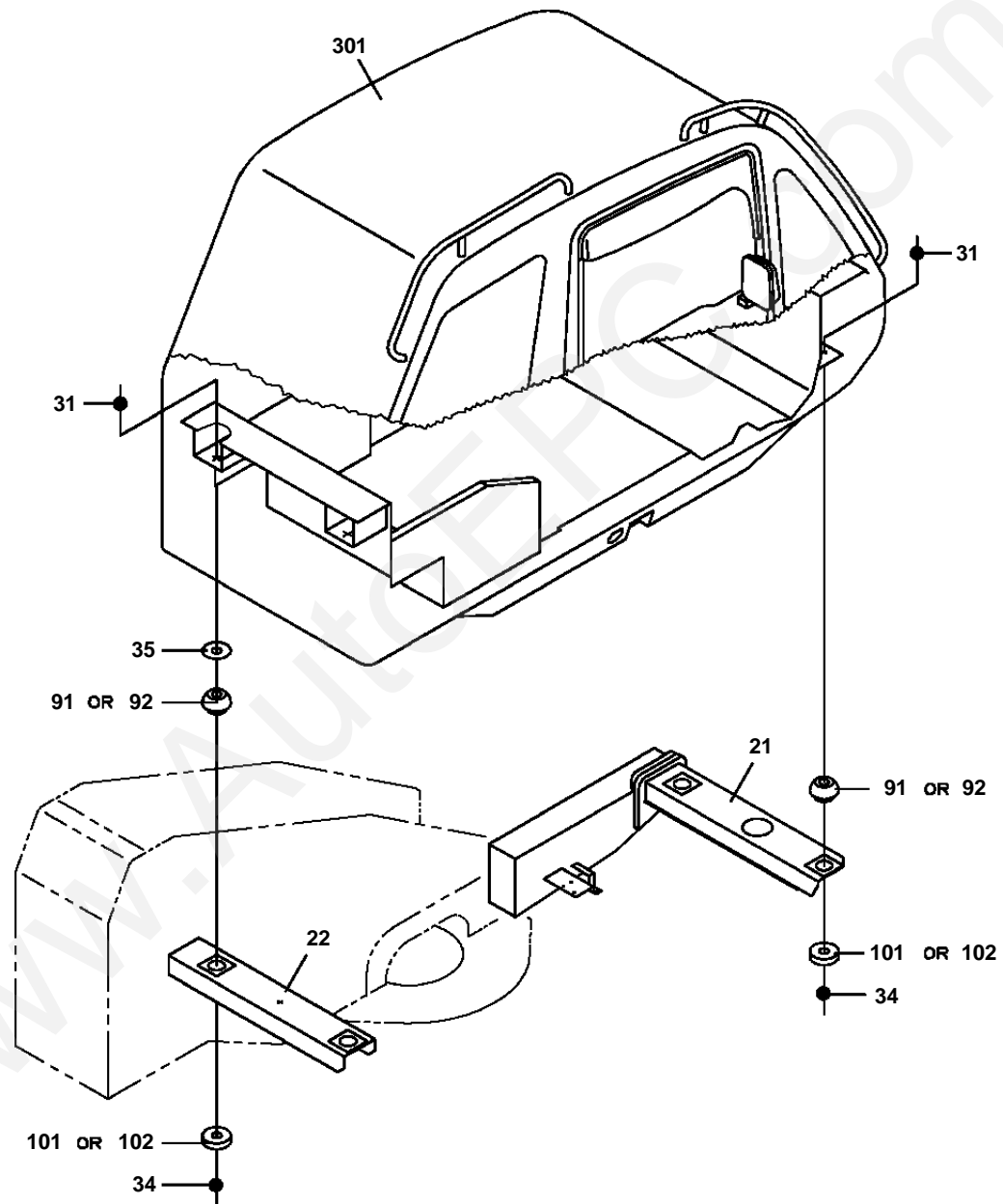


GR-120N-1-00111 12T,X,WINCH(W/O FREE-FALL),JIB(PT)

Pos No.	Parts No	Parts Name	Qty	Unit	Technical Data	Serial No (Start)	Serial No (End)	Remarks	Pages
1	34271295100	COVER	1						
2	34271295200	COVER	1						
3	90186208014	BOLT,FLANGE	9		M8X14				
4	90303071001	WASHER,PLAIN	6		10		FD0627		
	90303071001	WASHER,PLAIN	2		10	FD0628			
5	34260581300	SIDE VISOR	1						
6	34270933300	MIRROR	1						
7	37000505950	PLATE	4		T=3.2	FD0628			
22	34260587530	TAPE (30M)	1						
23	34260587540	SPACER	6						
25	34260587550	SCREW,TAPPING			M3X8/SUS				

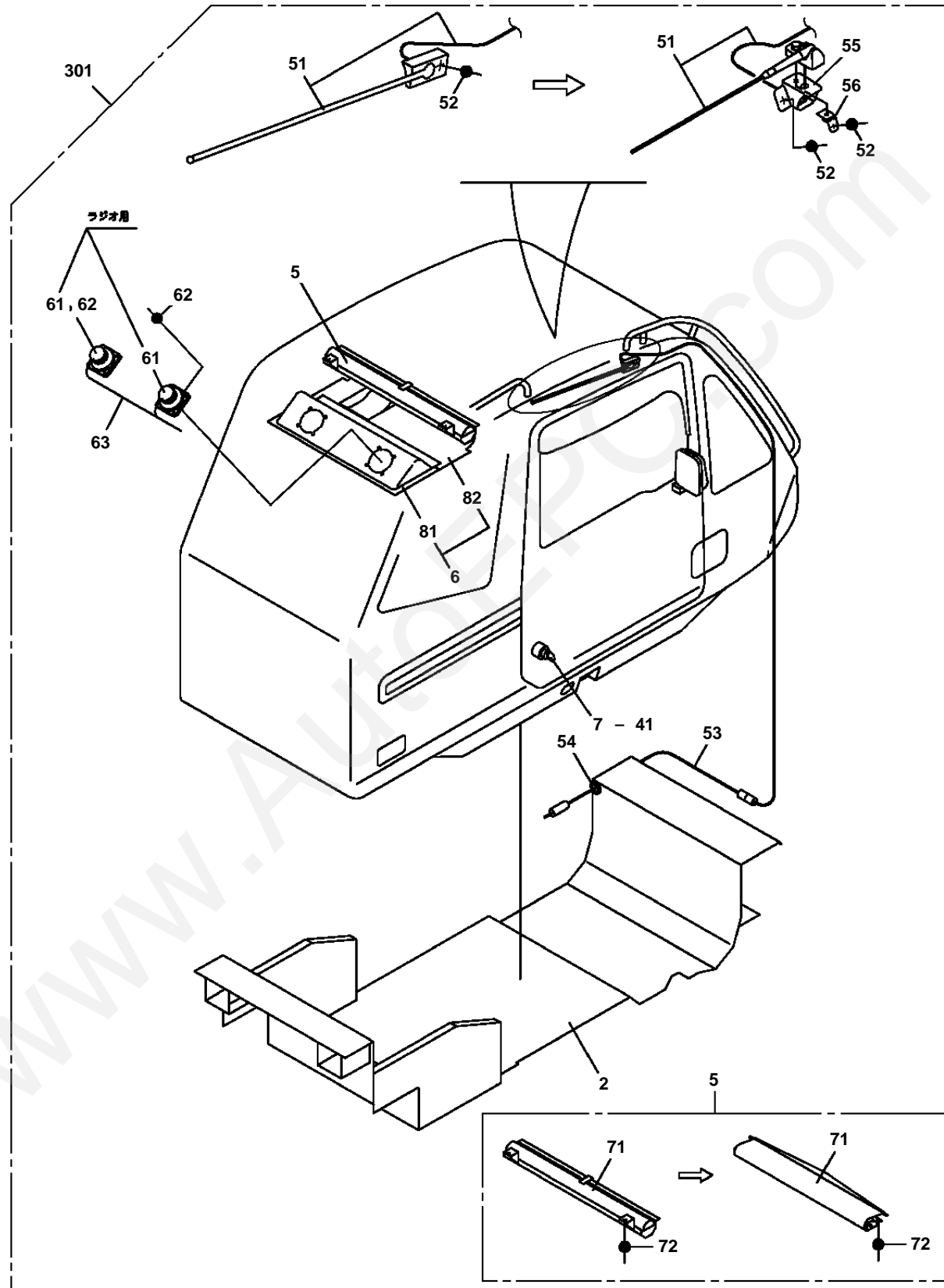
www.AutoEPC.com

GR-120N-1-00111 12T,X,WINCH(W/O FREE-FALL),JIB(P
PK1410042-04 MOUNT,CAB



展開圖有
ILLUSTRATED BREAKDOWN NO. 301

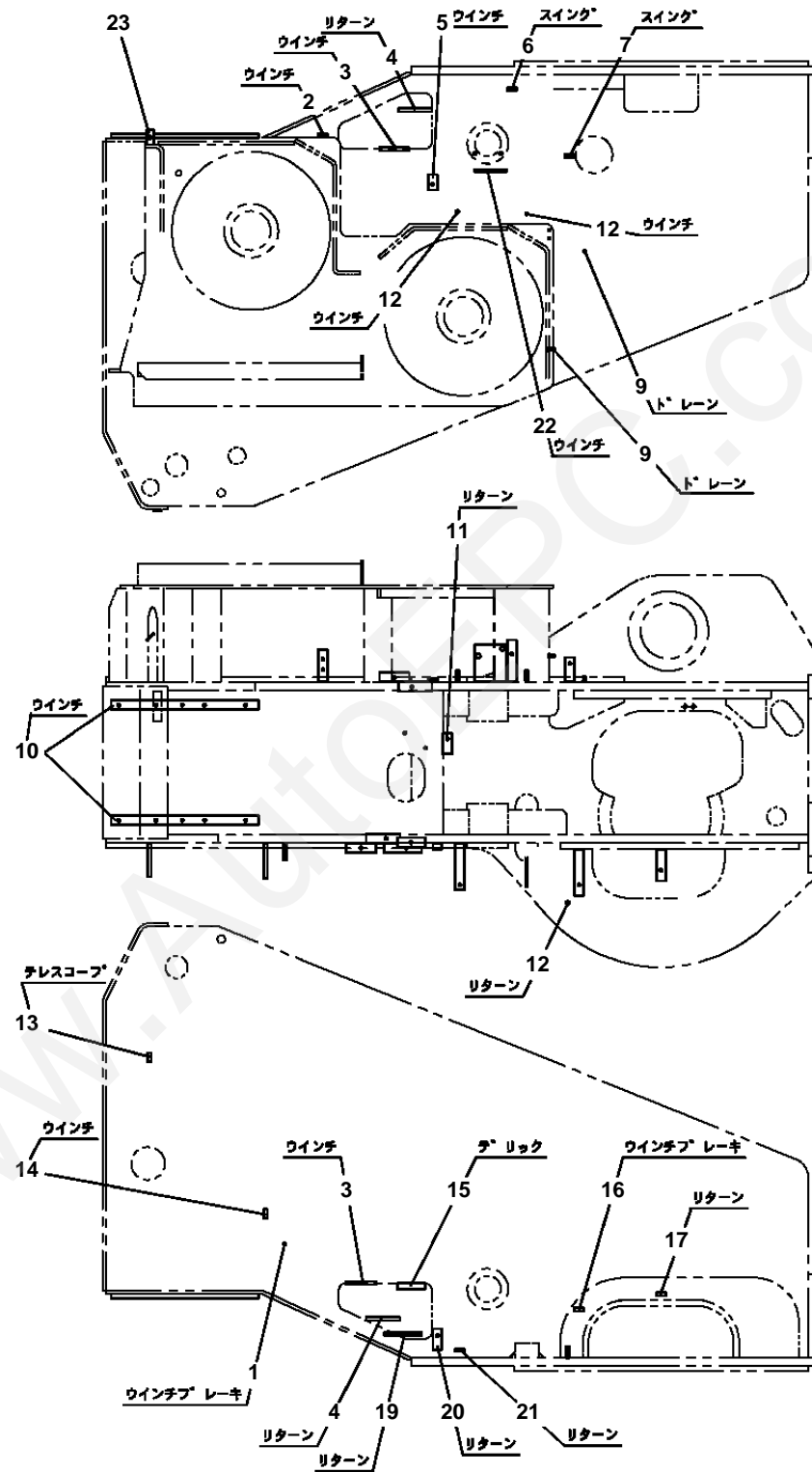
GR-120N-1-00111 12T,X,WINCH(W/O FREE-FALL),JIB(P.T)
PK1410042-04 MOUNT,CAB



GR-120N-1-00111 12T,X,WINCH(W/O FREE-FALL),JIB(PT)

Pos No.	Parts No	Parts Name	Qty	Unit	Technical Data	Serial No (Start)	Serial No (End)	Remarks	Pages
1	(*****)	CAB,OPERATOR	1				FD0511		000146
	(*****)	CAB,OPERATOR	1			FD0512	FD1451		000147
	(*****)	CAB,OPERATOR	1			FD1452			000148
2	34260883000	FRAME	1						
5	34260634300	SUNSHADE	1						
6	34260634400	TRIM ASSY (ROOF)	1						
7	34260585700	SWITCH,STARTER (WITH CONNECTOR)	1						
21	34260885100	SUPPORT	1						
22	34260636300	SUPPORT	1						
31	90193024085	BOLT	4		M24X2X85				
34	90209252400	NUT	4		M24X2				
35	37000558030	SHIM	2		T=3.2				
41	34260585600	SWITCH ASSY (STARTER & DOOR LOCK SET)	1						
51	34477391100	ANTENNA (RADIO)	1				FD2706		
	34261900500	ANTENNA (ASSY ONLY)	1			FD2707			
52	90925050121	SCREW,TAPPING	2		M5X12				
53	34477391300	CABLE	1						
54	82100000920	GROMMET	1						
55	34260634010	SUPPORT	1			FD2707			
56	34260634020	SUPPORT	1			FD2707			
57	89850208100	TUBE,HEAT	1	M		FD2850			
61	34477860200	SPEAKER (ASSY ONLY)	2						
62	90925040201	SCREW,TAPPING	8						
63	34260634110	HARNESS	1						000094
71	34260634311	SUNSHADE	1				FD0573		
	34261053990	SUNSHADE	1			FD0574			
72	80192486014	SCREW,MACHINE (WITH WASHER)	4		M6X14		FD0573		
	80192486014	SCREW,MACHINE (WITH WASHER)	2		M6X14	FD0574			
81	34260634410	TRIM	1						
82	34260634420	TRIM	1						
91	34780432500	CUSHION (KURASHIKIKAKO)	4						
92	34260770200	CUSHION (ASAHI GOMU)	4						
101	34260230900	CUSHION (KURASHIKIKAKO)	4						
102	34260770400	CUSHION (ASAHI GOMU)	4						
301	34260880100	CAB ASSY	1						

GR-120N-1-00111 12T,X,WINCH(W/O FREE-FALL),JIB(P.T)
 PK1940001-01 MOUNT (SUPPORT/SWING FRAME)

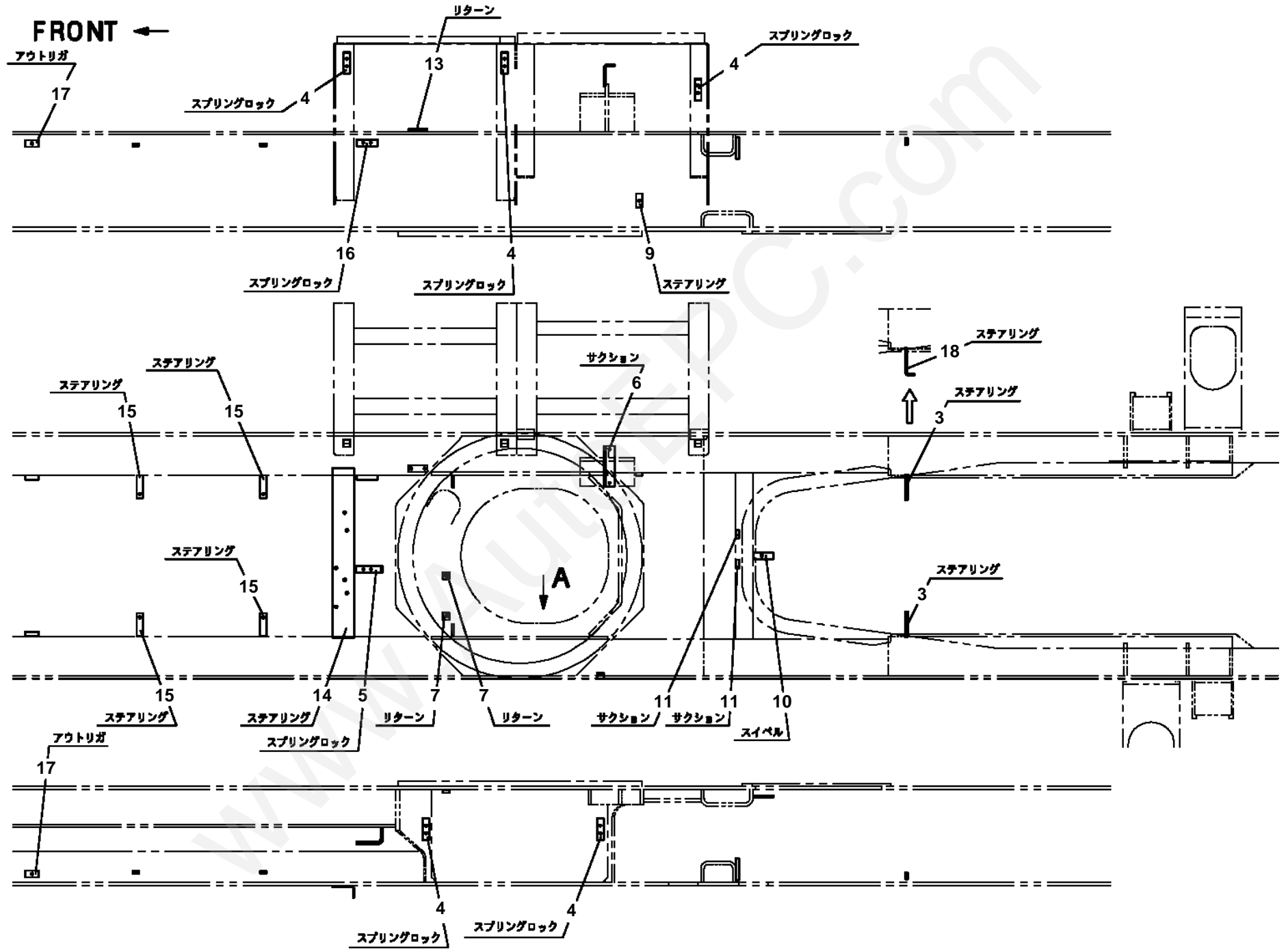


GR-120N-1-00111 12T,X,WINCH(W/O FREE-FALL),JIB(PT)

Pos No.	Parts No	Parts Name	Qty	Unit	Technical Data	Serial No (Start)	Serial No (End)	Remarks	Pages
1	90155208045	BOLT,WELD	1		M8X45				
2	37000551670	PLATE	1						
3	37000514150	PLATE	2						
4	37000502330	PLATE	2						
5	37000538820	PLATE	1						
6	37000513250	PLATE	1						
7	19114804000	PLATE	1						
9	90190000008	BOLT,STUD	1		M6X20		FD0454		
	90190000008	BOLT,STUD	2		M6X20	FD0455			
10	34344146510	PLATE	2						
11	37000500120	PLATE	1						
12	90155208030	BOLT,WELD	3		M8X30				
13	37000502630	PLATE	1						
14	37000502360	PLATE	1						
15	37000526450	PLATE	1						
16	37000518740	PLATE	1						
17	37000502340	PLATE	1						
19	37000502350	PLATE	1						
20	37000529450	PLATE	1						
21	37000537580	PLATE	1						
22	34344136510	PLATE	1						
23	34250000850	PLATE	1		T=4.5				

www.AutoEPC.com

GR-120N-1-00111 12T,X,WINCH(W/O FREE-FALL),JIB(P.T)
 PK1940003-03 MOUNT (SUPPORT/FRAME)

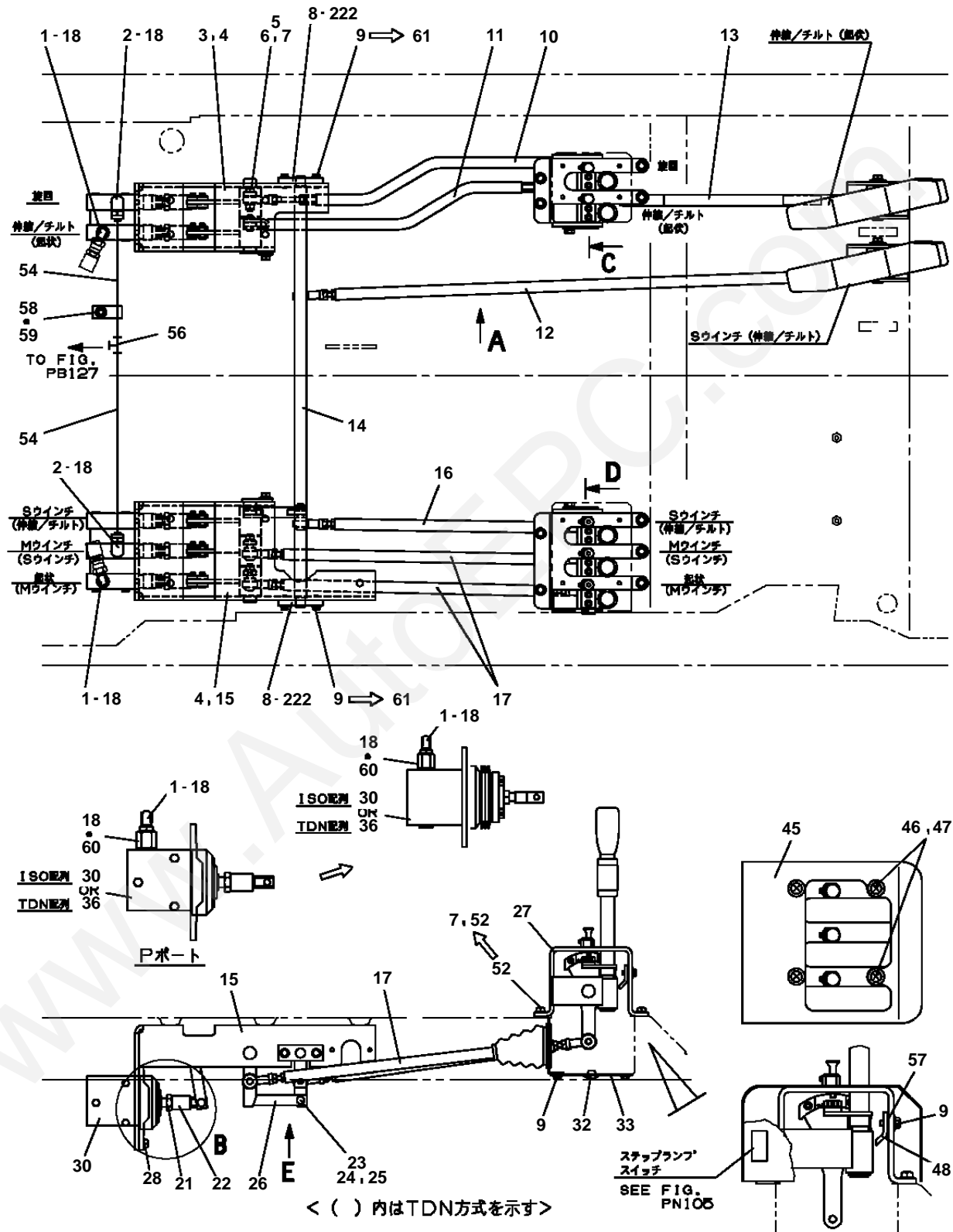


GR-120N-1-00111 12T,X,WINCH(W/O FREE-FALL),JIB(PT)

Pos No.	Parts No	Parts Name	Qty	Unit	Technical Data	Serial No (Start)	Serial No (End)	Remarks	Pages
3	37000502360	PLATE	2				FD0855		
	37000502360	PLATE	1			FD0856			
4	37000512030	PLATE	5						
5	37000503520	SUPPORT	1						
6	34640976200	SUPPORT	1						
7	33250000230	PLATE	2						
9	37000529230	PLATE	1			FD0804			
10	37000516570	PLATE	1						
11	37000537630	PLATE	2						
13	37000500060	PLATE	1						
14	34640976100	SUPPORT	1						
15	37000513530	PLATE	4						
16	37000523240	PLATE	1						
17	56057151000	PLATE	2						
18	37000585690	SUPPORT	1			FD0856			

www.AutoEPC.com

GR-120N-1-00111 12T,X,WINCH(W/O FREE-FALL),JIB(P.T)
 PL1010885-06 OPE.ASSY,CONT.VALVE (ISO)



展開図有
 ILLUSTRATED BREAKDOWN NO. 3,10,11,12,13,15,16,17,17

GR-120N-1-00111 12T,X,WINCH(W/O FREE-FALL),JIB(P.T)
 PL1010885-06 OPE.ASSY,CONT.VALVE (ISO)

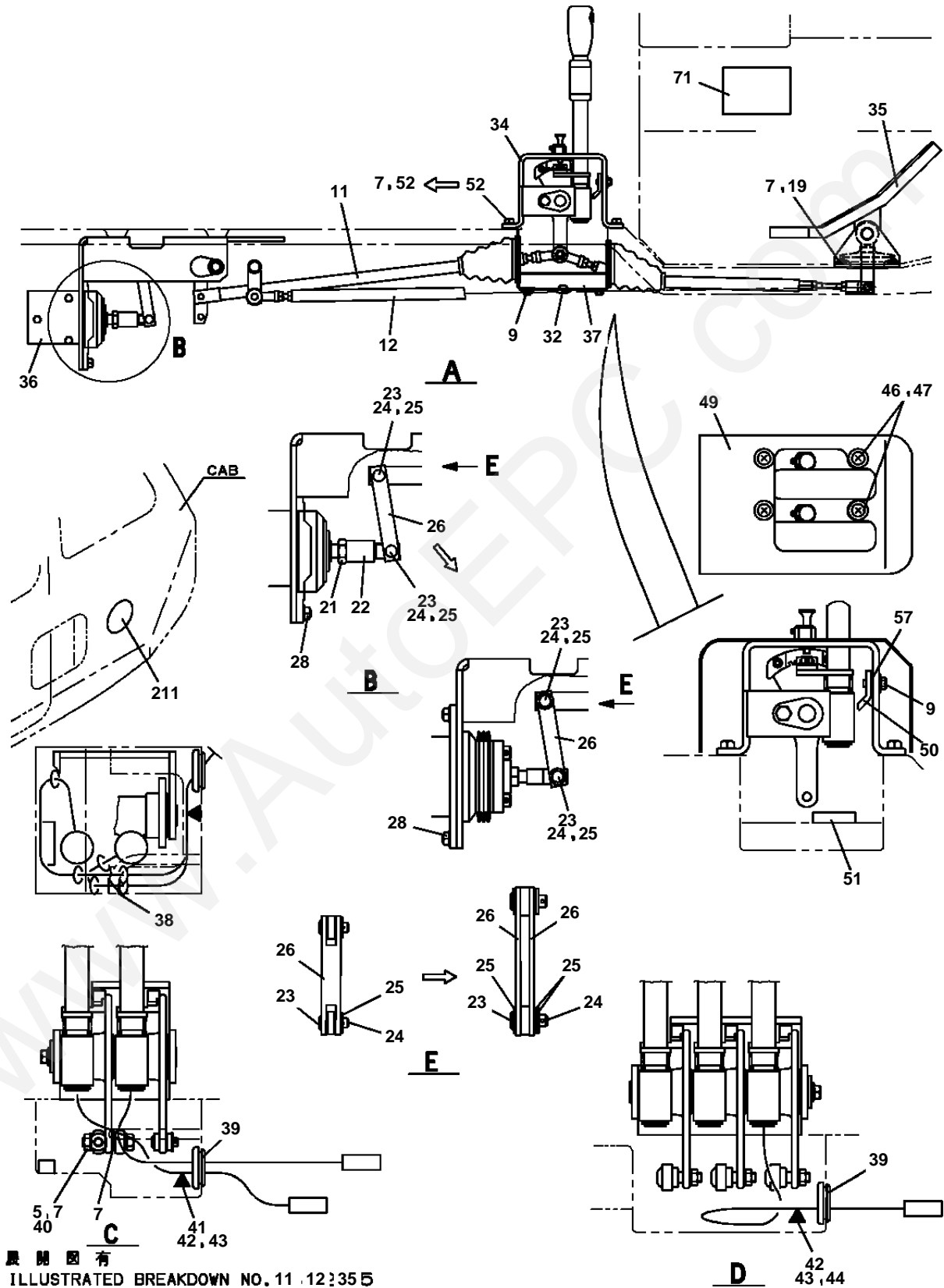
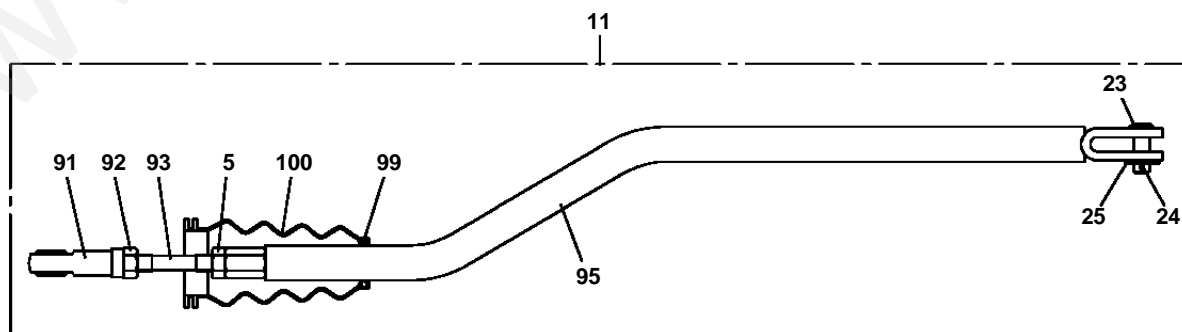
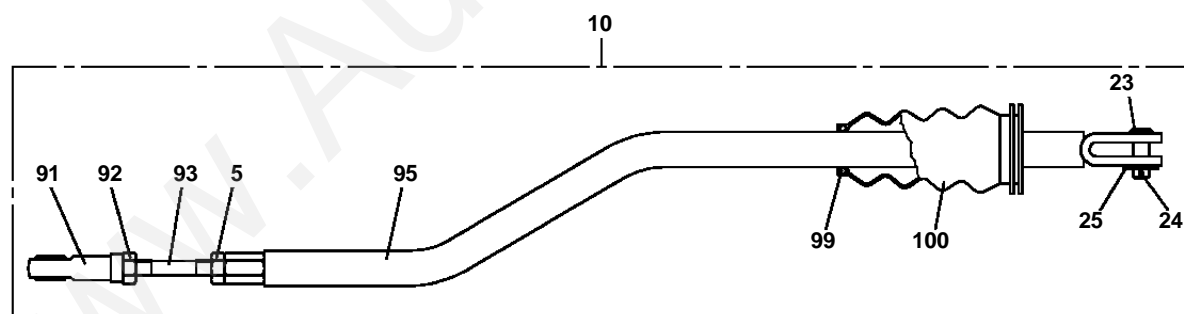
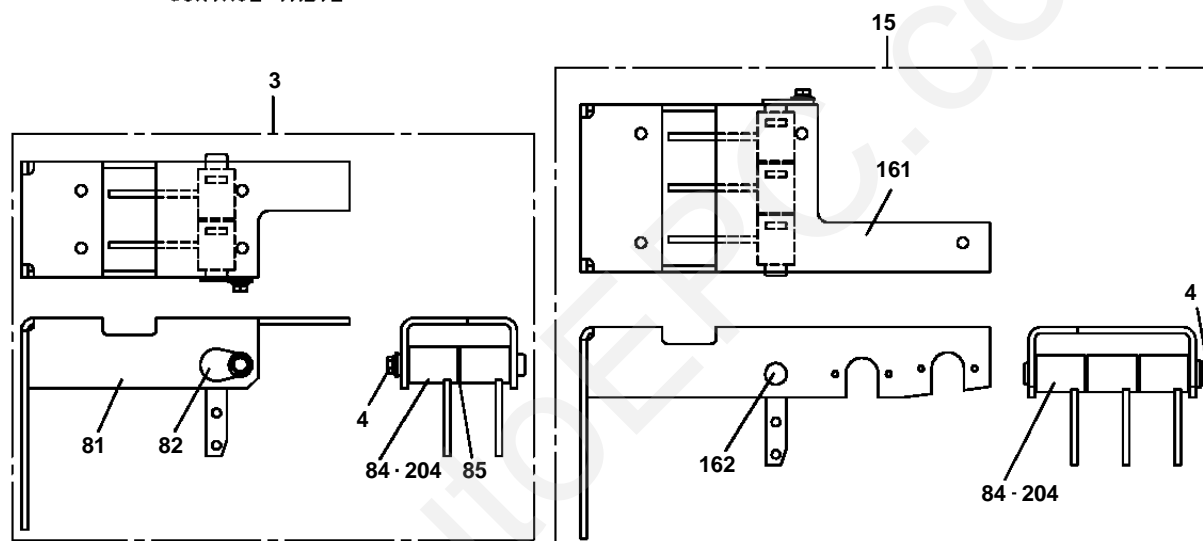
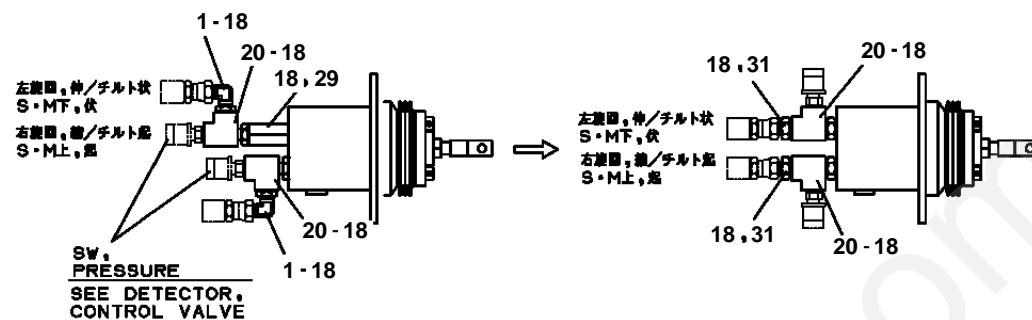
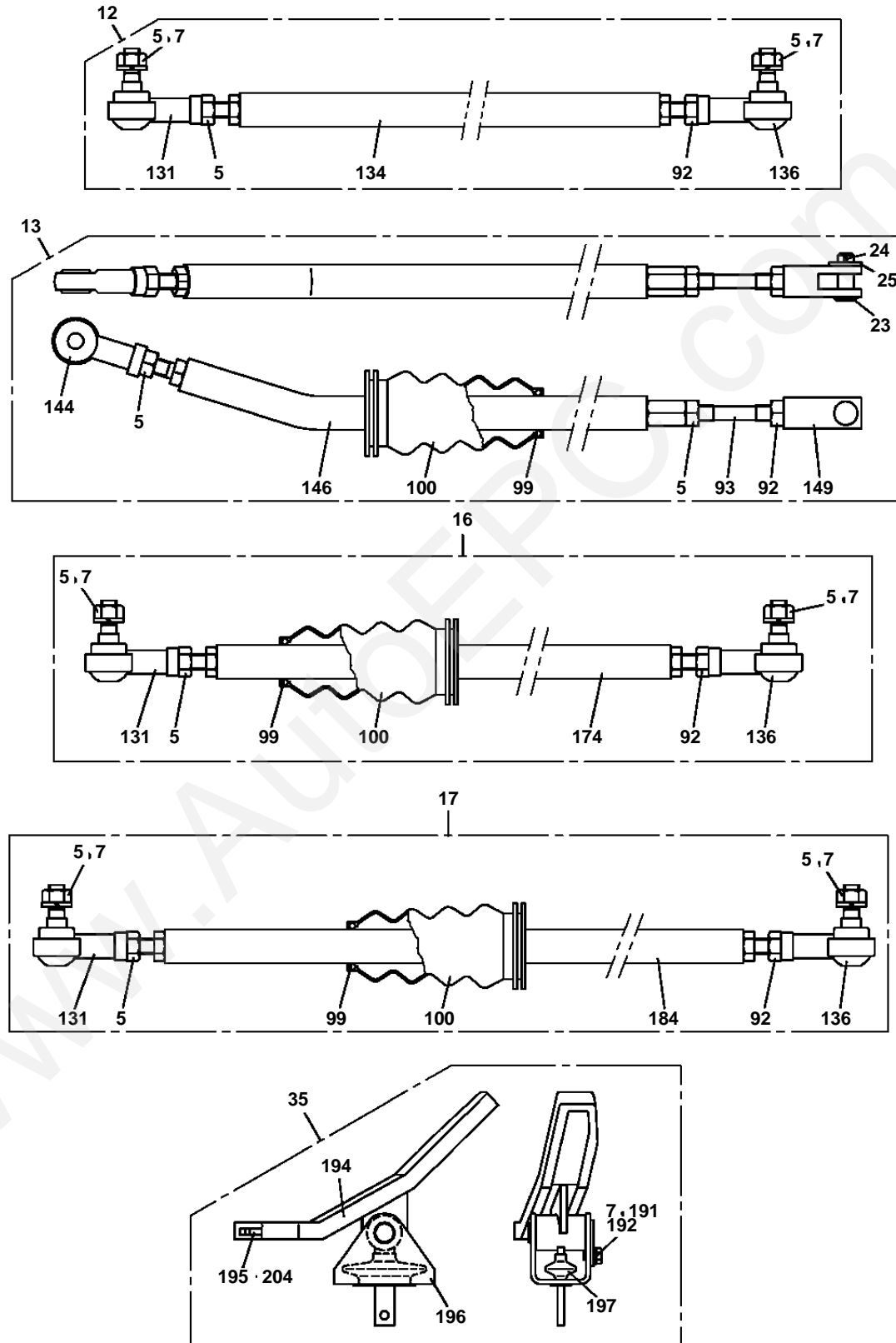


圖 有
 ILLUSTRATED BREAKDOWN NO. 11.12:35 B

GR-120N-1-00111 12T,X,WINCH(W/O FREE-FALL),JIB(PT)
 PL1010885-06 OPE.ASSY,CONT.VALVE (ISO)



GR-120N-1-00111 12T,X,WINCH(W/O FREE-FALL),JIB(P
PL1010885-06 OPE.ASSY,CONT.VALVE (ISO)



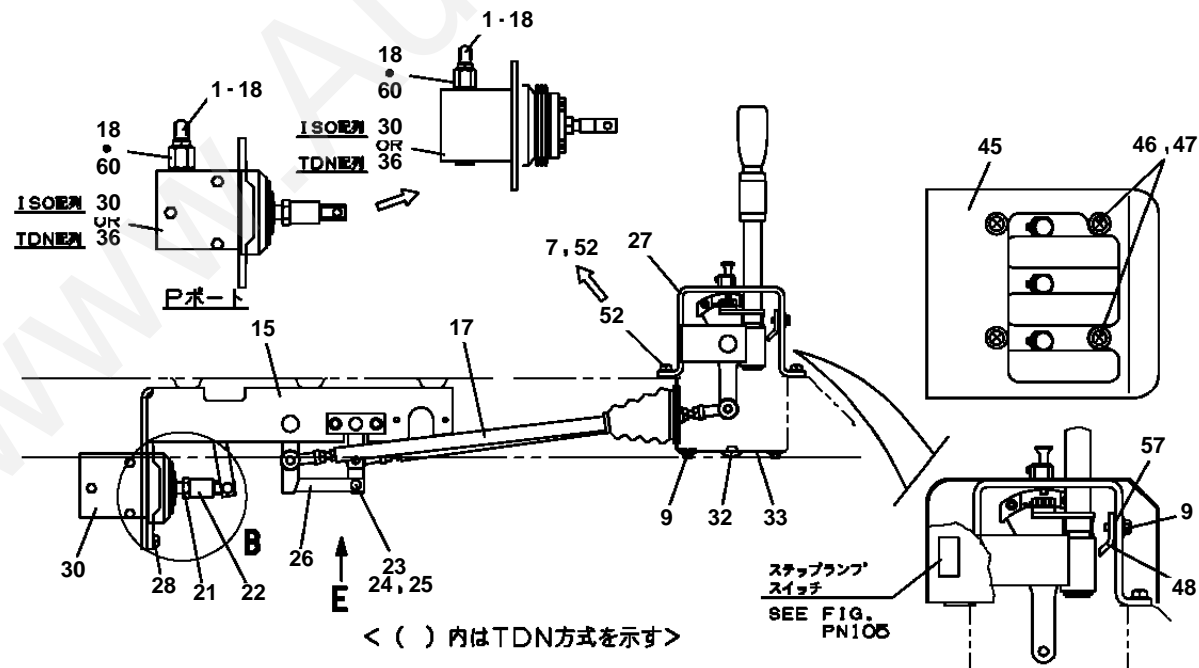
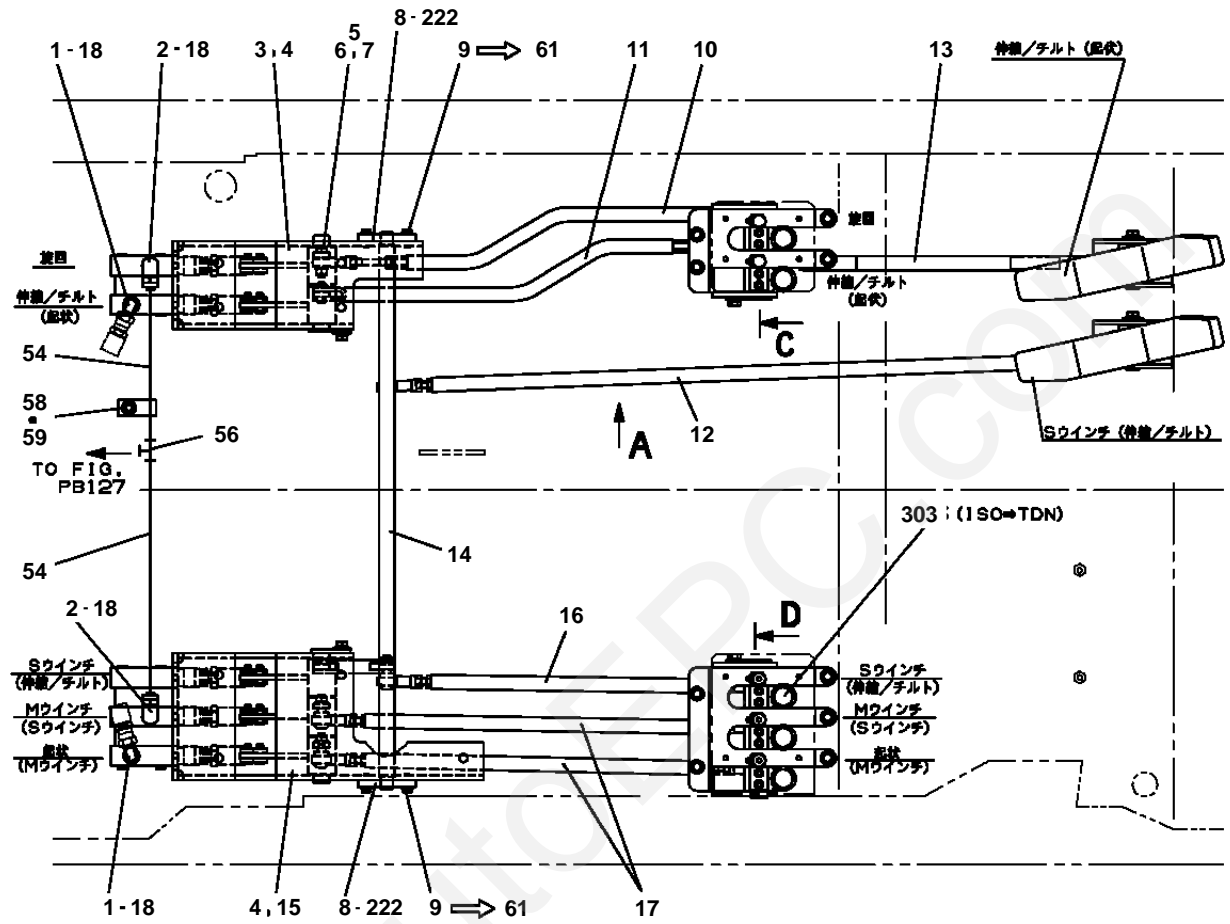
GR-120N-1-00111 12T,X,WINCH(W/O FREE-FALL),JIB(PT)

Pos No.	Parts No	Parts Name	Qty	Unit	Technical Data	Serial No (Start)	Serial No (End)	Remarks	Pages
1	80430620400	JOINT	12				FD0627		
	80430620400	JOINT	2			FD0628	FD1007		
	36672530000	FILTER (WITH O-RING)	2			FD1008			
2	80441030904	FITTING,ELBOW (WITH O-RING)	2		L,G1/4-12.7				
3	34321961000	LEVER ASSY	1						
4	99172108016	BOLT,TAPPING	10		M8X16				
5	90201200800	NUT	18		M8				
6	90101208030	BOLT	1		M8X30				
7	90302040801	WASHER,SPRING	26		8				
8	34321960900	PLATE	2						
9	99172106016	BOLT,TAPPING	12		M6X16				
10	34321962000	ROD ASSY	1						
11	34321960800	ROD ASSY	1						
12	34321614500	ROD ASSY	1						
13	34321972100	ROD ASSY	1						
14	34322030400	LEVER	1						
15	34321963000	LEVER ASSY	1						
16	34321961400	ROD ASSY	1						
17	34321961500	ROD ASSY	2						
18	91002801100	O-RING	12		1B P11		FD0627		
	91002801100	O-RING	10		1B P11		FD2839		
	91002801100	O-RING	7		1B P11				
	91002801100	O-RING	13		1B P11	FD0628			
	91002801100	O-RING	10		1B P11	FD2840			
19	90180208020	BOLT,BUTTON	4		M8X20				
20	37000925320	JOINT (FILTER,WITH O-RING)	10		T,3-G1/4		FD2839		
	37000932660	JOINT (WITH O-RING)	10		T G1/4-G1/4-G1/4	FD2840			
21	90211201400	NUT	5		M14		FD0433		
22	34321960200	END	5				FD0433		
23	37000105730	PIN	15						
24	80136320016	PIN,SPLIT	15		2X16				
25	90303070801	WASHER,PLAIN	12		8		FD0442		
	90303070801	WASHER,PLAIN	3		8				
	90303070801	WASHER,PLAIN	36		8	FD0443			
26	34321296800	ROD	6				FD0442		
	37000582110	PLATE	12			FD0443			
27	(*****)	LEVER ASSY (3-LEVER)	1						000173
28	99172108020	BOLT,TAPPING	8		M8X20				
29	37000927050	JOINT	5				FD0627		
30	36636280000	VALVE,CONTROL (3 LEVER)	1				FD0433		000168
	36637750000	VALVE,CONTROL	1			FD0434			000169
31	80400160127	JOINT	10			FD0628			
32	34350002100	CAP	2						
33	34321960300	COVER	1						
34	(*****)	LEVER ASSY (2-LEVER)	1						000174
35	34321966000	PEDAL ASSY	2						
36	36636270000	VALVE,CONTROL (2 LEVER)	1				FD0433		000167
	36638060000	VALVE,CONTROL	1			FD0434			000170
37	34321960400	COVER	1						
38	91810130240	FASTENER	1						
39	82100000920	GROMMET	2						
40	90101208040	BOLT	1		M8X40				
41	82100002006	CLAMP	1		WR10				
42	90201200600	NUT	2		M6				
43	90302040601	WASHER,SPRING	2		6				
44	82100002002	CLAMP	1		WR6				

GR-120N-1-00111 12T,X,WINCH(W/O FREE-FALL),JIB(PT)

Pos No.	Parts No	Parts Name	Qty	Unit	Technical Data	Serial No (Start)	Serial No (End)	Remarks	Pages
45	34321960600	COVER	1				FD0167		
	34321960601	COVER	1			FD0168			
46	80186406016	SCREW,MACHINE	8		M6X16				
47	90305260601	WASHER	8		B1-6				
48	34321966500	SUPPORT	1						
49	34321960700	COVER	1				FD0167		
	34321960701	COVER	1			FD0168			
50	34321966600	SUPPORT	1						
51	34321370050	CUSHION	1						
52	99191208020	BOLT,TAPPING (M8X20)	9						
54	89640101000	HOSE	2		880-NFK,1M				
56	80400160126	FITTING,TEE	1		20364-U1/2				
57	90303070601	WASHER,PLAIN	4		6				
58	90280200800	NUT,FLANGE	2		M8				
59	82100002009	CLAMP	1		WRC12				
61	90186206020	BOLT,FLANGE	4		M6X20				
71	37002223880	PLATE,NAME (PEDAL)	1						
81	34321961100	SUPPORT	1						
82	37000118050	PIN	1						
84	34321961200	LEVER	5						
85	37000588120	PLATE	1			FD1467			
91	80567000005	END	2						
92	90291200800	NUT	7		M8				
93	37001501540	BOLT	3						
95	34321962100	ROD	2						
99	82400000333	RING	6						
100	34321966700	BOOT	6						
131	80565000081	END	4						
134	34321614600	ROD	1						
136	80565000082	END	4						
144	80567000004	END	1						
146	34321972200	ROD	1						
149	34330051540	END	1						
161	34321963100	SUPPORT	1						
162	37000180380	PIN	1						
174	34321296210	ROD	1						
184	34321296110	ROD	2						
191	37000132540	PIN	2		20				
192	90101208012	BOLT	2		M8X12				
194	34321966100	COVER	2						
195	34321966200	PEDAL	2						
196	34321966300	SUPPORT	2						
197	34321966400	BOOT	2						
204	80801002010	BEARING,PLAIN	14						
211	(*****)	PLATE,NAME (STD OPERATION MARK)	1						000229
222	80801001508	BEARING,PLAIN	2						

GR-120N-1-00111 12T,X,WINCH(W/O FREE-FALL),JIB(P.T)
 PL1010886-06 OPE.ASSY,CONT.VALVE (TDN)



展開図有
 ILLUSTRATED BREAKDOWN NO. 3,10,11,12,13,15,16,17,17

GR-120N-1-00111 12T,X,WINCH(W/O FREE-FALL),JIB(P
 PL1010886-06 OPE.ASSY,CONT.VALVE (TDN)

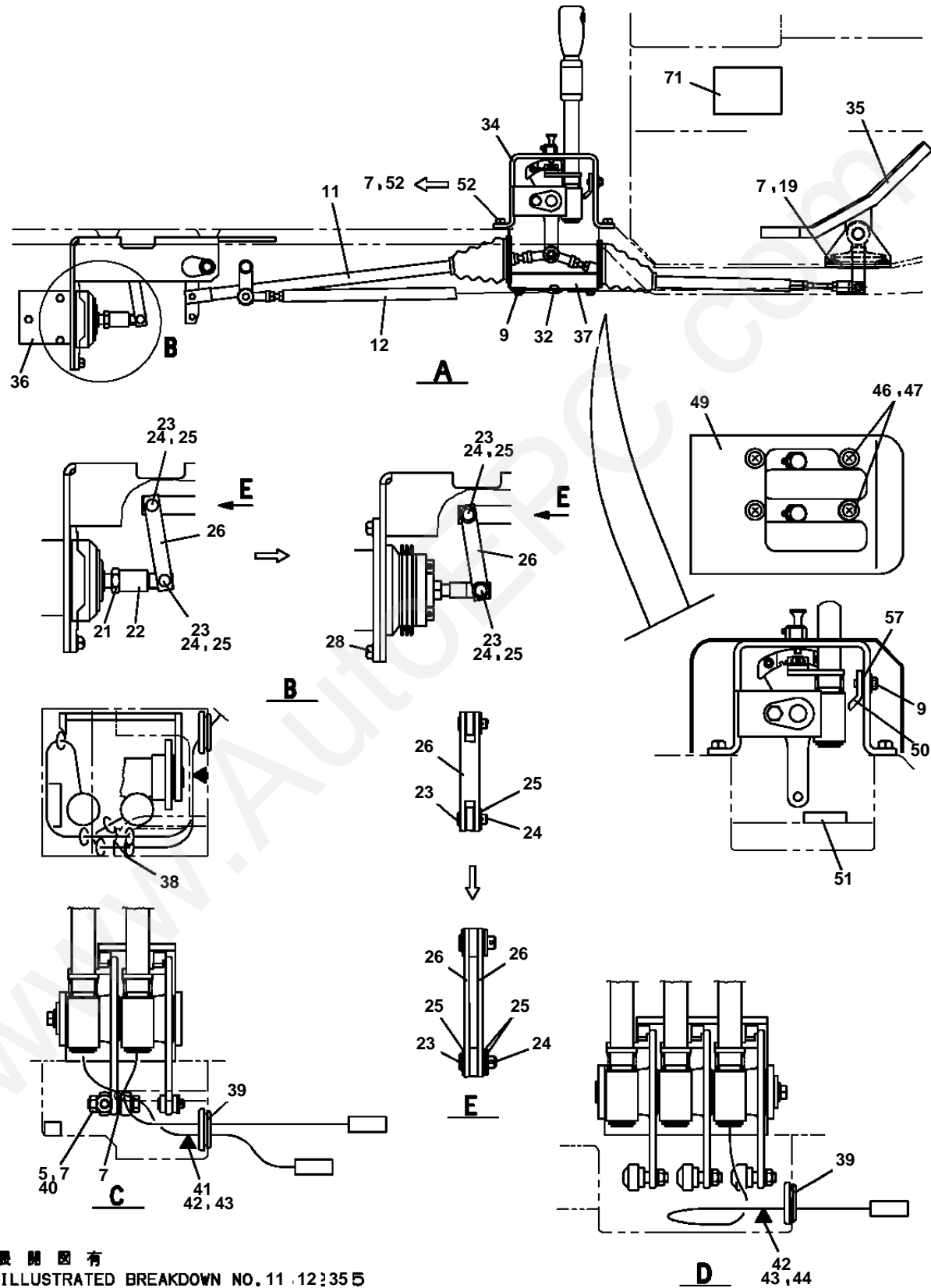
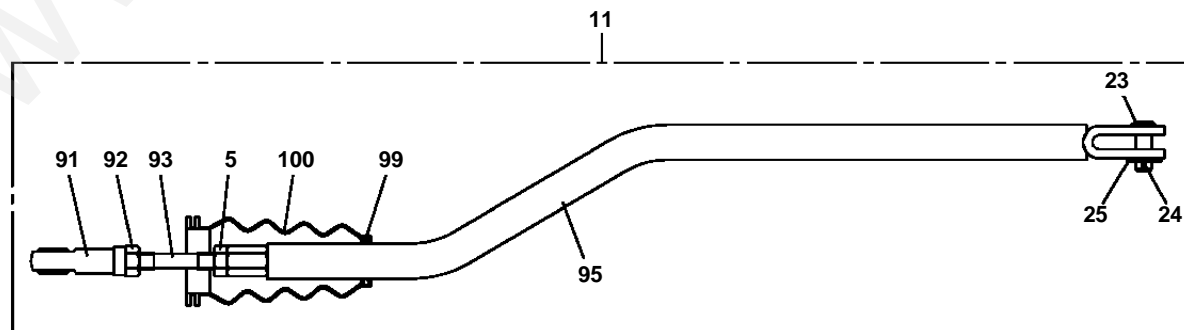
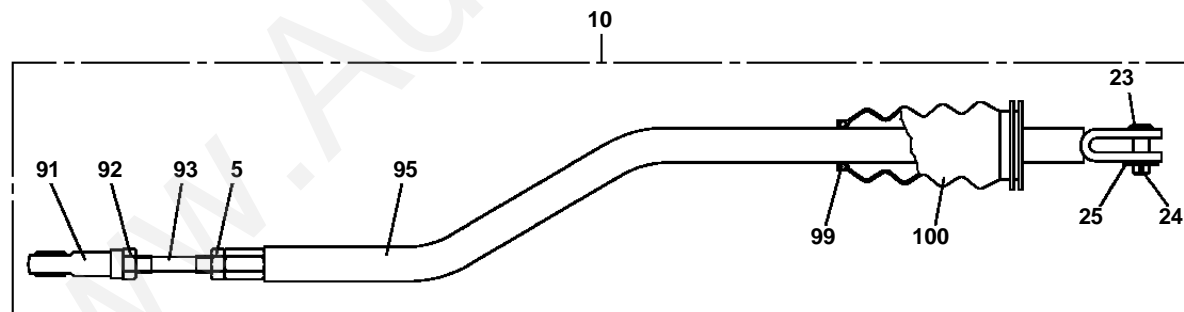
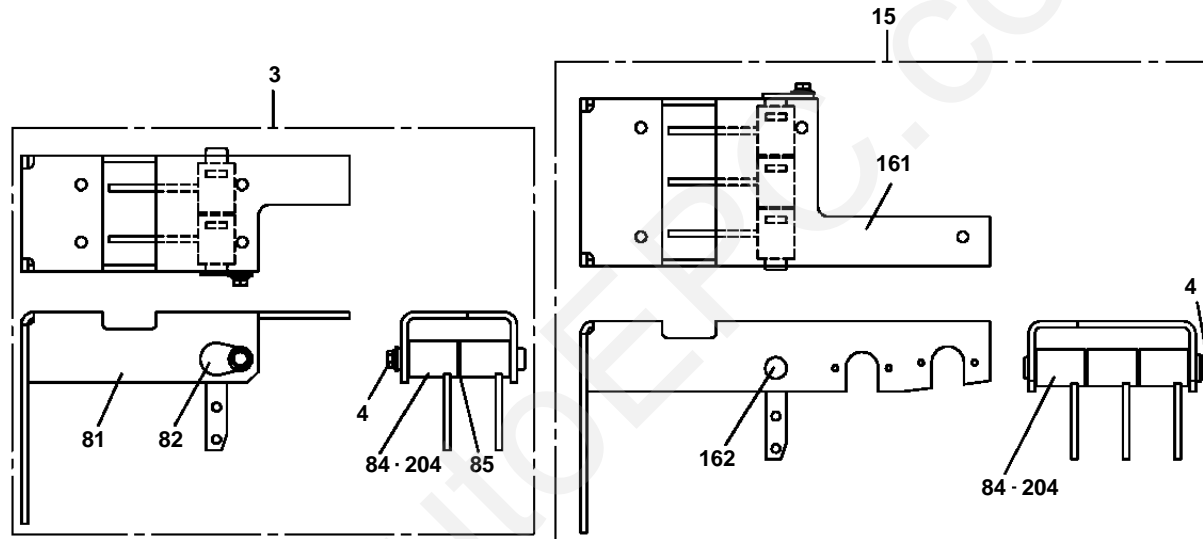
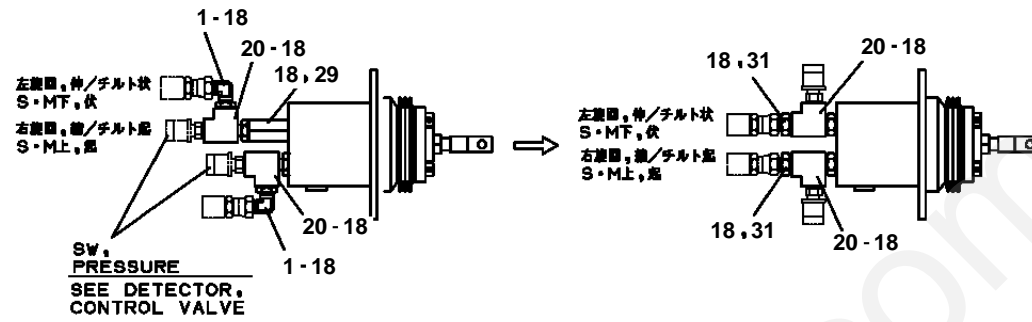
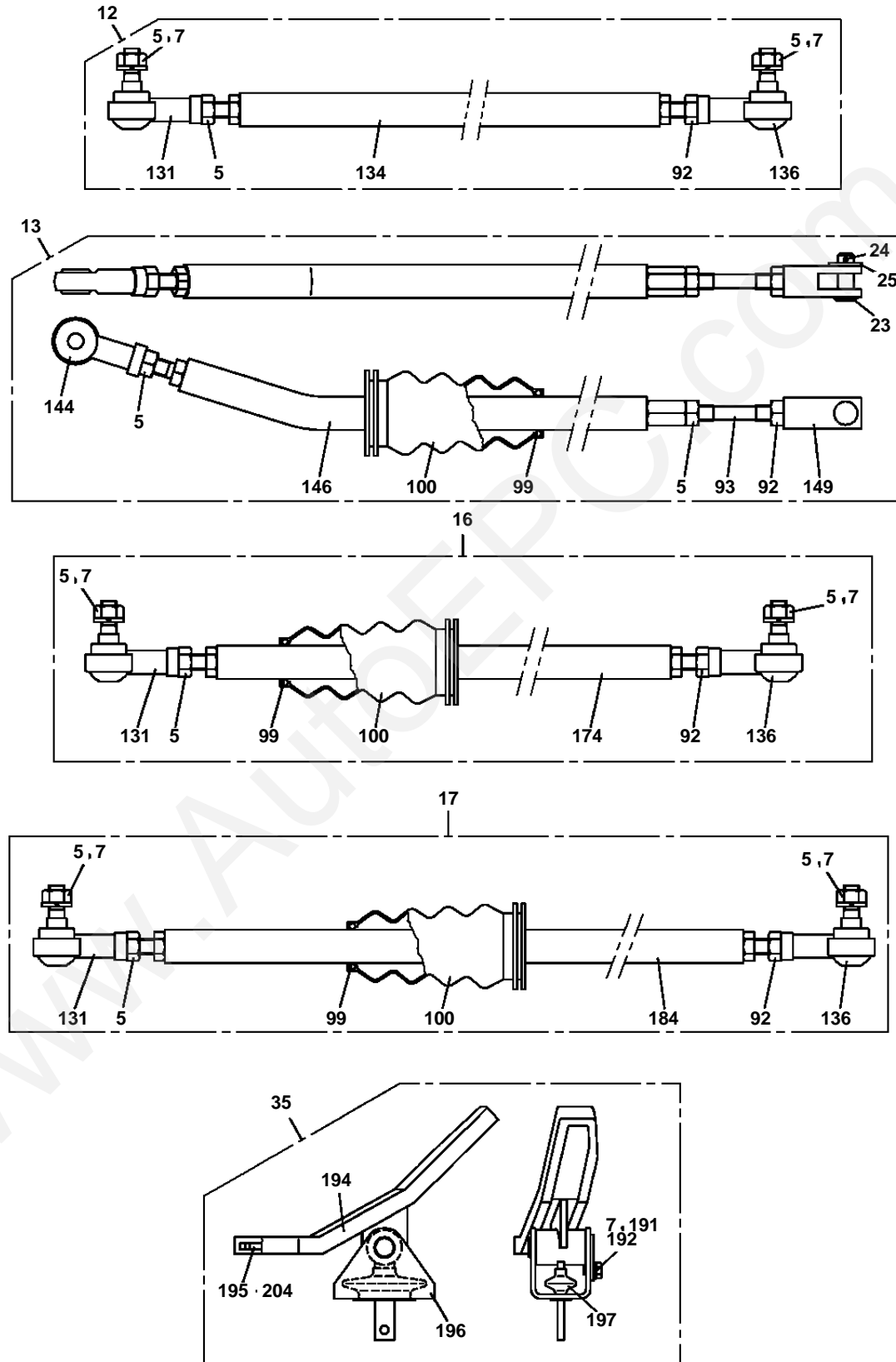


圖 有
 ILLUSTRATED BREAKDOWN NO. 11, 12, 35, 5

GR-120N-1-00111 12T,X,WINCH(W/O FREE-FALL),JIB(PT)
 PL1010886-06 OPE.ASSY,CONT.VALVE (TDN)



GR-120N-1-00111 12T,X,WINCH(W/O FREE-FALL),JIB(P.T)
PL1010886-06 OPE.ASSY,CONT.VALVE (TDN)



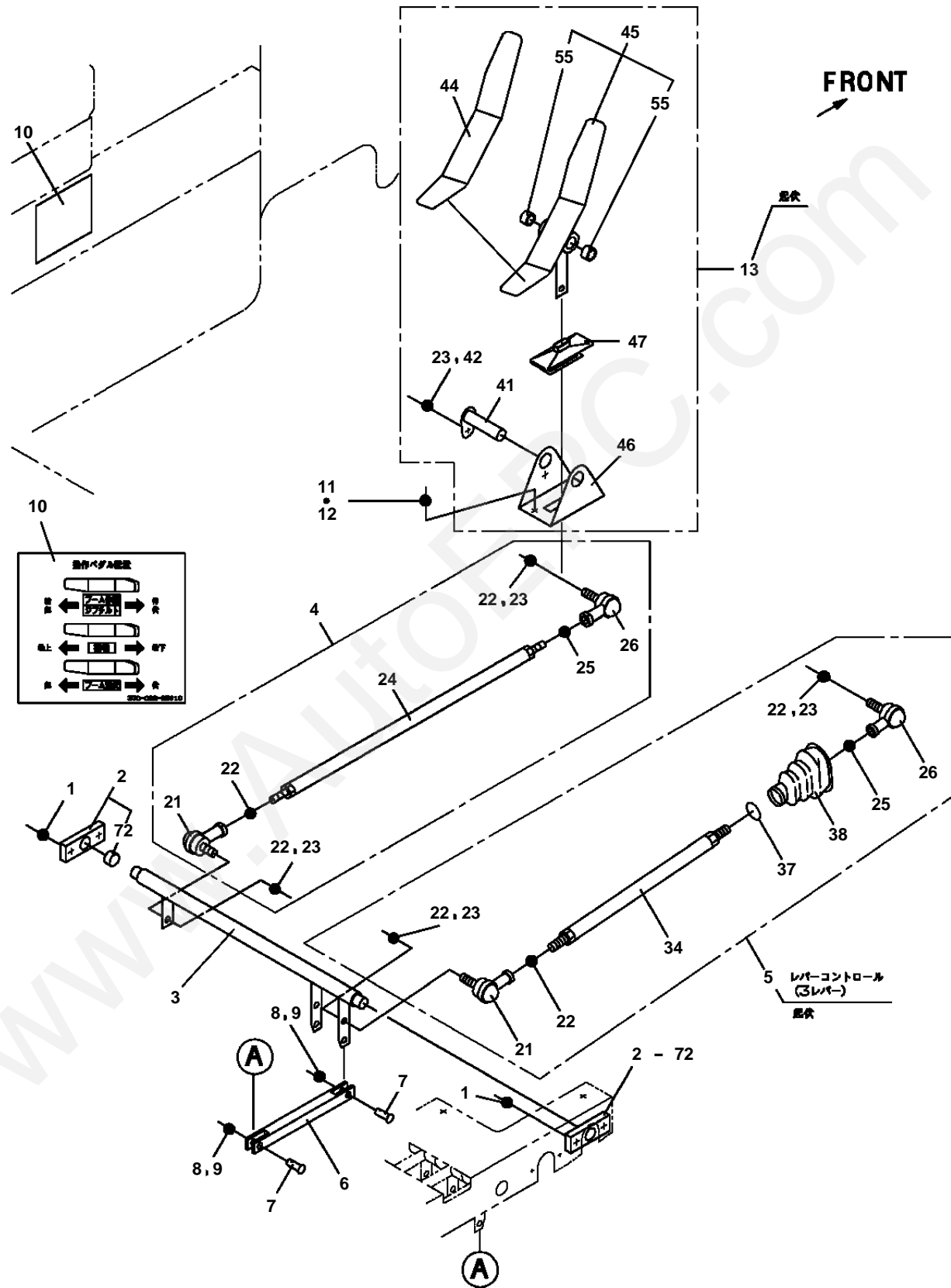
GR-120N-1-00111 12T,X,WINCH(W/O FREE-FALL),JIB(PT)

Pos No.	Parts No	Parts Name	Qty	Unit	Technical Data	Serial No (Start)	Serial No (End)	Remarks	Pages
1	80430620400	JOINT	12				FD0627		
	80430620400	JOINT	2			FD0628	FD1007		
	36672530000	FILTER (WITH O-RING)	2			FD1008			
2	80441030904	FITTING,ELBOW (WITH O-RING)	2		L,G1/4-12.7				
3	34321961000	LEVER ASSY	1						
4	99172108016	BOLT,TAPPING	10		M8X16				
5	90201200800	NUT	18		M8				
6	90101208030	BOLT	1		M8X30				
7	90302040801	WASHER,SPRING	26		8				
8	34321960900	PLATE	2						
9	99172106016	BOLT,TAPPING	12		M6X16				
10	34321962000	ROD ASSY	1						
11	34321960800	ROD ASSY	1						
12	34321614500	ROD ASSY	1						
13	34321972100	ROD ASSY	1						
14	34322030400	LEVER	1						
15	34321963000	LEVER ASSY	1						
16	34321961400	ROD ASSY	1						
17	34321961500	ROD ASSY	2						
18	91002801100	O-RING	12		1B P11		FD0627		
	91002801100	O-RING	10		1B P11		FD2839		
	91002801100	O-RING	7		1B P11				
	91002801100	O-RING	13		1B P11	FD0628			
	91002801100	O-RING	10		1B P11	FD2840			
19	90180208020	BOLT,BUTTON	4		M8X20				
20	37000925320	JOINT (FILTER,WITH O-RING)	10		T,3-G1/4		FD2839		
	37000932660	JOINT (WITH O-RING)	10		T G1/4-G1/4-G1/4	FD2840			
21	90211201400	NUT	5		M14				
22	34321960200	END	5						FD0433
23	37000105730	PIN	15						FD0433
24	80136320016	PIN,SPLIT	15		2X16				
25	90303070801	WASHER,PLAIN	3		8				
	90303070801	WASHER,PLAIN	12		8			FD0442	
	90303070801	WASHER,PLAIN	36		8	FD0443			
26	34321296800	ROD	6				FD0442		
	37000582110	PLATE	12			FD0443			
27	(*****)	LEVER ASSY (3-LEVER)	1						000173
28	99172108020	BOLT,TAPPING	8		M8X20				
29	37000927050	JOINT	5				FD0627		
30	36636280000	VALVE,CONTROL (3 LEVER)	1				FD0433		000168
	36637750000	VALVE,CONTROL	1			FD0434			000169
31	80400160127	JOINT	10			FD0628			
32	34350002100	CAP	2						
33	34321960300	COVER	1						
34	(*****)	LEVER ASSY (2-LEVER)	1						000174
35	34321966000	PEDAL ASSY	2						
36	36636270000	VALVE,CONTROL (2 LEVER)	1				FD0433		000167
	36638060000	VALVE,CONTROL	1			FD0434			000170
37	34321960400	COVER	1						
38	91810130240	FASTENER	1						
39	82100000920	GROMMET	2						
40	90101208040	BOLT	1		M8X40				
41	82100002006	CLAMP	1		WR10				
42	90201200600	NUT	2		M6				
43	90302040601	WASHER,SPRING	2		6				
44	82100002002	CLAMP	1		WR6				

GR-120N-1-00111 12T,X,WINCH(W/O FREE-FALL),JIB(PT)

Pos No.	Parts No	Parts Name	Qty	Unit	Technical Data	Serial No (Start)	Serial No (End)	Remarks	Pages
45	34321960600	COVER	1				FD0167		
	34321960601	COVER	1			FD0168			
46	80186406016	SCREW,MACHINE	8		M6X16				
47	90305260601	WASHER	8		B1-6				
48	34321966500	SUPPORT	1						
49	34321960700	COVER	1				FD0167		
	34321960701	COVER	1			FD0168			
50	34321966600	SUPPORT	1						
51	34321370050	CUSHION	1						
52	99191208020	BOLT,TAPPING (M8X20)	9						
54	89640101000	HOSE	2		880-NFK,1M				
56	80400160126	FITTING,TEE	1		20364-U1/2				
57	90303070601	WASHER,PLAIN	4		6				
58	90280200800	NUT,FLANGE	2		M8				
59	82100002009	CLAMP	1		WRC12				
61	90186206020	BOLT,FLANGE	4		M6X20				
71	37002223890	PLATE,NAME (PEDAL)	1						
81	34321961100	SUPPORT	1						
82	37000118050	PIN	1						
84	34321961200	LEVER	5						
85	37000588120	PLATE	1			FD1467			
91	80567000005	END	2						
92	90291200800	NUT	7		M8				
93	37001501540	BOLT	3						
95	34321962100	ROD	2						
99	82400000333	RING	6						
100	34321966700	BOOT	6						
131	80565000081	END	4						
134	34321614600	ROD	1						
136	80565000082	END	4						
144	80567000004	END	1						
146	34321972200	ROD	1						
149	34330051540	END	1						
161	34321963100	SUPPORT	1						
162	37000180380	PIN	1						
174	34321296210	ROD	1						
184	34321296110	ROD	2						
191	37000132540	PIN	2		20				
192	90101208012	BOLT	2		M8X12				
194	34321966100	COVER	2						
195	34321966200	PEDAL	2						
196	34321966300	SUPPORT	2						
197	34321966400	BOOT	2						
204	80801002010	BEARING,PLAIN	14						
222	80801001508	BEARING,PLAIN	2						
303	(*****)	LEVER ASSY (ELE.,TELE.REPLACE KNOB/TDN)	1						000175

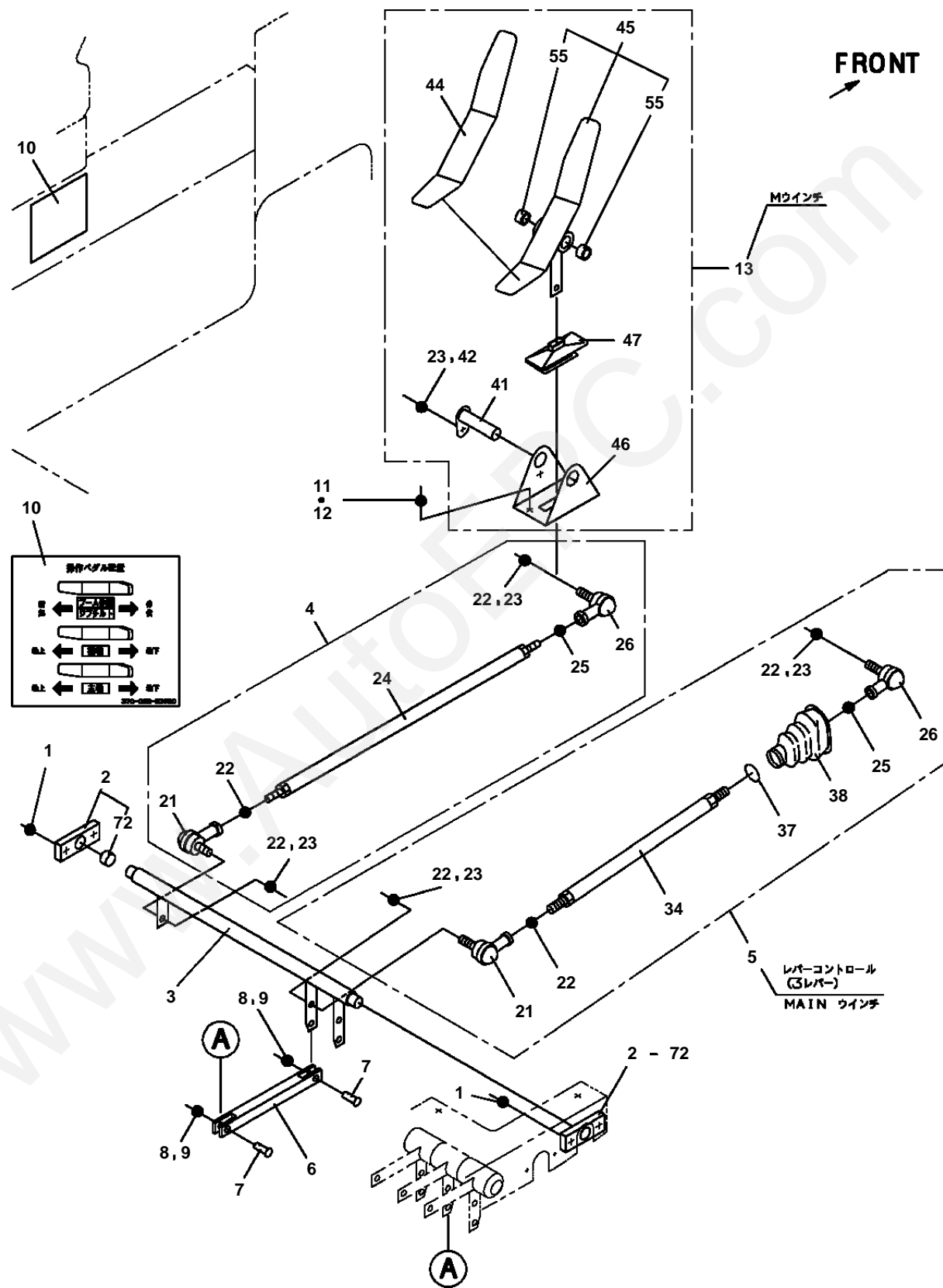
GR-120N-1-00111 12T,X,WINCH(W/O FREE-FALL),JIB(P.T)
 PL1010893-02 OPE.ASSY,CONT.VALVE



GR-120N-1-00111 12T,X,WINCH(W/O FREE-FALL),JIB(PT)

Pos No.	Parts No	Parts Name	Qty	Unit	Technical Data	Serial No (Start)	Serial No (End)	Remarks	Pages
1	99172106016	BOLT,TAPPING	4		M6X16				
2	34321960900	PLATE	2						
3	34322100100	LEVER	1						
4	34322100200	ROD ASSY	1						
5	34322100500	ROD ASSY	1						
6	34322100400	ROD	1						
7	37000105730	PIN	2						
8	80136320016	PIN,SPLIT	2		2X16				
9	90303070801	WASHER,PLAIN	2		8				
10	37002223910	PLATE,NAME	1						
11	90180208020	BOLT,BUTTON	2		M8X20				
12	90302040801	WASHER,SPRING	2		8				
13	34321966000	PEDAL ASSY	1						
21	80565000081	END	2						
22	90201200800	NUT	6		M8				
23	90302040801	WASHER,SPRING	5		8				
24	34322100300	ROD	1						
25	90291200800	NUT	2		M8				
26	80565000082	END	2						
34	34322100600	ROD	1						
37	82400000333	RING	1						
38	34321966700	BOOT	1						
41	37000132540	PIN	1		20				
42	90101208012	BOLT	1		M8X12				
44	34321966100	COVER	1						
45	34321966200	PEDAL	1						
46	34321966300	SUPPORT	1						
47	34321966400	BOOT	1						
55	80801002010	BEARING,PLAIN	2						
72	80801001508	BEARING,PLAIN	2						

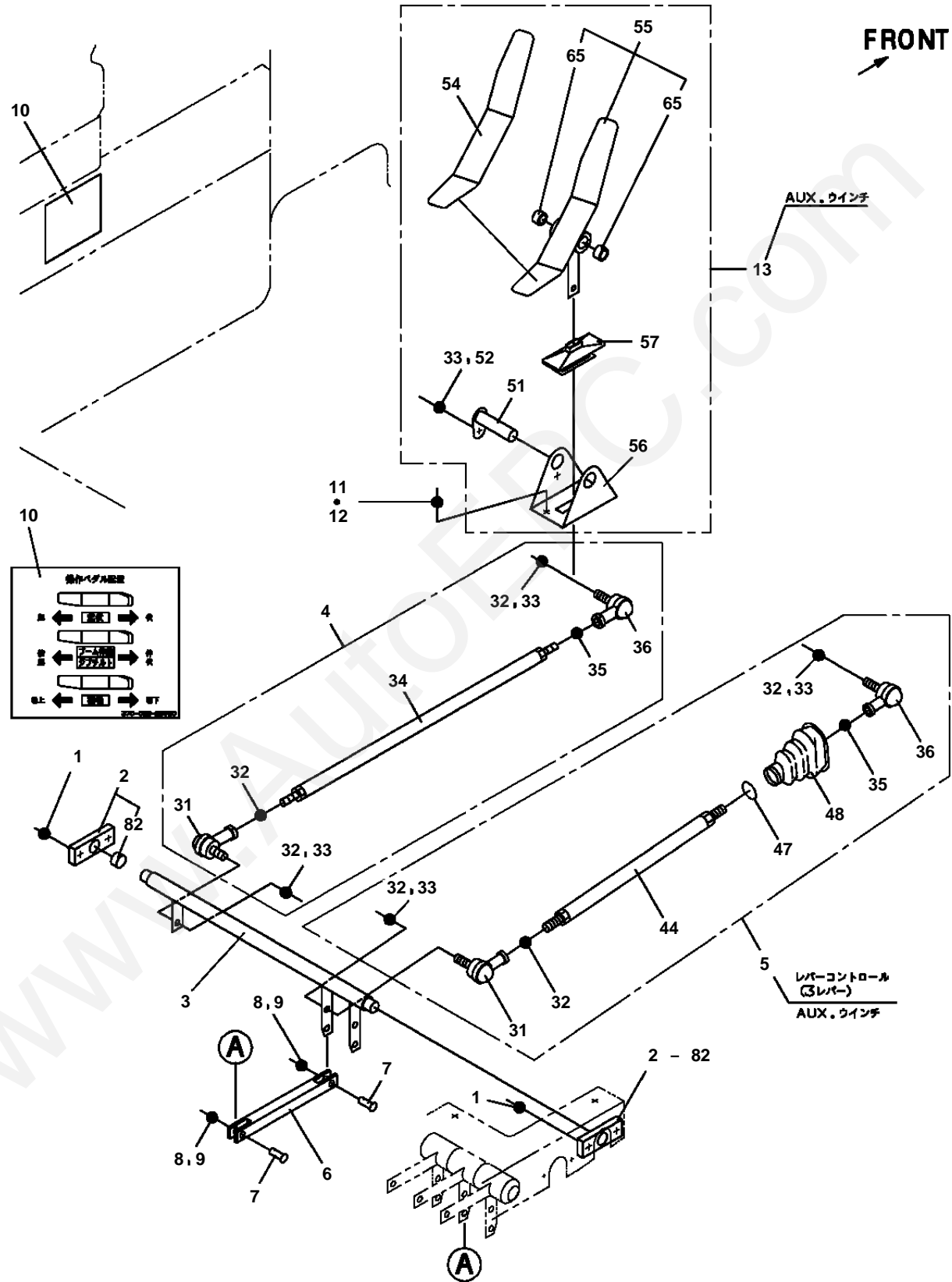
GR-120N-1-00111 12T,X,WINCH(W/O FREE-FALL),JIB(P.T)
 PL1010894-02 OPE.ASSY,CONT.VALVE



GR-120N-1-00111 12T,X,WINCH(W/O FREE-FALL),JIB(PT)

Pos No.	Parts No	Parts Name	Qty	Unit	Technical Data	Serial No (Start)	Serial No (End)	Remarks	Pages
1	99172106016	BOLT,TAPPING	4		M6X16				
2	34321960900	PLATE	2						
3	34322100100	LEVER	1						
4	34322100200	ROD ASSY	1						
5	34322100500	ROD ASSY	1						
6	34322100400	ROD	1						
7	37000105730	PIN	2						
8	80136320016	PIN,SPLIT	2		2X16				
9	90303070801	WASHER,PLAIN	2		8				
10	37002223920	PLATE,NAME	1						
11	90180208020	BOLT,BUTTON	2		M8X20				
12	90302040801	WASHER,SPRING	2		8				
13	34321966000	PEDAL ASSY	1						
21	80565000081	END	2						
22	90201200800	NUT	6		M8				
23	90302040801	WASHER,SPRING	5		8				
24	34322100300	ROD	1						
25	90291200800	NUT	2		M8				
26	80565000082	END	2						
34	34322100600	ROD	1						
37	82400000333	RING	1						
38	34321966700	BOOT	1						
41	37000132540	PIN	1		20				
42	90101208012	BOLT	1		M8X12				
44	34321966100	COVER	1						
45	34321966200	PEDAL	1						
46	34321966300	SUPPORT	1						
47	34321966400	BOOT	1						
55	80801002010	BEARING,PLAIN	2						
72	80801001508	BEARING,PLAIN	2						

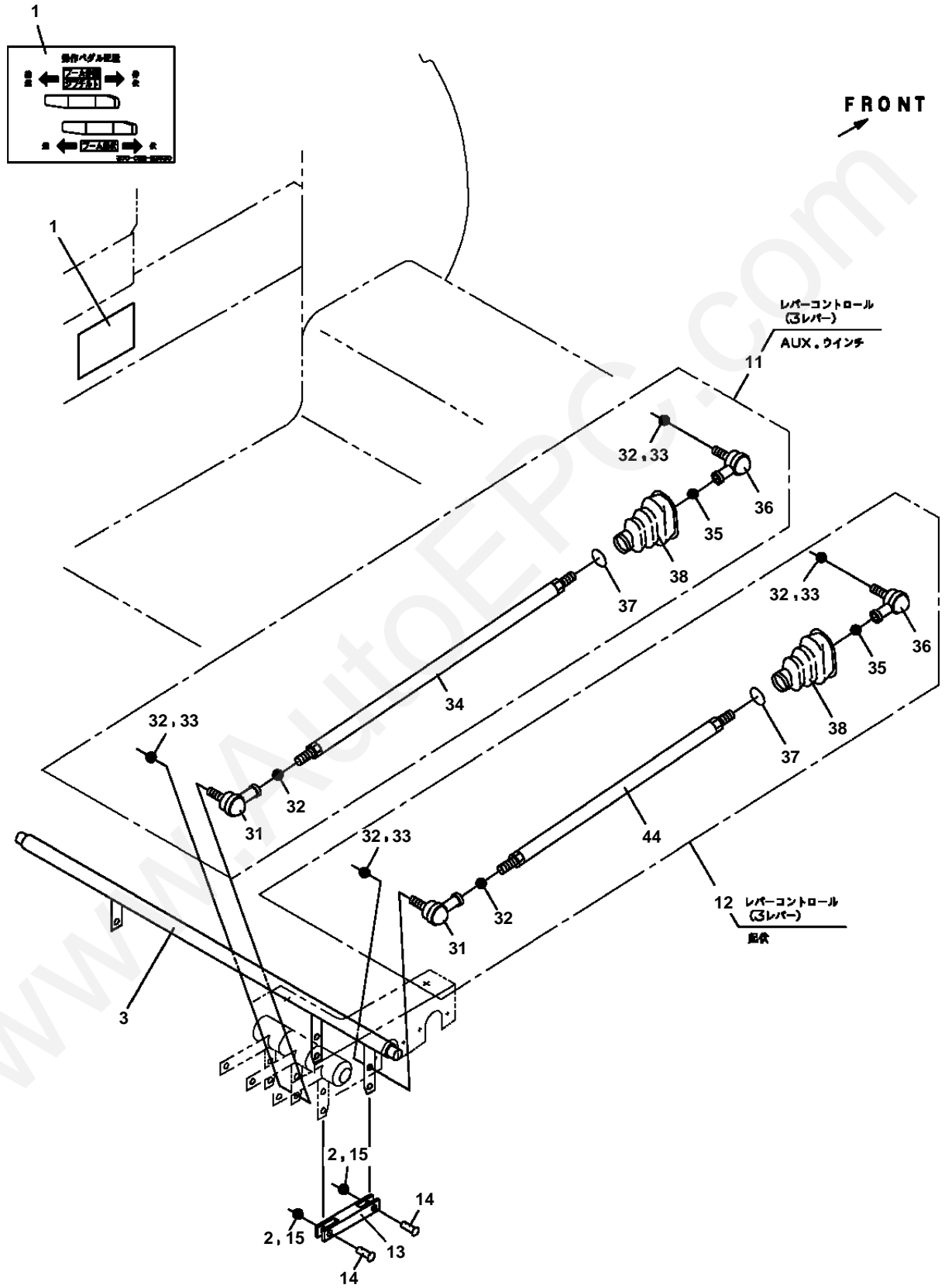
GR-120N-1-00111 12T,X,WINCH(W/O FREE-FALL),JIB(P.T)
 PL1010898-02 OPE.ASSY,CONT.VALVE



GR-120N-1-00111 12T,X,WINCH(W/O FREE-FALL),JIB(PT)

Pos No.	Parts No	Parts Name	Qty	Unit	Technical Data	Serial No (Start)	Serial No (End)	Remarks	Pages
1	99172106016	BOLT,TAPPING	4		M6X16				
2	34321960900	PLATE	2						
3	34322100100	LEVER	1						
4	34322100200	ROD ASSY	1						
5	34322100500	ROD ASSY	1						
6	34322100400	ROD	1						
7	37000105730	PIN	2						
8	80136320016	PIN,SPLIT	2		2X16				
9	90303070801	WASHER,PLAIN	2		8				
10	37002224060	PLATE,NAME	1						
11	90180208020	BOLT,BUTTON	2		M8X20				
12	90302040801	WASHER,SPRING	2		8				
13	34321966000	PEDAL ASSY	1						
31	80565000081	END	2						
32	90201200800	NUT	6		M8				
33	90302040801	WASHER,SPRING	5		8				
34	34322100300	ROD	1						
35	90291200800	NUT	2		M8				
36	80565000082	END	2						
44	34322100600	ROD	1						
47	82400000333	RING	1						
48	34321966700	BOOT	1						
51	37000132540	PIN	1		20				
52	90101208012	BOLT	1		M8X12				
54	34321966100	COVER	1						
55	34321966200	PEDAL	1						
56	34321966300	SUPPORT	1						
57	34321966400	BOOT	1						
65	80801002010	BEARING,PLAIN	2						
82	80801001508	BEARING,PLAIN	2						

GR-120N-1-00111 12T,X,WINCH(W/O FREE-FALL),JIB(P.T)
 PL1010901-01 OPE.ASSY,CONT.VALVE

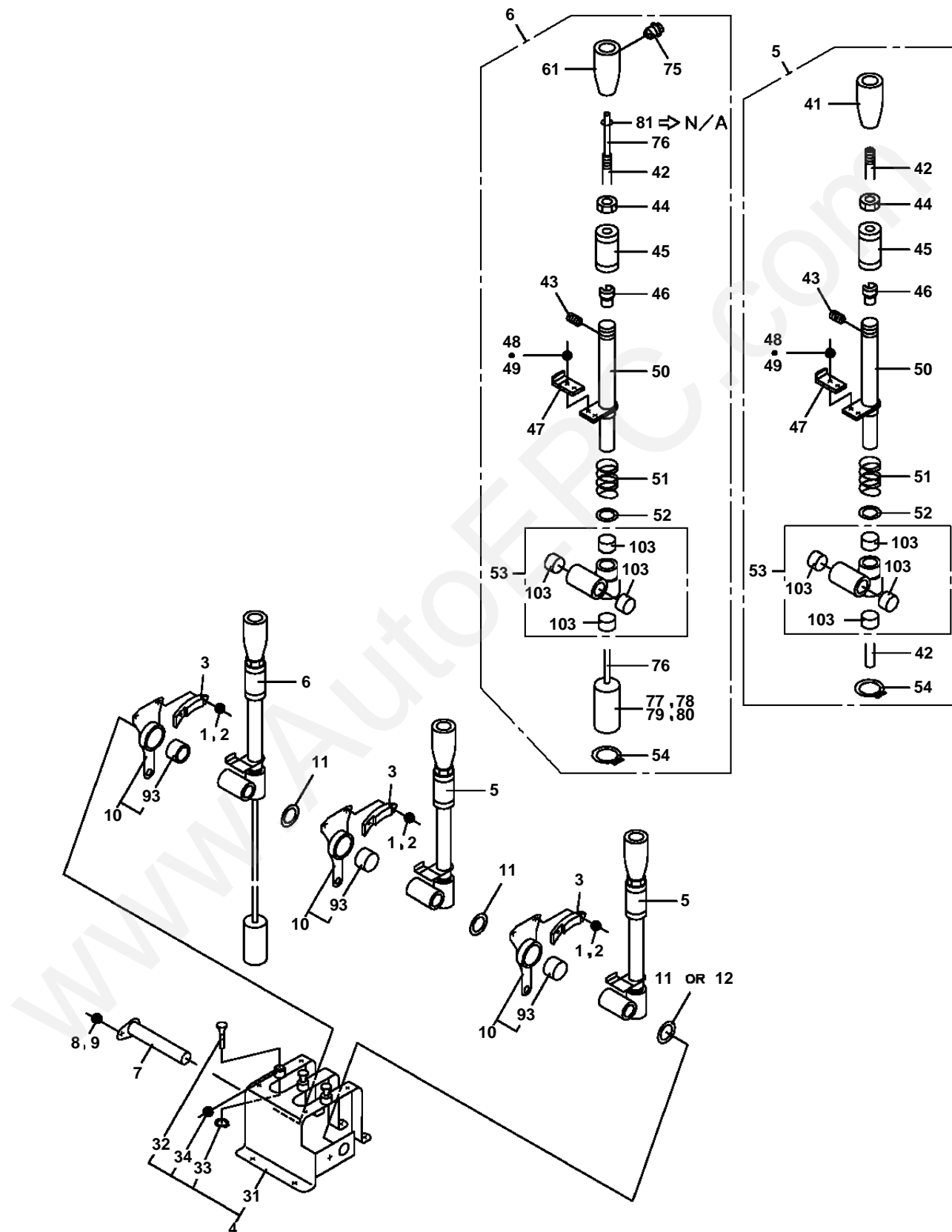


GR-120N-1-00111 12T,X,WINCH(W/O FREE-FALL),JIB(PT)

Pos No.	Parts No	Parts Name	Qty	Unit	Technical Data	Serial No (Start)	Serial No (End)	Remarks	Pages
1	37002223930	PLATE,NAME	1						
2	80136320016	PIN,SPLIT	2		2X16				
3	34321962200	LEVER	1						
11	34321961500	ROD ASSY	1						
12	34321961400	ROD ASSY	1						
13	34321296800	ROD	1						
14	37000105730	PIN	1						
15	90303070801	WASHER,PLAIN	1		8				
31	80565000081	END	2						
32	90201200800	NUT	6		M8				
33	90302040801	WASHER,SPRING	4		8				
34	34321296110	ROD	1						
35	90291200800	NUT	2		M8				
36	80565000082	END	2						
37	82400000333	RING	2						
38	34321966700	BOOT	2						
44	34321296210	ROD	1						

www.AutoEPC.com

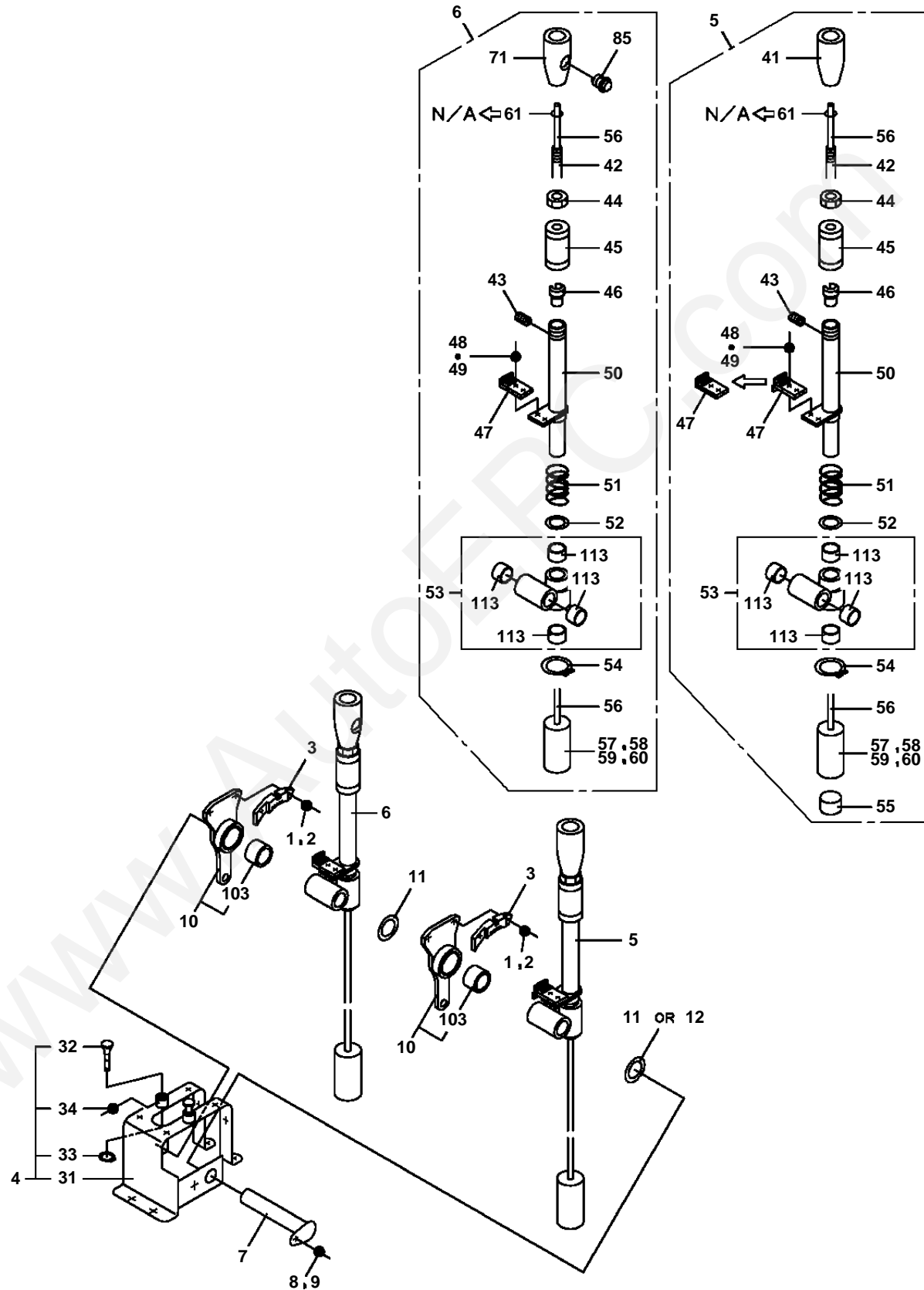
GR-120N-1-00111 12T,X,WINCH(W/O FREE-FALL),JIB(P.T)
PL1020057-02 LEVER,CONTROL (3 LEVER)



GR-120N-1-00111 12T,X,WINCH(W/O FREE-FALL),JIB(PT)

Pos No.	Parts No	Parts Name	Qty	Unit	Technical Data	Serial No (Start)	Serial No (End)	Remarks	Pages
1	90172105014	BOLT,HEXAGON SOCKET	6		M5X14				
2	90302040501	WASHER,SPRING	6		5				
3	34321291700	GEAR	3						
4	34321964100	SUPPORT ASSY	1						
5	34321291100	LEVER ASSY	2						
6	34321292200	LEVER ASSY	1						
7	37000104640	PIN	1						
8	90101208012	BOLT	1		M8X12				
9	90302040801	WASHER,SPRING	1		8				
10	34321291540	LEVER (WELDED STRUCTURE)	3			FD1441			
	34321291550	LEVER (FORGING)	3			FD1441			
11	37000515590	PLATE	3		T=0.5				
12	37000515600	PLATE	1		T=1.0				
31	34321964200	SUPPORT	1						
32	34321292700	STOPPER	3						
33	80613110040	RING,RETAINING	3						
34	82430505010	SPRING (PLUNGER)	3						
41	34320904300	KNOB	2						
42	34321291110	ROD	3						
43	90710006060	SCREW,SET	3		M6X6				
44	37001601520	NUT	3		M12				
45	32320110250	NUT (BLACK)	3						
46	33320001450	SLEEVE	3						
47	34321291121	GEAR	3						
48	90172106012	BOLT,HEXAGON SOCKET	6		M6X12				
49	90302040601	WASHER,SPRING	6		6				
50	34321291200	ROD	3						
51	37001201110	SPRING	3						
52	37000515600	PLATE	3		T=1.0				
53	34321291300	BOSS	3						
54	80601110200	RING,RITAINING	3		S20				
61	34320904500	KNOB (BLACK)	1				FD1907		
	34320904501	KNOB (BLACK)	1			FD1908			
75	82100001033	SWITCH,PUSH	1				FD1907		
	82101700412	SWITCH,PUSH	1			FD1908			
76	82100001425	CABLE	1	M					
77	82114101020	CONNECTOR (2P,MALE)	1						
78	82111101010	TERMINAL	2						
79	82121102020	HOLDER	1						
80	82121101085	PLUG (AVS0.85)	2						
93	80801003020	BEARING,PLAIN	3						
	80801003020	BEARING,PLAIN	3			FD1441			
103	80801002015	BEARING,PLAIN	12						

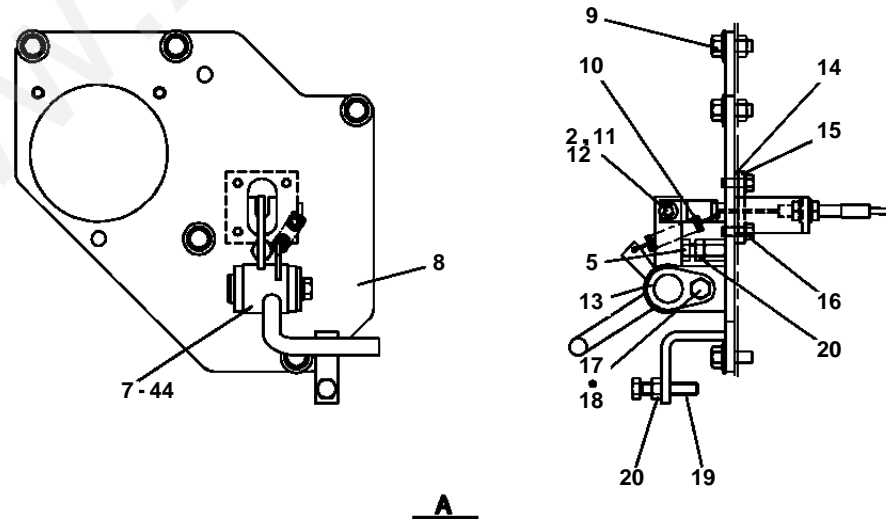
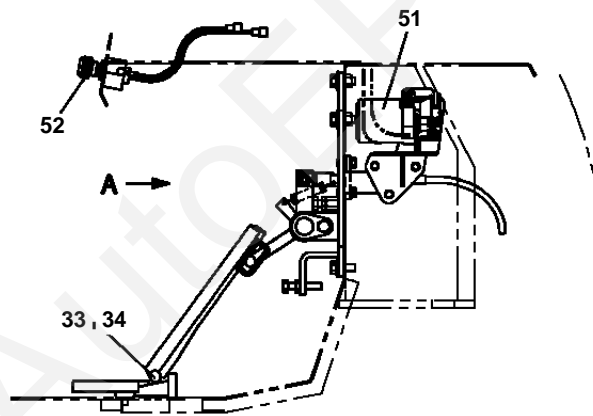
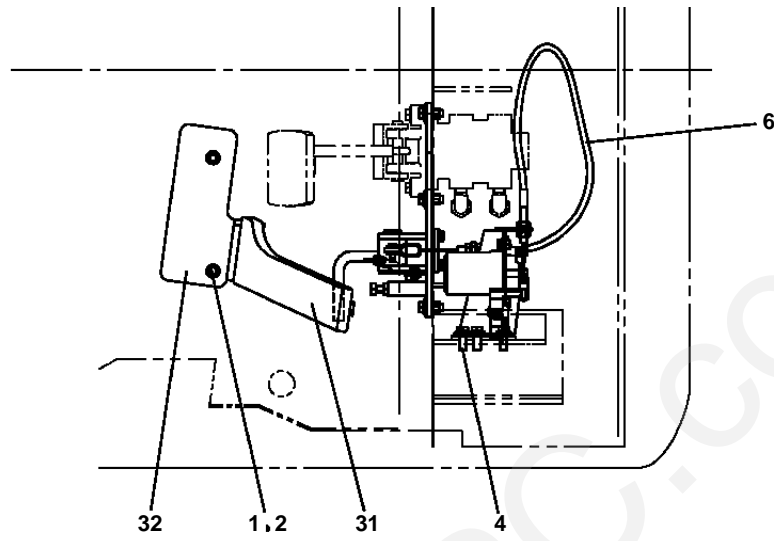
GR-120N-1-00111 12T,X,WINCH(W/O FREE-FALL),JIB(P
PL1020058-04 LEVER,CONTROL (2 LEVER)



GR-120N-1-00111 12T,X,WINCH(W/O FREE-FALL),JIB(PT)

Pos No.	Parts No	Parts Name	Qty	Unit	Technical Data	Serial No (Start)	Serial No (End)	Remarks	Pages
1	90172105014	BOLT,HEXAGON SOCKET	4		M5X14				
2	90302040501	WASHER,SPRING	4		5				
3	34321291700	GEAR	2						
4	34321965100	SUPPORT ASSY	1						
5	34321291800	LEVER ASSY	1						
6	34321292100	LEVER ASSY	1						
7	37000118050	PIN	1						
8	90101208012	BOLT	1		M8X12				
9	90302040801	WASHER,SPRING	1		8				
10	34321291540	LEVER (WELDED STRUCTURE)	2			FD1441			
	34321291550	LEVER (FORGING)	2			FD1441			
11	37000515590	PLATE	2		T=0.5				
12	37000515600	PLATE	1		T=1.0				
31	34321965200	SUPPORT	1						
32	34321292700	STOPPER	2						
33	80613110040	RING,RETAINING	2						
34	82430505010	SPRING (PLUNGER)	2						
41	34320904300	KNOB	1						
42	34321291110	ROD	2						
43	90710006060	SCREW,SET	2		M6X6				
44	37001601520	NUT	2		M12				
45	32320110250	NUT (BLACK)	2						
46	33320001450	SLEEVE	2						
47	34321291121	GEAR	2						
48	90172106012	BOLT,HEXAGON SOCKET	4		M6X12				
49	90302040601	WASHER,SPRING	4		6				
50	34321291200	ROD	2						
51	37001201110	SPRING	2						
52	37000515600	PLATE	2		T=1.0				
53	34321291300	BOSS	2						
54	80601110200	RING,RITAINING	2		S20				
55	42433330020	PLUG (2 POLES,FEMALE)	1			FD1879			
56	82100001425	CABLE	2	M					
57	82114101020	CONNECTOR (2P,MALE)	2						
58	82111101010	TERMINAL	4						
59	82121102020	HOLDER	2						
60	82121101085	PLUG (AVS0.85)	4						
71	34320904200	KNOB (RED)	1				FD1907		
	34320904201	KNOB (RED)	1			FD1908			
85	82100001033	SWITCH,PUSH	1				FD1907		
	82101700412	SWITCH,PUSH	1			FD1908			
103	80801003020	BEARING,PLAIN	2						
	80801003020	BEARING,PLAIN	2			FD1441			
113	80801002015	BEARING,PLAIN	8						

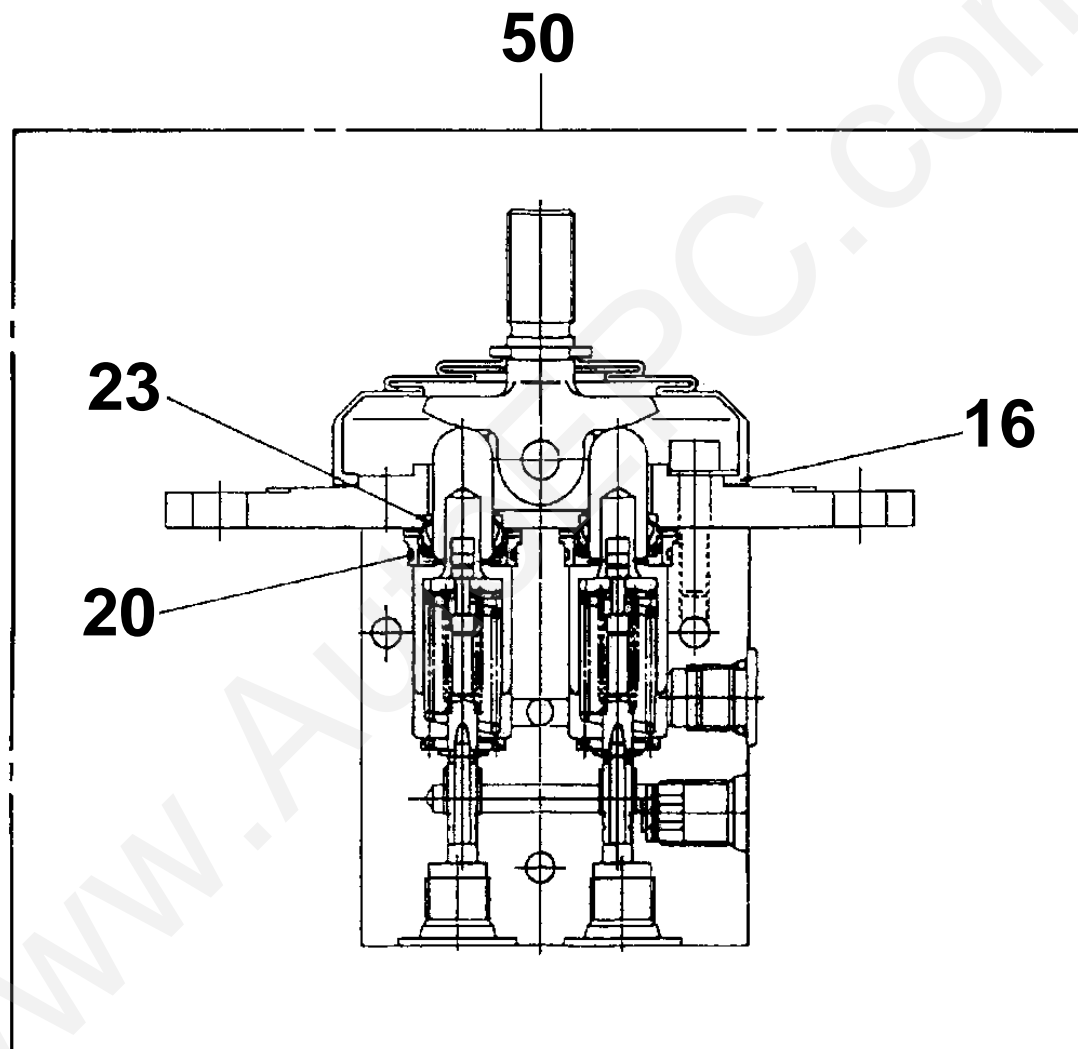
GR-120N-1-00111 12T,X,WINCH(W/O FREE-FALL),JIB(P
PL1030794-00 OPE.ASSY,ACCELERATOR



GR-120N-1-00111 12T,X,WINCH(W/O FREE-FALL),JIB(PT)

Pos No.	Parts No	Parts Name	Qty	Unit	Technical Data	Serial No (Start)	Serial No (End)	Remarks	Pages
1	90172106020	BOLT,HEXAGON SOCKET	2		M6X20				
2	90303070601	WASHER,PLAIN	3		6				
4	99171108020	BOLT,TAPPING	3		M8X20				
5	90101208020	BOLT	1		M8X20				
6	37001708380	CABLE,CONTROL	1				FD0402		
	37001708381	CABLE,CONTROL	1			FD0403			
7	34711150101	LEVER	1						
8	34711150201	SUPPORT	1						
9	99172108020	BOLT,TAPPING	5		M8X20				
10	37001300410	SPRING	1						
11	37000105720	PIN	1						
12	80136320010	PIN,SPLIT	1		2X10				
13	37000109800	PIN	1						
14	34711150300	PLATE	1						
15	34711150400	PLATE	1						
16	99171106016	BOLT,TAPPING (M6X16)	4						
17	90101208012	BOLT	1		M8X12				
18	90302040801	WASHER,SPRING	1		8				
19	90102208040	BOLT	1		M8X40				
20	90201200800	NUT	2		M8				
31	34711042100	PEDAL	1						
32	34711042200	SUPPORT	1						
33	34711042300	PIN	1						
34	80613110060	RING,RETAINING	1						
44	80801002030	BEARING,PLAIN	1						
51	36361112010	SENSOR (ACCELERATOR WITH S/W)	1						
52	36361112020	SWITCH (IDOLE VOLUME)	1						

GR-120N-1-00111 12T,X,WINCH(W/O FREE-FALL),JIB(P.T)
PL1250020-00 VALVE,CONTROL (2 LEVER)

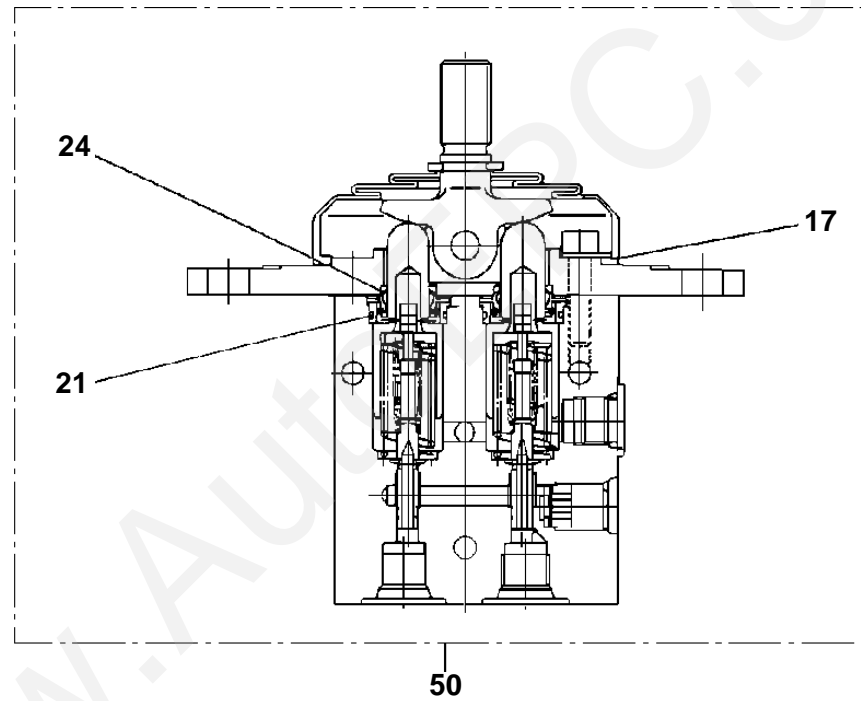


GR-120N-1-00111 12T,X,WINCH(W/O FREE-FALL),JIB(PT)

Pos No.	Parts No	Parts Name	Qty	Unit	Technical Data	Serial No (Start)	Serial No (End)	Remarks	Pages
16	36636275010	BOOT	2						
20	36636275020	O-RING	4						
23	36636275030	SEAL	4						
50	36636270000	VALVE,CONTROL (2 LEVER)	1						

www.AutoEPC.com

GR-120N-1-00111 12T,X,WINCH(W/O FREE-FALL),JIB(P
PL1250021-00 VALVE,CONTROL (3 LEVER)



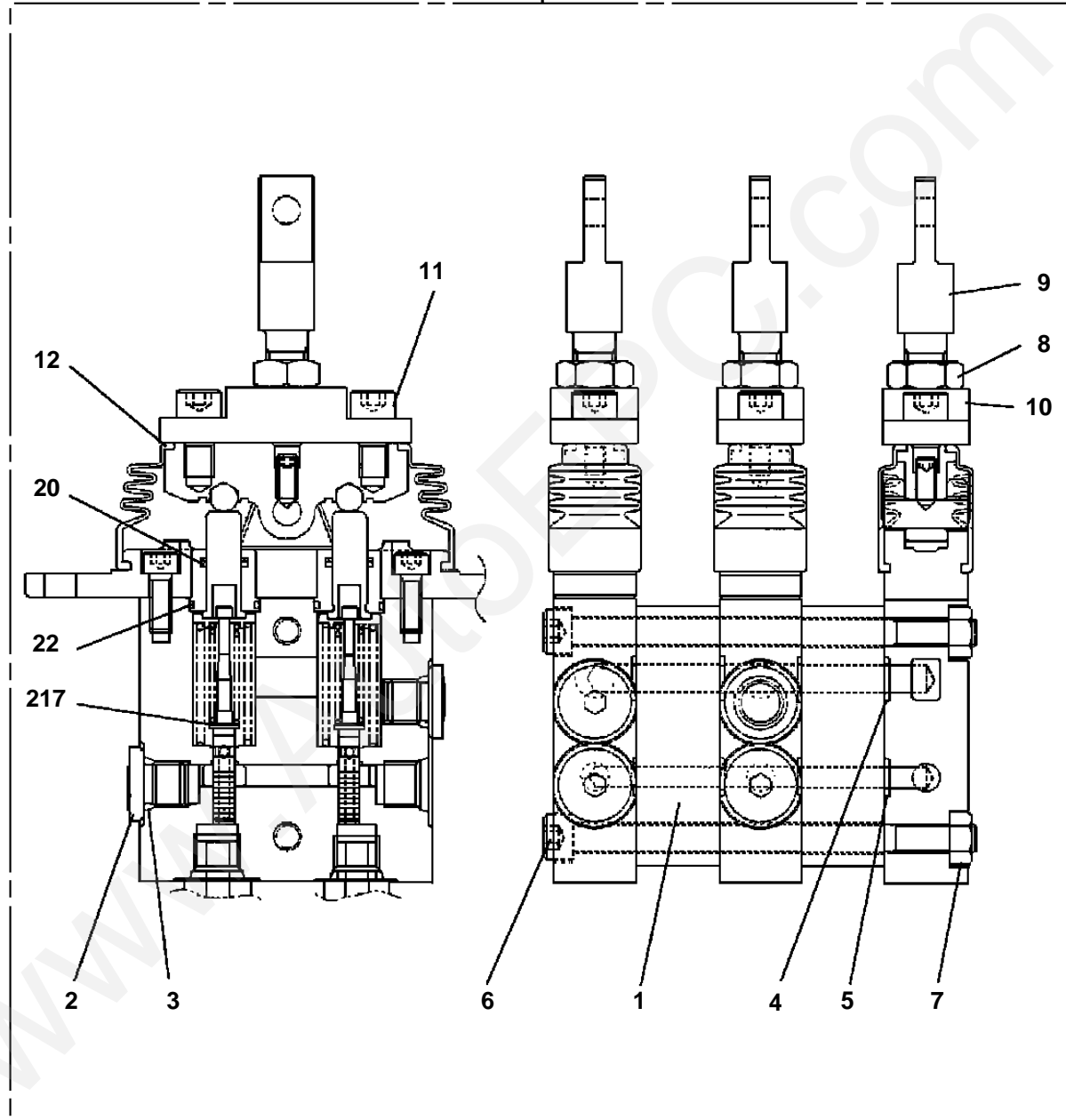
GR-120N-1-00111 12T,X,WINCH(W/O FREE-FALL),JIB(PT)

Pos No.	Parts No	Parts Name	Qty	Unit	Technical Data	Serial No (Start)	Serial No (End)	Remarks	Pages
17	36636275010	BOOT	3						
21	36636275020	O-RING	6						
24	36636275030	SEAL	6						
50	36636280000	VALVE,CONTROL (3 LEVER)	1						

www.AutoEPC.com

GR-120N-1-00111 12T,X,WINCH(W/O FREE-FALL),JIB(P
PL1250029-02 VALVE,CONTROL

50

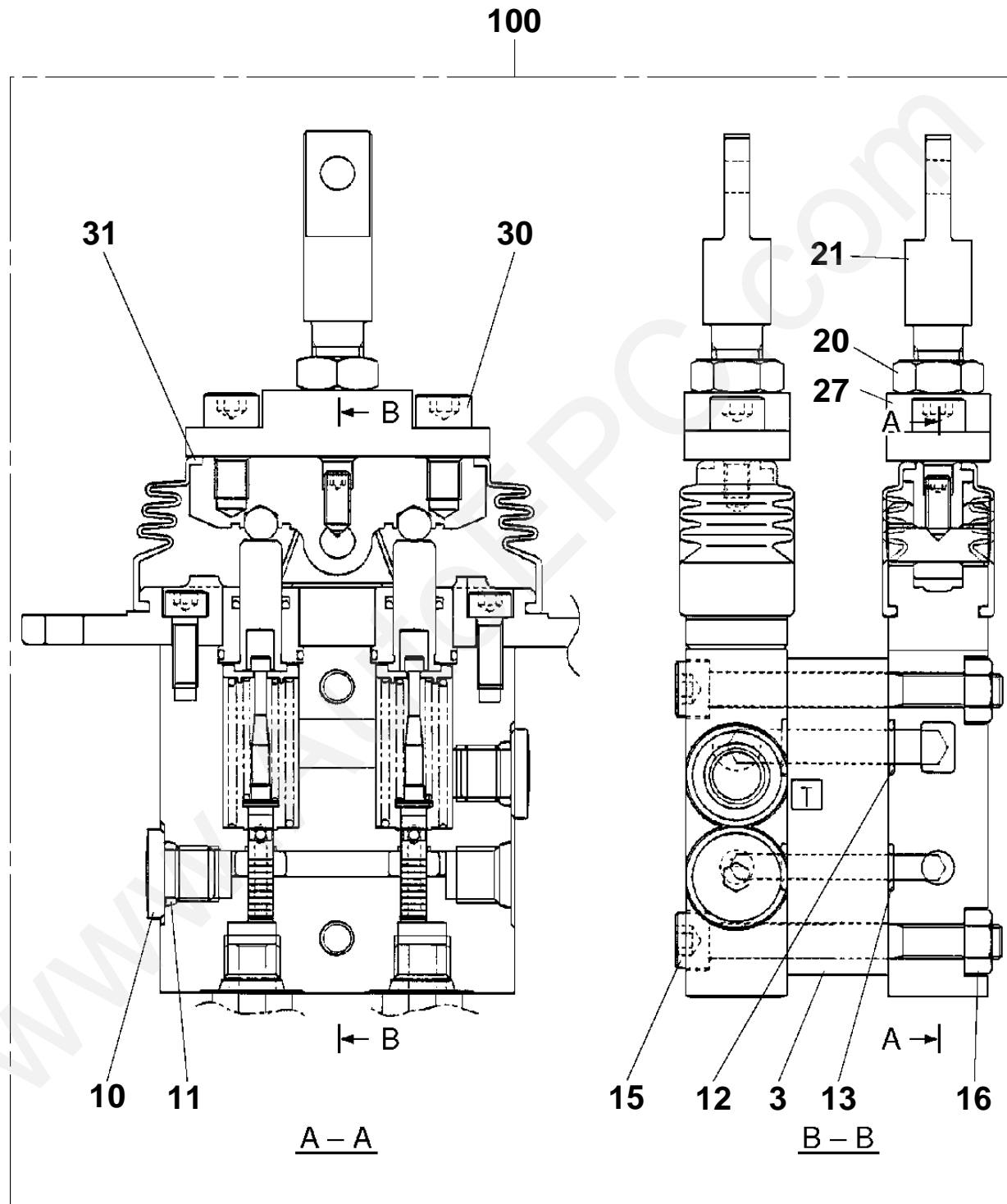


GR-120N-1-00111 12T,X,WINCH(W/O FREE-FALL),JIB(PT)

Pos No.	Parts No	Parts Name	Qty	Unit	Technical Data	Serial No (Start)	Serial No (End)	Remarks	Pages
1	36637755010	PLATE	2						
2	36646965020	PLUG	7						
3	91002801100	O-RING	7		1B P11				
4	91002801000	O-RING	4		1B P10				
5	91002800800	O-RING	4		1B P8				
6	36637755020	BOLT,HEXAGON SOCKET	2						
7	36653355030	NUT	2						
8	36637755080	NUT,LOCK	3						
9	36637755040	LEVER	3						
10	36637755050	BLOCK	3						
11	36637755090	BOLT,HEXAGON SOCKET	6						
12	36637755070	BELLOWS	3						
20	36633545030	SEAL	6						
22	91000501700	O-RING	6						
50	36637750000	VALVE,CONTROL	1						
217	36637755100	SHIM	6						

www.AutoEPC.com

GR-120N-1-00111 12T,X,WINCH(W/O FREE-FALL),JIB(P.T)
PL1250031-00 VALVE,CONTROL

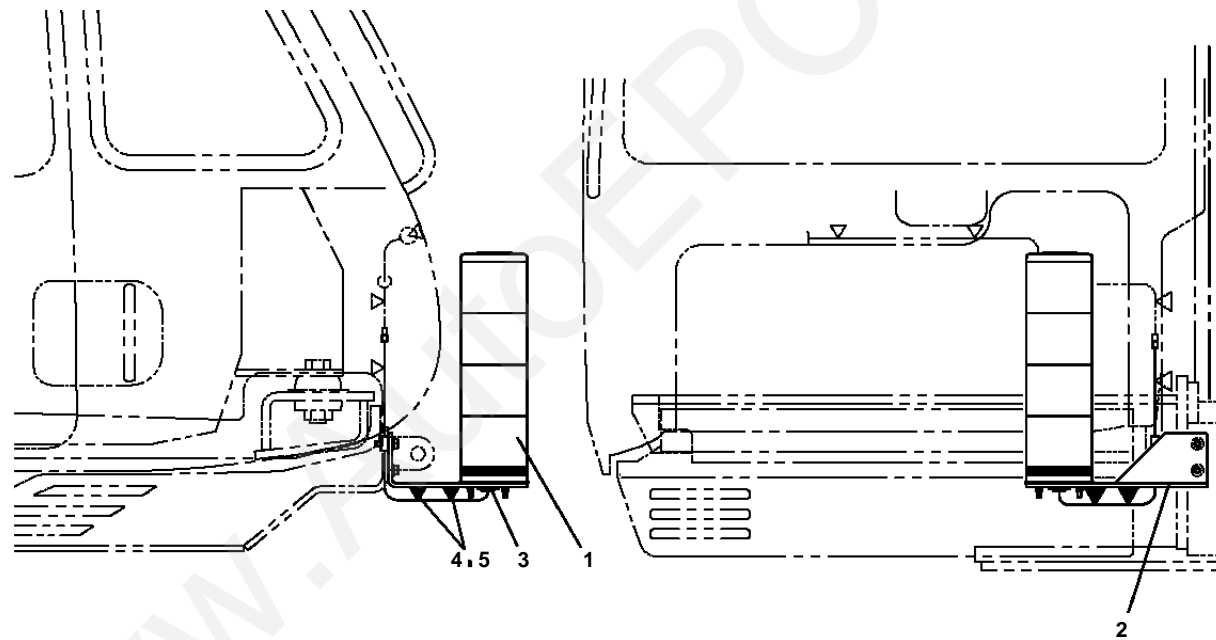


GR-120N-1-00111 12T,X,WINCH(W/O FREE-FALL),JIB(PT)

Pos No.	Parts No	Parts Name	Qty	Unit	Technical Data	Serial No (Start)	Serial No (End)	Remarks	Pages
3	36637755010	PLATE	1						
10	36646965020	PLUG	4						
11	91002801100	O-RING	4		1B P11				
12	91002801000	O-RING	2		1B P10				
13	91002800800	O-RING	2		1B P8				
15	90131508070	BOLT,HEXAGON SOCKET	2		M8X70				
16	36638065010	NUT	2						
20	36637755080	NUT,LOCK	2						
21	36637755040	LEVER	2						
27	36637755050	BLOCK	2						
30	36637755090	BOLT,HEXAGON SOCKET	4						
31	36637755070	BELLOWS	2						
100	36638060000	VALVE,CONTROL	1						

www.AutoEPC.com

GR-120N-1-00111 12T,X,WINCH(W/O FREE-FALL),JIB(P
PL5030001-03 LAMP ASSY,AML

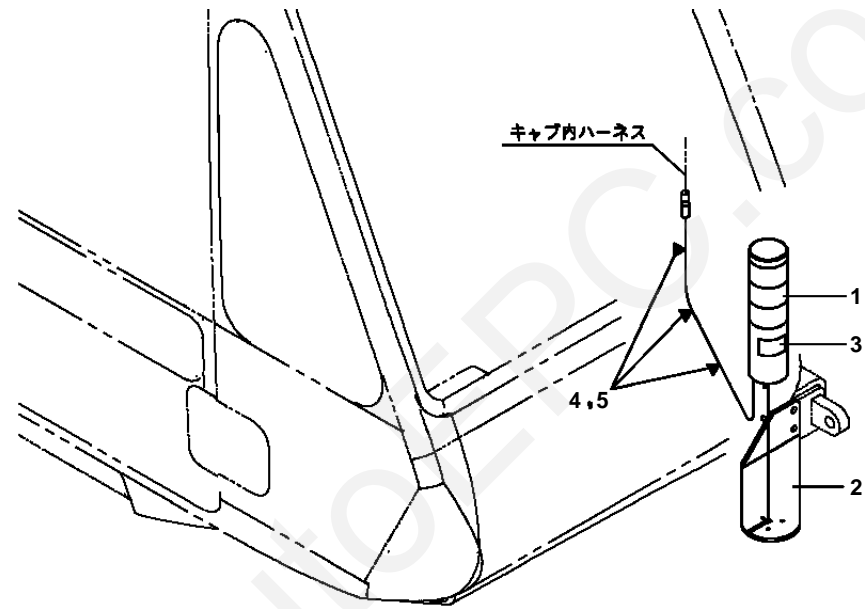


GR-120N-1-00111 12T,X,WINCH(W/O FREE-FALL),JIB(PT)

Pos No.	Parts No	Parts Name	Qty	Unit	Technical Data	Serial No (Start)	Serial No (End)	Remarks	Pages
1	34490091000	LAMP	1						000188
2	34477870101	SUPPORT	1						
3	82400000216	GROMMET	1		C30NG79-H				
4	82100002004	CLAMP	3		WR8				
5	90280200600	NUT,FLANGE	3		M6				

www.AutoEPC.com

GR-120N-1-00111 12T,X,WINCH(W/O FREE-FALL),JIB(P.T)
PL5030006-00 LAMP ASSY,AML (LED)



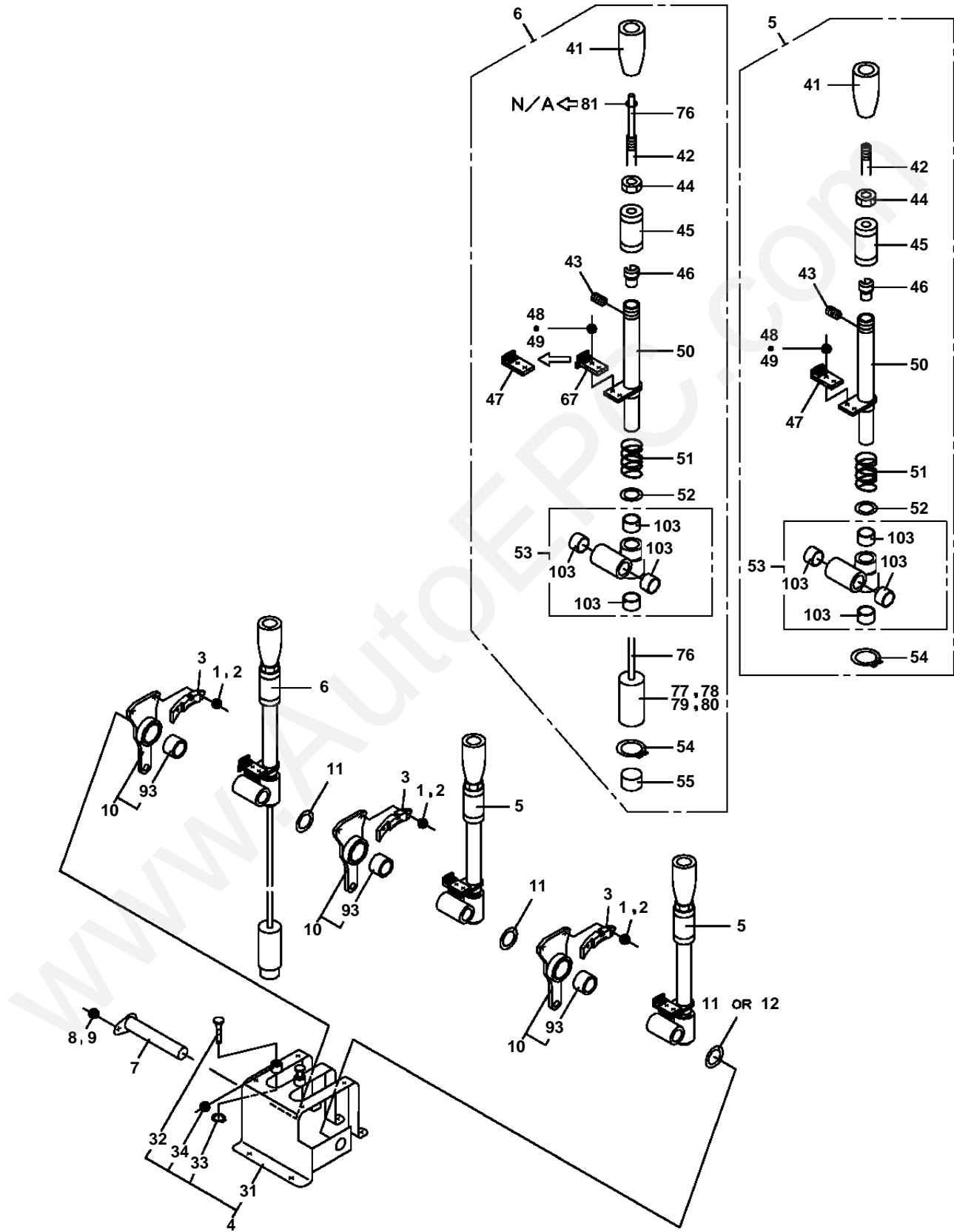
3
高压洗浄禁止
High pressure washing
prohibited

GR-120N-1-00111 12T,X,WINCH(W/O FREE-FALL),JIB(PT)

Pos No.	Parts No	Parts Name	Qty	Unit	Technical Data	Serial No (Start)	Serial No (End)	Remarks	Pages
1	34495170100	LAMP ASSY	1				FD2693		000363
	34495170101	LAMP ASSY	1			FD2694	FD2781		000364
	34495170102	LAMP ASSY	1			FD2782			000365
2	34495330100	SUPPORT	1						
3	34495172000	PLATE,NAME (HIGH PRESSURE)	1			FD2445			
4	82100002004	CLAMP	3		WR8		FD2321		
	82100002002	CLAMP	3		WR6	FD2322			
5	90280200600	NUT,FLANGE	3		M6				

www.AutoEPC.com

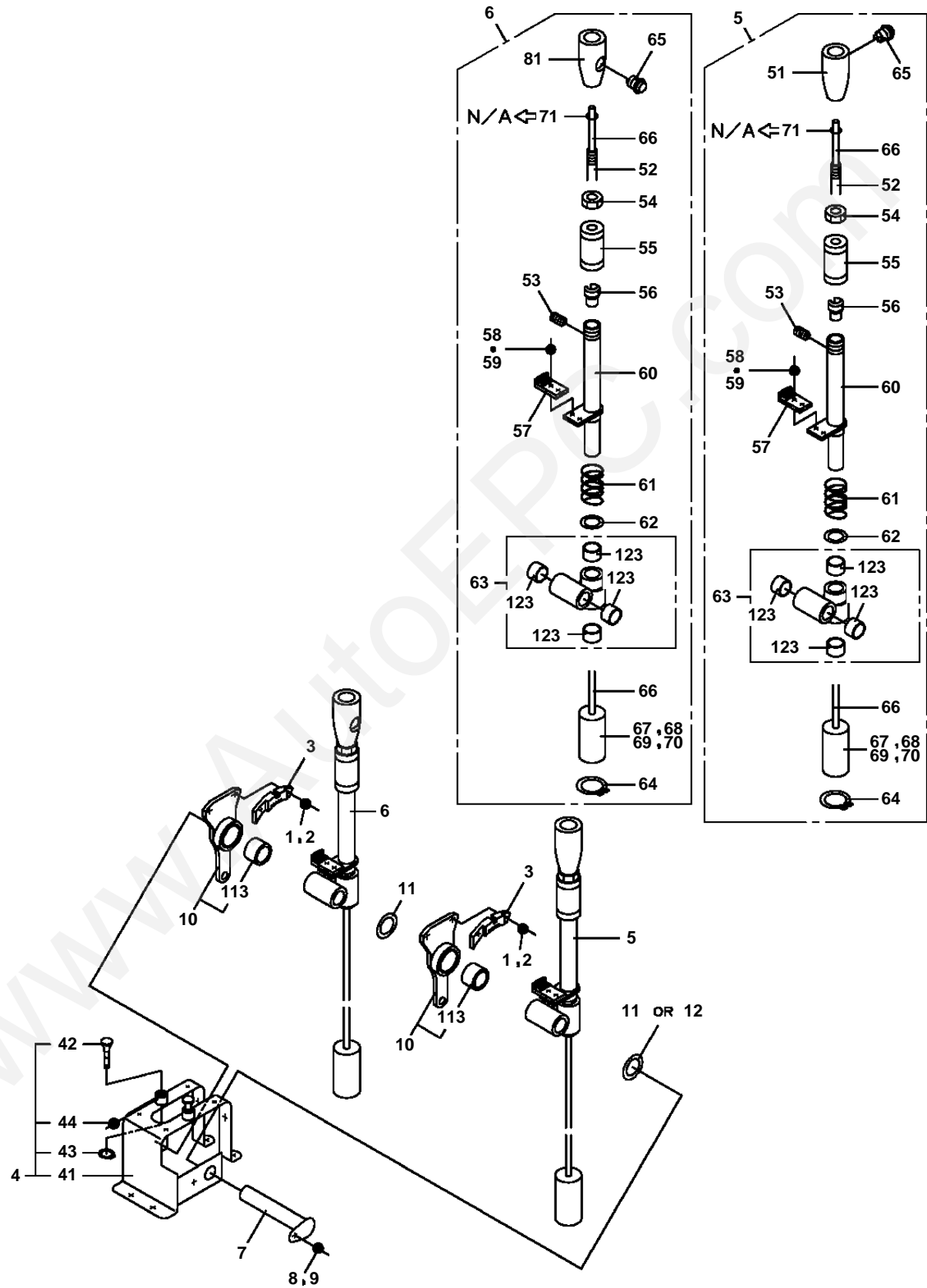
GR-120N-1-00111 12T,X,WINCH(W/O FREE-FALL),JIB(P
 PL5190001-01 LEVER ASSY (3-LEVER)



GR-120N-1-00111 12T,X,WINCH(W/O FREE-FALL),JIB(PT)

Pos No.	Parts No	Parts Name	Qty	Unit	Technical Data	Serial No (Start)	Serial No (End)	Remarks	Pages
1	90172105014	BOLT,HEXAGON SOCKET	6		M5X14				
2	90302040501	WASHER,SPRING	6		5				
3	34321291700	GEAR	3						
4	34321964100	SUPPORT ASSY	1						
5	34321291100	LEVER ASSY	2						
6	34321291800	LEVER ASSY	1						
7	37000104640	PIN	1						
8	90101208012	BOLT	1		M8X12				
9	90302040801	WASHER,SPRING	1		8				
10	34321291500	LEVER	3				FD1440		
	34321291550	LEVER (FORGING)	3			FD1441			
	34321291540	LEVER (WELDED STRUCTURE)	3			FD1441			
11	37000515590	PLATE	3		T=0.5				
12	37000515600	PLATE	1		T=1.0				
31	34321964200	SUPPORT	1						
32	34321292700	STOPPER	3						
33	80613110040	RING,RETAINING	3						
34	82430505010	SPRING (PLUNGER)	3						
41	34320904300	KNOB	3						
42	34321291110	ROD	3						
43	90710006060	SCREW,SET	3		M6X6				
44	37001601520	NUT	3		M12				
45	32320110250	NUT (BLACK)	3						
46	33320001450	SLEEVE	3						
47	34321291121	GEAR	3						
48	90172106012	BOLT,HEXAGON SOCKET	6		M6X12				
49	90302040601	WASHER,SPRING	6		6				
50	34321291200	ROD	3						
51	37001201110	SPRING	3						
52	37000515600	PLATE	3		T=1.0				
53	34321291300	BOSS	3						
54	80601110200	RING,RITAINING	3		S20				
55	42433330020	PLUG (2 POLES,FEMALE)	1			FD1879			
76	82100001425	CABLE	1	M					
77	82114101020	CONNECTOR (2P,MALE)	1						
78	82111101010	TERMINAL	2						
79	82121102020	HOLDER	1						
80	82121101085	PLUG (AVS0.85)	2						
93	80801003020	BEARING,PLAIN	3						
	80801003020	BEARING,PLAIN	3			FD1441			
103	80801002015	BEARING,PLAIN	12						

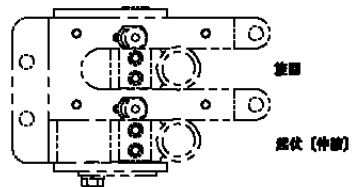
GR-120N-1-00111 12T,X,WINCH(W/O FREE-FALL),JIB(P
PL5190002-01 LEVER ASSY (2-LEVER)



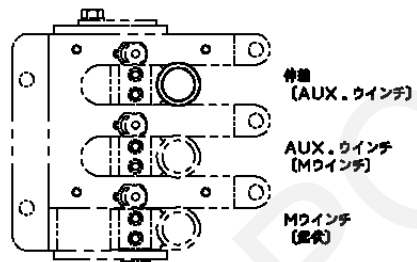
GR-120N-1-00111 12T,X,WINCH(W/O FREE-FALL),JIB(PT)

Pos No.	Parts No	Parts Name	Qty	Unit	Technical Data	Serial No (Start)	Serial No (End)	Remarks	Pages
1	90172105014	BOLT,HEXAGON SOCKET	4		M5X14				
2	90302040501	WASHER,SPRING	4		5				
3	34321291700	GEAR	2						
4	34321965100	SUPPORT ASSY	1						
5	34321292200	LEVER ASSY	1						
6	34321292100	LEVER ASSY	1						
7	37000118050	PIN	1						
8	90101208012	BOLT	1		M8X12				
9	90302040801	WASHER,SPRING	1		8				
10	34321291500	LEVER	2				FD1440		
	34321291540	LEVER (WELDED STRUCTURE)	2			FD1441			
	34321291550	LEVER (FORGING)	2			FD1441			
11	37000515590	PLATE	2		T=0.5				
12	37000515600	PLATE	1		T=1.0				
41	34321965200	SUPPORT	1						
42	34321292700	STOPPER	2						
43	80613110040	RING,RETAINING	2						
44	82430505010	SPRING (PLUNGER)	2						
51	34320904500	KNOB (BLACK)	1				FD1907		
	34320904501	KNOB (BLACK)	1			FD1908			
52	34321291110	ROD	2						
53	90710006060	SCREW,SET	2		M6X6				
54	37001601520	NUT	2		M12				
55	32320110250	NUT (BLACK)	2						
56	33320001450	SLEEVE	2						
57	34321291121	GEAR	2						
58	90172106012	BOLT,HEXAGON SOCKET	4		M6X12				
59	90302040601	WASHER,SPRING	4		6				
60	34321291200	ROD	2						
61	37001201110	SPRING	2						
62	37000515600	PLATE	2		T=1.0				
63	34321291300	BOSS	2						
64	80601110200	RING,RITAINING	2		S20				
65	82100001033	SWITCH,PUSH	2				FD1907		
	82101700412	SWITCH,PUSH	2			FD1908			
66	82100001425	CABLE	2	M					
67	82114101020	CONNECTOR (2P,MALE)	2						
68	82111101010	TERMINAL	4						
69	82121102020	HOLDER	2						
70	82121101085	PLUG (AVS0.85)	4						
81	34320904200	KNOB (RED)	1				FD1907		
	34320904201	KNOB (RED)	1			FD1908			
113	80801003020	BEARING,PLAIN	2						
	80801003020	BEARING,PLAIN	2			FD1441			
123	80801002015	BEARING,PLAIN	8						

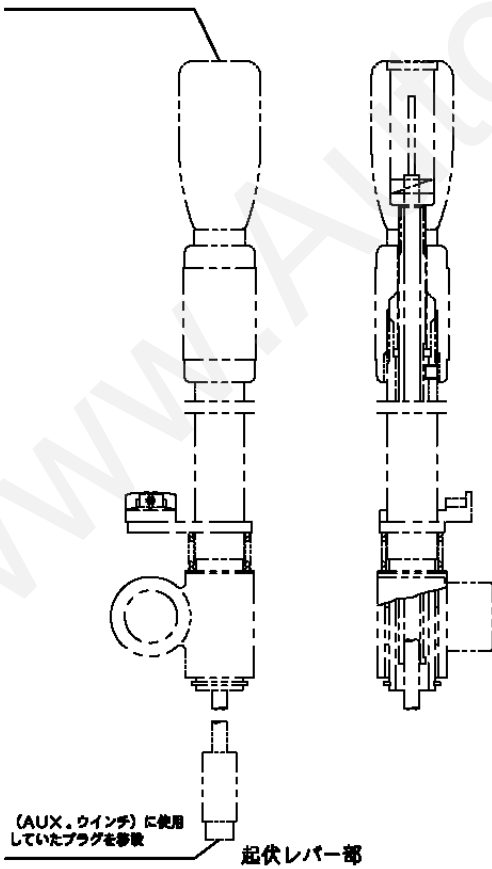
GR-120N-1-00111 12T,X,WINCH(W/O FREE-FALL),JIB(PT)
 PL5190003-00 LEVER ASSY (ELE.,TELE.REPLACE KNOB/TDN)



< [] はISO方式を示す >

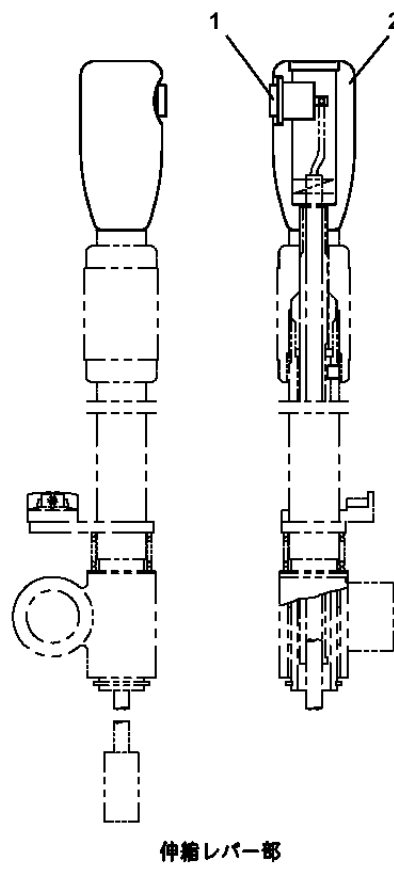


(AUX. ウインチ) に使用
 していたものを適用



(AUX. ウインチ) に使用
 していたプラグを移動

起伏レバー部



伸縮レバー部

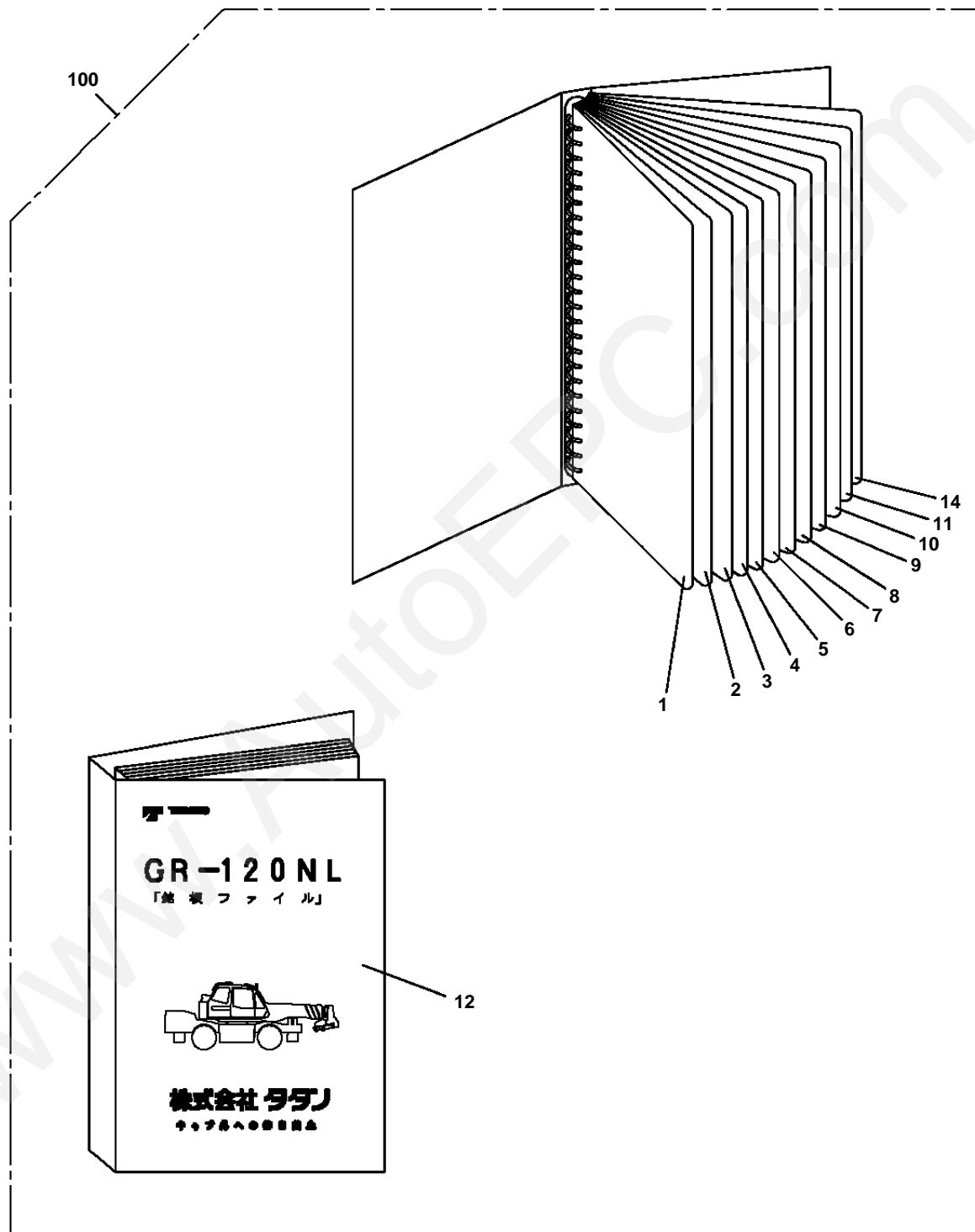
www.AERO-ENGINEERING.com

GR-120N-1-00111 12T,X,WINCH(W/O FREE-FALL),JIB(PT)

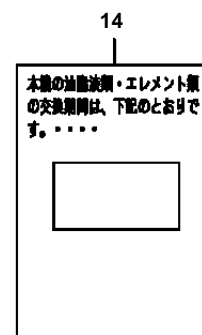
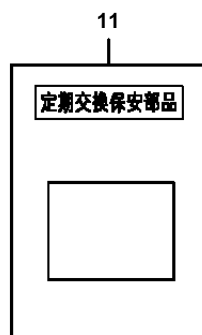
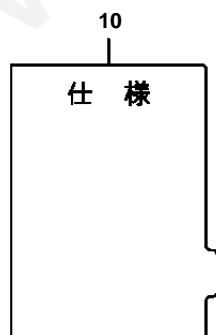
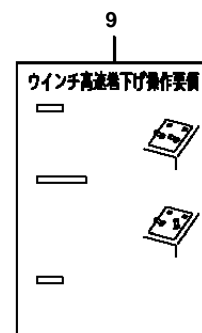
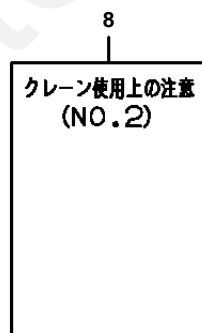
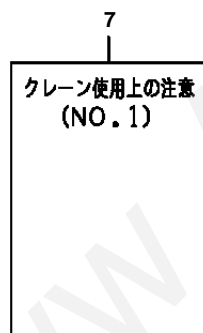
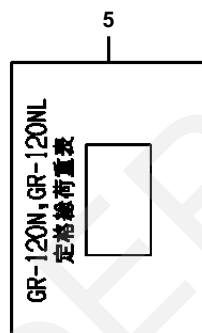
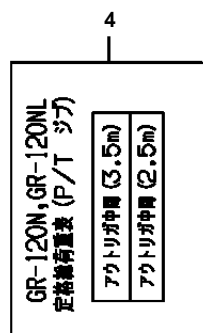
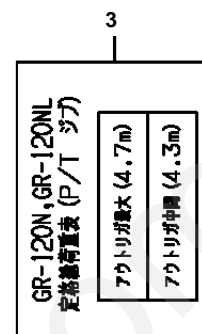
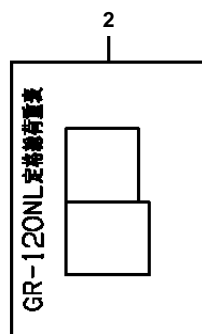
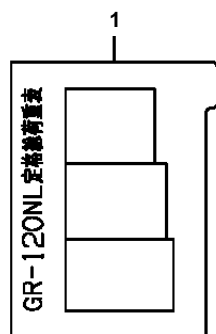
Pos No.	Parts No	Parts Name	Qty	Unit	Technical Data	Serial No (Start)	Serial No (End)	Remarks	Pages
1	82100001033	SWITCH,PUSH	1				FD1885		
	82101700412	SWITCH,PUSH	1			FD1886			
2	34320904500	KNOB (BLACK)	1				FD1885		
	34320904501	KNOB (BLACK)	1			FD1886			

www.AutoEPC.com

GR-120N-1-00111 12T,X,WINCH(W/O FREE-FALL),JIB(P)
PL5260032-00 LOAD CHART BOOKLET



GR-120N-1-00111 12T,X,WINCH(W/O FREE-FALL),JIB(PT)
PL5260032-00 LOAD CHART BOOKLET

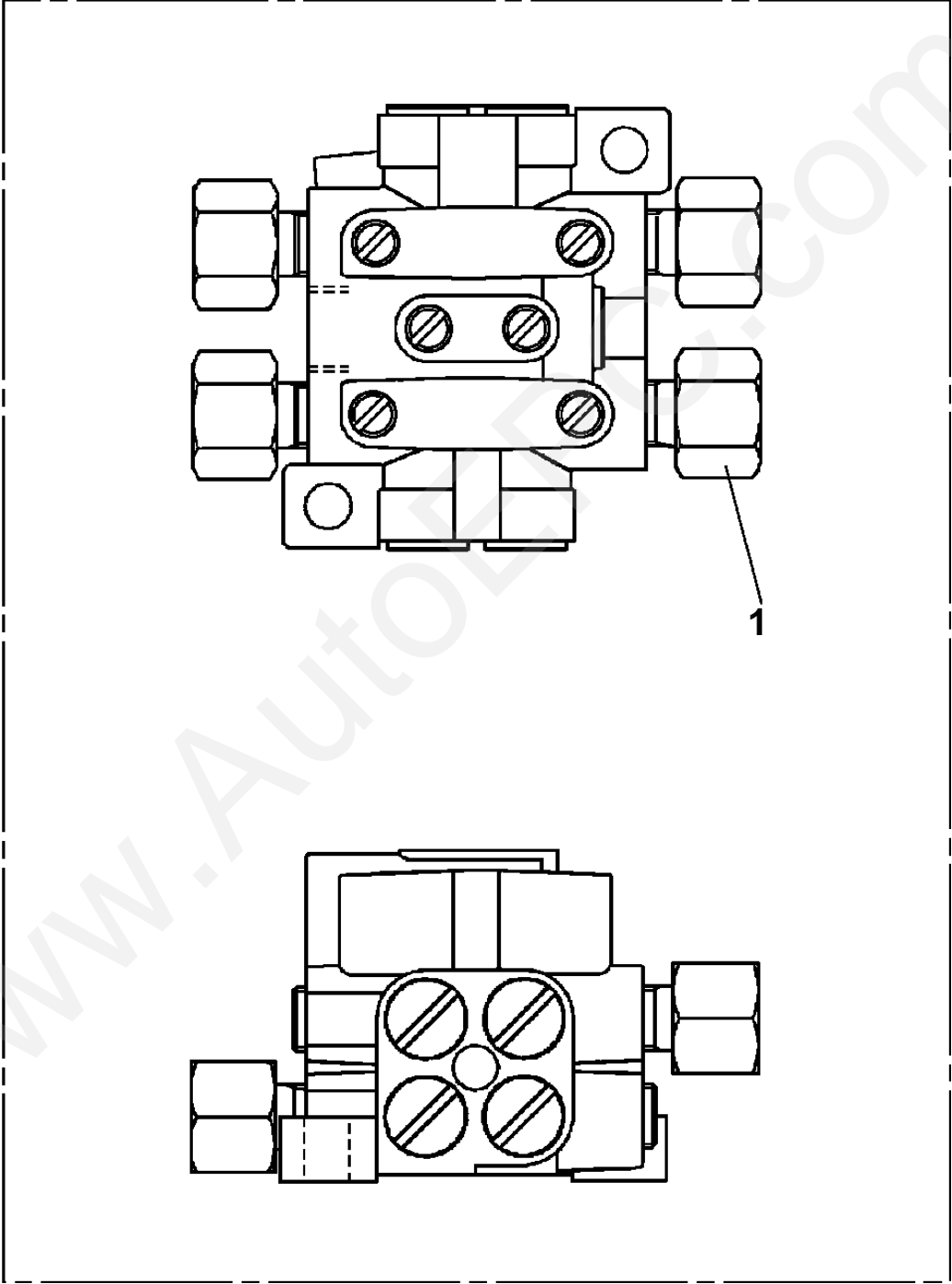


GR-120N-1-00111 12T,X,WINCH(W/O FREE-FALL),JIB(PT)

Pos No.	Parts No	Parts Name	Qty	Unit	Technical Data	Serial No (Start)	Serial No (End)	Remarks	Pages
1	34395243110	PLATE,NAME	1						
2	34395243120	PLATE,NAME	1						
3	34395473130	PLATE,NAME	1						
4	34395473140	PLATE,NAME	1						
5	34395243150	PLATE,NAME	1				FD0943		
	34395243151	PLATE,NAME	1			FD0944			
6	34395243160	PLATE,NAME	1						
7	34395243170	PLATE,CAUTION	1						
8	34395243180	PLATE,CAUTION	1						
9	34395243190	PLATE,CAUTION	1						
10	34395473200	PLATE,NAME	1				FD0943		
	34395473201	PLATE,NAME	1			FD0944			
11	34395243220	PLATE,NAME	1						
12	34395249510	CASE	1				FD0341		
	34395243211	CASE	1			FD0342			
14	34395243230	PLATE,NAME	1			FD0697			
100	34395473100	LOAD CHART BOOKLET	1						

GR-120N-1-00111 12T,X,WINCH(W/O FREE-FALL),JIB(P.T)
PM1020001-00 DISTRIBUTOR

50

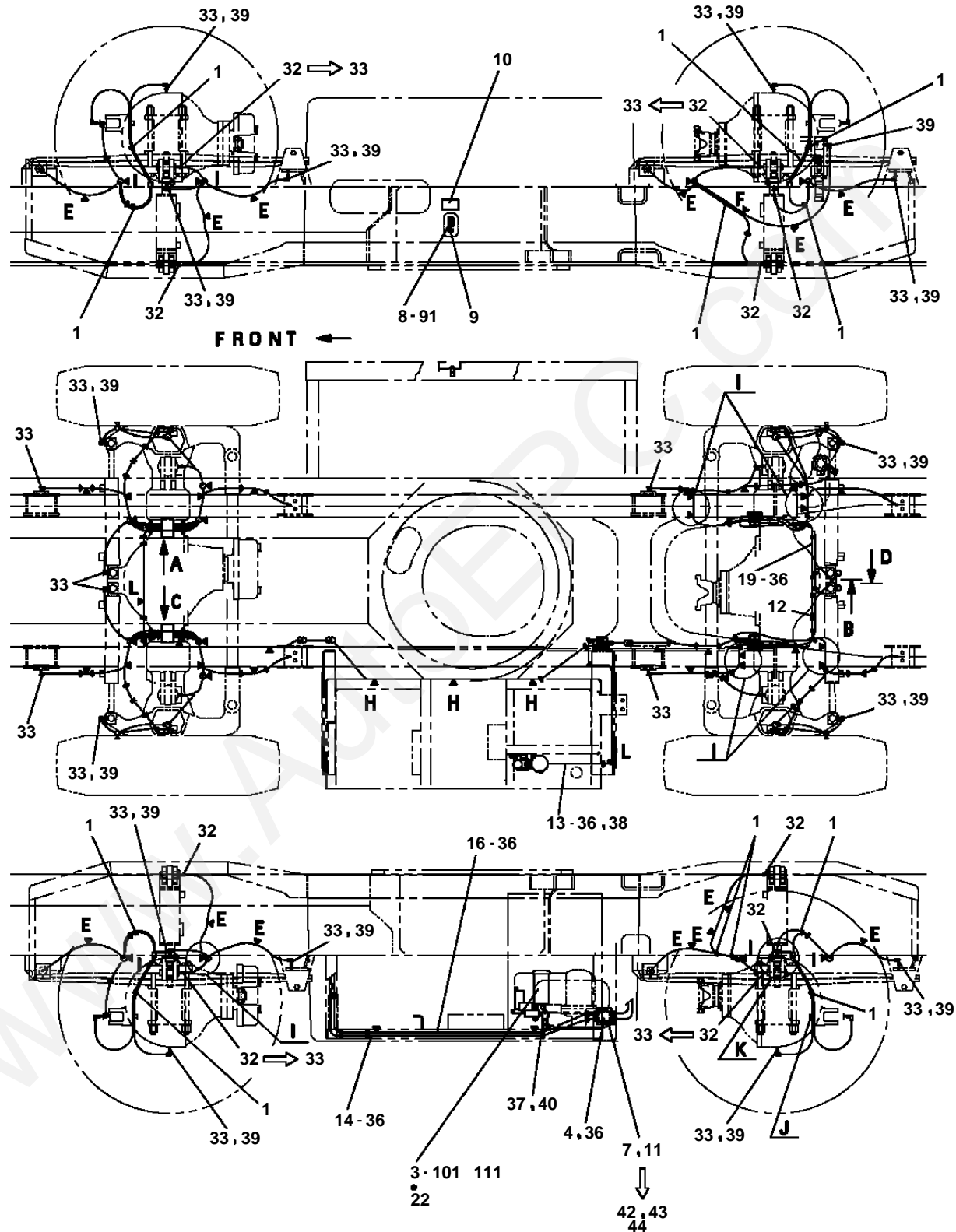


GR-120N-1-00111 12T,X,WINCH(W/O FREE-FALL),JIB(PT)

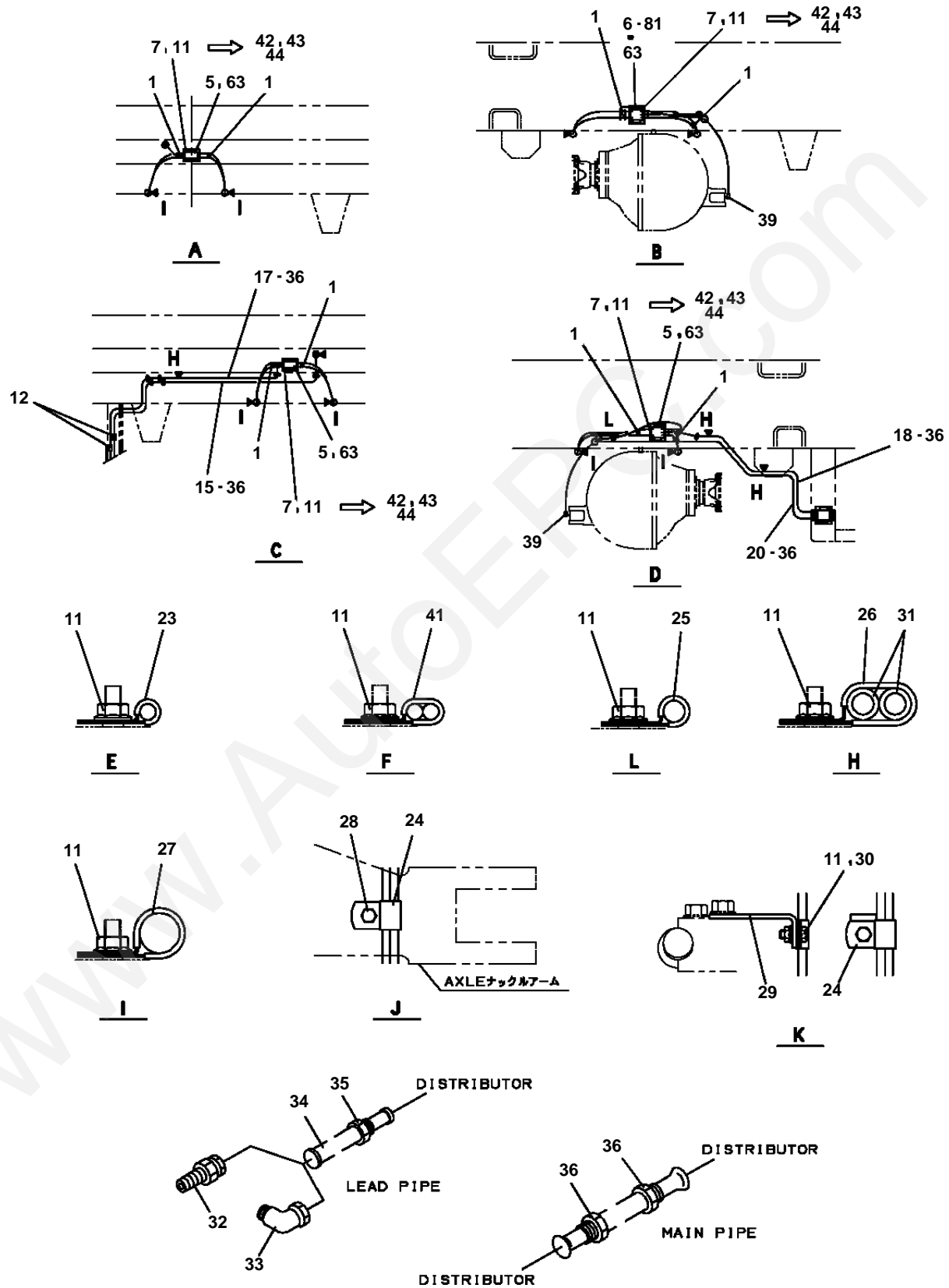
Pos No.	Parts No	Parts Name	Qty	Unit	Technical Data	Serial No (Start)	Serial No (End)	Remarks	Pages
1	34970277510	JOINT	4						
50	34970270100	DISTRIBUTOR	1						

www.AutoEPC.com

GR-120N-1-00111 12T,X,WINCH(W/O FREE-FALL),JIB(P.T)
 PM1050024-04 CENTRAL LUBRICATION SYSTEM



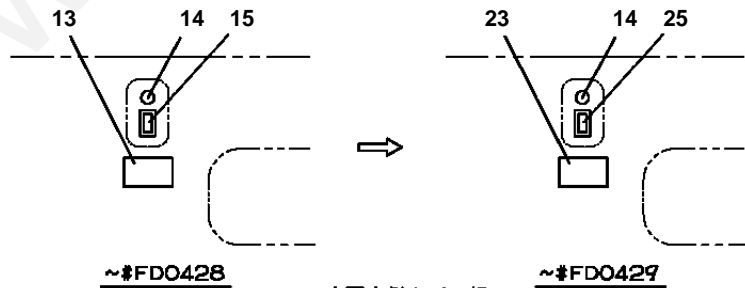
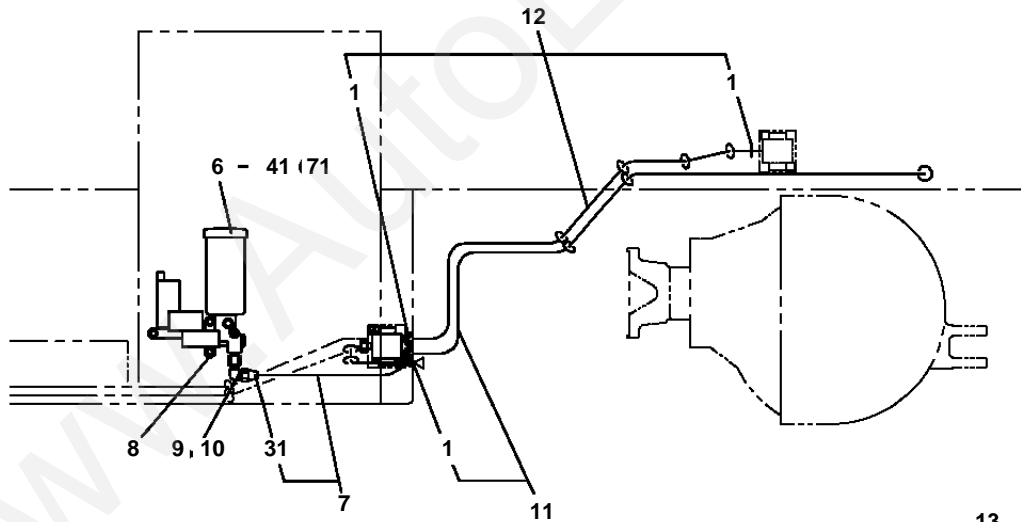
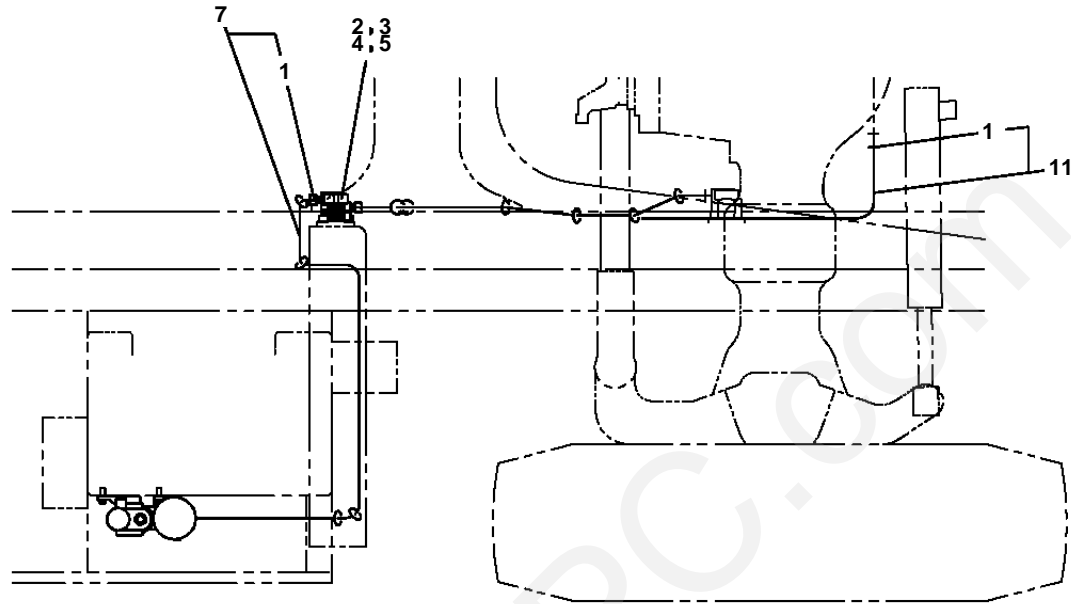
GR-120N-1-00111 12T,X,WINCH(W/O FREE-FALL),JIB(P.T)
 PM1050024-04 CENTRAL LUBRICATION SYSTEM



GR-120N-1-00111 12T,X,WINCH(W/O FREE-FALL),JIB(PT)

Pos No.	Parts No	Parts Name	Qty	Unit	Technical Data	Serial No (Start)	Serial No (End)	Remarks	Pages
1	91810130250	FASTENER	20						
3	37004100100	PUMP,GREASE	1						
4	34970270100	DISTRIBUTOR	1						000177
5	34970270400	DISTRIBUTOR (ASSY ONLY)	3						
6	34970290100	DISTRIBUTOR	1						
7	37000302040	SPACER	10		L=10		FD0068		
8	34970191000	SWITCH ASSY	1						
9	19218113000	LAMP,PILOT	1						
10	34970192000	PLATE,NAME	1						
11	90280200600	NUT,FLANGE	53		M6		FD0068		
	90280200600	NUT,FLANGE	43		M6	FD0069	FD0879		
12	56479000010	UNION	3						
13	34970298060	PIPE ASSY	1						
14	34970298070	PIPE ASSY	1						
15	34970298080	PIPE ASSY	1						
16	34970298090	PIPE ASSY	1						
17	34970298100	PIPE ASSY	1						
18	34970298110	PIPE ASSY	1						
19	34970298120	PIPE ASSY	1						
20	34970298130	PIPE ASSY	1						
22	90186208020	BOLT,FLANGE	3		M8X20				
23	82100002002	CLAMP	13		WR6				
24	82100002033	CLAMP	8						
25	82100002004	CLAMP	3		WR8				
26	82100002039	CLAMP	5				FD0879		
27	82100002010	CLAMP	16		WR15				
28	90186206010	BOLT,FLANGE	4		M6X10				
29	34970160600	SUPPORT	4						
30	90186206014	BOLT,FLANGE	4		M6X14				
31	37000300710	SLEEVE	12		12-8		FD0879		
32	56479000050	CONNECTOR	10				FD0134		
	56479000050	CONNECTOR	6			FD0135			
33	56479000060	FITTING,ELBOW	23				FD0134		
	56479000060	FITTING,ELBOW	27			FD0135			
34	34480050010	HOSE	N		6X1				
35	56479000080	NUT,FLARE	33						
36	56479000100	NUT,FLARE (FOR PIPE 8/M)	15		M14				
37	59159025000	FITTING,ELBOW	1						
38	37000904820	NUT,FLARE	1		M14				
39	56479030030	CONNECTOR	14						
40	37000922400	JOINT	1						
41	82100002006	CLAMP	1		WR10				
42	90172106020	BOLT,HEXAGON SOCKET	10		M6X20	FD0069			
43	90302040601	WASHER,SPRING	10		6	FD0069			
44	90303070601	WASHER,PLAIN	10		6	FD0069			
63	34970291100	PLATE	5			FD0069			
81	34970227510	SWITCH,MICRO (MS-10-T,WITH HARNESS)	1						
91	82105421110	SWITCH,ROCKER	1						
101	37004107530	CAP (TANK UPPER)	1						
106	37004199040	TANK ASSY (FOR GREASE PUMP)	1						

GR-120N-1-00111 12T,X,WINCH(W/O FREE-FALL),JIB(PT)
 PM1050034-03 CENTRAL LUBRICATION SYSTEM



13
集中給油装置の取り付け
 1. スイッチを押し、(ポンプを、ON
 状態にする。)
 2. 油圧が正常な圧力に達するまで、
 スイッチを押し続ける。(ポンプを、
 ON状態にする。)
 4. ポンプが正常に動作する。
 5. スイッチを押し続ける。
 200-701-0000



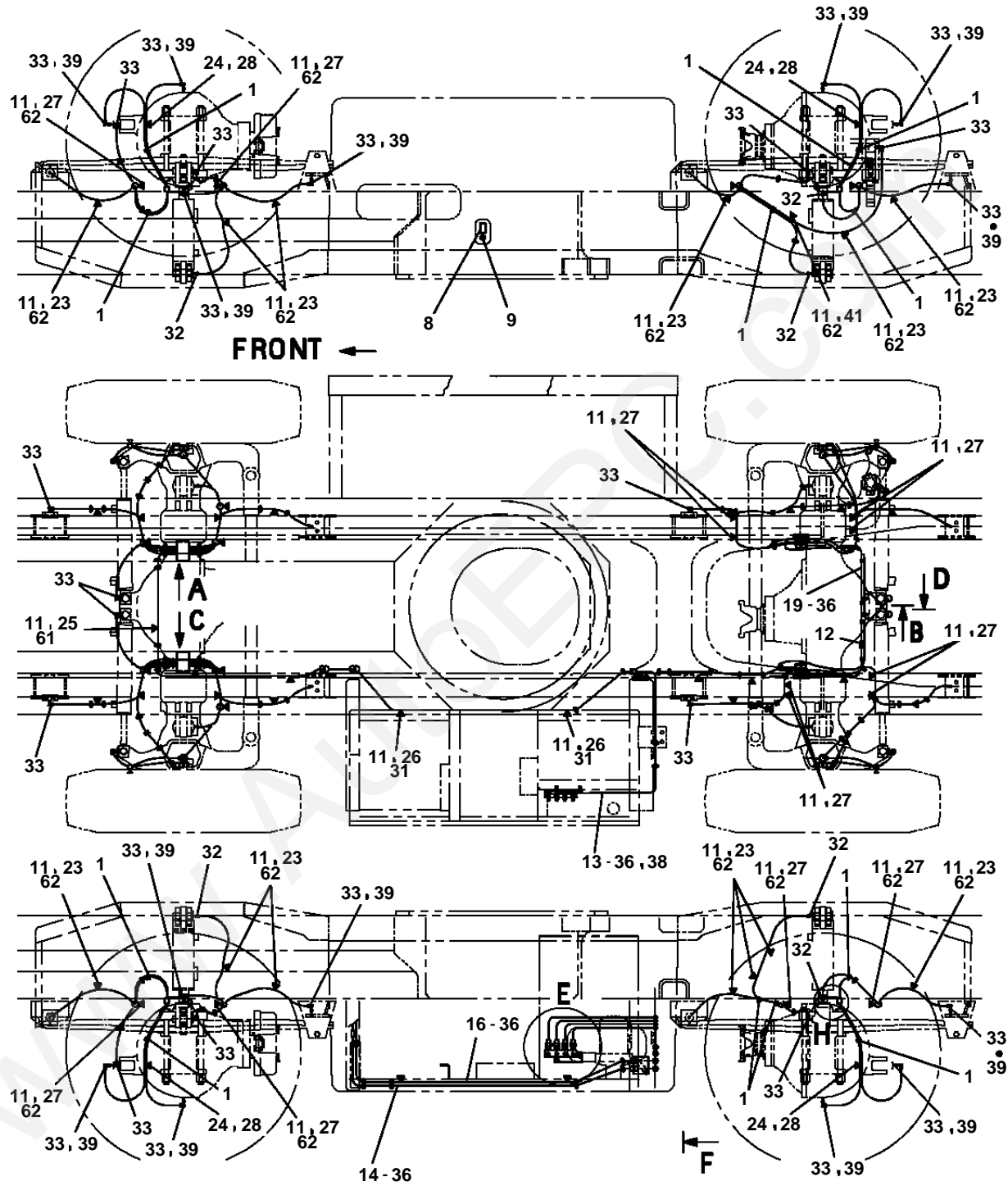
23

集中給油装置の取り付け
 1. スイッチを押し、(ポンプを、ON
 状態にする。)
 2. 油圧が正常な圧力に達するまで、
 スイッチを押し続ける。(ポンプを、
 ON状態にする。)
 4. ポンプが正常に動作する。
 5. スイッチを押し続ける。
 200-701-0000

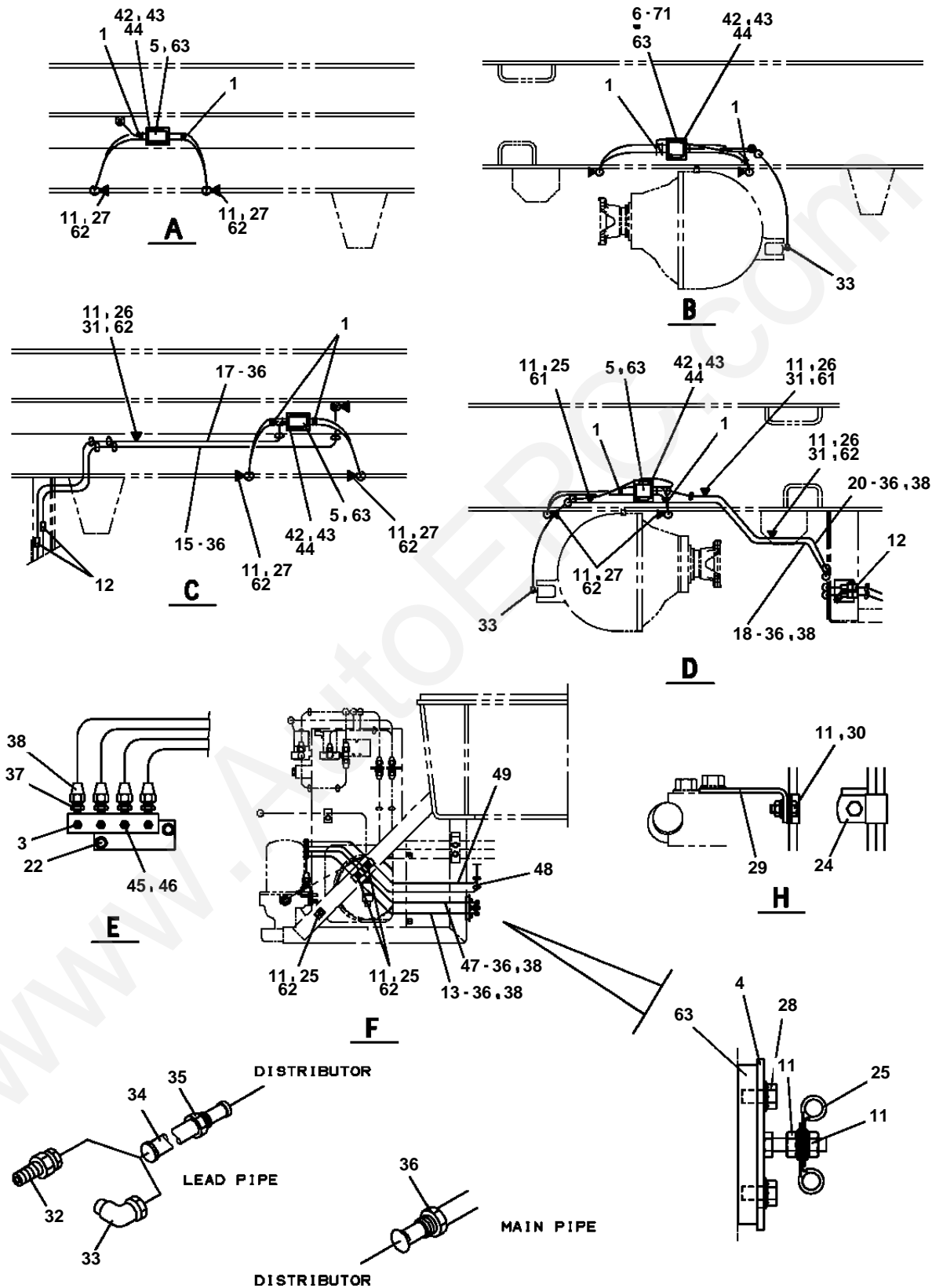
GR-120N-1-00111 12T,X,WINCH(W/O FREE-FALL),JIB(PT)

Pos No.	Parts No	Parts Name	Qty	Unit	Technical Data	Serial No (Start)	Serial No (End)	Remarks	Pages
1	56479000100	NUT,FLARE (FOR PIPE 8/M)	5		M14				000177
2	34970270100	DISTRIBUTOR	1						
3	90172106020	BOLT,HEXAGON SOCKET	2		M6X20				
4	90302040601	WASHER,SPRING	2		6				
5	90303070601	WASHER,PLAIN	2		6				
6	37004100100	PUMP,GREASE	1						
7	34970298060	PIPE ASSY	1						
8	90186208020	BOLT,FLANGE	1		M8X20				
9	59159025000	FITTING,ELBOW	1						
10	37000922400	JOINT	1						
11	34970298130	PIPE ASSY	1						
12	34970298110	PIPE ASSY	1						
13	34970192000	PLATE,NAME	1						
14	19218113000	LAMP,PILOT	1						
15	34970191000	SWITCH ASSY	1						
23	34731642000	PLATE,NAME	1						
25	34731641000	SWITCH ASSY	1						
31	37000904820	NUT,FLARE	1		M14				
41	37004199040	TANK ASSY (FOR GREASE PUMP)	1						
71	37004107530	CAP (TANK UPPER)	1						

GR-120N-1-00111 12T,X,WINCH(W/O FREE-FALL),JIB(P.T)
PM1050035-01 CENTRAL LUBRICATION SYSTEM



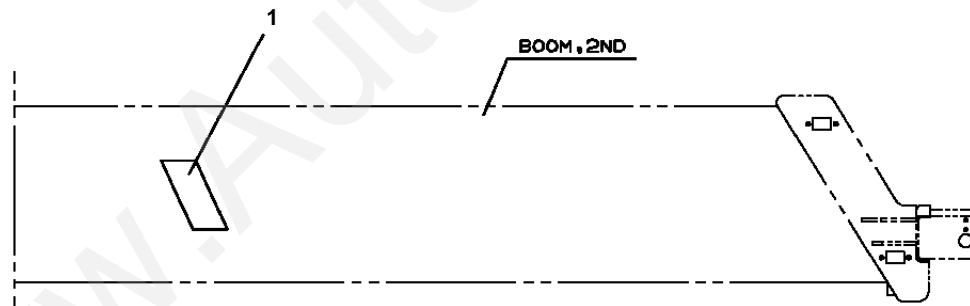
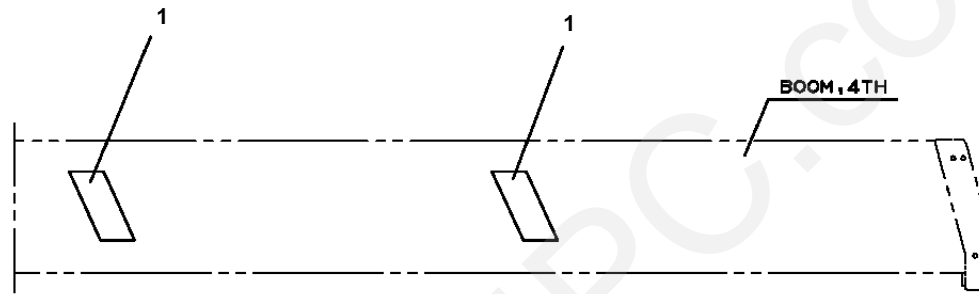
GR-120N-1-00111 12T,X,WINCH(W/O FREE-FALL),JIB(P.T)
PM1050035-01 CENTRAL LUBRICATION SYSTEM



GR-120N-1-00111 12T,X,WINCH(W/O FREE-FALL),JIB(PT)

Pos No.	Parts No	Parts Name	Qty	Unit	Technical Data	Serial No (Start)	Serial No (End)	Remarks	Pages
1	91810130250	FASTENER	20						
3	34970310200	JOINT	1						
4	34970310300	SUPPORT	1						
5	34970270400	DISTRIBUTOR (ASSY ONLY)	3						
6	34970290100	DISTRIBUTOR	1						
8	34352061410	CAP	1						
9	82466302140	GROMMET	1						
11	90280200600	NUT,FLANGE	46		M6				
12	56479000010	UNION	5						
13	34970418010	PIPE ASSY	1						
14	34970298070	PIPE ASSY	1						
15	34970298080	PIPE ASSY	1						
16	34970298090	PIPE ASSY	1						
17	34970298100	PIPE ASSY	1						
18	34970418020	PIPE ASSY	1						
19	34970298120	PIPE ASSY	1						
20	34970418030	PIPE ASSY	1						
22	90186208020	BOLT,FLANGE	2		M8X20				
23	82100002002	CLAMP	13		WR6				
24	82100002033	CLAMP	8						
25	82100002004	CLAMP	9		WR8				
26	82100002039	CLAMP	5						
27	82100002010	CLAMP	16		WR15				
28	90186206010	BOLT,FLANGE	6		M6X10				
29	34970160600	SUPPORT	4						
30	90186206014	BOLT,FLANGE	4		M6X14				
31	37000300710	SLEEVE	10		12-8				
32	56479000050	CONNECTOR	6						
33	56479000060	FITTING,ELBOW	27						
34	34480050010	HOSE	N		6X1				
35	56479000080	NUT,FLARE	33						
36	56479000100	NUT,FLARE (FOR PIPE 8/M)	14		M14				
37	37000903920	FITTING	4						
38	37000904820	NUT,FLARE	4		M14				
39	56479030030	CONNECTOR	14						
41	82100002006	CLAMP	1		WR10				
42	90172106020	BOLT,HEXAGON SOCKET	8		M6X20				
43	90302040601	WASHER,SPRING	8		6				
44	90303070601	WASHER,PLAIN	8		6				
45	82456101000	NIPPLE,GREASE	4		A-PT1/8				
46	82400000459	CAP	4						
47	34970418040	PIPE ASSY	1						
61	90155306030	BOLT,WELD	3		M6X30				
62	90155306015	BOLT,WELD	33		M6X15				
63	34970291100	PLATE	5						
71	34970227510	SWITCH,MICRO (MS-10-T,WITH HARNESS)	1						

GR-120N-1-00111 12T,X,WINCH(W/O FREE-FALL),JIB(P
PM5020002-00 MARKING (BOOM)



GR-120N-1-00111 12T,X,WINCH(W/O FREE-FALL),JIB(PT)

Pos No.	Parts No	Parts Name	Qty	Unit	Technical Data	Serial No (Start)	Serial No (End)	Remarks	Pages
1	32360110020	PLATE,NAME (WHITE)	3						

www.AutoEPC.com

GR-120N-1-00111 12T,X,WINCH(W/O FREE-FALL),JIB(PT)

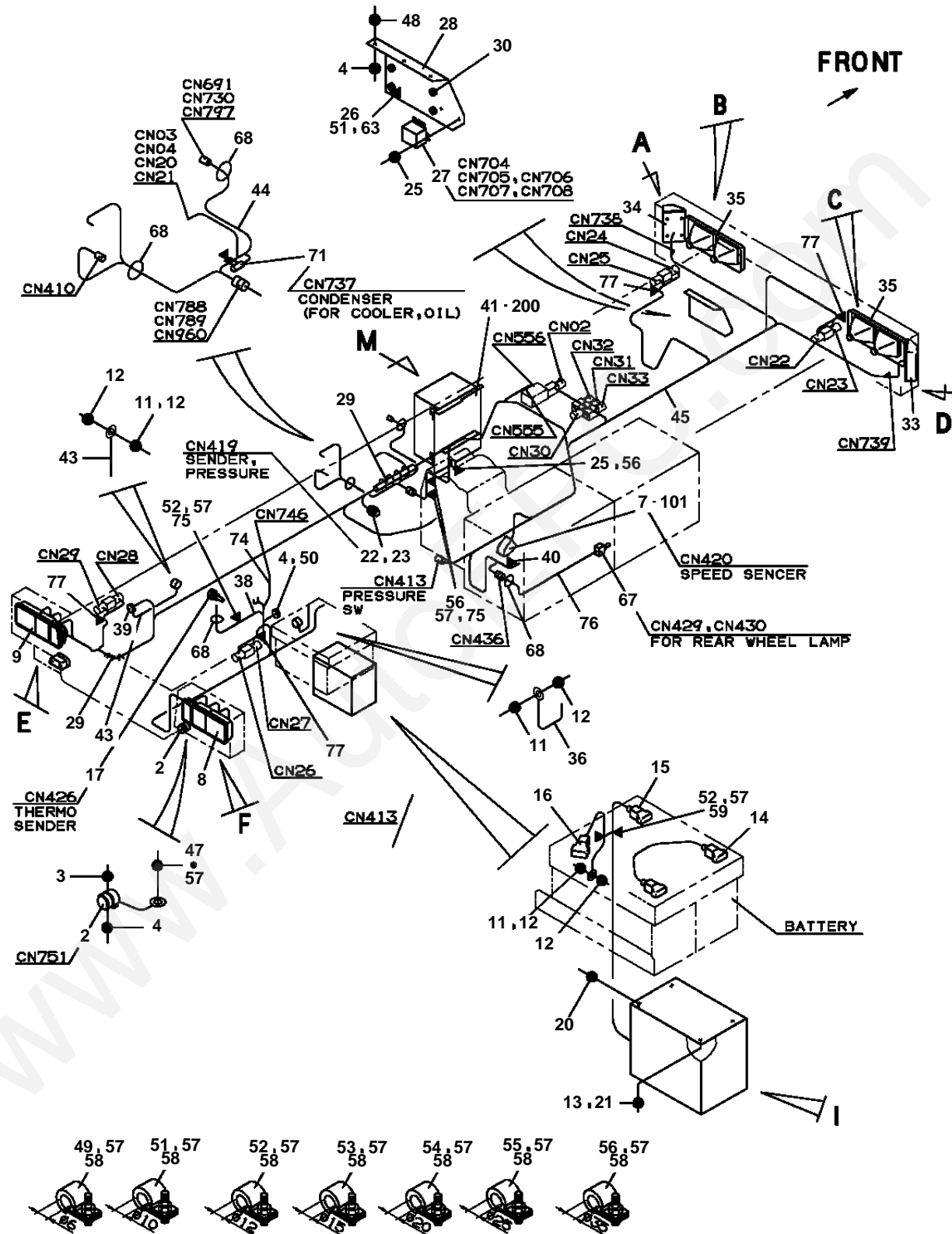
Pos No.	Parts No	Parts Name	Qty	Unit	Technical Data	Serial No (Start)	Serial No (End)	Remarks	Pages
1	34352802010	HARNESS (SWING FRAME,R)	1				FD0564		
	34352802011	HARNESS (SWING FRAME,R)	1			FD0565			
2	34352802020	HARNESS (SWING FRAME,L)	1				FD0564		
	34352802021	HARNESS (SWING FRAME,L)	1			FD0565			
3	34352932030	HARNESS (BOOM)	1				FD0564		
	34352932031	HARNESS (BOOM)	1			FD0565			
5	34352832300	LAMP	1		24V 70W				
6	34352831700	LAMP	1		24V 70W				
7	34352062100	CABLE ASSY	1		L=250				
8	90201201000	NUT	1		M10				
9	90302041001	WASHER,SPRING	2		10				
10	34351497100	WASHER,WINDOW	1						
11	90101206020	BOLT	1		M6X20				
12	90302040601	WASHER,SPRING	3		6				
13	90303070601	WASHER,PLAIN	3		6				
14	34351963400	SUPPORT	1						
15	90101208020	BOLT	2		M8X20				
16	90302040801	WASHER,SPRING	2		8		FD0511		
	90302040801	WASHER,SPRING	6		8	FD0512			
17	82183901010	CONDENSER	1						
18	90101210016	BOLT	1		M10X16				
19	34351360100	SWITCH ASSY	1						
20	90131505020	BOLT,HEXAGON SOCKET	2		M5X20				
21	90302040501	WASHER,SPRING	2		5				
22	90280200600	NUT,FLANGE	40		M6				
23	90190000008	BOLT,STUD	22		M6X20				
24	82100002002	CLAMP	18		WR6				
25	82100002004	CLAMP	3		WR8				
26	82100002006	CLAMP	8		WR10				
27	82100002010	CLAMP	1		WR15				
28	82100002014	CLAMP	6		WR20				
29	82100002016	CLAMP	2		WR25				
30	82100002017	CLAMP	3		WR30				
31	37000604250	CLAMP	18						
32	90101206016	BOLT	2		M6X16				
33	82100002051	CLAMP	8		WS-A55				
34	36180030000	SENSOR,SPEED	2						
35	34478141000	LAMP	2		24V,12W,YELLOW				
36	90302040401	WASHER,SPRING	4		4				
37	34352812040	HARNESS	1						000092
38	82108901030	SWITCH	1				FD1360		
	82108501270	SWITCH	1			FD1361			
39	91810130250	FASTENER	2						
40	82100000711	CLAMP	3			FD0512	FD0694		
41	90101208012	BOLT	4		M8X12	FD0512			
51	34351497630	TANK ASSY (WITH CAP&GROMMET)	1						
52	34351497620	MOTOR & PUMP ASSY	2						
54	34351497611	CAP (BLACK)	1						
61	82100001996	SWITCH,LIMIT	1						
71	34960117510	KEY (FOR SENSOR)	2						
82	82100000783	BULB,LAMP	2		24V 12W				
83	34478147510	LENS (YELLOW)	2						
91	82100002873	BULB,LAMP	2		24V 70W				
92	34352837530	LENS	2						
101	34352802200	SUPPORT	1			FD0512			
102	90101206020	BOLT	1		M6X20	FD0512			

GR-120N-1-00111 12T,X,WINCH(W/O FREE-FALL),JIB(PT)

Pos No.	Parts No	Parts Name	Qty	Unit	Technical Data	Serial No (Start)	Serial No (End)	Remarks	Pages
103	90302040601	WASHER,SPRING	1		6	FD0512			
104	90303070601	WASHER,PLAIN	1		6	FD0512			
105	99172108020	BOLT,TAPPING	2		M8X20	FD0512	FD1541		
	90186208020	BOLT,FLANGE	2		M8X20	FD1542			
106	34352802300	HORN (HIGH PITCH)	1			FD0512			
107	34352802400	HORN (LOW PITCH)	1			FD0512			
108	82100002001	CLAMP	1		WR5	FD0512			
109	34352802110	HARNESS	1			FD0512			000093
111	82400000217	GROMMET	1			FD0512			

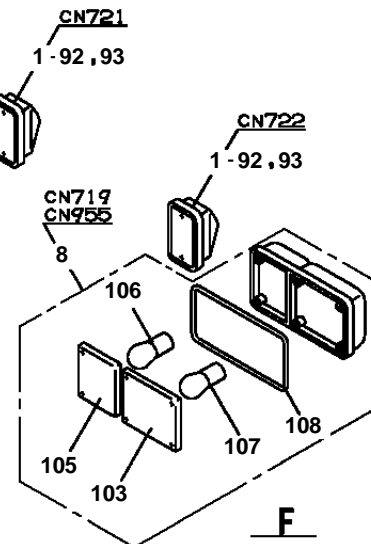
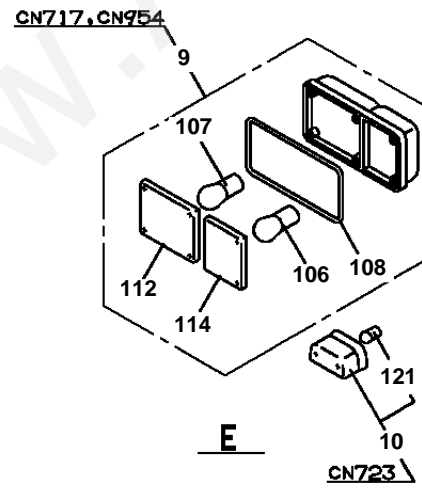
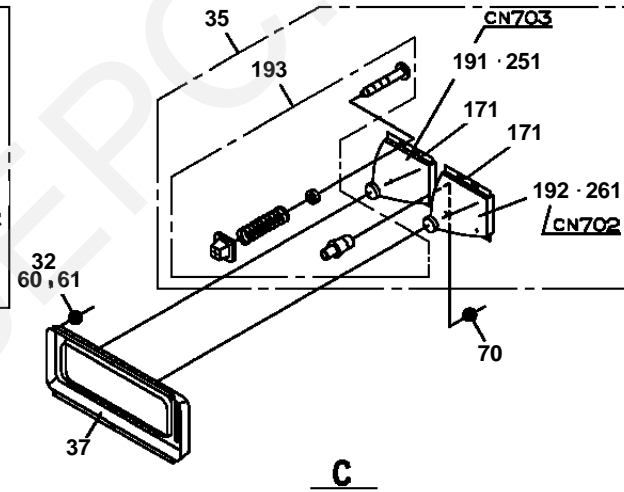
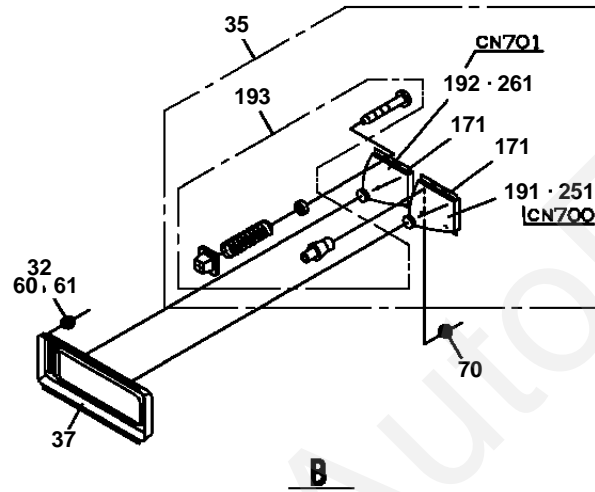
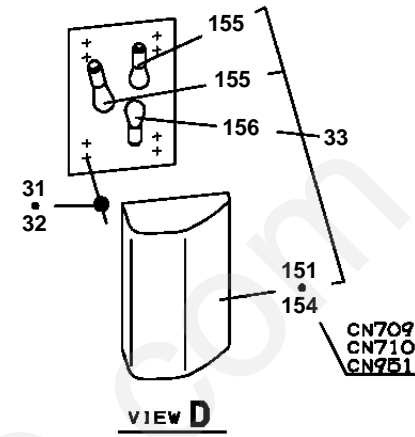
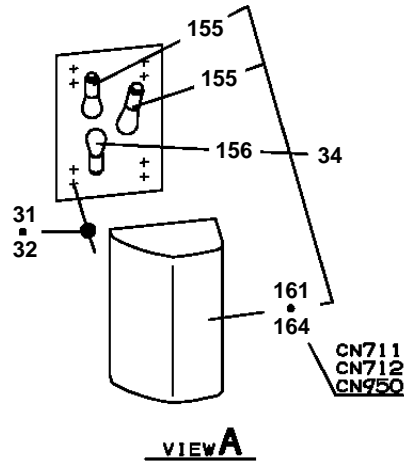
www.AutoEPC.com

GR-120N-1-00111 12T,X,WINCH(W/O FREE-FALL),JIB(P.T)
 PN1012622-06 ELEC.ASSY (LOWER,X-O/R)

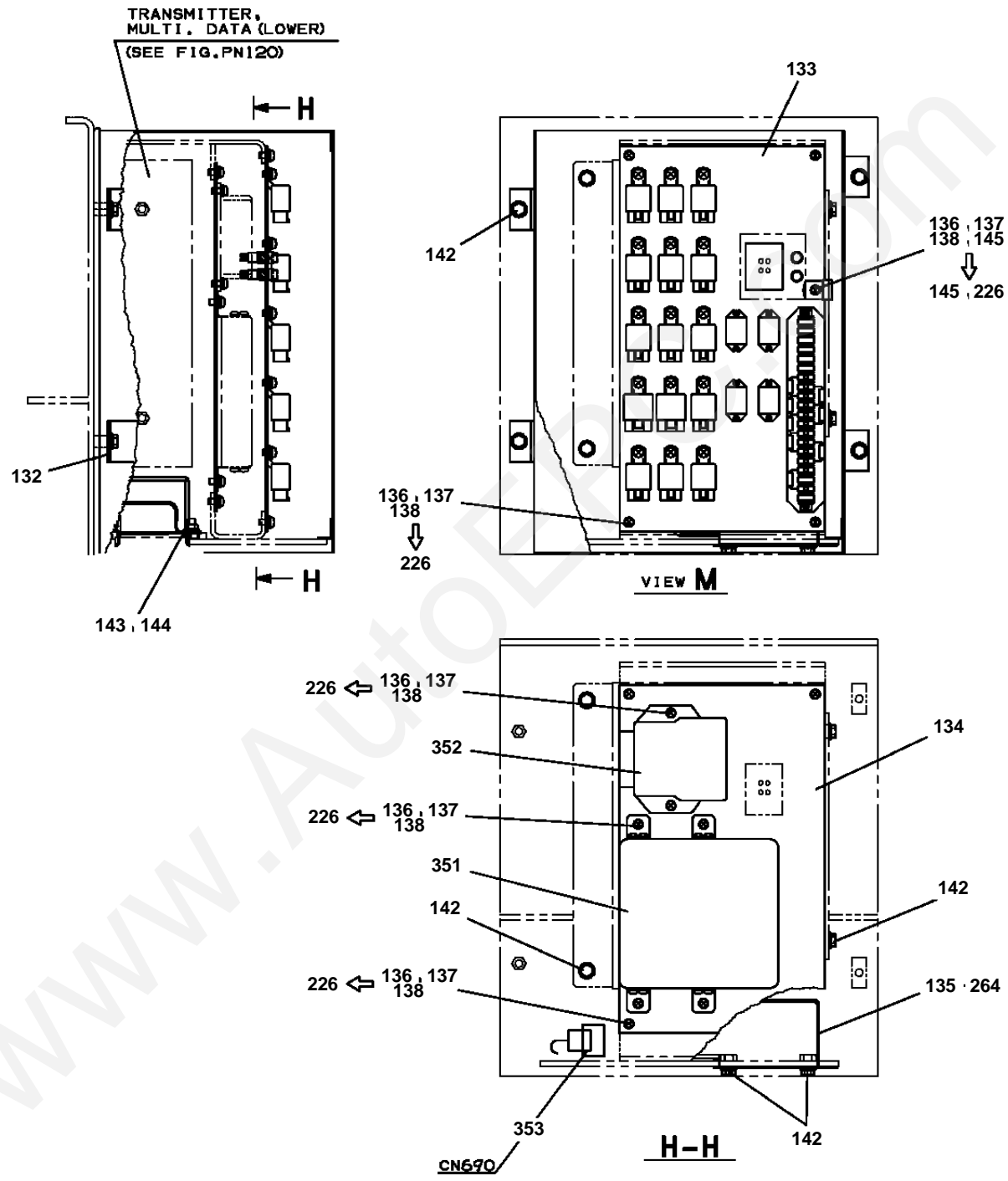


展開圖有
 ILLUSTRATED BREAKDOWN NO.8,9 33:34:35 35

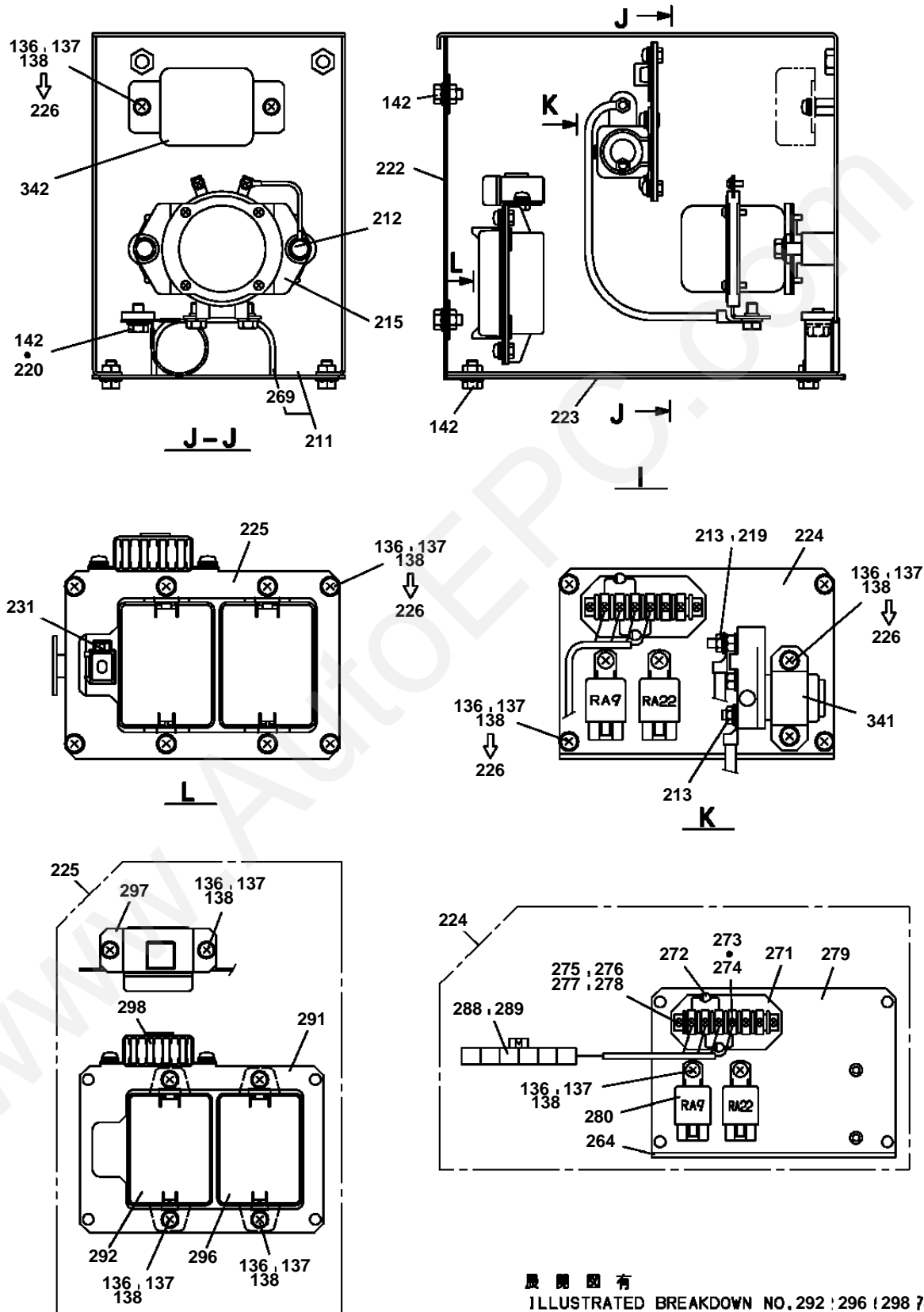
GR-120N-1-00111 12T,X,WINCH(W/O FREE-FALL),JIB(P
 PN1012622-06 ELEC.ASSY (LOWER,X-O/R)



GR-120N-1-00111 12T,X,WINCH(W/O FREE-FALL),JIB(PT)
PN1012622-06 ELEC.ASSY (LOWER,X-O/R)

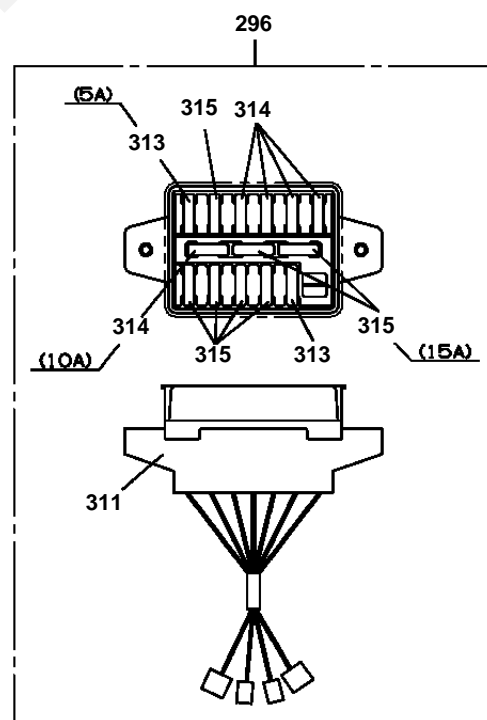
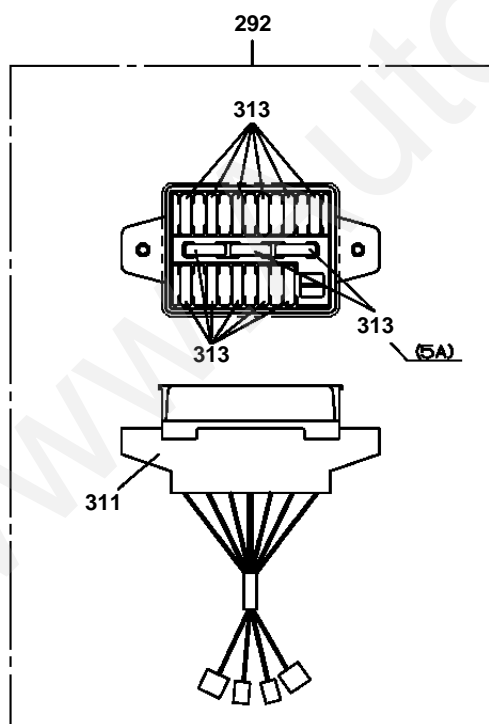
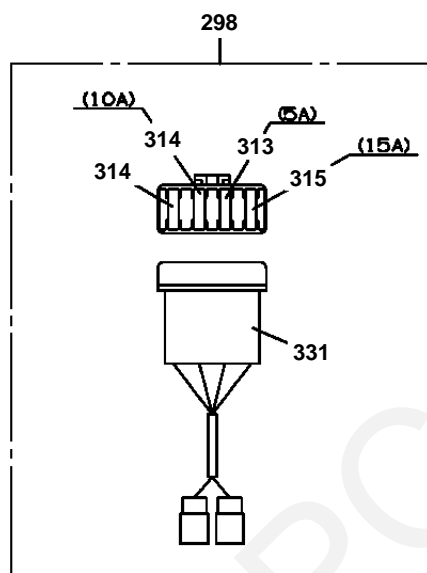


GR-120N-1-00111 12T,X,WINCH(W/O FREE-FALL),JIB(P.T)
 PN1012622-06 ELEC.ASSY (LOWER,X-O/R)



展開図有
 ILLUSTRATED BREAKDOWN NO.292,296,298,78

GR-120N-1-00111 12T,X,WINCH(W/O FREE-FALL),JIB(P
PN1012622-06 ELEC.ASSY (LOWER,X-O/R)



GR-120N-1-00111 12T,X,WINCH(W/O FREE-FALL),JIB(PT)

Pos No.	Parts No	Parts Name	Qty	Unit	Technical Data	Serial No (Start)	Serial No (End)	Remarks	Pages
1	82165101030	LAMP,BACKUP	2						
2	44960012000	BUZZER ASSY	1						
3	90186208014	BOLT,FLANGE	1		M8X14				
4	90280200800	NUT,FLANGE	5		M8				
7	36180030000	SENSOR,SPEED	1						
8	34930277000	LAMP,COMBINATION (RIGHT)	1						
9	34930277100	LAMP,COMBINATION (LEFT)	1						
10	82100002563	LAMP,LICENSE	1						
11	90155210030	BOLT,WELD	3		M10X30				
12	90280201000	NUT,FLANGE	6		M10				
13	90302041001	WASHER,SPRING	2		10				
14	34650001301	CABLE (BATTERY)	1		L=400				
15	37002708190	CABLE (BATTERY- BATTERY RERAY)	1						
16	34930390300	CABLE (BATTERY EARTH)	1						
17	36681880000	SENDER,THERMO(WATER)	1						
20	90186210020	BOLT,FLANGE	2		M10X20				
21	90101210012	BOLT	2		M10X12				
22	36180010000	SENDER,PRESSURE	1				FD0511		
	36180150000	SENDER,PRESSURE	1			FD0512			
23	91067101600	O-RING	1		P16		FD0511		
	91062014011	O-RING	1		1B	FD0512			
25	90186206014	BOLT,FLANGE	3		M6X14				
26	90302040601	WASHER,SPRING	1		6		FD0497		
27	34930400200	RELAY (FOR HEAD LAMP)	1						
28	34930430101	SUPPORT	1						
29	82100001819	TUBE,SPIRAL	1	M	SE-18BK				
30	90186208020	BOLT,FLANGE	4		M8X20		FD0497		
31	80172305012	SCREW,MACHINE	8		M5X12				
32	90302040501	WASHER,SPRING	20		5				
33	34930090300	LAMP,COMBINATION (RIGHT)	1						
34	34930090400	LAMP,COMBINATION (LEFT)	1						
35	34930573000	LAMP,HEAD	2						
36	33430162080	CABLE (STARTER MOTOR)	1						
37	34930390602	COVER	2						
38	34930390700	CABLE	1				FD0283		
	37002708770	CABLE (BATTERY RELAY-STARTER MOTOR)	1			FD0284			
39	90186206010	BOLT,FLANGE	2		M6X10				
40	82100000711	CLAMP	1						
41	34930682101	SUPPORT	1						
43	34930390800	CABLE (ALTERNATOR)	1						
44	34930680201	HARNESS (AIR)	1				FD0564		
	34930680202	HARNESS (AIR)	1			FD0565			
45	34930680101	HARNESS (MAIN)	1				FD0564		
	34930680170	HARNESS (MAIN)	1			FD0565			
47	90303070601	WASHER,PLAIN	1		6				
48	90155208030	BOLT,WELD	3		M8X30				
49	82100002002	CLAMP	22		WR6		FD0106		
	82100002002	CLAMP	20		WR6	FD0107			
50	90303070801	WASHER,PLAIN	1		8	FD0391			
51	82100002006	CLAMP	7		WR10		FD0497		
	82100002006	CLAMP	6		WR10	FD0498			
52	82100002008	CLAMP	15		WR12		FD0283		
	82100002008	CLAMP	16		WR12	FD0284			
53	82100002010	CLAMP	30		WR15				
54	82100002014	CLAMP	8		WR20				
55	82100002016	CLAMP	10		WR25				

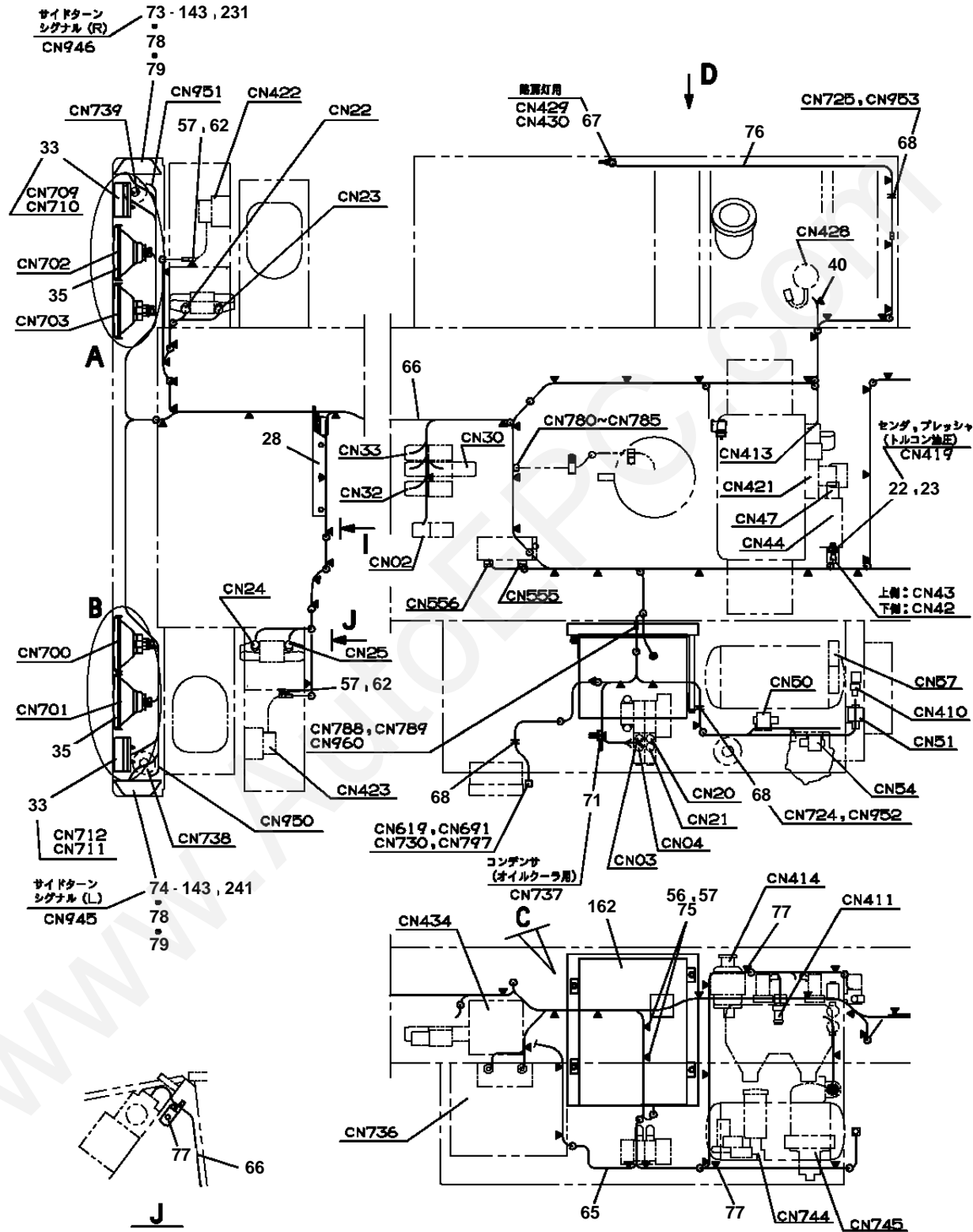
GR-120N-1-00111 12T,X,WINCH(W/O FREE-FALL),JIB(PT)

Pos No.	Parts No	Parts Name	Qty	Unit	Technical Data	Serial No (Start)	Serial No (End)	Remarks	Pages
56	82100002018	CLAMP	19		WR35				
57	90280200600	NUT,FLANGE	N		M6				
58	90155306015	BOLT,WELD	N		M6X15				
59	90102206070	BOLT	2						
60	90303070501	WASHER,PLAIN	12		5				
61	80172805012	SCREW,MACHINE	12		M5X12				
63	80182306012	SCREW,MACHINE	1		M6X12		FD0497		
67	34930270700	SWITCH ASSY	1						
68	91810130230	FASTENER	8						
70	80172305040	SCREW,MACHINE	4		M5X40				
71	82183901010	CONDENSER	1						
74	34930680301	HARNESS (FOR ELECTRONIC GOVERNOR)	1				FD0564		
	34930680302	HARNESS (FOR ELECTRONIC GOVERNOR)	1			FD0565			
75	90155306050	BOLT,WELD	2		M6X50		FD0283		
	90155306050	BOLT,WELD	3		M6X50	FD0284			
76	34930680400	HARNESS (SUB)	1				FD0564		
	34930680401	HARNESS (SUB)	1			FD0565			
77	37000604250	CLAMP	4						
92	82100002845	LENS	2						
93	82100000057	BULB,LAMP	2		24V 25W				
101	34960117510	KEY (FOR SENSOR)	1						
103	34930277520	LENS (RED)	1						
105	34930277540	LENS (AMBER)	1						
106	34930277550	BULB,LAMP	2		24V 25W				
107	34930277560	BULB,LAMP	2		24V 25/10W				
108	34930277570	GASKET	2						
112	34930277510	LENS (RED)	1						
114	34930277530	LENS (AMBER)	1						
121	82100000783	BULB,LAMP	1		24V 12W				
132	34930682201	COVER	1						
133	34930682300	RELAY ASSY (LOWER)	1						000192
134	34930682400	PLATE	1						
135	34930662501	COVER	1						
136	80182306012	SCREW,MACHINE	8		M6X12				
	80182306012	SCREW,MACHINE	27		M6X12		FD1565		
137	90302040601	WASHER,SPRING	27		6		FD1565		
	90302040601	WASHER,SPRING	8		6				
138	90303070601	WASHER,PLAIN	8		6				
	90303070601	WASHER,PLAIN	27		6		FD1565		
142	90186208014	BOLT,FLANGE	20		M8X14				
143	90280200800	NUT,FLANGE	1		M8				
144	37000600120	CLAMP	1		45				
145	82100002002	CLAMP	1		WR6				
151	34930097700	LENS (TURN LAMP RIGHT)	1						
154	34930097770	SHADE ASSY (RIGHT)	1						
155	34930097630	BULB,LAMP	4		24V 25W				
156	34930097640	BULB,LAMP	2		24V 10/4W				
161	34930097620	LENS (TURN LAMP LEFT)	1						
164	34930097780	SHADE ASSY (LEFT)	1						
171	34930397580	RING,RETAINING	4						
191	34930577510	LAMP ASSY (NO.1)	2		24V 70W				
192	34930577520	LAMP ASSY (NO.2)	2		24V 75/70W				
193	34930397590	BOLT SET	4						
200	82400000205	GROMMET	1	M					
211	34930681100	BOX	1						
212	90186208025	BOLT,FLANGE	2		M8X25				

GR-120N-1-00111 12T,X,WINCH(W/O FREE-FALL),JIB(PT)

Pos No.	Parts No	Parts Name	Qty	Unit	Technical Data	Serial No (Start)	Serial No (End)	Remarks	Pages
213	90280200600	NUT,FLANGE	2		M6				
215	82161901050	RELAY	1				FD1594		
219	37002708040	CABLE	1		L=350				
220	82100002016	CLAMP	1		WR25				
222	34930393201	COVER	1						
223	34930393301	COVER	1						
224	34930681200	RELAY ASSY	1						
225	34930681300	BOX ASSY (FUSE)	1						
231	82174103526	FUSE (75A,7323-3526-40>	1						
251	34460747120	BULB,LAMP	2		24V 70W				
261	34460747110	BULB,LAMP	2		24V 70/75W				
264	82400000201	GROMMET	2		KG-016				
269	82400000202	GROMMET	1	M					
271	34350032400	PLATE	1						
272	82100001200	DIODE	2						
273	82100001404	TERMINAL	4						
274	82100001220	INSULATOR	4						
275	82100001989	TERMINAL	1						
276	80172303012	SCREW,MACHINE	2		M3X12				
277	90302040301	WASHER,SPRING	2		3				
278	90303070301	WASHER,PLAIN	2		3				
279	34930681210	PLATE	1						
280	82100002596	RELAY	2						
288	82114214061	CONNECTOR (CAP)	1						
289	82111207051	TERMINAL (MAIL)	4						
291	34930681310	SUPPORT	1						
292	34930346200	BOX ASSY (FUSE)	1						
296	34930661200	BOX ASSY (FUSE)	1						
297	42331093200	SUPPORT	1						
298	34930681330	BOX ASSY (FUSE)	1						
311	34351562510	BOX,FUSE	2						
313	82100001837	FUSE	17		5A				
314	82100001839	FUSE	7		10A.RED				
315	82100001840	FUSE	8		15A,BLUE				
331	42432941110	BOX,FUSE	1						
341	36361122010	RELAY (AIR HEATER/ME049306)	1						
342	36361122020	RELAY,SAFETY	1						
351	36361122030	CONTROL UNIT (ECU)	1						
352	36361122040	CONTROL UNIT (EDU)	1						
353	36361122050	RESISTANCE	1						
	36361122060	RESISTANCE	1			FD0135	FD0134		

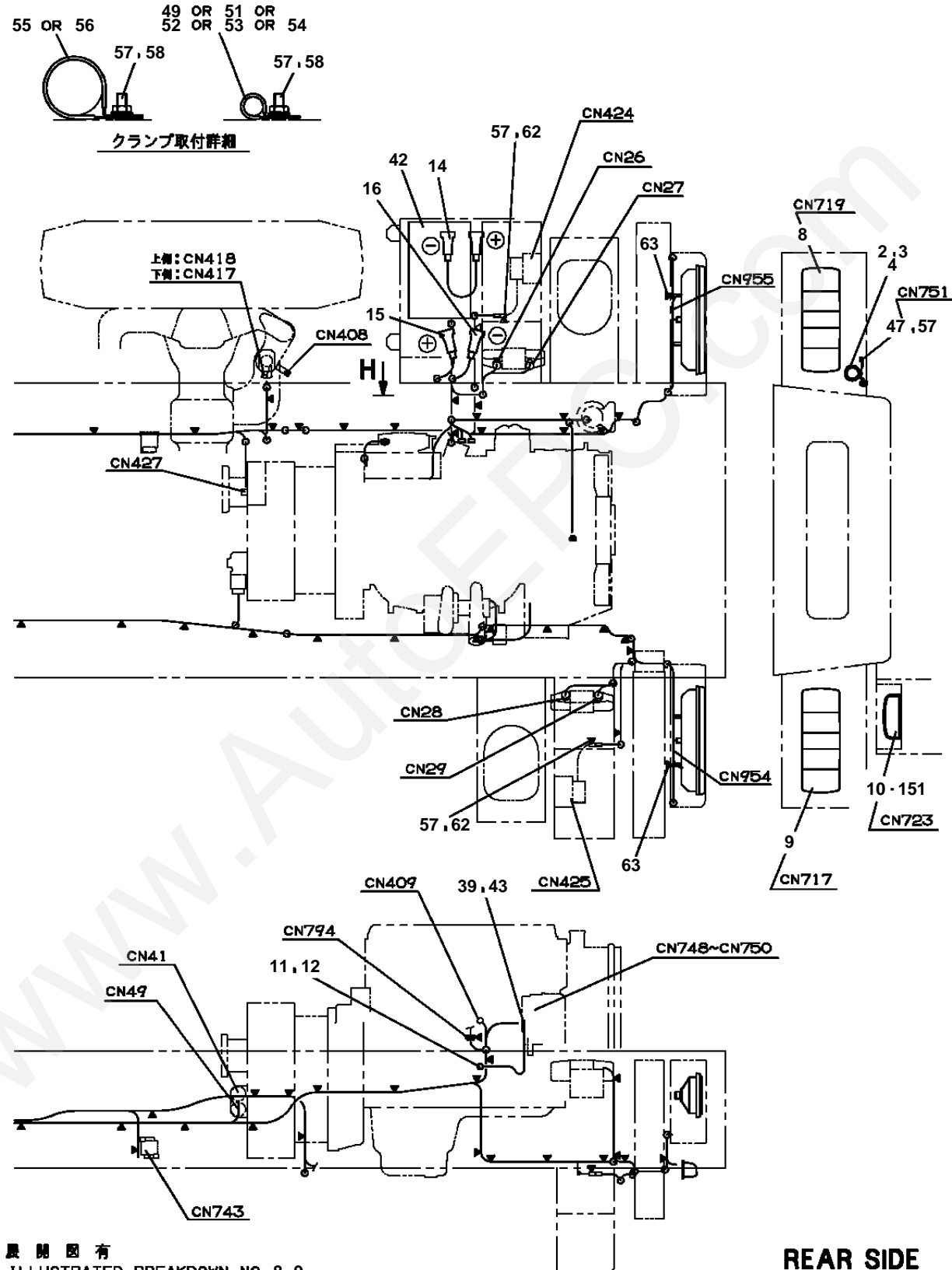
GR-120N-1-00111 12T,X,WINCH(W/O FREE-FALL),JIB(PT)
 PN1014123-04 ELEC.ASSY (LOWER,X-O/R)



FRONT SIDE

展開図有
 ILLUSTRATED BREAKDOWN NO.35

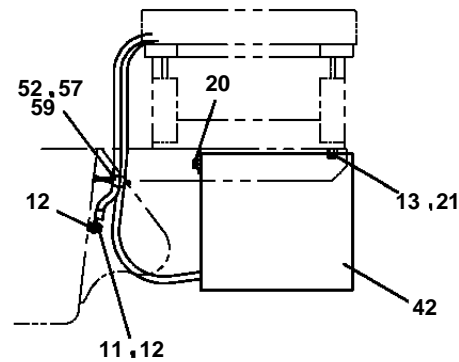
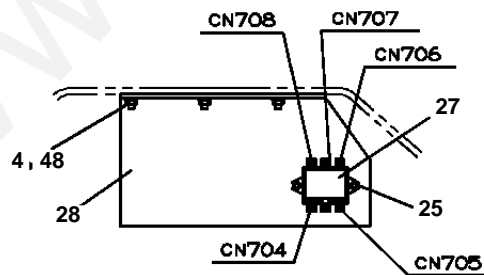
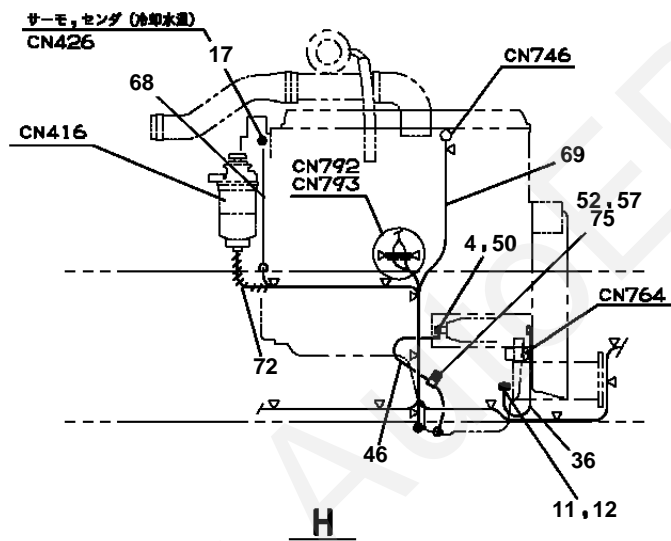
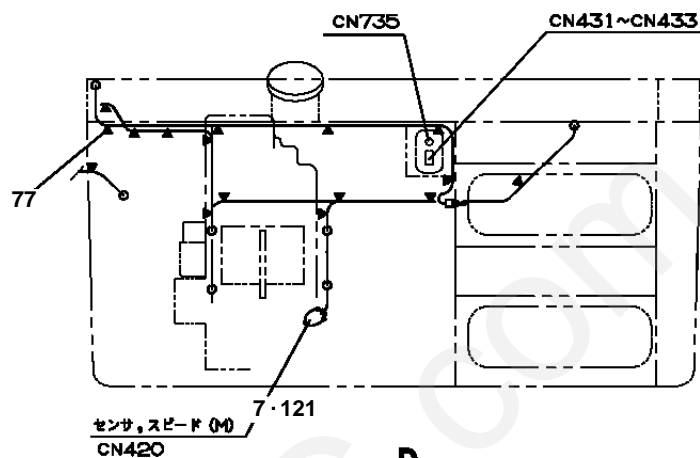
GR-120N-1-00111 12T,X,WINCH(W/O FREE-FALL),JIB(P.T)
 PN1014123-04 ELEC.ASSY (LOWER,X-O/R)



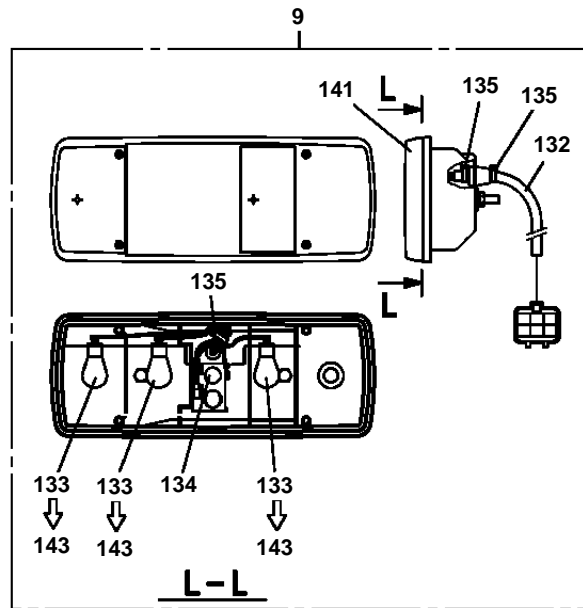
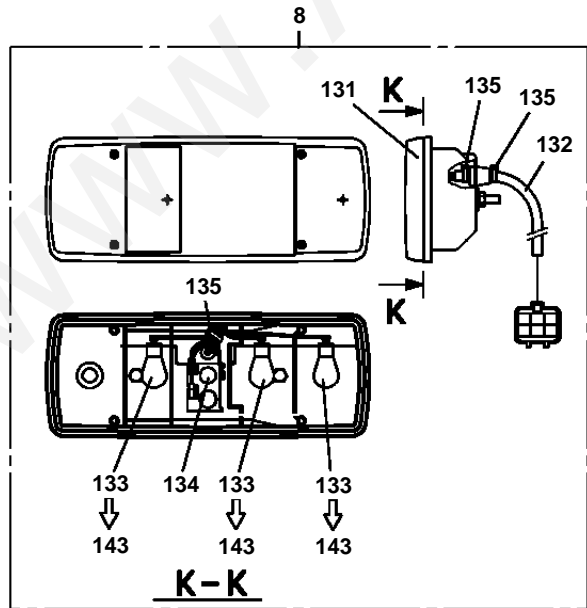
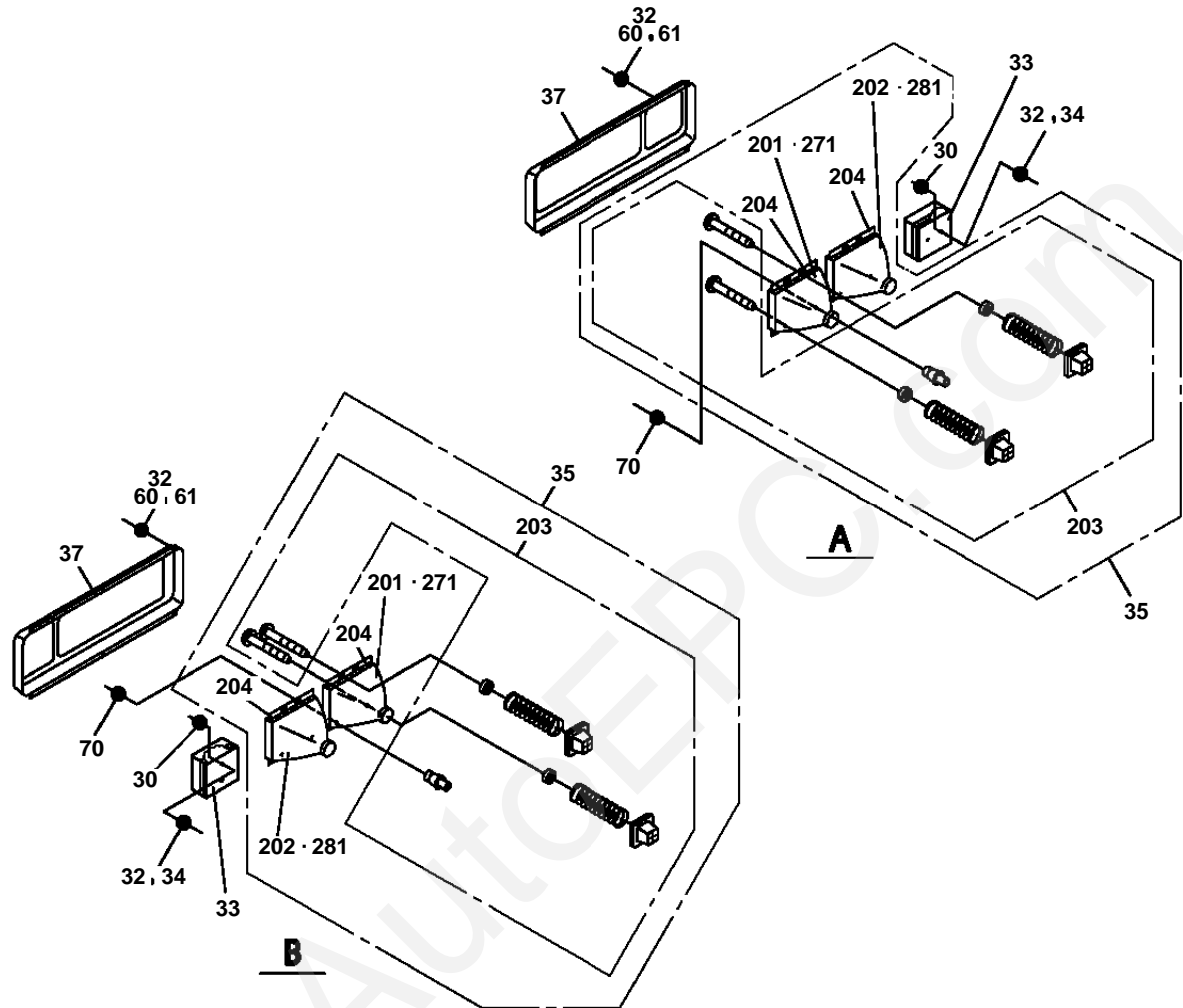
展開図有
 ILLUSTRATED BREAKDOWN NO.8,9

REAR SIDE

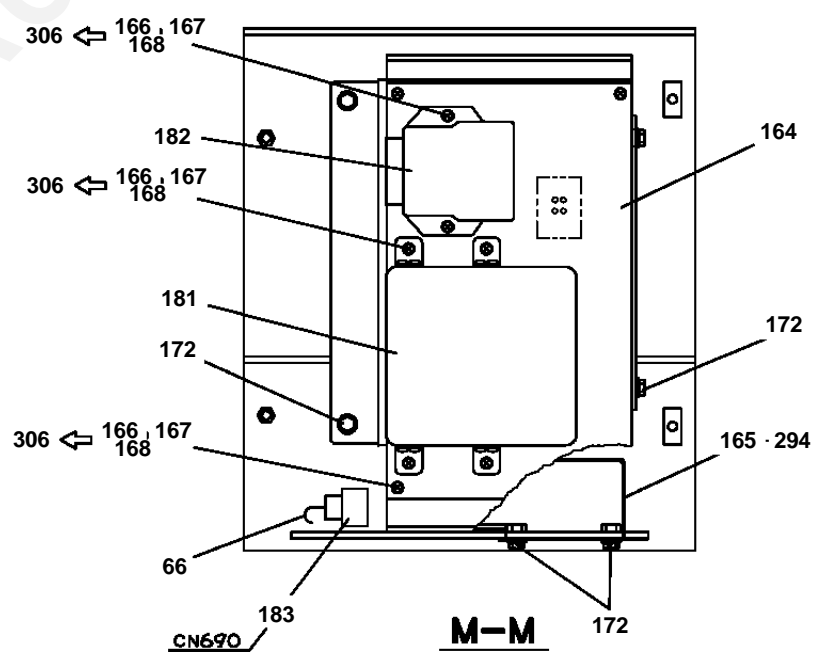
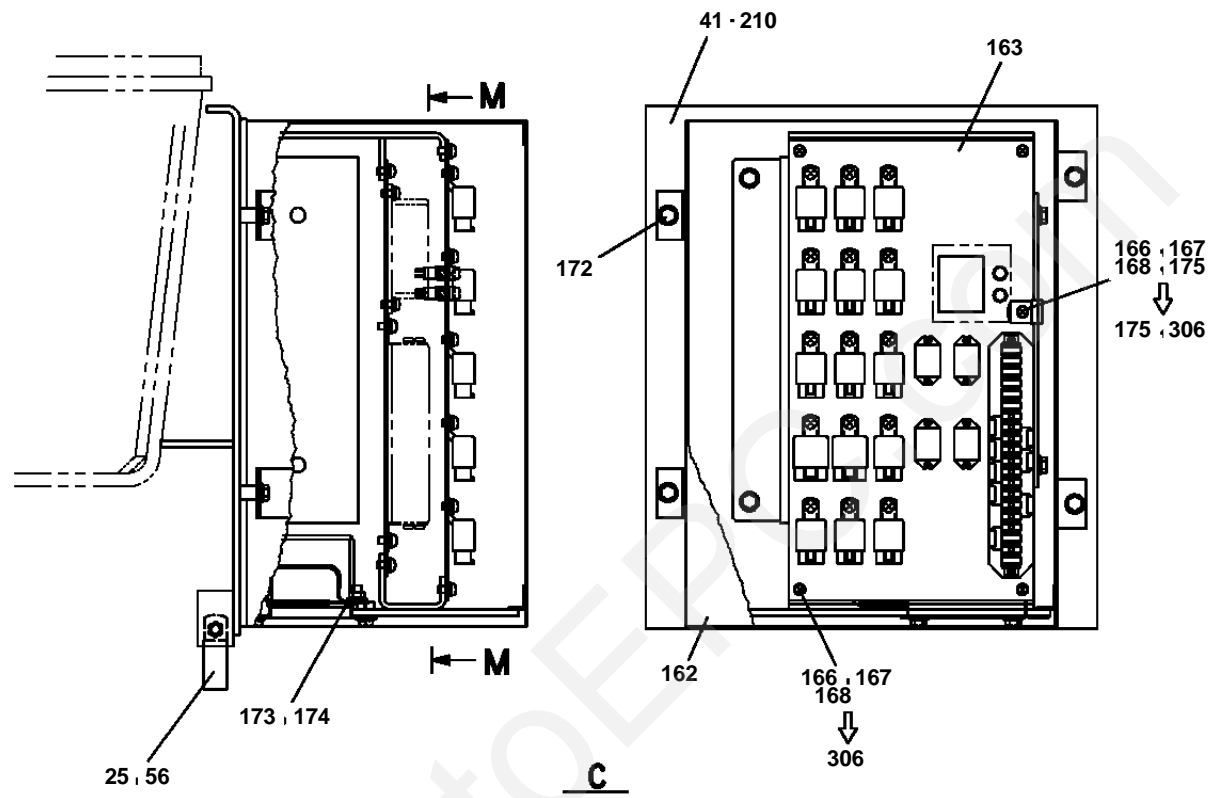
GR-120N-1-00111 12T,X,WINCH(W/O FREE-FALL),JIB(P.T)
 PN1014123-04 ELEC.ASSY (LOWER,X-O/R)



GR-120N-1-00111 12T,X,WINCH(W/O FREE-FALL),JIB(P
 PN1014123-04 ELEC.ASSY (LOWER,X-O/R)



GR-120N-1-00111 12T,X,WINCH(W/O FREE-FALL),JIB(PT)
 PN1014123-04 ELEC.ASSY (LOWER,X-O/R)



GR-120N-1-00111 12T,X,WINCH(W/O FREE-FALL),JIB(PT)

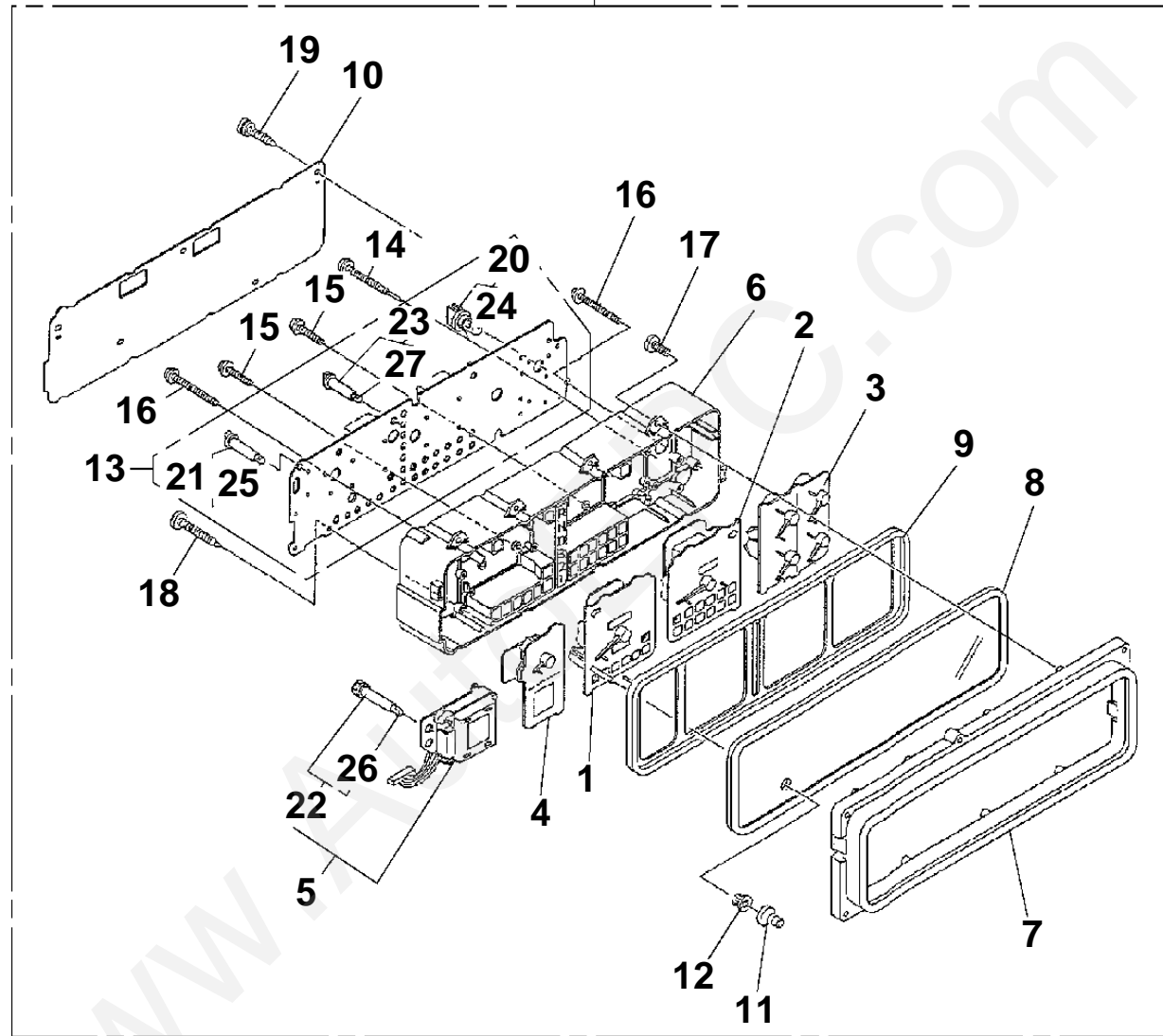
Pos No.	Parts No	Parts Name	Qty	Unit	Technical Data	Serial No (Start)	Serial No (End)	Remarks	Pages
2	44960012000	BUZZER ASSY	1						
3	90186208014	BOLT,FLANGE	1		M8X14				
4	90280200800	NUT,FLANGE	5		M8				
7	36180030000	SENSOR,SPEED	1						
8	34930973000	LAMP,COMBINATION (R)	1						
9	34930974000	LAMP,COMBINATION (L)	1						
10	82100002563	LAMP,LICENSE	1						
11	90155210030	BOLT,WELD	3		M10X30				
12	90280201000	NUT,FLANGE	6		M10				
13	90302041001	WASHER,SPRING	2		10				
14	34650001301	CABLE (BATTERY)	1		L=400				
15	37002708190	CABLE (BATTERY- BATTERY RERAY)	1						
16	34930390300	CABLE (BATTERY EARTH)	1						
17	36681880000	SENDER,THERMO(WATER)	1						
20	90186210020	BOLT,FLANGE	2		M10X20				
21	90101210012	BOLT	2		M10X12				
22	36180150000	SENDER,PRESSURE	1						
23	91062014011	O-RING	1		1B				
25	90186206014	BOLT,FLANGE	3		M6X14				
27	34930400200	RELAY (FOR HEAD LAMP)	1						
28	34930430101	SUPPORT	1						
30	90101205014	BOLT	4		M5X14				
32	90302040501	WASHER,SPRING	16		5				
33	34930704000	LAMP (COMBINATION)	2						000191
34	90201200500	NUT	4		M5				
35	34930573000	LAMP,HEAD	2						
36	33430162080	CABLE (STARTER MOTOR)	1						
37	34930680500	COVER	2						
39	90186206010	BOLT,FLANGE	2		M6X10				
40	82100000711	CLAMP	1						
41	34930682101	SUPPORT	1				FD1128		
	34930682102	SUPPORT	1			FD1129			
42	(*****)	RELAY ASSY	1						000194
43	34930390800	CABLE (ALTERNATOR)	1						
46	37002708770	CABLE (BATTERY RELAY-STARTER MOTOR)	1						
47	90303070601	WASHER,PLAIN	1		6				
48	90155208030	BOLT,WELD	3		M8X30				
49	82100002002	CLAMP	20		WR6				
50	90303070801	WASHER,PLAIN	1		8				
51	82100002006	CLAMP	10		WR10		FD1191		
	82100002006	CLAMP	11		WR10	FD1192			
52	82100002008	CLAMP	16		WR12				
53	82100002010	CLAMP	30		WR15				
54	82100002014	CLAMP	8		WR20				
55	82100002016	CLAMP	10		WR25				
56	82100002018	CLAMP	19		WR35				
57	90280200600	NUT,FLANGE	N		M6				
58	90155306015	BOLT,WELD	N		M6X15				
59	90102206070	BOLT	2						
60	90303070501	WASHER,PLAIN	12		5				
61	80172805012	SCREW,MACHINE	12		M5X12				
62	82100002037	CLAMP	4		WE10				
63	82100002009	CLAMP	2		WRC12	FD0951			
65	34930680202	HARNESS (AIR)	1						
66	34930680171	HARNESS (MAIN)	1						
67	34930270700	SWITCH ASSY	1						

GR-120N-1-00111 12T,X,WINCH(W/O FREE-FALL),JIB(PT)

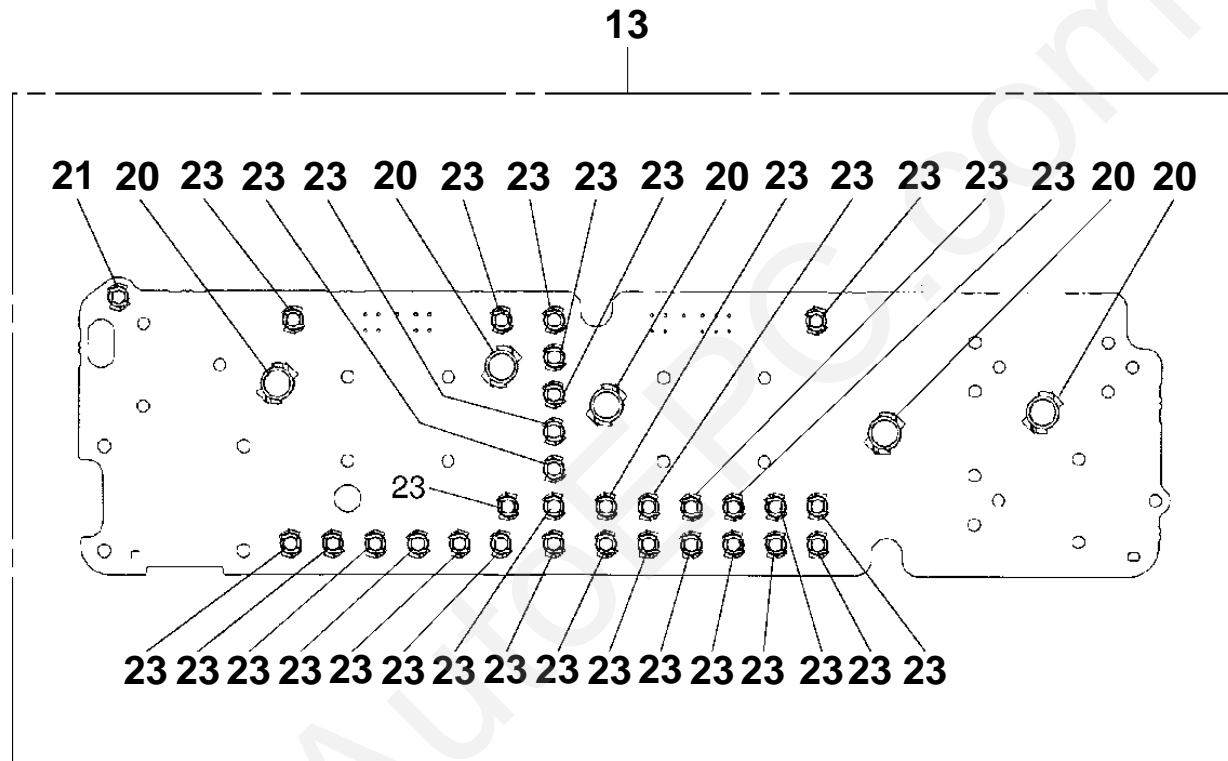
Pos No.	Parts No	Parts Name	Qty	Unit	Technical Data	Serial No (Start)	Serial No (End)	Remarks	Pages
68	91810132530	FASTENER	8						
69	34930680302	HARNESS (FOR ELECTRONIC GOVERNOR)	1						
70	80172305040	SCREW,MACHINE	4		M5X40				
71	82183901010	CONDENSER	1						
72	82100001801	TUBE,CORRUGATE	1	M	7				
73	34930704500	LAMP,TURN SIGNAL (R)	1						
74	34930705000	LAMP,TURN SIGNAL (L)	1						
75	90155306050	BOLT,WELD	3		M6X50				
76	34930680401	HARNESS (SUB)	1						
77	37000604250	CLAMP	14						
78	80172304016	SCREW,MACHINE	4		M4X16				
79	90303070401	WASHER,PLAIN	4		4				
121	34960117510	KEY (FOR SENSOR)	1						
131	34930973100	LAMP (COMBINATION,R)	1						000189
132	34930973200	HARNESS	2						000095
133	82166200010	BULB,LAMP	6		24V 21W		FD1883		
134	82166200030	BULB,LAMP	2		24V 10W		FD1882		
	82166300100	BULB,LAMP	2		24V 10W	FD1883			
135	91810130250	FASTENER	2				FD1006		
	91810130250	FASTENER	6			FD1007			
141	34930974100	LAMP (COMBINATION,L)	1						000190
143	82166300210	BULB,LAMP (KOITO)	2		24V 21W				
	82166300210	BULB,LAMP (KOITO)	6		24V 21W	FD1884			
151	82100000783	BULB,LAMP	1		24V 12W				
162	34930682201	COVER	1						
163	34930682300	RELAY ASSY (LOWER)	1						000192
164	34930682400	PLATE	1						
165	34930662501	COVER	1						
166	80182306012	SCREW,MACHINE	15		M6X12		FD1565		
167	90302040601	WASHER,SPRING	15		6		FD1565		
168	90303070601	WASHER,PLAIN	15		6		FD1565		
172	90186208014	BOLT,FLANGE	11		M8X14				
173	90280200800	NUT,FLANGE	1		M8				
174	37000600120	CLAMP	1		45				
175	82100002002	CLAMP	1		WR6				
181	36361122030	CONTROL UNIT (ECU)	1						
182	36361122040	CONTROL UNIT (EDU)	1						
183	36361112060	RESISTANCE	1			FD0135			
201	34930577510	LAMP ASSY (NO.1)	2		24V 70W				
202	34930577520	LAMP ASSY (NO.2)	2		24V 75/70W				
203	34930397590	BOLT SET	4						
204	34930397580	RING,RETAINING	4						
210	82400000205	GROMMET	1	M					
231	34930707520	LENS	1						
241	34930707530	LENS	1						
271	34460747120	BULB,LAMP	2		24V 70W				
281	34460747110	BULB,LAMP	2		24V 70/75W				
294	82400000201	GROMMET	1		KG-016				
306	80192486012	SCREW,MACHINE	15		M6X12	FD1566			

GR-120N-1-00111 12T,X,WINCH(W/O FREE-FALL),JIB(P
PN1040009-00 METER,COMBINATION

50



**GR-120N-1-00111 12T,X,WINCH(W/O FREE-FALL),JIB(PT)
PN1040009-00 METER,COMBINATION**

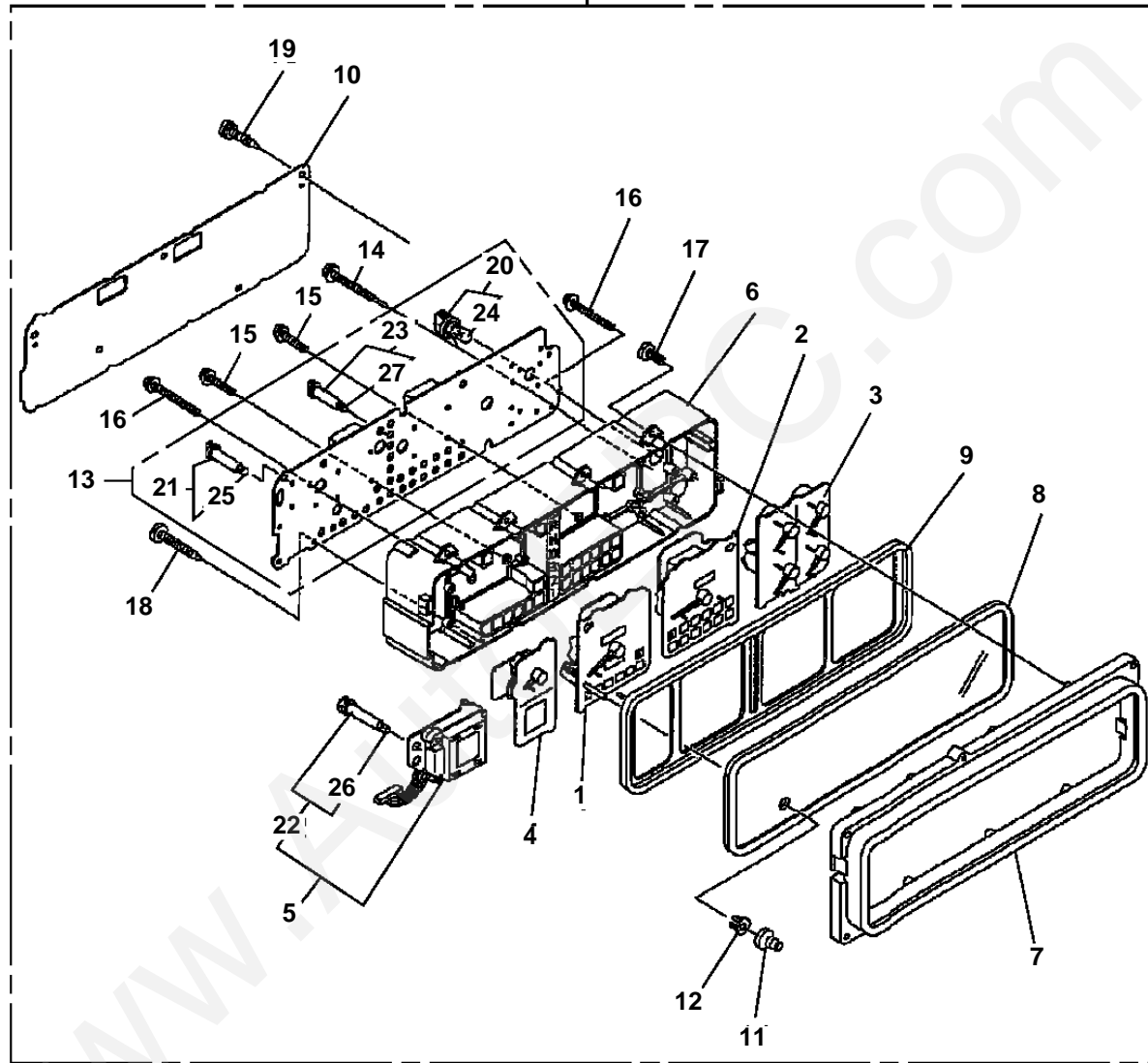


GR-120N-1-00111 12T,X,WINCH(W/O FREE-FALL),JIB(PT)

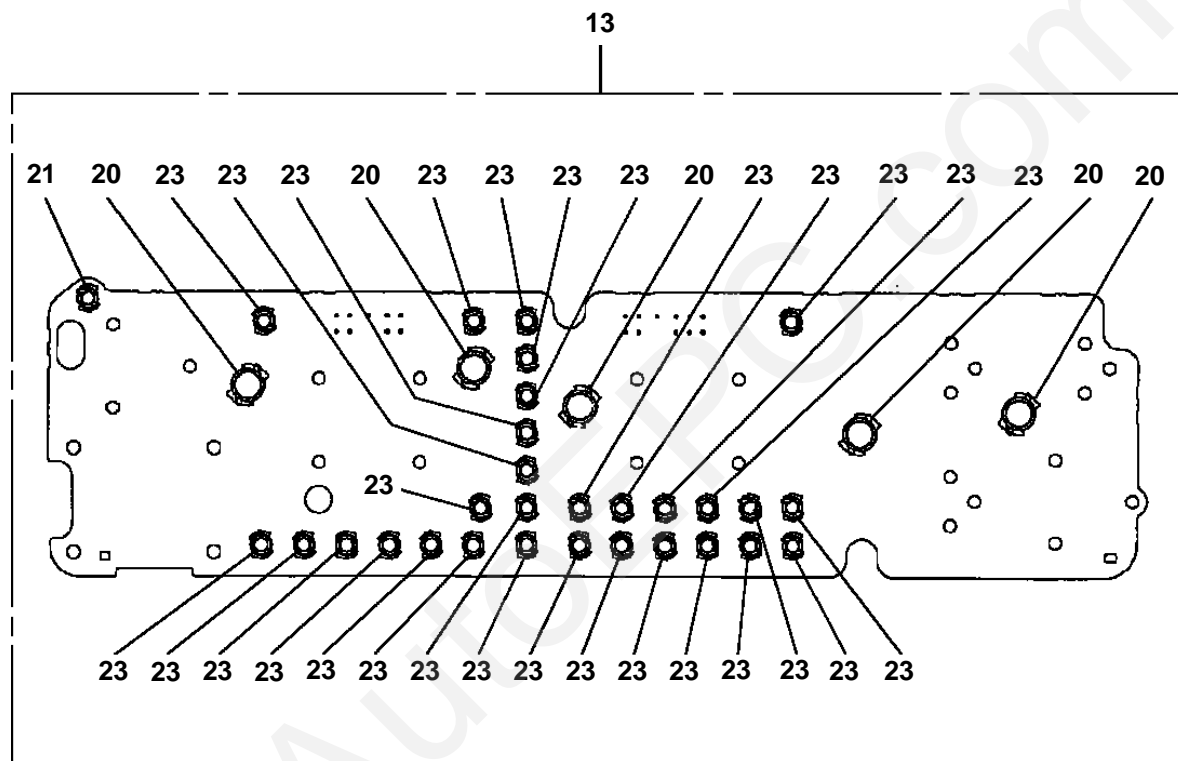
Pos No.	Parts No	Parts Name	Qty	Unit	Technical Data	Serial No (Start)	Serial No (End)	Remarks	Pages
1	36683245010	SPEEDOMETER	1						
2	36683395020	TACHOMETER ASSY	1						
3	36681875031	GAUGE ASSY (COMBINATION)	1						
4	36681875040	GAUGE,AIR PRESSURE	1						
5	36681875050	COMPUTER ASSY	1						
6	36681875060	CASE ASSY	1						
7	36681875070	HOOD (METER)	1						
8	36681875080	GLASS (W/PACKING)	1						
9	36681875090	PLATE	1						
10	36681875100	CASE (LWR)	1						
11	36681875110	GROMMET	1						
12	36681875120	COLLAR	1						
13	36683405060	CIRCUIT ASSY	1						
14	36681875140	SCREW,TAPPING	9		M3				
15	36681875150	SCREW	8		M3				
16	36681875160	SCREW	6		M3				
17	36681875170	SCREW,TAPPING	8		M4				
18	36681875180	SCREW,TAPPING	4		M4				
19	36681875190	SCREW,TAPPING	5		M4				
20	36681875200	SOCKET ASSY (SUB)	5						
21	36681875210	SOCKET ASSY (SUB)	1						
22	36681875220	SOCKET ASSY (SUB)	2						
23	36683395010	SOCKET ASSY	29						
24	36681875230	BULB,LAMP (SUB,GREEN)	5						
25	36681875240	BULB,LAMP (SUB,GREEN)	1						
26	36681875250	BULB,LAMP (FOR DOT MATRIX)	2						
27	36681875260	BULB,LAMP (FOR INDICATOR)	29						
50	36683390000	METER,COMBINATION	1						

GR-120N-1-00111 12T,X,WINCH(W/O FREE-FALL),JIB(P
PN1040019-00 METER,COMBINATION

100



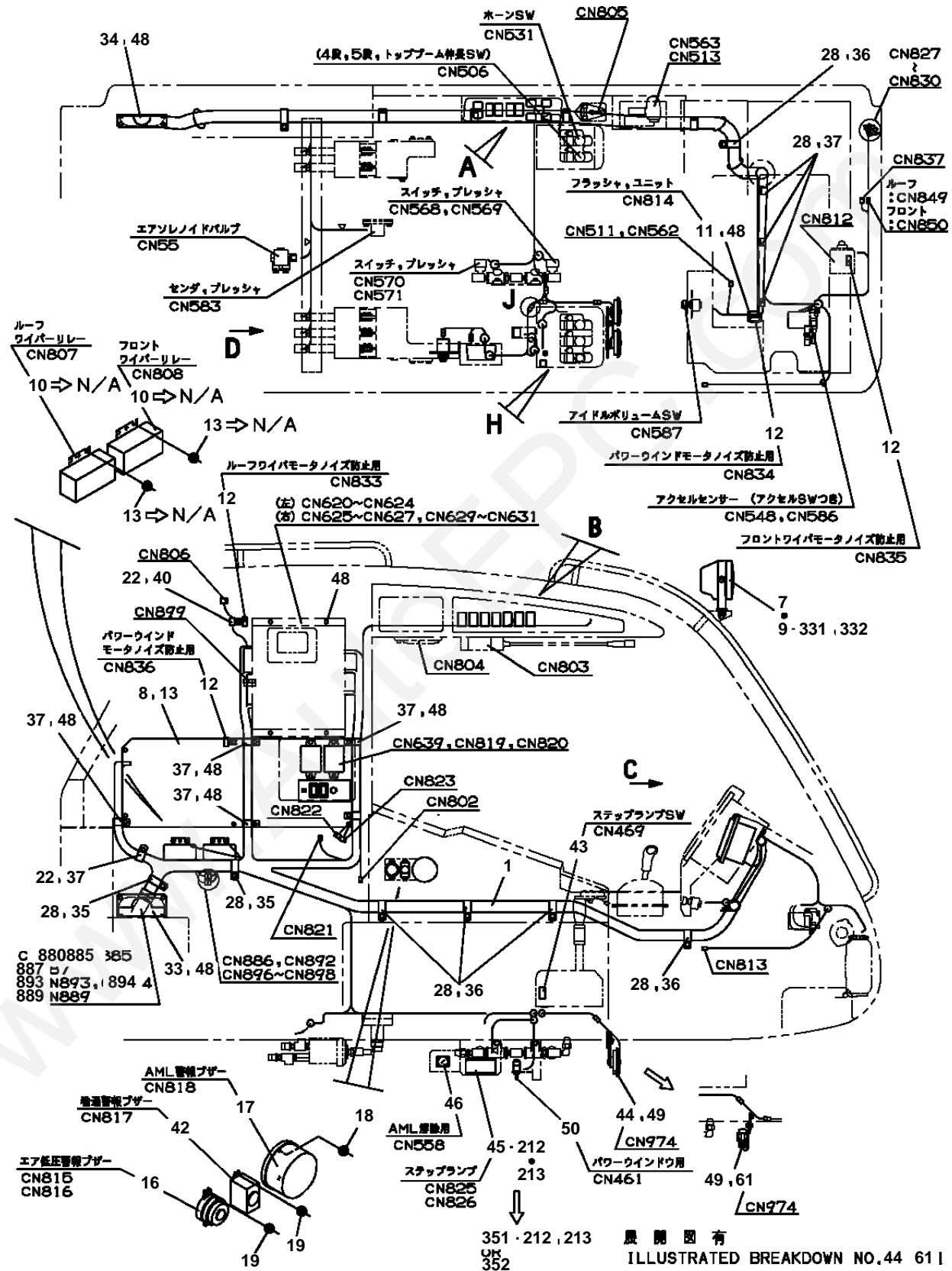
GR-120N-1-00111 12T,X,WINCH(W/O FREE-FALL),JIB(PT)
PN1040019-00 METER,COMBINATION



GR-120N-1-00111 12T,X,WINCH(W/O FREE-FALL),JIB(PT)

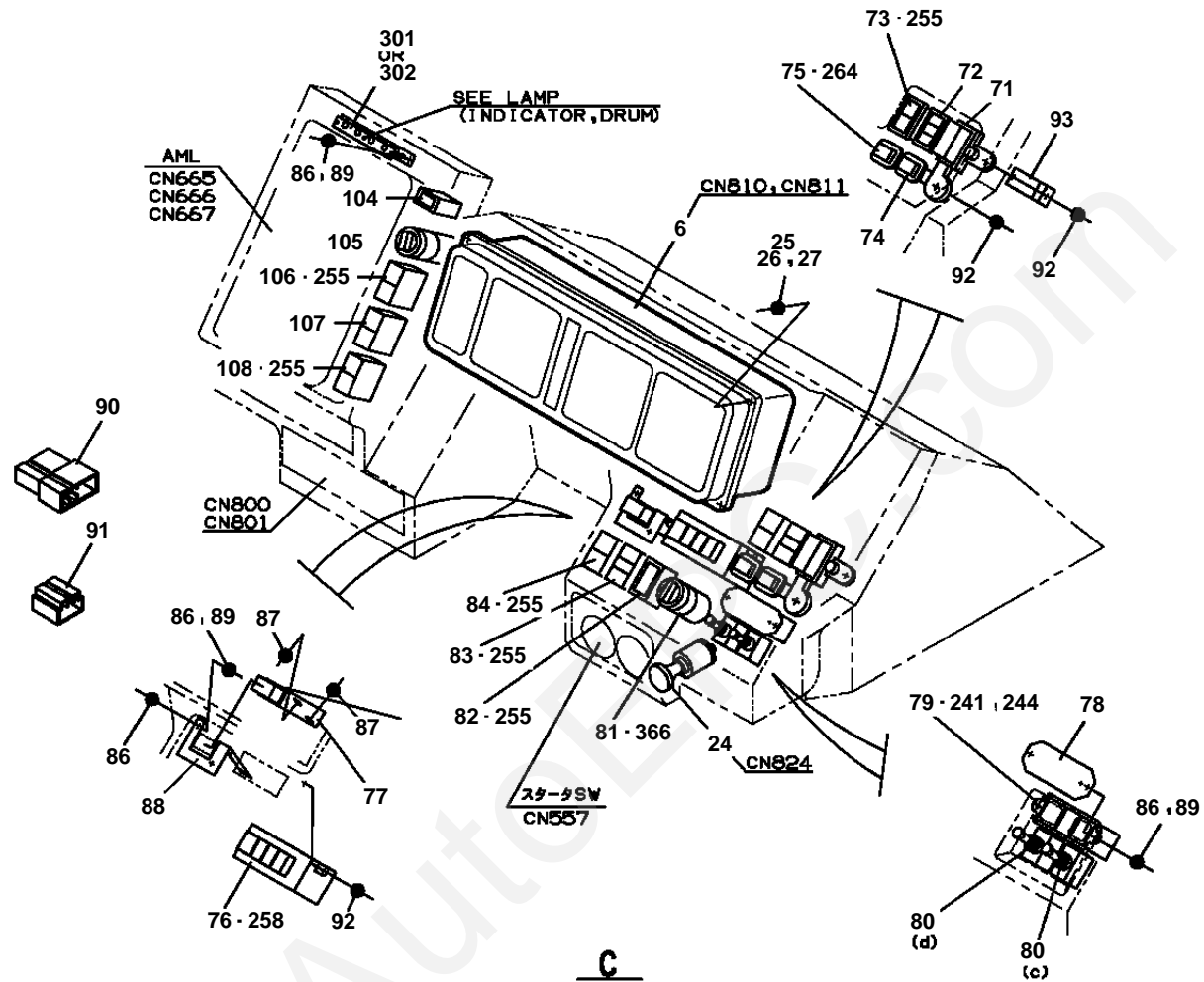
Pos No.	Parts No	Parts Name	Qty	Unit	Technical Data	Serial No (Start)	Serial No (End)	Remarks	Pages
1	36683245011	SPEEDOMETER	1						
2	36683395021	TACHOMETER ASSY	1						
3	36681875031	GAUGE ASSY (COMBINATION)	1						
4	36681875040	GAUGE,AIR PRESSURE	1						
5	36681875050	COMPUTER ASSY	1						
6	36683185030	CASE ASSY	1						
7	36681875070	HOOD (METER)	1						
8	36681875080	GLASS (W/PACKING)	1						
9	36681875090	PLATE	1						
10	36681875100	CASE (LWR)	1						
11	36681875110	GROMMET	1						
12	36681875120	COLLAR	1						
13	36683405060	CIRCUIT ASSY	1						
14	36681875140	SCREW,TAPPING	9		M3				
15	36681875150	SCREW	8		M3				
16	36681875160	SCREW	6		M3				
17	36681875170	SCREW,TAPPING	8		M4				
18	36681875180	SCREW,TAPPING	4		M4				
19	36681875190	SCREW,TAPPING	5		M4				
20	36681875200	SOCKET ASSY (SUB)	5						
21	36681875210	SOCKET ASSY (SUB)	1						
22	36681875220	SOCKET ASSY (SUB)	2						
23	36683395010	SOCKET ASSY	29						
24	36681875230	BULB,LAMP (SUB,GREEN)	5						
25	36681875240	BULB,LAMP (SUB,GREEN)	1						
26	36681875250	BULB,LAMP (FOR DOT MATRIX)	2						
27	36681875260	BULB,LAMP (FOR INDICATOR)	29						
100	36683390001	METER,COMBINATION	1						

GR-120N-1-00111 12T,X,WINCH(W/O FREE-FALL),JIB(P.T)
 PN1050186-04 ELECTRICAL PARTS,CAB



展開図有 ILLUSTRATED BREAKDOWN NO.44 611

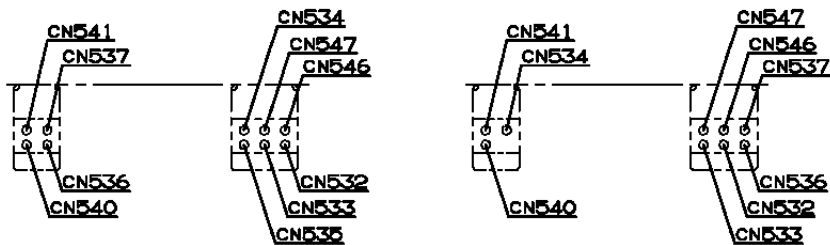
GR-120N-1-00111 12T,X,WINCH(W/O FREE-FALL),JIB(P.T)
 PN1050186-04 ELECTRICAL PARTS,CAB



71	パワーウインド	CN467
72	スプリングロック	CN478
73	スタアロック	CN496
74	キャップ	—
75	スタアロック,リリース	CN477
76	スタアモード	CN514
77	ハザード	CN494

79	高速巻下げ,インダクター	CN846
80 (c)	高速巻下げ,MAIN	CN559
80 (d)	高速巻下げ,AUX.	CN559
81	パーキング	CN510
82	ソフトモード	CN475
83	巻巻切換	CN476
84	巻スタア	CN473

104	非常巻通	CN505
105	P.T.O.	CN509
106	巻巻ブレーキ	CN484
107	巻巻停止	CN486
108	巻巻停止	CN491
301 OK 302	ドラムインダクター	CN380

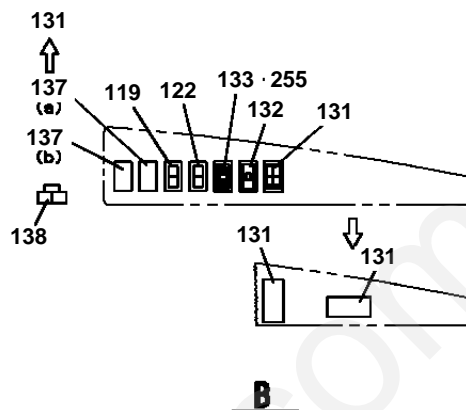
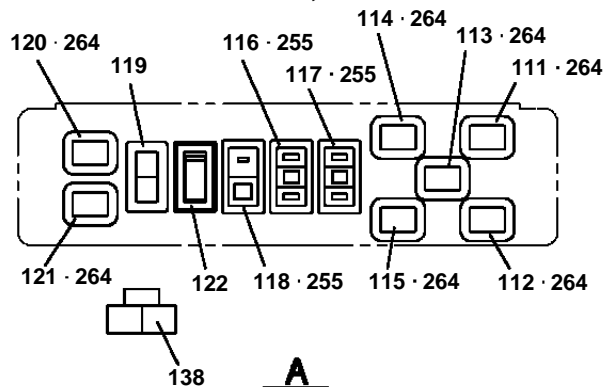


タダノ

ISO

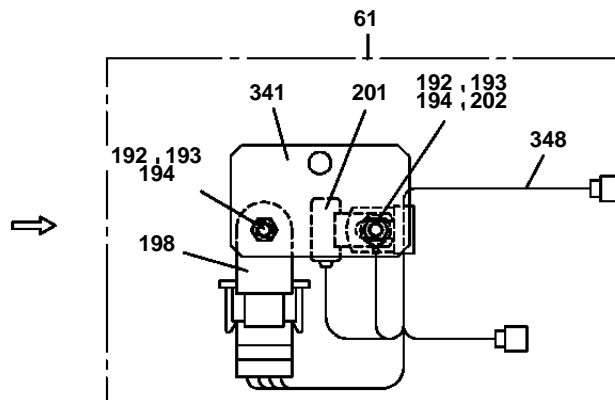
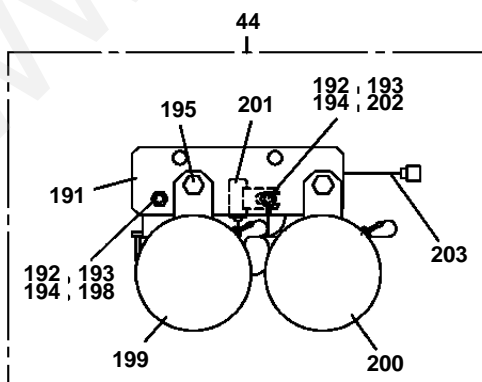
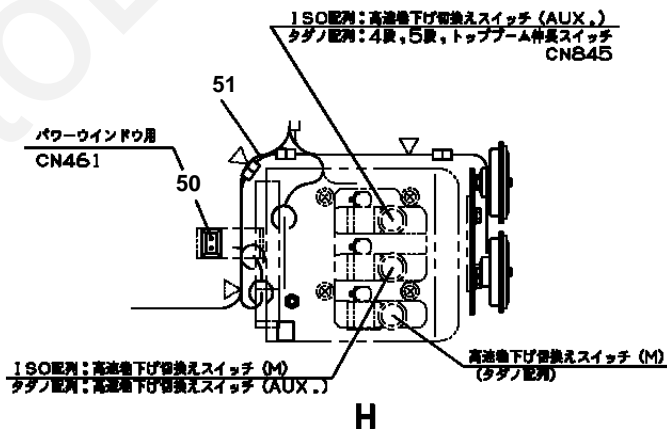
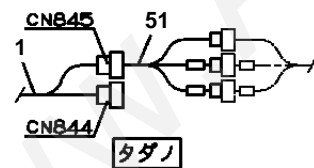
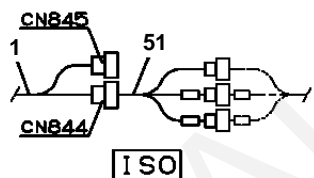
D
レバー配列

GR-120N-1-00111 12T,X,WINCH(W/O FREE-FALL),JIB(P.T)
 PN1050186-04 ELECTRICAL PARTS,CAB



111	O/R (FL)	CN499
112	O/R (FR)	CN500
113	O/R (ALL)	CN498
114	O/R (RL)	CN501
115	O/R (RR)	CN502
116	O/R (搬出/巻戻)	CN497
117	O/R (J/S切換)	CN480
118	作業灯	CN470
119	オイルクーラ	CN574
120	(4~6段ブーム非常停止)	CN503
121	(2,3段ブーム非常停止)	CN504
122	ジブ/吊籠切換	CN485

119	低騒音作業者	CN474
122	ドラムインジケータ (MAIN/AUX. 切換)	CN490
131	電磁送前ミラー	CN472
132	ルーフウォッシャ	CN495
133	ルーフワイパ	CN468
137 (a)	キャップ	—
137 (b)	キャップ	—



GR-120N-1-00111 12T,X,WINCH(W/O FREE-FALL),JIB(PT)

Pos No.	Parts No	Parts Name	Qty	Unit	Technical Data	Serial No (Start)	Serial No (End)	Remarks	Pages
1	34352801010	HARNESS	1				FD0564		
	34352801070	HARNESS (INNER CAB)	1			FD0565			
6	36683390000	METER,COMBINATION	1				FD1202		000185
	36683390001	METER,COMBINATION	1			FD1203			000186
7	34352831600	HARNESS (WORKING EARTH)	1		L=150				
8	(*****)	RELAY ASSY (CAB)	1						000193
9	34352831700	LAMP	1		24V 70W				
10	82100001883	RELAY (INTERMIT WIPER)	2				FD0885		
11	82100002311	RELAY (FLASHER UNIT)	1						
12	82183901010	CONDENSER	4						
13	99172106012	BOLT,TAPPING	9		M6X12		FD0885		
	99172106012	BOLT,TAPPING	5		M6X12	FD0886			
16	34351490300	BUZZER ASSY (WITH HARNESS)	1						
17	34352181600	BUZZER ASSY	1						
18	80175304010	SCREW,MACHINE	2		M4X10				
19	80192484010	SCREW,MACHINE	4		M4X10				
22	90280200600	NUT,FLANGE	2		M6				
24	82100001882	LIGHTER,CIGARETTE	1						
25	80172305020	SCREW,MACHINE	6		M5X20				
26	90302040501	WASHER,SPRING	6		5				
27	90303070501	WASHER,PLAIN	6		5				
28	90280200800	NUT,FLANGE	10		M8				
33	34352061600	COVER	1						
34	34352061700	COVER	1						
35	82100002019	CLAMP	2		WR40				
36	82100002017	CLAMP	5		WR30				
37	82100002016	CLAMP	9		WR25				
40	82100002006	CLAMP	1		WR10				
42	34350850530	BUZZER ASSY (WITH HARNESS)	1						
43	34352061050	SWITCH ASSY (WITH CONNECTOR)	1						
44	34352061900	HORN ASSY	1				FD0511		
45	34351961800	LAMP	1		12W				
46	34351963900	SWITCH ASSY	1				FD1026		
	34352801200	SWITCH ASSY	1			FD1027			
48	99172106016	BOLT,TAPPING	14		M6X16				
49	99172108020	BOLT,TAPPING	2		M8X20		FD0511		
	99172108020	BOLT,TAPPING	1		M8X20	FD0512			
50	42433932200	SWITCH ASSY (WITH HARNESS,1 SW)	1						
51	34352801060	HARNESS	1						
61	34352801600	RELAY ASSY	1			FD0512			
71	34352061110	SWITCH,ROCKER (ASSY ONLY)	1						
72	34352061120	SWITCH,ROCKER	1						
73	34351961140	SWITCH,ROCKER	1						
74	34352061160	CAP	1						
75	34351961180	SWITCH,PUSH	1						
76	34351961150	SWITCH,ROCKER	1						
77	34351961160	SWITCH (HAZARD)	1						
78	34352831110	PLATE,NAME	1						
79	34351901100	LAMP,PILOT	1						
80	34352061140	SWITCH ASSY	2						
81	34351841100	SWITCH ASSY	1						
82	34352061130	SWITCH,ROCKER	1						
83	34351961190	SWITCH,ROCKER	1						
84	34351961200	SWITCH,ROCKER	1						
86	90303070401	WASHER,PLAIN	8		4				
87	80192484012	SCREW,MACHINE (WITH WASHER)	2		M4X12				

GR-120N-1-00111 12T,X,WINCH(W/O FREE-FALL),JIB(PT)

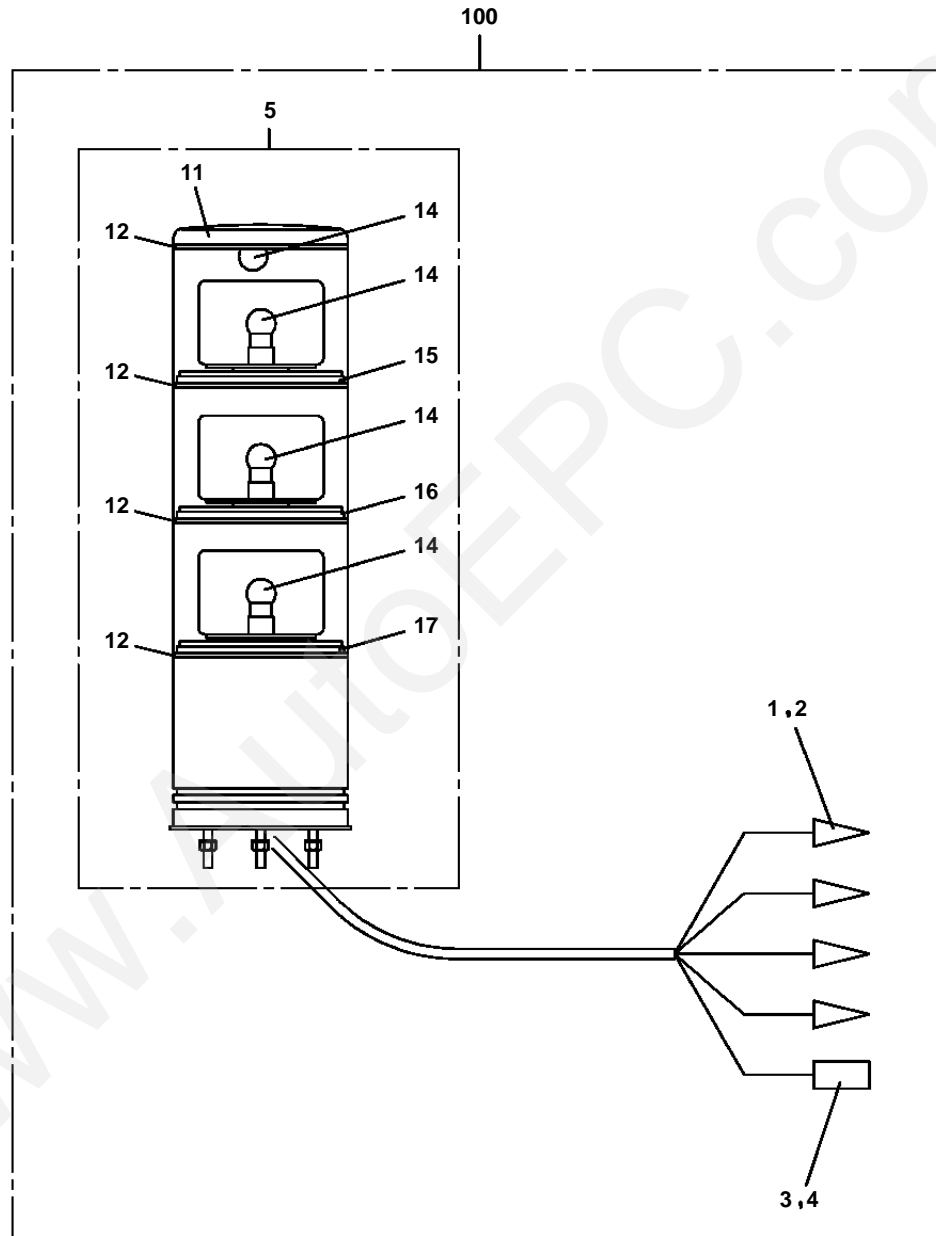
Pos No.	Parts No	Parts Name	Qty	Unit	Technical Data	Serial No (Start)	Serial No (End)	Remarks	Pages
88	34351961210	SUPPORT	1						
89	90925040101	SCREW,TAPPING	6		M4X10				
90	82100002267	CONNECTOR	1						
91	82100002263	CONNECTOR	1						
92	90982040160	SCREW,TAPPING	5						
93	34352061180	SUPPORT	1						
104	34351961330	SWITCH,PUSH	1						
105	34352061220	SWITCH ASSY	1						
106	34351961340	SWITCH,ROCKER	1						
107	34352081320	SWITCH,ROCKER	1						
108	34352831210	SWITCH,ROCKER	1						
111	34351961410	SWITCH,PUSH (FRONT,LEFT)	1						
112	34351961420	SWITCH,PUSH (FRONT,RIGHT)	1						
113	34351961430	SWITCH,PUSH	1						
114	34351961440	SWITCH,PUSH (REAR,LEFT)	1						
115	34351961450	SWITCH,PUSH (REAR,RIGHT)	1						
116	34351961460	SWITCH,ROCKER	1						
117	34351961470	SWITCH,ROCKER	1						
118	34351961310	SWITCH,ROCKER	1						
119	34352061050	SWITCH ASSY (WITH CONNECTOR)	2						
120	34352061320	SWITCH,PUSH	1						
121	34352061310	SWITCH,PUSH	1						
122	34352081330	SWITCH ASSY	2						
131	34352081410	SWITCH ASSY	1						
	34352811410	PLATE,NAME	1			FD0498	FD0497		
	34352811410	PLATE,NAME	3			FD0784	FD0783		
132	34351961610	SWITCH,PUSH	1						
133	34351961620	SWITCH,ROCKER	1						
137	34352061410	CAP	2						
	34352061410	CAP	1			FD0784	FD0783		
138	82100002261	CONNECTOR (2POLES,MALE)	2						
191	34352061911	PLATE	1						FD0511
192	90101206020	BOLT	2		M6X20				
193	90302040601	WASHER,SPRING	2		6				
194	90303070601	WASHER,PLAIN	2		6				
195	99172108020	BOLT,TAPPING	2		M8X20				FD0511
198	82100002697	RELAY (HORN)	1						
199	82100002600	HORN (HIGH PITCH)	1						FD0511
200	34352802400	HORN (LOW PITCH)	1						FD0511
201	82183901010	CONDENSER	1						
202	82100002001	CLAMP	1		WR5				
203	34352061920	HARNESS	1						FD0511
212	82100000783	BULB,LAMP	1		24V 12W				
213	34351967510	LENS (TRANSPARENT)	1						
241	34351907510	CASE	1						
244	34351907520	LAMP	3		24V 3W				
255	34351967530	BULB,LAMP	12		28V 1.12W				
258	34351967540	LAMP (SOCKET)	2		28V/1.8W				
264	34351967520	BULB,LAMP	8		28V 0.67W				
301	34478041000	LAMP (INDICATOR,DRUM)(FAMOTH)	1						000347
302	34478042100	LAMP (INDICATOR,DRUM)(SIC)	1						000348
331	82100002873	BULB,LAMP	1		24V 70W				
332	34352837530	LENS	1						
341	34352801620	PLATE	1			FD0512			
348	34352801610	HARNESS	1			FD0512			000091
366	82100002307	COVER	1						

GR-120N-1-00111 12T,X,WINCH(W/O FREE-FALL),JIB(PT)

Pos No.	Parts No	Parts Name	Qty	Unit	Technical Data	Serial No (Start)	Serial No (End)	Remarks	Pages
366	82100002307	COVER	1				FD1026		

www.AutoEPC.com

GR-120N-1-00111 12T,X,WINCH(W/O FREE-FALL),JIB(PT)
PN1080161-03 LAMP

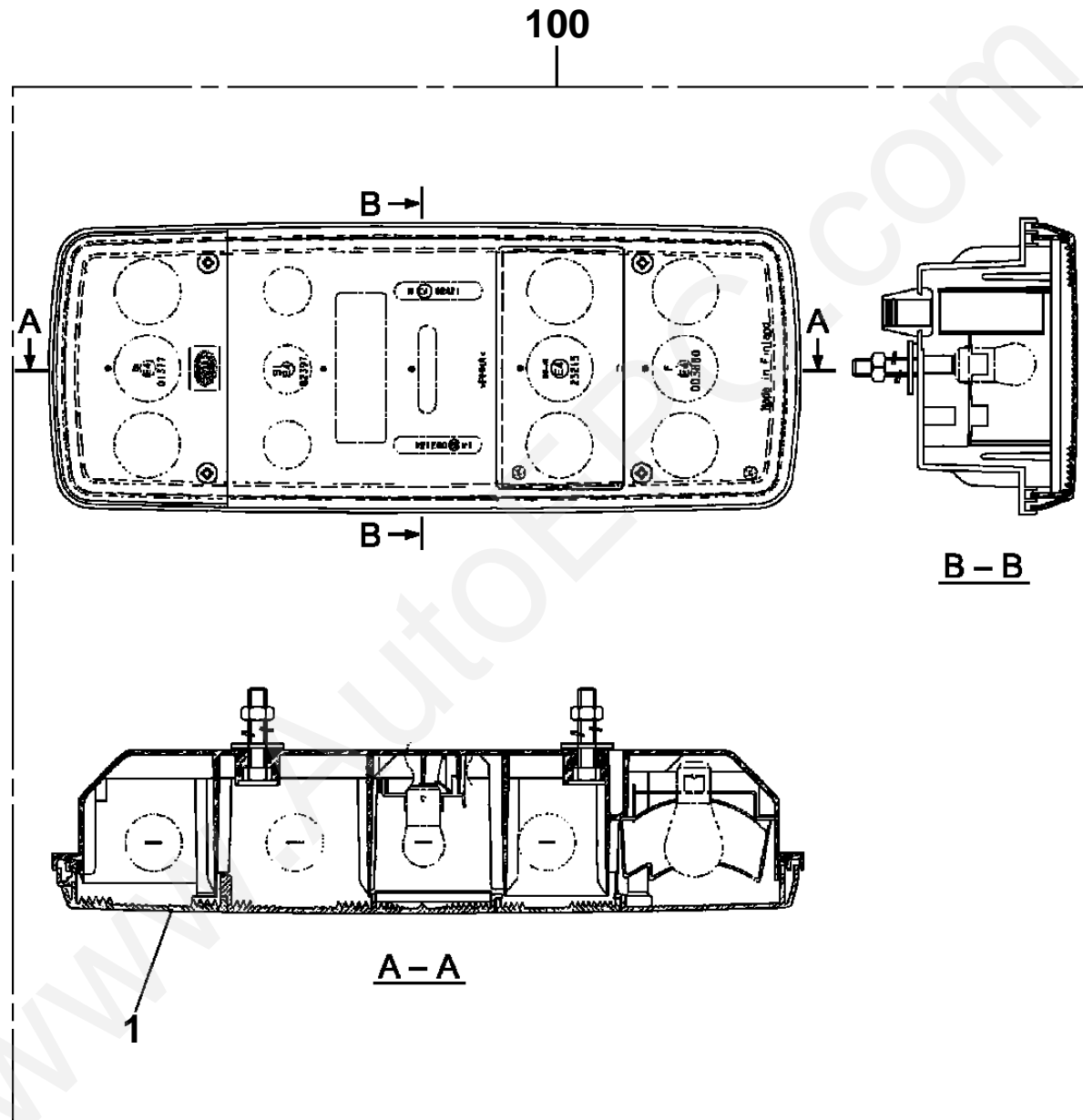


GR-120N-1-00111 12T,X,WINCH(W/O FREE-FALL),JIB(PT)

Pos No.	Parts No	Parts Name	Qty	Unit	Technical Data	Serial No (Start)	Serial No (End)	Remarks	Pages
1	82100000192	TERMINAL	4						
2	82100000182	INSULATOR	4						
3	82100000191	TERMINAL	1						
4	82100000183	INSULATOR	1						
5	34490091100	LAMP	1						
11	34490097580	COVER (TOP)	1						
12	34490097570	O-RING	4						
14	34490097520	BULB,LAMP	4		24V 10W				
15	34490097530	GLOBE (RED)	1						
16	34490097540	GLOBE (YELLOW)	1						
17	34490097550	GLOBE (GREEM)	1						
100	34490091000	LAMP	1						

www.AutoEPC.com

GR-120N-1-00111 12T,X,WINCH(W/O FREE-FALL),JIB(P
PN1080318-00 LAMP (COMBINATION,R)

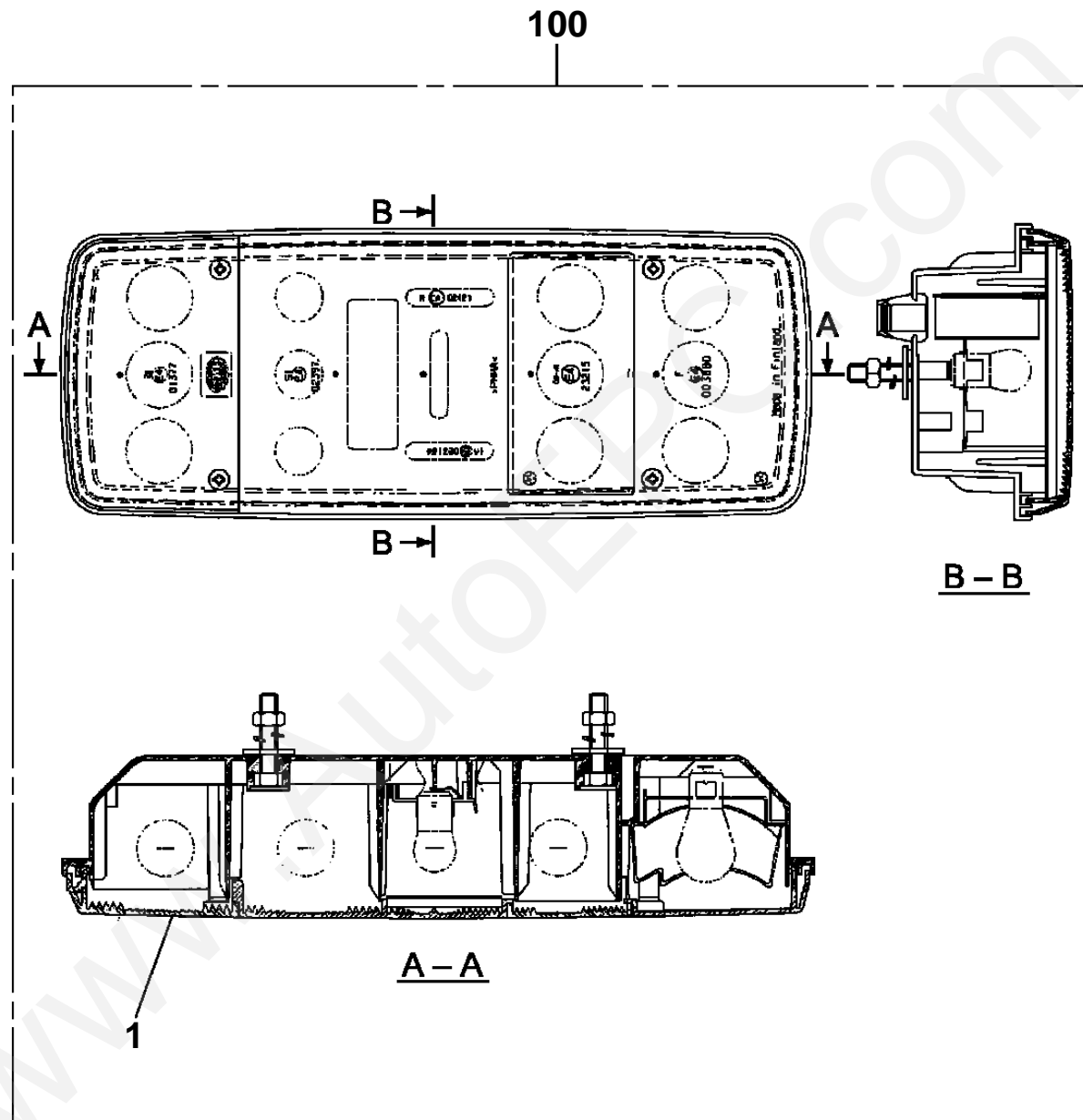


GR-120N-1-00111 12T,X,WINCH(W/O FREE-FALL),JIB(PT)

Pos No.	Parts No	Parts Name	Qty	Unit	Technical Data	Serial No (Start)	Serial No (End)	Remarks	Pages
1	34930977510	LENS	1						
100	34930973100	LAMP (COMBINATION,R)	1						

www.AutoEPC.com

GR-120N-1-00111 12T,X,WINCH(W/O FREE-FALL),JIB(P
PN1080319-00 LAMP (COMBINATION,L)

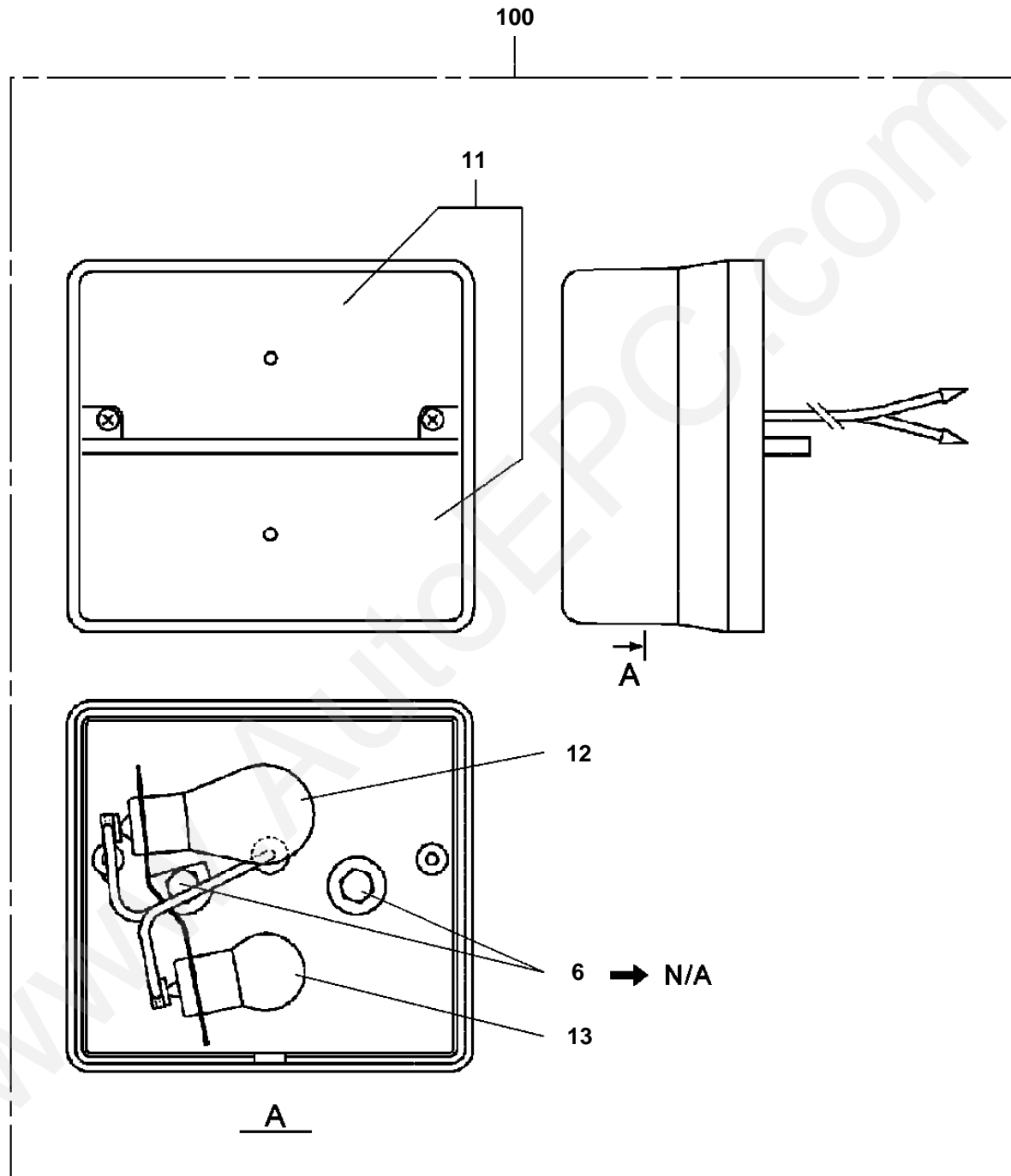


GR-120N-1-00111 12T,X,WINCH(W/O FREE-FALL),JIB(PT)

Pos No.	Parts No	Parts Name	Qty	Unit	Technical Data	Serial No (Start)	Serial No (End)	Remarks	Pages
1	34930977510	LENS	1						
100	34930974100	LAMP (COMBINATION,L)	1						

www.AutoEPC.com

GR-120N-1-00111 12T,X,WINCH(W/O FREE-FALL),JIB(P
PN1080431-01 LAMP (COMBINATION)



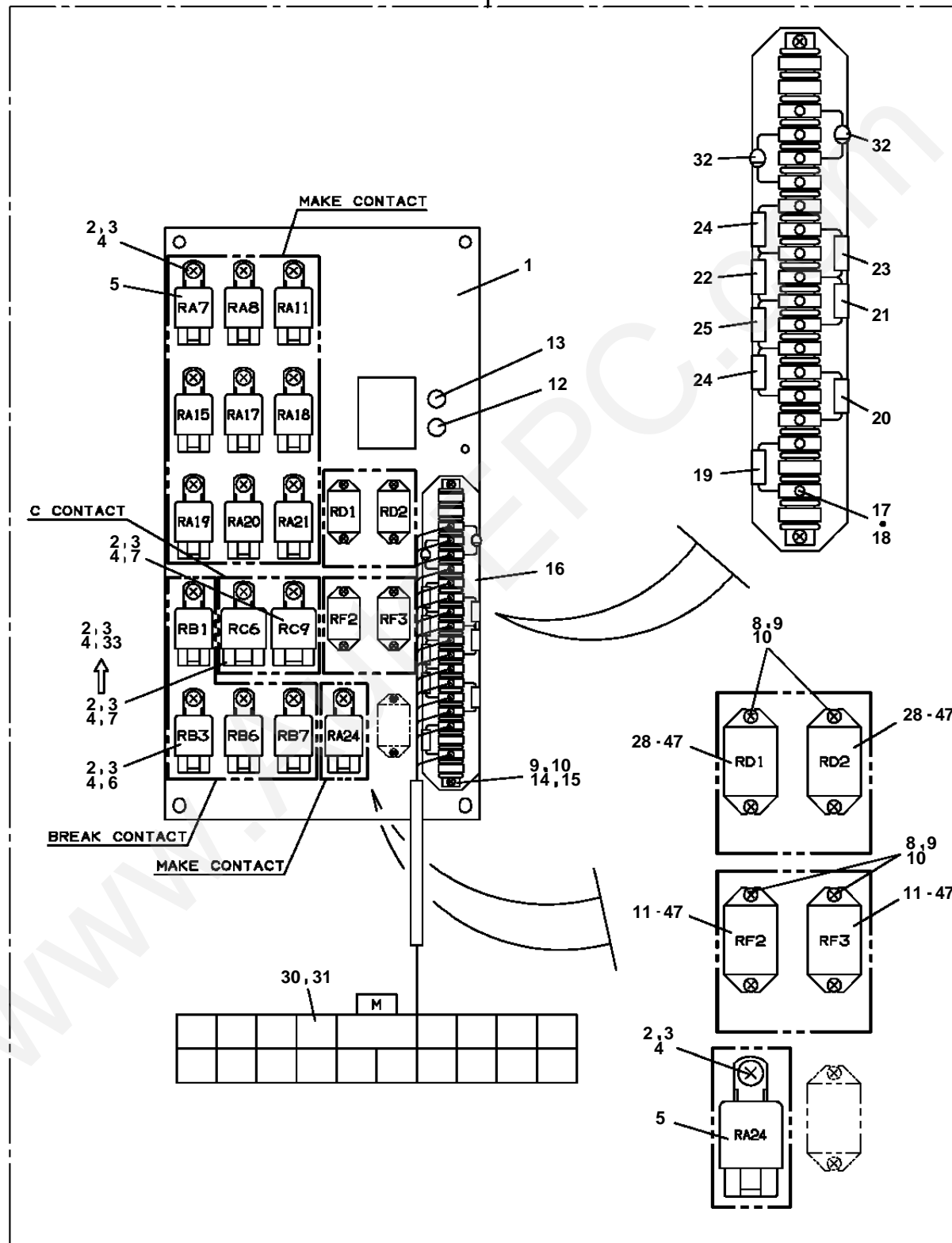
GR-120N-1-00111 12T,X,WINCH(W/O FREE-FALL),JIB(PT)

Pos No.	Parts No	Parts Name	Qty	Unit	Technical Data	Serial No (Start)	Serial No (End)	Remarks	Pages
6	90101205014	BOLT	2		M5X14				
11	34930707510	LENS	1						
12	34930707560	BULB,LAMP (24V21W)	1				FD1883		
	82166300210	BULB,LAMP (KOITO)	1		24V 21W	FD1884			
13	34930707570	BULB,LAMP (24V5W)	1				FD1883		
	82166300050	BULB,LAMP (KOITO)	1		24V 5W	FD1884			
100	34930704000	LAMP (COMBINATION)	1						

www.AutoEPC.com

GR-120N-1-00111 12T,X,WINCH(W/O FREE-FALL),JIB(PT)
 PN1110255-03 RELAY ASSY (LOWER)

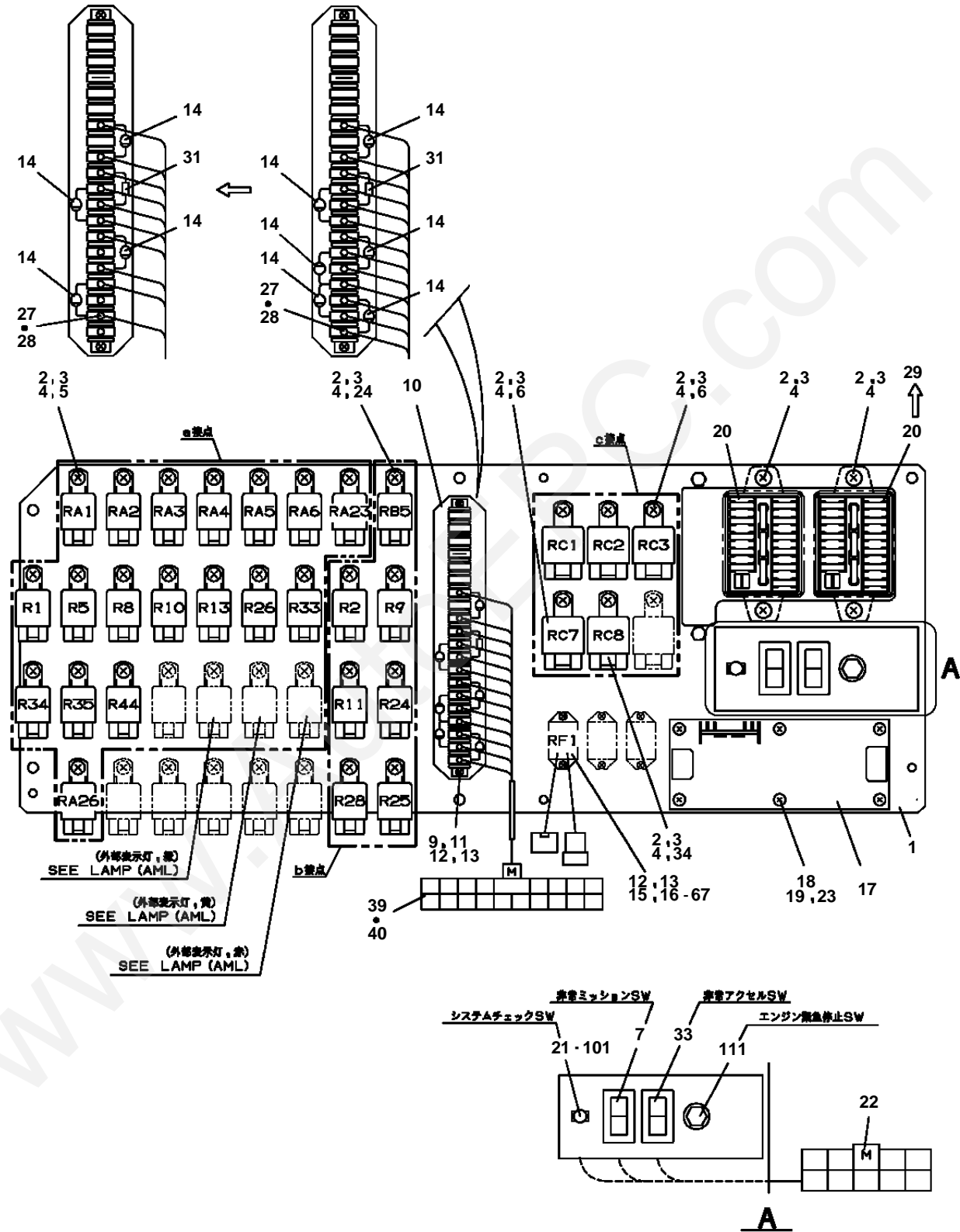
100



GR-120N-1-00111 12T,X,WINCH(W/O FREE-FALL),JIB(PT)

Pos No.	Parts No	Parts Name	Qty	Unit	Technical Data	Serial No (Start)	Serial No (End)	Remarks	Pages
1	34930682310	PLATE	1						
2	80182306012	SCREW,MACHINE	15		M6X12		FD0082		
	80182306012	SCREW,MACHINE	16		M6X12	FD0083			
3	90302040601	WASHER,SPRING	15		6		FD0082		
	90302040601	WASHER,SPRING	16		6	FD0083			
4	90303070601	WASHER,PLAIN	15		6		FD0082		
	90303070601	WASHER,PLAIN	16		6	FD0083			
5	82100002596	RELAY	9				FD0082		
	82100002596	RELAY	10			FD0083			
6	82100002597	RELAY	4						
7	82161201010	RELAY	2				FD0205		
	82161201010	RELAY	1			FD0206			
8	80172303008	SCREW,MACHINE	8		M3X8				
9	90302040301	WASHER,SPRING	10		3				
10	90303070301	WASHER,PLAIN	10		3				
11	34351571350	RELAY ASSY (WITH CONNECTOR)	2						
12	44320491040	LAMP ASSY	1						
13	44320491010	LAMP ASSY (RED)	1						
14	82100001884	TERMINAL	1						
15	80172303016	SCREW,MACHINE	2		M3X16				
16	34350351500	PLATE	1						
17	82100001404	TERMINAL	16						
18	82100001219	SLEEVE	16						
19	82181201001	RESISTANCE	1		13 OHM,2W				
20	82181024271	RESISTANCE	1						
21	82181024511	RESISTANCE	1						
22	82100001852	RESISTANCE	1						
23	82181024821	RESISTANCE	1						
24	82100002361	RESISTANCE	2						
25	82100002313	RESISTANCE	1						
28	34351571340	RELAY ASSY	2						
30	82114214181	CONNECTOR (CAP)	1						
31	82111207051	TERMINAL (MAIL)	15						
32	82100001200	DIODE	2						
33	34930732500	RELAY ASSY	1			FD0206			
47	82100000266	DIODE	4						
100	34930682300	RELAY ASSY (LOWER)	1						

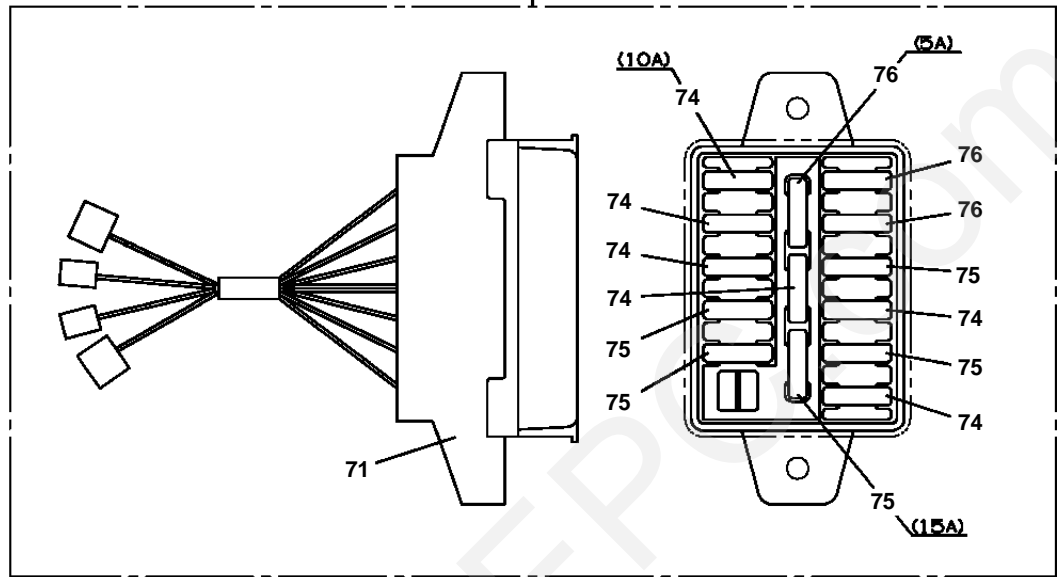
GR-120N-1-00111 12T,X,WINCH(W/O FREE-FALL),JIB(P.T)
 PN1110258-03 RELAY ASSY (CAB)



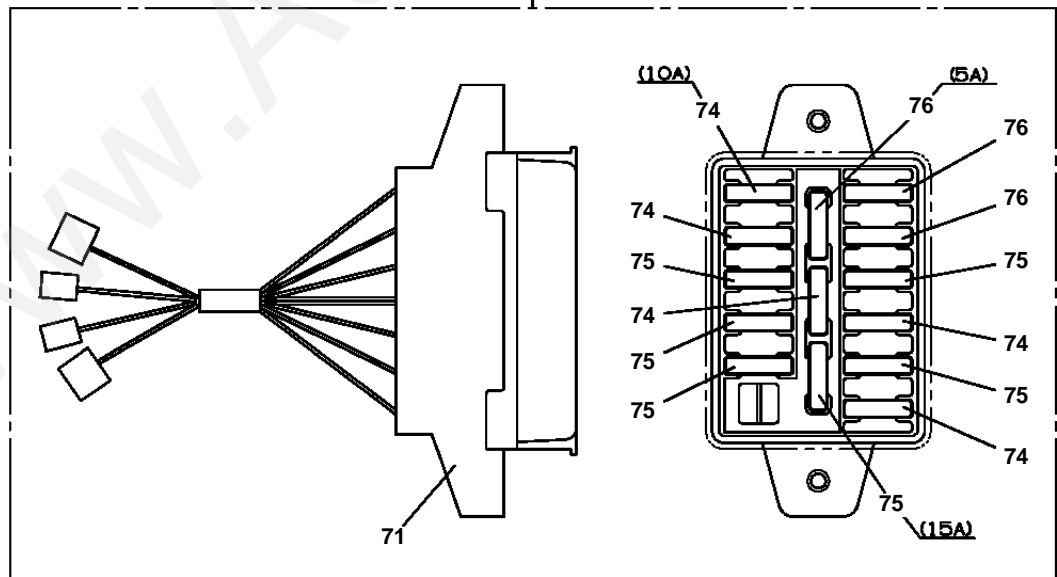
展開図有
 ILLUSTRATED BREAKDOWN NO. 20.297

GR-120N-1-00111 12T,X,WINCH(W/O FREE-FALL),JIB(P
PN1110258-03 RELAY ASSY (CAB)

20



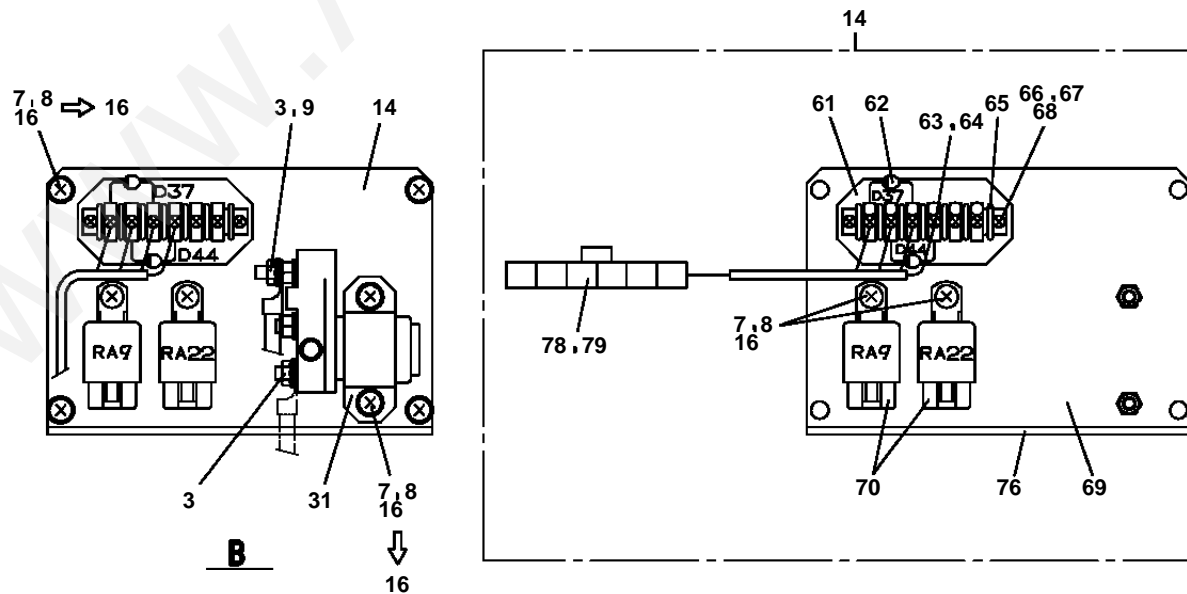
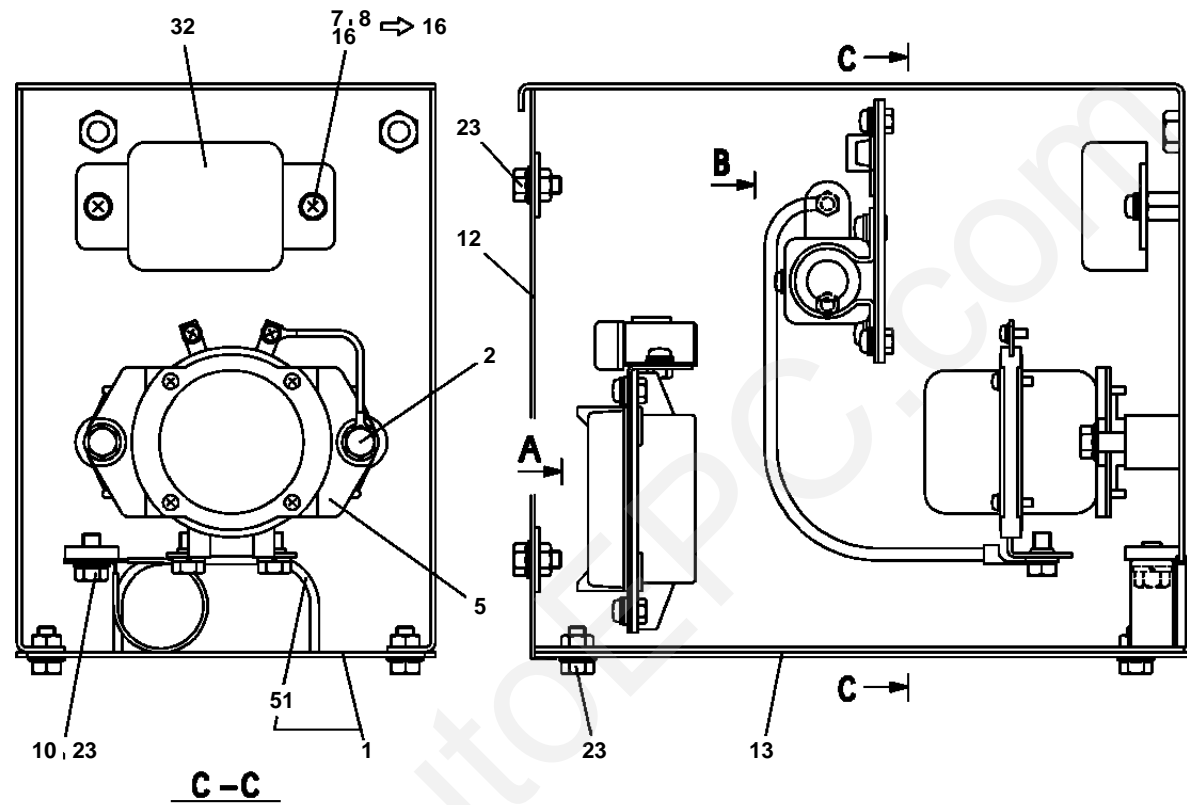
29



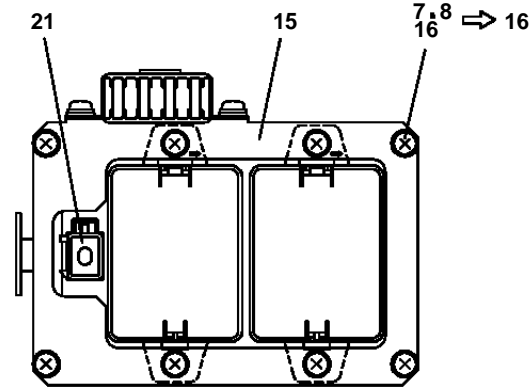
GR-120N-1-00111 12T,X,WINCH(W/O FREE-FALL),JIB(PT)

Pos No.	Parts No	Parts Name	Qty	Unit	Technical Data	Serial No (Start)	Serial No (End)	Remarks	Pages
1	34352831510	PLATE	1						
2	80182306010	SCREW,MACHINE	33		M6X10		FD0885		
	80182306010	SCREW,MACHINE	34		M6X10	FD0886			
3	90302040601	WASHER,SPRING	33		6		FD0885		
	90302040601	WASHER,SPRING	34		6	FD0886			
4	90303070601	WASHER,PLAIN	33		6		FD0885		
	90303070601	WASHER,PLAIN	34		6	FD0886			
5	82100002596	RELAY	17				FD0885		
	82100002596	RELAY	18			FD0886			
6	82161161125	RELAY	4						
7	34351961640	SWITCH ASSY	1						
9	82100001884	TERMINAL	1						
10	34350351500	PLATE	1						
11	80172303016	SCREW,MACHINE	2		M3X16				
12	90302040301	WASHER,SPRING	4		3				
13	90303070301	WASHER,PLAIN	4		3				
14	82100001200	DIODE	6				FD0885		
	82100001200	DIODE	4			FD0886			
15	80172303012	SCREW,MACHINE	2		M3X12				
16	34351571350	RELAY ASSY (WITH CONNECTOR)	1						
17	34351501100	CONVERTER (DC-DC)	1						
18	80172304020	SCREW,MACHINE	6		M4X20				
19	90302040401	WASHER,SPRING	6		4				
20	34352081520	BOX ASSY (FUSE)	2				FD0511		
	34352081520	BOX ASSY (FUSE)	1			FD0512			
21	34350851600	SWITCH ASSY	1						
22	82100002269	CONNECTOR	1						
23	90303100401	WASHER,PLAIN	6		4				
24	82100002597	RELAY	7						
27	82100001404	TERMINAL	13				FD0885		
	82100001404	TERMINAL	10			FD0886			
28	82100001219	SLEEVE	13				FD0885		
	82100001219	SLEEVE	10			FD0886			
29	34352801520	BOX ASSY (FUSE)	1			FD0512			
31	82181024152	RESISTANCE	1						
33	34477380500	SWITCH ASSY	1						
34	82161201010	RELAY	1						
39	82114214181	CONNECTOR (CAP)	1						
40	82111207051	TERMINAL (MAIL)	13				FD0885		
	82111207051	TERMINAL (MAIL)	10			FD0886			
67	82100000266	DIODE	1						
71	34351562510	BOX,FUSE	2				FD0511		
	34351562510	BOX,FUSE	2			FD0512			
74	82100001839	FUSE	12		10A.RED		FD0511		
	82100001839	FUSE	11		10A.RED	FD0512			
75	82100001840	FUSE	10		15A,BLUE		FD0511		
	82100001840	FUSE	11		15A,BLUE	FD0512			
76	82100001837	FUSE	6		5A		FD0511		
	82100001837	FUSE	6		5A	FD0512			
101	82199504073	BUTTON (RED)	1						
111	36361112030	SWITCH (ENGINE STOP)	1						

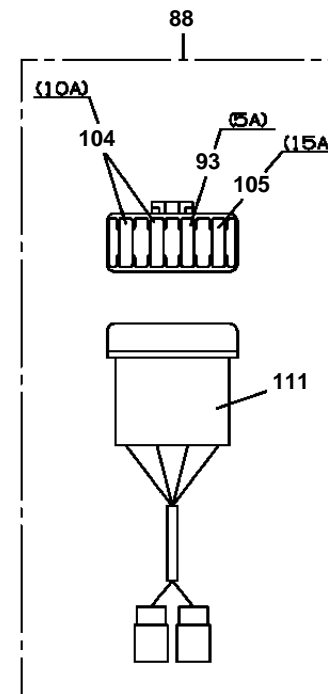
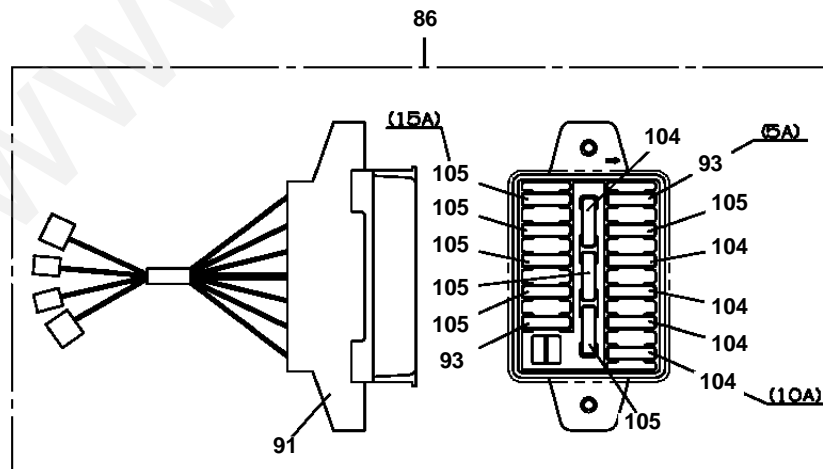
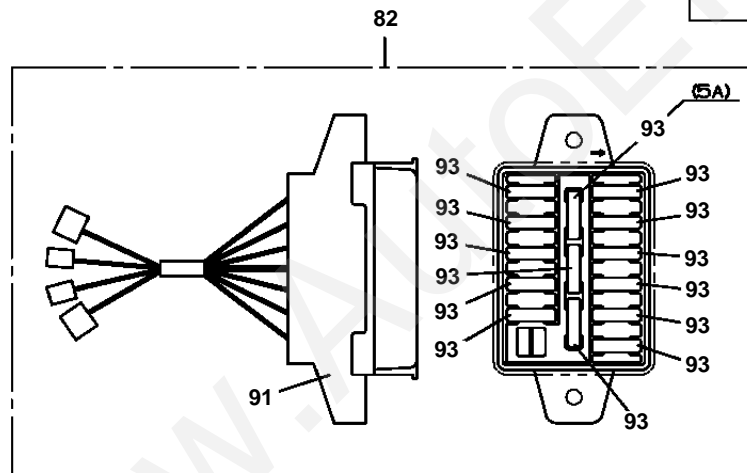
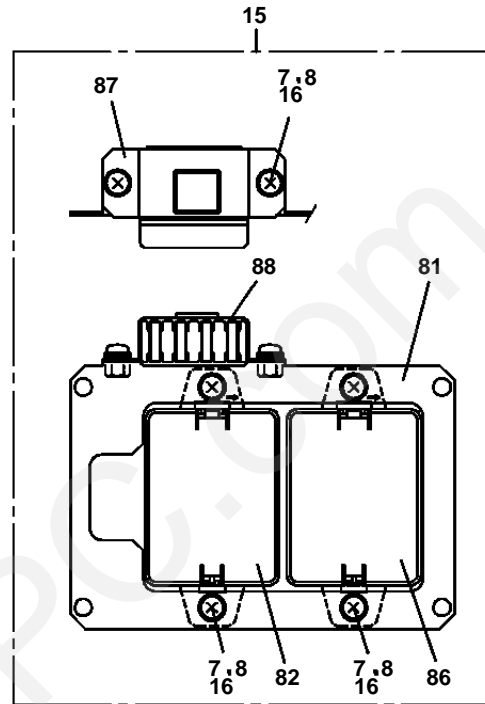
GR-120N-1-00111 12T,X,WINCH(W/O FREE-FALL),JIB(P.T)
 PN1110458-01 RELAY ASSY



GR-120N-1-00111 12T,X,WINCH(W/O FREE-FALL),JIB(P)
PN1110458-01 RELAY ASSY



A



GR-120N-1-00111 12T,X,WINCH(W/O FREE-FALL),JIB(PT)

Pos No.	Parts No	Parts Name	Qty	Unit	Technical Data	Serial No (Start)	Serial No (End)	Remarks	Pages
1	34930681100	BOX	1						
2	90186208025	BOLT,FLANGE	2		M8X25				
3	90280200600	NUT,FLANGE	2		M6				
5	82161901050	RELAY	1				FD1594		
	82161901051	RELAY	1			FD1595			
7	90302040601	WASHER,SPRING	12		6		FD1565		
	90302040601	WASHER,SPRING	8		6				
8	90303070601	WASHER,PLAIN	12		6		FD1565		
	90303070601	WASHER,PLAIN	8		6				
9	37002708040	CABLE	1		L=350				
10	82100002016	CLAMP	1		WR25				
12	34930393201	COVER	1						
13	34930393301	COVER	1						
14	34930681200	RELAY ASSY	1						
15	34930681300	BOX ASSY (FUSE)	1						
16	80182306012	SCREW,MACHINE	8		M6X12				
	80182306012	SCREW,MACHINE	12		M6X12		FD1565		
	80192486012	SCREW,MACHINE	12		M6X12	FD1566			
21	82174103526	FUSE (75A,7323-3526-40>	1						
23	90186208014	BOLT,FLANGE	9		M8X14				
31	36361122010	RELAY (AIR HEATER/ME049306)	1						
32	36361122020	RELAY,SAFETY	1						
51	82400000202	GROMMET	1	M					
61	34350032400	PLATE	1						
62	82100001200	DIODE	2						
63	82100001404	TERMINAL	4						
64	82100001220	INSULATOR	4						
65	82100001989	TERMINAL	1						
66	80172303012	SCREW,MACHINE	2		M3X12				
67	90302040301	WASHER,SPRING	2		3				
68	90303070301	WASHER,PLAIN	2		3				
69	34930681210	PLATE	1						
70	82100002596	RELAY	2						
76	82400000201	GROMMET	1		KG-016				
78	82114214061	CONNECTOR (CAP)	1						
79	82111207051	TERMINAL (MAIL)	4						
81	34930681310	SUPPORT	1						
82	34930346200	BOX ASSY (FUSE)	1						
86	34930661200	BOX ASSY (FUSE)	1						
87	42331093200	SUPPORT	1						
88	34930681330	BOX ASSY (FUSE)	1						
91	34351562510	BOX,FUSE	2						
93	82100001837	FUSE	17		5A				
104	82100001839	FUSE	7		10A,RED				
105	82100001840	FUSE	8		15A,BLUE				
111	42432941110	BOX,FUSE	1						

GR-120N-1-00111 12T,X,WINCH(W/O FREE-FALL),JIB(PT)
PN1200028-00 TRANSMITTER, MULTI.DATA (UPPER/SIC)

販売部品 検討中につき、イラストはありません。

Parts for sale : Under consideration now.
Therefore not illustrated.

[組立名称一覧]より選択してください。
SEE THE CORRESPONDING "ASSEMBLY NAME" LIST.

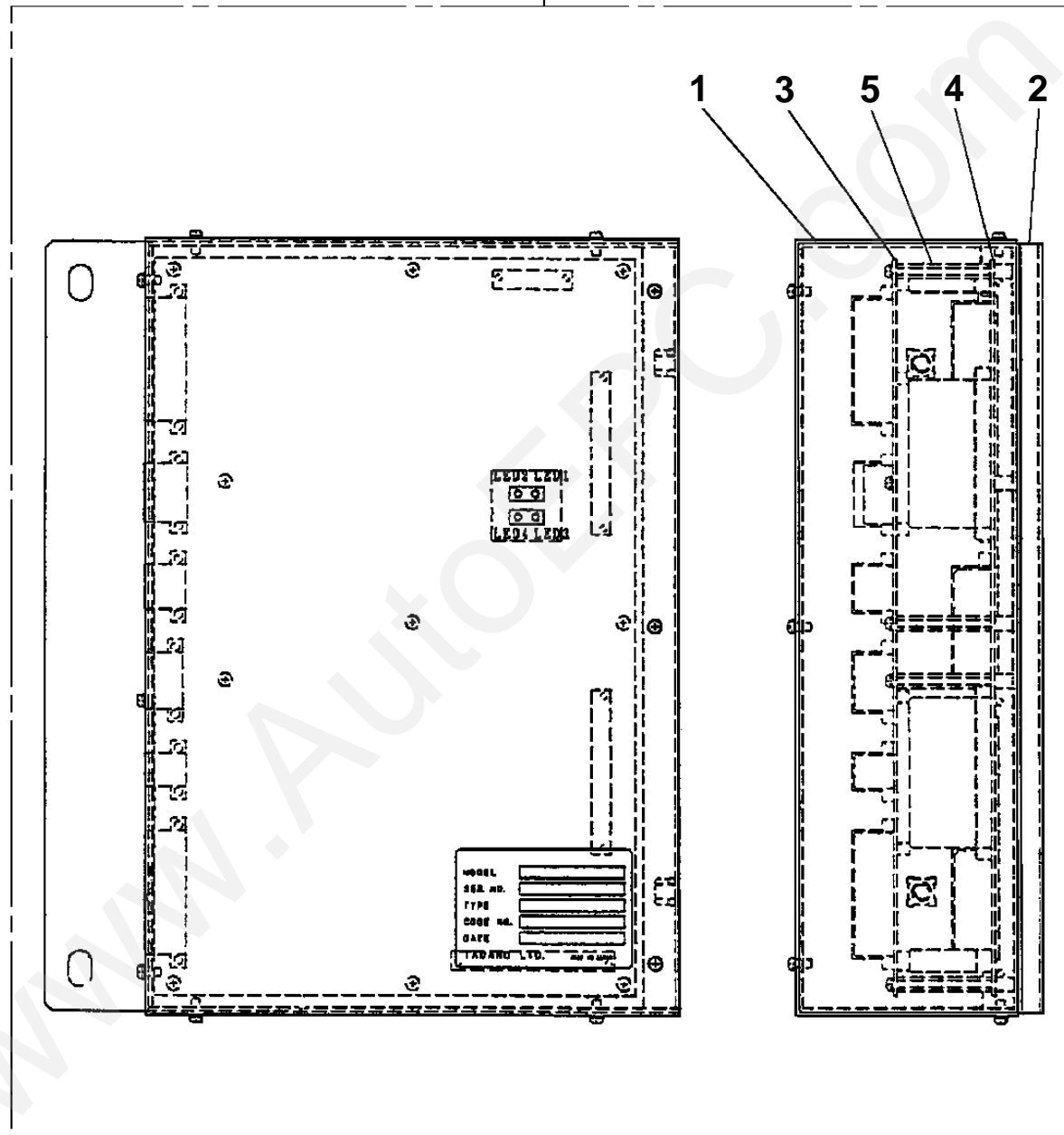
GR-120N-1-00111 12T,X,WINCH(W/O FREE-FALL),JIB(PT)

Pos No.	Parts No	Parts Name	Qty	Unit	Technical Data	Serial No (Start)	Serial No (End)	Remarks	Pages
1	36170425010	COVER	1						
2	36170425020	BASE	1						
3	36170425030	PANEL	1						
4	36170425040	BOARD,CPU (WITH DATA)	1						
100	36170420000	TRANSMITTER, MULTI.DATA (UPPER/SIC)	1						

www.AutoEPC.com

GR-120N-1-00111 12T,X,WINCH(W/O FREE-FALL),JIB(P.T)
PN1200029-00 TRANSMITTER, MULTI.DATA (LOWER/SIC)

100



GR-120N-1-00111 12T,X,WINCH(W/O FREE-FALL),JIB(PT)

Pos No.	Parts No	Parts Name	Qty	Unit	Technical Data	Serial No (Start)	Serial No (End)	Remarks	Pages
1	36170435010	COVER	1						
2	36170435020	BASE	1						
3	36170435030	BOARD,CPU (WITH DATA)	1						
4	36170435040	BOARD,RELAY	1						
5	42351267550	STUD	9						
100	36170430000	TRANSMITTER, MULTI.DATA (LOWER/SIC)	1						

www.AutoEPC.com

GR-120N-1-00111 12T,X,WINCH(W/O FREE-FALL),JIB(PT)
PN1200030-00 TRANSMITTER, MULTI.DATA (UPPER,RYUSYO)

販売部品 検討中につき、イラストはありません。

Parts for sale : Under consideration now.
Therefore not illustrated.

[組立名称一覧]より選択してください。
SEE THE CORRESPONDING "ASSEMBLY NAME" LIST.

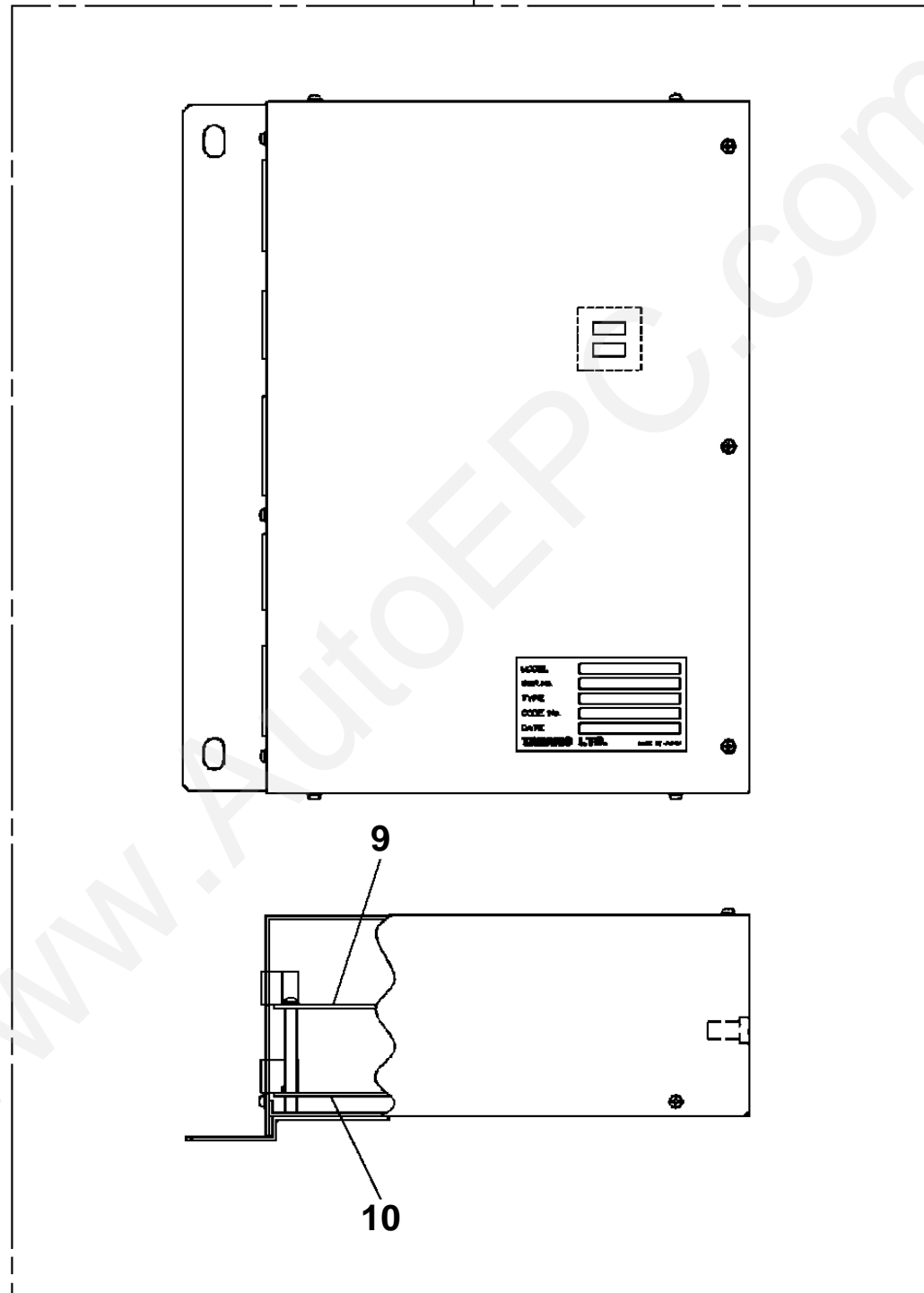
GR-120N-1-00111 12T,X,WINCH(W/O FREE-FALL),JIB(PT)

Pos No.	Parts No	Parts Name	Qty	Unit	Technical Data	Serial No (Start)	Serial No (End)	Remarks	Pages
8	36170535010	BOARD,CPU (WITH DATA)	1						
100	36170530000	TRANSMITTER, MULTI.DATA (UPPER,RYUSYO)	1						

www.AutoEPC.com

GR-120N-1-00111 12T,X,WINCH(W/O FREE-FALL),JIB(PT)
PN1200031-00 TRANSMITTER, MULTI.DATA (LOWER,RYUSYO)

100

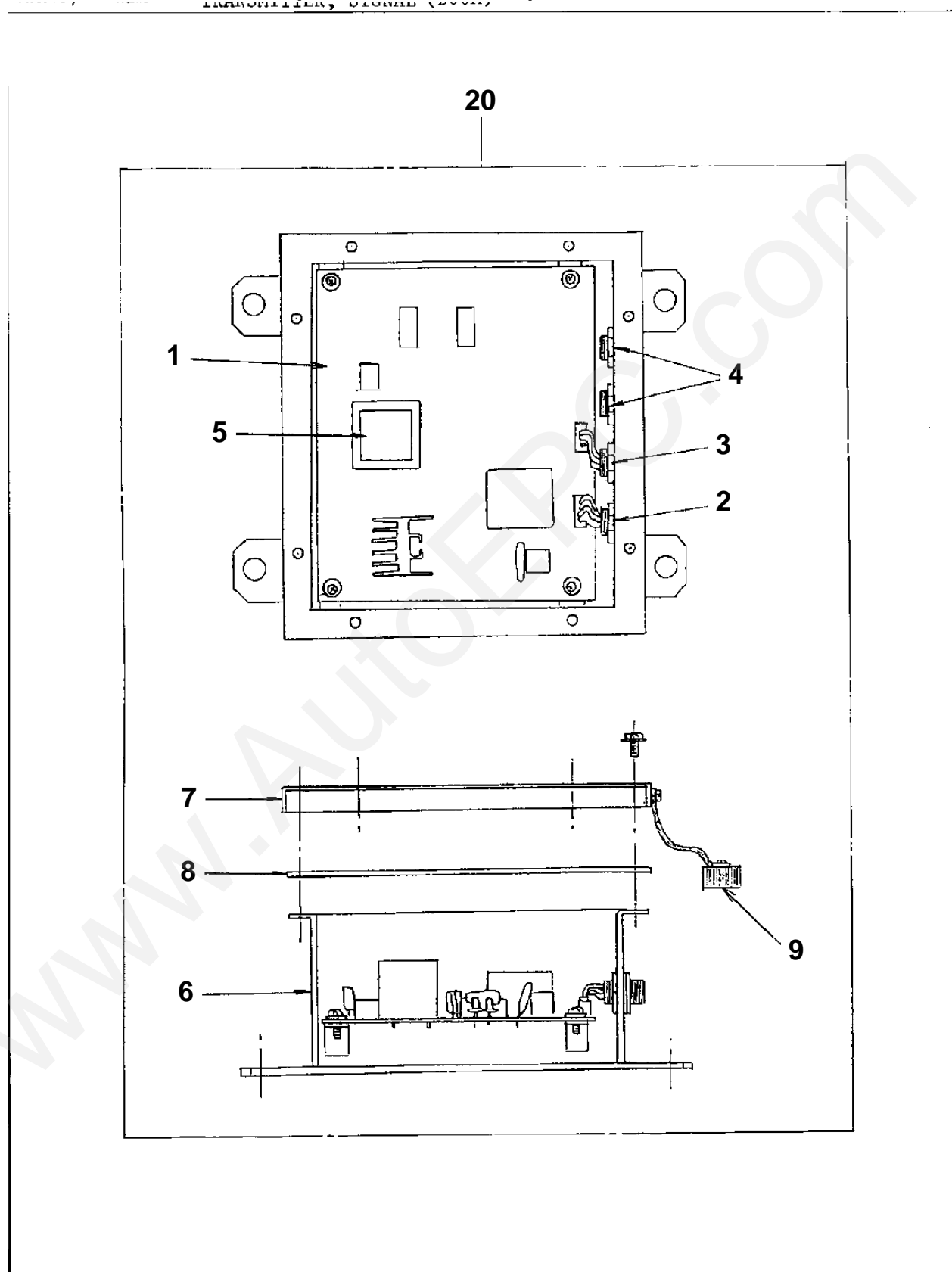


GR-120N-1-00111 12T,X,WINCH(W/O FREE-FALL),JIB(PT)

Pos No.	Parts No	Parts Name	Qty	Unit	Technical Data	Serial No (Start)	Serial No (End)	Remarks	Pages
9	36170545020	BOARD,CPU (WITH DATA)	1						
10	36170631200	BOARD,RELAY	1						
100	36170540000	TRANSMITTER, MULTI.DATA (LOWER,RYUSYO)	1						

www.AutoEPC.com

GR-120N-1-00111 12T,X,WINCH(W/O FREE-FALL),JIB(P.T)
PN1210005-00 TRANSMITTER,SIGNAL (POWER TILT JIB)

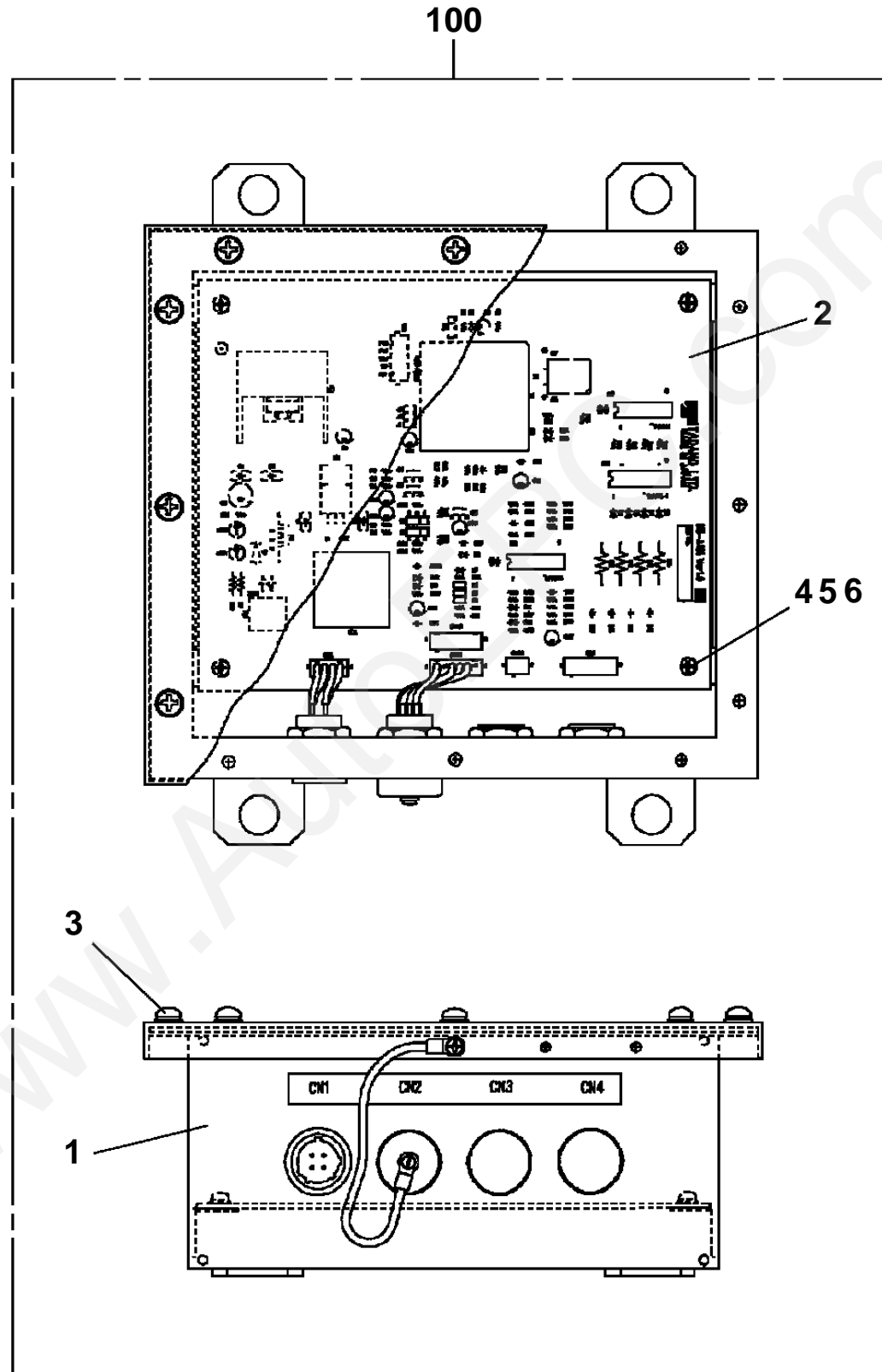


GR-120N-1-00111 12T,X,WINCH(W/O FREE-FALL),JIB(PT)

Pos No.	Parts No	Parts Name	Qty	Unit	Technical Data	Serial No (Start)	Serial No (End)	Remarks	Pages
1	36120155010	BOARD ASSY	1						
2	36120155020	CONNECTOR ASSY	1						
3	36120155030	CONNECTOR ASSY	1						
4	36120155040	PLUG	2						
5	36120155050	CPU	1						
6	36120155060	CASE	1						
7	36120155070	COVER	1						
8	36120155080	PACKING	1						
9	36120155090	CAP	1						
20	36120150000	TRANSMITTER,SIGNAL (POWER TILT JIB)	1						

www.AutoEPC.com

GR-120N-1-00111 12T,X,WINCH(W/O FREE-FALL),JIB(P
PN1210132-00 TRANSMITTER,SIGNAL

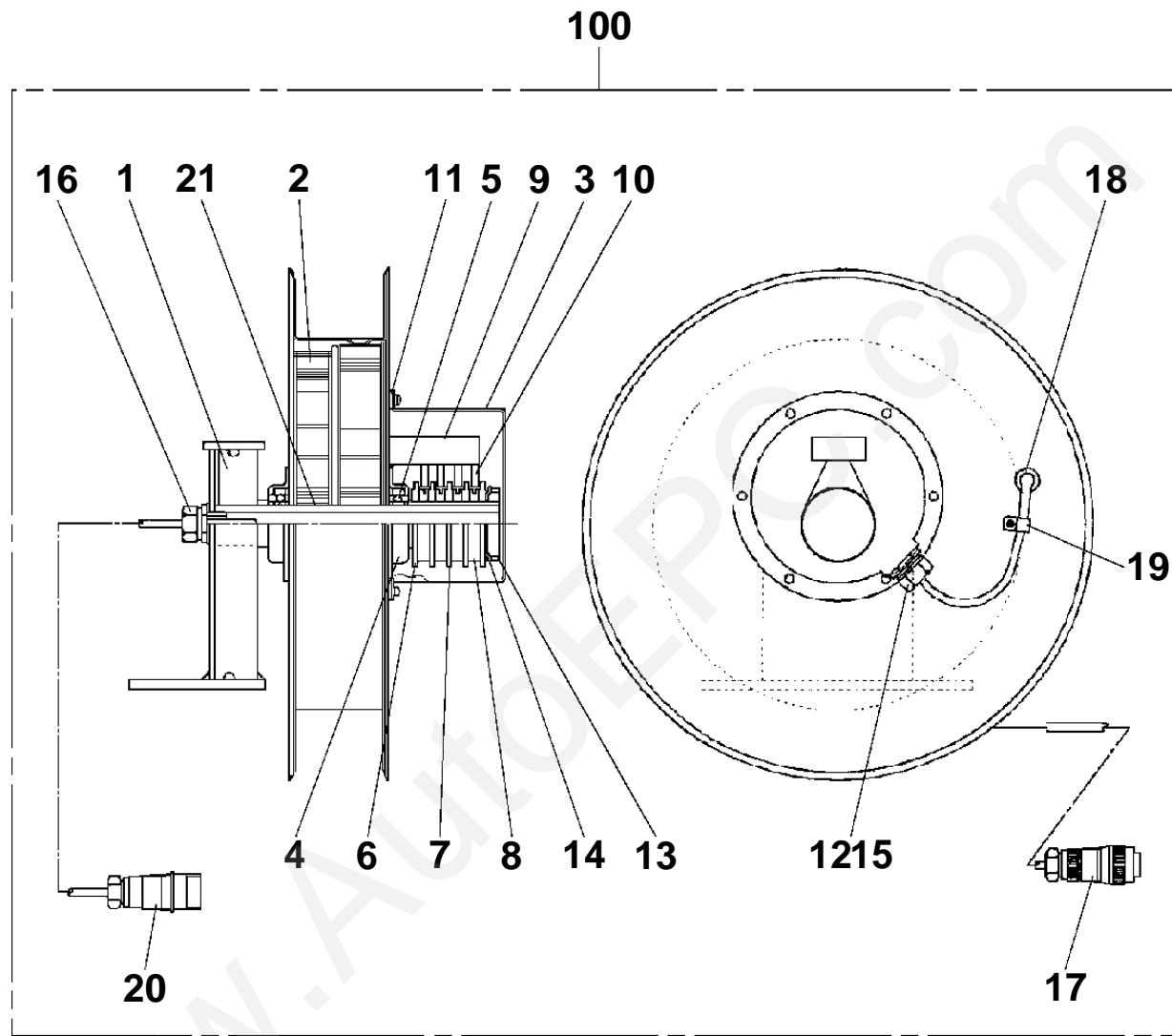


GR-120N-1-00111 12T,X,WINCH(W/O FREE-FALL),JIB(PT)

Pos No.	Parts No	Parts Name	Qty	Unit	Technical Data	Serial No (Start)	Serial No (End)	Remarks	Pages
1	36120465010	CASE ASSY	1						
2	36120465020	BOARD ASSY	1						
3	80192884008	SCREW,MACHINE	12		M4X8				
4	80172803008	SCREW,MACHINE	4		M3X8				
5	90302510301	WASHER,SPRING (SUS 3)	4						
6	90303520401	WASHER,PLAIN	4		4				
100	36120460000	TRANSMITTER,SIGNAL	1						

www.AutoEPC.com

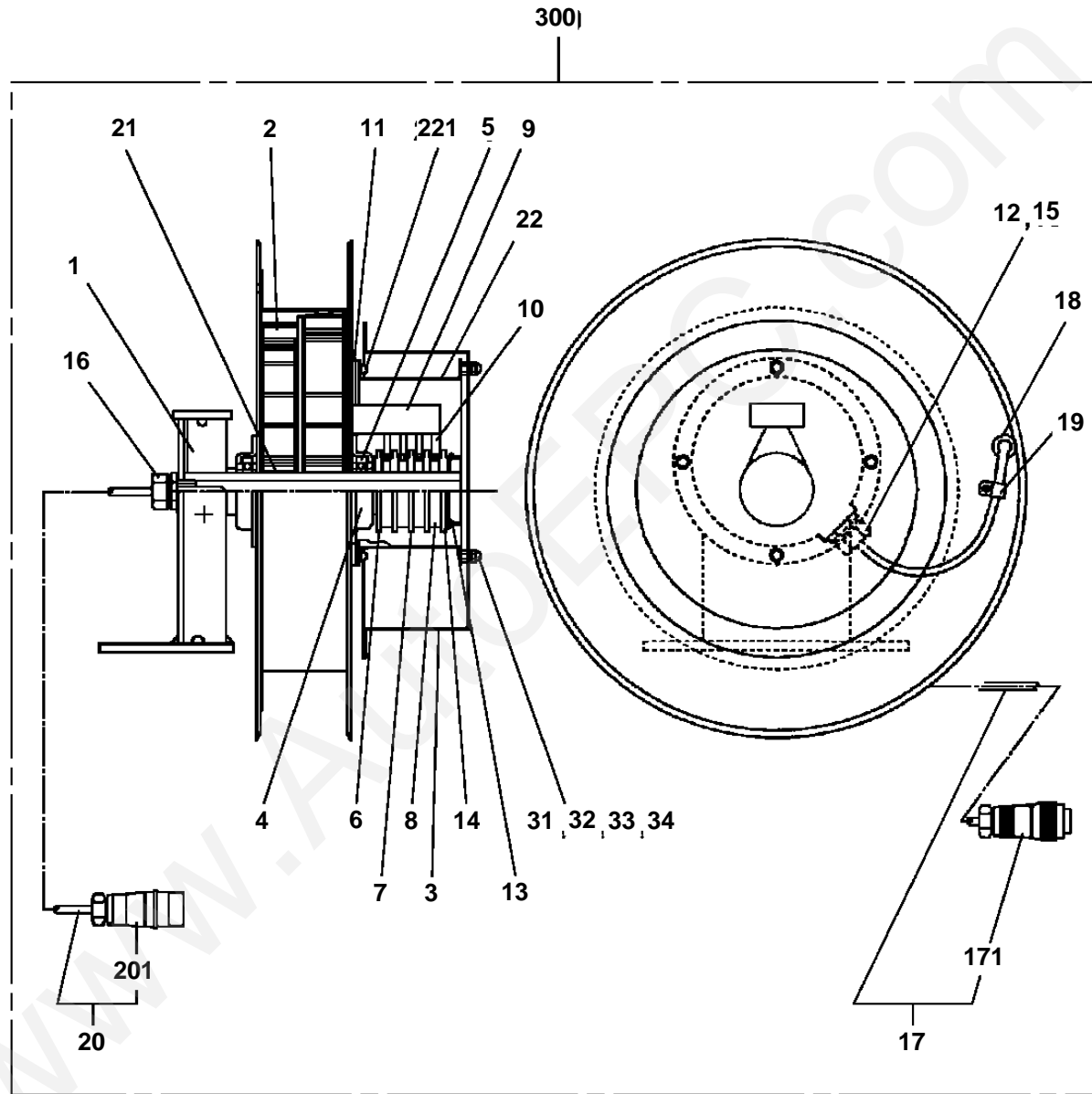
GR-120N-1-00111 12T,X,WINCH(W/O FREE-FALL),JIB(P
PN1350094-00 REEL,CORD(POWER TILT)



GR-120N-1-00111 12T,X,WINCH(W/O FREE-FALL),JIB(PT)

Pos No.	Parts No	Parts Name	Qty	Unit	Technical Data	Serial No (Start)	Serial No (End)	Remarks	Pages
1	36161375010	FRAME ASSY	1						
2	36161375020	DRUM ASSY	1						
3	36160225031	COVER	1						
4	36160225040	CASE (BEARING)	1						
5	36710305020	BEARING,BALL	2						
6	36160225060	COLLAR (A)	1						
7	36160845030	COLLAR (B)	4						
8	36160845050	RING	4						
9	36160225090	PLATE (HOLDER)	1						
10	36160225100	CONTACTOR	4						
11	36161095030	PACKING	1						
12	36130235090	WASHER,SEAL	1						
13	80561100050	NUT	1		AN05				
14	80562100050	WASHER,PLAIN	1						
15	36160885040	CLAMP (CORD)	1						
16	36160885050	CLAMP (CORD)	1						
17	36161375030	CABLE ASSY (OUT PUT)	1						
18	36160225120	GROMMET	1						
19	32360005160	CLIP (NYLON)	1						
20	36161375040	CABLE ASSY (IN PUT)	1						
21	36160815050	BEARING	1						
100	36161370000	REEL,CORD(POWER TILT)	1						

GR-120N-1-00111 12T,X,WINCH(W/O FREE-FALL),JIB(P
PN1350129-00 REEL,CORD

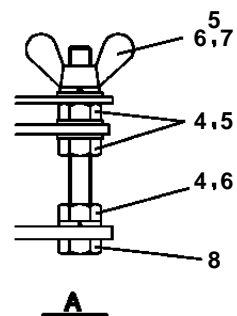
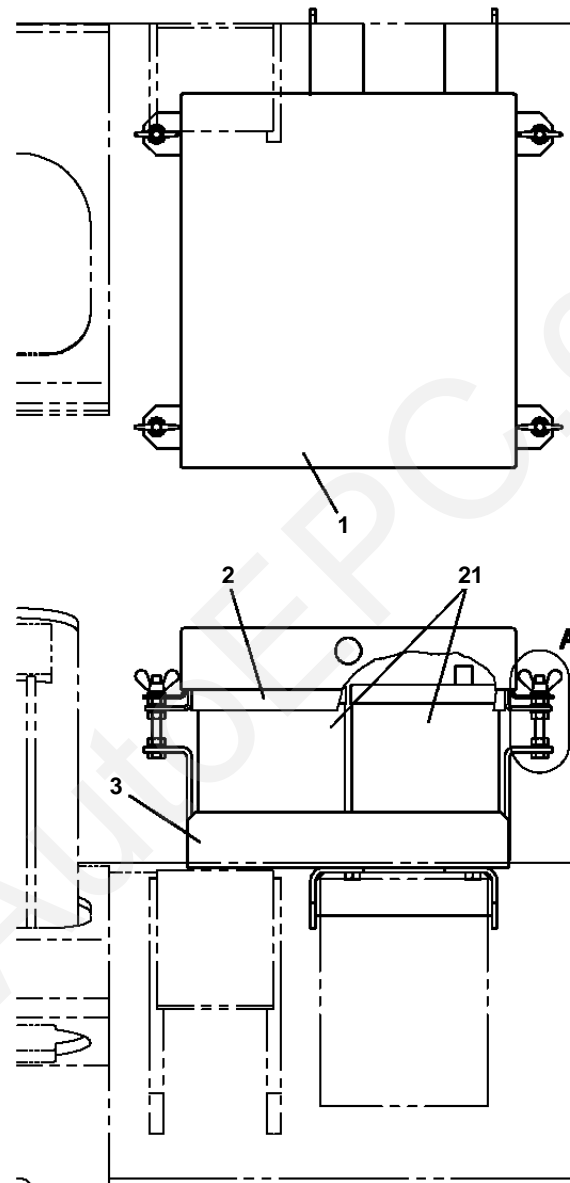


GR-120N-1-00111 12T,X,WINCH(W/O FREE-FALL),JIB(PT)

Pos No.	Parts No	Parts Name	Qty	Unit	Technical Data	Serial No (Start)	Serial No (End)	Remarks	Pages
1	36161375010	FRAME ASSY	1						
2	36160245010	DRUM ASSY	1						
3	36161455030	COVER (OUTER)	1						
4	36160225040	CASE (BEARING)	1						
5	36710305020	BEARING,BALL	2						
6	36160225060	COLLAR (A)	1						
7	36160845030	COLLAR (B)	4						
8	36160225082	RING	4						
9	36160225090	PLATE (HOLDER)	1						
10	36160225100	CONTACTOR	4						
11	36160225110	PACKING	1						
12	36130235090	WASHER,SEAL	1						
13	80561100050	NUT	1		AN05				
14	80562100050	WASHER,PLAIN	1						
15	36160885040	CLAMP (CORD)	1						
16	36160885050	CLAMP (CORD)	1						
17	36161375030	CABLE ASSY (OUT PUT)	1						
18	36160225120	GROMMET	1						
19	32360005160	CLIP (NYLON)	1						
20	36161375040	CABLE ASSY (IN PUT)	1						
21	36160815050	BEARING	1						
22	36161455050	COVER (INNER)	1						
31	90240200400	NUT,CAP	4		M4				
32	90201200500	NUT	4		M5				
33	90303070401	WASHER,PLAIN	4		4				
34	90302040401	WASHER,SPRING	4		4				
171	82116930406	CONNECTOR	1						
201	82117980406	CONNECTOR	1						
221	36161285040	SCREW,MACHINE (WITH W,SW)	6		M4X8				
300	36161370001	REEL,CORD	1						

GR-120N-1-00111 12T,X,WINCH(W/O FREE-FALL),JIB(P.T)
PN1370089-02 BATTERY INSTALLATION

→ FRONT

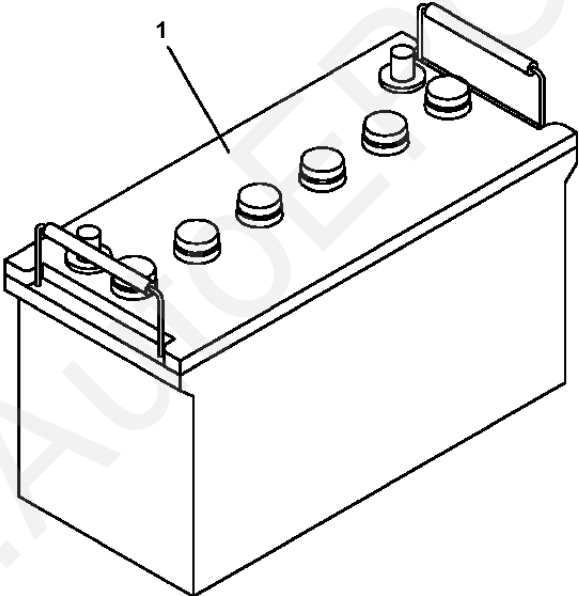


GR-120N-1-00111 12T,X,WINCH(W/O FREE-FALL),JIB(PT)

Pos No.	Parts No	Parts Name	Qty	Unit	Technical Data	Serial No (Start)	Serial No (End)	Remarks	Pages
1	34800371101	COVER	1						
2	34800371200	SUPPORT	1						
3	34800371300	SUPPORT	1						
4	90201201000	NUT	12		M10				
5	90303071001	WASHER,PLAIN	12		10				
6	90302041001	WASHER,SPRING	8		10				
7	90258901000	NUT,WING	4		M10				
8	90102210090	BOLT	4		M10X90				
21	82151009541	BATTERY (MATSUSHITA/95E41R)	2						000205
	82151010041	BATTERY (MATSUSHITA/100E41R)	2						000206
	37010000020	BATTERY (HYUNDAI ENERCELL)	2						000040
	82100002828	BATTERY (GLOBAL & YUASA/95E41R)	2						000204

www.AutoEPC.com

GR-120N-1-00111 12T,X,WINCH(W/O FREE-FALL),JIB(PT)
PN1370150-00 BATTERY (GLOBAL & YUASA/95E41R)

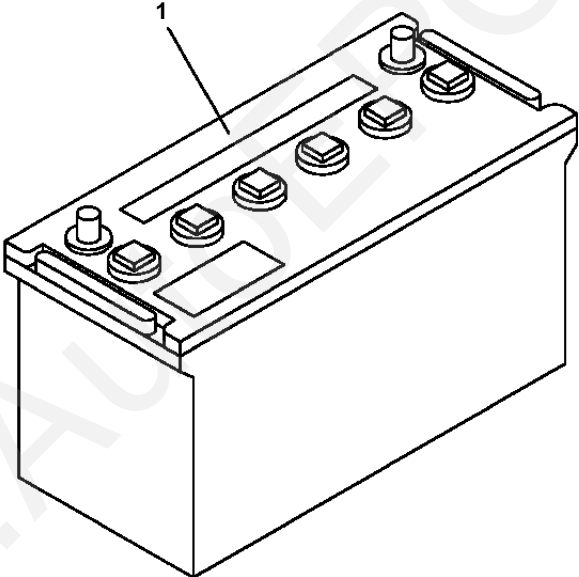


GR-120N-1-00111 12T,X,WINCH(W/O FREE-FALL),JIB(PT)

Pos No.	Parts No	Parts Name	Qty	Unit	Technical Data	Serial No (Start)	Serial No (End)	Remarks	Pages
1	82100002828	BATTERY (GLOBAL & YUASA/95E41R)	1						

www.AutoEPC.com

GR-120N-1-00111 12T,X,WINCH(W/O FREE-FALL),JIB(PT)
PN1370151-00 BATTERY (MATSUSHITA/95E41R)

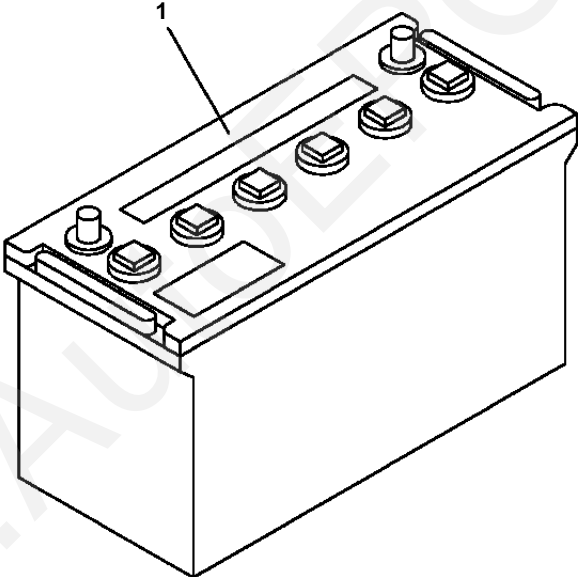


GR-120N-1-00111 12T,X,WINCH(W/O FREE-FALL),JIB(PT)

Pos No.	Parts No	Parts Name	Qty	Unit	Technical Data	Serial No (Start)	Serial No (End)	Remarks	Pages
1	82151009541	BATTERY (MATSUSHITA/95E41R)	1						

www.AutoEPC.com

GR-120N-1-00111 12T,X,WINCH(W/O FREE-FALL),JIB(PT)
PN1370152-00 BATTERY (MATSUSHITA/100E41R)

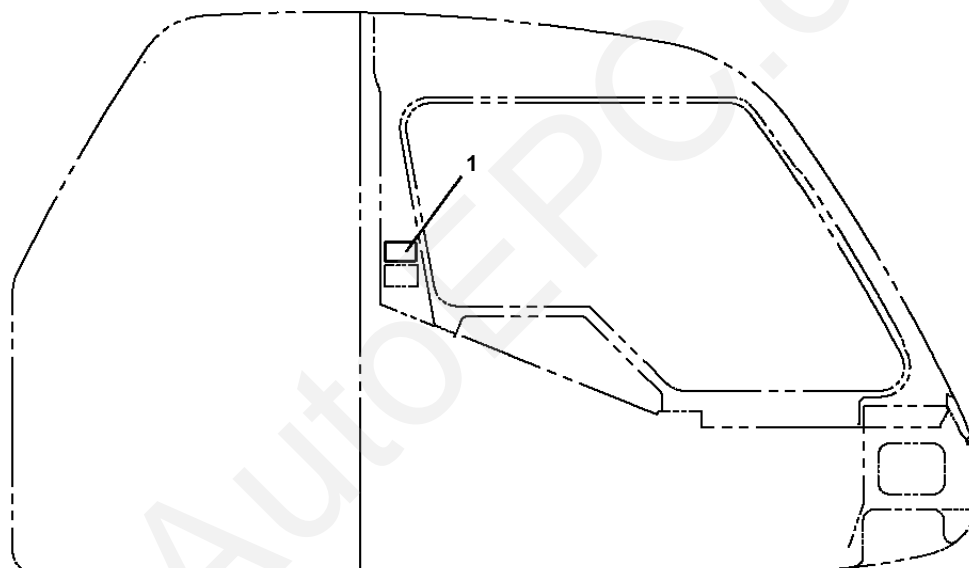


GR-120N-1-00111 12T,X,WINCH(W/O FREE-FALL),JIB(PT)

Pos No.	Parts No	Parts Name	Qty	Unit	Technical Data	Serial No (Start)	Serial No (End)	Remarks	Pages
1	82151010041	BATTERY (MATSUSHITA/100E41R)	1						

www.AutoEPC.com

GR-120N-1-00111 12T,X,WINCH(W/O FREE-FALL),JIB(PT)
 PN5010009-01 NAME PLATE ASSY (COLLECTION OF CFC)



1

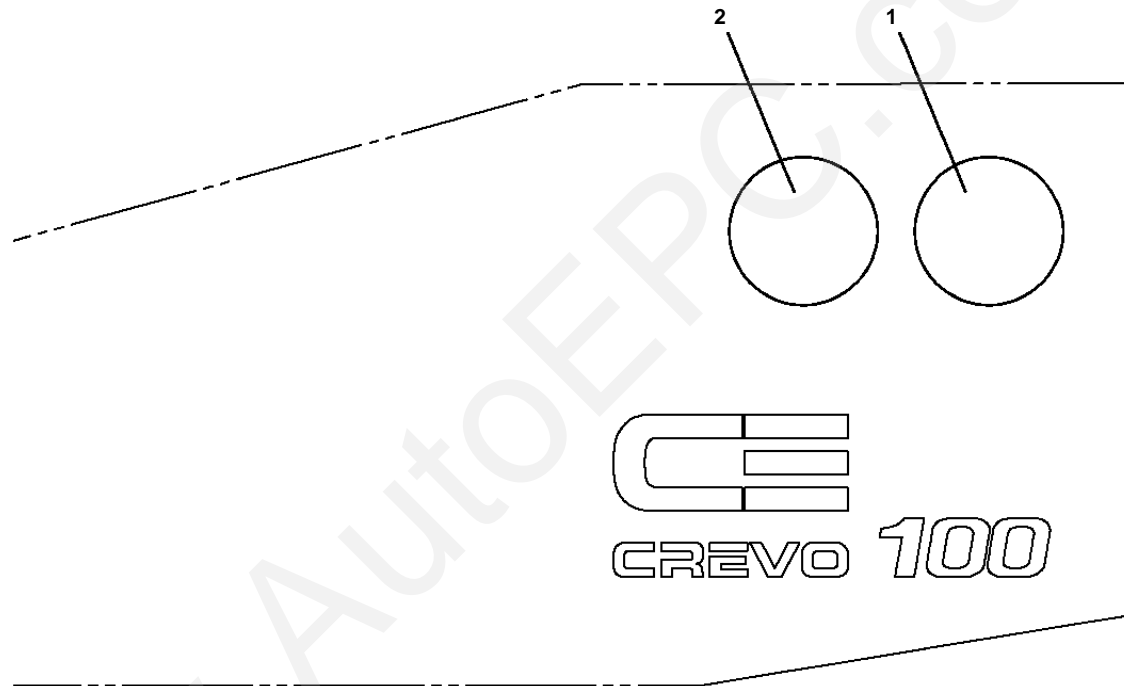
フロン図板・取付法 第一種特定製品		
この製品に使われている冷媒の種類及び質量		
種 別	質量 (kg)	出所等
HFC	R-134a	0.8
冷媒充填を保持するため、次のことが法律で決められていますので必ず守ってください。		
(1) この製品に充填されている冷媒を、あだりに大気中に放出しないでください。		
(2) この製品の廃棄時は充填されている冷媒を回収してください。		
		370-022-28020

GR-120N-1-00111 12T,X,WINCH(W/O FREE-FALL),JIB(PT)

Pos No.	Parts No	Parts Name	Qty	Unit	Technical Data	Serial No (Start)	Serial No (End)	Remarks	Pages
1	37002225020	PLATE,NAME	1						

www.AutoEPC.com

GR-120N-1-00111 12T,X,WINCH(W/O FREE-FALL),JIB(P
PO1012369-02 PLATE ASSY,NAME (LOW NOISE,EXHAUST GAS)



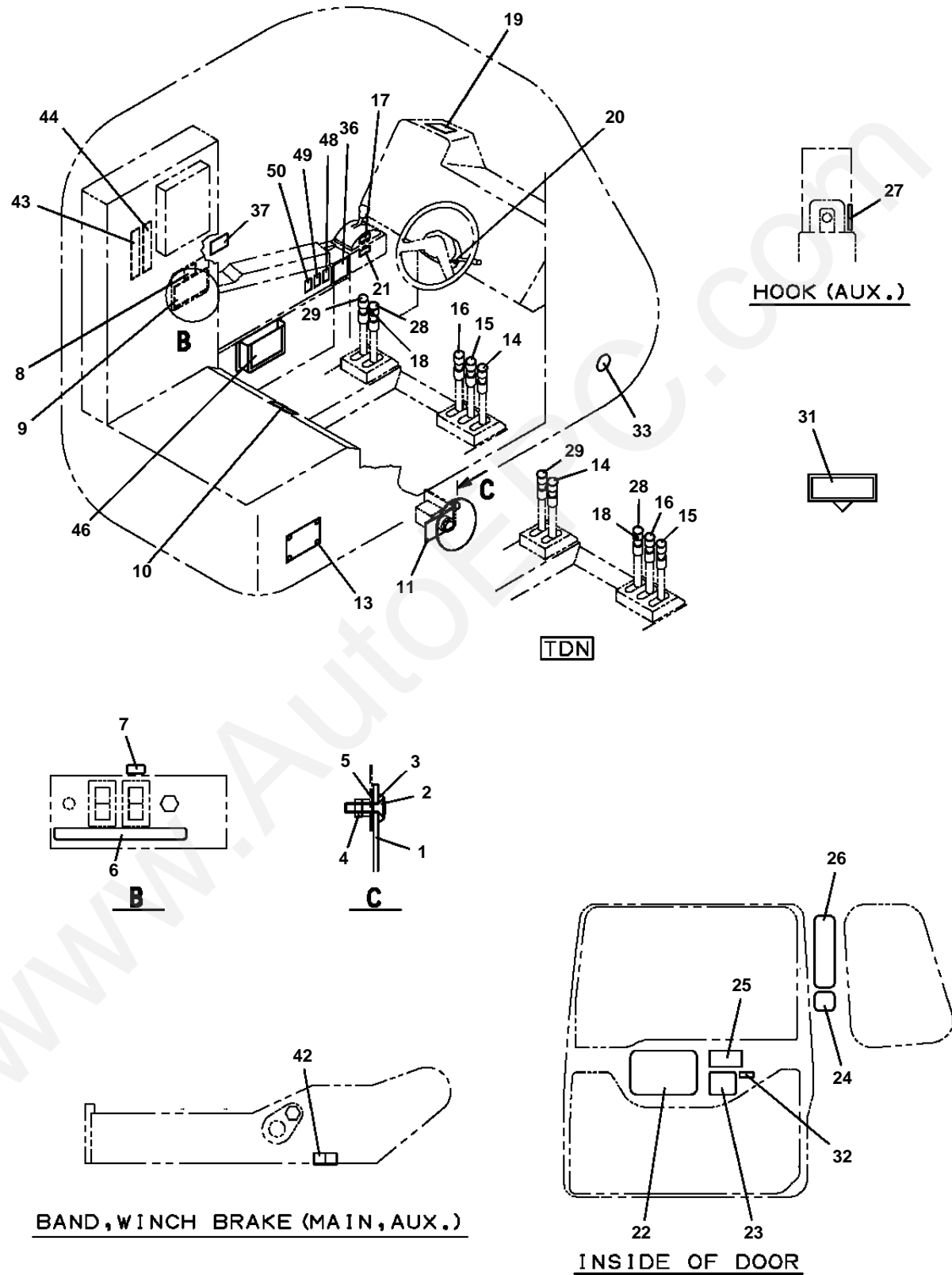
COVER, SWING FRAME (LEFT)

GR-120N-1-00111 12T,X,WINCH(W/O FREE-FALL),JIB(PT)

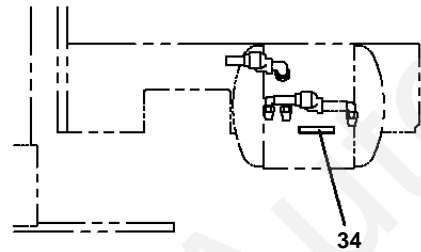
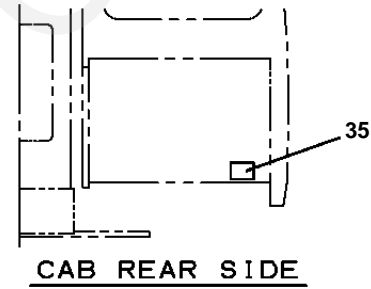
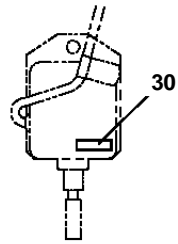
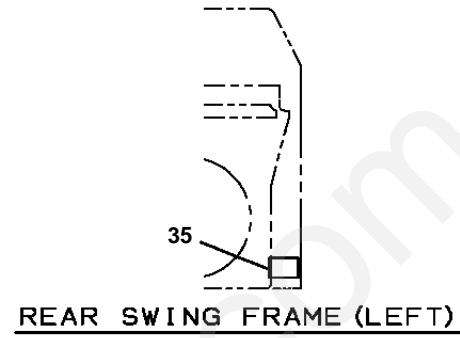
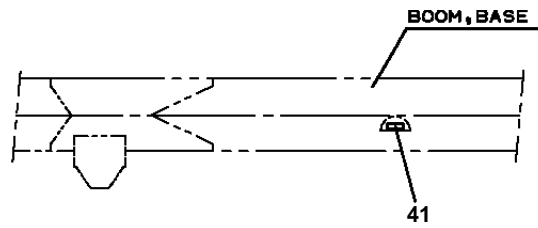
Pos No.	Parts No	Parts Name	Qty	Unit	Technical Data	Serial No (Start)	Serial No (End)	Remarks	Pages
1	(*****)	PLATE,NAME (LOW NOISE MARK)	1						000222
2	(*****)	PLATE,NAME (EMISSION CONTROL STANDARD)	1						000223

www.AutoEPC.com

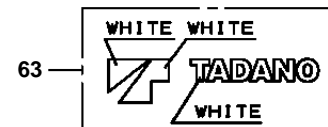
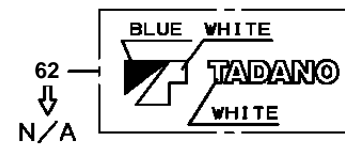
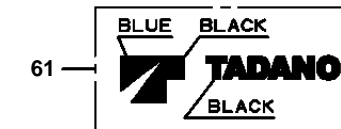
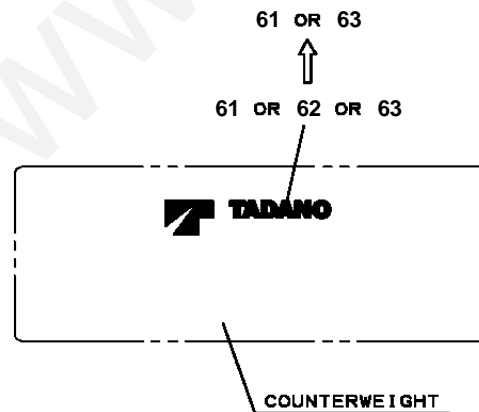
GR-120N-1-00111 12T,X,WINCH(W/O FREE-FALL),JIB(P.T)
 PO1013280-04 PLATE ASSY,NAME (UPPER,1)



GR-120N-1-00111 12T,X,WINCH(W/O FREE-FALL),JIB(P
 PO1013280-04 PLATE ASSY,NAME (UPPER,1)



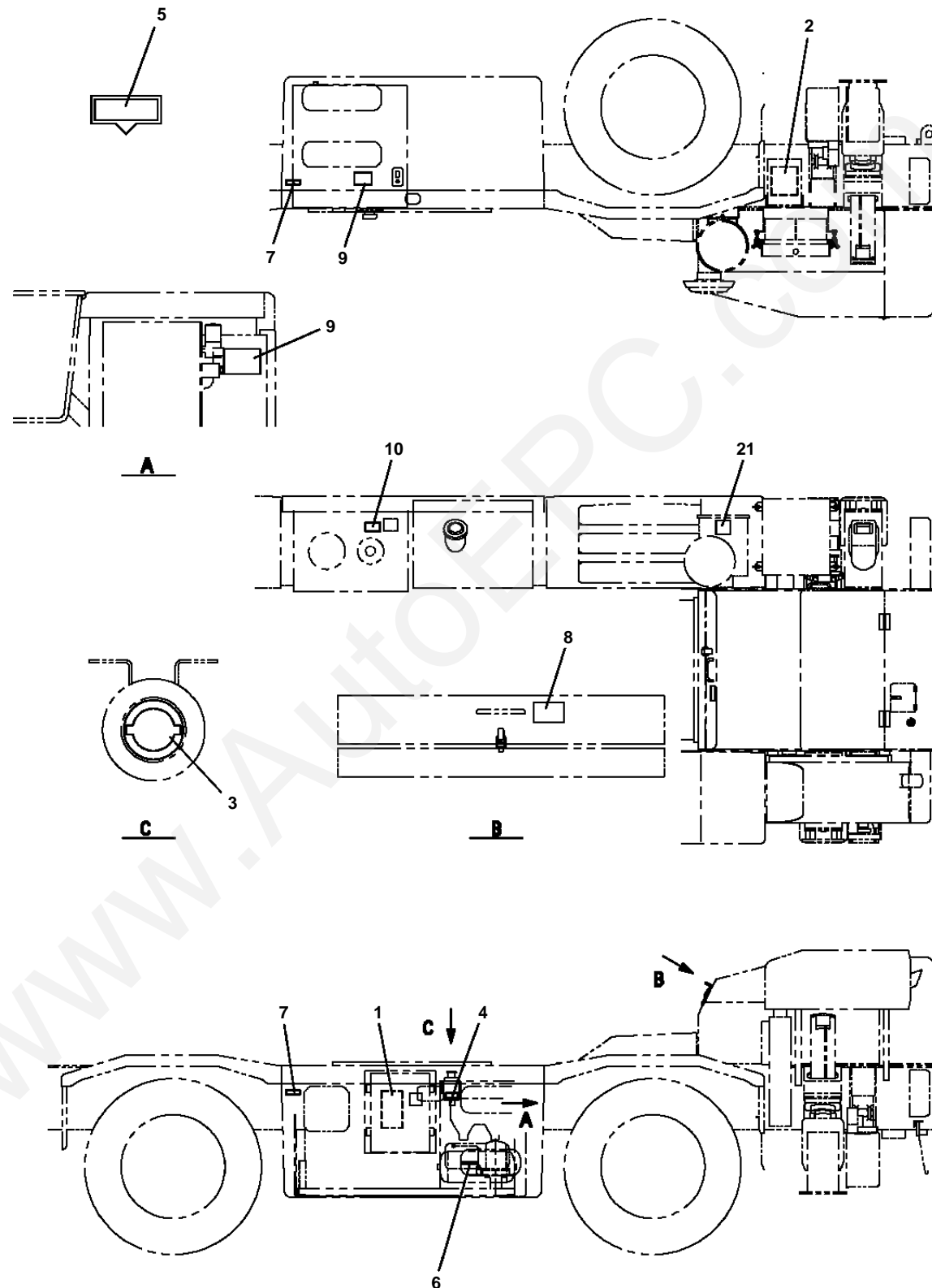
CAB REAR UNDER SIDE



GR-120N-1-00111 12T,X,WINCH(W/O FREE-FALL),JIB(PT)

Pos No.	Parts No	Parts Name	Qty	Unit	Technical Data	Serial No (Start)	Serial No (End)	Remarks	Pages
1	34393901300	PLATE	1						
2	80186806025	SCREW,MACHINE	1		M6X25				
3	90305210601	WASHER	1						
4	90201200600	NUT	1		M6				
5	37000515850	PLATE	1						
6	34395241400	PLATE,NAME	1						
7	34395241500	PLATE,NAME (HI)	1						
8	37002217310	PLATE,CAUTION	1						
9	34395241100	PLATE,CAUTION (FUSE)	1						
10	34393692400	PLATE,CAUTION	1						
11	37002207550	PLATE,NAME (AML RELEASE)	1						
13	80147310420	RIVET	4		3.2X6				
14	37002212110	PLATE,NAME (ELEVATE LEVER)	1						
15	37002212090	PLATE,NAME (MAIN WINCH LEVER)	1						
16	37002212100	PLATE,NAME (AUX. WINCH LEVER)	1						
17	37002217320	PLATE,CAUTION	1						
18	34392491300	PLATE,NAME	1						
19	(*****)	PLATE,NAME (AML)	1						000215
20	34390731280	PLATE,NAME (WINKER)	1						
21	34393921400	PLATE,CAUTION (SUSPENSION LOCK)	1						
22	34393901700	PLATE,CAUTION	1						
23	37002217240	PLATE,CAUTION	1						
24	34393691200	PLATE,NAME	1						
25	34395241600	PLATE,CAUTION	1				FD0614		
	34395241601	PLATE,NAME	1			FD0615			
26	34393691900	PLATE,CAUTION	1						
27	37002223410	PLATE,NAME (1.8TON)	1						
28	37002212130	PLATE,NAME (TELESCOP LEVER)	1						
29	37002212120	PLATE,NAME (SWING LEVER)	1						
30	16268231000	LABEL (SWITCH,OVER WINDING)	2						
31	12117140000	PLATE,NAME (GREASE)	26						
32	37002224610	PLATE,NAME	1			FD0053			
33	(*****)	PLATE,NAME	1			FD0074			000230
34	34390225400	PLATE,NAME	1						
35	37002217380	PLATE,CAUTION	2						
36	37002217270	PLATE,CAUTION	1						
37	37002217280	PLATE,CAUTION	1						
41	34393132400	PLATE,CAUTION	1						
42	34390223800	PLATE,NAME (WINCH BRAKE)	2						
43	34395241200	PLATE,NAME (MDT)	1						
44	34395241300	PLATE,NAME (MDT)	1						
46	34393901100	COVER	1						
48	37002220410	PLATE,CAUTION	1						
49	37002220440	PLATE,CAUTION	1						
50	37002221060	PLATE,CAUTION	1						
61	37002214470	PLATE,NAME (BLUE & BLACK)	1						
62	37002214480	PLATE,NAME (BLUE & WHITE)	1				FD1811		
63	37002214490	PLATE,NAME (WHITE & WHITE)	1						

GR-120N-1-00111 12T,X,WINCH(W/O FREE-FALL),JIB(P
PO1013285-01 PLATE ASSY,NAME (LOWER)

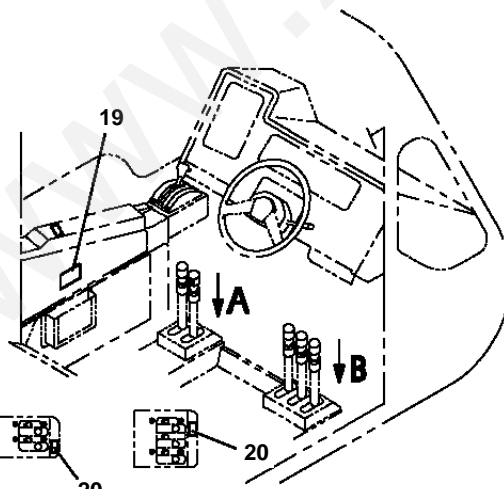
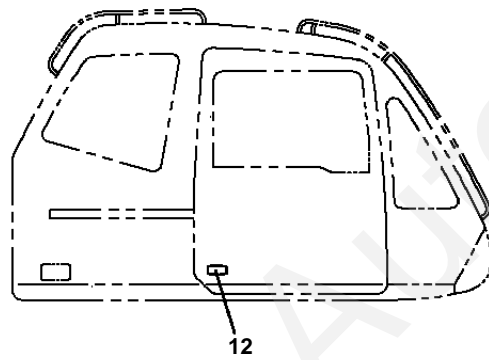
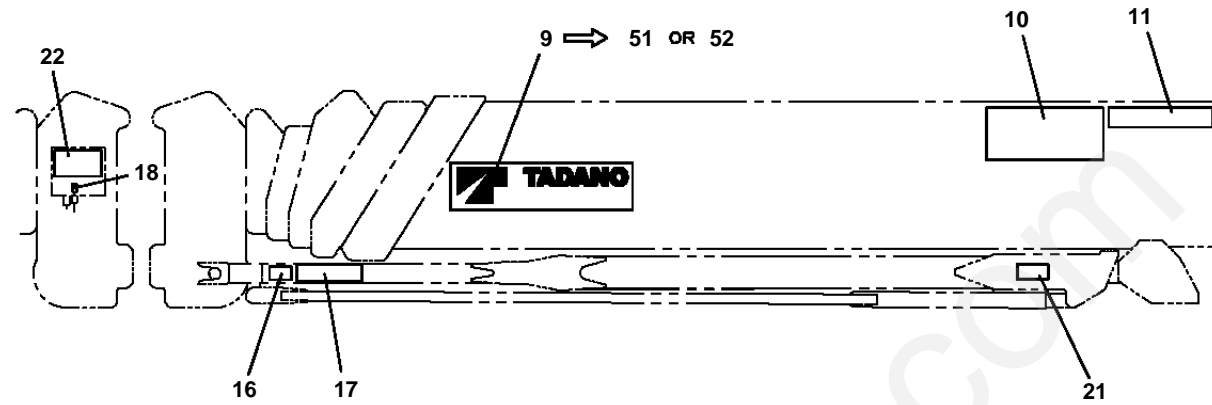


GR-120N-1-00111 12T,X,WINCH(W/O FREE-FALL),JIB(PT)

Pos No.	Parts No	Parts Name	Qty	Unit	Technical Data	Serial No (Start)	Serial No (End)	Remarks	Pages
1	34395245100	PLATE,NAME (MDT)	1						
2	34395245200	PLATE,NAME (FUSE)	1						
3	37002207540	PLATE,NAME	1						
4	37002217250	PLATE,NAME	1						
5	12117140000	PLATE,NAME (GREASE)	29						
6	34390225400	PLATE,NAME	1						
7	37002223430	PLATE,CAUTION	2				FD0943		
	37002219320	PLATE,CAUTION	2			FD0944			
8	37002217290	PLATE,CAUTION (CAUTION)	1						
9	37002217380	PLATE,CAUTION	2						
10	37002226350	PLATE,CAUTION	1			FD0643			
21	34781081020	PLATE,CAUTION (AIR CLEANER)	1						

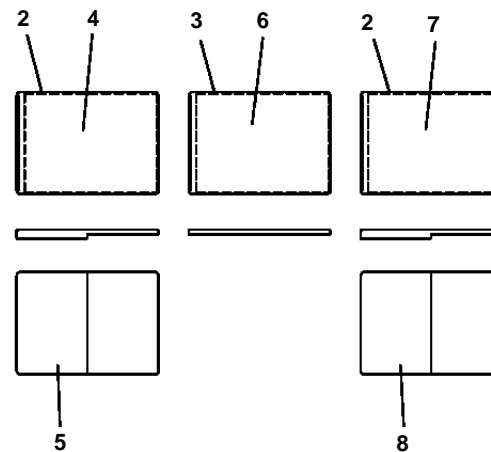
www.AutoEPC.com

GR-120N-1-00111 12T,X,WINCH(W/O FREE-FALL),JIB(PT)
 PO1013300-05 PLATE ASSY,NAME (UPPER,2)



A
(ISO)

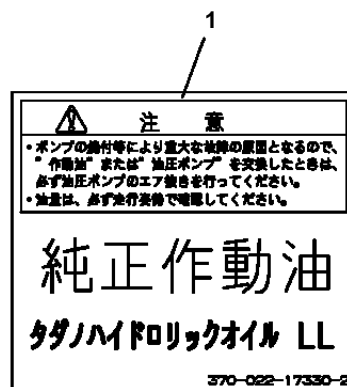
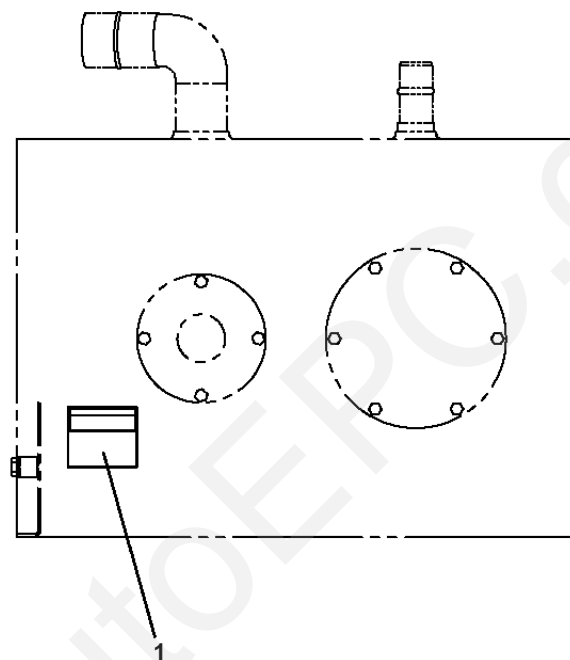
B
(TDN)



GR-120N-1-00111 12T,X,WINCH(W/O FREE-FALL),JIB(PT)

Pos No.	Parts No	Parts Name	Qty	Unit	Technical Data	Serial No (Start)	Serial No (End)	Remarks	Pages
1	34395473100	LOAD CHART BOOKLET	1						000176
2	33390000180	CASE	2						
3	18617081000	CASE	1						
4	34395243300	PLATE,NAME	1						
5	34395243400	PLATE,NAME	1						
6	34395243500	PLATE,NAME	1				FD0943		
	34395243501	PLATE,NAME	1			FD0944			
7	34395473600	PLATE,NAME	1						
8	34395243700	PLATE,NAME	1						
9	37002209500	PLATE,NAME (TADANO)	1				FD1811		
10	34395473800	PLATE,NAME	1						
11	37002223420	PLATE,NAME (12TON)	1						
12	34395243900	PLATE,NAME (GR-120NL)	1						
16	37002217350	PLATE,CAUTION	1						
17	34394533800	PLATE,CAUTION	1						
18	34392871500	PLATE,NAME	1						
19	34395474000	PLATE,NAME	1						
20	37002217370	PLATE,NAME (CONTROL LEVER)	1						
21	37002217360	PLATE,CAUTION	1						
22	34395474200	PLATE,CAUTION	1						
51	37002214470	PLATE,NAME (BLUE & BLACK)	1			FD1812			
52	37002214490	PLATE,NAME (WHITE & WHITE)	1			FD1812			

GR-120N-1-00111 12T,X,WINCH(W/O FREE-FALL),JIB(P.T)
PO1013309-01 PLATE ASSY,NAME (OIL)

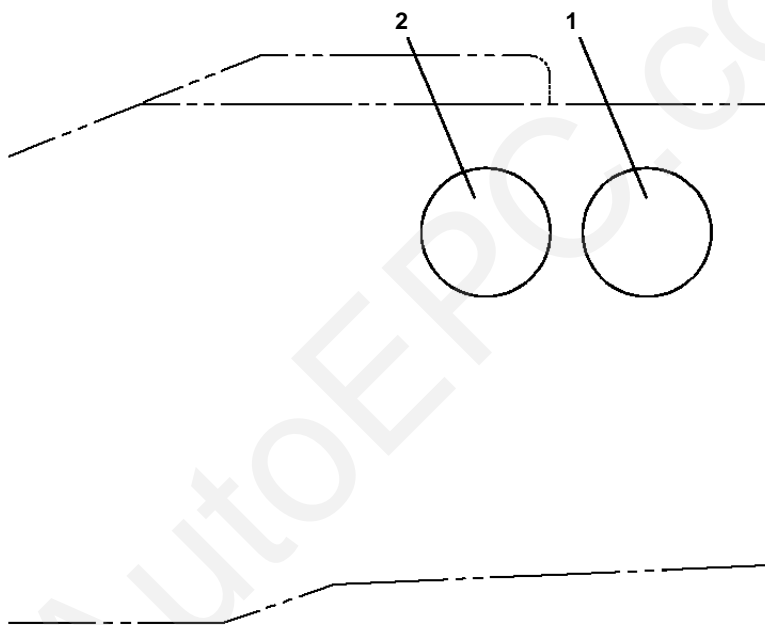


GR-120N-1-00111 12T,X,WINCH(W/O FREE-FALL),JIB(PT)

Pos No.	Parts No	Parts Name	Qty	Unit	Technical Data	Serial No (Start)	Serial No (End)	Remarks	Pages
1	37002217330	PLATE,CAUTION (TADANO HYDRAULIC)	1						

www.AutoEPC.com

GR-120N-1-00111 12T,X,WINCH(W/O FREE-FALL),JIB(P
PO1013581-01 PLATE ASSY,NAME (LOW NOISE,EXHAUST GAS)



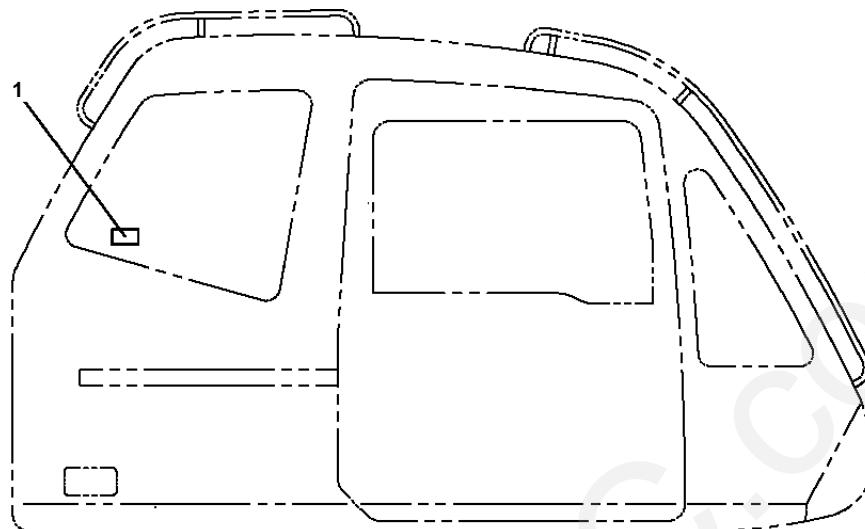
COVER, SWING FRAME (LEFT)

GR-120N-1-00111 12T,X,WINCH(W/O FREE-FALL),JIB(PT)

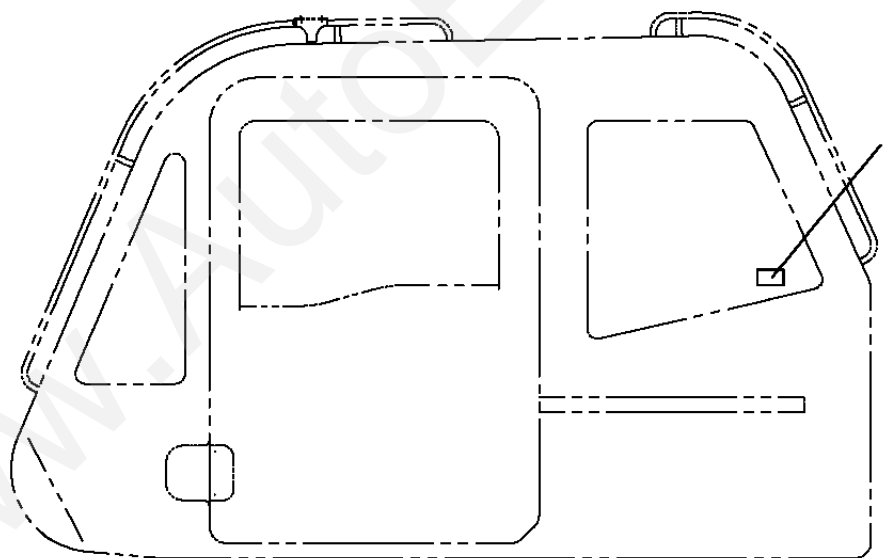
Pos No.	Parts No	Parts Name	Qty	Unit	Technical Data	Serial No (Start)	Serial No (End)	Remarks	Pages
1	(*****)	PLATE,NAME (LOW NOISE MARK)	1						000222
2	(*****)	PLATE,NAME (EMISSION CONTROL STANDARD)	1						000224

www.AutoEPC.com

GR-120N-1-00111 12T,X,WINCH(W/O FREE-FALL),JIB(PT)
PO1014823-02 PLATE ASSY,NAME (LLC FOR COLD DISTRICT)



右キャブ
RIGHT CAB



左キャブ
LEFT CAB



GR-120N-1-00111 12T,X,WINCH(W/O FREE-FALL),JIB(PT)

Pos No.	Parts No	Parts Name	Qty	Unit	Technical Data	Serial No (Start)	Serial No (End)	Remarks	Pages
1	37002215860	PLATE,NAME	1						

www.AutoEPC.com

GR-120N-1-00111 12T,X,WINCH(W/O FREE-FALL),JIB(PT)
PO1020001-00 PLATE,NAME (AML)

FILE, NAME (AML)

当 AML 労検銘板については、弊社出先サービス員経由、
御用命ください。

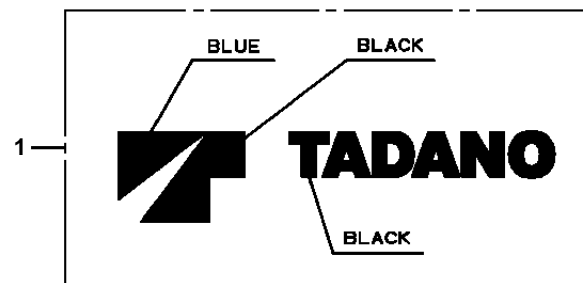
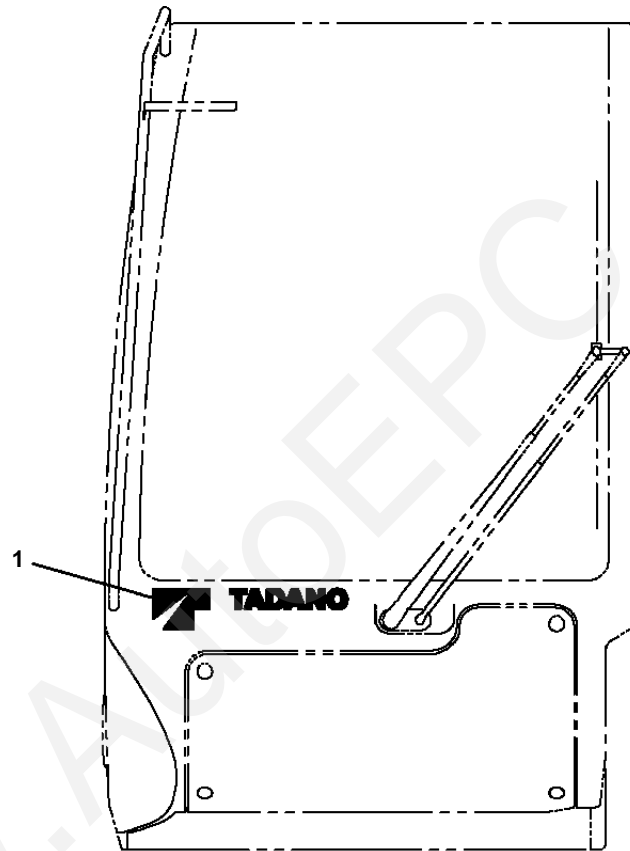
[組立名称一覧]より選択してください。
SEE THE CORRESPONDING "ASSEMBLY NAME" LIST.

GR-120N-1-00111 12T,X,WINCH(W/O FREE-FALL),JIB(PT)

Pos No.	Parts No	Parts Name	Qty	Unit	Technical Data	Serial No (Start)	Serial No (End)	Remarks	Pages
1	37002223610	PLATE,NAME (AML)	1						

www.AutoEPC.com

GR-120N-1-00111 12T,X,WINCH(W/O FREE-FALL),JIB(P
PO1030001-00 TADANO (CAB,BLUE/BLACK)

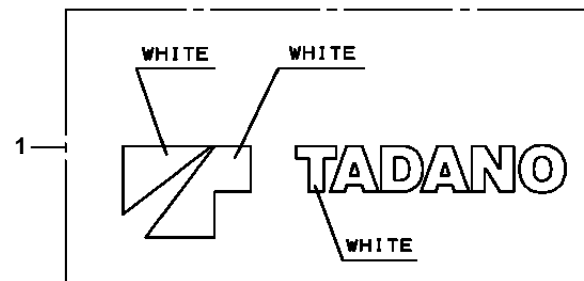
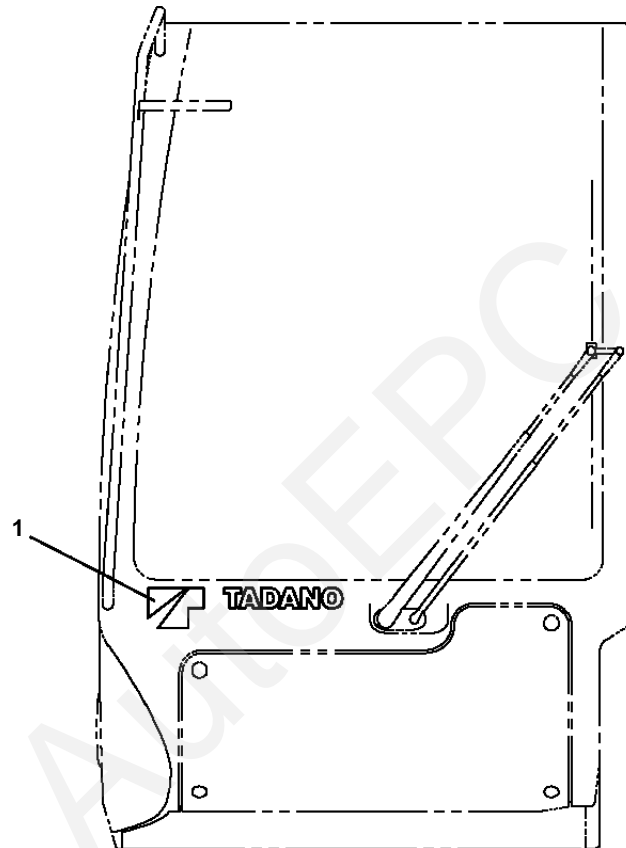


GR-120N-1-00111 12T,X,WINCH(W/O FREE-FALL),JIB(PT)

Pos No.	Parts No	Parts Name	Qty	Unit	Technical Data	Serial No (Start)	Serial No (End)	Remarks	Pages
1	34394241100	PLATE,NAME	1						

www.AutoEPC.com

GR-120N-1-00111 12T,X,WINCH(W/O FREE-FALL),JIB(P
PO1030002-00 TADANO (CAB,WHITE/WHITE)

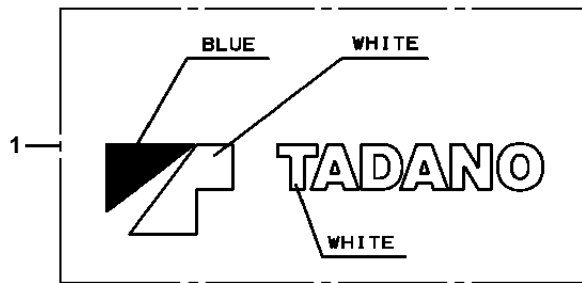
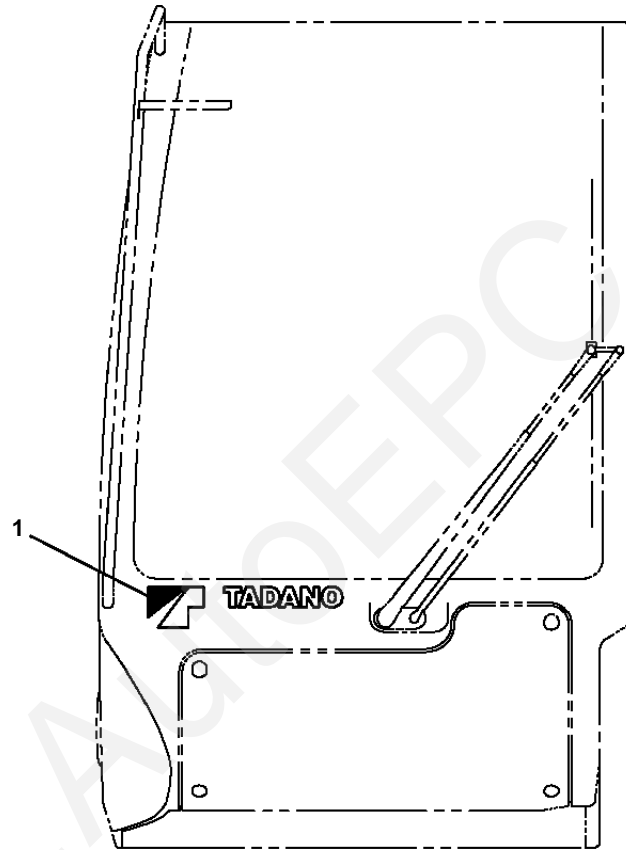


GR-120N-1-00111 12T,X,WINCH(W/O FREE-FALL),JIB(PT)

Pos No.	Parts No	Parts Name	Qty	Unit	Technical Data	Serial No (Start)	Serial No (End)	Remarks	Pages
1	34394242100	PLATE,NAME	1						

www.AutoEPC.com

GR-120N-1-00111 12T,X,WINCH(W/O FREE-FALL),JIB(P
PO1030003-00 TADANO (CAB,BLUE/WHITE)

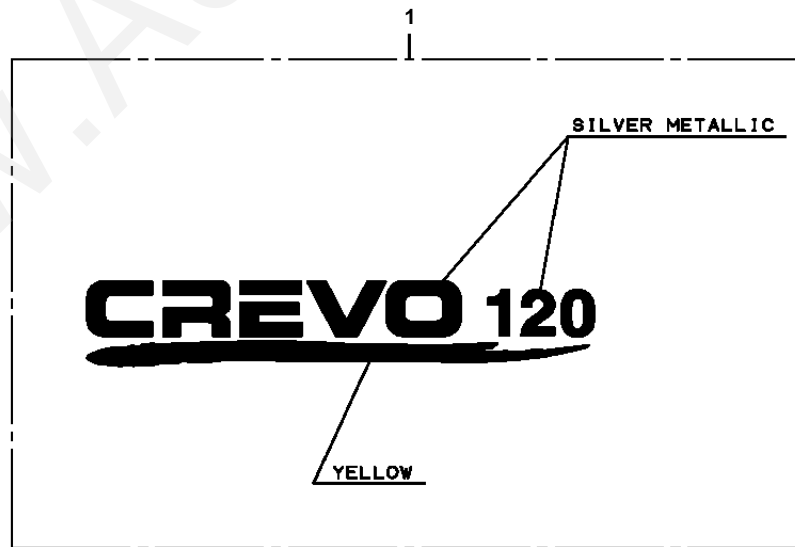
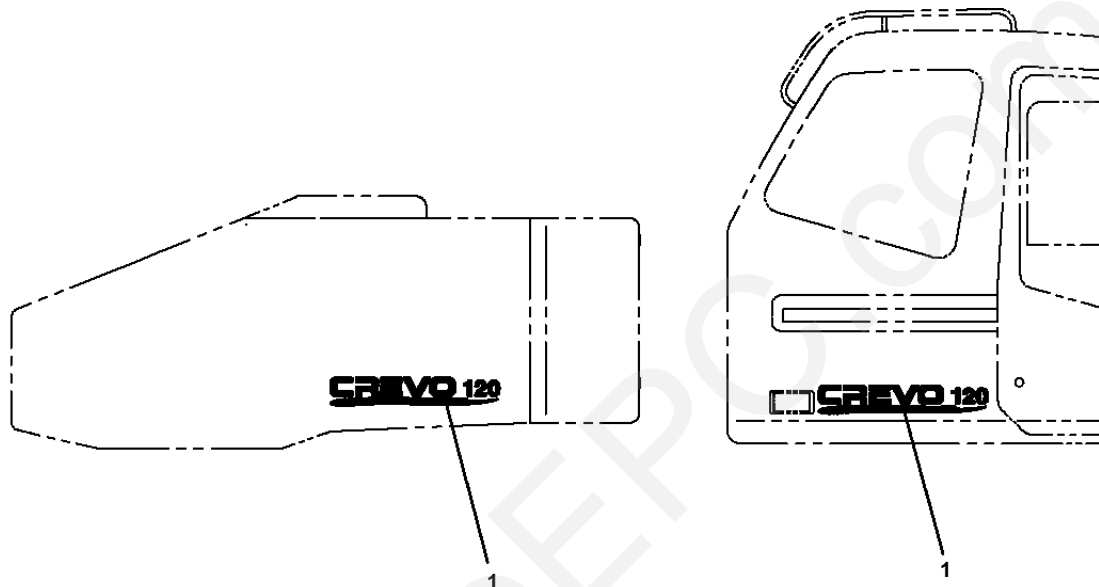


GR-120N-1-00111 12T,X,WINCH(W/O FREE-FALL),JIB(PT)

Pos No.	Parts No	Parts Name	Qty	Unit	Technical Data	Serial No (Start)	Serial No (End)	Remarks	Pages
1	34394243100	PLATE,NAME	1						

www.AutoEPC.com

GR-120N-1-00111 12T,X,WINCH(W/O FREE-FALL),JIB(P
PO1040025-00 CREVO (YELLOW/SILVER)

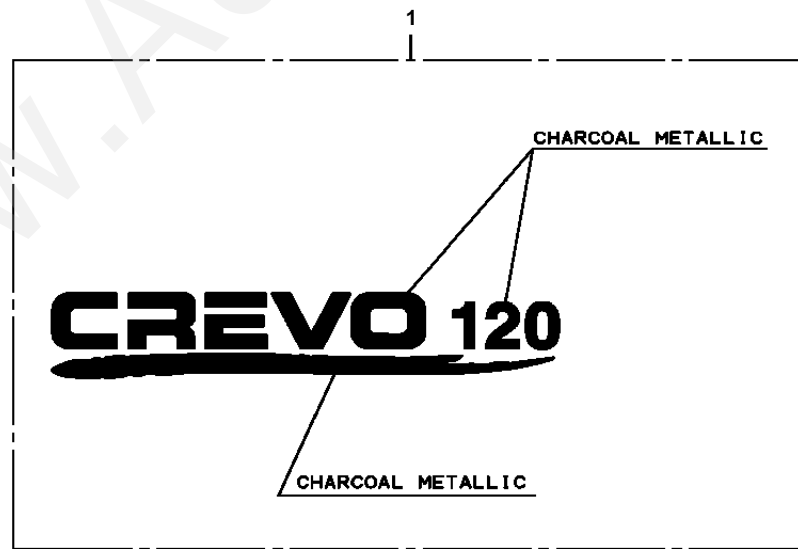
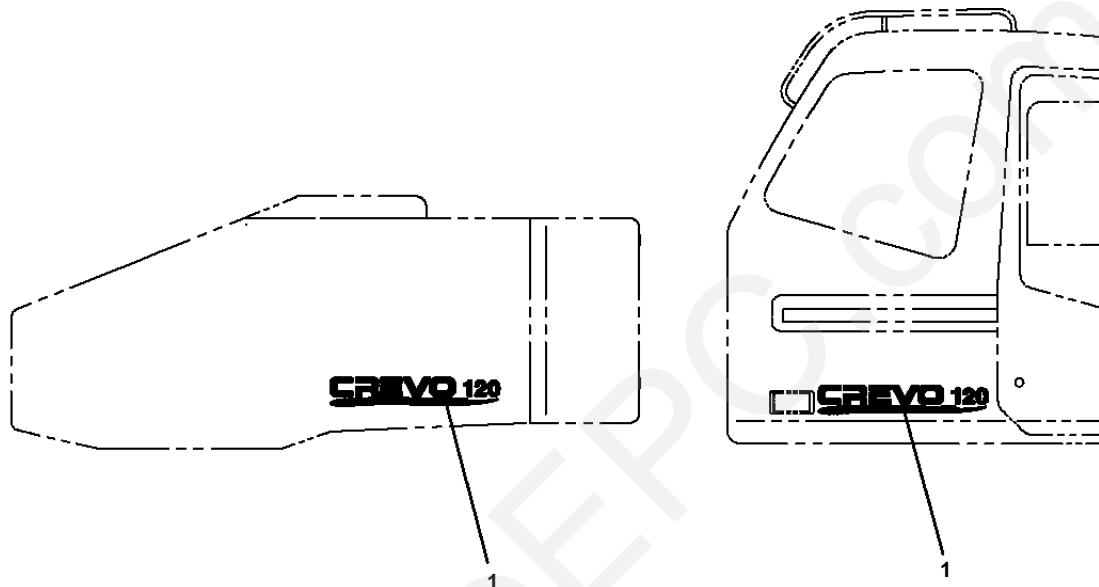


GR-120N-1-00111 12T,X,WINCH(W/O FREE-FALL),JIB(PT)

Pos No.	Parts No	Parts Name	Qty	Unit	Technical Data	Serial No (Start)	Serial No (End)	Remarks	Pages
1	34395511100	PLATE,NAME	2				FD0421		
	34395511101	PLATE,NAME	2			FD0422			

www.AutoEPC.com

GR-120N-1-00111 12T,X,WINCH(W/O FREE-FALL),JIB(P
PO1040026-00 CREVO (CHARCOAL/CHARCOAL)

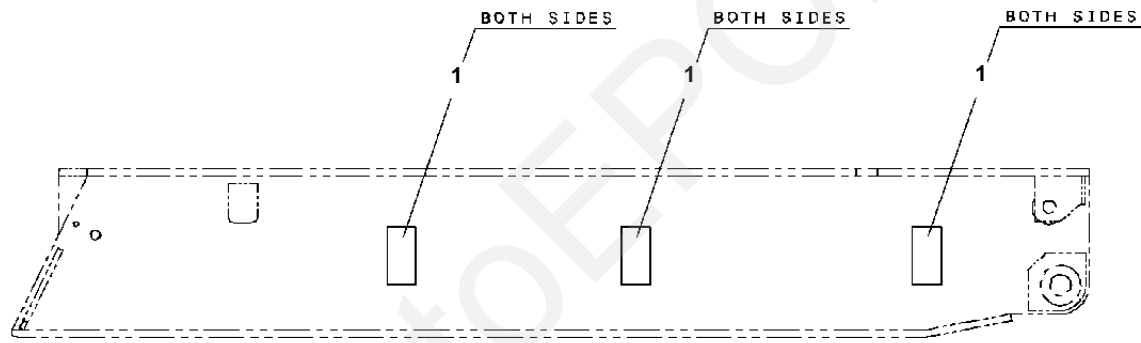


GR-120N-1-00111 12T,X,WINCH(W/O FREE-FALL),JIB(PT)

Pos No.	Parts No	Parts Name	Qty	Unit	Technical Data	Serial No (Start)	Serial No (End)	Remarks	Pages
1	34395512100	PLATE,NAME	2				FD0421		
	34395512101	PLATE,NAME	2			FD0422			

www.AutoEPC.com

GR-120N-1-00111 12T,X,WINCH(W/O FREE-FALL),JIB(P
PO1050079-00 MARKING (X-O/R)



GR-120N-1-00111 12T,X,WINCH(W/O FREE-FALL),JIB(PT)

Pos No.	Parts No	Parts Name	Qty	Unit	Technical Data	Serial No (Start)	Serial No (End)	Remarks	Pages
1	37002215770	PLATE,NAME (WHITE)	24				FD0169		
	37002224030	PLATE,NAME (WHITE)	24			FD0170			

www.AutoEPC.com

GR-120N-1-00111 12T,X,WINCH(W/O FREE-FALL),JIB(PT)
PO1080001-02 PLATE,NAME (LOW NOISE MARK)

当銘板については、弊社出先サービス員経由で御用命ください。

FOR THIS NAMEPLATE, CONTACT
TADANO DISTRIBUTOR OR DEALER.

GR-120N-1-00111 12T,X,WINCH(W/O FREE-FALL),JIB(PT)

Pos No.	Parts No	Parts Name	Qty	Unit	Technical Data	Serial No (Start)	Serial No (End)	Remarks	Pages
1	34394380100	PLATE,NAME (LOW NOISE MARK)	1						

www.AutoEPC.com

GR-120N-1-00111 12T,X,WINCH(W/O FREE-FALL),JIB(PT)
PO1080062-01 PLATE,NAME (EMISSION CONTROL STANDARD)

当銘板については、弊社出先サービス員経由で御用命ください。

FOR THIS NAMEPLATE, CONTACT
TADANO DISTRIBUTOR OR DEALER.

GR-120N-1-00111 12T,X,WINCH(W/O FREE-FALL),JIB(PT)

Pos No.	Parts No	Parts Name	Qty	Unit	Technical Data	Serial No (Start)	Serial No (End)	Remarks	Pages
1	34394370100	PLATE,NAME (EMISSION CONTROL STANDARD)	1						

www.AutoEPC.com

GR-120N-1-00111 12T,X,WINCH(W/O FREE-FALL),JIB(PT)
PO1080062-01 PLATE,NAME (EMISSION CONTROL STANDARD)

当銘板については、弊社出先サービス員経由で御用命ください。

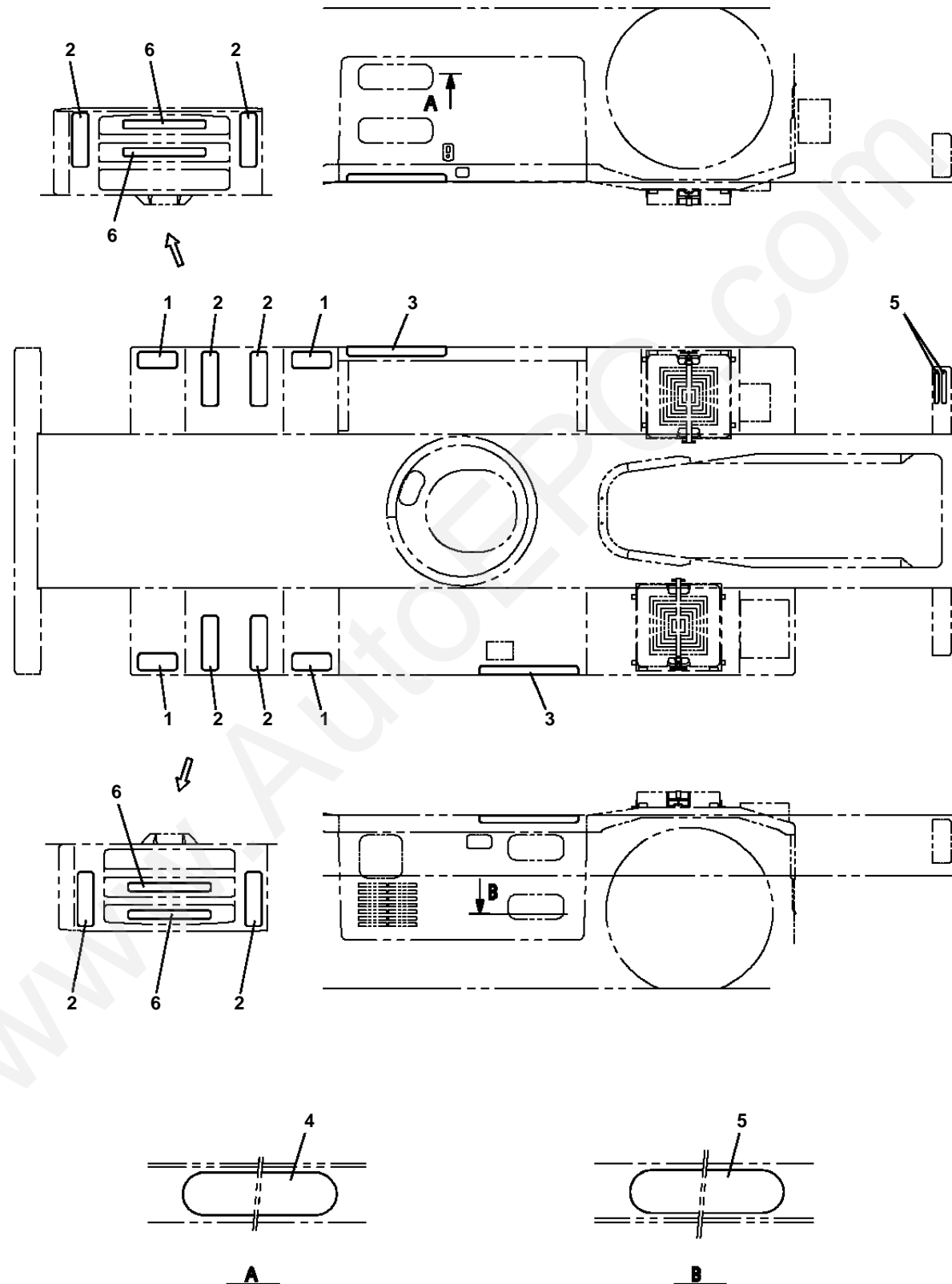
FOR THIS NAMEPLATE, CONTACT
TADANO DISTRIBUTOR OR DEALER.

GR-120N-1-00111 12T,X,WINCH(W/O FREE-FALL),JIB(PT)

Pos No.	Parts No	Parts Name	Qty	Unit	Technical Data	Serial No (Start)	Serial No (End)	Remarks	Pages
1	34395710100	PLATE,NAME (EMISSION CONTROL STANDARD)	1						

www.AutoEPC.com

GR-120N-1-00111 12T,X,WINCH(W/O FREE-FALL),JIB(P.T)
PO1090002-01 NON-SLIP PLATE

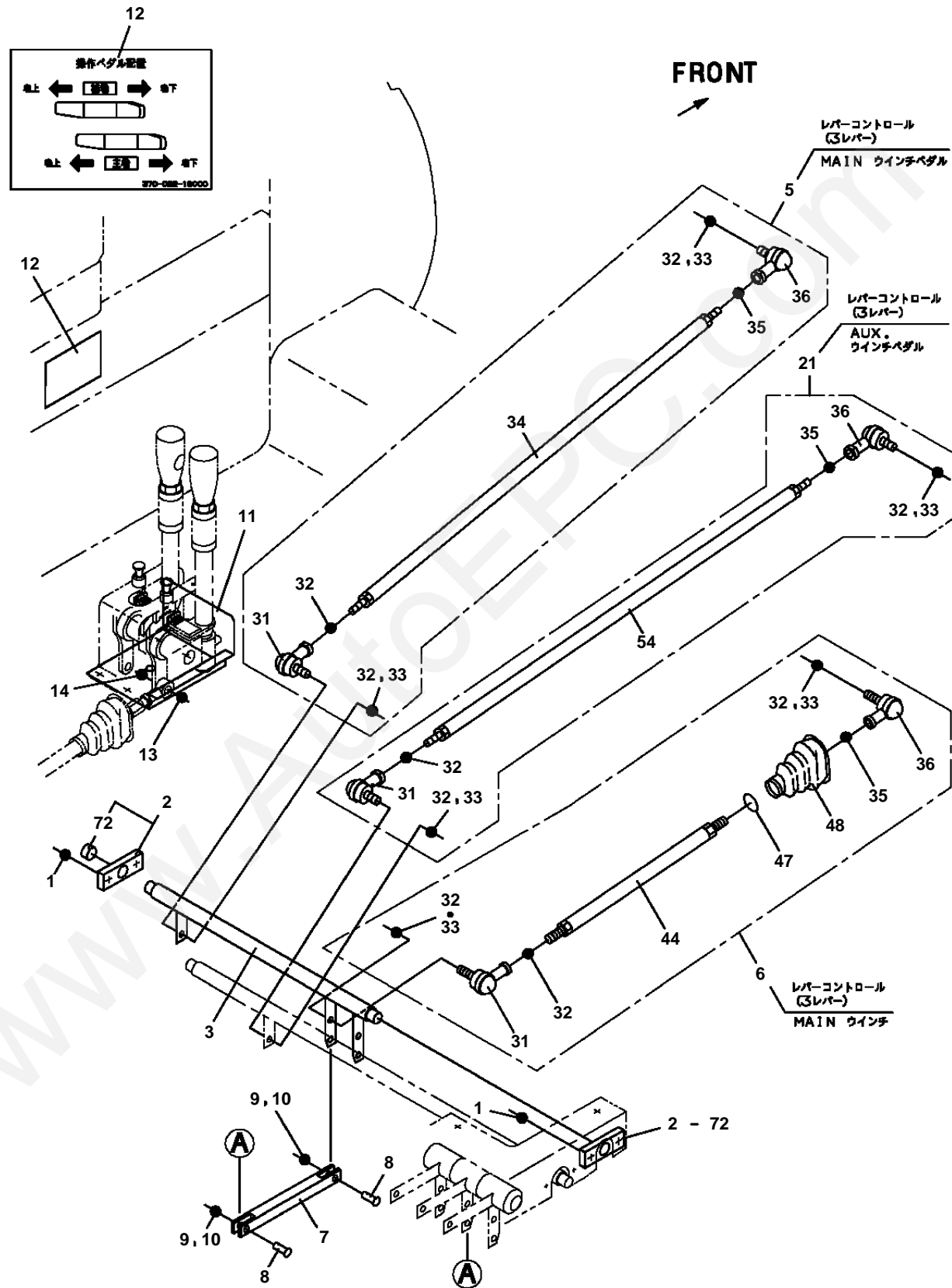


GR-120N-1-00111 12T,X,WINCH(W/O FREE-FALL),JIB(PT)

Pos No.	Parts No	Parts Name	Qty	Unit	Technical Data	Serial No (Start)	Serial No (End)	Remarks	Pages
1	34394186510	PLATE (NON-SLIP)	4				FD0219		
2	34393926540	PLATE (NON-SLIP)	4						
3	34393926520	PLATE (NON-SLIP)	2						
4	34393906540	PLATE (NON-SLIP)	2						
5	34393906550	PLATE (NON-SLIP)	4						
6	34393906520	PLATE (NON-SLIP)	4			FD0220			

www.AutoEPC.com

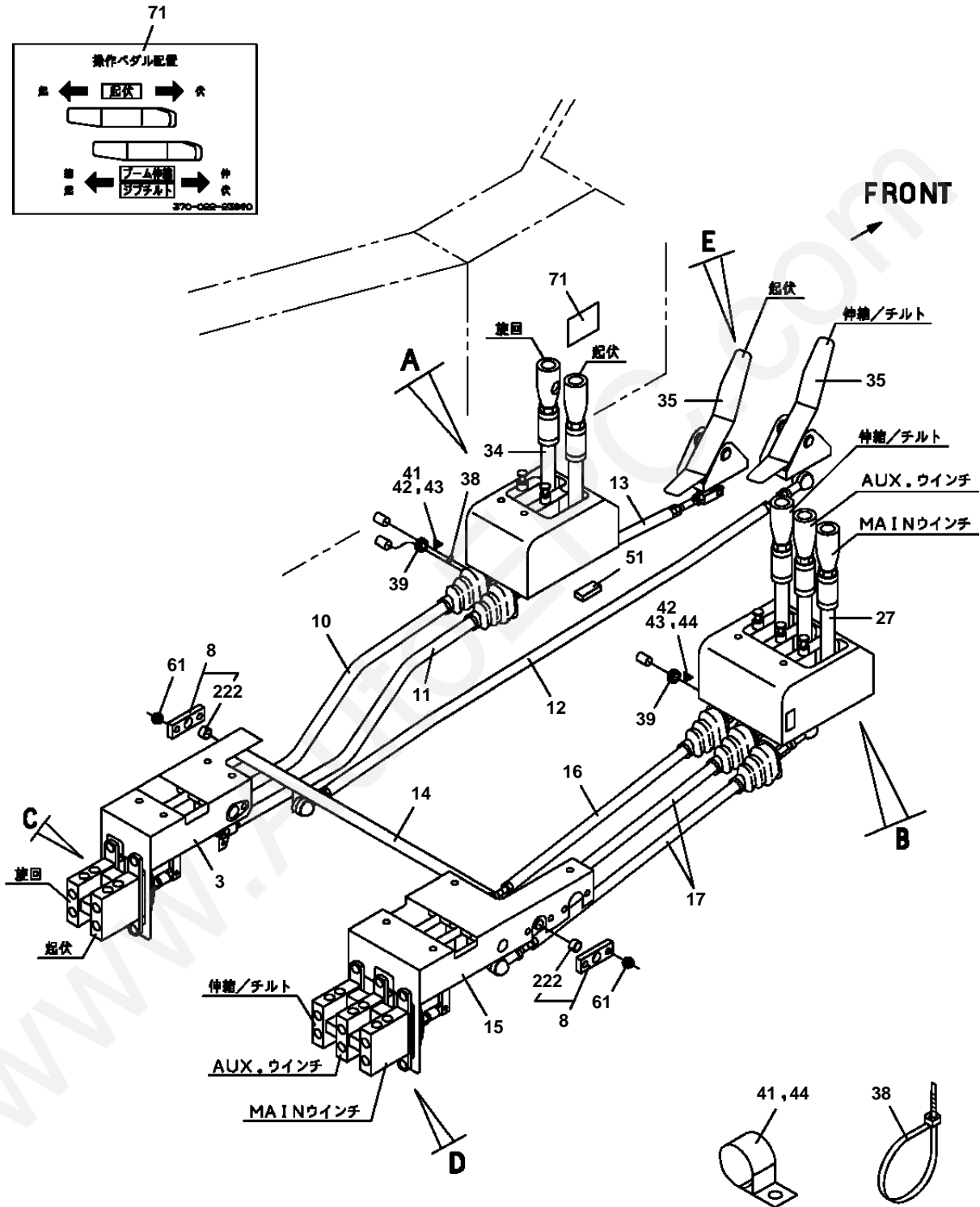
GR-120N-1-00111 12T,X,WINCH(W/O FREE-FALL),JIB(P.T)
 PO5080006-02 OPE.ASSY,CONT.VALVE (ISO:MAIN,AUX.PEDAL)



GR-120N-1-00111 12T,X,WINCH(W/O FREE-FALL),JIB(PT)

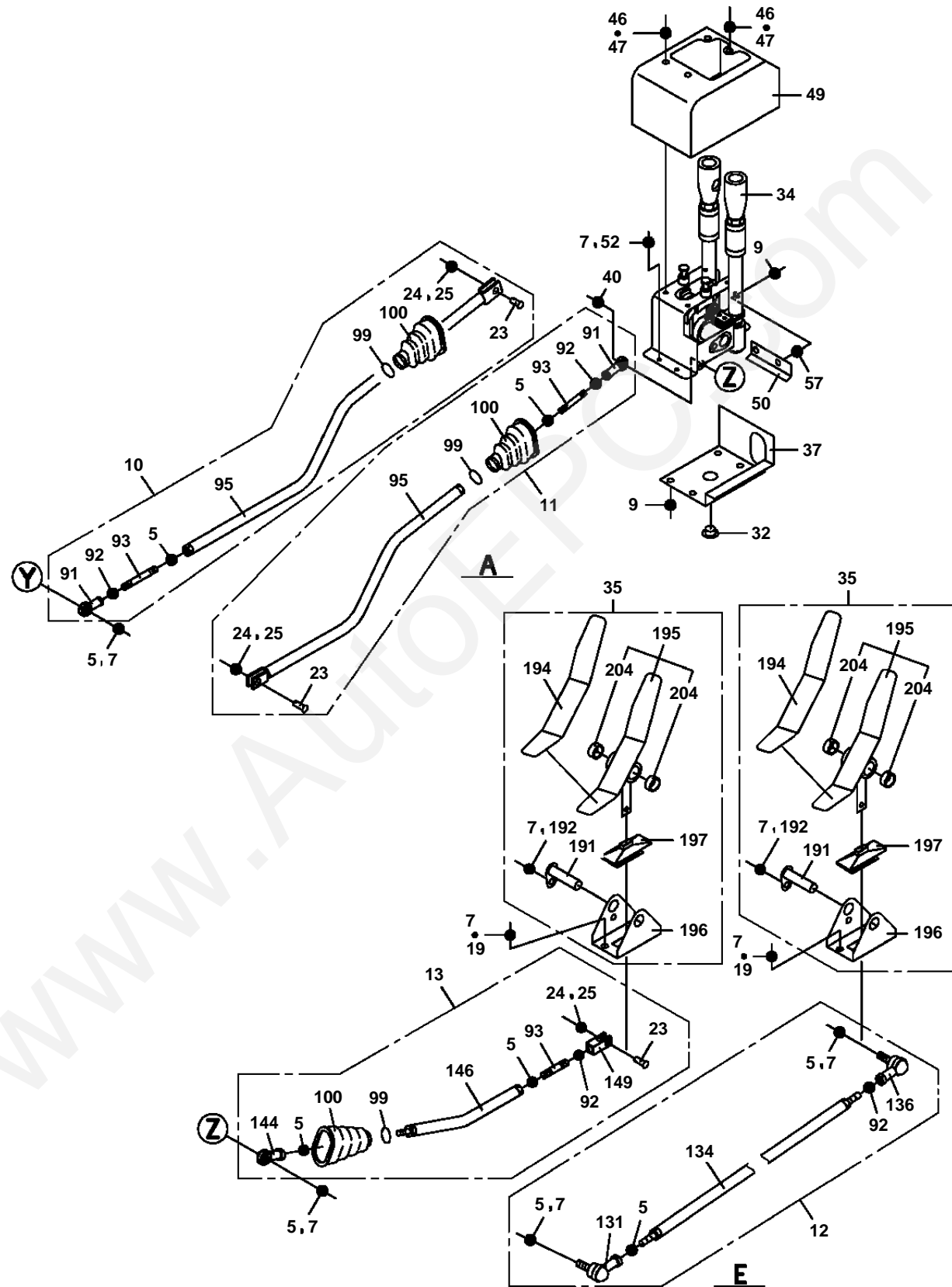
Pos No.	Parts No	Parts Name	Qty	Unit	Technical Data	Serial No (Start)	Serial No (End)	Remarks	Pages
1	99172106016	BOLT,TAPPING	4		M6X16				
2	34321960900	PLATE	2						
3	34322100100	LEVER	1						
5	34322120300	ROD ASSY	1						
6	34322100500	ROD ASSY	1						
7	34322100400	ROD	1						
8	37000105730	PIN	2						
9	80136320016	PIN,SPLIT	2		2X16				
10	90303070801	WASHER,PLAIN	2		8				
11	34322120500	COVER	1						
12	37002218000	PLATE,NAME	1						
13	37001506190	BOLT,BUTTON	1						
14	90203200800	NUT	1		M8				
21	34321614500	ROD ASSY	1						
31	80565000081	END	3						
32	90201200800	NUT	9		M8				
33	90302040801	WASHER,SPRING	6		8				
34	34322120400	ROD	1						
35	90291200800	NUT	3		M8				
36	80565000082	END	3						
44	34322100600	ROD	1						
47	82400000333	RING	1						
48	34321966700	BOOT	1						
54	34321614600	ROD	1						
72	80801001508	BEARING,PLAIN	2						

GR-120N-1-00111 12T,X,WINCH(W/O FREE-FALL),JIB(P.T)
 PO5080092-00 OPE.ASSY,CONT.VALVE

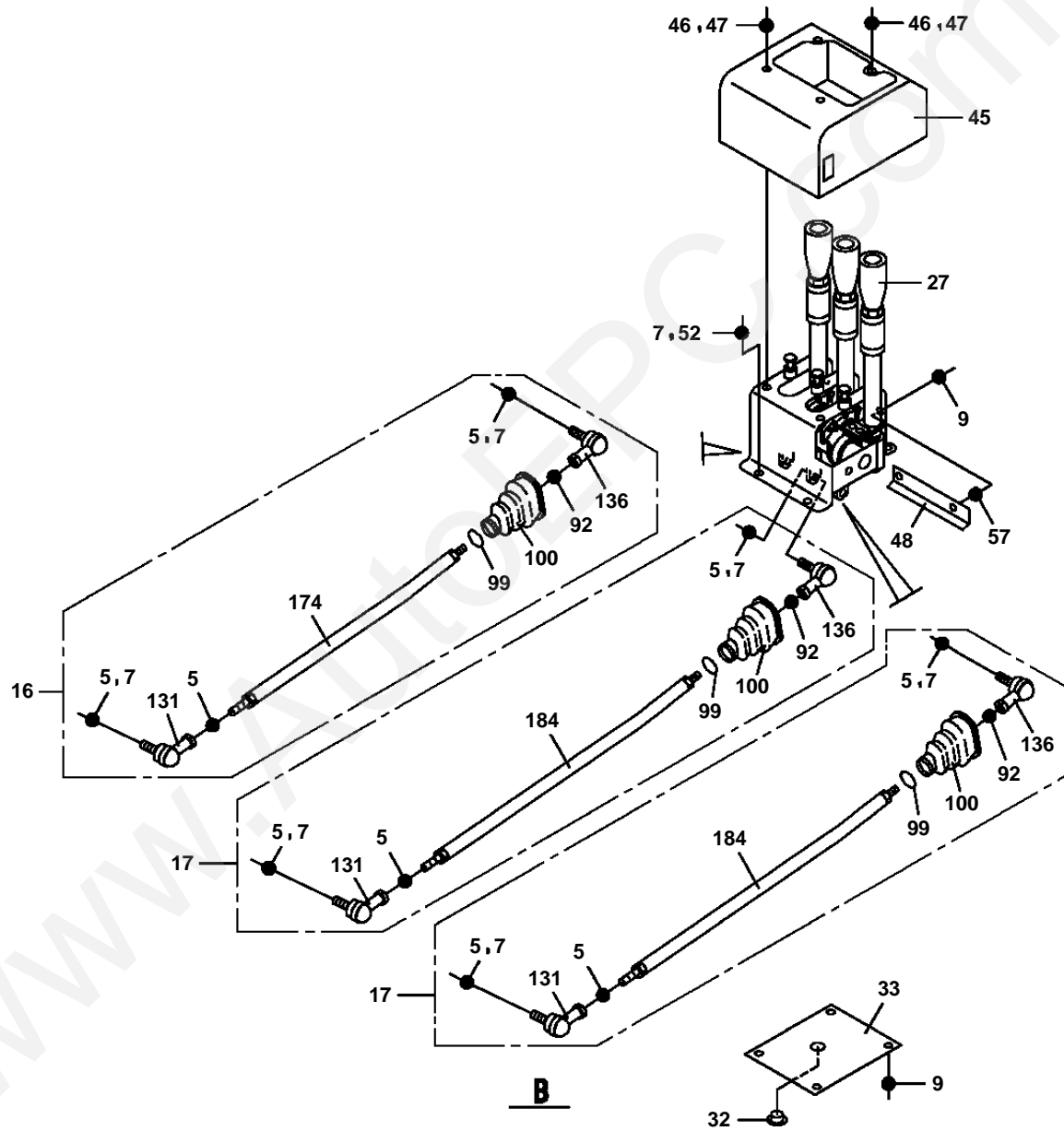


展開図有
 ILLUSTRATED BREAKDOWN NO. 3,10,11,12,13,15,16,17,35,7,35

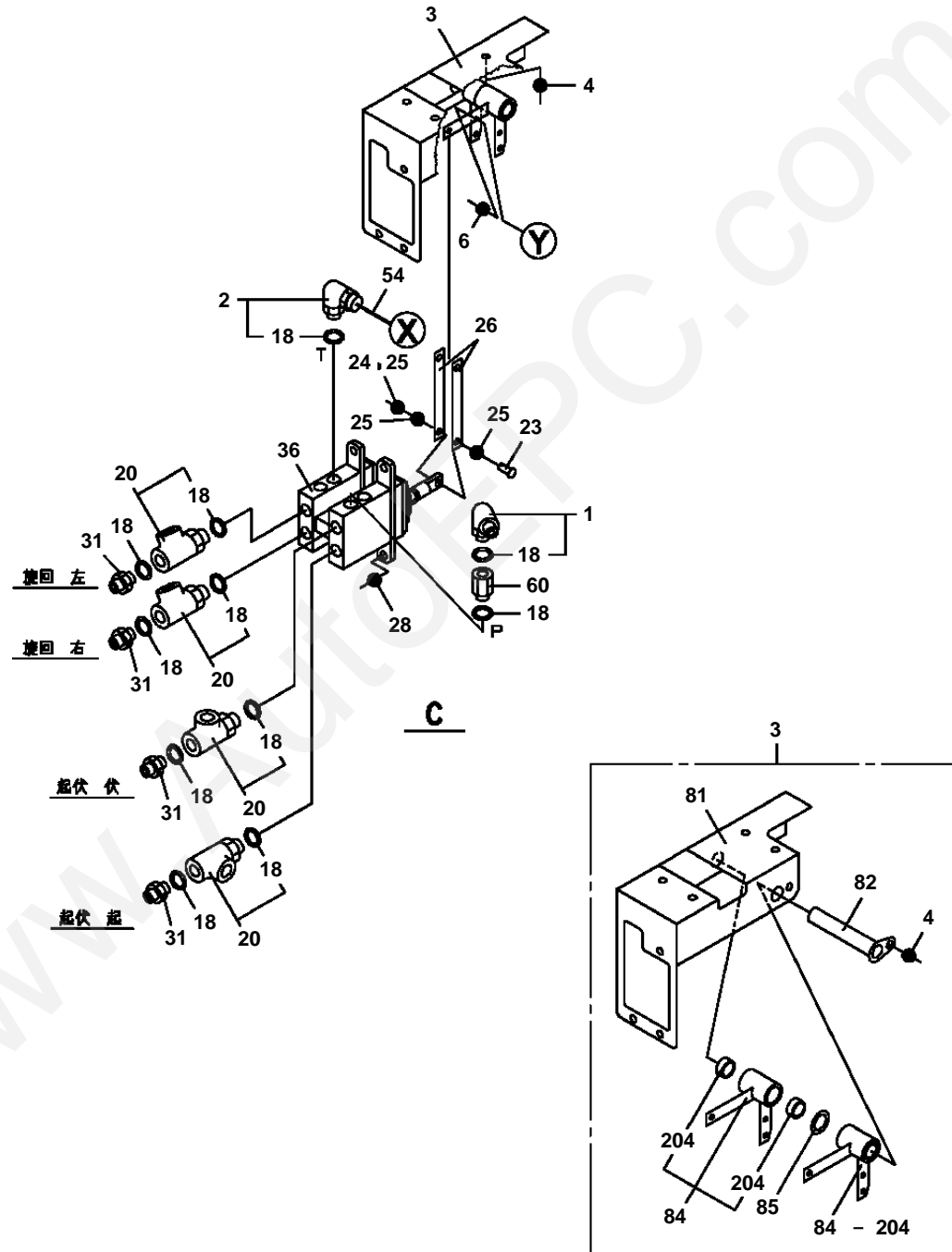
GR-120N-1-00111 12T,X,WINCH(W/O FREE-FALL),JIB(P
PO5080092-00 OPE.ASSY,CONT.VA



GR-120N-1-00111 12T,X,WINCH(W/O FREE-FALL),JIB(P
PO5080092-00 OPE.ASSY,CONT.VALVE



GR-120N-1-00111 12T,X,WINCH(W/O FREE-FALL),JIB(P.T)
 PO5080092-00 OPE.ASSY,CONT.VALVE



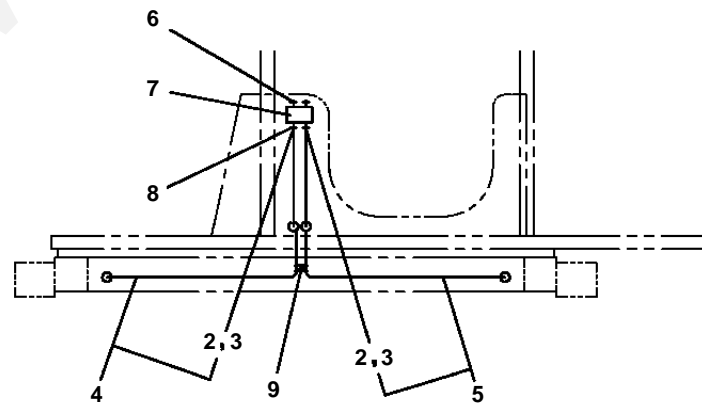
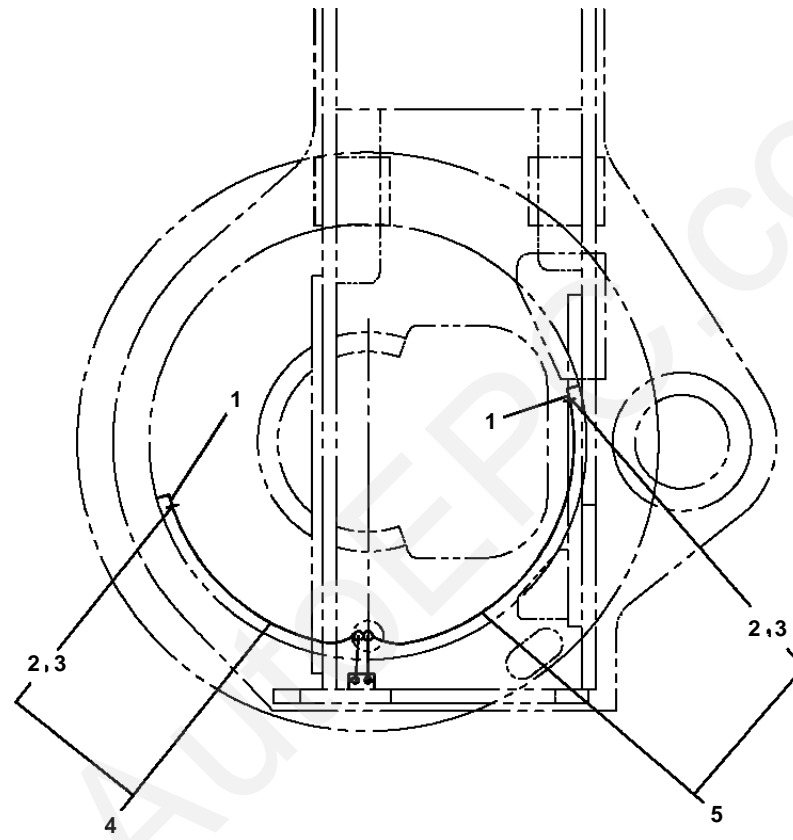
GR-120N-1-00111 12T,X,WINCH(W/O FREE-FALL),JIB(PT)

Pos No.	Parts No	Parts Name	Qty	Unit	Technical Data	Serial No (Start)	Serial No (End)	Remarks	Pages
1	36672530000	FILTER (WITH O-RING)	2						
2	80441030904	FITTING,ELBOW (WITH O-RING)	2		L,G1/4-12.7				
3	34321961000	LEVER ASSY	1						
4	99172108016	BOLT,TAPPING	10		M8X16				
5	90201200800	NUT	18		M8				
6	90101208030	BOLT	1		M8X30				
7	90302040801	WASHER,SPRING	25		8				
8	34321960900	PLATE	2						
9	99172106016	BOLT,TAPPING	12		M6X16				
10	34321962000	ROD ASSY	1						
11	34321960800	ROD ASSY	1						
12	34321614500	ROD ASSY	1						
13	34321972100	ROD ASSY	1						
14	34322030400	LEVER	1						
15	34321963000	LEVER ASSY	1						
16	34321961400	ROD ASSY	1						
17	34321961500	ROD ASSY	2						
18	91002801100	O-RING	25		1B P11				
19	90180208020	BOLT,BUTTON	4		M8X20				
20	37000925320	JOINT (FILTER,WITH O-RING)	10		T,3-G1/4		FD2839		
	37000932660	JOINT (WITH O-RING)	10		T G1/4-G1/4-G1/4	FD2840			
23	37000105730	PIN	15						
24	80136320016	PIN,SPLIT	15		2X16				
25	90303070801	WASHER,PLAIN	39		8				
26	37000582110	PLATE	12						
27	(*****)	LEVER,CONTROL (3 LEVER)	1						000164
28	99172108020	BOLT,TAPPING	8		M8X20				
30	36637750000	VALVE,CONTROL	1						000169
31	80400160127	JOINT	10						
32	34350002100	CAP	2						
33	34321960300	COVER	1						
34	(*****)	LEVER,CONTROL (2 LEVER)	1						000165
35	34321966000	PEDAL ASSY	2						
36	36638060000	VALVE,CONTROL	1						000170
37	34321960400	COVER	1						
38	91810130240	FASTENER	1						
39	82100000920	GROMMET	2						
40	90101208040	BOLT	1		M8X40				
41	82100002006	CLAMP	1		WR10				
42	90201200600	NUT	2		M6				
43	90302040601	WASHER,SPRING	2		6				
44	82100002002	CLAMP	1		WR6				
45	34321960601	COVER	1						
46	80186406016	SCREW,MACHINE	8		M6X16				
47	90305260601	WASHER	8		B1-6				
48	34321966500	SUPPORT	1						
49	34321960701	COVER	1						
50	34321966600	SUPPORT	1						
51	34321370050	CUSHION	1						
52	99191208020	BOLT,TAPPING (M8X20)	9						
54	89640101000	HOSE	2		880-NFK,1M				
56	80400160126	FITTING,TEE	1		20364-U1/2				
57	90303070601	WASHER,PLAIN	4		6				
58	90280200800	NUT,FLANGE	2		M8				
59	82100002009	CLAMP	1		WRC12				
60	37000928930	JOINT (ORIFICE)	1						

GR-120N-1-00111 12T,X,WINCH(W/O FREE-FALL),JIB(PT)

Pos No.	Parts No	Parts Name	Qty	Unit	Technical Data	Serial No (Start)	Serial No (End)	Remarks	Pages
61	90186206020	BOLT,FLANGE	4		M6X20				
71	37002223890	PLATE,NAME (PEDAL)	1						
81	34321961100	SUPPORT	1						
82	37000118050	PIN	1						
84	34321961200	LEVER	5						
85	37000588120	PLATE	1			FD1467			
91	80567000005	END	2						
92	90291200800	NUT	7		M8				
93	37001501540	BOLT	3						
95	34321962100	ROD	2						
99	82400000333	RING	6						
100	34321966700	BOOT	6						
131	80565000081	END	4						
134	34321614600	ROD	1						
136	80565000082	END	4						
144	80567000004	END	1						
146	34321972200	ROD	1						
149	34330051540	END	1						
161	34321963100	SUPPORT	1						
162	37000180380	PIN	1						
174	34321296210	ROD	1						
184	34321296110	ROD	2						
191	37000132540	PIN	2		20				
192	90101208012	BOLT	2		M8X12				
194	34321966100	COVER	2						
195	34321966200	PEDAL	2						
196	34321966300	SUPPORT	2						
197	34321966400	BOOT	2						
204	80801002010	BEARING,PLAIN	14						
222	80801001508	BEARING,PLAIN	2						

GR-120N-1-00111 12T,X,WINCH(W/O FREE-FALL),JIB(P
PP5120003-00 PARTS ASSY,GREASE (UPPER)



GR-120N-1-00111 12T,X,WINCH(W/O FREE-FALL),JIB(PT)

Pos No.	Parts No	Parts Name	Qty	Unit	Technical Data	Serial No (Start)	Serial No (End)	Remarks	Pages
1	82494000100	JOINT,ELBOW	2		L,G1/8-R1/8				
2	82493000100	NIPPLE	4						
3	82492000100	NUT,CAP	4						
4	34480098010	PIPE ASSY	1		6XT1 L=720				
5	34480098020	PIPE ASSY	1		6XT1 L=910				
6	82456101000	NIPPLE,GREASE	2		A-PT1/8				
7	37000900690	JOINT	1						
8	82491000100	JOINT	2		S,G1/8-R1/8				
9	91810130230	FASTENER	1						

www.AutoEPC.com

GR-120N-1-00111 12T,X,WINCH(W/O FREE-FALL),JIB(PT)
PP5240001-00 PLATE,NAME (STD OPERATION MARK)

当銘板については、弊社出先サービス員経由で御用命ください。

FOR THIS NAMEPLATE, CONTACT
TADANO DISTRIBUTOR OR DEALER.

GR-120N-1-00111 12T,X,WINCH(W/O FREE-FALL),JIB(PT)

Pos No.	Parts No	Parts Name	Qty	Unit	Technical Data	Serial No (Start)	Serial No (End)	Remarks	Pages
1	31397133200	PLATE,NAME (STD OPERATION MARK)	1						

www.AutoEPC.com

GR-120N-1-00111 12T,X,WINCH(W/O FREE-FALL),JIB(PT)
PP5240012-00 PLATE,NAME

当銘板については、弊社出先サービス員経由で御用命ください。

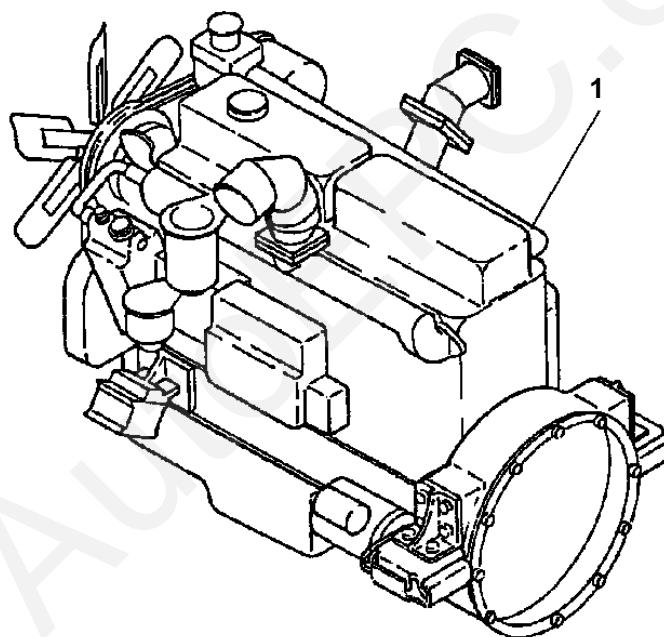
FOR THIS NAMEPLATE, CONTACT
TADANO DISTRIBUTOR OR DEALER.

GR-120N-1-00111 12T,X,WINCH(W/O FREE-FALL),JIB(PT)

Pos No.	Parts No	Parts Name	Qty	Unit	Technical Data	Serial No (Start)	Serial No (End)	Remarks	Pages
1	37002225160	PLATE,NAME	1						

www.AutoEPC.com

GR-120N-1-00111 12T,X,WINCH(W/O FREE-FALL),JIB(PT)
PQ1010001-01 ENGINE



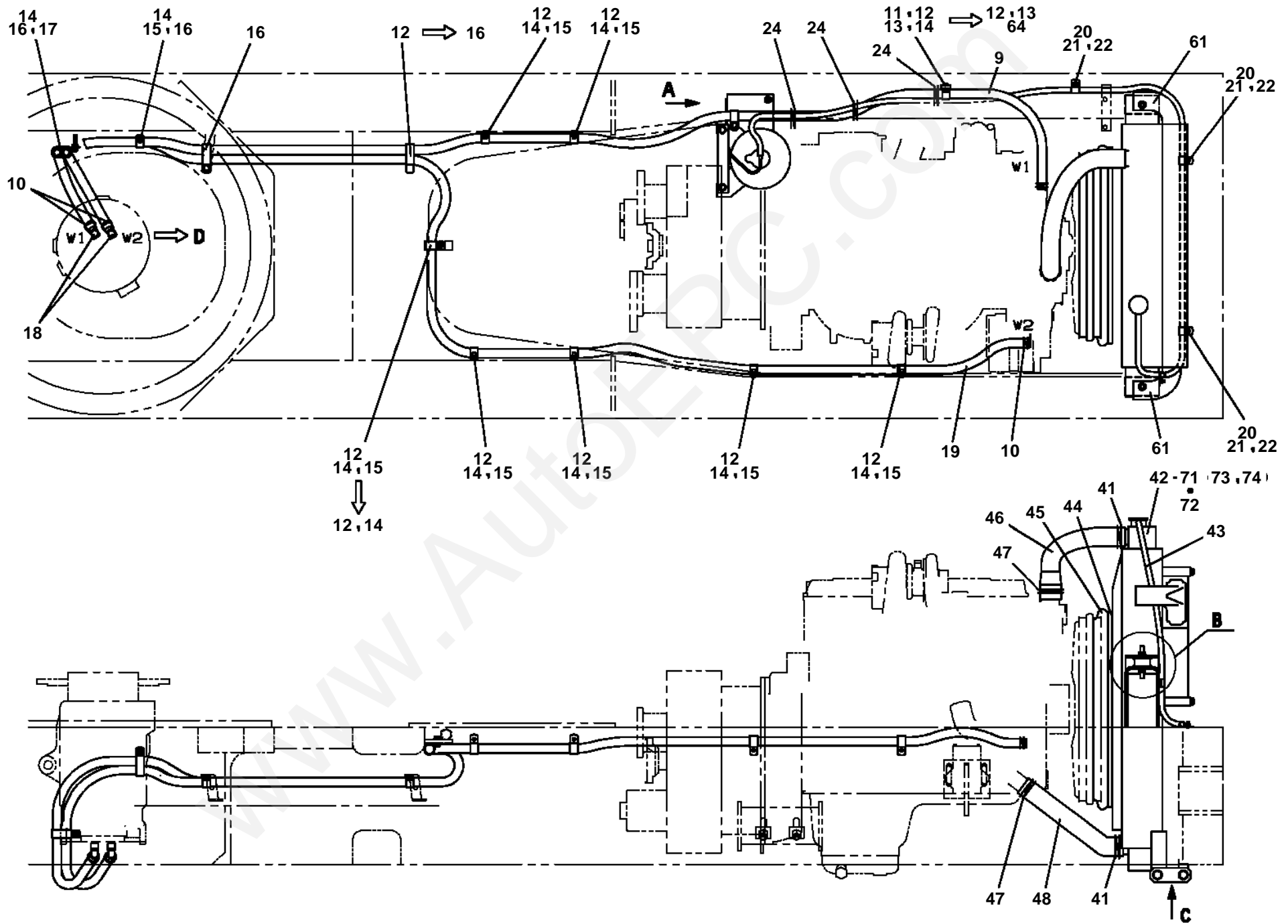
For the parts of the engine, refer to the parts catalog of the engine manufacturer.
エンジン部品については、エンジンメーカーのパーツカタログをご覧ください。

GR-120N-1-00111 12T,X,WINCH(W/O FREE-FALL),JIB(PT)

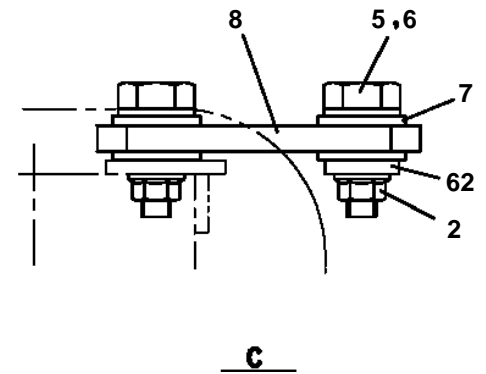
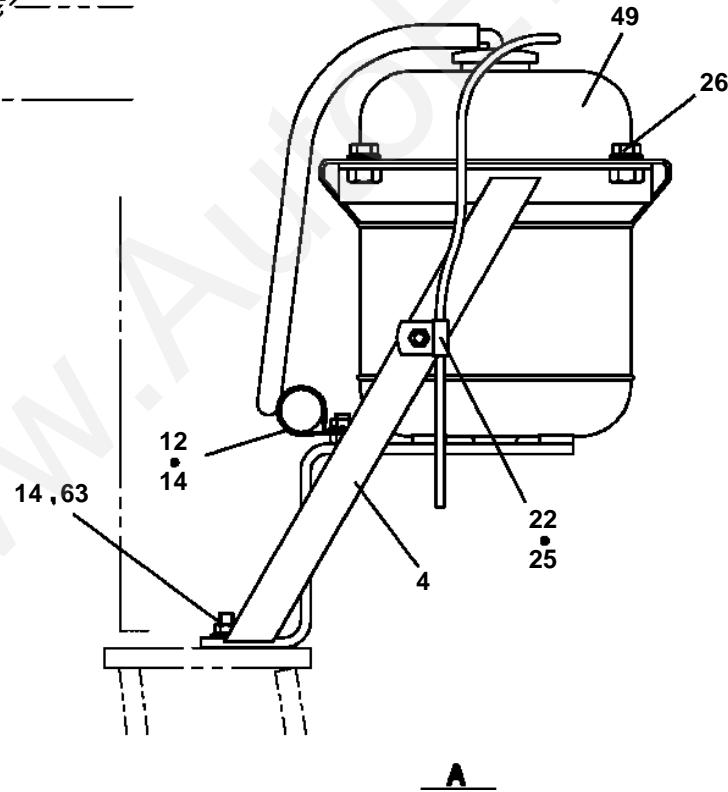
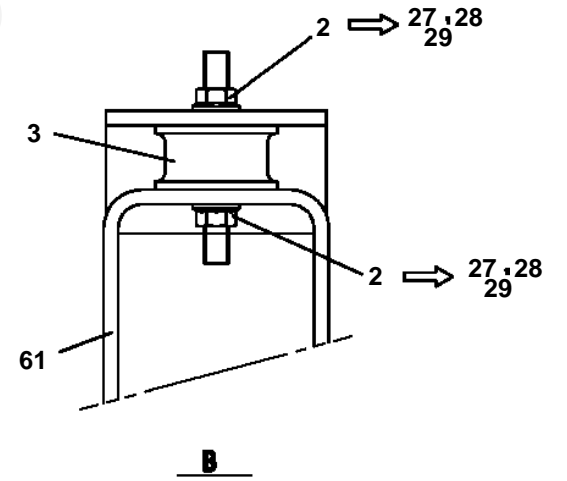
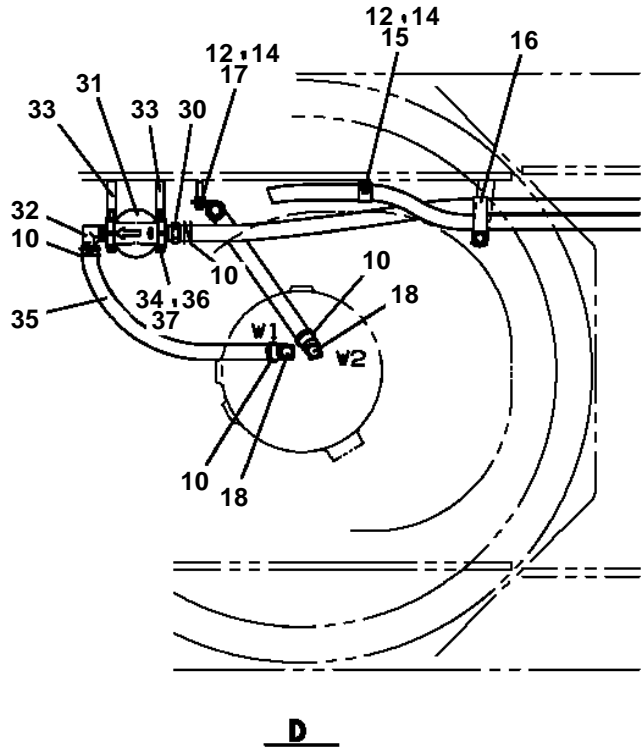
Pos No.	Parts No	Parts Name	Qty	Unit	Technical Data	Serial No (Start)	Serial No (End)	Remarks	Pages
1	36361120000	ENGINE	1						

www.AutoEPC.com

GR-120N-1-00111 12T,X,WINCH(W/O FREE-FALL),JIB(PT)
PQ1020068-06 RADIATOR INSTALLATION



GR-120N-1-00111 12T,X,WINCH(W/O FREE-FALL),JIB(P.T)
PQ1020068-06 RADIATOR INSTALLATION



GR-120N-1-00111 12T,X,WINCH(W/O FREE-FALL),JIB(PT)

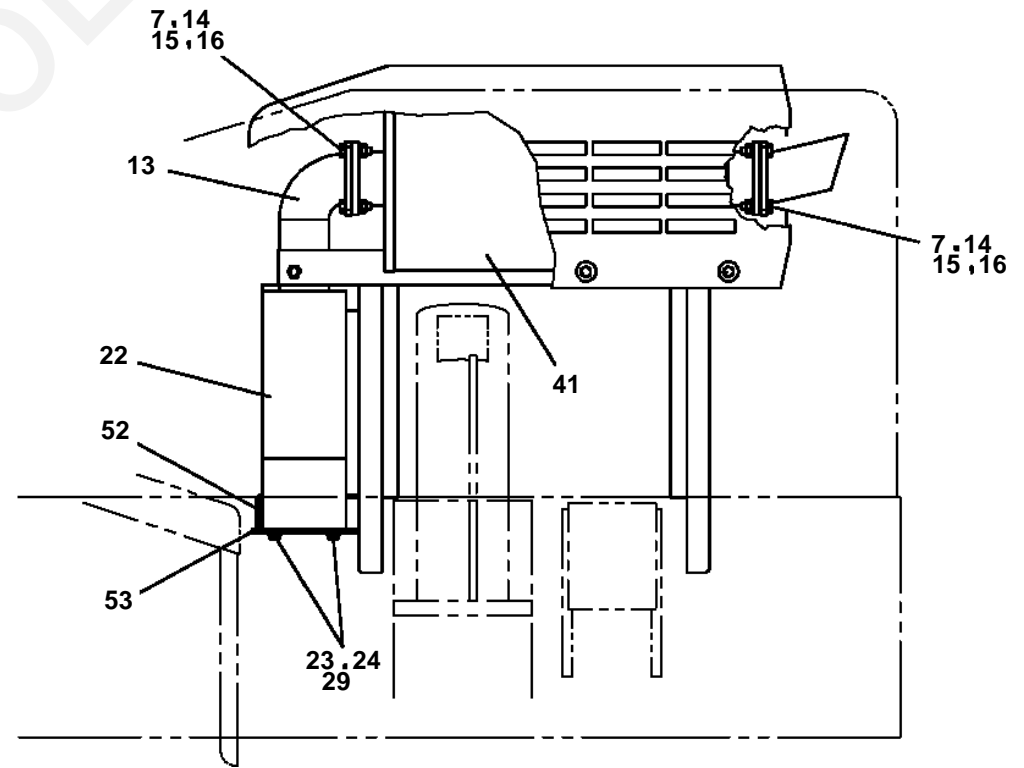
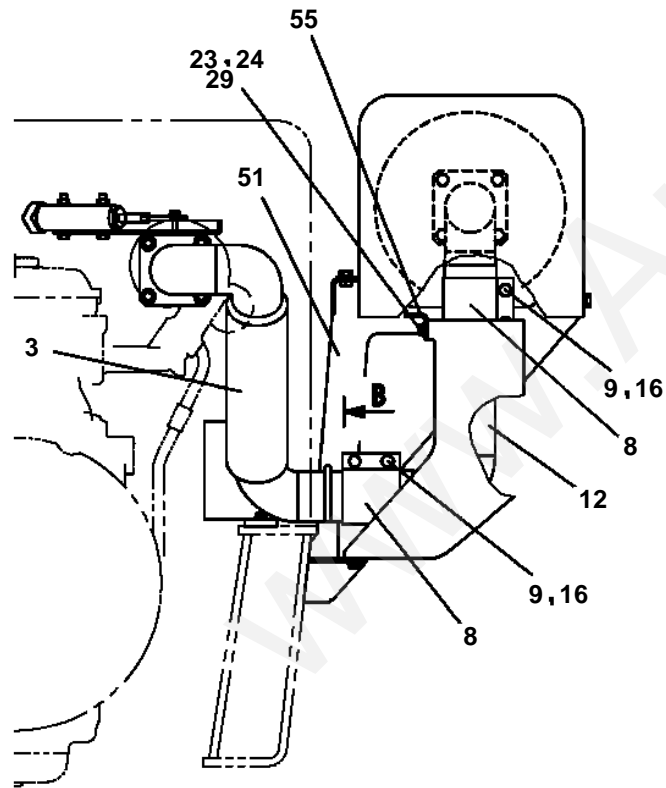
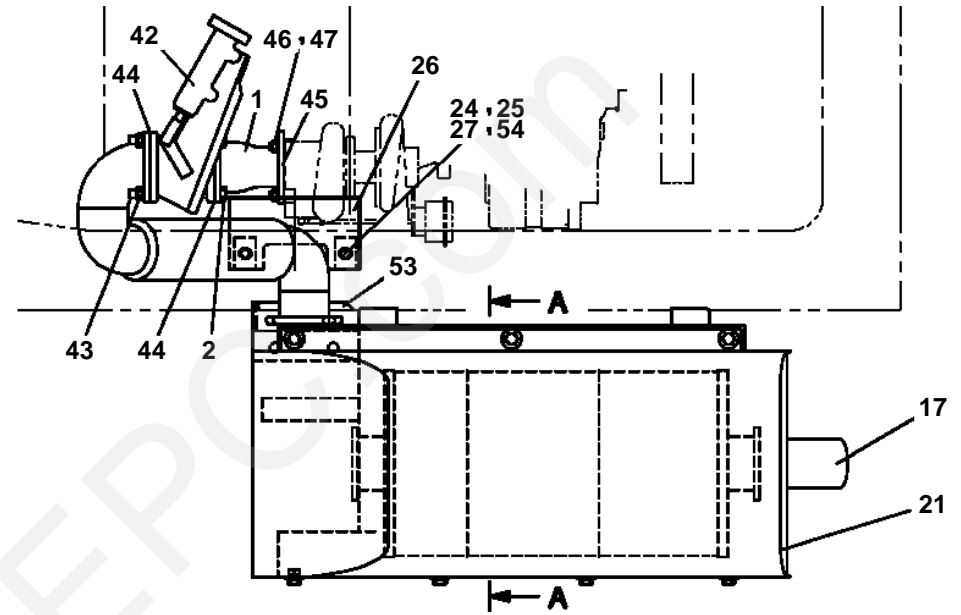
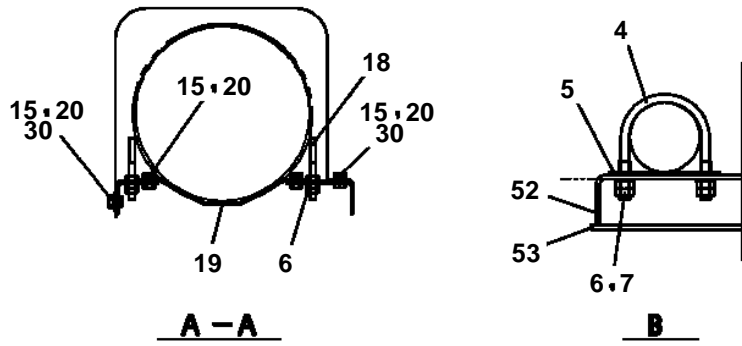
Pos No.	Parts No	Parts Name	Qty	Unit	Technical Data	Serial No (Start)	Serial No (End)	Remarks	Pages
2	90280201000	NUT,FLANGE	8		M10		FD0580		
	90280201000	NUT,FLANGE	4		M10	FD0581			
3	34780130300	CUSHION	2						
4	34781650100	SUPPORT	1						
5	56427051000	PIN	4						
6	90303071401	WASHER,PLAIN	4		14				
7	56427050000	GROMMET	4						
8	56427028000	SUPPORT	2						
9	37002513940	HOSE	1		L=3400		FD1009		
	37002515530	HOSE	1			FD1010			
10	91803600250	CLIP	4		D=18-25		FD1009		
	91803600250	CLIP	6		D=18-25	FD1010	FD1231		
	91801630024	CLIP	6		22.6-26.0	FD1232			
11	34781090500	SUPPORT	1				FD0036		
12	82100002016	CLAMP	11		WR25		FD1009		
	82100002016	CLAMP	13		WR25	FD1010			
13	90186208014	BOLT,FLANGE	1		M8X14				
14	90280200800	NUT,FLANGE	13		M8		FD0036		
	90280200800	NUT,FLANGE	12		M8	FD0037			
15	90155308020	BOLT,WELD	8		M8X20		FD0034		
	90155308020	BOLT,WELD	7		M8X20	FD0035			
16	82100002045	CLAMP	4		WE28		FD1009		
	82100002045	CLAMP	2		WE28	FD1010			
17	90155308055	BOLT,WELD	1		M8X55				
18	37000925270	JOINT	2				FD1231		
	37000925271	JOINT	2		45,R3/8-17	FD1232			
19	37002513790	HOSE	1		L=3850				
20	82100002008	CLAMP	4		WR12				
21	90155306015	BOLT,WELD	4		M6X15				
22	90280200600	NUT,FLANGE	5		M6				
24	91810130230	FASTENER	3				FD1288		
	91810130250	FASTENER	3			FD1289			
25	82100002002	CLAMP	1		WR6				
26	90186210014	BOLT,FLANGE	2		M10X14				
27	90201201000	NUT	4		M10	FD0581			
28	90302041001	WASHER,SPRING	4		10	FD0581			
29	90303071001	WASHER,PLAIN	4		10	FD0581			
30	37000931440	JOINT	1		S R1/2-17	FD1010			
31	34781951000	FILTER ASSY (WATER)	1			FD1010	FD1555		000139
	34781951002	FILTER ASSY (WATER)	1			FD1010			000070
32	37000931450	JOINT	1		L,R1/2-17	FD1010			
33	34781650200	SUPPORT	2			FD1010			
34	90101206055	BOLT	2		M6X55	FD1010			
35	37002515520	HOSE	1		L=650--500--430	FD1010			
36	90302040601	WASHER,SPRING	2		6	FD1010			
37	90303070601	WASHER,PLAIN	2		6	FD1010			
41	36361123070	CLAMP	2						
42	36361125020	RADIATOR ASSY	1						
43	36361123130	HOSE (FOR TANK, RESERVOIR)	1						
44	36361123110	CLAMP	1						
45	36361123100	GUIDE(FAN RING SEAL)	1						
46	36361123050	HOSE (RADIATOR INLET)	1						
47	36361123080	CLAMP	2						
48	36361123060	HOSE (RADIATOR OUTLET)	1						
49	36361123140	TANK,RESERVOR	1						
61	34781651100	SUPPORT	2						

GR-120N-1-00111 12T,X,WINCH(W/O FREE-FALL),JIB(PT)

Pos No.	Parts No	Parts Name	Qty	Unit	Technical Data	Serial No (Start)	Serial No (End)	Remarks	Pages
62	3130000020	PLATE	2						
63	90155308020	BOLT,WELD	3		M8X20				
64	37000508070	PLATE	1			FD0037			
71	36361125030	RADIATOR	1						
72	36361125040	COOLER	1						
73	36360957510	CAP	1						
74	36330095110	COCK,DRAIN	1						

www.AutoEPC.com

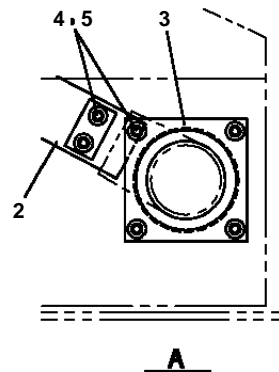
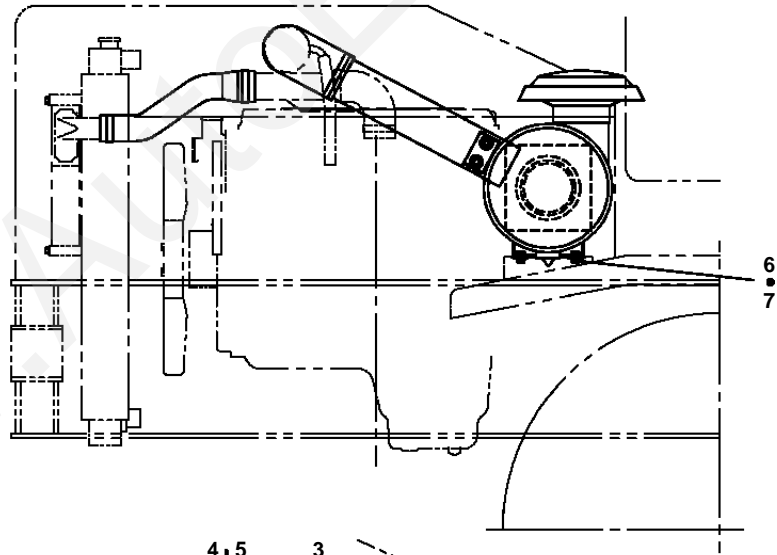
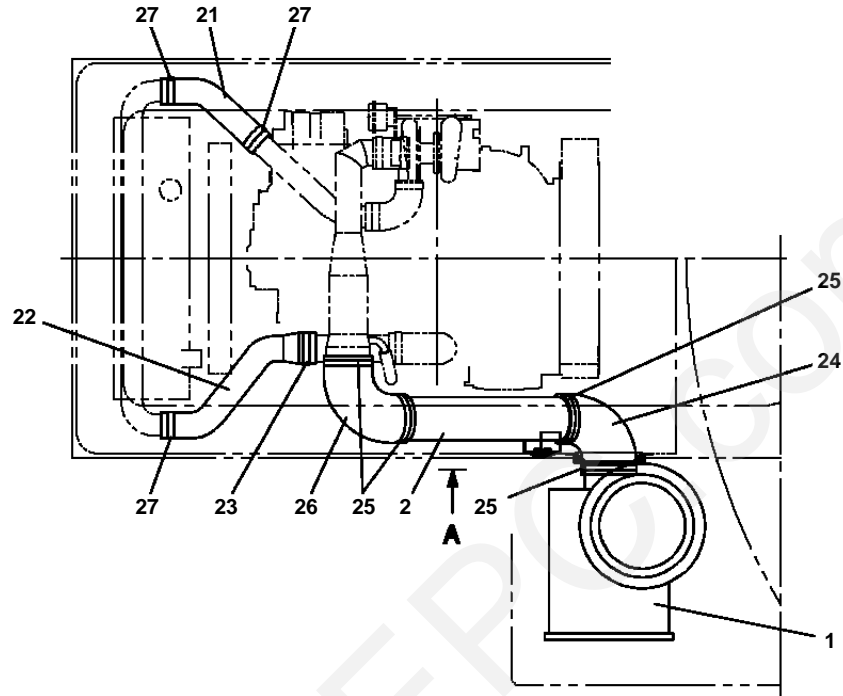
GR-120N-1-00111 12T,X,WINCH(W/O FREE-FALL),JIB(PT)
PQ1040044-00 EXHAUST



GR-120N-1-00111 12T,X,WINCH(W/O FREE-FALL),JIB(PT)

Pos No.	Parts No	Parts Name	Qty	Unit	Technical Data	Serial No (Start)	Serial No (End)	Remarks	Pages
1	34781630100	PIPE	1						
2	90193212140	BOLT	4		M12X140				
3	34781632100	PIPE	1						
4	90162260650	U-BOLT	1		M10X65A				
5	34781630700	PLATE	1						
6	90201201000	NUT	16		M10				
7	90303071001	WASHER,PLAIN	10		10				
8	34781634000	CLAMP ASSY	2						
9	90171110030	BOLT	4		M10X30				
12	34781632200	PIPE	1						
13	34781632300	PIPE	1						
14	90171110040	BOLT	8		M10X40				
15	90302041001	WASHER,SPRING	21		10				
16	90201481000	NUT	12		M10				
17	34781630501	PIPE	1						
18	34780430500	BAND	2						
19	34781632600	SUPPORT	1						
20	90101210020	BOLT	13		M10X20				
21	34781630402	COVER	1						
22	34781632500	COVER	1						
23	90101208020	BOLT	4		M8X20				
24	90302040801	WASHER,SPRING	6		8				
25	90303070801	WASHER,PLAIN	2		8				
26	34781632400	COVER	1						
27	90101208012	BOLT	2		M8X12				
29	37000547660	PLATE	4		T=2.3				
30	31860960300	SPACER	7		T=1.6				
	37000549940	PLATE	7		T=3.2	FD0284	FD0283		
41	36361121090	MUFFLER	1						
42	36361121040	VALVE,EXHAUST (BRAKE)	1						
43	36360011030	NUT	4		M12				
44	36360301050	GASKET	2						
45	36361121010	GASKET	1						
46	36361121020	NUT	3		M10				
47	36361121030	BOLT,STUD	3						
51	34781631103	SUPPORT	1						
52	34781631400	SUPPORT	1						
53	34781631500	PLATE	1						
54	37000571480	PLATE	2						
55	34781631600	SUPPORT	1						

GR-120N-1-00111 12T,X,WINCH(W/O FREE-FALL),JIB(P.T)
PQ1060033-01 AIR INTAKE INSTALLATION

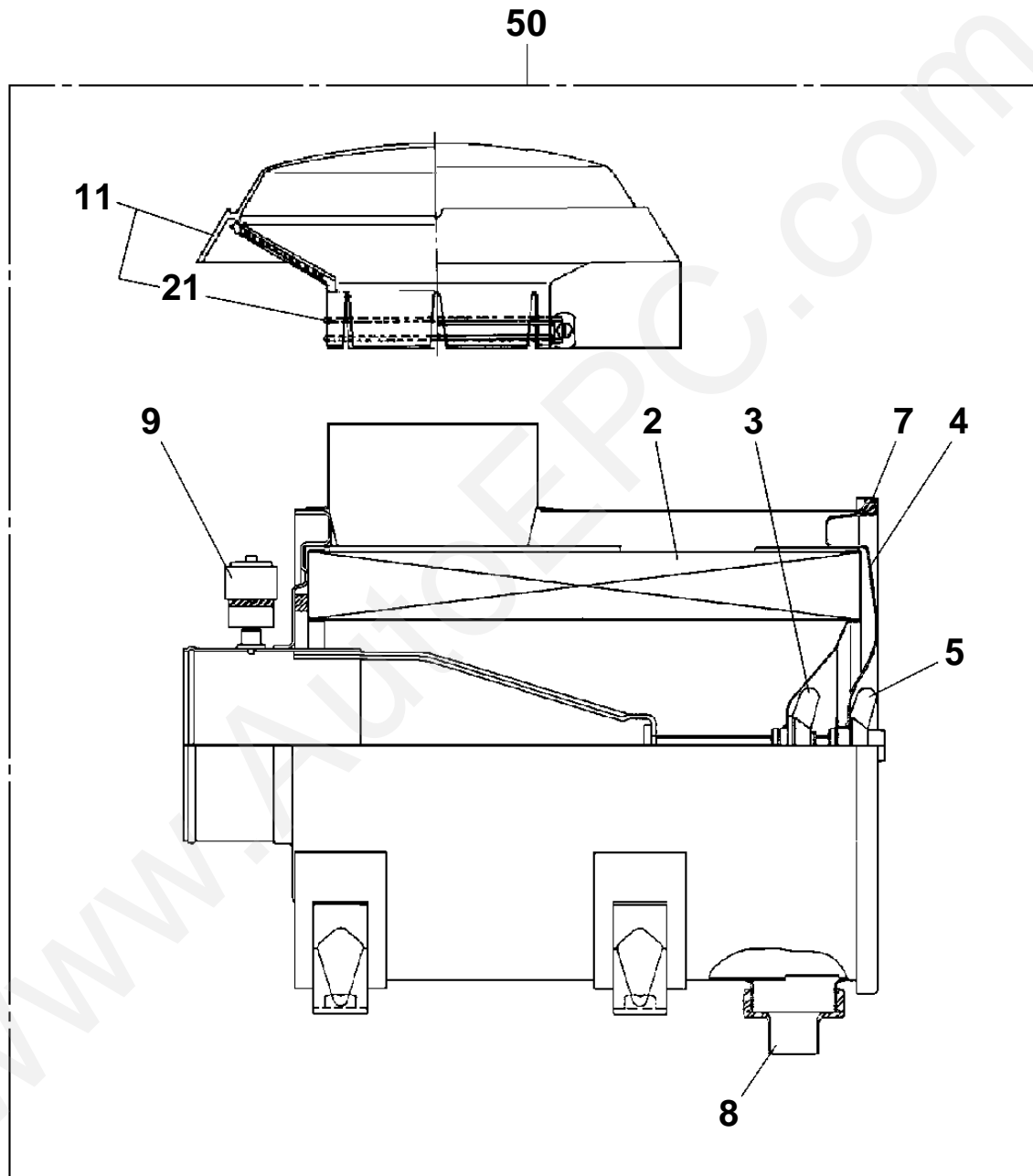


GR-120N-1-00111 12T,X,WINCH(W/O FREE-FALL),JIB(PT)

Pos No.	Parts No	Parts Name	Qty	Unit	Technical Data	Serial No (Start)	Serial No (End)	Remarks	Pages
1	34781641000	CLEANER,AIR	1						000235
2	34781640100	PIPE	1						
3	34781640200	COVER	1						
4	90186208014	BOLT,FLANGE	6		M8X14				
5	37000547660	PLATE	6		T=2.3				
6	90186210020	BOLT,FLANGE	4		M10X20				
7	37000505950	PLATE	4		T=3.2				
21	36361123010	HOSE	1						
22	36361123020	HOSE	1						
23	36361123030	CLIP	1						
24	36360351130	HOSE (ELBOW)	1						
25	36360351140	CLAMP	4						
26	36360561020	HOSE (ELBOW)	1						
27	36361123160	CLIP (FOR INTER COOLER HOSE)	3						

www.AutoEPC.com

GR-120N-1-00111 12T,X,WINCH(W/O FREE-FALL),JIB(P
PQ1070038-01 CLEANER,AIR

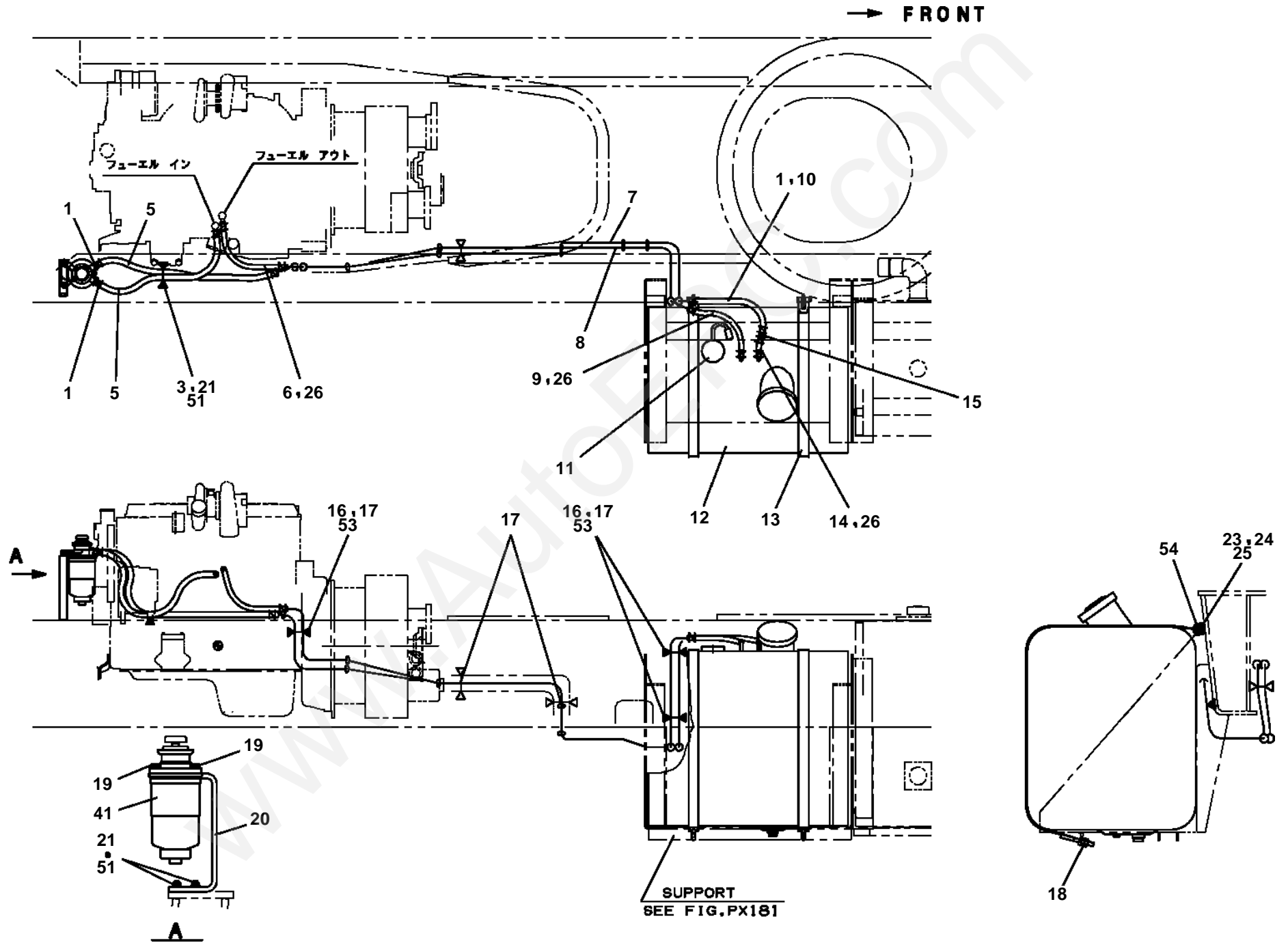


GR-120N-1-00111 12T,X,WINCH(W/O FREE-FALL),JIB(PT)

Pos No.	Parts No	Parts Name	Qty	Unit	Technical Data	Serial No (Start)	Serial No (End)	Remarks	Pages
2	34781647510	ELEMENT	1						
3	34780437550	GASKET ASSY (NUT)	1						
4	34780527540	COVER ASSY	1						
5	34780527530	CAP ASSY,NUT	1						
7	34780527520	GASKET	1						
8	34780437510	VALVE	1						
9	34670015130	INDICATOR	1						
11	34780521100	CAP (RAIN)	1						
21	34780527550	CLAMP ASSY	1						
50	34781641000	CLEANER,AIR	1						

www.AutoEPC.com

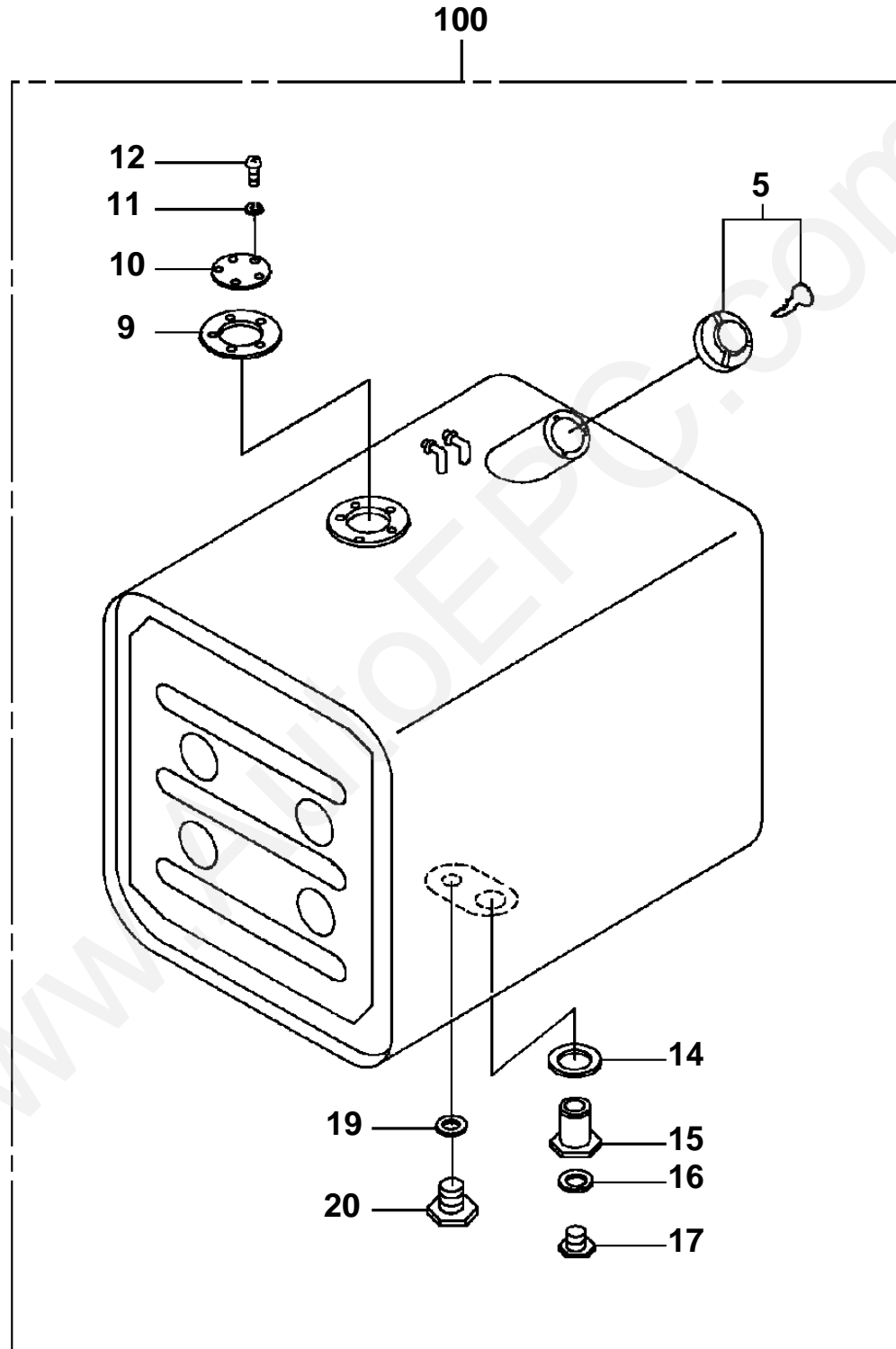
GR-120N-1-00111 12T,X,WINCH(W/O FREE-FALL),JIB(P.T)
 PQ1090075-00 TANK,FUEL INSTALLATION



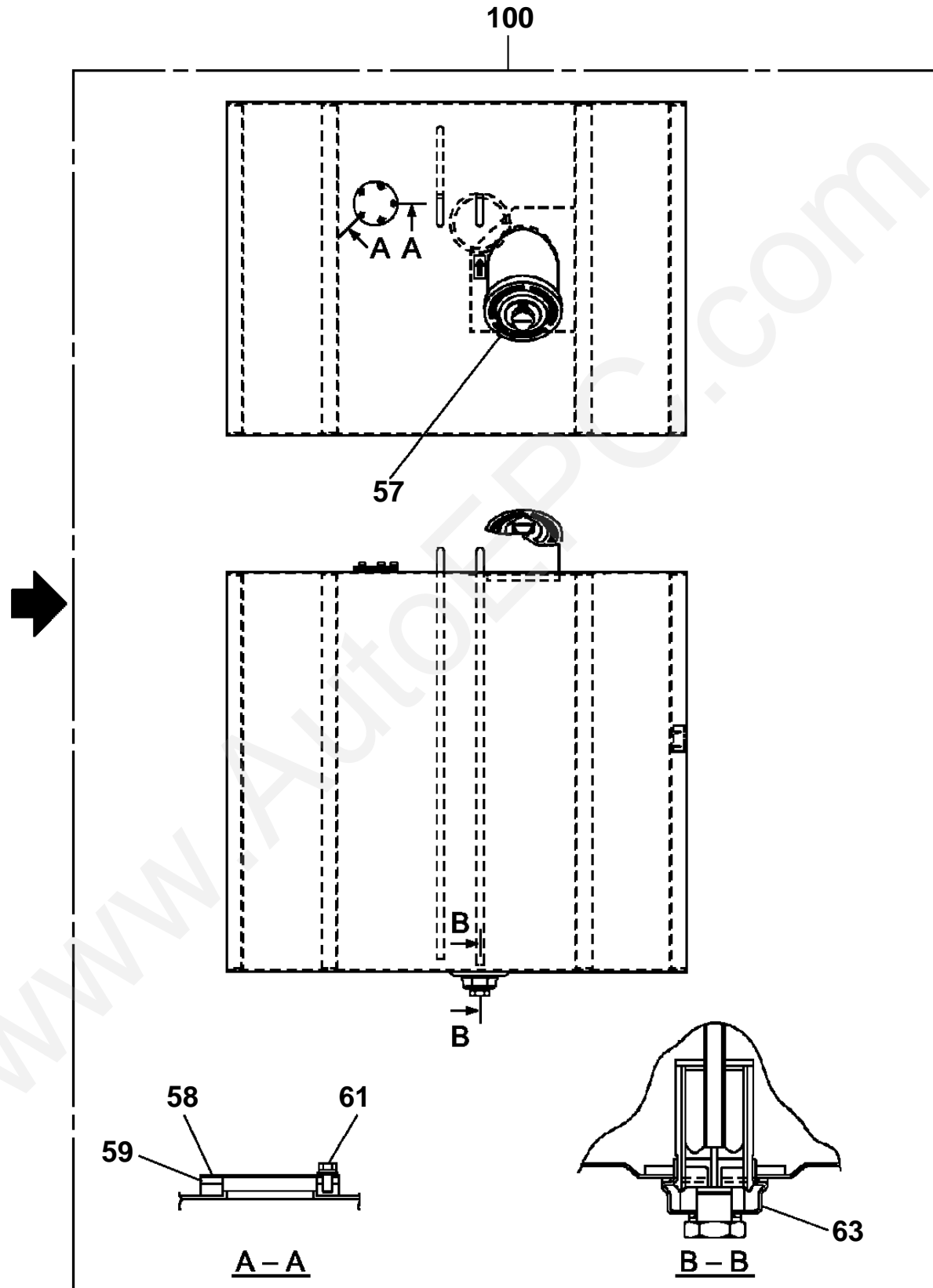
GR-120N-1-00111 12T,X,WINCH(W/O FREE-FALL),JIB(PT)

Pos No.	Parts No	Parts Name	Qty	Unit	Technical Data	Serial No (Start)	Serial No (End)	Remarks	Pages
1	91803600200	CLIP	6		D=13-20				
3	8210002041	CLAMP	1						
5	34880580110	HOSE	2		L=750				
6	34880060370	HOSE	1		L=370				
7	34880588010	PIPE ASSY	1						
8	34880588020	PIPE ASSY	1				FD1360		
	34880588030	PIPE ASSY	1			FD1361			
9	34880250220	HOSE	1		L=220				
10	34880580130	HOSE	1		L=220				
11	36180050000	SENDER,FUEL	1						
12	36101520000	TANK,FUEL (200L)	1						000237
13	34880390201	BAND	2						
14	34780020080	HOSE	1		10,L=80				
15	37000802860	JOINT	1		10-12				
16	37000701510	CLAMP ASSY	3		12X2				
17	37000300720	SLEEVE	5		12-10				
18	90201201000	NUT	4		M10				
19	90186208025	BOLT,FLANGE	2		M8X25				
20	34880580100	SUPPORT	1						
21	90280200800	NUT,FLANGE	3		M8				
23	90303071201	WASHER,PLAIN	2		12				
24	37000104230	PIN	2						
25	80136332025	PIN,SPLIT	2		3.2X25				
26	91803600160	CLIP	6		D=11-16				
41	36361121070	FILTER ASSY	1						000069
51	90155308020	BOLT,WELD	3		M8X20				
53	90155308045	BOLT,WELD	3		M8X45				
54	34880390100	PLATE	2						

GR-120N-1-00111 12T,X,WINCH(W/O FREE-FALL),JIB(PT)
PQ1100011-02 TANK,FUEL (200L)



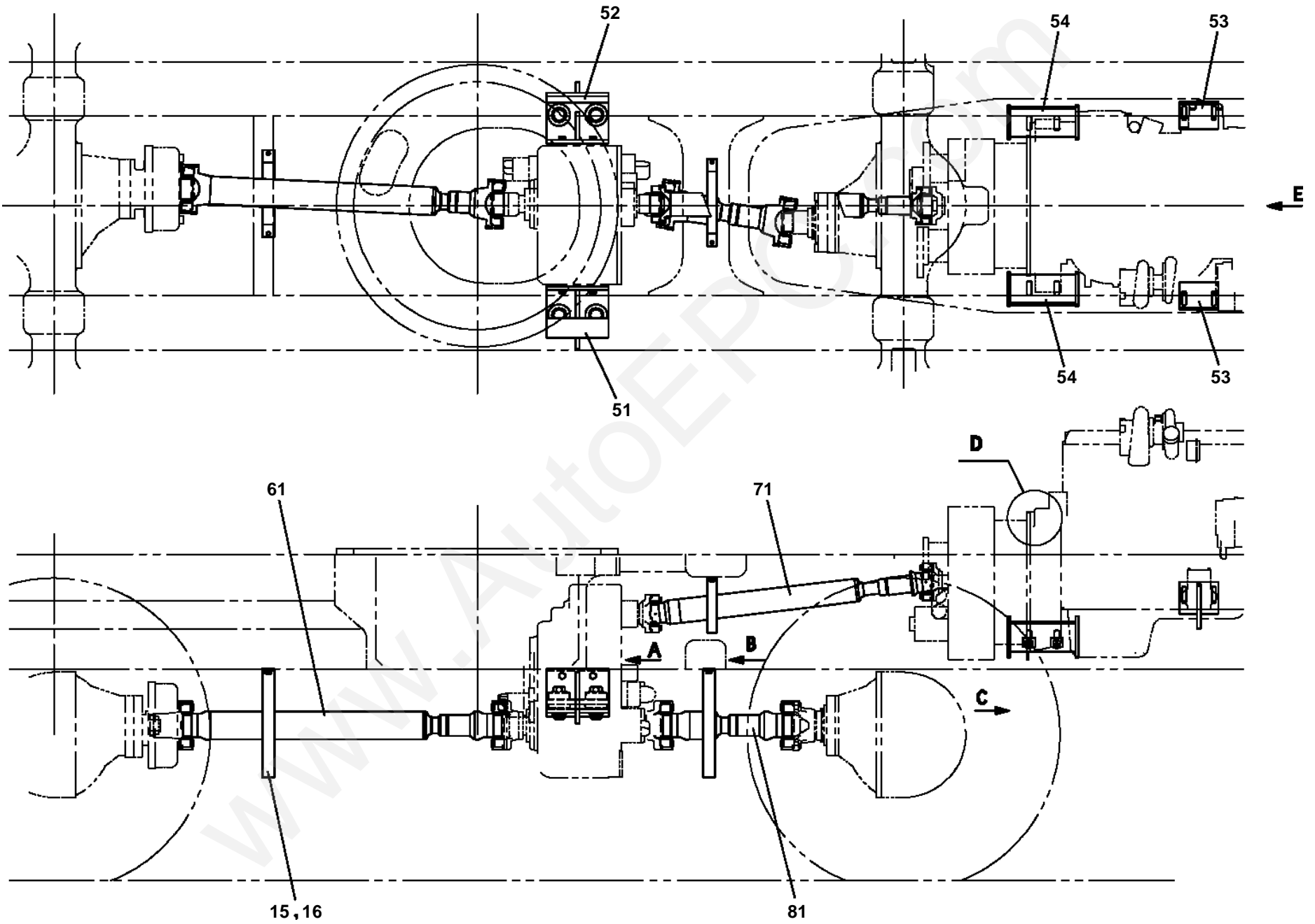
GR-120N-1-00111 12T,X,WINCH(W/O FREE-FALL),JIB(PT)
PQ1100011-02 TANK,FUEL (200L)



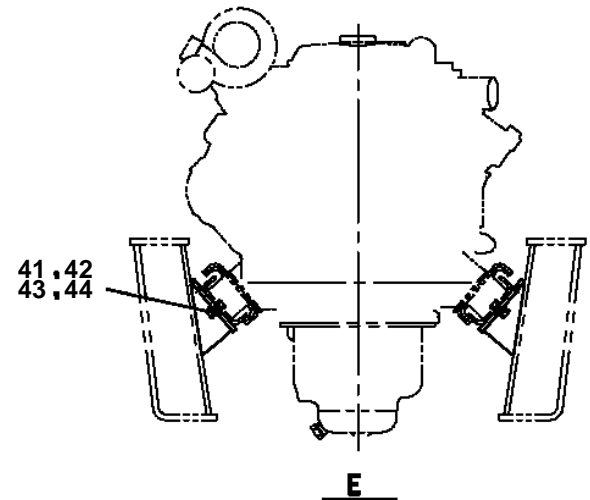
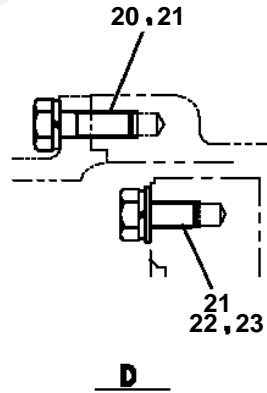
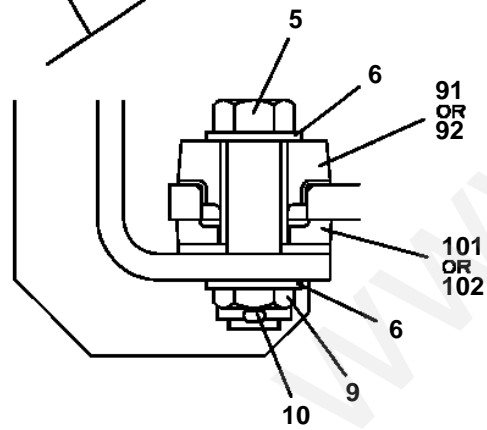
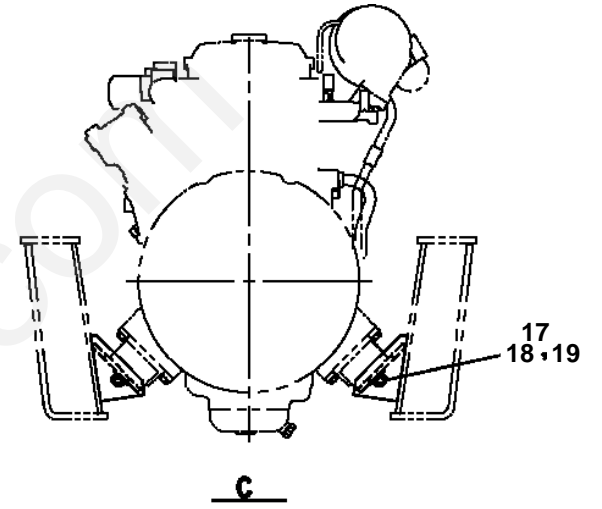
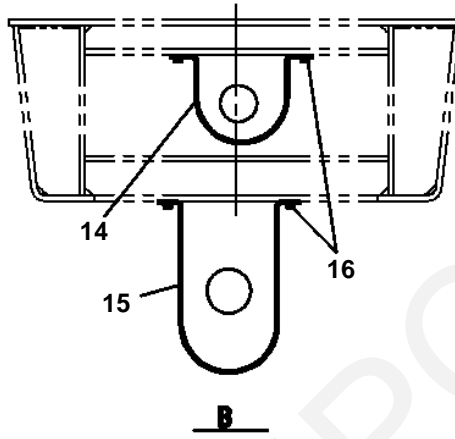
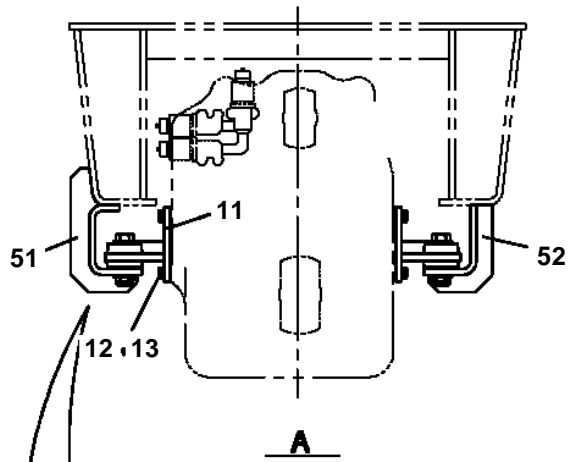
GR-120N-1-00111 12T,X,WINCH(W/O FREE-FALL),JIB(PT)

Pos No.	Parts No	Parts Name	Qty	Unit	Technical Data	Serial No (Start)	Serial No (End)	Remarks	Pages
5	36101755010	CAP (FUEL,WITH KEY)	1				FD0395		
9	36101525020	PACKING	1				FD0395		
10	36101525030	COVER	1				FD0395		
11	90302040501	WASHER,SPRING	5		5		FD0395		
12	80172305010	SCREW,MACHINE	5		M5X10		FD0395		
14	36101525100	PACKING	1				FD0395		
15	36101525110	STRAINER ASSY	1				FD0395		
16	36101525120	PACKING	1				FD0395		
17	36101525060	PLUG	1				FD0395		
19	36101525130	PACKING	1				FD0395		
20	36101525080	PLUG	1				FD0395		
57	36102835100	CAP (TANK,FUEL WITH KEY)	1			FD0396			
58	36101875030	COVER	1			FD0396			
59	36101875040	PACKING	1			FD0396			
61	36101875050	BOLT (WITH WASHER)	5		M5X10	FD0396			
63	36101875060	STRAINER ASSY	1			FD0396			
100	36101520000	TANK,FUEL (200L)	1						

GR-120N-1-00111 12T,X,WINCH(W/O FREE-FALL),JIB(P.T)
PQ1140093-00 POWER TRAIN



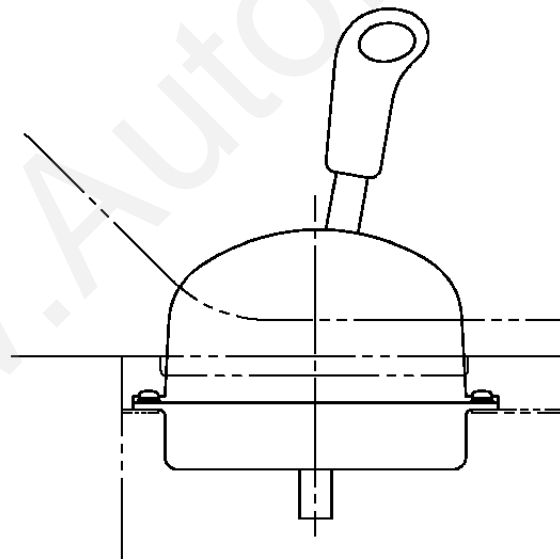
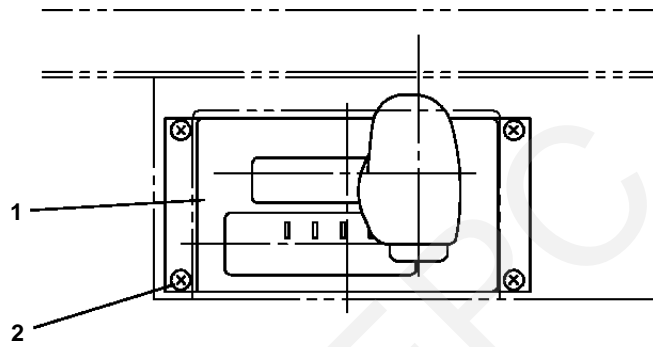
GR-120N-1-00111 12T,X,WINCH(W/O FREE-FALL),JIB(P.T)
PQ1140093-00 POWER TRAIN



GR-120N-1-00111 12T,X,WINCH(W/O FREE-FALL),JIB(PT)

Pos No.	Parts No	Parts Name	Qty	Unit	Technical Data	Serial No (Start)	Serial No (End)	Remarks	Pages
5	37001503570	BOLT	4		M24X90				
6	90303132401	WASHER,PLAIN	8		24				
9	90236252408	NUT,CASTLE	4		M24				
10	80136350045	PIN,SPLIT	4		5X45				
11	34781620100	SUPPORT	2						
	34781620600	SUPPORT (IP)	2			FD0320			
12	90101512030	BOLT	8		M12X30				
13	90302041201	WASHER,SPRING	8		12				
14	34780600501	GUARD	1						
15	34780900800	GUARD	2						
16	90186210020	BOLT,FLANGE	6		M10X20				
17	90209201400	NUT	4		M14				
18	90302041401	WASHER,SPRING	4		14				
19	90303151401	WASHER,PLAIN	4		14				
20	90191510030	BOLT	12		M10X30				
21	90302041001	WASHER,SPRING	21		10				
22	90191510022	BOLT	9		M10X22				
23	90303071001	WASHER,PLAIN	9		10				
24	91810130250	FASTENER	1			FD0270			
41	36360591010	BOLT (FRONT CUSHION)	4						
42	36360011080	NUT	4						
43	36360011090	WASHER,SPRING	4						
44	36360591020	WASHER,PLAIN (FRONT CUSHION)	4						
51	34781621100	SUPPORT (L)	1						
52	34781621200	SUPPORT (R)	1						
53	34781621300	SUPPORT	2						
54	34781621400	SUPPORT	2						
55	34781621510	PLATE	1						
61	36302105000	PROPELLER SHAFT,DRIVING	1						000253
71	36302096000	SHAFT,PROPELLER (JIDOSYABUHIN KOGYO)	1				FD1440		
	36302095000	PROPELLER SHAFT,DRIVING	1						000252
81	36302115000	PROPELLER SHAFT,DRIVING	1						000254
91	34780432500	CUSHION (KURASHIKIKAKO)	4						
92	34260770200	CUSHION (ASAHI GOMU)	4						
101	34260230900	CUSHION (KURASHIKIKAKO)	4						
102	34260770400	CUSHION (ASAHI GOMU)	4						

GR-120N-1-00111 12T,X,WINCH(W/O FREE-FALL),JIB(P.T)
PR1010015-00 OPERATION SYSTEM, TRANSMISSION



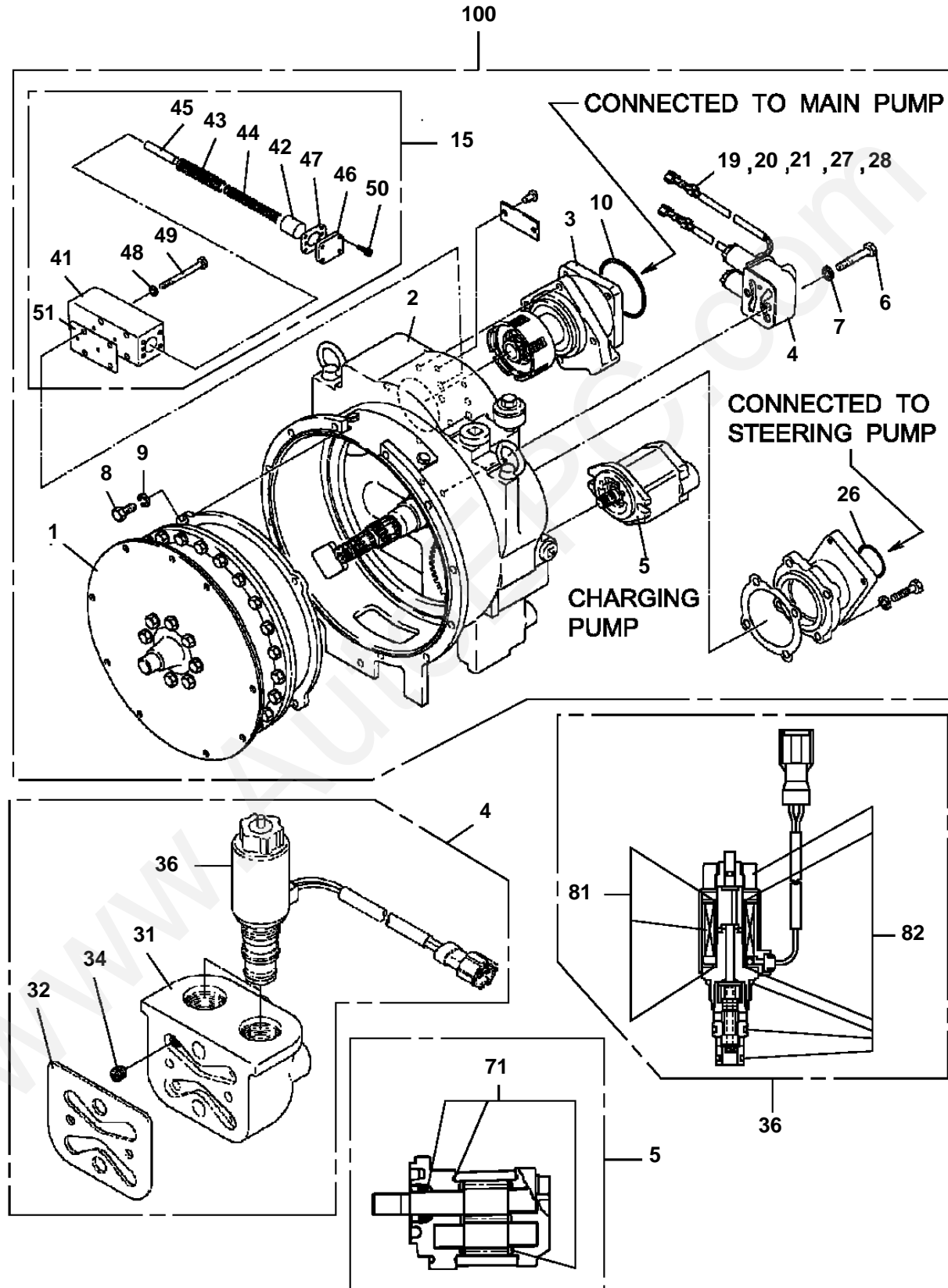
→ FRONT

GR-120N-1-00111 12T,X,WINCH(W/O FREE-FALL),JIB(PT)

Pos No.	Parts No	Parts Name	Qty	Unit	Technical Data	Serial No (Start)	Serial No (End)	Remarks	Pages
1	34721211001	SWITCH ASSY	1						
2	80192485014	SCREW,MACHINE (WITH WASHER)	4		M5X14				

www.AutoEPC.com

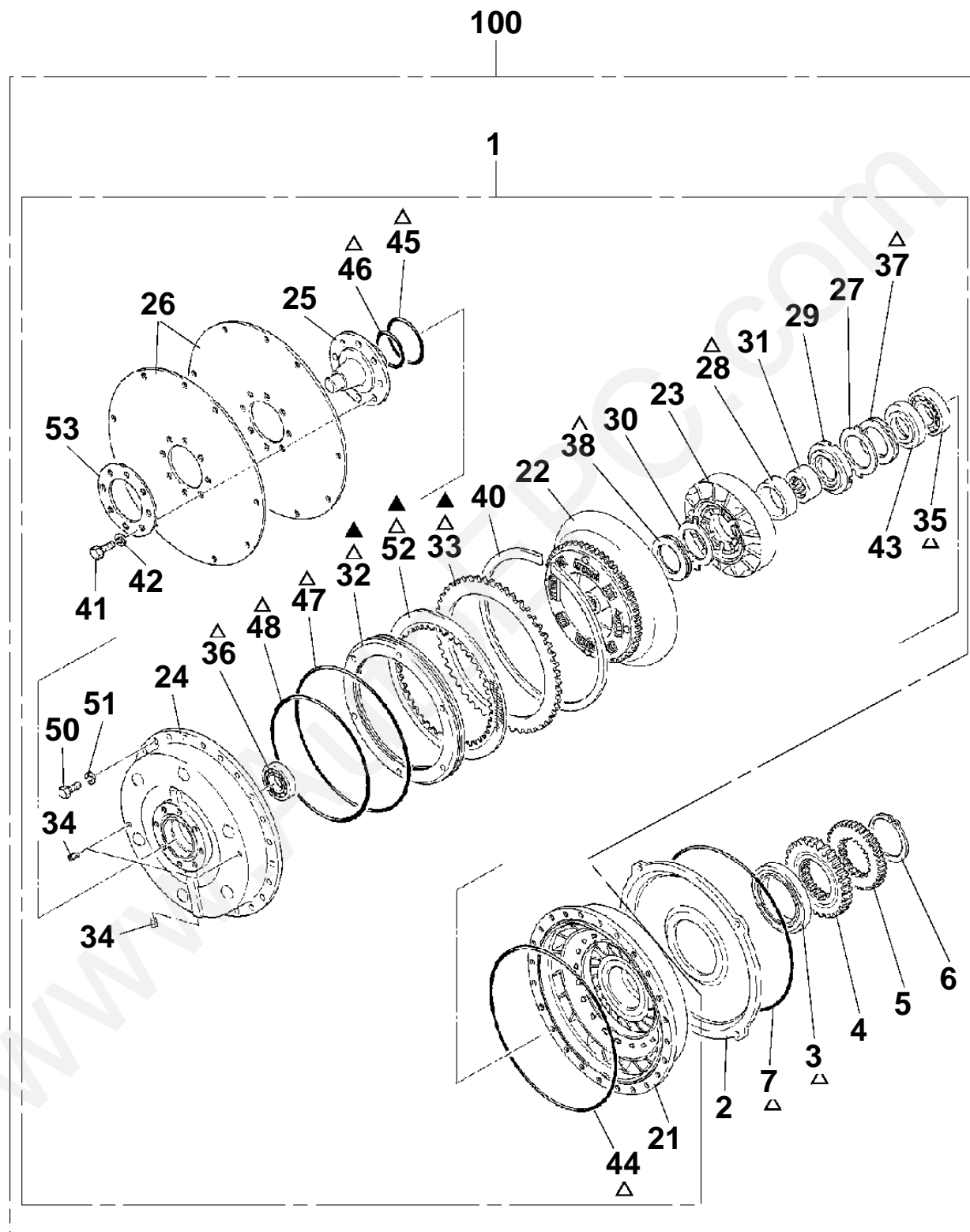
GR-120N-1-00111 12T,X,WINCH(W/O FREE-FALL),JIB(PT)
PR1100030-02 TORQUE CONVERTER



GR-120N-1-00111 12T,X,WINCH(W/O FREE-FALL),JIB(PT)

Pos No.	Parts No	Parts Name	Qty	Unit	Technical Data	Serial No (Start)	Serial No (End)	Remarks	Pages
1	36370455010	CIRCUIT,TORQUE CONVERTER	1						000241
2	36370455020	MISSION,TORQUE CONVERTER	1						000242
3	36370455030	P.T.O.CLUTCH INSTALLATION T/C	1						000243
4	36370355400	VALVE,SOLENOID	1						
5	36370455040	PUMP,GEAR	1						
6	90171110075	BOLT	2		M10X75				
7	90302051001	WASHER,SPRING (10)	2						
8	90171108020	BOLT	4		M8X20				
9	90302040801	WASHER,SPRING	4		8				
10	36370305060	O-RING	1						
15	36370355050	VALVE (ACCUMULATOR)	1						
19	36370295050	BAND,MARK (2)	1						
20	36370295060	BAND,MARK (5)	1						
21	36370295070	BAND,MARK (8)	1						
26	36370455190	O-RING	1						
27	36350355320	BAND,MARK (4)	1						
28	36370395010	BAND,MARK (6)	1						
31	36370355230	BODY	1						
32	36370355240	GASKET	1						
34	36370355250	CHOKE	1						
36	36370415360	VALVE,SOLENOID	2						
41	36370355390	BODY	1						
42	36370415300	PISTON	1						
43	36370355270	SPRING	1						
44	36370355280	SPRING (PRESSURE)	1						
45	36370415310	STOPPER	1						
46	36370355290	COVER	1						
47	36370355300	GASKET	1						
48	90302050801	WASHER,SPRING (8)	4						
49	90171108070	BOLT	4		M8X70				
50	90131706016	BOLT,HEXAGON SOCKET	4		M6X16				
51	36370355310	GASKET	1						
71	36370305870	SEAL KIT	1						
81	36370415430	COIL KIT	2						
82	36370415440	OVERHAUL KIT	2						
100	36370450000	TORQUE CONVERTER	1						

GR-120N-1-00111 12T,X,WINCH(W/O FREE-FALL),JIB(P.T)
 PR1120016-01 CIRCUIT,TORQUE CONVERTER



Δ : OVERHAUL KIT KEY NO**12** (KEY NO. 3,7,28,32,33,35,36,37,38,44,45,46,47,48,52)

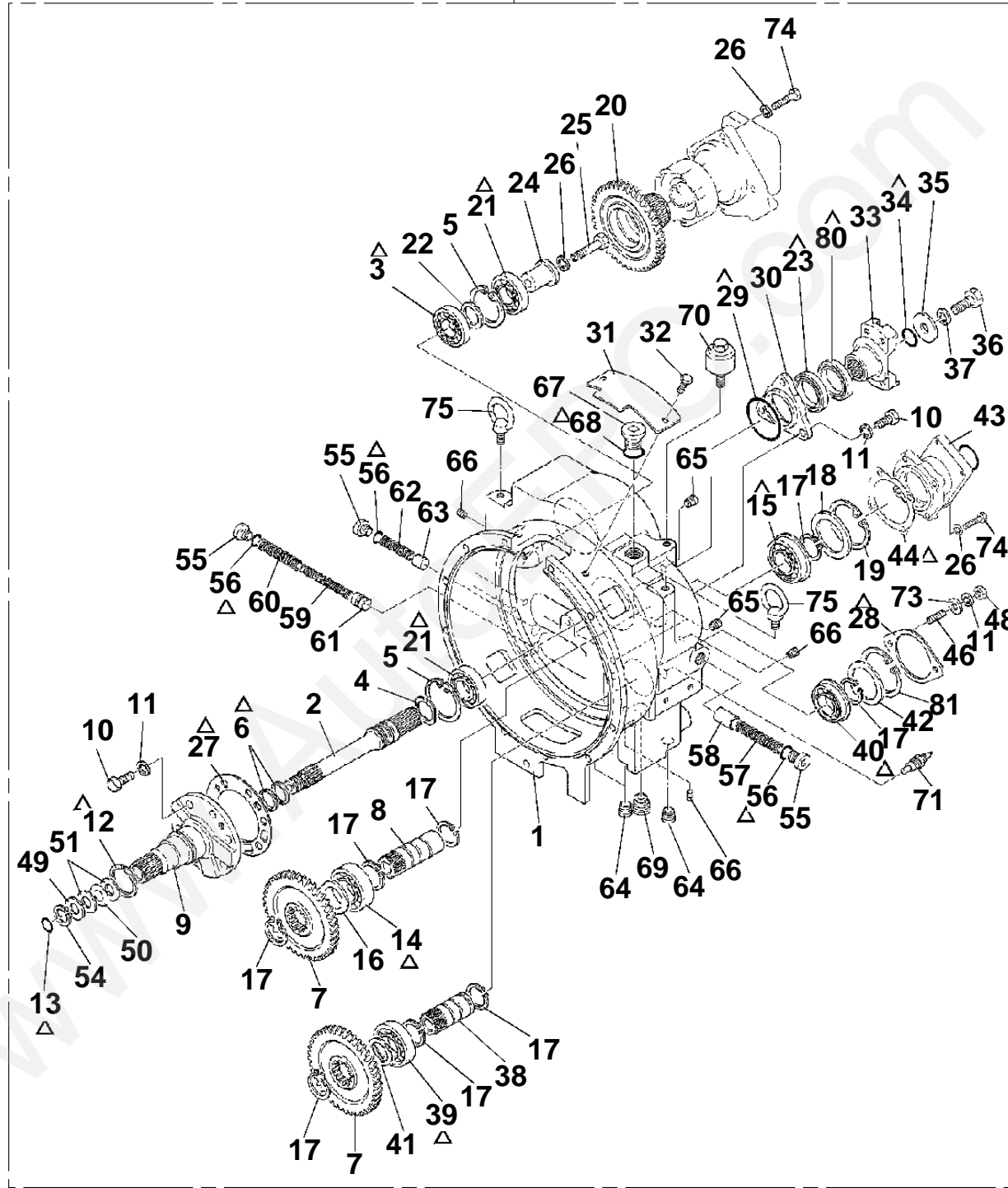
▲ : DISK KIT KEY NO**11** (KEY NO. 32,33,,52)

GR-120N-1-00111 12T,X,WINCH(W/O FREE-FALL),JIB(PT)

Pos No.	Parts No	Parts Name	Qty	Unit	Technical Data	Serial No (Start)	Serial No (End)	Remarks	Pages
1	36370455050	CIRCUIT,TORQUE CONVERTER	1						
2	36370305090	COVER	1						
3	36370455060	SEAL,OIL	1						
4	36370305110	GEAR (Q)	1						
5	36370455070	GEAR	1		41T,P				
6	80601110750	RING,RITAINING	1		S75				
7	36370305140	O-RING	1						
11	36370455110	DISK KIT	1						
12	36370455120	OVERHAUL KIT	1						
21	36370305150	IMPELLER ASSY	1						
22	36370305160	TURBINE ASSY	1						
23	36370305170	WHEEL (STATOR)	1						
24	36370455080	COVER ASSY (FRONT)	1						
25	36370455090	GUIDE (INPUT)	1						
26	36370305200	PLATE (INPUT)	2						
27	36370305210	WASHER	1						
28	36370305220	CLUTCH,ONEWAY	1						
29	36370305230	RETAINER (ONEWAY CLUTCH)	1						
30	36370305240	WASHER	1						
31	36370305251	INNER RACE	1						
32	36370216120	PISTON	1						
33	36370415110	PLATE (PRESSURE)	1						
34	36350456060	PLUG	3						
35	80500006209	BEARING,BALL	1						
36	80500006008	BEARING,BALL	1						
37	36370305260	BEARING,THRUST NEEDLE	1						
38	36370305270	BEARING,THRUST NEEDLE	1						
40	36370415130	RING,SNAP	1						
41	90171110025	BOLT	8		M10X25				
42	36370216300	WASHER	8						
43	36370305280	SUPPORT	1						
44	36370305140	O-RING	1						
45	91067208500	O-RING	1		4E G85				
46	91067207000	O-RING	1		4E G70				
47	36370216250	RING (D)	1						
48	36370216260	RING (D)	1						
50	90171108025	BOLT	24		M8X25				
51	90302050801	WASHER,SPRING (8)	24						
52	36370455100	DISK ASSY	1						
53	36370305310	WASHER	1						
100	36370455010	CIRCUIT,TORQUE CONVERTER	1						

GR-120N-1-00111 12T,X,WINCH(W/O FREE-FALL),JIB(P.T)
 PR1130012-00 MISSION,TORQUE CONVERTER

100



Δ : OVERHAUL KIT KEY NO.91 (KEY NO. 3 6 12 13 14 15 21 23 27,
 28 29 34 39 40 44 56 68 80)

GR-120N-1-00111 12T,X,WINCH(W/O FREE-FALL),JIB(PT)

Pos No.	Parts No	Parts Name	Qty	Unit	Technical Data	Serial No (Start)	Serial No (End)	Remarks	Pages
1	36370455130	HOUSING	1						
2	36370355080	SHAFT (TURBINE)	1						
3	36370305340	BEARING,BALL	1						
4	36350366180	WASHER	1						
5	80602110720	RING,RITAINING	2		R72				
6	36370208040	RING,SEAL	2						
7	36370455140	GEAR	2		44T,A				
8	36370355090	SHAFT (S)	1						
9	36370355100	SUPPORT (STATOR)	1						
10	90171110030	BOLT	9		M10X30				
11	90302051001	WASHER,SPRING (10)	11						
12	36370305380	RING,SEAL	1						
13	36370305390	RING,SEAL	1						
14	80500006208	BEARING,BALL	1						
15	80518006208	BEARING,BALL	1						
16	36370305410	WASHER	1						
17	80601110400	RING,RITAINING	8		S40				
18	36350267050	WASHER	1						
19	80602110900	RING,RITAINING	1		R90				
20	36370305420	GEAR (B)	1						
21	80500006207	BEARING,BALL	2						
22	36370305440	WASHER	1						
23	36350445430	SEAL,OIL	1						
24	36370305450	SHAFT	1						
25	90101912065	BOLT	1		M12X65				
26	90302051201	WASHER,SPRING (12)	9						
27	36370305470	GASKET	1						
28	36370217150	GASKET	1						
29	91067207500	O-RING	1		4E G75				
30	36370305490	COVER	1						
31	36370215550	COVER	1						
32	90171108014	BOLT	2		M8X14				
33	36370355120	FLANGE (A)	1						
34	91067103000	O-RING	1		4E P30				
35	36370355130	WASHER	1						
36	90103516040	BOLT	1		M16X40				
37	90302051601	WASHER,SPRING (16)	1						
38	36370305500	SHAFT (C)	1						
39	80500006008	BEARING,BALL	1						
40	80518006008	BEARING,BALL	1						
41	36370207130	WASHER	1						
42	36370455150	WASHER	1						
43	36370355140	CASE	1						
44	36370355150	GASKET	1						
46	36370305530	BOLT	2						
48	90267201000	NUT	2		M10				
49	36370305550	WASHER	2						
50	36370305560	SHIM	N						
51	36370305570	SHIM	N						
54	80601110250	RING,RITAINING	1		S25				
55	36370207420	PLUG	3						
56	36370207430	O-RING	3						
57	36370305600	SPRING (PRESSURE)	1						
58	36370207470	PISTON	1						
59	36370305610	SPRING (PRESSURE)	1						
60	36370305620	SPRING (PRESSURE)	1						

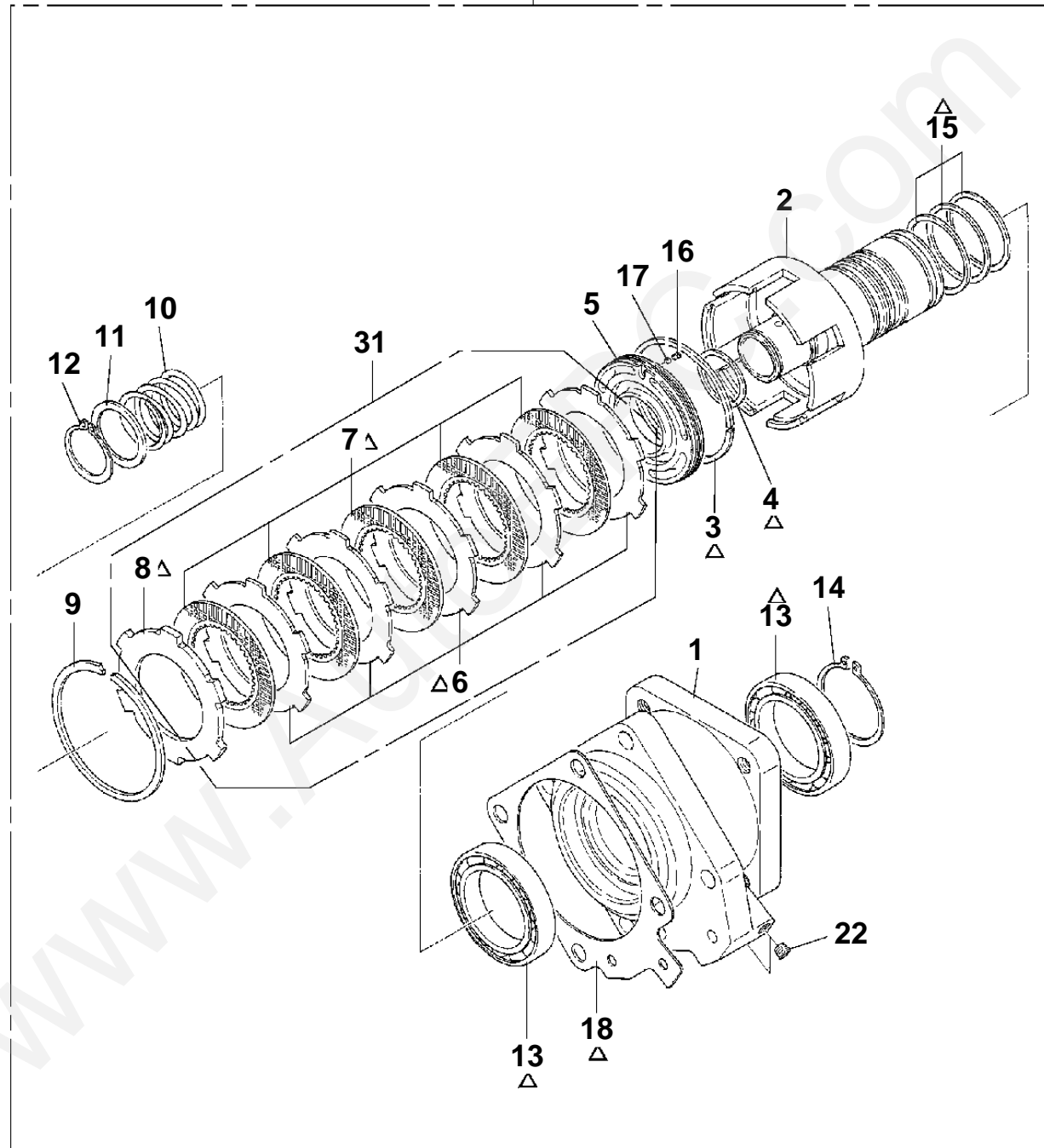
GR-120N-1-00111 12T,X,WINCH(W/O FREE-FALL),JIB(PT)

Pos No.	Parts No	Parts Name	Qty	Unit	Technical Data	Serial No (Start)	Serial No (End)	Remarks	Pages
61	36370207500	PISTON	1						
62	36370207440	SPRING	1						
63	36370207450	PISTON	1						
64	36370415280	PLUG	3						
65	36350456070	PLUG	4						
66	36350456060	PLUG	8						
67	36370207650	PLUG	1						
68	36370207520	O-RING	1						
69	36370207560	PLUG,MAGNET	1						
70	36370207610	BREATHER	1						
71	36681890000	SENDER,THERMO (OIL)	1						
73	36370216300	WASHER	2						
74	90171112040	BOLT	8		M12X40				
75	90151200100	BOLT,EYE	2		M10				
80	36350445420	SEAL,OIL	1						
81	80602110820	RING,RITAINING	1		82				
91	36370355330	OVERHAUL KIT	1						
100	36370455020	MISSION,TORQUE CONVERTER	1						

www.AutoEPC.com

GR-120N-1-00111 12T,X,WINCH(W/O FREE-FALL),JIB(P.T.)
PR1200004-00 P.T.O.CLUTCH INSTALLATION T/C

100



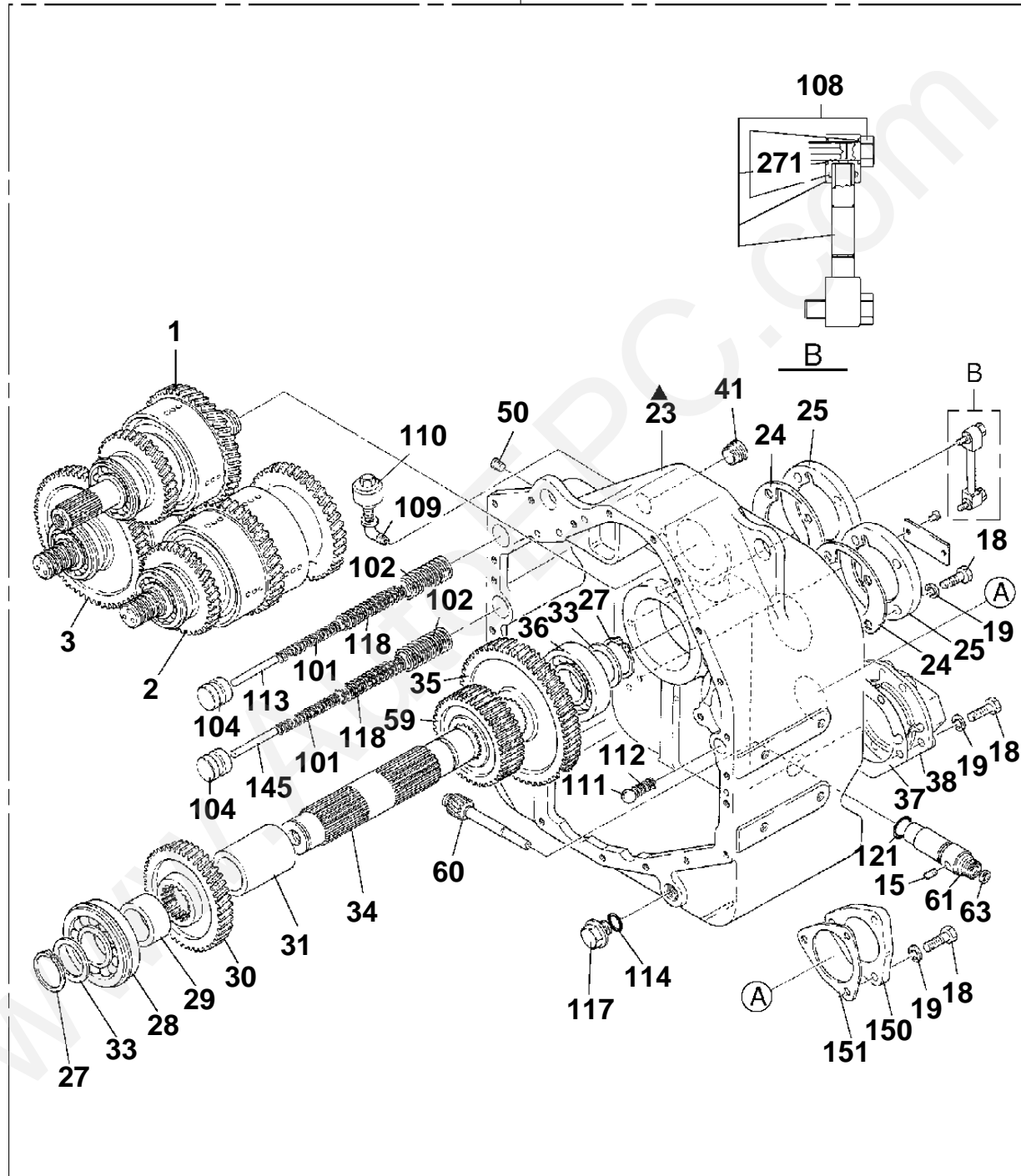
Δ : OVERHAUL KIT KEY NO.32 (KEY NO. 3 4 6 7 8 13 15 18)

GR-120N-1-00111 12T,X,WINCH(W/O FREE-FALL),JIB(PT)

Pos No.	Parts No	Parts Name	Qty	Unit	Technical Data	Serial No (Start)	Serial No (End)	Remarks	Pages
1	36370455160	CASE	1						
2	36370455170	SHAFT ASSY	1						
3	36370305680	RING,SEAL	1						
4	36370208040	RING,SEAL	1						
5	36370305700	PISTON	1						
6	36370305710	PLATE (DRIVE)	5						
7	36370355190	DISK ASSY	5						
8	36370355200	PLATE (BACK)	1						
9	80602110950	RING,RITAINING	1		95				
10	36370305740	SPRING	1						
11	36370305750	WASHER	1						
12	80601110360	RING,RITAINING	1		S36				
13	80500006911	BEARING,BALL	2						
14	80601110550	RING,RITAINING	1		S55				
15	36370305780	RING,SEAL	3						
16	36370305790	PLUG	1						
17	80560054000	BALL,STEEL	1		5/32				
18	36370305800	GASKET	1						
22	36350456060	PLUG	2						
31	36370355340	DISK KIT	1						
32	36370455180	OVERHAUL KIT	1						
100	36370455030	P.T.O.CLUTCH INSTALLATION T/C	1						

GR-120N-1-00111 12T,X,WINCH(W/O FREE-FALL),JIB(PT)
PR1400027-00 TRANSMISSION

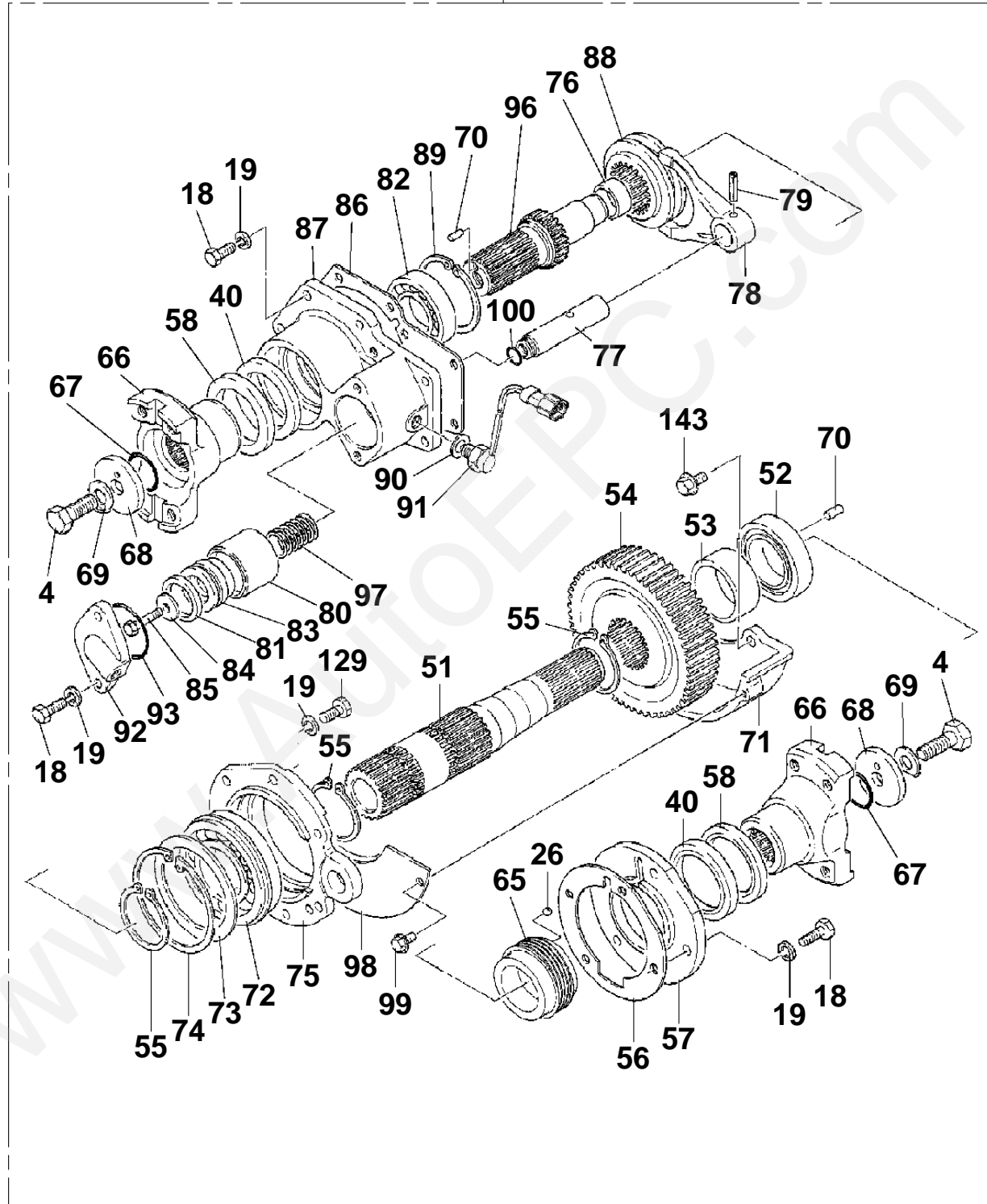
300



▲ : HOUSING KIT KEY NO 171 (KEY NO.21,22,23,103

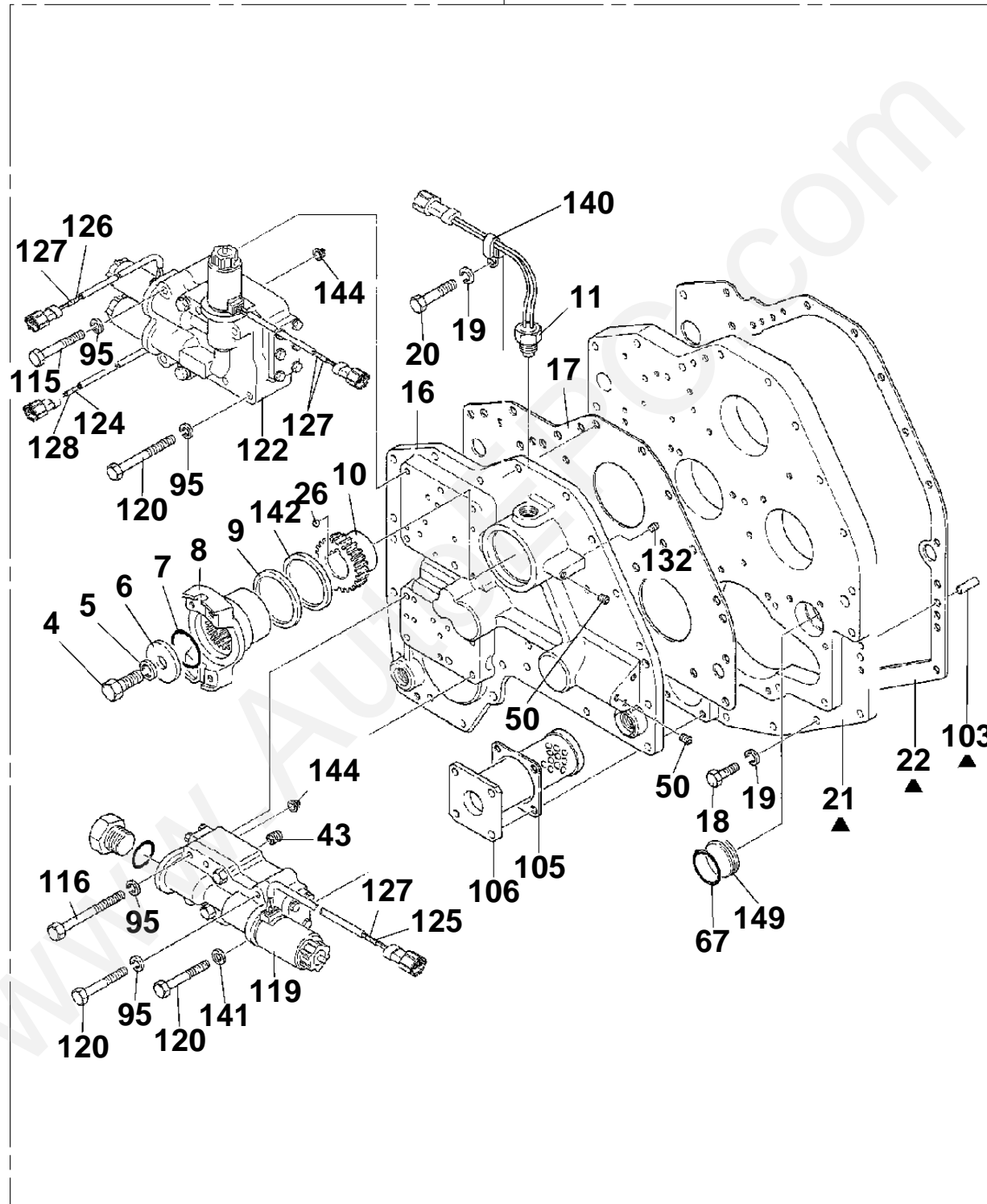
GR-120N-1-00111 12T,X,WINCH(W/O FREE-FALL),JIB(P
PR1400027-00 TRANSMISSION

300



GR-120N-1-00111 12T,X,WINCH(W/O FREE-FALL),JIB(PT)
PR1400027-00 TRANSMISSION

300



GR-120N-1-00111 12T,X,WINCH(W/O FREE-FALL),JIB(PT)

Pos No.	Parts No	Parts Name	Qty	Unit	Technical Data	Serial No (Start)	Serial No (End)	Remarks	Pages
1	36350525010	CLUTCH PACK, TRANSMISSION(R)	1						000246
2	36350525020	CLUTCH PACK, TRANSMISSION (F1.F3,F2.F4)	1						000247
3	36350525030	CLUTCH PACK, TRANSMISSION (HI,LO)	1						000248
4	90103516040	BOLT	3		M16X40				
5	90302051601	WASHER,SPRING (16)	1						
6	36370355130	WASHER	1						
7	91067103000	O-RING	1		4E P30				
8	36370355120	FLANGE (A)	1						
9	36350445420	SEAL,OIL	1						
10	36350365060	GEAR	1						
11	36350445040	SENSOR	1						
15	90720008120	SCREW,SET	1		M8X12				
16	36350525040	HOUSING (FRONT)	1						
17	36350525050	GASKET	1						
18	90171110030	BOLT	48		M10X30				
19	90302051001	WASHER,SPRING (10)	78						
20	90171110055	BOLT	15		M10X55				
21	36350525060	COVER (HOUSING)	1						
22	36350525070	GASKET	1						
23	36350525080	HOUSING (MISSION)	1						
24	36350365120	GASKET	2						
25	36350365130	COVER (D)	2						
26	80560055000	BALL,STEEL	2		3/16 S45				
27	80601110450	RING,RITAINING	2						
28	36350297070	BEARING,BALL	1						
29	36350525090	SPACER	1						
30	36350525100	GEAR	1		42T				
31	36350525110	SPACER	1						
33	36350365180	PLATE	2						
34	36350525120	SHAFT	1						
35	36350525130	GEAR	1		61T				
36	36350267130	BEARING,BALL	1						
37	36350525140	GASKET	1						
38	36350525150	COVER	1						
40	36350365230	SEAL,OIL	2						
41	36350525160	PLUG	1						
43	36350525170	CHOKE	1						
50	36350456060	PLUG	23						
51	36350525180	SHAFT (OUTPUT)	1						
52	36350365270	BEARING,ROLLER	1						
53	36350525190	SPACER	1						
54	36350525200	GEAR	1		40T				
55	80601110600	RING,RITAINING	3		S60				
56	36350365340	GASKET (E)	1						
57	36350365350	COVER (E)	1						
58	36350365360	SEAL,OIL	2						
59	36350525210	GEAR	1		26T				
60	36350525220	GEAR,DRIVEN	1						
61	36350365390	BUSH (SPEED-METER)	1						
63	36350265710	SEAL,OIL	1						
65	36350525230	GEAR,SPEEDOMETER	1						
66	36350445100	FLANGE (OUTPUT)	2						
67	91067103800	O-RING	3		P38				
68	36350365440	WASHER	2						
69	36350265910	WASHER	2						
70	36350265510	PIN	2						

GR-120N-1-00111 12T,X,WINCH(W/O FREE-FALL),JIB(PT)

Pos No.	Parts No	Parts Name	Qty	Unit	Technical Data	Serial No (Start)	Serial No (End)	Remarks	Pages
71	36350525240	SHROUD	1						
72	80518006212	BEARING,BALL	1						
73	36350365480	WASHER	1						
74	80602111200	RING,RITAINING	1		R120				
75	36350365491	COVER (B)	1						
76	36350365500	BEARING,NEEDLE	1						
77	36350365520	BAR (SHIFT)	1						
78	36350365530	FORK (SHIFT)	1						
79	80720108040	PIN,SPRING	1		8X40				
80	36350365540	COLLAR	1						
81	36350265450	PACKING	1						
82	80500006209	BEARING,BALL	1						
83	36350525250	PISTON	1						
84	36350275670	WASHER	1						
85	36350275680	BOLT	1						
86	36350365560	GASKET (D)	1						
87	36350365570	COVER	1						
88	36350365580	SLEEVE (B)	1						
89	80602110850	RING,RITAINING	1		R85				
90	36350265480	WASHER,SEAL	1						
91	36350525260	SWITCH	1						
92	36350275620	COVER	1						
93	91067206000	O-RING	1		4E G60				
95	90302050801	WASHER,SPRING (8)	10						
96	36350365600	SHAFT	1						
97	36350365610	SPRING	1						
98	36350525270	PLATE	1						
99	36350525280	BOLT	3						
100	91067101600	O-RING	1		P16				
101	36350525290	SPRING	2						
102	36350525300	SPRING	2						
103	36350265160	PIN	5		10X28				
104	36350365760	PISTON	2						
105	36350265580	GASKET	1						
106	36350525310	STRAINER	1						
108	36350275471	GAUGE,OIL	1						
109	36350485600	JOINT,ELBOW	1						
110	36370207610	BREATHER	1						
111	80560068000	BALL,STEEL	1		19/32				
112	36350365800	SPRING	1						
113	36350525320	STOPPER	1						
114	36350265630	O-RING	1						
115	90101708125	BOLT	4		M8X125				
116	90101708105	BOLT	4		M8X105				
117	36350265900	PLUG	1						
118	36350525330	SPRING	2						
119	36350525340	VALVE,SOLENOID (TRANSMISSION)	1						000249
120	90171108070	BOLT	5		M8X70				
121	91067102400	O-RING	1		P24				
122	36350525350	VALVE,SOLENOID (TRANSMISSION)	1						000250
124	36370295040	BAND,MARK (0)	1						
125	36370295100	BAND,MARK (1)	1						
126	36370295050	BAND,MARK (2)	1						
127	36370295110	BAND,MARK (3)	4						
128	36350355320	BAND,MARK (4)	1						
129	90171110025	BOLT	9		M10X25				

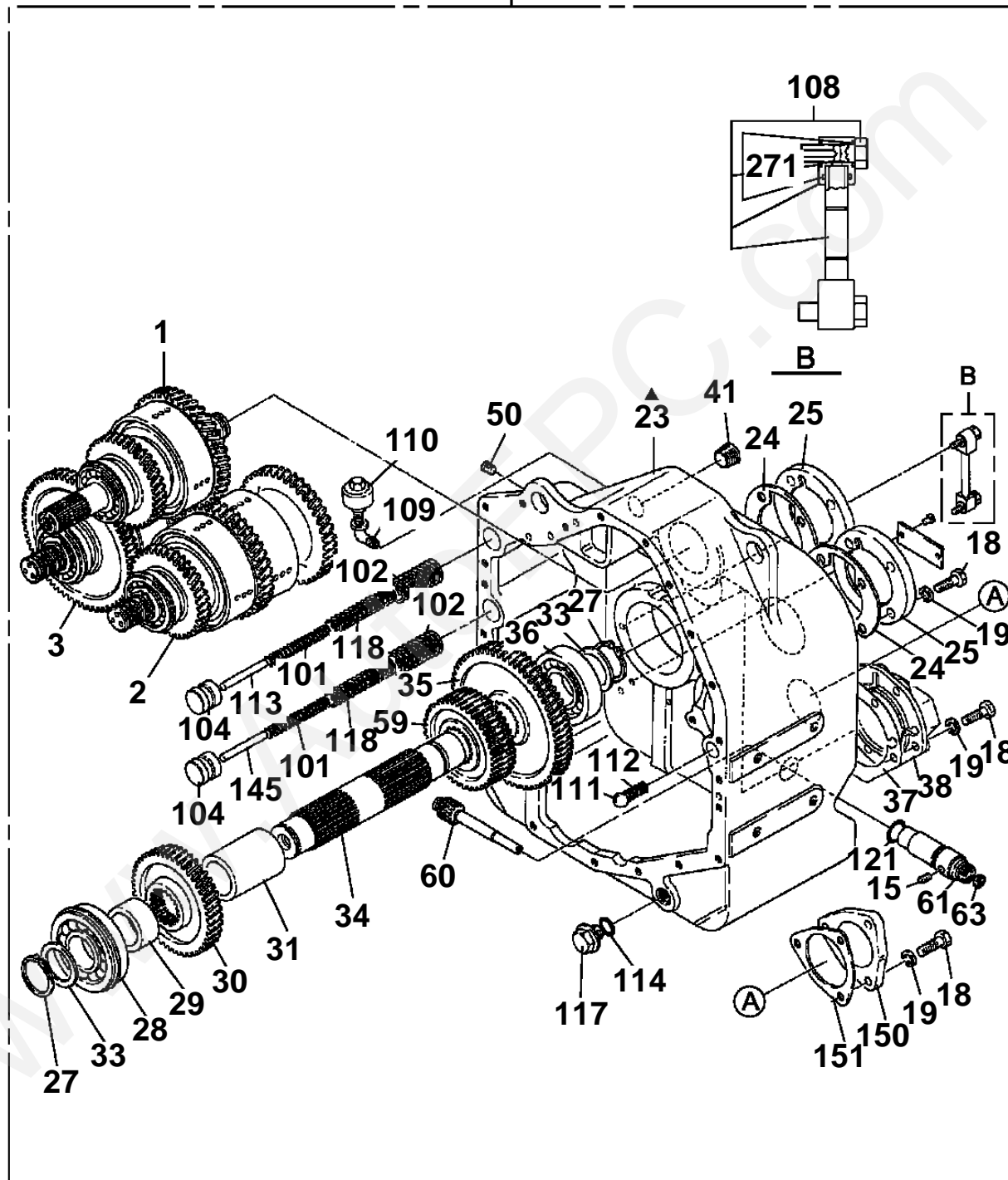
GR-120N-1-00111 12T,X,WINCH(W/O FREE-FALL),JIB(PT)

Pos No.	Parts No	Parts Name	Qty	Unit	Technical Data	Serial No (Start)	Serial No (End)	Remarks	Pages
132	36350365910	CHOKE	1						
140	36350265980	CLIP	1						
141	36350445200	GASKET	2						
142	36350445430	SEAL,OIL	1						
143	36350525360	BOLT	3						
144	36350525370	FILTER	2						
145	36350525380	STOPPER	1						
149	36350365700	PLUG	1						
150	36350525390	COVER	1						
151	36350365680	GASKET (F)	1						
171	36350525400	HOUSING KIT	1						
271	36350275770	SEAL KIT	1						
300	36350520000	TRANSMISSION	1						

www.AutoEPC.com

GR-120N-1-00111 12T,X,WINCH(W/O FREE-FALL),JIB(P.T)
PR1400034-00 TRANSMISSION

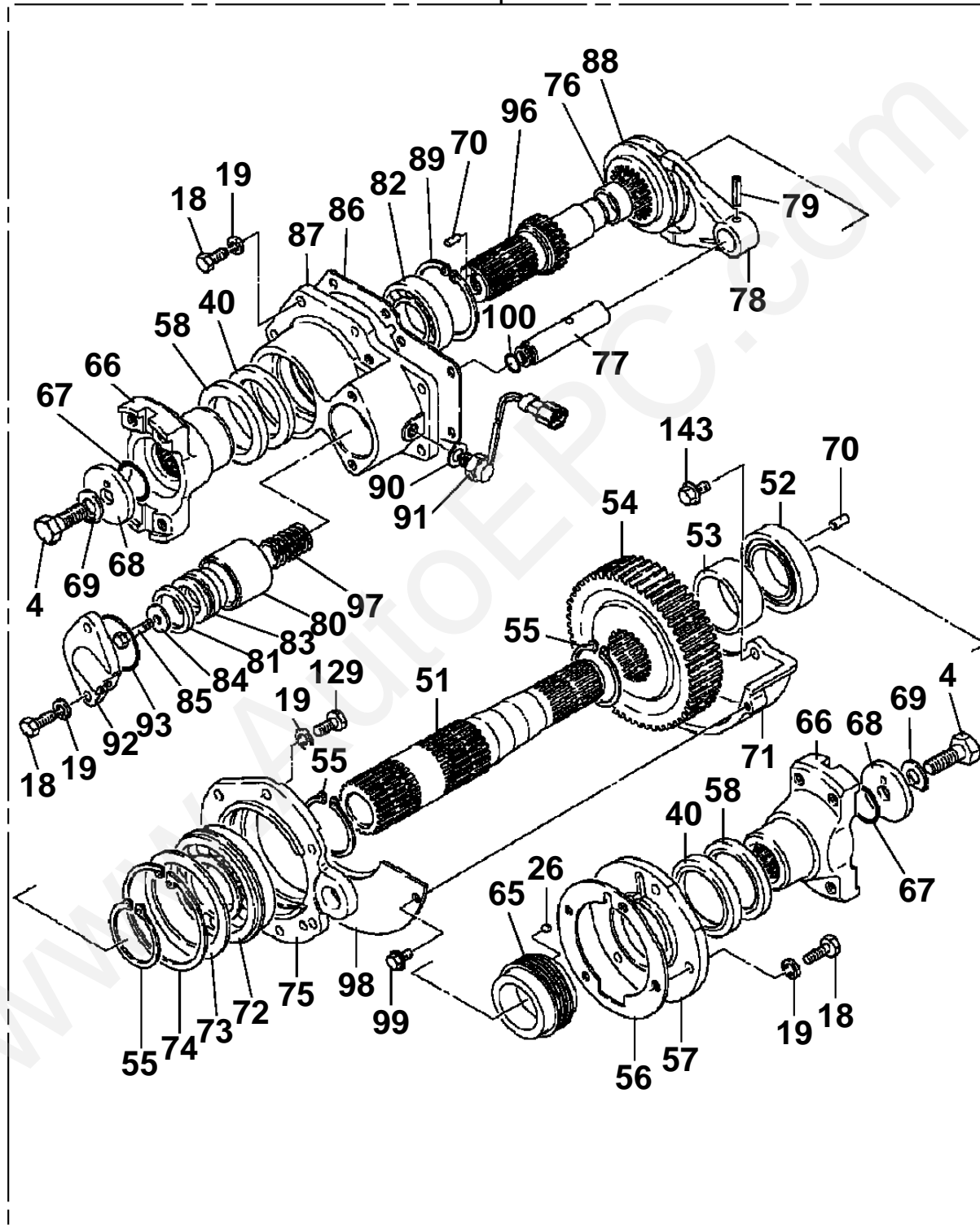
300



▲ : HOUSING KIT KEY NO171 (KEY NO. 21,22,23,103)

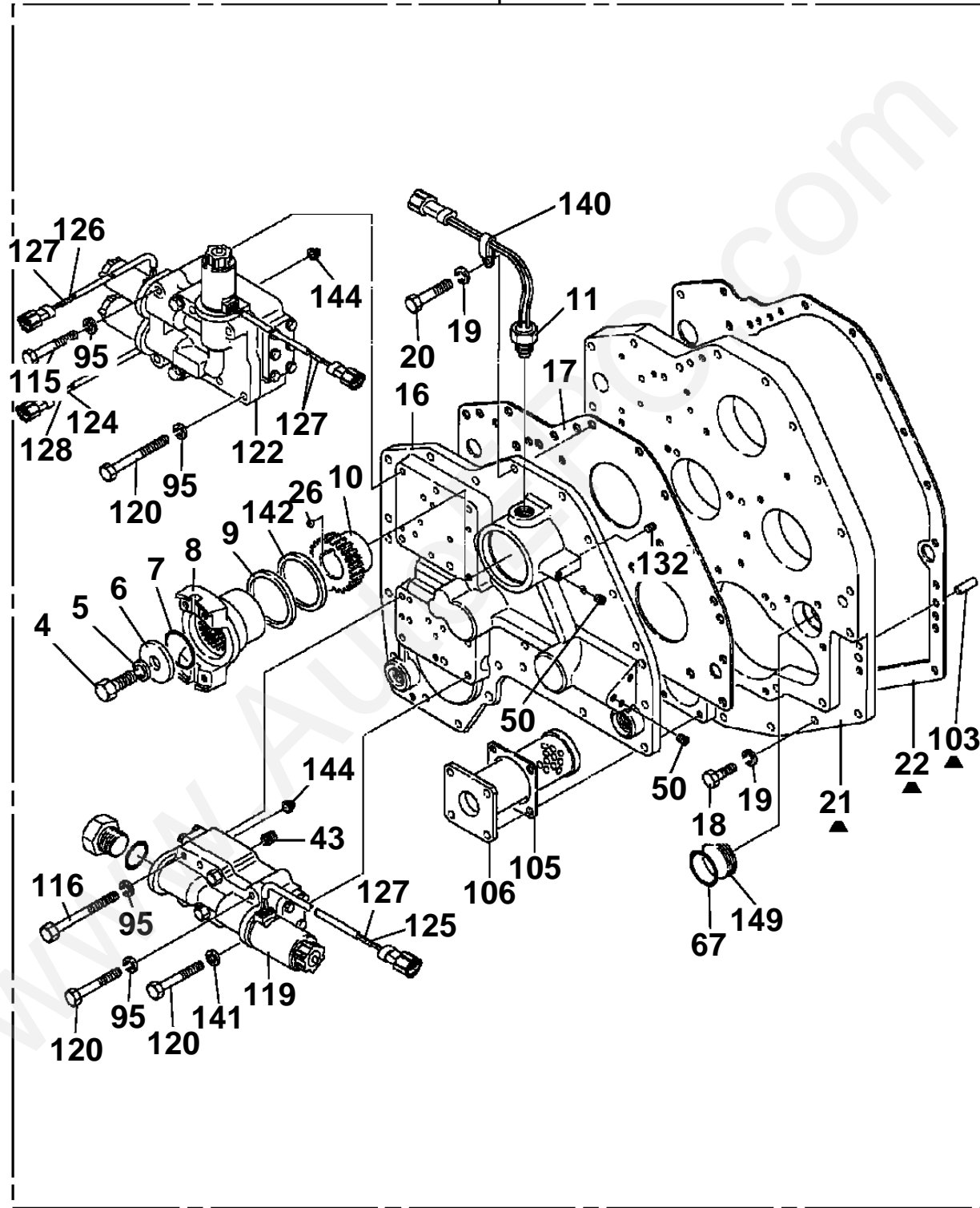
GR-120N-1-00111 12T,X,WINCH(W/O FREE-FALL),JIB(PT)
PR1400034-00 TRANSMISSION

300



GR-120N-1-00111 12T,X,WINCH(W/O FREE-FALL),JIB(P.T)
PR1400034-00 TRANSMISSION

300



GR-120N-1-00111 12T,X,WINCH(W/O FREE-FALL),JIB(PT)

Pos No.	Parts No	Parts Name	Qty	Unit	Technical Data	Serial No (Start)	Serial No (End)	Remarks	Pages
1	36350525010	CLUTCH PACK, TRANSMISSION(R)	1						000246
2	36350525020	CLUTCH PACK, TRANSMISSION (F1.F3,F2.F4)	1						000247
3	36350525030	CLUTCH PACK, TRANSMISSION (HI,LO)	1						000248
4	90103516040	BOLT	3		M16X40				
5	90302051601	WASHER,SPRING (16)	1						
6	36370355130	WASHER	1						
7	91067103000	O-RING	1		4E P30				
8	36370355120	FLANGE (A)	1						
9	36350445420	SEAL,OIL	1						
10	36350365060	GEAR	1						
11	36350445040	SENSOR	1						
15	90720008120	SCREW,SET	1		M8X12				
16	36350525040	HOUSING (FRONT)	1						
17	36350525050	GASKET	1						
18	90171110030	BOLT	48		M10X30				
19	90302051001	WASHER,SPRING (10)	78						
20	90171110055	BOLT	15		M10X55				
21	36350525060	COVER (HOUSING)	1						
22	36350525070	GASKET	1						
23	36350525080	HOUSING (MISSION)	1						
24	36350365120	GASKET	2						
25	36350365130	COVER (D)	2						
26	80560055000	BALL,STEEL	2		3/16 S45				
27	80601110450	RING,RITAINING	2						
28	36350297070	BEARING,BALL	1						
29	36350525090	SPACER	1						
30	36350525100	GEAR	1		42T				
31	36350525110	SPACER	1						
33	36350365180	PLATE	2						
34	36350525120	SHAFT	1						
35	36350525130	GEAR	1		61T				
36	36350267130	BEARING,BALL	1						
37	36350525140	GASKET	1						
38	36350525150	COVER	1						
40	36350365230	SEAL,OIL	2						
41	36350525160	PLUG	1						
43	36350525170	CHOKE	1						
50	36350456060	PLUG	23						
51	36350525180	SHAFT (OUTPUT)	1						
52	36350365270	BEARING,ROLLER	1						
53	36350525190	SPACER	1						
54	36350525200	GEAR	1		40T				
55	80601110600	RING,RITAINING	3		S60				
56	36350365340	GASKET (E)	1						
57	36350365350	COVER (E)	1						
58	36350365360	SEAL,OIL	2						
59	36350525210	GEAR	1		26T				
60	36350525220	GEAR,DRIVEN	1						
61	36350365390	BUSH (SPEED-METER)	1						
63	36350265710	SEAL,OIL	1						
65	36350525230	GEAR,SPEEDOMETER	1						
66	36350445100	FLANGE (OUTPUT)	2						
67	91067103800	O-RING	3		P38				
68	36350365440	WASHER	2						
69	36350265910	WASHER	2						
70	36350265510	PIN	2						

GR-120N-1-00111 12T,X,WINCH(W/O FREE-FALL),JIB(PT)

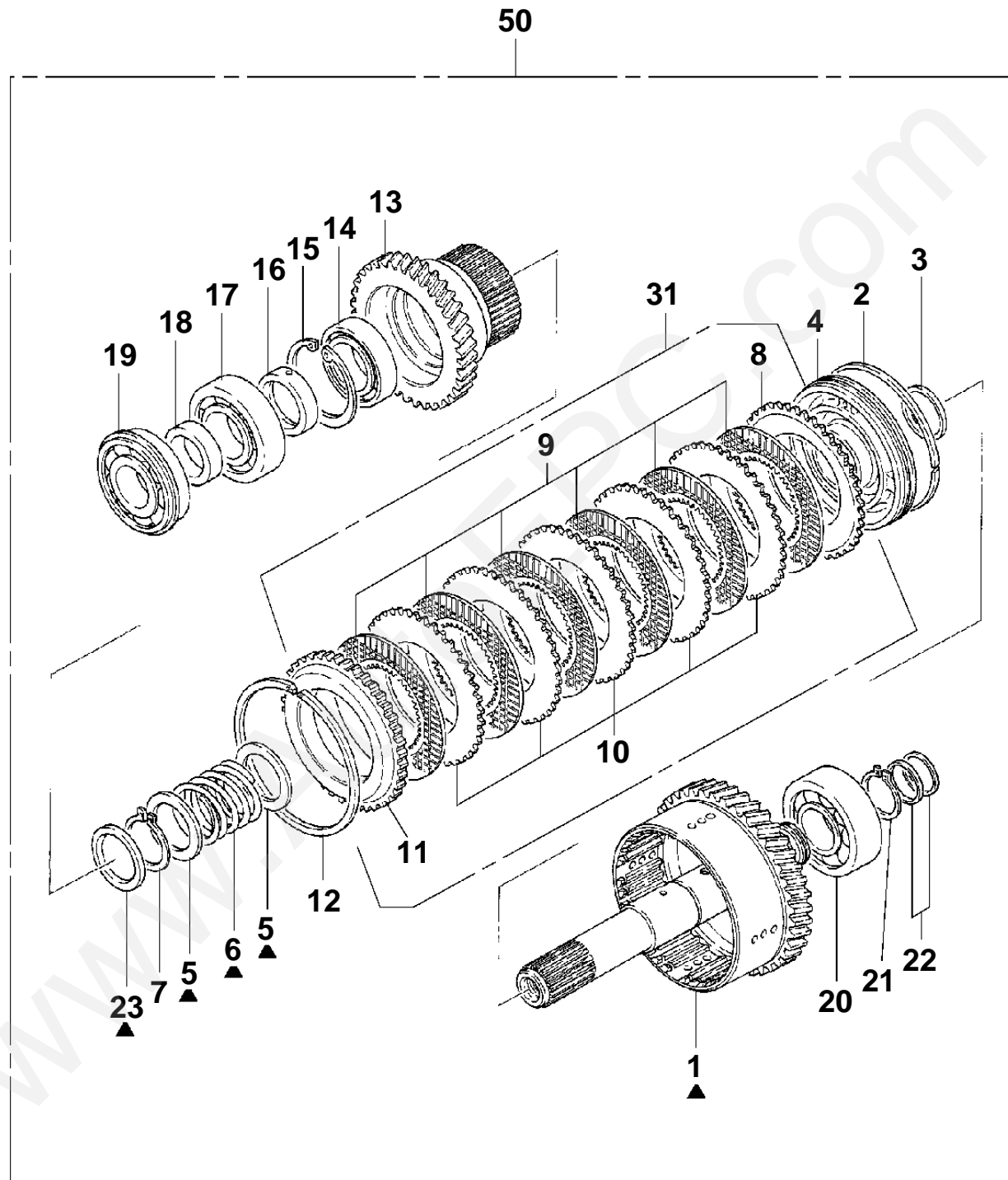
Pos No.	Parts No	Parts Name	Qty	Unit	Technical Data	Serial No (Start)	Serial No (End)	Remarks	Pages
71	36350525240	SHROUD	1						
72	80518006212	BEARING,BALL	1						
73	36350365480	WASHER	1						
74	80602111200	RING,RITAINING	1		R120				
75	36350365491	COVER (B)	1						
76	36350365500	BEARING,NEEDLE	1						
77	36350365520	BAR (SHIFT)	1						
78	36350365530	FORK (SHIFT)	1						
79	80720108040	PIN,SPRING	1		8X40				
80	36350365540	COLLAR	1				FD0647		
	36350525610	COLLAR	1			FD0648			
81	36350265450	PACKING	1						
82	80500006209	BEARING,BALL	1						
83	36350525250	PISTON	1				FD0647		
	36350525620	PISTON(20047 TR80M,100M,GR120N	1			FD0648			
84	36350275670	WASHER	1						
85	36350275680	BOLT	1						
86	36350365560	GASKET (D)	1						
87	36350365570	COVER	1				FD0647		
	36350525630	COVER	1			FD0648			
88	36350365580	SLEEVE (B)	1						
89	80602110850	RING,RITAINING	1		R85				
90	36350265480	WASHER,SEAL	1						
91	36350525260	SWITCH	1						
92	36350275620	COVER	1				FD0647		
	36350265950	COVER	1			FD0648			
93	91067206000	O-RING	1		4E G60				
95	90302050801	WASHER,SPRING (8)	10						
96	36350365600	SHAFT	1						
97	36350365610	SPRING	1						
98	36350525270	PLATE	1						
99	36350525280	BOLT	3						
100	91067101600	O-RING	1		P16				
101	36350525290	SPRING	2						
102	36350525300	SPRING	2						
103	36350265160	PIN	5		10X28				
104	36350365760	PISTON	2						
105	36350265580	GASKET	1						
106	36350525310	STRAINER	1						
108	36350275471	GAUGE,OIL	1						
109	36350485600	JOINT,ELBOW	1						
110	36370207610	BREATHER	1						
111	80560068000	BALL,STEEL	1		19/32				
112	36350365800	SPRING	1						
113	36350525320	STOPPER	1						
114	36350265630	O-RING	1						
115	90101708125	BOLT	4		M8X125				
116	90101708105	BOLT	4		M8X105				
117	36350265900	PLUG	1						
118	36350525330	SPRING	2						
119	36350525341	VALVE,SOLENOID (TRANSMISSION)	1						000251
120	90171108070	BOLT	5		M8X70				
121	91067102400	O-RING	1		P24				
122	36350525350	VALVE,SOLENOID (TRANSMISSION)	1						000250
124	36370295040	BAND,MARK (0)	1						
125	36370295100	BAND,MARK (1)	1						

GR-120N-1-00111 12T,X,WINCH(W/O FREE-FALL),JIB(PT)

Pos No.	Parts No	Parts Name	Qty	Unit	Technical Data	Serial No (Start)	Serial No (End)	Remarks	Pages
126	36370295050	BAND,MARK (2)	1						
127	36370295110	BAND,MARK (3)	4						
128	36350355320	BAND,MARK (4)	1						
129	90171110025	BOLT	9		M10X25				
132	36350365910	CHOKE	1						
140	36350265980	CLIP	1						
141	36350445200	GASKET	2						
142	36350445430	SEAL,OIL	1						
143	36350525360	BOLT	3						
144	36350525370	FILTER	2						
145	36350525380	STOPPER	1						
149	36350365700	PLUG	1						
150	36350525390	COVER	1						
151	36350365680	GASKET (F)	1						
171	36350525400	HOUSING KIT	1						
271	36350275770	SEAL KIT	1						
300	36350520001	TRANSMISSION	1						

www.AutoEPC.com

GR-120N-1-00111 12T,X,WINCH(W/O FREE-FALL),JIB(P)
PR1420009-00 CLUTCH PACK, TRANSMISSION(R)



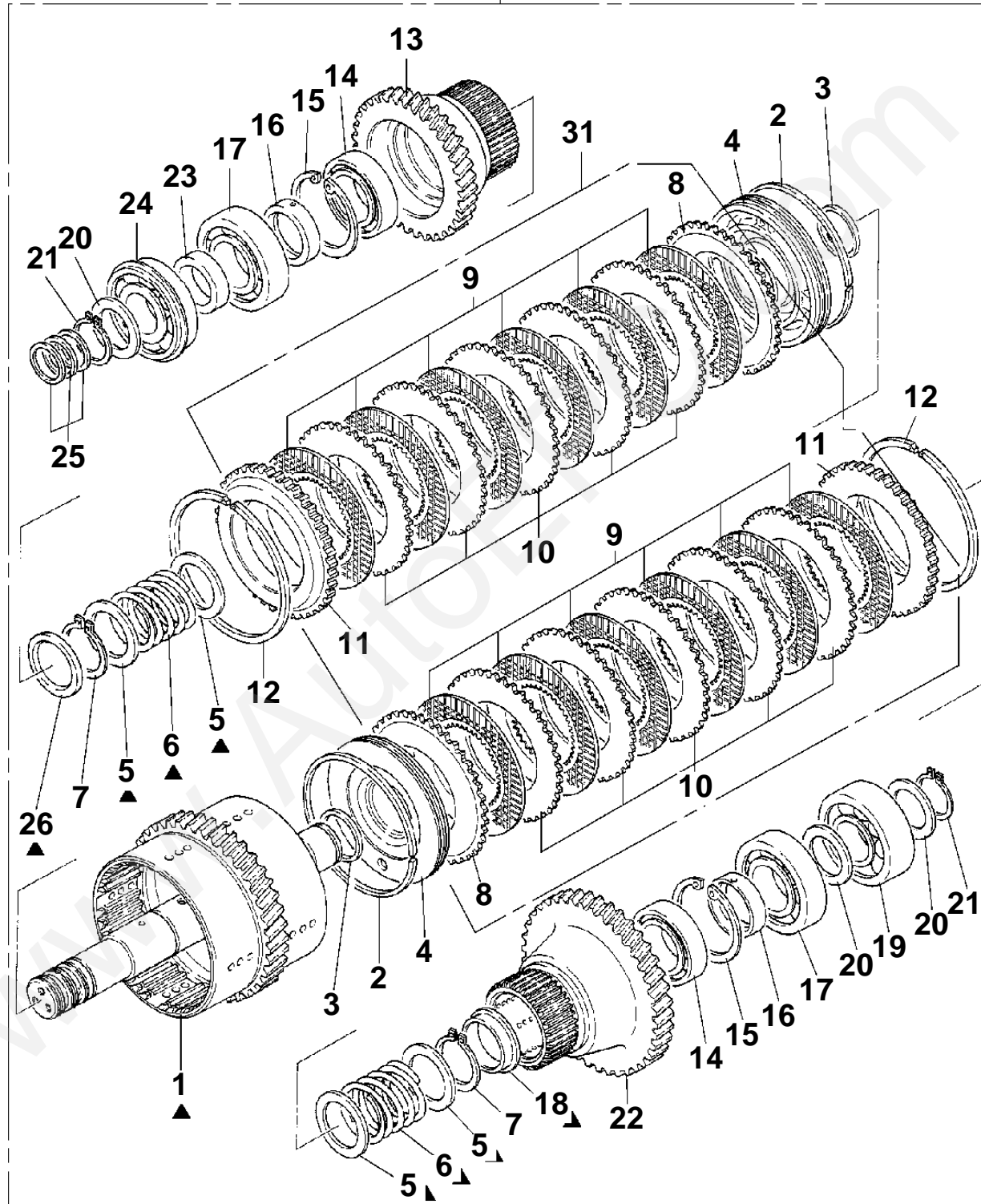
▲ : SHAFT KIT KEY NO41 (KEY NO.15623)

GR-120N-1-00111 12T,X,WINCH(W/O FREE-FALL),JIB(PT)

Pos No.	Parts No	Parts Name	Qty	Unit	Technical Data	Serial No (Start)	Serial No (End)	Remarks	Pages
1	36350365942	SHAFT ASSY	1						
2	36350365950	RING,SEAL	1						
3	36350267140	RING,SEAL	1						
4	36350525410	PISTON ASSY	1						
5	36350365971	WASHER	2						
6	36350445220	SPRING	1						
7	80601110400	RING,RITAINING	1		S40				
8	36350365990	PLATE (CONICAL DRIVE)	1						
9	36350525420	DISK ASSY	6						
10	36350445230	PLATE (DRIVE)	5						
11	36350366020	PLATE (BACK)	1						
12	36370208060	RING,RETAINING	1						
13	36350525430	GEAR	1		39T				
14	80500006008	BEARING,BALL	1						
15	36350525440	RING,RETAINING	1						
16	36350366060	SPACER	1						
17	80500006208	BEARING,BALL	1						
18	36350366080	SPACER	1						
19	36350366090	BEARING,BALL	1						
20	36350366100	BEARING,BALL	1						
21	80601110350	RING,RITAINING	1		S35				
22	36350366120	RING,SEAL	2						
23	36350366133	SPACER	1						
31	36350525450	DISK KIT	1						
41	36350525460	SHAFT KIT	1						
50	36350525010	CLUTCH PACK, TRANSMISSION(R)	1						

GR-120N-1-00111 12T,X,WINCH(W/O FREE-FALL),JIB(PT)
PR1420010-00 CLUTCH PACK, TRANSMISSION (F1.F3,F2.F4)

50



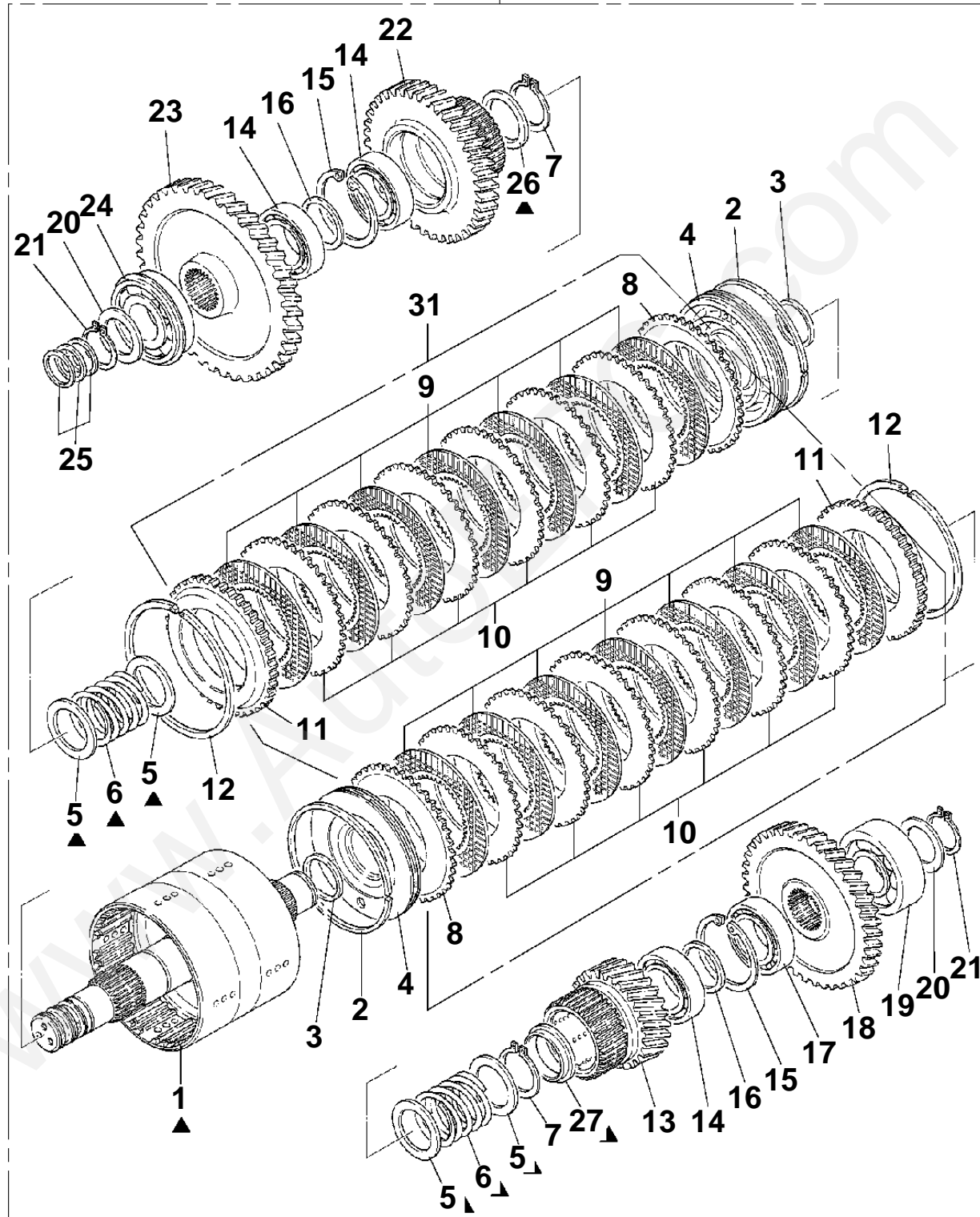
▲ : SHAFT KIT KEY NO41 (KEY NO. 1561826)

GR-120N-1-00111 12T,X,WINCH(W/O FREE-FALL),JIB(PT)

Pos No.	Parts No	Parts Name	Qty	Unit	Technical Data	Serial No (Start)	Serial No (End)	Remarks	Pages
1	36350366152	SHAFT ASSY	1						
2	36350365950	RING,SEAL	2						
3	36350267140	RING,SEAL	2						
4	36350525410	PISTON ASSY	2						
5	36350365971	WASHER	4						
6	36350445220	SPRING	2						
7	80601110400	RING,RITAINING	2		S40				
8	36350365990	PLATE (CONICAL DRIVE)	2						
9	36350525420	DISK ASSY	12						
10	36350445230	PLATE (DRIVE)	10						
11	36350366020	PLATE (BACK)	2						
12	36370208060	RING,RETAINING	2						
13	36350525430	GEAR	1		39T				
14	80500006008	BEARING,BALL	2						
15	36350525440	RING,RETAINING	2						
16	36350366060	SPACER	2						
17	80500006208	BEARING,BALL	2						
18	36350366161	SPACER	1						
19	80500006307	BEARING,BALL	1						
20	36350366180	WASHER	3						
21	80601110350	RING,RITAINING	2		S35				
22	36350525470	GEAR	1		55T				
23	36350366080	SPACER	1						
24	36350366090	BEARING,BALL	1						
25	36350366120	RING,SEAL	3						
26	36350366133	SPACER	1						
31	36350525480	DISK KIT	1						
41	36350525490	SHAFT KIT	1						
50	36350525020	CLUTCH PACK, TRANSMISSION (F1.F3,F2.F4)	1						

GR-120N-1-00111 12T,X,WINCH(W/O FREE-FALL),JIB(PT)
 PR1420012-00 CLUTCH PACK, TRANSMISSION (HI,LO)

50

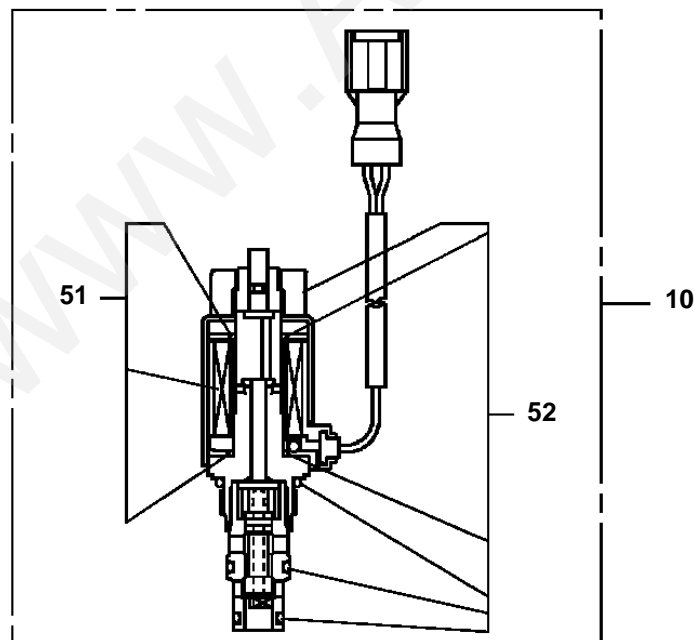
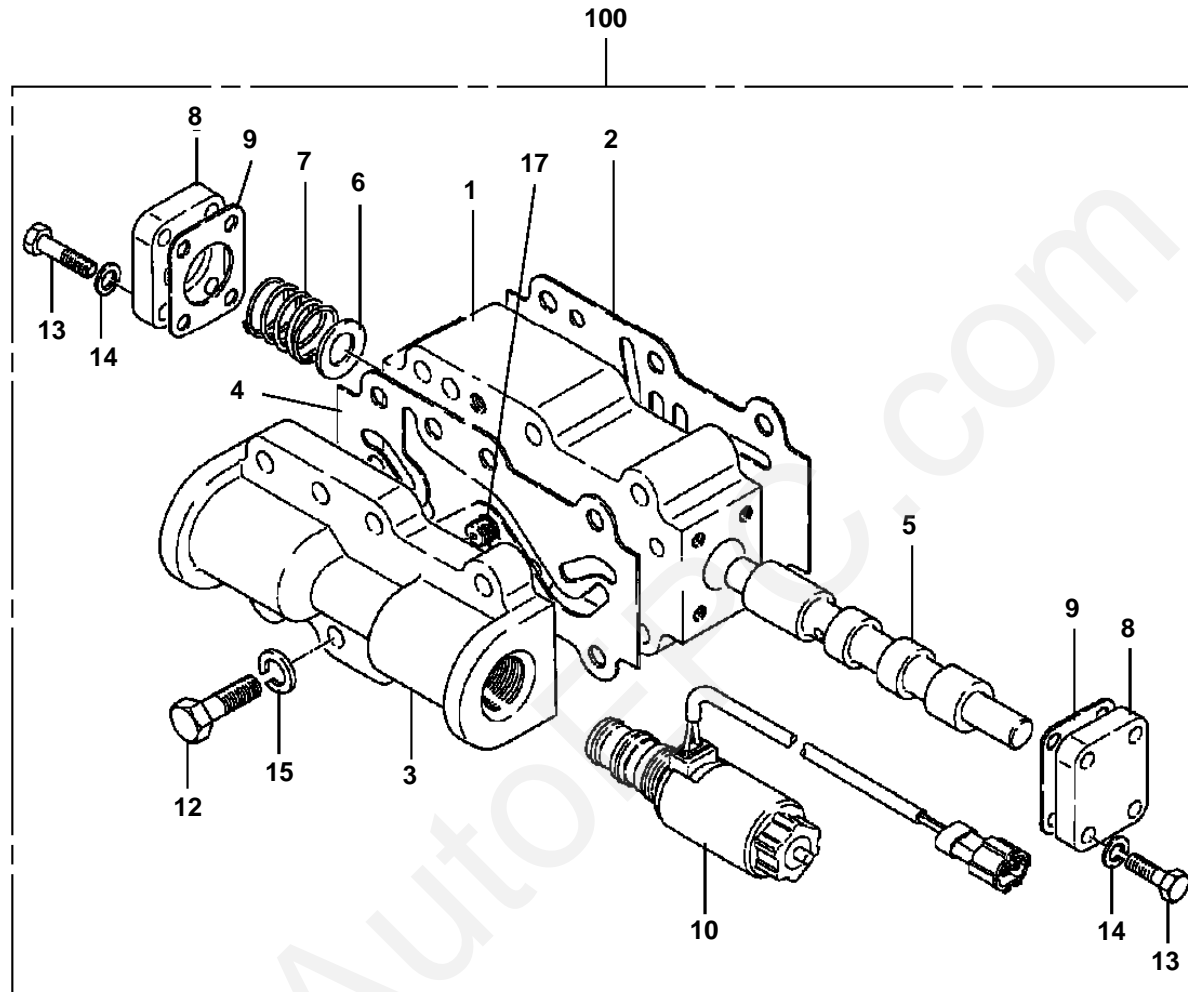


▲ : SHAFT KIT KEY NO41 (KEY NO. 1562627)

GR-120N-1-00111 12T,X,WINCH(W/O FREE-FALL),JIB(PT)

Pos No.	Parts No	Parts Name	Qty	Unit	Technical Data	Serial No (Start)	Serial No (End)	Remarks	Pages
1	36350525500	SHAFT ASSY	1						
2	36350365950	RING,SEAL	2						
3	36350267140	RING,SEAL	2						
4	36350525410	PISTON ASSY	2						
5	36350365971	WASHER	4						
6	36350445220	SPRING	2						
7	80601110400	RING,RITAINING	2		S40				
8	36350365990	PLATE (CONICAL DRIVE)	2						
9	36350525420	DISK ASSY	14						
10	36350445230	PLATE (DRIVE)	12						
11	36350366020	PLATE (BACK)	2						
12	36370208060	RING,RETAINING	2						
13	36350525510	GEAR	1		28T				
14	80500006008	BEARING,BALL	3						
15	36350525440	RING,RETAINING	2						
16	36350525520	PLATE	2						
17	36350525530	BEARING,ROLLER	1						
18	36350366250	GEAR (F)	1						
19	36350366100	BEARING,BALL	1						
20	36350366180	WASHER	2						
21	80601110350	RING,RITAINING	2		S35				
22	36350525540	GEAR	1		42T				
23	36350445330	GEAR	1		53T,F				
24	36350366090	BEARING,BALL	1						
25	36350366120	RING,SEAL	3						
26	36350366283	SPACER	1						
27	36350366291	SPACER	1						
31	36350525550	DISK KIT	1						
41	36350525560	SHAFT KIT	1						
50	36350525030	CLUTCH PACK, TRANSMISSION (HI,LO)	1						

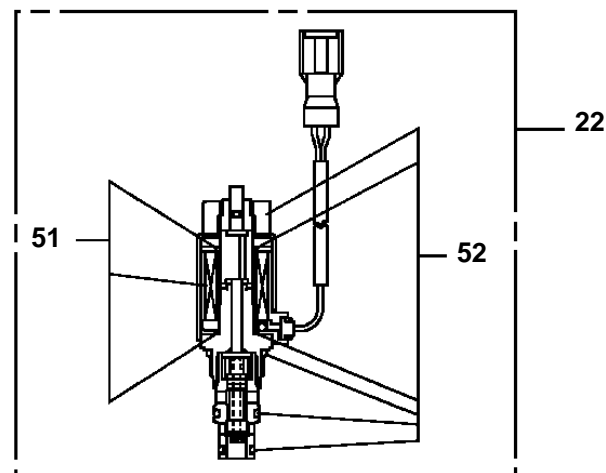
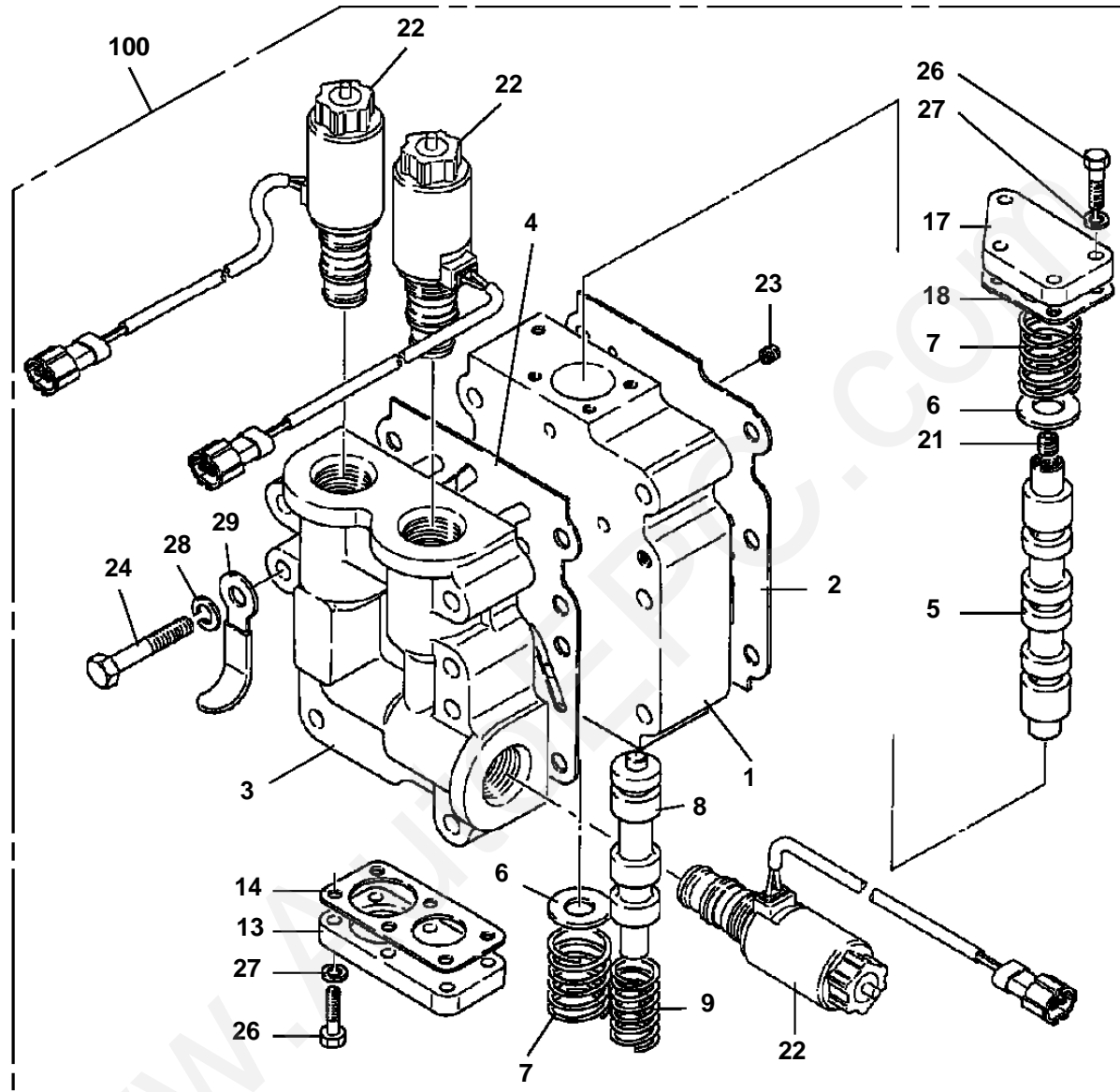
GR-120N-1-00111 12T,X,WINCH(W/O FREE-FALL),JIB(P
PR1520018-01 VALVE,SOLENOID (TRANSMISSION)



GR-120N-1-00111 12T,X,WINCH(W/O FREE-FALL),JIB(PT)

Pos No.	Parts No	Parts Name	Qty	Unit	Technical Data	Serial No (Start)	Serial No (End)	Remarks	Pages
1	36350525570	BODY,VALVE	1						
2	36350525580	GASKET	1						
3	36350445361	BODY,VALVE	1						
4	36350455930	GASKET (B)	1						
5	36350366350	SPOOL	1						
6	36350366361	WASHER	1						
7	36350366370	SPRING	1						
8	36350366380	COVER (C)	2						
9	36350366390	GASKET (C)	2						
10	36370415360	VALVE,SOLENOID	1						
12	90171108030	BOLT	2		M8X30				
13	90171106020	BOLT	8		M6X20				
14	90302050601	WASHER,SPRING (6)	8						
15	90302050801	WASHER,SPRING (8)	2						
17	36370208540	CHOKE	1						
51	36370415430	COIL KIT	1						
52	36370415440	OVERHAUL KIT	1						
100	36350525340	VALVE,SOLENOID (TRANSMISSION)	1						

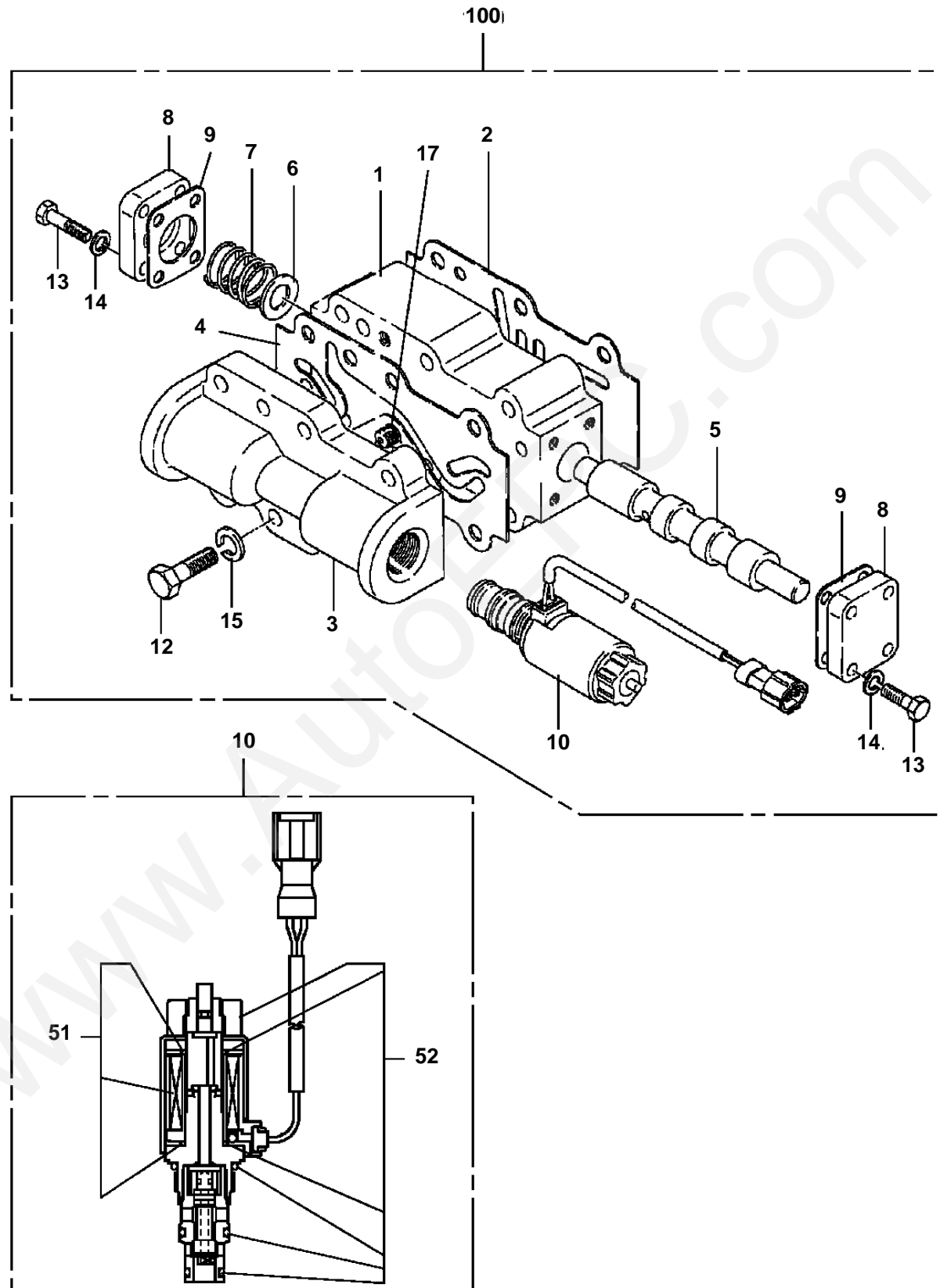
GR-120N-1-00111 12T,X,WINCH(W/O FREE-FALL),JIB(P
PR1520019-01 VALVE,SOLENOID (TRANSMISSION)



GR-120N-1-00111 12T,X,WINCH(W/O FREE-FALL),JIB(PT)

Pos No.	Parts No	Parts Name	Qty	Unit	Technical Data	Serial No (Start)	Serial No (End)	Remarks	Pages
1	36350525590	BODY,VALVE	1						
2	36350366431	GASKET	1						
3	36350445380	BODY,VALVE (B)	1						
4	36350366450	GASKET (B)	1						
5	36350366461	SPOOL	1						
6	36350366361	WASHER	2						
7	36350366370	SPRING	2						
8	36350366570	SPOOL	1						
9	36350445390	SPRING (PRESSURE)	1						
13	36350366490	COVER (A)	1						
14	36350366500	GASKET (C)	1						
17	36350445400	COVER (B)	1						
18	36350366520	GASKET (D)	1						
21	36350366530	BOLT	1		M8X10				
22	36370415360	VALVE,SOLENOID	3						
23	36370355250	CHOKE	1						
24	90101508050	BOLT	2		M8X50				
26	90171106020	BOLT	10		M6X20				
27	90302050601	WASHER,SPRING (6)	10						
28	90302050801	WASHER,SPRING (8)	2						
29	36350265970	CLIP	1						
51	36370415430	COIL KIT	3						
52	36370415440	OVERHAUL KIT	3						
100	36350525350	VALVE,SOLENOID (TRANSMISSION)	1						

GR-120N-1-00111 12T,X,WINCH(W/O FREE-FALL),JIB(P
PR1520023-01 VALVE,SOLENOID (TRANSMISSION)

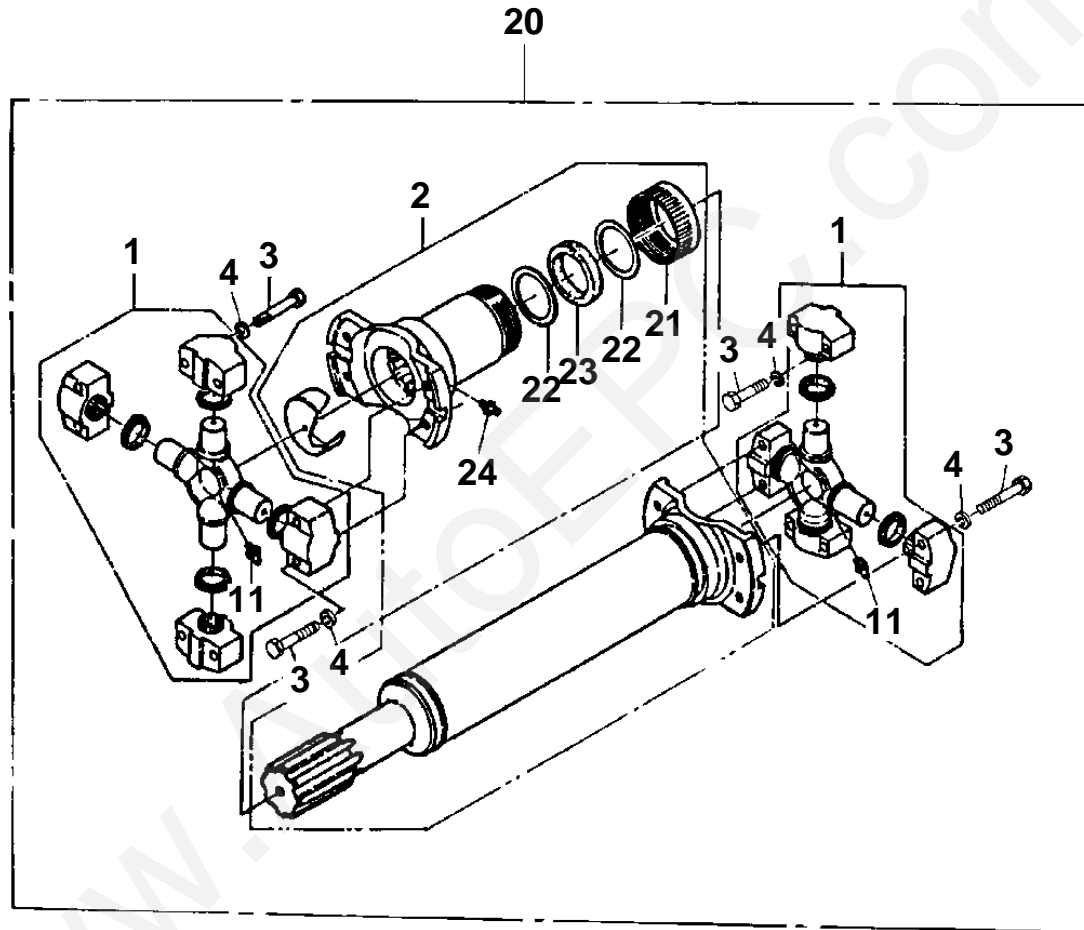


GR-120N-1-00111 12T,X,WINCH(W/O FREE-FALL),JIB(PT)

Pos No.	Parts No	Parts Name	Qty	Unit	Technical Data	Serial No (Start)	Serial No (End)	Remarks	Pages
1	36350525570	BODY,VALVE	1						
2	36350525580	GASKET	1						
3	36350525600	BODY,VALVE	1						
4	36350455930	GASKET (B)	1						
5	36350366350	SPOOL	1						
6	36350366361	WASHER	1						
7	36350366370	SPRING	1						
8	36350366380	COVER (C)	2						
9	36350366390	GASKET (C)	2						
10	36370415360	VALVE,SOLENOID	1						
12	90171108030	BOLT	2		M8X30				
13	90171106020	BOLT	8		M6X20				
14	90302050601	WASHER,SPRING (6)	8						
15	90302050801	WASHER,SPRING (8)	2						
17	36370208540	CHOKE	1						
51	36370415430	COIL KIT	1						
52	36370415440	OVERHAUL KIT	1						
100	36350525341	VALVE,SOLENOID (TRANSMISSION)	1						

www.AutoEPC.com

GR-120N-1-00111 12T,X,WINCH(W/O FREE-FALL),JIB(P
PR1600015-00 PROPELLER SHAFT,DRIVING

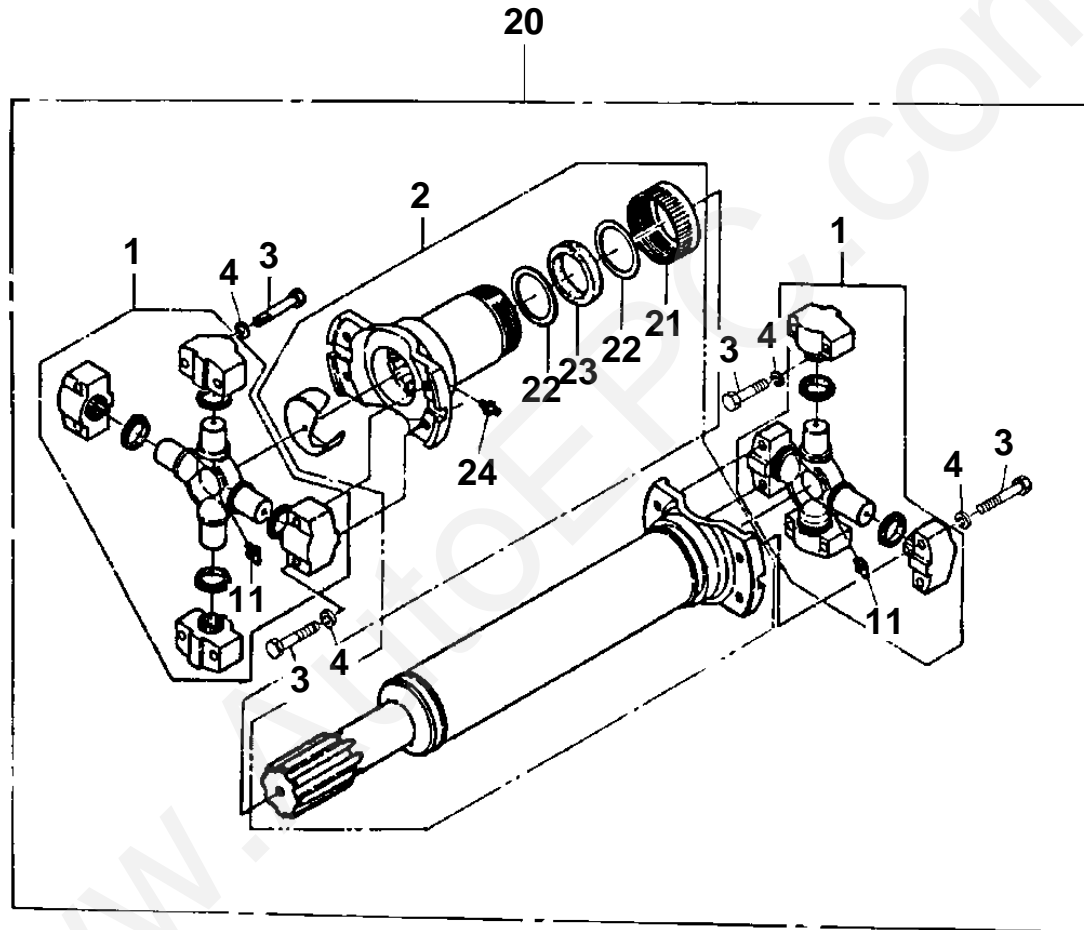


GR-120N-1-00111 12T,X,WINCH(W/O FREE-FALL),JIB(PT)

Pos No.	Parts No	Parts Name	Qty	Unit	Technical Data	Serial No (Start)	Serial No (End)	Remarks	Pages
1	36302095010	SPIDER ASSY	2						
2	36302095060	YOKE ASSY	1				FD0155		
	36302095070	YOKE ASSY	1			FD0156			
3	36302095040	BOLT	16		M10X45X1.25Z				
11	59236000010	NIPPLE,GREASE (UNF1/4X35A)	2						
20	36302095000	PROPELLER SHAFT,DRIVING	1						
21	36300965060	CAP (RETAINER)	1						
22	36301745020	WASHER (RETAINER)	2						
23	36302095030	WASHER,FELT	1						
24	59236000020	NIPPLE,GREASE	1		NPTF 1/8A				

www.AutoEPC.com

GR-120N-1-00111 12T,X,WINCH(W/O FREE-FALL),JIB(P
PR1600015-00 PROPELLER SHAFT,DRIVING

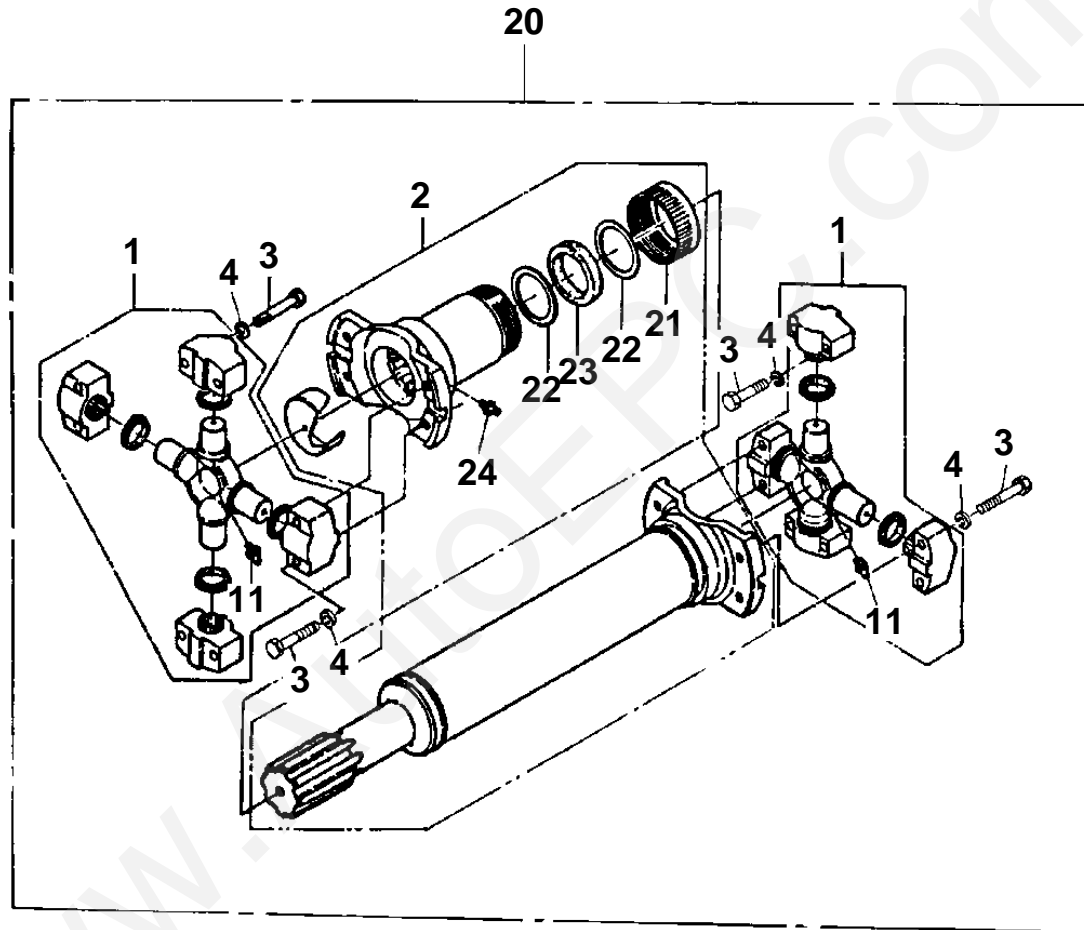


GR-120N-1-00111 12T,X,WINCH(W/O FREE-FALL),JIB(PT)

Pos No.	Parts No	Parts Name	Qty	Unit	Technical Data	Serial No (Start)	Serial No (End)	Remarks	Pages
1	36302115010	SPIDER ASSY	2						
2	36301755010	YOKE ASSY	1				FD0155		
	36302105010	YOKE ASSY	1			FD0156			
3	36302115030	BOLT	16		M12X53X1.25				
11	59236000010	NIPPLE,GREASE (UNF1/4X35A)	2						
20	36302105000	PROPELLER SHAFT,DRIVING	1						
21	36301755020	CAP (RETAINER)	1						
22	36300945020	WASHER (RETAINER)	2						
23	36300945030	WASHER,FELT	1						
24	59236000020	NIPPLE,GREASE	1		NPTF 1/8A				

www.AutoEPC.com

GR-120N-1-00111 12T,X,WINCH(W/O FREE-FALL),JIB(P
PR1600015-00 PROPELLER SHAFT,DRIVING

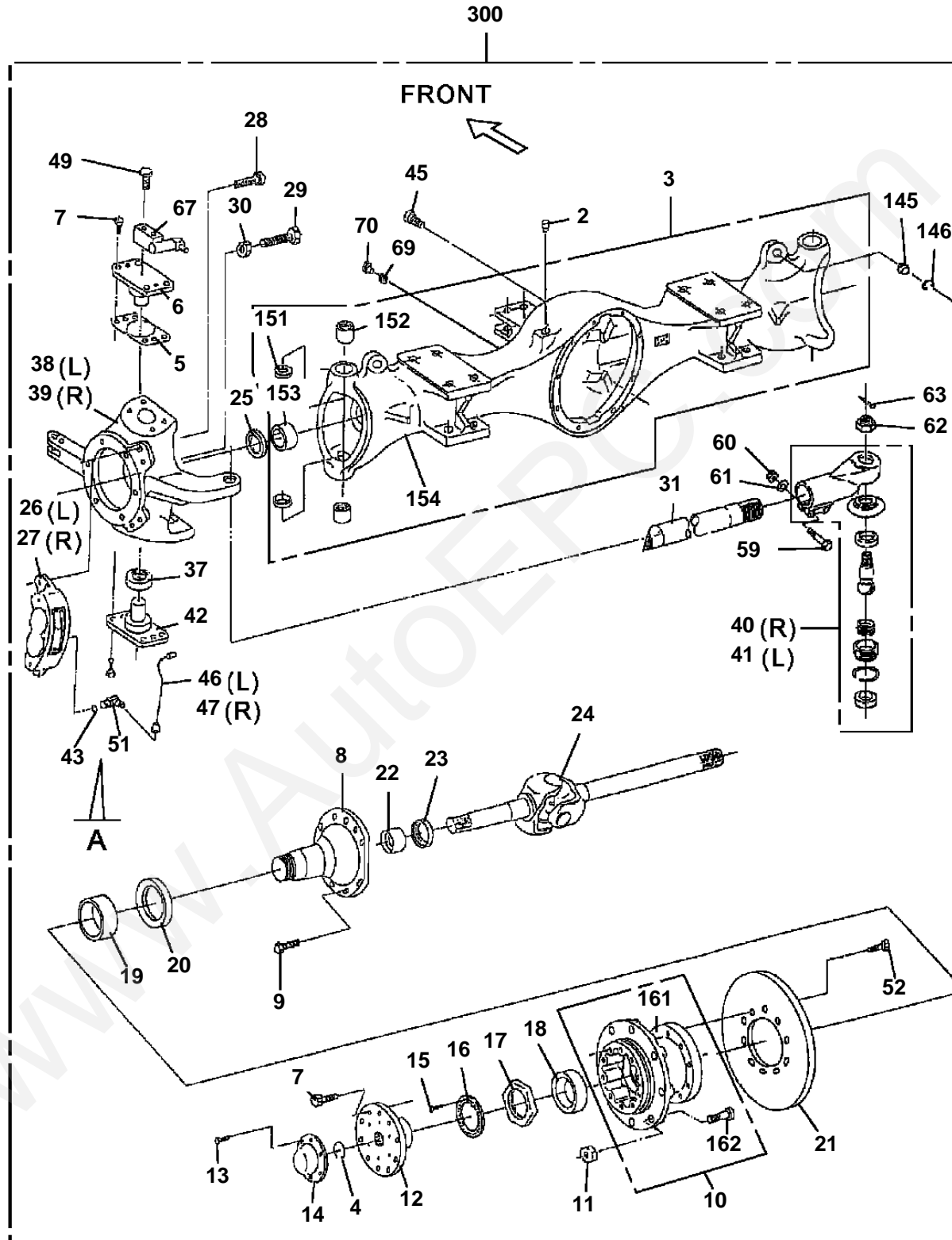


GR-120N-1-00111 12T,X,WINCH(W/O FREE-FALL),JIB(PT)

Pos No.	Parts No	Parts Name	Qty	Unit	Technical Data	Serial No (Start)	Serial No (End)	Remarks	Pages
1	36302115010	SPIDER ASSY	2						
2	36302115020	YOKE ASSY	1				FD0155		
	36302115050	YOKE ASSY	1			FD0156			
3	36302115030	BOLT	16		M12X53X1.25				
11	59236000010	NIPPLE,GREASE (UNF1/4X35A)	2						
20	36302115000	PROPELLER SHAFT,DRIVING	1						
21	36301755020	CAP (RETAINER)	1						
22	36300945020	WASHER (RETAINER)	2						
23	36300945030	WASHER,FELT	1						
24	59236000020	NIPPLE,GREASE	1		NPTF 1/8A				

www.AutoEPC.com

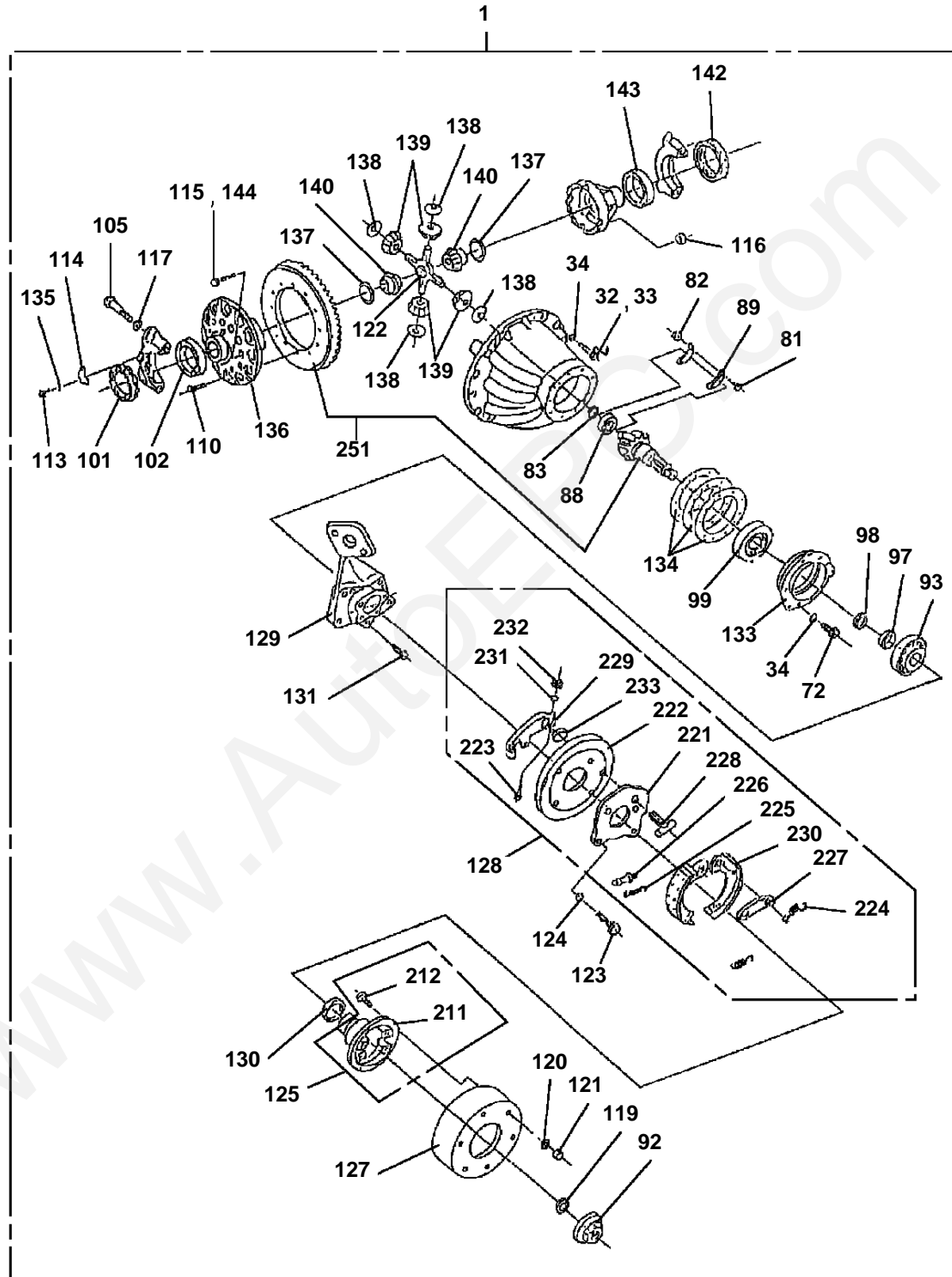
GR-120N-1-00111 12T,X,WINCH(W/O FREE-FALL),JIB(P
 PR1620086-06 AXLE,DRIVING (FRONT)



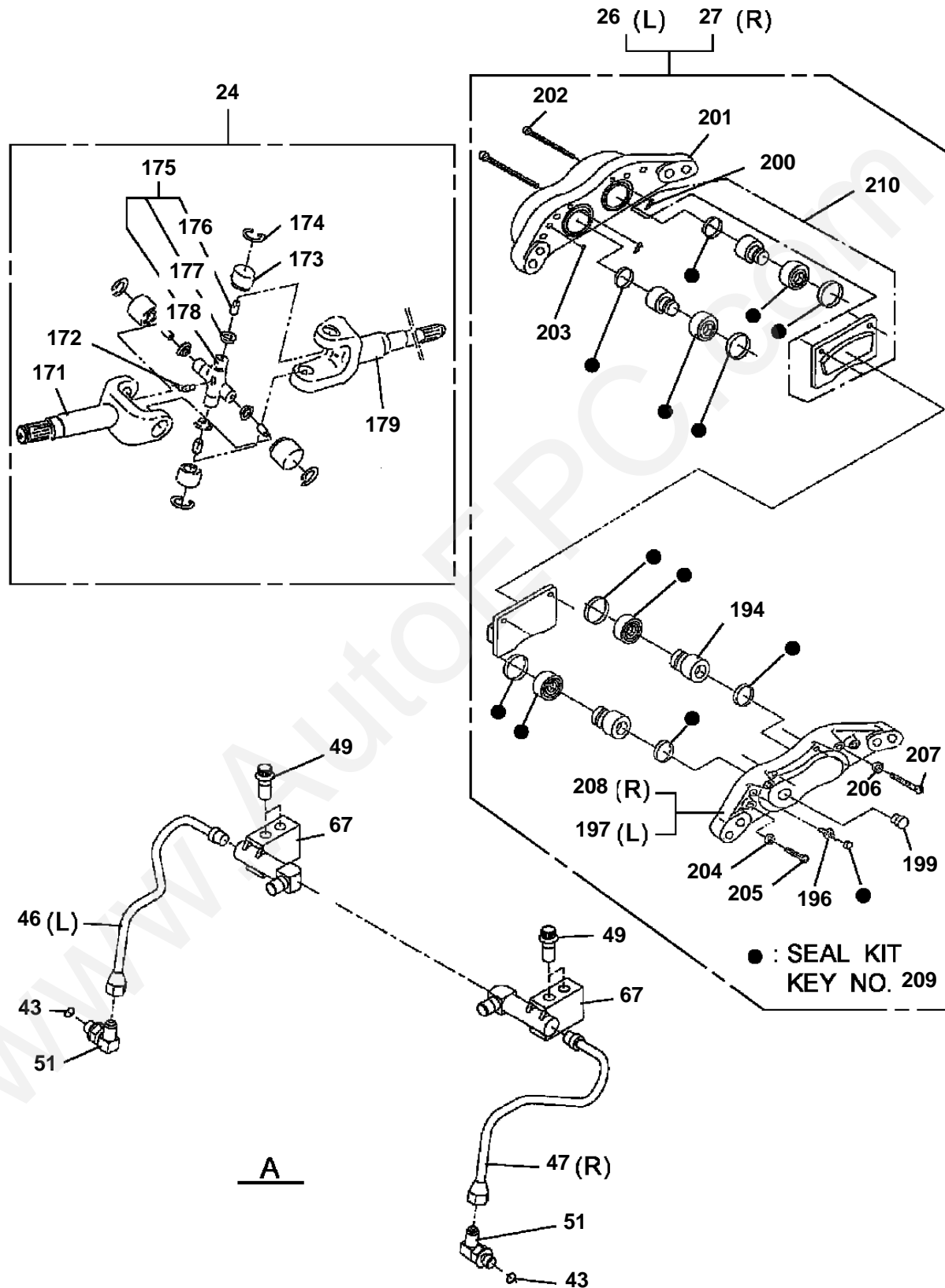
(R):RIGHTHAND OF CHASSIS.
 (L):LEFTHAND OF CHASSIS.

展開圖有
 ILLUSTRATED BREAKDOWN NO.24,26,27

GR-120N-1-00111 12T,X,WINCH(W/O FREE-FALL),JIB(P
PR1620086-06 AXLE,DRIVING (FRONT)



GR-120N-1-00111 12T,X,WINCH(W/O FREE-FALL),JIB(P
PR1620086-06 AXLE,DRIVING (FRONT)



GR-120N-1-00111 12T,X,WINCH(W/O FREE-FALL),JIB(PT)

Pos No.	Parts No	Parts Name	Qty	Unit	Technical Data	Serial No (Start)	Serial No (End)	Remarks	Pages
1	36381335011	DIFFERENTIAL ASSY (FRONT)	1						
2	36381155020	BREATHER,AIR	1						
3	36381635010	HOUSING ASSY (AXLE)	1						
4	36381335060	RING,RETAINING	2						
5	36381155050	SHIM	N						
6	36381335070	PIN,KING	2						
7	36381155080	BOLT	36		M16X1.5X35				
8	36381635040	SPINDLE	2						
9	36381155080	BOLT	28		M16X1.5X35				
10	36381635050	HUB (WHEEL PIN)	2						
11	36381155130	NUT (WHEEL/ RIGHT HAND SCREW)	16						
12	36381635070	FLANGE (AXLE SHAFT)	2						
13	36381335130	BOLT	12		M8X1.25X12				
14	36381155170	COVER (AXLE SHAFT)	2						
15	36381155180	BOLT	6		M6X1.0				
16	36381155190	WASHER (LOCK)	2						
17	36381155200	NUT,BEARING	2						
18	36381155210	BEARING (HUB)	2						
19	36381155210	BEARING (HUB)	2						
20	36381335140	SEAL,OIL	2						
21	36381335150	DISK	2						
22	36381335160	BUSH (SPINDLE)	2						
23	36381155270	SEAL,OIL	2						
24	36381635080	SHAFT (AXLE)	2						
25	36381155290	SEAL,OIL	2						
26	36381635150	BRAKE,DISK (A)	1						
27	36381635330	BRAKE,DISK (B)	1						
28	36381635350	BOLT (BRAKE)	8						
29	36381635360	BOLT (STERRING STOPPER)	2						
30	36381635370	NUT	2						
31	36381635380	TIE ROD	1						
32	36381335470	BOLT	8		M12X1.25X35				
33	36381335390	BOLT	4		M12X1.25X55				
34	36381155630	WASHER,SPRING	20		12				
37	36381155450	BEARING,THRUST	2						
38	36381635390	KNUCKLE	1						
39	36381635400	KNUCKLE	1						
40	36381335330	END,ROD (RIGHT HAND SCREW)	1						
41	36381335340	END,ROD (LEFT HAND SCREW)	1						
42	36381155480	PIN,KING	2						
43	36381335350	O-RING	2						
45	36381155510	PLUG	1		PT1/2				
46	36381335370	BRAKE PIPE ASSY	1						
47	36381335360	BRAKE PIPE ASSY	1						
49	36381155560	BOLT	4		M10X1.25				
51	36381335380	JOINT,ELBOW	2						
52	36381155080	BOLT	24		M16X1.5X35				
59	36381335390	BOLT	4		M12X1.25X55				
60	36381335400	NUT	4		M12X1.25				
61	36381155630	WASHER,SPRING	4		12				
62	36381335410	NUT	2		M24X2.0				
63	36381335420	PIN,SPLIT	2						
67	36381635410	JOINT ASSY	2						
69	36381335840	GASKET	1						
70	36381335830	PLUG	1		M16				
72	36381335480	BOLT	8						

GR-120N-1-00111 12T,X,WINCH(W/O FREE-FALL),JIB(PT)

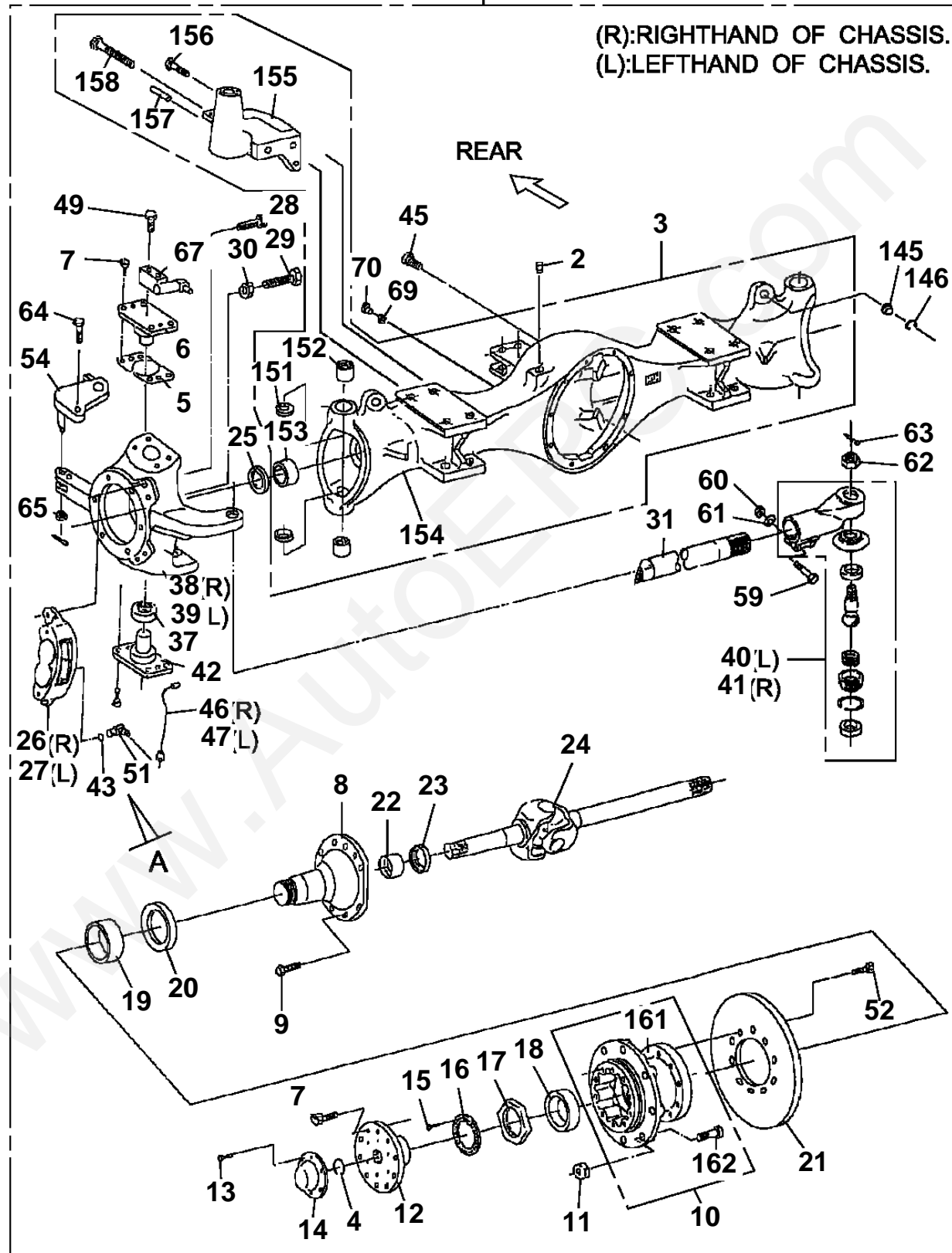
Pos No.	Parts No	Parts Name	Qty	Unit	Technical Data	Serial No (Start)	Serial No (End)	Remarks	Pages
81	36381335490	BOLT	2						
82	36381155850	NUT	2		M8X1.25				
83	36381335500	RING,RETAINING	1						
88	36381335520	BEARING,ROLLER	1						
89	36381335510	RETAINER	2						
92	36381335530	NUT	1						
93	36381335540	BEARING,TAPER ROLLER	1						
97	36381335550	SPACER	N						
98	36381335560	SHIM (PINION)	N						
99	36381335570	BEARING,TAPER ROLLER	1						
101	36381335580	NUT (ADJUST)	1						
102	36381335590	BEARING,TAPER ROLLER	1						
105	36381335600	BOLT	4						
110	36381335610	BOLT (RING GEAR)	16						
113	36381335620	BOLT	4		M8X16				
114	36381335630	PLATE (LOCK)	2						
115	36381335640	BOLT (DIFF.CASE)	4						
116	36381335650	NUT	8						
117	36381335660	WASHER	4						
119	36381335670	O-RING	1						
120	36381155790	WASHER,SPRING	6		14				
121	36381156110	NUT	6		M14X1.5				
122	36381335680	SPIDER	1						
123	36381156070	BOLT	4		M16X2				
124	36381156130	WASHER,SPRING	4		16				
125	36381335690	FLANGE ASSY	1						
127	36381156160	DRUM,BRAKE	1						
128	36381156170	BRAKE,PARKING	1						
129	36381335710	COVER (CARRIER)	1						
130	36381335850	SEAL,OIL	1						
131	36381156200	BOLT	4		M16X2.0X50				
133	36381335720	CAGE,PINION	1						
134	36381335730	SHIM (PINION)	N						
135	36381335740	PLATE (LOCK)	2						
136	36381335860	CASE (A,DIFFERENTIAL)	1						
137	36381335750	WASHER,THRUST	2						
138	36381335760	WASHER,THRUST	4						
139	36381335900	GEAR,PINION (DIFFERENTIAL)	4						
140	36381335910	GEAR,SIDE	2						
142	36381335770	NUT (ADJUST)	1						
143	36381335780	BEARING,TAPER ROLLER	1						
144	36381335790	BOLT (DIFF.CASE)	4						
145	36381635430	HOUSING	2						
146	36381635440	RING,RETAINING	2						
151	36381335030	PLUG	4						
152	36381635020	BUSH,KING PIN	4						
153	36381335040	BUSH	2						
154	36381635030	HOUSING (AXLE)	1						
161	36381635060	HUB	2						
162	36381335110	PIN (WHEEL)	16						
171	36381635090	YOKE (AXLE SHAFT)	2						
172	36381156680	NIPPLE,GREASE	2						
173	36381635100	BEARING	8						
174	36381635110	RING,RETAINING	8						
175	36381635120	SPIDER ASSY	2						
176	36381635130	PLUG	8						

GR-120N-1-00111 12T,X,WINCH(W/O FREE-FALL),JIB(PT)

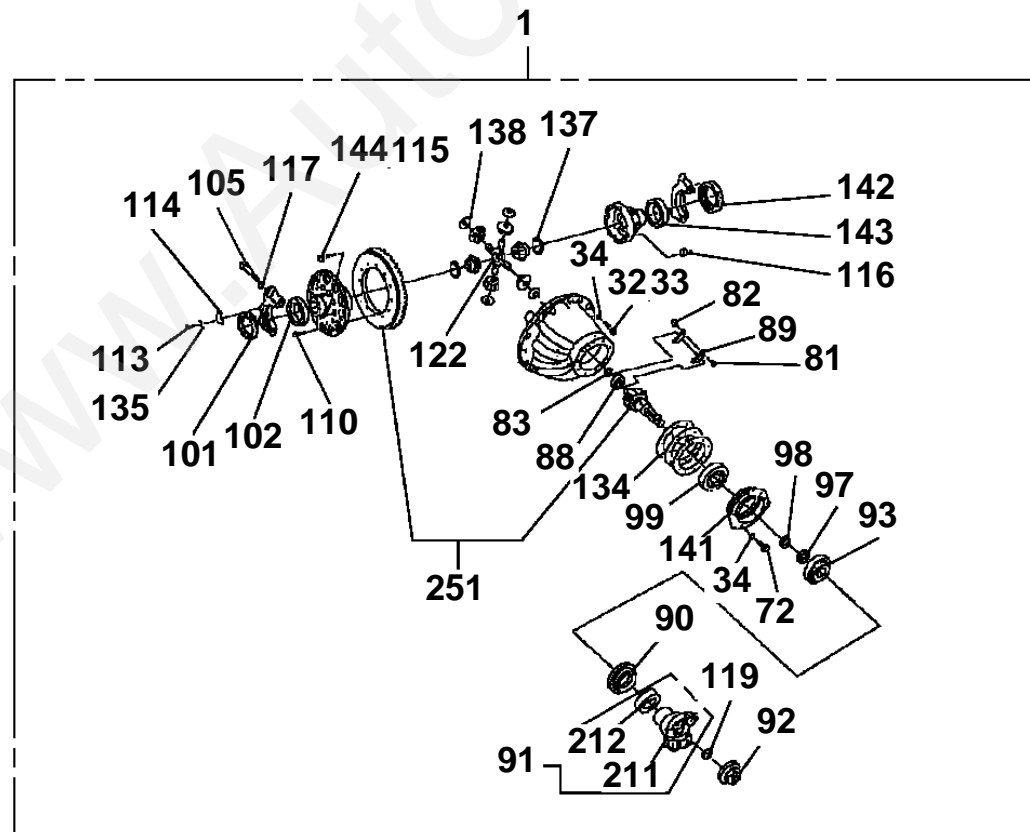
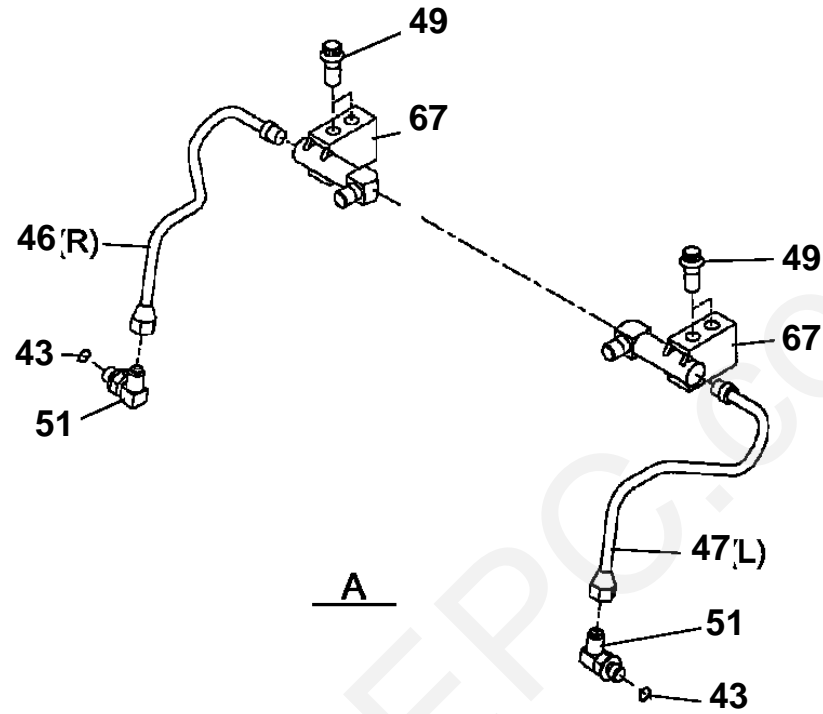
Pos No.	Parts No	Parts Name	Qty	Unit	Technical Data	Serial No (Start)	Serial No (End)	Remarks	Pages
177	36381335220	COVER (DUST)	8						
178	36381335230	SPIDER	2						
179	36381635140	YOKE (AXLE SHAFT)	2						
194	36381635190	PISTON	8						
196	36381635210	SCREW (BLEEDER)	2						
197	36381635220	BODY (CALIPER INNER)	1						
199	36381635240	PROTECTOR (THREAD)	2						
200	36381635250	PIN,SNAP	4						
201	36381635260	BODY	2						
202	36381635270	PIN (PAD)	4						
203	36381635280	SEAL	4						
204	36381635290	WASHER,PLAIN	4						
205	36381635300	BOLT	4						
206	36381635310	WASHER,PLAIN	4						
207	36381635320	BOLT	4						
208	36381635340	BODY (CALIPER INNER)	1						
209	36381635451	SEAL KIT	2						
210	36381635420	PAD KIT	2						
211	36381335700	FLANGE	1						
212	36381156150	BOLT	6		M14X1.5				
221	36381156550	NUT	1		M10X1.25				
222	36381156560	WASHER,SPRING	1		10				
223	36381156570	BOLT	1		M10X1.25				
224	36381156580	LEVER	1						
225	36381156590	COVER (DUST)	1						
226	36381156600	PLATE	1						
227	36381156610	SHAFT	1						
228	36381156620	SCREW	1						
229	36381156630	SPRING	1						
230	36381156640	SHOE ASSY	2						
231	36381156650	BRACE	1						
232	36381156660	SPRING	2						
233	36381156310	WASHER	1						
251	36381335870	PINION & GEAR ASSY	1						
300	36381630000	AXLE,DRIVING (FRONT)	1						

GR-120N-1-00111 12T,X,WINCH(W/O FREE-FALL),JIB(P
PR1620087-04 AXLE,DRIVING (REAR)

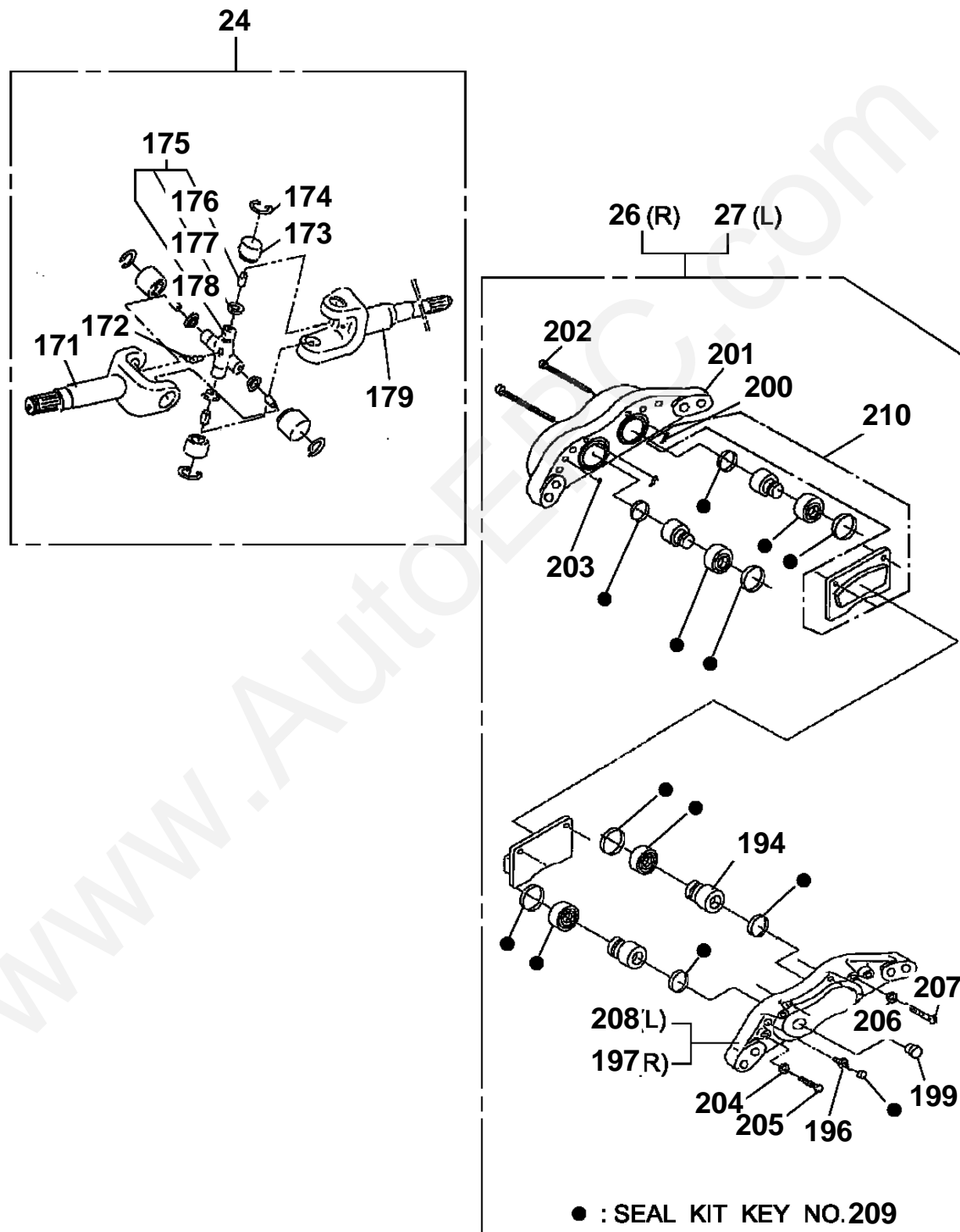
300



GR-120N-1-00111 12T,X,WINCH(W/O FREE-FALL),JIB(P
PR1620087-04 AXLE,DRIVING (REAR)



GR-120N-1-00111 12T,X,WINCH(W/O FREE-FALL),JIB(P
PR1620087-04 AXLE,DRIVING (REAR)



GR-120N-1-00111 12T,X,WINCH(W/O FREE-FALL),JIB(PT)

Pos No.	Parts No	Parts Name	Qty	Unit	Technical Data	Serial No (Start)	Serial No (End)	Remarks	Pages
1	36381375010	DIFFERENTIAL ASSY (REAR)	1						
2	36381155020	BREATHER,AIR	1						
3	36381645010	HOUSING ASSY (AXLE)	1						
4	36381335060	RING,RETAINING	2						
5	36381155050	SHIM	N						
6	36381335070	PIN,KING	2						
7	36381155080	BOLT	36		M16X1.5X35				
8	36381635040	SPINDLE	2						
9	36381155080	BOLT	28		M16X1.5X35				
10	36381635050	HUB (WHEEL PIN)	2						
11	36381155130	NUT (WHEEL/ RIGHT HAND SCREW)	16						
12	36381635070	FLANGE (AXLE SHAFT)	2						
13	36381335130	BOLT	12		M8X1.25X12				
14	36381155170	COVER (AXLE SHAFT)	2						
15	36381155180	BOLT	6		M6X1.0				
16	36381155190	WASHER (LOCK)	2						
17	36381155200	NUT,BEARING	2						
18	36381155210	BEARING (HUB)	2						
19	36381155210	BEARING (HUB)	2						
20	36381335140	SEAL,OIL	2						
21	36381335150	DISK	2						
22	36381335160	BUSH (SPINDLE)	2						
23	36381155270	SEAL,OIL	2						
24	36381635080	SHAFT (AXLE)	2						
25	36381155290	SEAL,OIL	2						
26	36381635150	BRAKE,DISK (A)	1						
27	36381635330	BRAKE,DISK (B)	1						
28	36381635350	BOLT (BRAKE)	8						
29	36381635360	BOLT (STERRING STOPPER)	2						
30	36381635370	NUT	2						
31	36381635380	TIE ROD	1						
32	36381335470	BOLT	8		M12X1.25X35				
33	36381335390	BOLT	4		M12X1.25X55				
34	36381155630	WASHER,SPRING	20		12				
37	36381155450	BEARING,THRUST	2						
38	36381635390	KNUCKLE	1						
39	36381635400	KNUCKLE	1						
40	36381335330	END,ROD (RIGHT HAND SCREW)	1						
41	36381335340	END,ROD (LEFT HAND SCREW)	1						
42	36381155480	PIN,KING	2						
43	36381335350	O-RING	2						
45	36381155510	PLUG	1		PT1/2				
46	36381335370	BRAKE PIPE ASSY	1						
47	36381335360	BRAKE PIPE ASSY	1						
49	36381155560	BOLT	4		M10X1.25				
51	36381335380	JOINT,ELBOW	2						
52	36381155080	BOLT	24		M16X1.5X35				
54	36381645050	BRACKET (LOCK B)	1						
59	36381335390	BOLT	4		M12X1.25X55				
60	36381335400	NUT	4		M12X1.25				
61	36381155630	WASHER,SPRING	4		12				
62	36381335410	NUT	2		M24X2.0				
63	36381335420	PIN,SPLIT	2						
64	36381375100	BOLT	1		M14X1.5				
65	36381645060	NUT (BRACKET B)	1						
67	36381635410	JOINT ASSY	2						

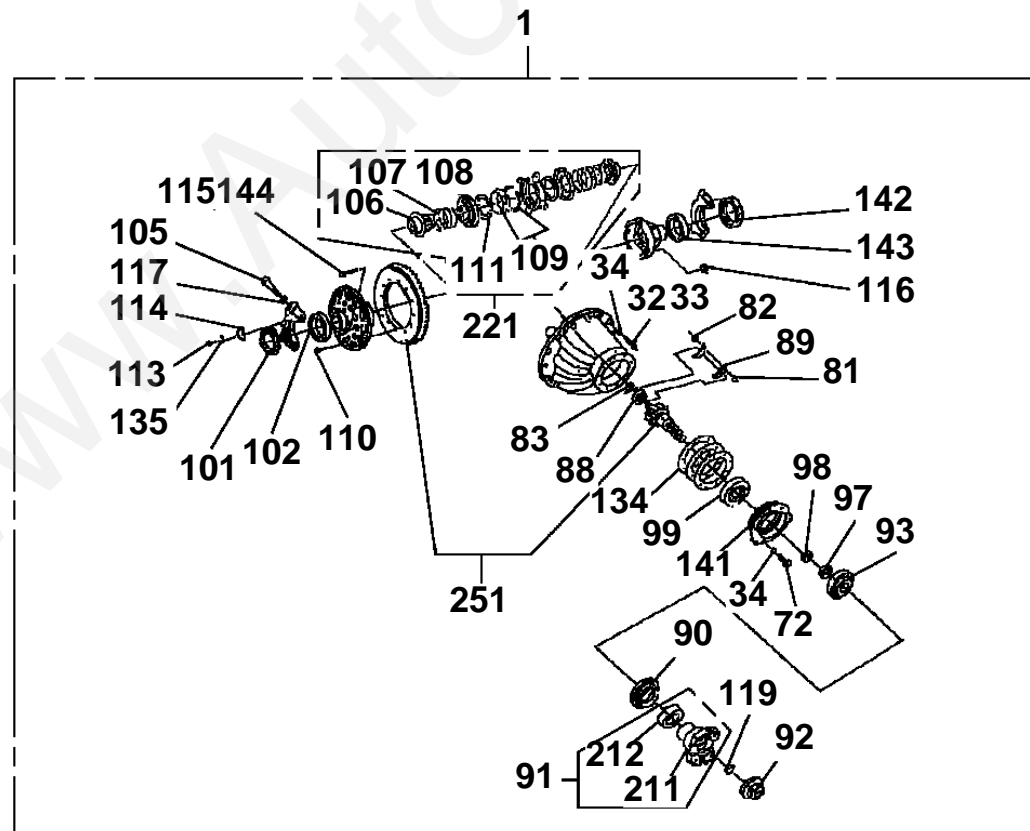
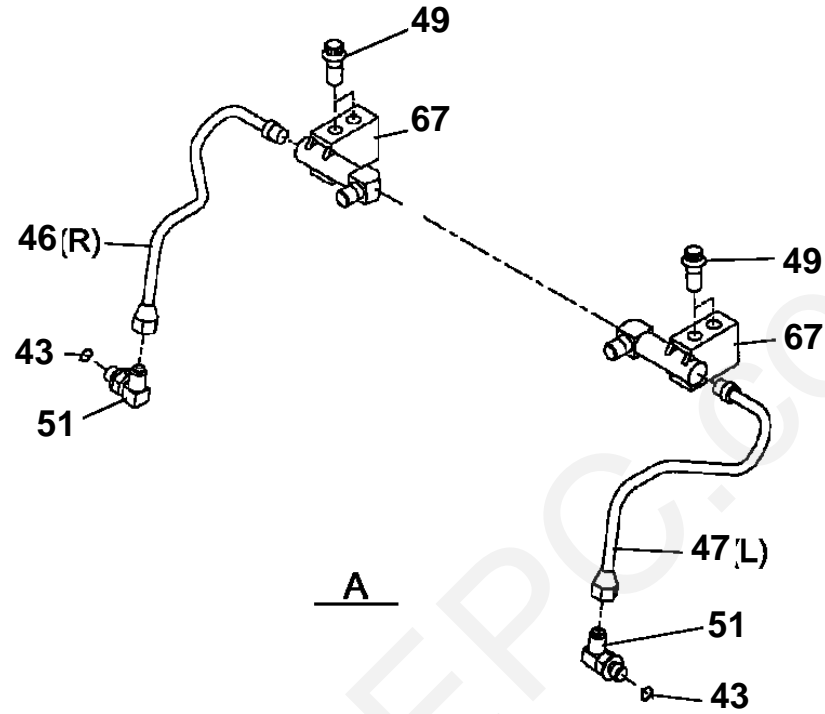
GR-120N-1-00111 12T,X,WINCH(W/O FREE-FALL),JIB(PT)

Pos No.	Parts No	Parts Name	Qty	Unit	Technical Data	Serial No (Start)	Serial No (End)	Remarks	Pages
69	36381335840	GASKET	1						
70	36381335830	PLUG	1		M16				
72	36381335480	BOLT	8						
81	36381335490	BOLT	2						
82	36381155850	NUT	2		M8X1.25				
83	36381335500	RING,RETAINING	1						
88	36381335520	BEARING,ROLLER	1						
89	36381335510	RETAINER	2						
90	36381375120	SEAL,OIL	1						
91	36381375130	FLANGE ASSY	1						
92	36381335530	NUT	1						
93	36381335540	BEARING,TAPER ROLLER	1						
97	36381335550	SPACER	N						
98	36381335560	SHIM (PINION)	N						
99	36381335570	BEARING,TAPER ROLLER	1						
101	36381335580	NUT (ADJUST)	1						
102	36381335590	BEARING,TAPER ROLLER	1						
105	36381335600	BOLT	4						
110	36381335610	BOLT (RING GEAR)	16						
113	36381335620	BOLT	4		M8X16				
114	36381335630	PLATE (LOCK)	2						
115	36381335640	BOLT (DIFF.CASE)	4						
116	36381335650	NUT	8						
117	36381335660	WASHER	4						
119	36381335670	O-RING	1						
122	36381335680	SPIDER	1						
134	36381335730	SHIM (PINION)	N						
135	36381335740	PLATE (LOCK)	2						
137	36381335750	WASHER,THRUST	2						
138	36381335760	WASHER,THRUST	4						
141	36381375160	CAGE,PINION	1						
142	36381335770	NUT (ADJUST)	1						
143	36381335780	BEARING,TAPER ROLLER	1						
144	36381335790	BOLT (DIFF.CASE)	4						
145	36381635430	HOUSING	2						
146	36381635440	RING,RETAINING	2						
151	36381335030	PLUG	4						
152	36381635020	BUSH,KING PIN	4						
153	36381335040	BUSH	2						
154	36381645020	HOUSING (AXLE)	1						
155	36381645030	BRACKET (LOCK A)	1						
156	36381375080	BOLT	2		M16X1.5X50				
157	36381645040	PIN (STRAIGHT)	2						
158	36381375070	BOLT	1		M16X1.5X147				
161	36381635060	HUB	2						
162	36381335110	PIN (WHEEL)	16						
171	36381635090	YOKE (AXLE SHAFT)	2						
172	36381156680	NIPPLE,GREASE	2						
173	36381635100	BEARING	8						
174	36381635110	RING,RETAINING	8						
175	36381635120	SPIDER ASSY	2						
176	36381635130	PLUG	8						
177	36381335220	COVER (DUST)	8						
178	36381335230	SPIDER	2						
179	36381635140	YOKE (AXLE SHAFT)	2						
194	36381635190	PISTON	8						

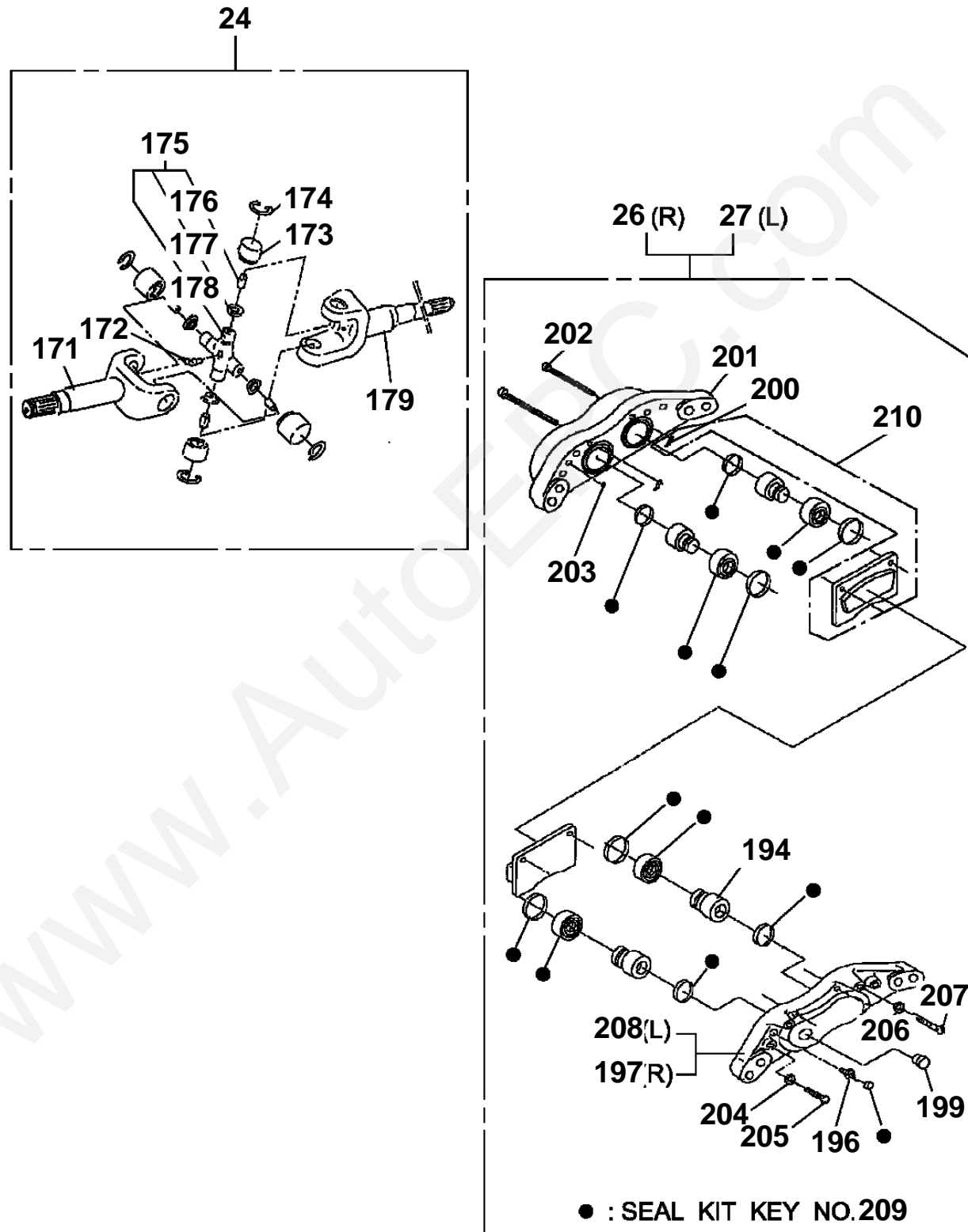
GR-120N-1-00111 12T,X,WINCH(W/O FREE-FALL),JIB(PT)

Pos No.	Parts No	Parts Name	Qty	Unit	Technical Data	Serial No (Start)	Serial No (End)	Remarks	Pages
196	36381635210	SCREW (BLEEDER)	2						
197	36381635220	BODY (CALIPER INNER)	1						
199	36381635240	PROTECTOR (THREAD)	2						
200	36381635250	PIN,SNAP	4						
201	36381635260	BODY	2						
202	36381635270	PIN (PAD)	4						
203	36381635280	SEAL	4						
204	36381635290	WASHER,PLAIN	4						
205	36381635300	BOLT	4						
206	36381635310	WASHER,PLAIN	4						
207	36381635320	BOLT	4						
208	36381635340	BODY (CALIPER INNER)	1						
209	36381635451	SEAL KIT	2						
210	36381635420	PAD KIT	2						
211	36381375140	FLANGE	1						
212	36381375150	COVER (DUST)	1						
251	36381335870	PINION & GEAR ASSY	1						
300	36381640000	AXLE,DRIVING (REAR)	1						

GR-120N-1-00111 12T,X,WINCH(W/O FREE-FALL),JIB(P
PR1620088-04 AXLE,DRIVING (REAR,NO-SPIN)



GR-120N-1-00111 12T,X,WINCH(W/O FREE-FALL),JIB(P
PR1620088-04 AXLE,DRIVING (REAR,NO-SPIN)



GR-120N-1-00111 12T,X,WINCH(W/O FREE-FALL),JIB(PT)

Pos No.	Parts No	Parts Name	Qty	Unit	Technical Data	Serial No (Start)	Serial No (End)	Remarks	Pages
1	36381475010	DIFFERENTIAL ASSY (REAR,NO-SPIN)	1						
2	36381155020	BREATHER,AIR	1						
3	36381645010	HOUSING ASSY (AXLE)	1						
4	36381335060	RING,RETAINING	2						
5	36381155050	SHIM	N						
6	36381335070	PIN,KING	2						
7	36381155080	BOLT	36		M16X1.5X35				
8	36381635040	SPINDLE	2						
9	36381155080	BOLT	28		M16X1.5X35				
10	36381635050	HUB (WHEEL PIN)	2						
11	36381155130	NUT (WHEEL/ RIGHT HAND SCREW)	16						
12	36381635070	FLANGE (AXLE SHAFT)	2						
13	36381335130	BOLT	12		M8X1.25X12				
14	36381155170	COVER (AXLE SHAFT)	2						
15	36381155180	BOLT	6		M6X1.0				
16	36381155190	WASHER (LOCK)	2						
17	36381155200	NUT,BEARING	2						
18	36381155210	BEARING (HUB)	2						
19	36381155210	BEARING (HUB)	2						
20	36381335140	SEAL,OIL	2						
21	36381335150	DISK	2						
22	36381335160	BUSH (SPINDLE)	2						
23	36381155270	SEAL,OIL	2						
24	36381635080	SHAFT (AXLE)	2						
25	36381155290	SEAL,OIL	2						
26	36381635150	BRAKE,DISK (A)	1						
27	36381635330	BRAKE,DISK (B)	1						
28	36381635350	BOLT (BRAKE)	8						
29	36381635360	BOLT (STERRING STOPPER)	2						
30	36381635370	NUT	2						
31	36381635380	TIE ROD	1						
32	36381335470	BOLT	8		M12X1.25X35				
33	36381335390	BOLT	4		M12X1.25X55				
34	36381155630	WASHER,SPRING	20		12				
37	36381155450	BEARING,THRUST	2						
38	36381635390	KNUCKLE	1						
39	36381635400	KNUCKLE	1						
40	36381335330	END,ROD (RIGHT HAND SCREW)	1						
41	36381335340	END,ROD (LEFT HAND SCREW)	1						
42	36381155480	PIN,KING	2						
43	36381335350	O-RING	2						
45	36381155510	PLUG	1		PT1/2				
46	36381335370	BRAKE PIPE ASSY	1						
47	36381335360	BRAKE PIPE ASSY	1						
49	36381155560	BOLT	4		M10X1.25				
51	36381335380	JOINT,ELBOW	2						
52	36381155080	BOLT	24		M16X1.5X35				
54	36381645050	BRACKET (LOCK B)	1						
59	36381335390	BOLT	4		M12X1.25X55				
60	36381335400	NUT	4		M12X1.25				
61	36381155630	WASHER,SPRING	4		12				
62	36381335410	NUT	2		M24X2.0				
63	36381335420	PIN,SPLIT	2						
64	36381375100	BOLT	1		M14X1.5				
65	36381645060	NUT (BRACKET B)	1						
67	36381635410	JOINT ASSY	2						

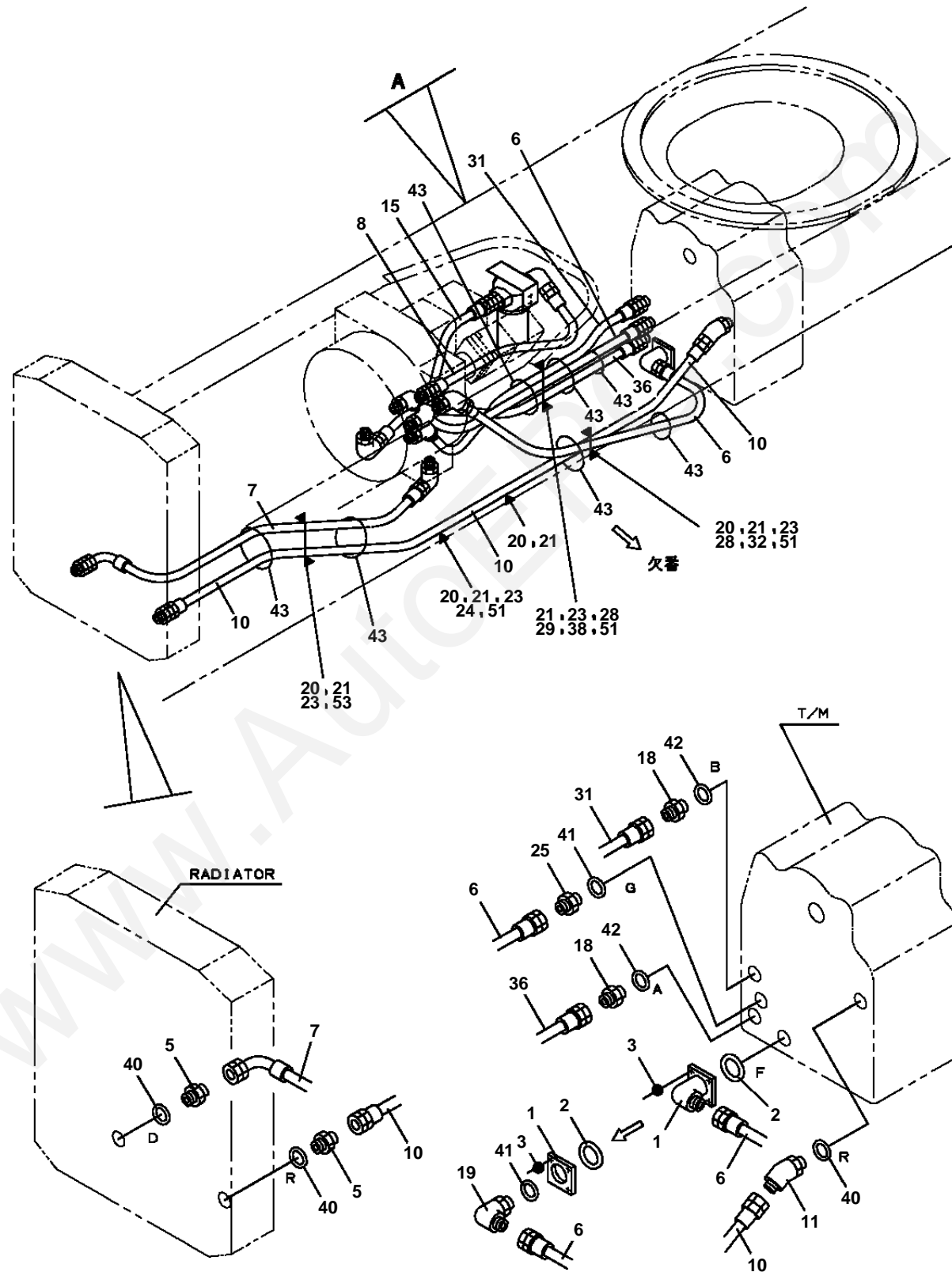
GR-120N-1-00111 12T,X,WINCH(W/O FREE-FALL),JIB(PT)

Pos No.	Parts No	Parts Name	Qty	Unit	Technical Data	Serial No (Start)	Serial No (End)	Remarks	Pages
69	36381335840	GASKET	1						
70	36381335830	PLUG	1		M16				
72	36381335480	BOLT	8						
81	36381335490	BOLT	2						
82	36381155850	NUT	2		M8X1.25				
83	36381335500	RING,RETAINING	1						
88	36381335520	BEARING,ROLLER	1						
89	36381335510	RETAINER	2						
90	36381375120	SEAL,OIL	1						
91	36381375130	FLANGE ASSY	1						
92	36381335530	NUT	1						
93	36381335540	BEARING,TAPER ROLLER	1						
97	36381335550	SPACER	N						
98	36381335560	SHIM (PINION)	N						
99	36381335570	BEARING,TAPER ROLLER	1						
101	36381335580	NUT (ADJUST)	1						
102	36381335590	BEARING,TAPER ROLLER	1						
105	36381335600	BOLT	4						
106	36381475030	GEAR,SIDE	2						
107	36381475040	SPRING	2						
108	36381475050	CLUTCH,DRIVEN	2						
109	36381475100	SPIDER ASSY	1						
110	36381335610	BOLT (RING GEAR)	16						
111	36381475060	RING	2						
113	36381335620	BOLT	4		M8X16				
114	36381335630	PLATE (LOCK)	2						
115	36381335640	BOLT (DIFF.CASE)	4						
116	36381335650	NUT	8						
117	36381335660	WASHER	4						
119	36381335670	O-RING	1						
134	36381335730	SHIM (PINION)	N						
135	36381335740	PLATE (LOCK)	2						
141	36381375160	CAGE,PINION	1						
142	36381335770	NUT (ADJUST)	1						
143	36381335780	BEARING,TAPER ROLLER	1						
144	36381335790	BOLT (DIFF.CASE)	4						
145	36381635430	HOUSING	2						
146	36381635440	RING,RETAINING	2						
151	36381335030	PLUG	4						
152	36381635020	BUSH,KING PIN	4						
153	36381335040	BUSH	2						
154	36381645020	HOUSING (AXLE)	1						
155	36381645030	BRACKET (LOCK A)	1						
156	36381375080	BOLT	2		M16X1.5X50				
157	36381645040	PIN (STRAIGHT)	2						
158	36381375070	BOLT	1		M16X1.5X147				
161	36381635060	HUB	2						
162	36381335110	PIN (WHEEL)	16						
171	36381635090	YOKE (AXLE SHAFT)	2						
172	36381156680	NIPPLE,GREASE	2						
173	36381635100	BEARING	8						
174	36381635110	RING,RETAINING	8						
175	36381635120	SPIDER ASSY	2						
176	36381635130	PLUG	8						
177	36381335220	COVER (DUST)	8						
178	36381335230	SPIDER	2						

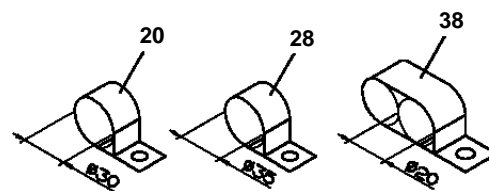
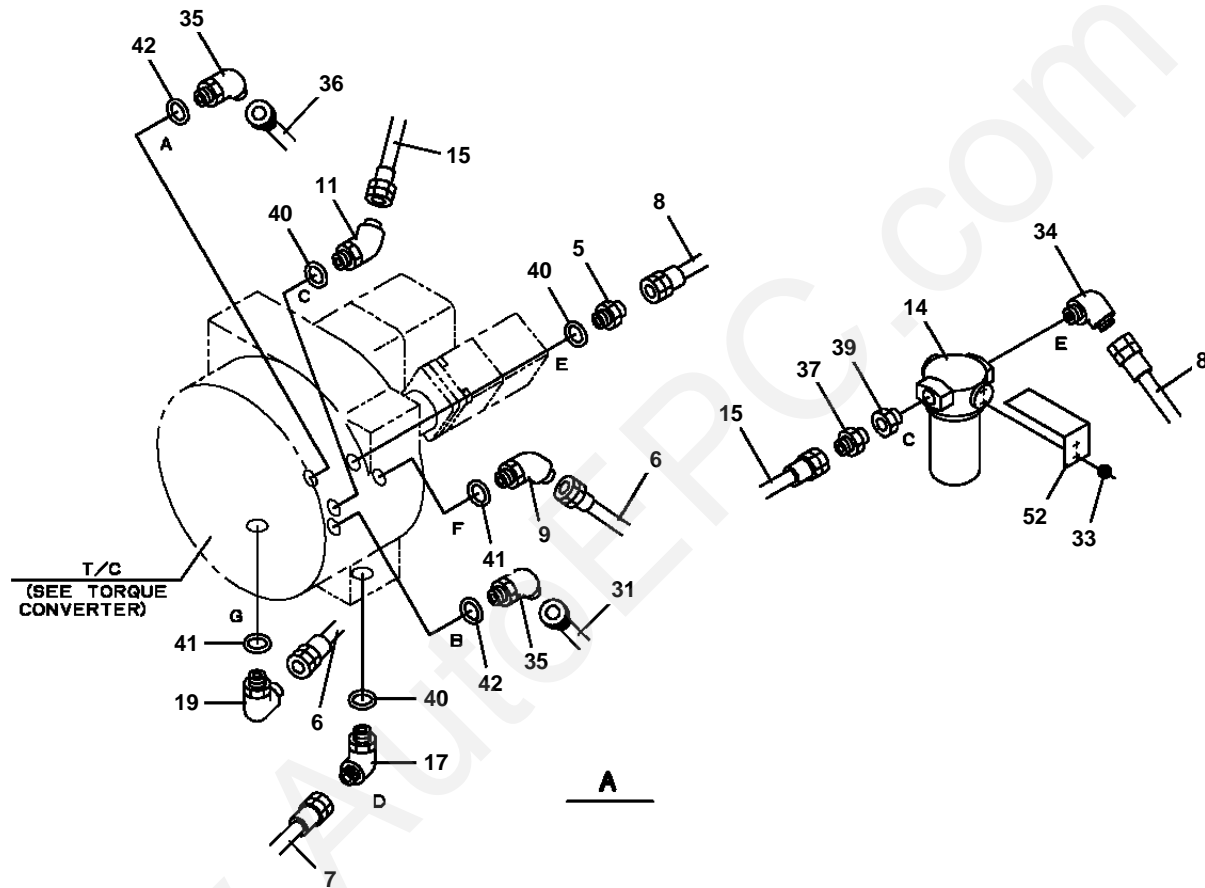
GR-120N-1-00111 12T,X,WINCH(W/O FREE-FALL),JIB(PT)

Pos No.	Parts No	Parts Name	Qty	Unit	Technical Data	Serial No (Start)	Serial No (End)	Remarks	Pages
179	36381635140	YOKE (AXLE SHAFT)	2						
194	36381635190	PISTON	8						
196	36381635210	SCREW (BLEEDER)	2						
197	36381635220	BODY (CALIPER INNER)	1						
199	36381635240	PROTECTOR (THREAD)	2						
200	36381635250	PIN,SNAP	4						
201	36381635260	BODY	2						
202	36381635270	PIN (PAD)	4						
203	36381635280	SEAL	4						
204	36381635290	WASHER,PLAIN	4						
205	36381635300	BOLT	4						
206	36381635310	WASHER,PLAIN	4						
207	36381635320	BOLT	4						
208	36381635340	BODY (CALIPER INNER)	1						
209	36381635451	SEAL KIT	2						
210	36381635420	PAD KIT	2						
211	36381375140	FLANGE	1						
212	36381375150	COVER (DUST)	1						
221	36381475090	DIFFERENTIAL ASSY (NO-SPIN)	1						
251	36381335870	PINION & GEAR ASSY	1						
300	36381650000	AXLE,DRIVING (REAR,NO-SPIN)	1						

GR-120N-1-00111 12T,X,WINCH(W/O FREE-FALL),JIB(P.T)
PR1700061-03 PIPING,CONVERTER



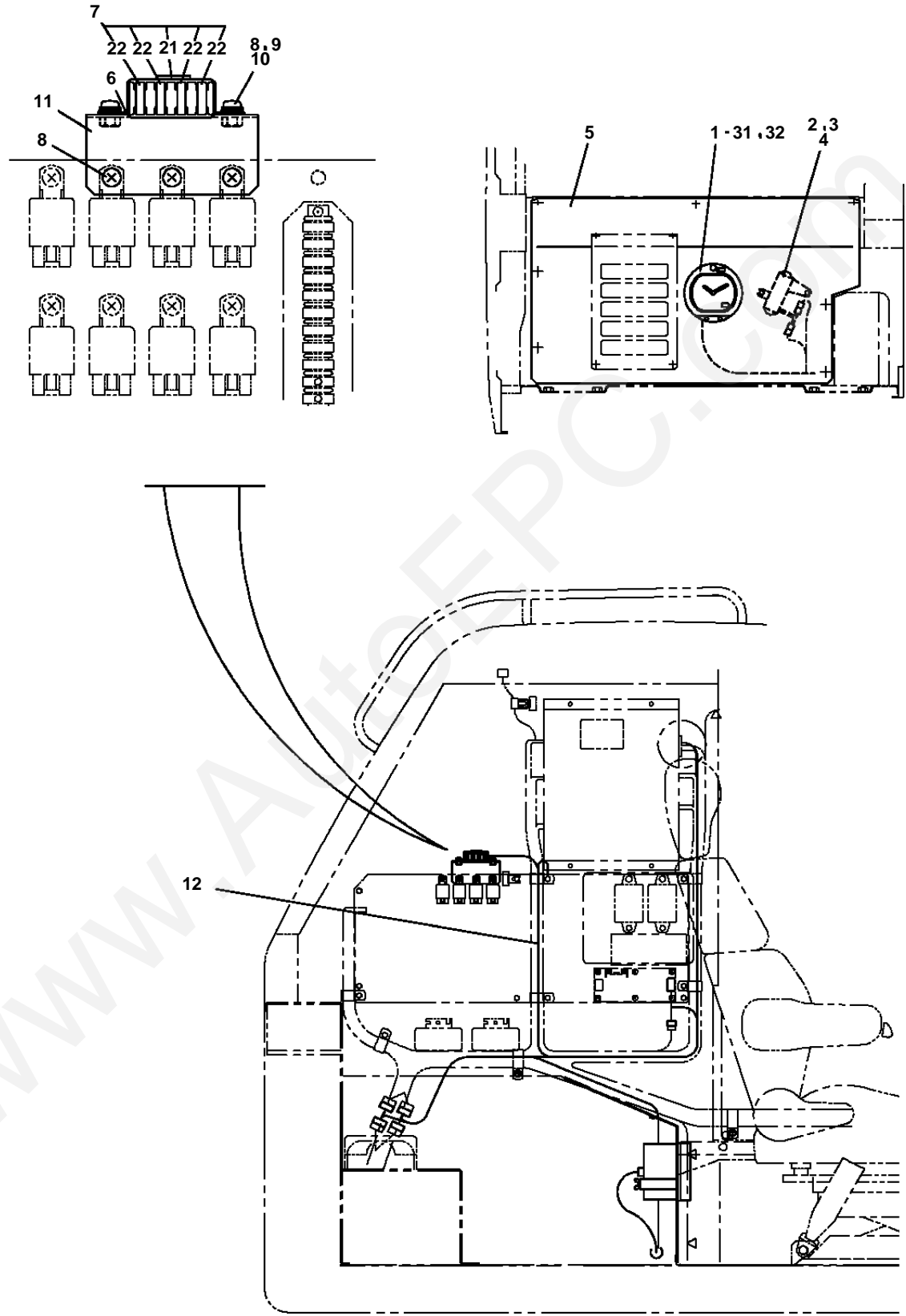
GR-120N-1-00111 12T,X,WINCH(W/O FREE-FALL),JIB(PT)
PR1700061-03 PIPING,CONVERTER



GR-120N-1-00111 12T,X,WINCH(W/O FREE-FALL),JIB(PT)

Pos No.	Parts No	Parts Name	Qty	Unit	Technical Data	Serial No (Start)	Serial No (End)	Remarks	Pages
1	34921000100	FITTING,FLANGE	1				FD0182		
	34921690100	FITTING,FLANGE	1			FD0183			
2	91067204000	O-RING	1		G40				
3	90186210030	BOLT,FLANGE	4		M10X30		FD0182		
	90186210040	BOLT,FLANGE	4		M10X40	FD0183			
5	80400160133	JOINT	3						
6	37002455610	HOSE	2		L=1220		FD0711		
	37002484940	HOSE	2		L=1220	FD0712			
7	37002445600	HOSE	1		L=1300		FD0711		
	37002484950	HOSE	1		L=1300	FD0712			
8	37002419360	HOSE	1		L=710		FD0711		
	37002484960	HOSE	1		L=710	FD0712			
9	80471020508	JOINT	1		45,G1-G1				
10	37002469940	HOSE	1		L=2300		FD0711		
	37002484970	HOSE	1		L=2300	FD0712			
11	80471020506	JOINT	2		45,G3/4-G3/4				
14	36671270000	FILTER,OIL (TORQUE CONVERTER)	1						000138
15	37002448740	HOSE	1		L=475		FD0711		
	37002484980	HOSE	1		L=475	FD0712			
17	80430621209	JOINT	1		L,G3/4-G3/4				
18	80400160131	JOINT	2						
19	80430621609	JOINT	1		L,G1-G1		FD0182		
	80430621609	JOINT	2		L,G1-G1	FD0183			
20	82100002017	CLAMP	4		WR30		FD0855		
	82100002016	CLAMP	5		WR25	FD0856			
21	90186208020	BOLT,FLANGE	4		M8X20		FD0855		
	90186208020	BOLT,FLANGE	5		M8X20	FD0856			
23	90280200800	NUT,FLANGE	7		M8				
24	34921330400	SUPPORT	1						
25	80400160135	JOINT	1						
28	82100002018	CLAMP	2		WR35				
29	34921330600	SUPPORT	1						
31	37002401300	HOSE	1		L=1120				
32	34921330500	SUPPORT	1				FD1255		
	34921330501	SUPPORT	1			FD1256			
33	90186210020	BOLT,FLANGE	2		M10X20				
34	37000916500	JOINT	1		L,R1-G3/4				
35	80471020504	JOINT	2		HL205-04		FD0464		
	80471104040	JOINT	2		HL205-04	FD0465			
36	37002401310	HOSE	1		L=1190				
37	80430411250	JOINT	1						
38	82100002042	CLAMP	1		WE20				
39	80315020200	JOINT,BUSHING	1						
40	91067102400	O-RING	6		P24				
41	91067102900	O-RING	3		P29		FD0182		
	91067102900	O-RING	4		P29	FD0183			
42	91067101800	O-RING	4		P18				
43	91810130250	FASTENER	7				FD0855		
	91810130250	FASTENER	6			FD0856			
51	90155308020	BOLT,WELD	3		M8X20				
52	34921330200	SUPPORT	1						
53	37000551430	PLATE	1						

GR-120N-1-00111 12T,X,WINCH(W/O FREE-FALL),JIB(PT)
PR1740064-01 SPEED METER SYSTEM (YAZAKI,SG18-100W)



GR-120N-1-00111 12T,X,WINCH(W/O FREE-FALL),JIB(PT)

Pos No.	Parts No	Parts Name	Qty	Unit	Technical Data	Serial No (Start)	Serial No (End)	Remarks	Pages
1	36683480000	TACHOGRAPH	1						
2	36683192000	CONVERTER	1						
3	80172305010	SCREW,MACHINE	2		M5X10				
4	90302040501	WASHER,SPRING	2		5				
5	34960890100	COVER	1						
6	42331093200	SUPPORT	1						
7	34960890600	BOX ASSY	1						
8	80182306014	SCREW,MACHINE	4		M6X14				
9	90302040601	WASHER,SPRING	2		6				
10	90303070601	WASHER,PLAIN	2		6				
11	34960890500	SUPPORT	1						
12	34960890700	HARNESS	1						
21	42432941110	BOX,FUSE	1						
22	82100001837	FUSE	4		5A				
31	36683485010	KEY	1						
32	36683485020	CHART SET (100KM/H,ONE WEEK)	1						

www.AutoEPC.com

GR-120N-1-00111 12T,X,WINCH(W/O FREE-FALL),JIB(PT)
PR1800015-00 TIRE (B.S)

10



GR-120N-1-00111 12T,X,WINCH(W/O FREE-FALL),JIB(PT)

Pos No.	Parts No	Parts Name	Qty	Unit	Technical Data	Serial No (Start)	Serial No (End)	Remarks	Pages
10	37003803640	TIRE (B.S)	1						

www.AutoEPC.com

GR-120N-1-00111 12T,X,WINCH(W/O FREE-FALL),JIB(PT)
PR1800015-00 TIRE (B.S)

10



GR-120N-1-00111 12T,X,WINCH(W/O FREE-FALL),JIB(PT)

Pos No.	Parts No	Parts Name	Qty	Unit	Technical Data	Serial No (Start)	Serial No (End)	Remarks	Pages
10	37003804230	TIRE (B.S)	1						

www.AutoEPC.com

GR-120N-1-00111 12T,X,WINCH(W/O FREE-FALL),JIB(PT)
PR1800016-00 TIRE (DUNLOP)

10



GR-120N-1-00111 12T,X,WINCH(W/O FREE-FALL),JIB(PT)

Pos No.	Parts No	Parts Name	Qty	Unit	Technical Data	Serial No (Start)	Serial No (End)	Remarks	Pages
10	37003804040	TIRE (DUNLOP)	1						

www.AutoEPC.com

GR-120N-1-00111 12T,X,WINCH(W/O FREE-FALL),JIB(P
PR1800016-00 TIRE (DUNLOP)

10



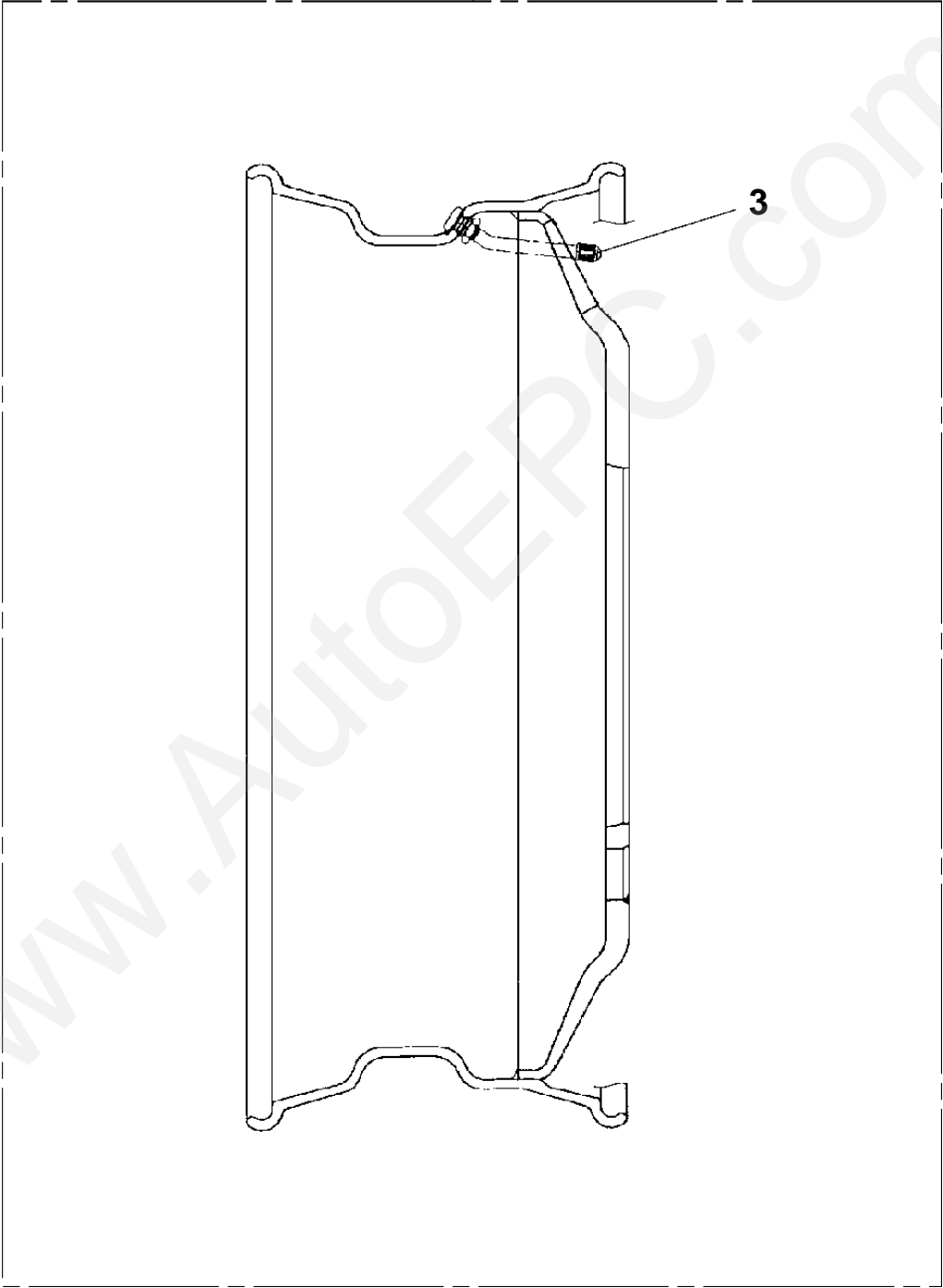
GR-120N-1-00111 12T,X,WINCH(W/O FREE-FALL),JIB(PT)

Pos No.	Parts No	Parts Name	Qty	Unit	Technical Data	Serial No (Start)	Serial No (End)	Remarks	Pages
10	37003804380	TIRE (DUNLOP)	1						

www.AutoEPC.com

GR-120N-1-00111 12T,X,WINCH(W/O FREE-FALL),JIB(P
PR1820012-00 WHEEL,TIRE (TOPY WITH VALVE,AIR)

50

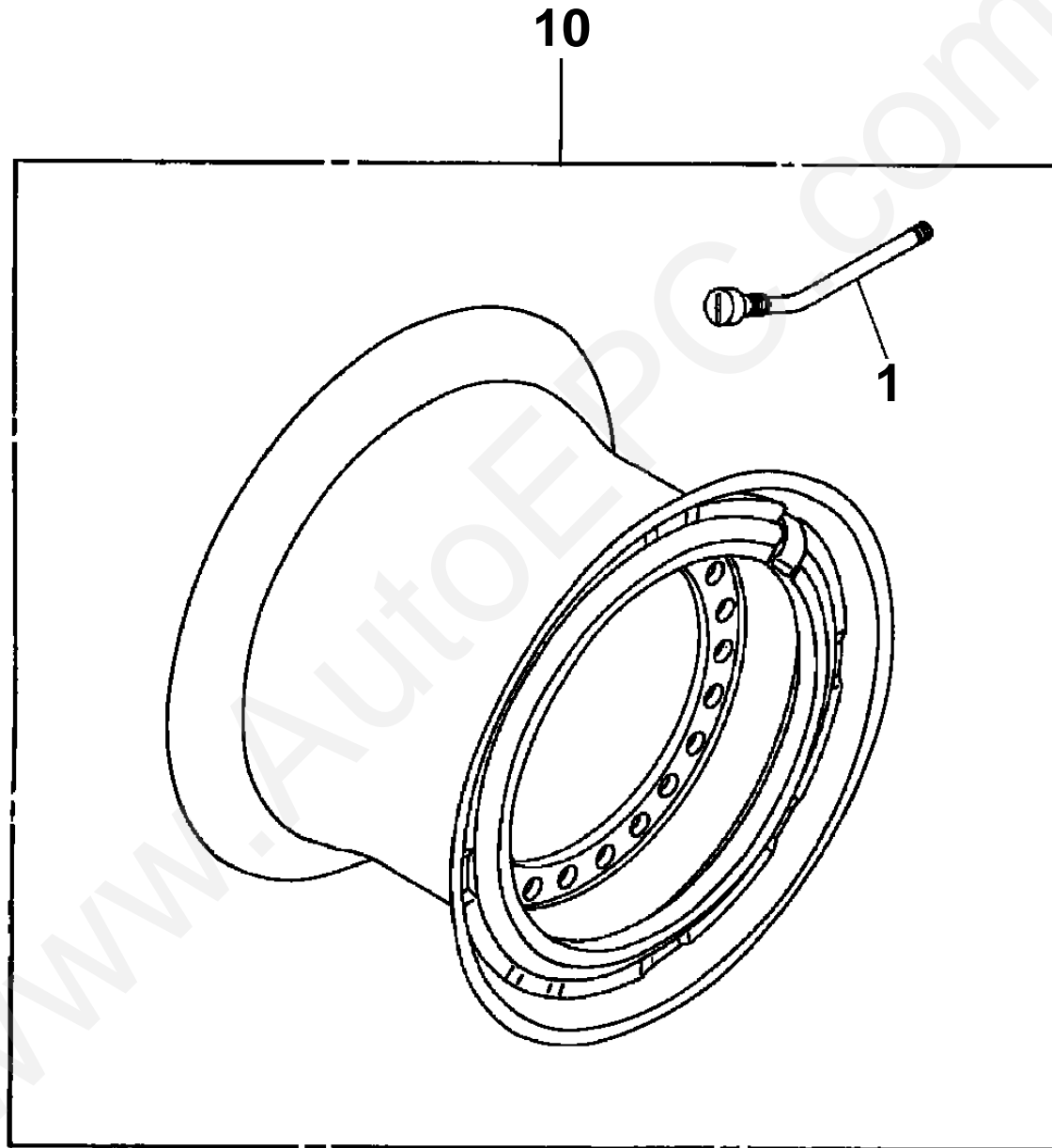


GR-120N-1-00111 12T,X,WINCH(W/O FREE-FALL),JIB(PT)

Pos No.	Parts No	Parts Name	Qty	Unit	Technical Data	Serial No (Start)	Serial No (End)	Remarks	Pages
3	37003999010	VALVE,AIR	1						
50	37003901240	WHEEL,TIRE (TOPY WITH VALVE,AIR)	1						

www.AutoEPC.com

GR-120N-1-00111 12T,X,WINCH(W/O FREE-FALL),JIB(P
PR1820018-00 WHEEL,TIRE (MINEBEA,WITH VALVE)

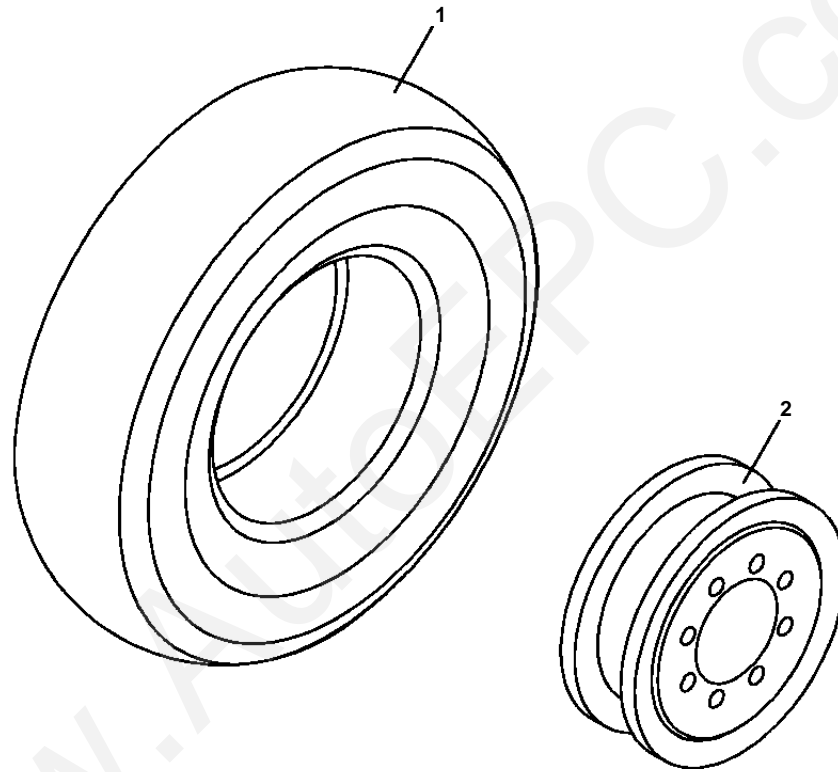


GR-120N-1-00111 12T,X,WINCH(W/O FREE-FALL),JIB(PT)

Pos No.	Parts No	Parts Name	Qty	Unit	Technical Data	Serial No (Start)	Serial No (End)	Remarks	Pages
1	37003999010	VALVE,AIR	1						
10	37003900930	WHEEL,TIRE (MINEBEA,WITH VALVE)	1						

www.AutoEPC.com

GR-120N-1-00111 12T,X,WINCH(W/O FREE-FALL),JIB(PT)
PR2150016-00 TIRE & WHEEL (275/80:BS.+MINEBE)

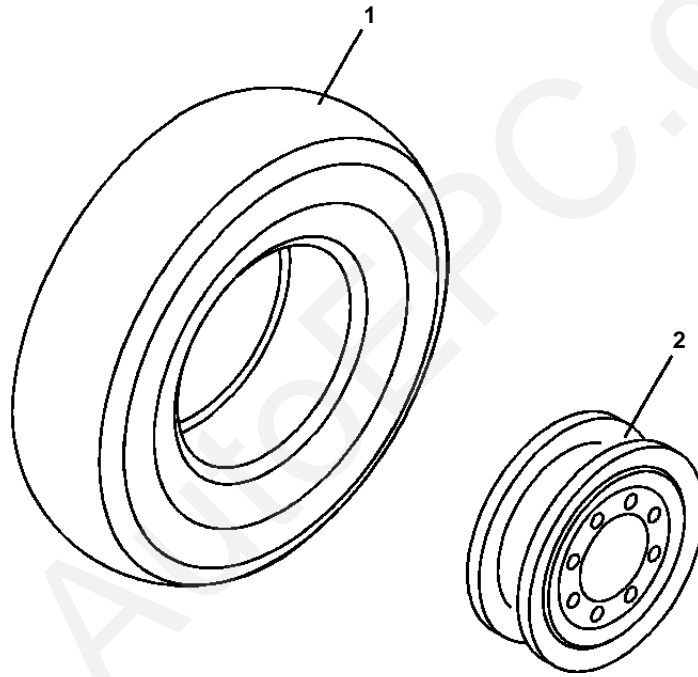


GR-120N-1-00111 12T,X,WINCH(W/O FREE-FALL),JIB(PT)

Pos No.	Parts No	Parts Name	Qty	Unit	Technical Data	Serial No (Start)	Serial No (End)	Remarks	Pages
1	37003803640	TIRE (B.S)	1						000260
2	37003900930	WHEEL,TIRE (MINEBEA,WITH VALVE)	1						000265

www.AutoEPC.com

GR-120N-1-00111 12T,X,WINCH(W/O FREE-FALL),JIB(PT)
PR2150017-00 TIRE & WHEEL (275/80:BS.+TOPY,M810)

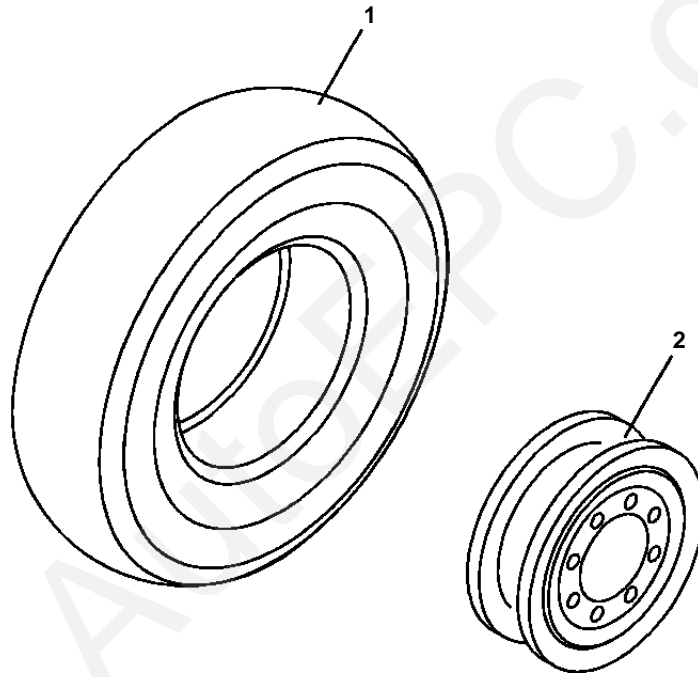


GR-120N-1-00111 12T,X,WINCH(W/O FREE-FALL),JIB(PT)

Pos No.	Parts No	Parts Name	Qty	Unit	Technical Data	Serial No (Start)	Serial No (End)	Remarks	Pages
1	37003803640	TIRE (B.S)	1				FD0943		000260
	37003804230	TIRE (B.S)	1			FD0944			000261
2	37003901240	WHEEL,TIRE (TOPY WITH VALVE,AIR)	1						000264

www.AutoEPC.com

GR-120N-1-00111 12T,X,WINCH(W/O FREE-FALL),JIB(PT)
PR2150018-00 TIRE & WHEEL (275/80:DUNLOP+TOPY)

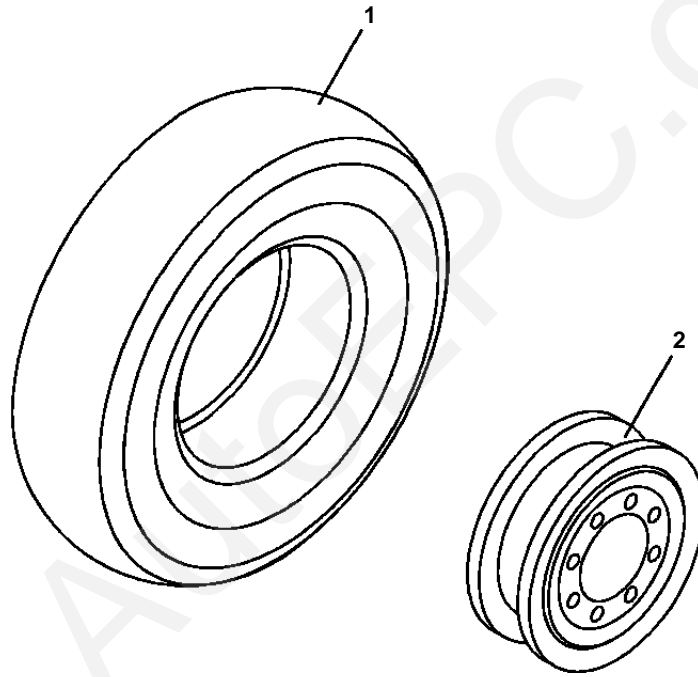


GR-120N-1-00111 12T,X,WINCH(W/O FREE-FALL),JIB(PT)

Pos No.	Parts No	Parts Name	Qty	Unit	Technical Data	Serial No (Start)	Serial No (End)	Remarks	Pages
1	37003804040	TIRE (DUNLOP)	1				FD0943		000262
	37003804380	TIRE (DUNLOP)	1			FD0944			000263
2	37003901240	WHEEL,TIRE (TOPY WITH VALVE,AIR)	1						000264

www.AutoEPC.com

GR-120N-1-00111 12T,X,WINCH(W/O FREE-FALL),JIB(PT)
PR2150053-00 TIRE & WHEEL (275/80:BS.+TOPY,W990A)

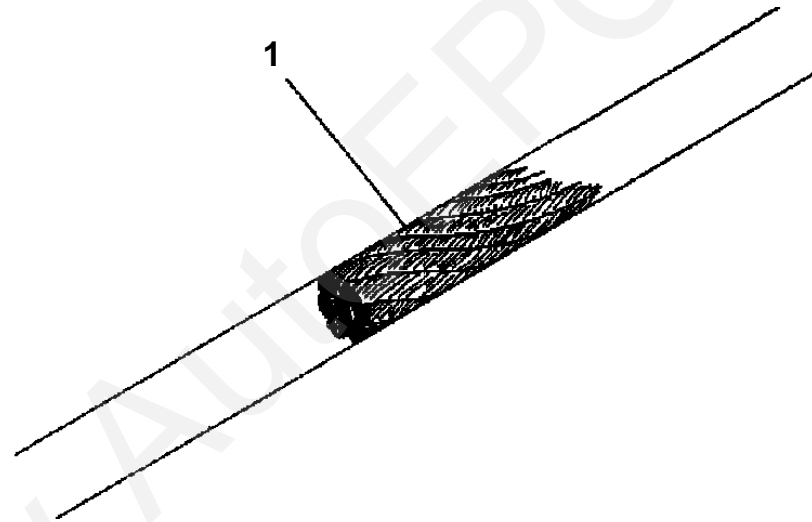


GR-120N-1-00111 12T,X,WINCH(W/O FREE-FALL),JIB(PT)

Pos No.	Parts No	Parts Name	Qty	Unit	Technical Data	Serial No (Start)	Serial No (End)	Remarks	Pages
1	37003805360	TIRE (SNOW,B.S.,W900Z)	1						
2	37003901240	WHEEL,TIRE (TOPY WITH VALVE,AIR)	1						000264

www.AutoEPC.com

GR-120N-1-00111 12T,X,WINCH(W/O FREE-FALL),JIB(P
PR5170001-00 ROPE,WIRE (TESAC)



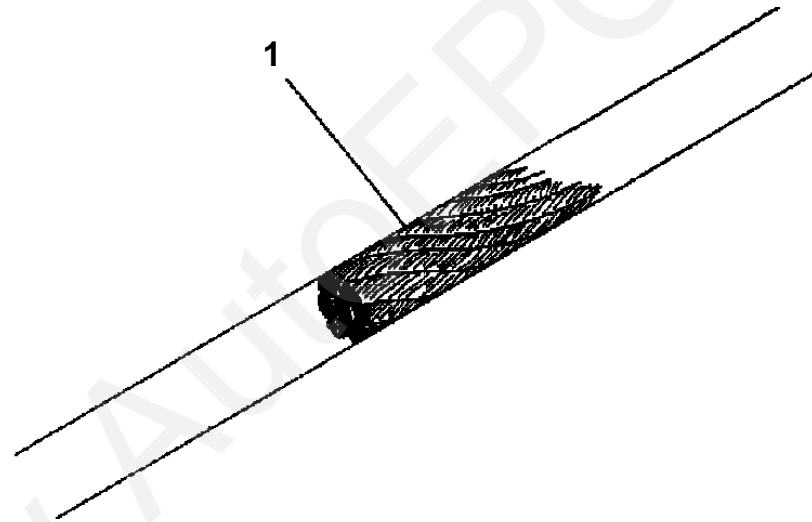
www.AutoEPC.com

GR-120N-1-00111 12T,X,WINCH(W/O FREE-FALL),JIB(PT)

Pos No.	Parts No	Parts Name	Qty	Unit	Technical Data	Serial No (Start)	Serial No (End)	Remarks	Pages
1	37001800160	ROPE,WIRE (TESAC)	1						

www.AutoEPC.com

GR-120N-1-00111 12T,X,WINCH(W/O FREE-FALL),JIB(P
PR5170001-00 ROPE,WIRE (TESAC)

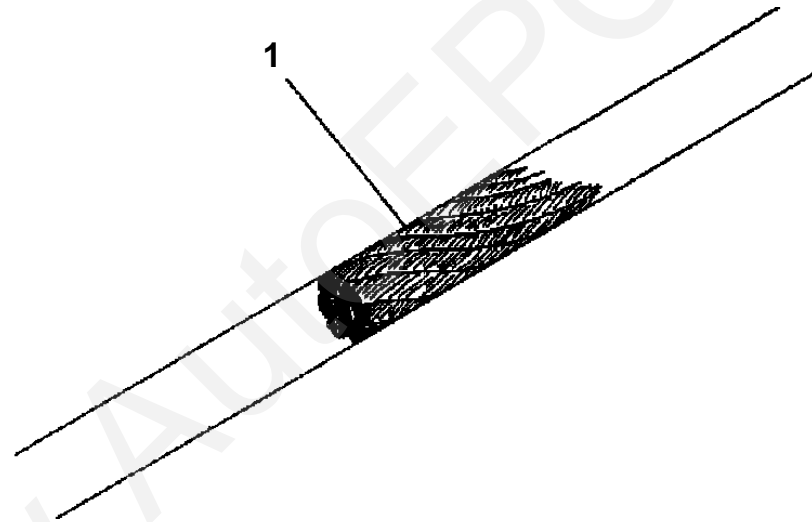


GR-120N-1-00111 12T,X,WINCH(W/O FREE-FALL),JIB(PT)

Pos No.	Parts No	Parts Name	Qty	Unit	Technical Data	Serial No (Start)	Serial No (End)	Remarks	Pages
1	37001806300	ROPE,WIRE (TESAC)	1						

www.AutoEPC.com

GR-120N-1-00111 12T,X,WINCH(W/O FREE-FALL),JIB(PT)
PR5170002-00 ROPE,WIRE (KISWIRE)

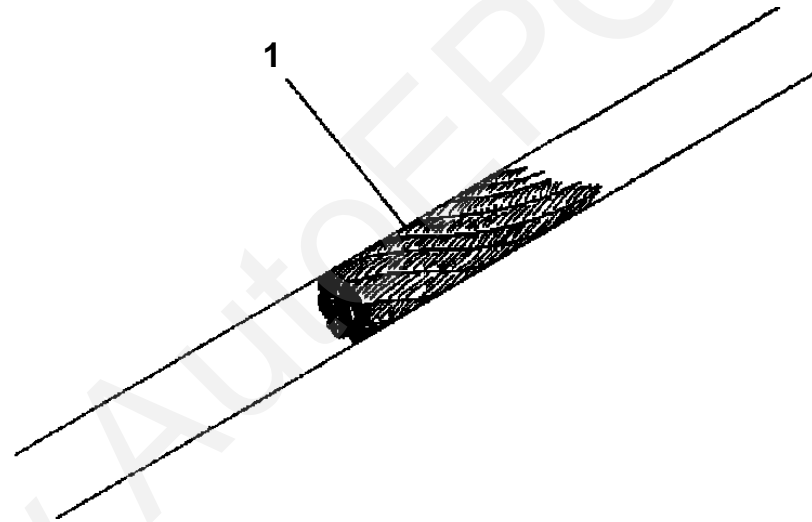


GR-120N-1-00111 12T,X,WINCH(W/O FREE-FALL),JIB(PT)

Pos No.	Parts No	Parts Name	Qty	Unit	Technical Data	Serial No (Start)	Serial No (End)	Remarks	Pages
1	37001806310	ROPE,WIRE (KISWIRE)	1						

www.AutoEPC.com

GR-120N-1-00111 12T,X,WINCH(W/O FREE-FALL),JIB(P
PR5170002-00 ROPE,WIRE (KISWIRE)

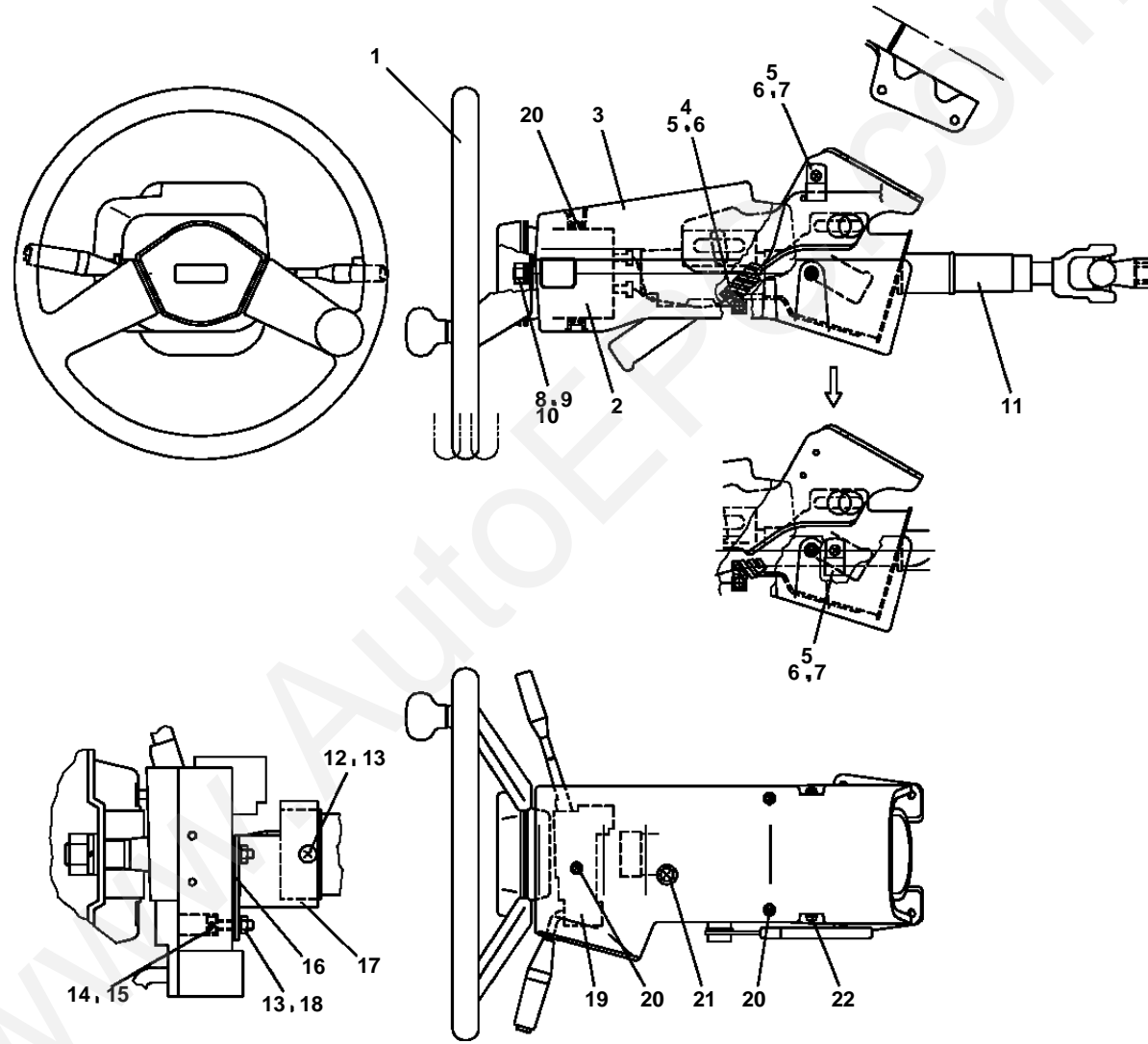


GR-120N-1-00111 12T,X,WINCH(W/O FREE-FALL),JIB(PT)

Pos No.	Parts No	Parts Name	Qty	Unit	Technical Data	Serial No (Start)	Serial No (End)	Remarks	Pages
1	37001806830	ROPE,WIRE (KISWIRE)	1						

www.AutoEPC.com

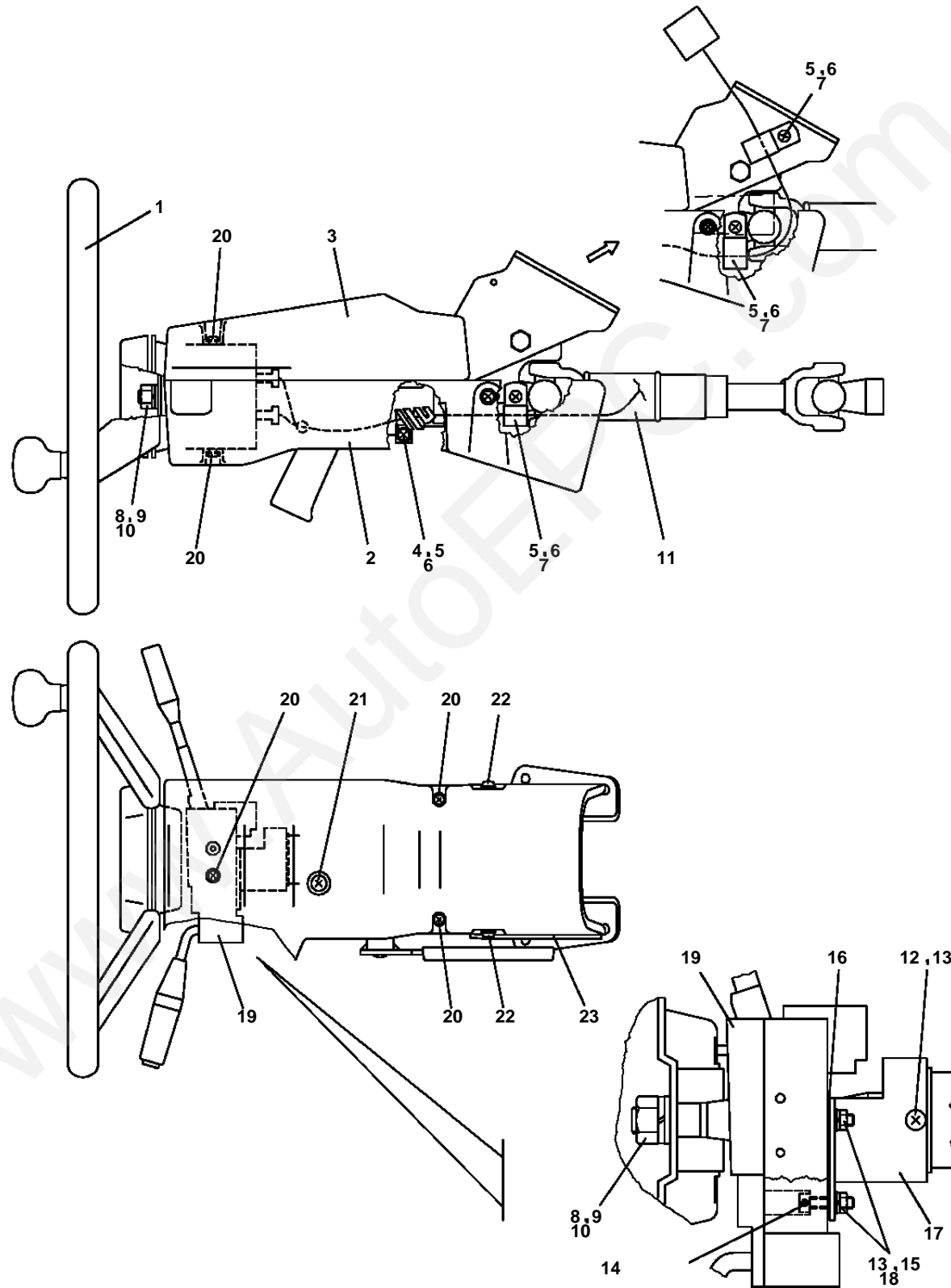
GR-120N-1-00111 12T,X,WINCH(W/O FREE-FALL),JIB(P
PS1010025-03 OPE.ASSY,STEERING (WHEEL)



GR-120N-1-00111 12T,X,WINCH(W/O FREE-FALL),JIB(PT)

Pos No.	Parts No	Parts Name	Qty	Unit	Technical Data	Serial No (Start)	Serial No (End)	Remarks	Pages
1	34720911100	WHEEL,STEERING	1						000276
2	34721252100	COVER	1						
3	34721222200	COVER	1						
4	82100002051	CLAMP	1		WS-A55				
5	80182306010	SCREW,MACHINE	2		M6X10				
6	90302040601	WASHER,SPRING	2		6				
7	82100002010	CLAMP	1		WR15				
8	90209201200	NUT	1		M12				
9	90302041201	WASHER,SPRING	1		12				
10	90303071201	WASHER,PLAIN	1		12				
11	34721182300	SHAFT,STEERING	1						000278
12	80172305010	SCREW,MACHINE	3		M5X10				
13	90302040501	WASHER,SPRING	7		5				
14	90131505020	BOLT,HEXAGON SOCKET	4		M5X20				
15	90303070501	WASHER,PLAIN	4		5				
16	34720912600	SHIM	1						
17	34721182400	ADAPTER	1						
18	90201200500	NUT	4		M5				
19	34720911200	SWITCH ASSY (COMBINATION)	1						
20	90982050145	SCREW,TAPPING	4						
21	80192488016	SCREW,MACHINE	1		M8X16				
22	80192486014	SCREW,MACHINE (WITH WASHER)	2		M6X14				

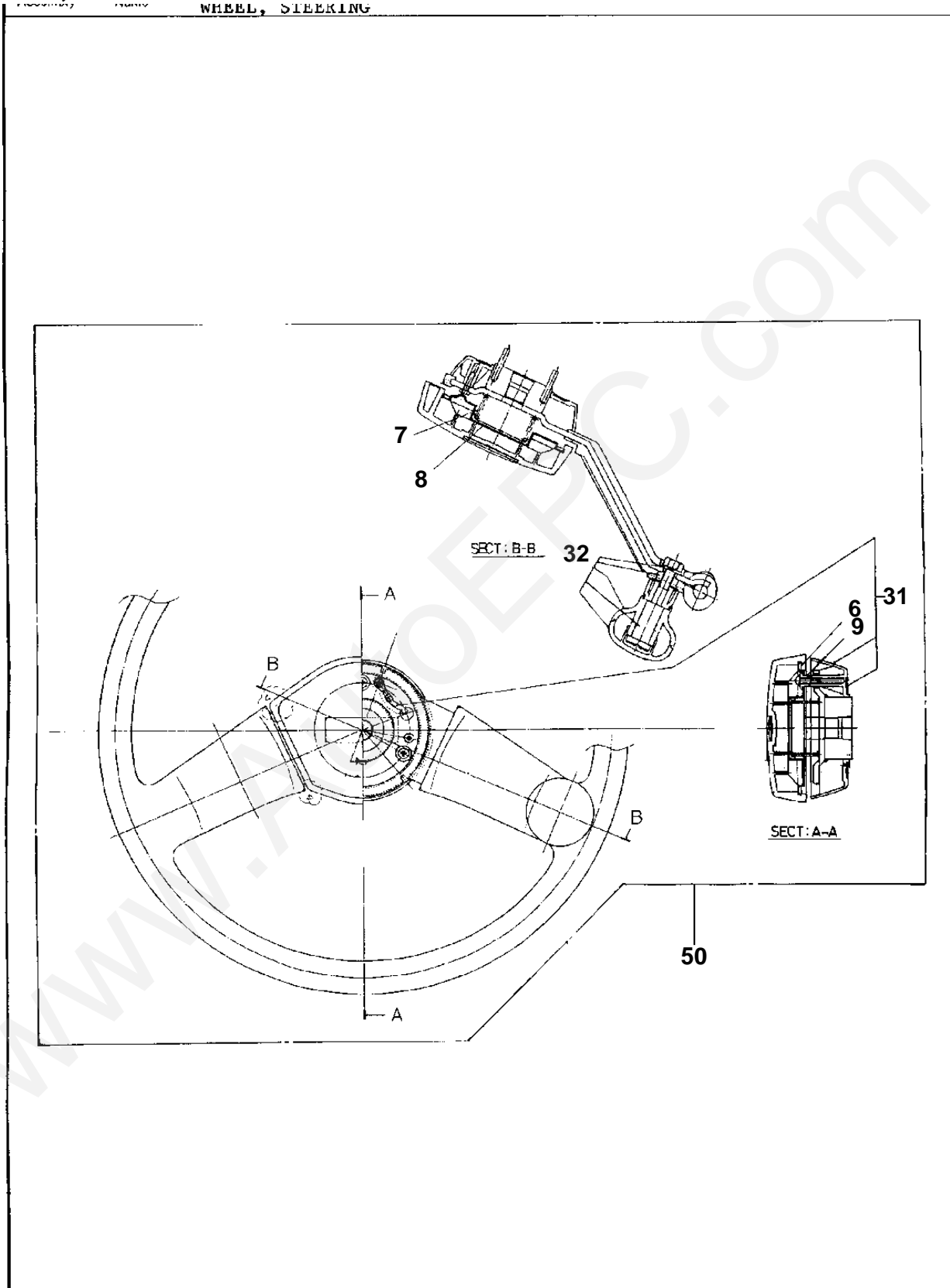
GR-120N-1-00111 12T,X,WINCH(W/O FREE-FALL),JIB(P
PS1010045-02 OPE.ASSY,STEERING (WHEEL)



GR-120N-1-00111 12T,X,WINCH(W/O FREE-FALL),JIB(PT)

Pos No.	Parts No	Parts Name	Qty	Unit	Technical Data	Serial No (Start)	Serial No (End)	Remarks	Pages
1	34720911100	WHEEL,STEERING	1				FD1167		000276
	34721421100	WHEEL,STEERING	1			FD1168			000277
2	34721722100	COVER	1						
3	34721422200	COVER	1						
4	82100002051	CLAMP	1		WS-A55				
5	80182306010	SCREW,MACHINE	2		M6X10		FD0730		
	80182306010	SCREW,MACHINE	3		M6X10	FD0731			
6	90302040601	WASHER,SPRING	2		6		FD0730		
	90302040601	WASHER,SPRING	3		6	FD0731			
7	82100002010	CLAMP	1		WR15		FD0730		
	82100002039	CLAMP	2			FD0731			
8	90209201200	NUT	1		M12				
9	90302041201	WASHER,SPRING	1		12				
10	90303071201	WASHER,PLAIN	1		12				
11	34721722300	SHAFT,STEERING	1				FD1167		000279
	34721422300	SHAFT,STEERING	1			FD1168			000280
12	80172305010	SCREW,MACHINE	3		M5X10				
13	90302040501	WASHER,SPRING	7		5				
14	90131505020	BOLT,HEXAGON SOCKET	4		M5X20				
15	90303070501	WASHER,PLAIN	4		5				
16	34720912600	SHIM	1						
17	34721182400	ADAPTER	1						
18	90201200500	NUT	4		M5				
19	34720911200	SWITCH ASSY (COMBINATION)	1						
20	90982050145	SCREW,TAPPING	4						
21	80192488016	SCREW,MACHINE	1		M8X16				
22	80192486014	SCREW,MACHINE (WITH WASHER)	2		M6X14				
23	82420503212	TRIM	1	M					

GR-120N-1-00111 12T,X,WINCH(W/O FREE-FALL),JIB(P
PS1020001-02 WHEEL,STEERING

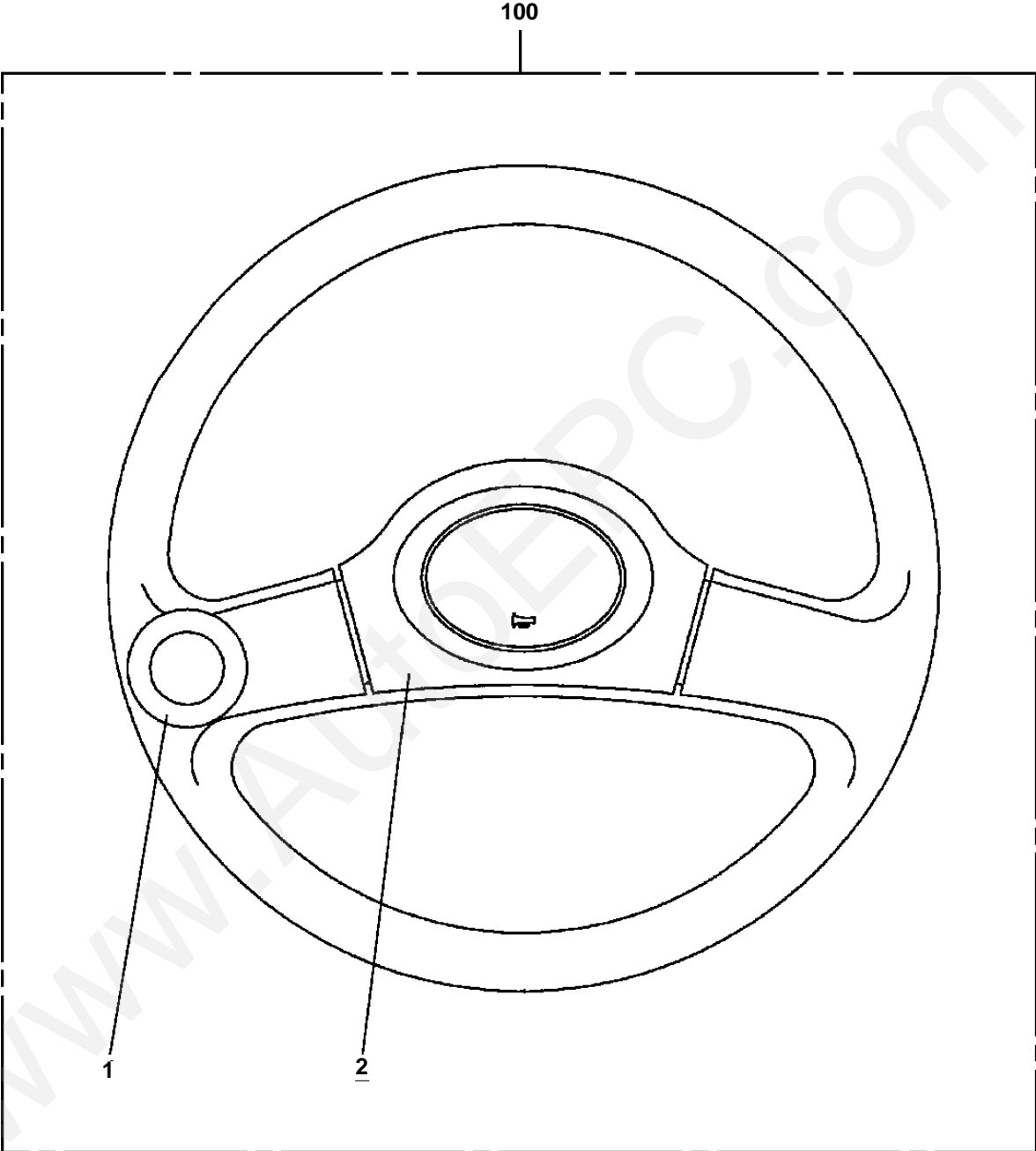


GR-120N-1-00111 12T,X,WINCH(W/O FREE-FALL),JIB(PT)

Pos No.	Parts No	Parts Name	Qty	Unit	Technical Data	Serial No (Start)	Serial No (End)	Remarks	Pages
6	34720917590	CUP	1						
7	34720917600	SPRING	1						
8	34720917610	INSULATOR	1						
9	34720917620	SPACER	3						
31	34720917630	COVER ASSY	1						
32	34720917510	KNOB ASSY	1						
50	34720911100	WHEEL,STEERING	1						

www.AutoEPC.com

GR-120N-1-00111 12T,X,WINCH(W/O FREE-FALL),JIB(P
PS1020007-00 WHEEL,STEERING

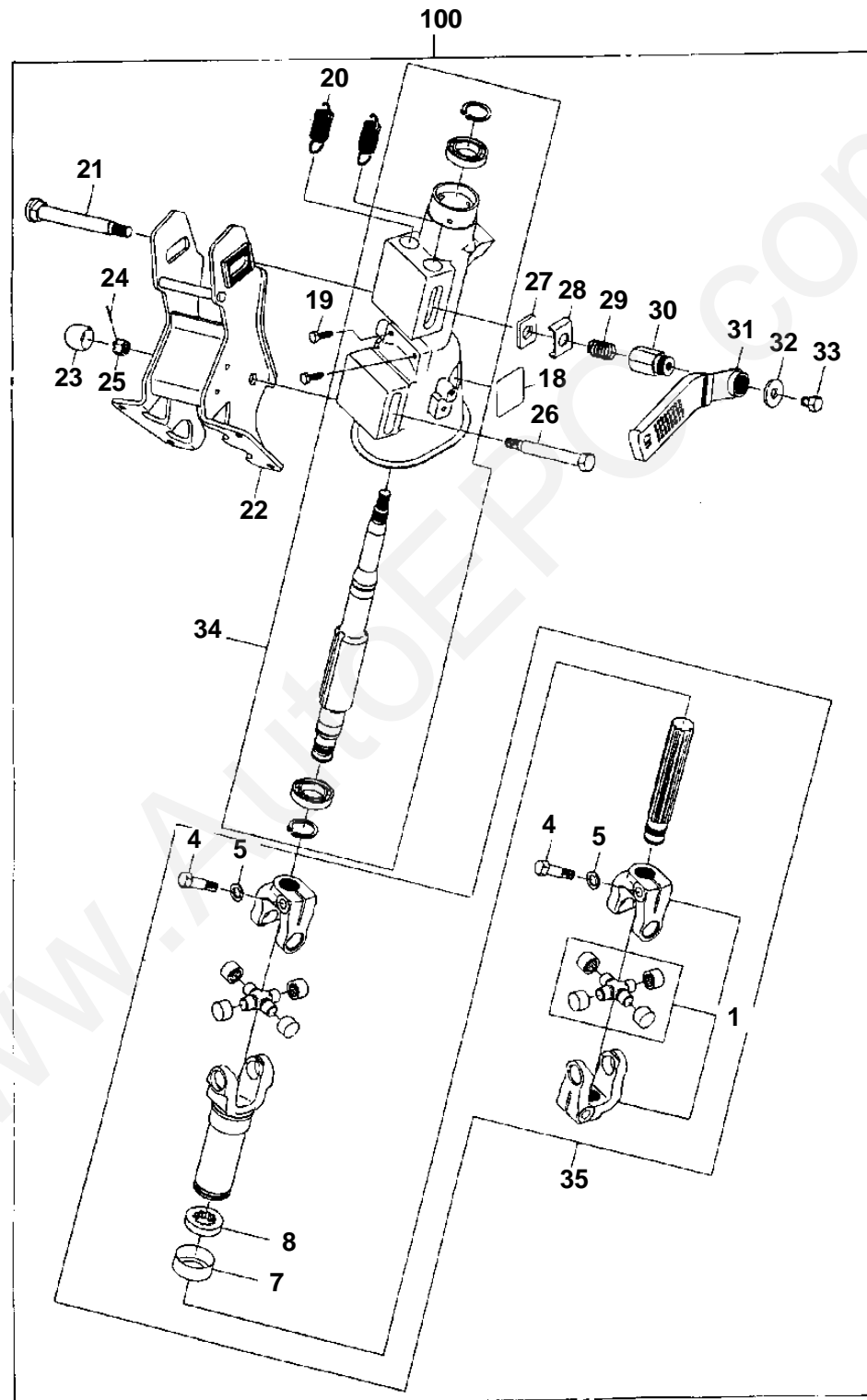


GR-120N-1-00111 12T,X,WINCH(W/O FREE-FALL),JIB(PT)

Pos No.	Parts No	Parts Name	Qty	Unit	Technical Data	Serial No (Start)	Serial No (End)	Remarks	Pages
1	34721427530	KNOB (HANDLE)	1						
2	34721427540	CAP (HORN)	1						
100	34721421100	WHEEL,STEERING	1						

www.AutoEPC.com

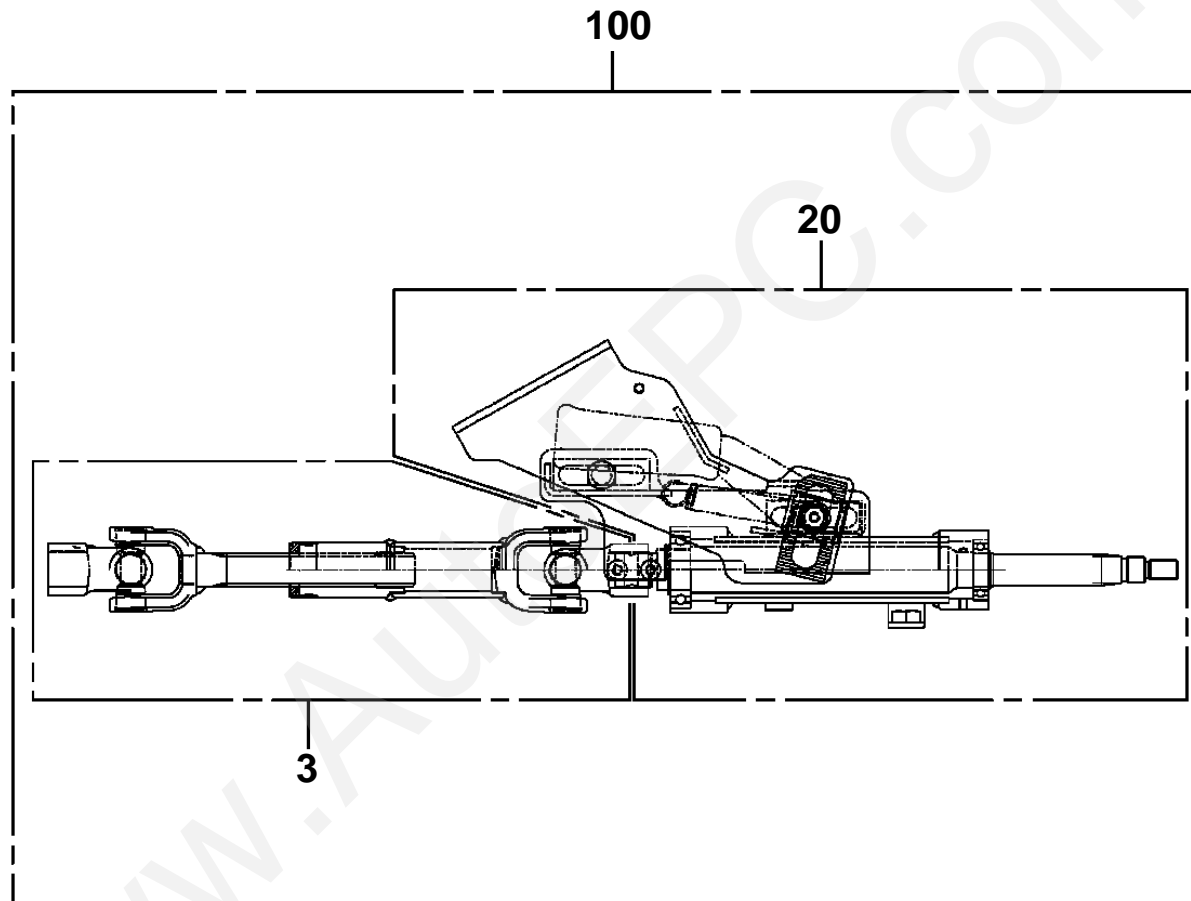
GR-120N-1-00111 12T,X,WINCH(W/O FREE-FALL),JIB(P
PS1150001-00 SHAFT,STEERING



GR-120N-1-00111 12T,X,WINCH(W/O FREE-FALL),JIB(PT)

Pos No.	Parts No	Parts Name	Qty	Unit	Technical Data	Serial No (Start)	Serial No (End)	Remarks	Pages
1	34721187520	YOKE ASSY (SPLINE)	1						
4	34721187530	BOLT	2						
5	34721187540	WASHER,SPRING	2						
7	34721187550	RETAINER	1						
8	34721187560	RING,FELT	1						
18	34721187580	SEAL	1						
19	34721187590	BOLT	2						
20	34721187600	SPRING (BALANCE)	2						
21	34721187610	BOLT	1						
22	34721187620	BRACKET	1						
23	34721187630	NUT,CAP	1						
24	34721187640	PIN,SPLIT	1						
25	34721187650	NUT	1						
26	34721187660	BOLT	1						
27	34721187670	PLATE	1						
28	34721187680	PLATE (GUIDE)	1						
29	34721187690	SPRING	1						
30	34721187700	NUT	1						
31	34721187710	LEVER	1						
32	34721187720	WASHER,PLAIN	1						
33	34721187730	BOLT	1						
34	34721187570	SHAFT,STEERING (UPPER)	1						
35	34721187510	SHAFT,STEERING (LOWER)	1						
100	34721182300	SHAFT,STEERING	1						

GR-120N-1-00111 12T,X,WINCH(W/O FREE-FALL),JIB(P.T)
PS1150004-01 SHAFT,STEERING

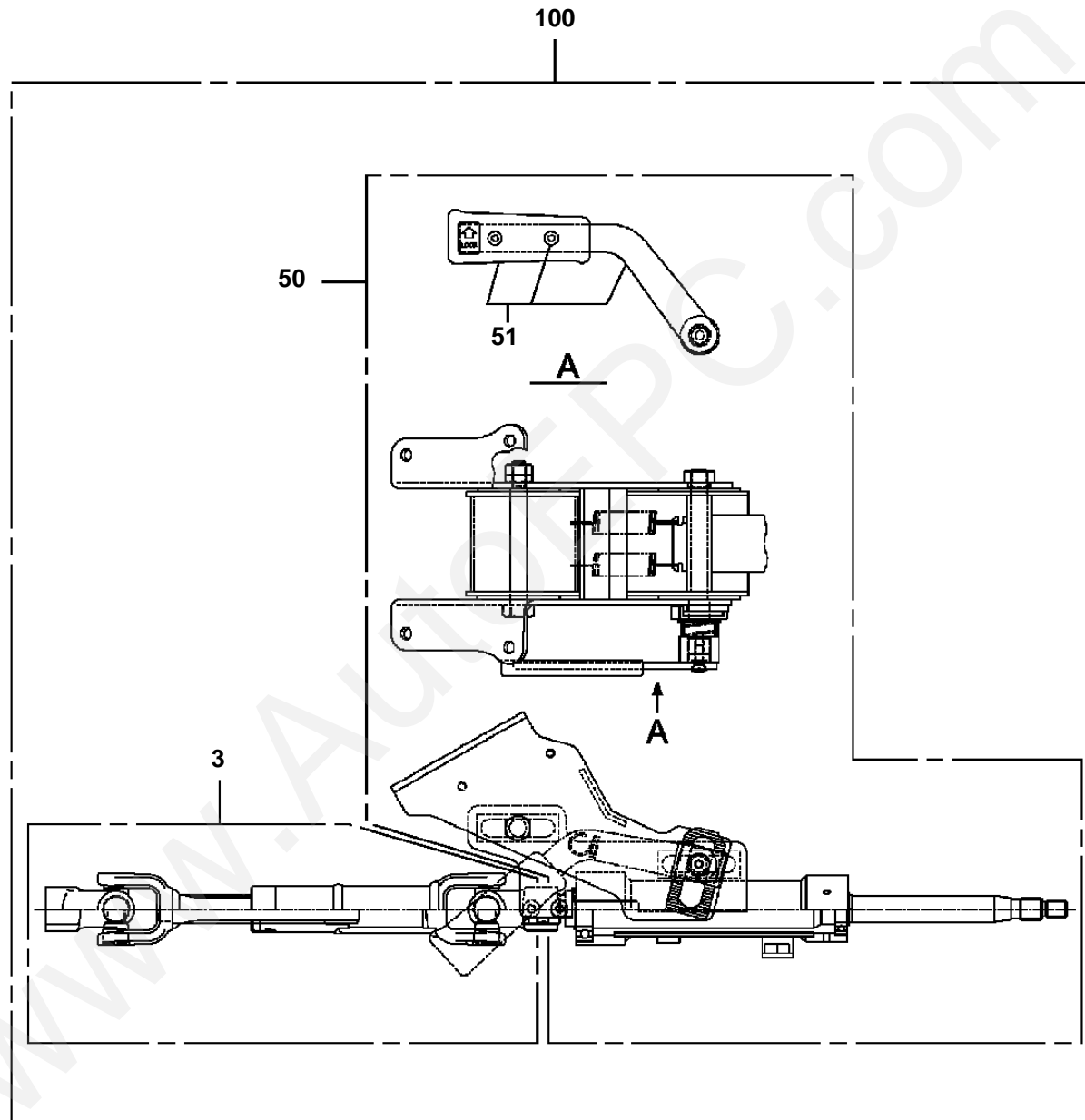


GR-120N-1-00111 12T,X,WINCH(W/O FREE-FALL),JIB(PT)

Pos No.	Parts No	Parts Name	Qty	Unit	Technical Data	Serial No (Start)	Serial No (End)	Remarks	Pages
3	34721727530	SHAFT ASSY	1						
20	34721727540	COLUMN ASSY (WITH BRACKET)	1						
100	34721722300	SHAFT,STEERING	1						

www.AutoEPC.com

GR-120N-1-00111 12T,X,WINCH(W/O FREE-FALL),JIB(P
PS1150007-00 SHAFT,STEERING

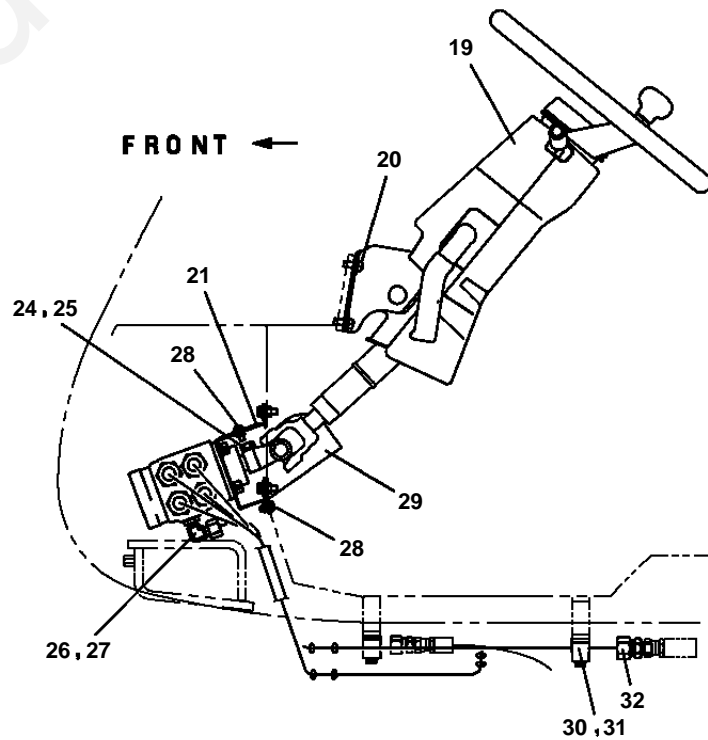
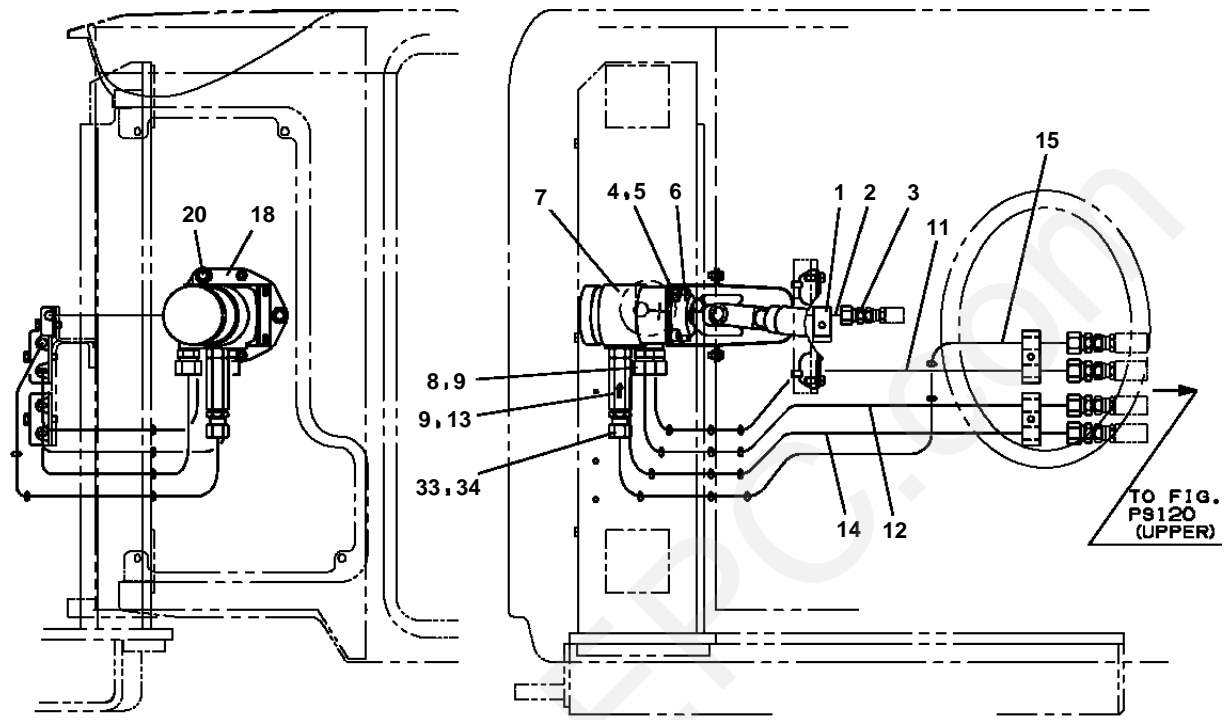


GR-120N-1-00111 12T,X,WINCH(W/O FREE-FALL),JIB(PT)

Pos No.	Parts No	Parts Name	Qty	Unit	Technical Data	Serial No (Start)	Serial No (End)	Remarks	Pages
3	34721727530	SHAFT ASSY	1						
50	34721427510	COLUMN ASSY (WITH BRACKET)	1						
51	34721427520	LEVER ASSY	1						
100	34721422300	SHAFT,STEERING	1						

www.AutoEPC.com

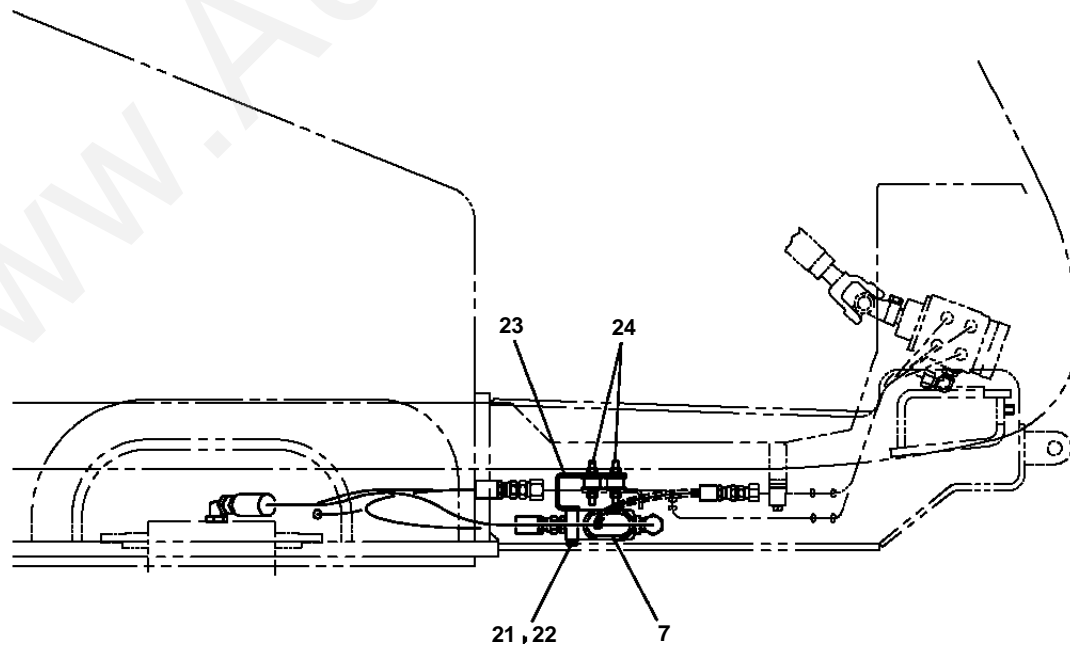
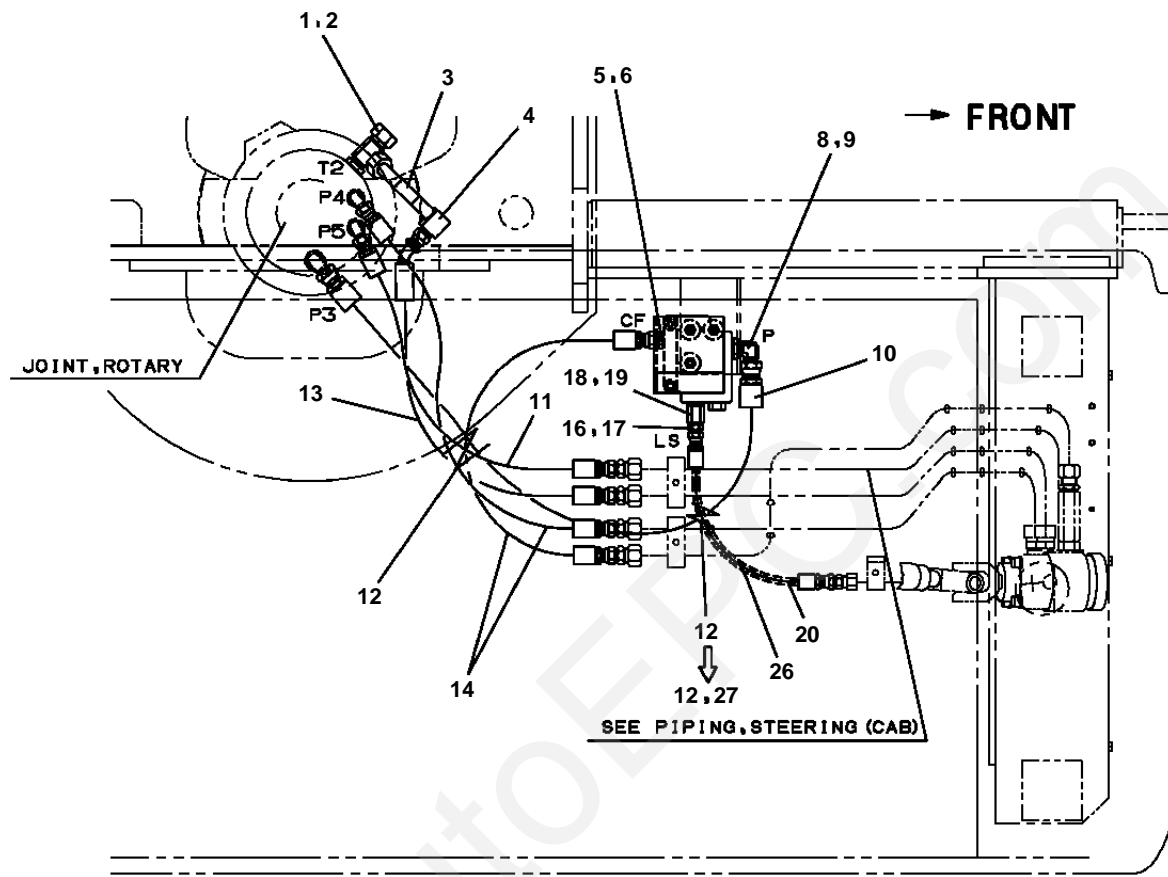
GR-120N-1-00111 12T,X,WINCH(W/O FREE-FALL),JIB(P.T)
PS1200132-00 PIPING,STEERING (CAB)



GR-120N-1-00111 12T,X,WINCH(W/O FREE-FALL),JIB(PT)

Pos No.	Parts No	Parts Name	Qty	Unit	Technical Data	Serial No (Start)	Serial No (End)	Remarks	Pages
1	37000711000	CLAMP ASSY	1		12-1				
2	81408000160	PIPE,STEEL	1	M	12X1.4T				
3	80320010075	FITTING	1		KUD12-020N				
4	99135538025	BOLT,HEXAGON SOCKET (3/8-16UNCX25)	4						
5	90302040042	WASHER,SPRING (W3/8)	4						
6	34720221300	ADAPTER	1						
7	36636020000	ORBITROL	1						000284
8	80302191508	FITTING	3		KCU15-080N				
9	91000590800	O-RING	4		AS568-908				
11	81408000210	PIPE,STEEL	1	M	15X2.0T				
12	81408000210	PIPE,STEEL	1	M	15X2.0T				
13	36625200000	VALVE,CHECK	1						000130
14	81408000210	PIPE,STEEL	1	M	15X2.0T				
15	81408000210	PIPE,STEEL	2	M	15X2.0T				
18	34721221100	SUPPORT	1						
19	(*****)	OPE.ASSY,STEERING (WHEEL)	1				FD0315		000274
	(*****)	OPE.ASSY,STEERING (WHEEL)	1			FD0316			000275
20	99172108020	BOLT,TAPPING	7		M8X20				
21	37000560260	PLATE	1						
24	90103510035	BOLT	1		M10X35				
25	90302041001	WASHER,SPRING	1		10				
26	80303251204	FITTING,ELBOW	1		S,7/16-20UNF-12				
27	91000590400	O-RING	1		AS568-904				
28	99172106016	BOLT,TAPPING	5		M6X16				
29	34721221200	COVER	1						
30	37000711090	CLAMP ASSY	2		18X2				
31	37000300750	SLEEVE	4		18-15				
32	80320010090	FITTING	4		KUD15-030N				
33	80302090201	FITTING	1		KCO15-040N				
34	91002801800	O-RING	1		1B P18				

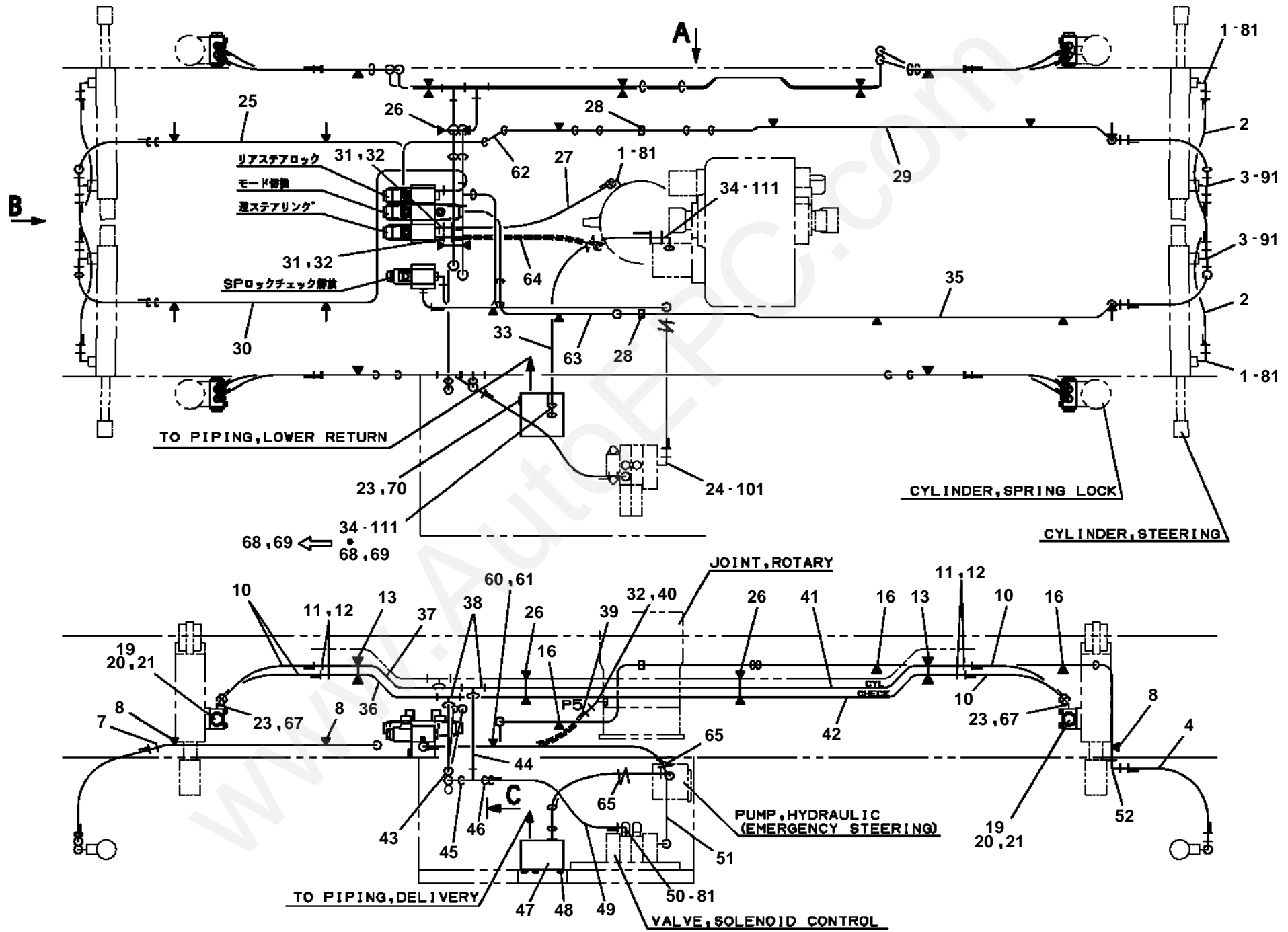
GR-120N-1-00111 12T,X,WINCH(W/O FREE-FALL),JIB(P.T)
PS1200133-01 PIPING,STEERING (UPPER)



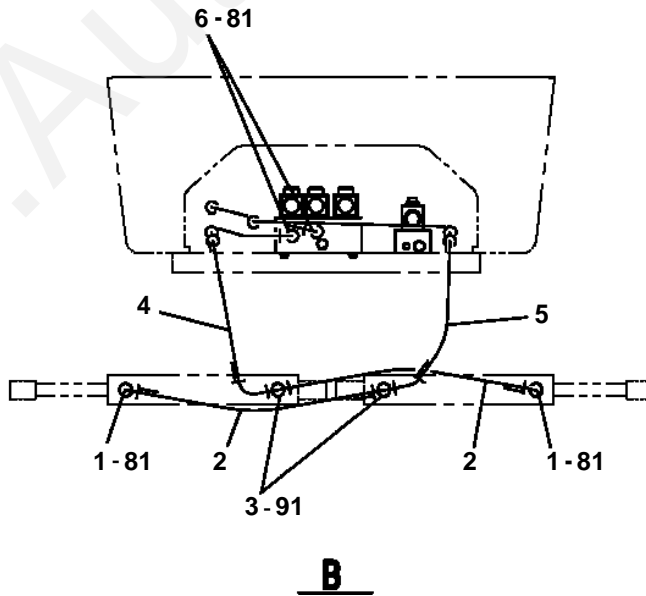
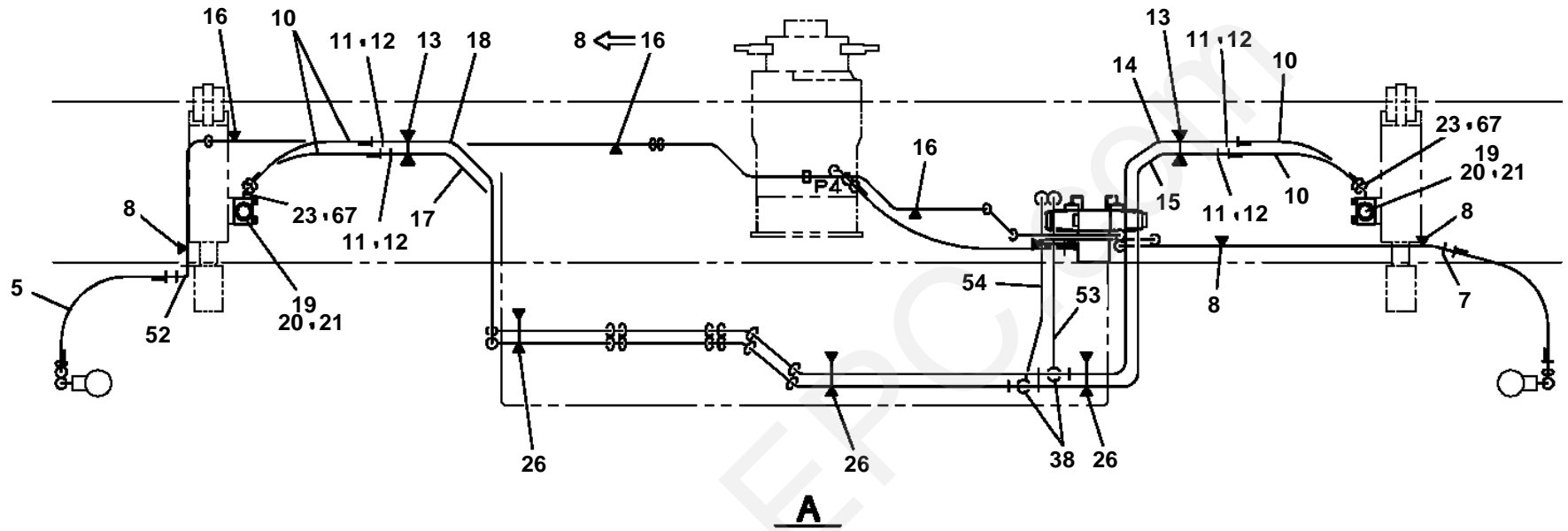
GR-120N-1-00111 12T,X,WINCH(W/O FREE-FALL),JIB(PT)

Pos No.	Parts No	Parts Name	Qty	Unit	Technical Data	Serial No (Start)	Serial No (End)	Remarks	Pages
1	80305151804	FITTING,TEE	1		KTK018-040N				
2	91002801800	O-RING	1		1B P18				
3	81408000241	PIPE,STEEL	1	M	18X1.9T				
4	37000906210	JOINT	1						
5	80460003080	JOINT	1		S,G3/8-3/4-16UNF				
6	91000590800	O-RING	1		AS568-908				
7	36611320000	VALVE,PRIORITY	1						000288
8	80481214040	JOINT	1		L,7/8-14UNF-G1/2				
9	91000591000	O-RING	1		AS568-910				
10	37002446980	HOSE	1		L=1000				
11	37002446940	HOSE	1		L=600				
12	91810130250	FASTENER	2						
13	37002469350	HOSE	1		L=650				
14	37002455880	HOSE	2		L=710				
16	80400160127	JOINT	1						
17	91002801100	O-RING	1		1B P11				
18	37000919900	JOINT (ORIFICE)	1		0.7				
19	91000590400	O-RING	1		AS568-904				
20	37002455900	HOSE	1		L=375				
21	90101208060	BOLT	2		M8X60				
22	90302040801	WASHER,SPRING	2		8				
23	34721583100	SUPPORT	1						
24	34471141300	CUSHION	3						
26	82100001411	TUBE,SPIRAL	1	M	SE-08BK	FD0874			
27	34471145220	INSULATOR	1		D=20	FD0874			

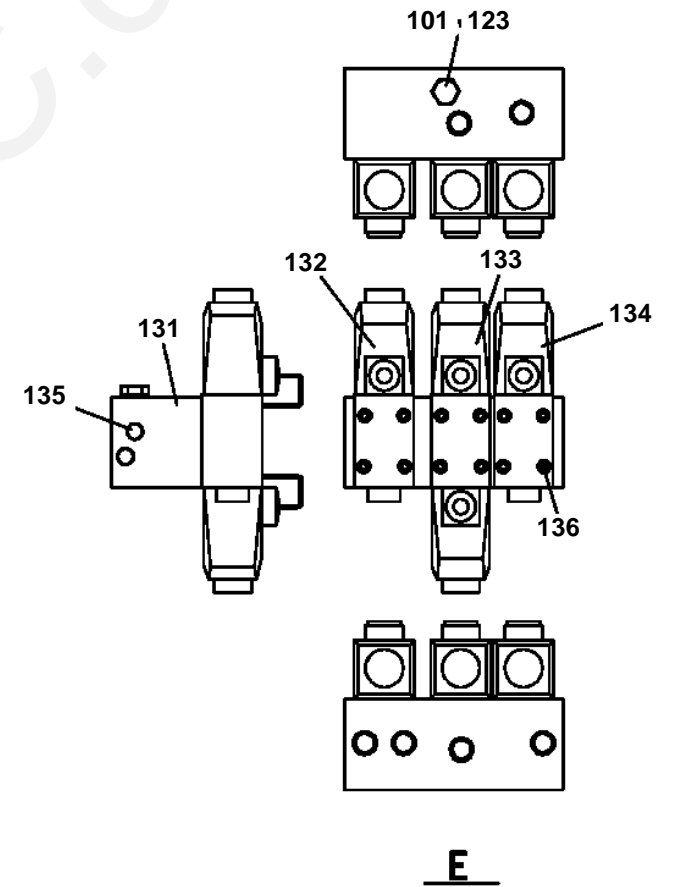
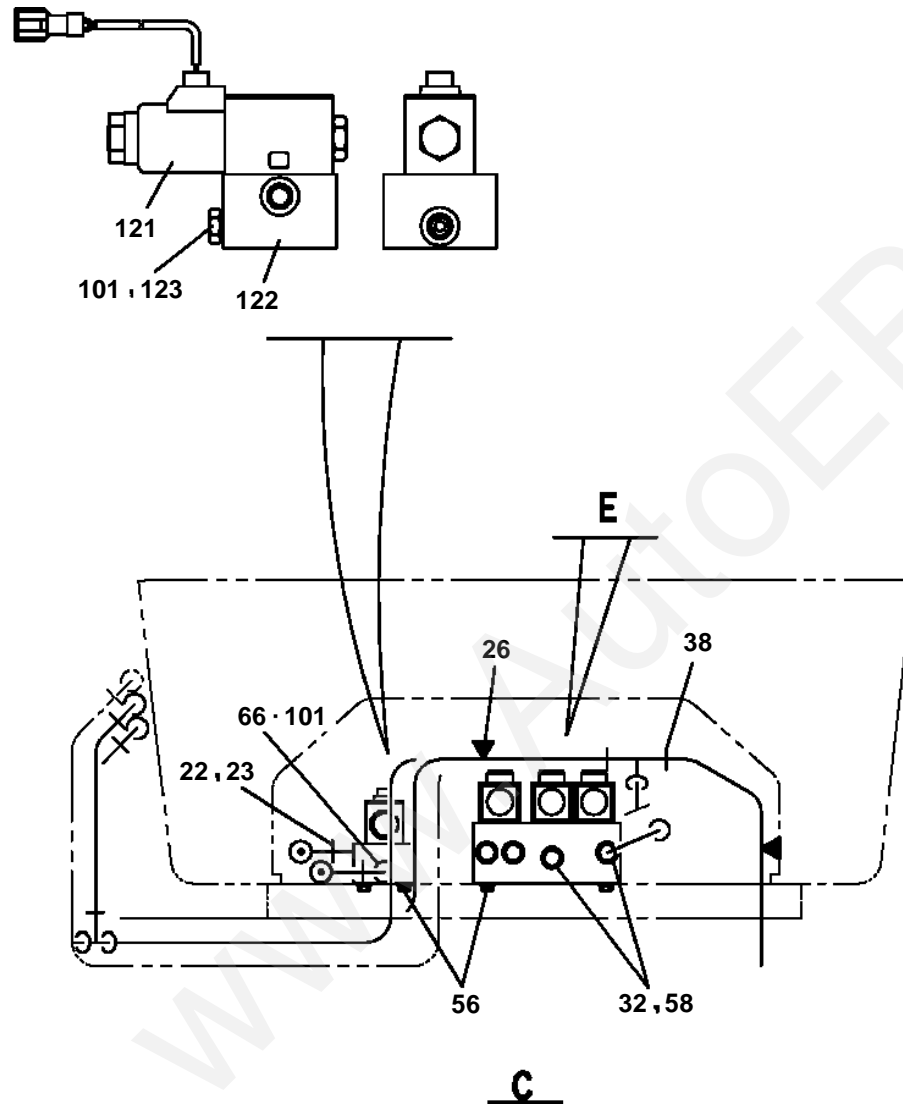
GR-120N-1-00111 12T,X,WINCH(W/O FREE-FALL),JIB(P.T)
 PS1200134-02 PIPING,STEERING (LOWER)



GR-120N-1-00111 12T,X,WINCH(W/O FREE-FALL),JIB(P.T)
PS1200134-02 PIPING,STEERING (LOWER)



GR-120N-1-00111 12T,X,WINCH(W/O FREE-FALL),JIB(P
PS1200134-02 PIPING,STEERING (LOWER)



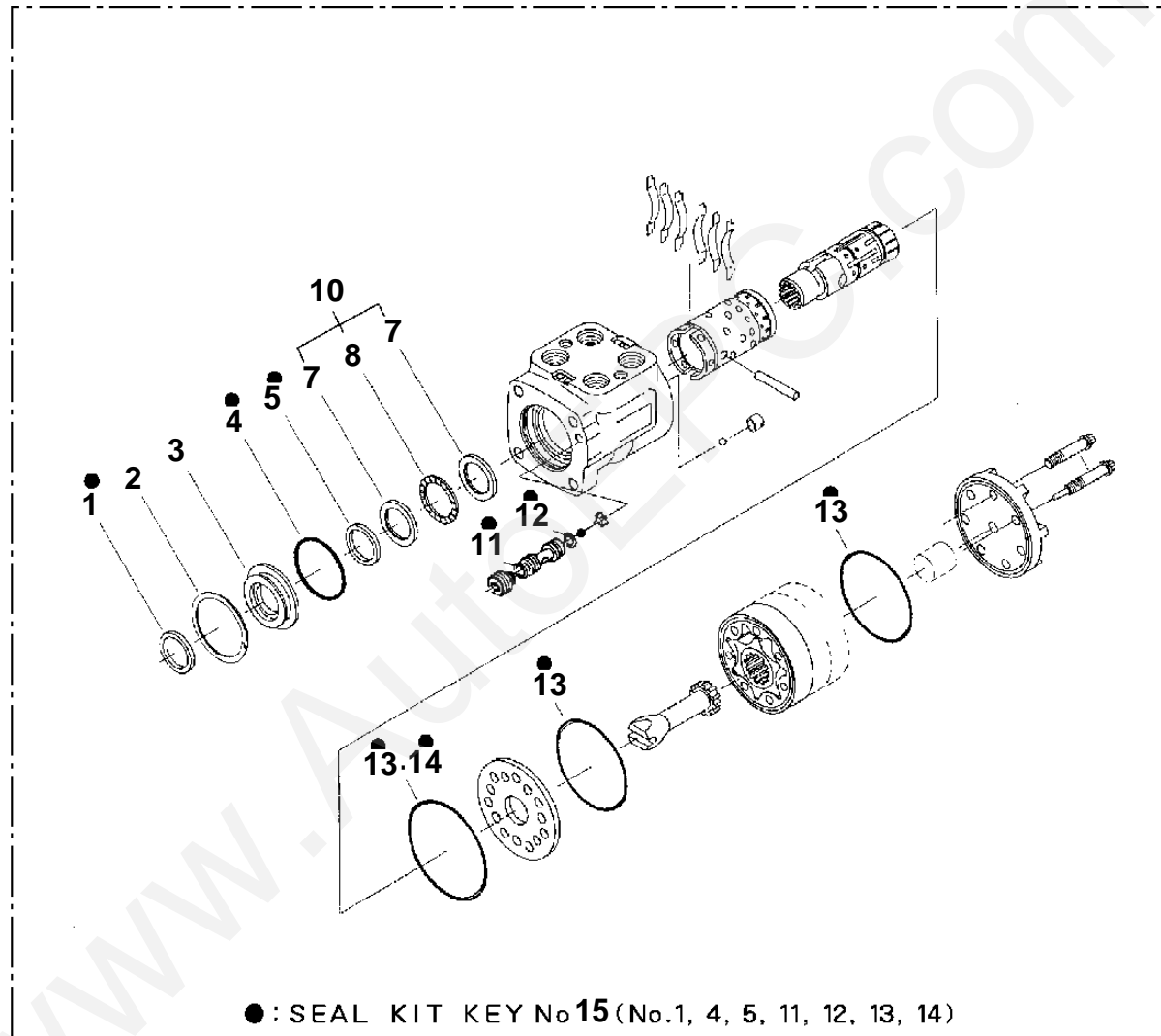
GR-120N-1-00111 12T,X,WINCH(W/O FREE-FALL),JIB(PT)

Pos No.	Parts No	Parts Name	Qty	Unit	Technical Data	Serial No (Start)	Serial No (End)	Remarks	Pages
1	80430620600	JOINT (WITH O-RING)	5		L,G3/8-G3/8				
2	37002455690	HOSE	4		L=510				
3	80400160178	JOINT (WITH O-RING)	4		T,G1/2-G3/8-G3/8				
4	37002455700	HOSE	2		L=650 TO 520				
5	37002455680	HOSE	2		L=630 TO 500				
6	80303130161	FITTING,ELBOW	2		KLO12-030E				
7	80320010080	FITTING	2		KUD12-030N				
8	37000711000	CLAMP ASSY	6		12-1		FD0803		
	37000711000	CLAMP ASSY	7		12-1	FD0804			
10	37002402510	HOSE	8		L=375				
11	80309010105	SLEEVE	8		KK012-000E				
12	80306010105	NUT	8		KKN12-000E				
13	37000701510	CLAMP ASSY	4		12X2				
14	81408000160	PIPE,STEEL	1	M	12X1.4T				
15	81408000160	PIPE,STEEL	1	M	12X1.4T				
16	37000701500	CLAMP ASSY	6		12X1		FD0803		
	37000701500	CLAMP ASSY	5		12X1	FD0804			
17	81408000160	PIPE,STEEL	2	M	12X1.4T				
18	81408000160	PIPE,STEEL	2	M	12X1.4T				
19	36624230000	VALVE,CHECK	4						000125
20	90172108055	BOLT,HEXAGON SOCKET	16		M8X55				
21	90302040801	WASHER,SPRING	16		8				
22	80400160127	JOINT	1						
23	91002801100	O-RING	9		1B P11		FD1525		
	91002801100	O-RING	10		1B P11	FD1526			
24	80430620400	JOINT	1						
25	81408000160	PIPE,STEEL	1	M	12X1.4T				
26	37000711170	CLAMP ASSY	7		12X3				
27	37002455890	HOSE	1						
28	80301010100	FITTING	2		KUA12-000N				
29	81408000160	PIPE,STEEL	2	M	12X1.4T				
30	81408000160	PIPE,STEEL	2	M	12X1.4T				
31	80400160129	JOINT	2						
32	91002801400	O-RING	5		1B P14				
33	37002470160	HOSE	1		L=800				
34	80430621200	JOINT	1						
35	81408000160	PIPE,STEEL	2	M	12X1.4T				
36	81408000160	PIPE,STEEL	1	M	12X1.4T				
37	81408000160	PIPE,STEEL	1	M	12X1.4T				
38	80305010100	FITTING,TEE	5		KTA12-000N				
39	37002452050	HOSE	1		L=610				
40	80471020503	JOINT	1		45,G3/8-G3/8				
41	81408000160	PIPE,STEEL	2	M	12X1.4T				
42	81408000160	PIPE,STEEL	2	M	12X1.4T				
43	81408000160	PIPE,STEEL	1	M	12X1.4T				
44	81408000160	PIPE,STEEL	1	M	12X1.4T				
45	80305100120	FITTING,TEE	1		KTC12-000N				
46	80320010075	FITTING	1		KUD12-020N				
47	36647030000	VALVE,HYDRAULIC	1				FD1525		000119
	36647030001	VALVE,HYDRAULIC	1			FD1526			000122
48	90186210014	BOLT,FLANGE	3		M10X14				
49	37002425870	HOSE	1		L=600				
50	37000908730	JOINT (WITH O-RING)	1		L,G3/8-G1/4				
51	37002453920	HOSE	1		L=1470				
52	80320030080	FITTING,ELBOW	2		KLE12-030N				
53	81408000160	PIPE,STEEL	1	M	12X1.4T				

GR-120N-1-00111 12T,X,WINCH(W/O FREE-FALL),JIB(PT)

Pos No.	Parts No	Parts Name	Qty	Unit	Technical Data	Serial No (Start)	Serial No (End)	Remarks	Pages
54	81408000160	PIPE,STEEL	2	M	12X1.4T				
56	90186208014	BOLT,FLANGE	4		M8X14				
58	80302090161	FITTING	2		KCO12-030N				
59	81408000160	PIPE,STEEL	1	M	12X1.4T				
60	82100002011	CLAMP	1		WRC15				
61	90280200800	NUT,FLANGE	2		M8				
62	81408000160	PIPE,STEEL	2	M	12X1.4T				
63	81408000160	PIPE,STEEL	2	M	12X1.4T				
64	82100001411	TUBE,SPIRAL	1	M	SE-08BK				
65	91810130250	FASTENER	2						
66	80303130141	FITTING,ELBOW	1		KLO12-020E				
67	80471020502	JOINT	8						
68	80471020506	JOINT	1		45,G3/4-G3/4				
69	91002802400	O-RING	1		1B P24				
70	80316100020	PLUG	1		GPF 1/4	FD1526			
81	91002801400	O-RING	8		1B P14				
91	91002801800	O-RING	4		1B P18				
101	91002801100	O-RING	4		1B P11				
111	91002802400	O-RING	1		1B P24				
121	36645900000	VALVE,SOLENOID	1						000112
122	36648911000	BODY	1						
123	80316070040	PLUG	2		PF1/4				
131	34640552110	BODY	1						
132	36645920000	VALVE,SOLENOID	1						000104
133	36645930000	VALVE,SOLENOID	1						000111
134	36645940000	VALVE,SOLENOID	1						000105
135	80316030040	PLUG	3		PT1/4				
136	90131905050	BOLT,HEXAGON SOCKET	12		M5X50		FD0219		
	90172105045	BOLT,HEXAGON SOCKET	12		M5X45	FD0220			

GR-120N-1-00111 12T,X,WINCH(W/O FREE-FALL),JIB(PT)
PS1340002-00 ORBITROL

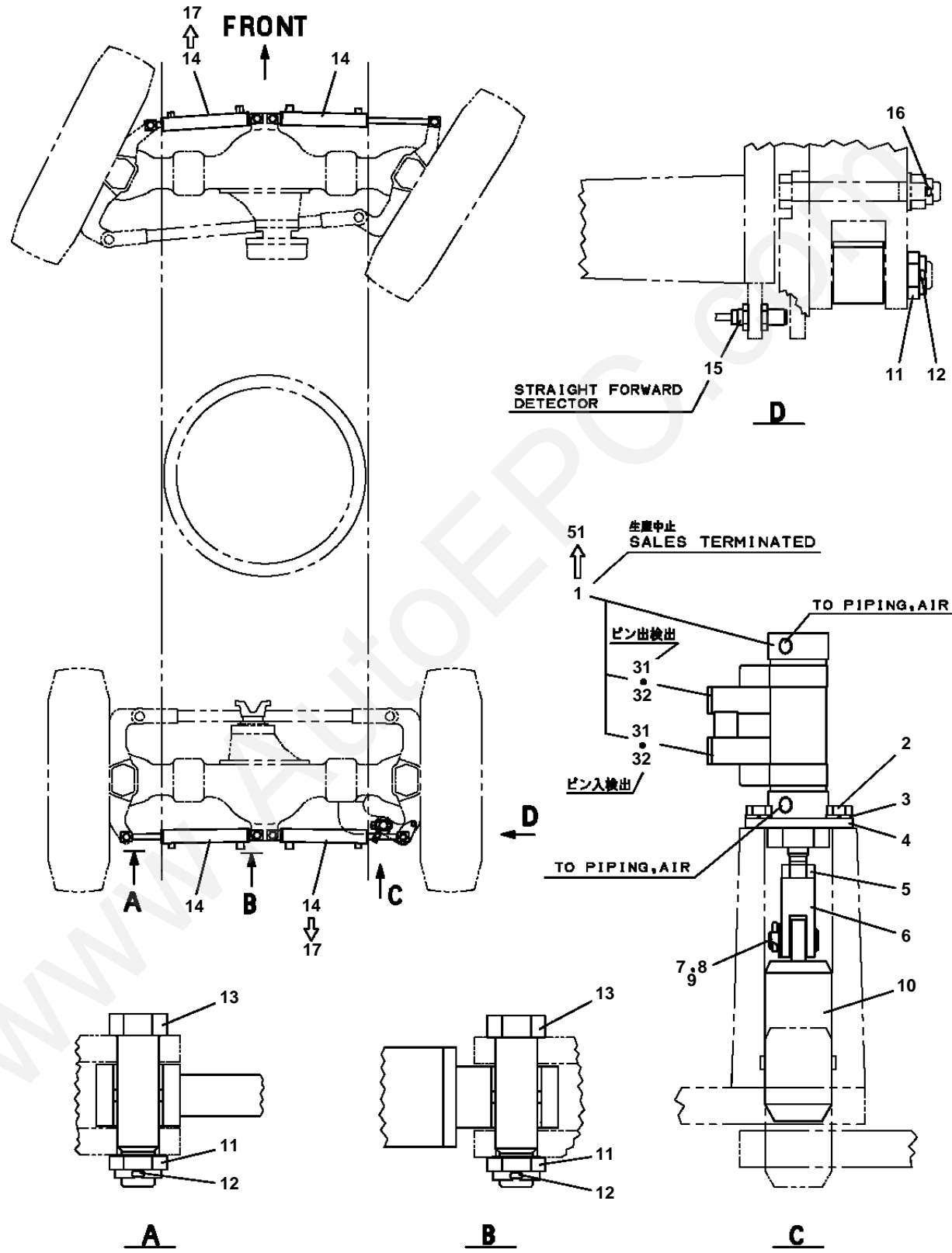


GR-120N-1-00111 12T,X,WINCH(W/O FREE-FALL),JIB(PT)

Pos No.	Parts No	Parts Name	Qty	Unit	Technical Data	Serial No (Start)	Serial No (End)	Remarks	Pages
1	19045106030	SEAL,DUST	1						
2	19045106040	RING,RETAINING	1						
3	19045106050	BUSHING (GRAND SEAL)	1						
4	19045106060	O-RING	1						
5	19045106070	SEAL,OIL	1						
7	19045106090	RACE (BEARING)	2						
8	19045106100	BEARING,NEEDLE	1						
10	19045106080	BEARING ASSY (NEEDLL)	1						
13	36631495030	O-RING	2						
14	36635275020	O-RING	1						
15	36635275010	SEAL KIT	1						
20	36636020000	ORBITROL	1						

www.AutoEPC.com

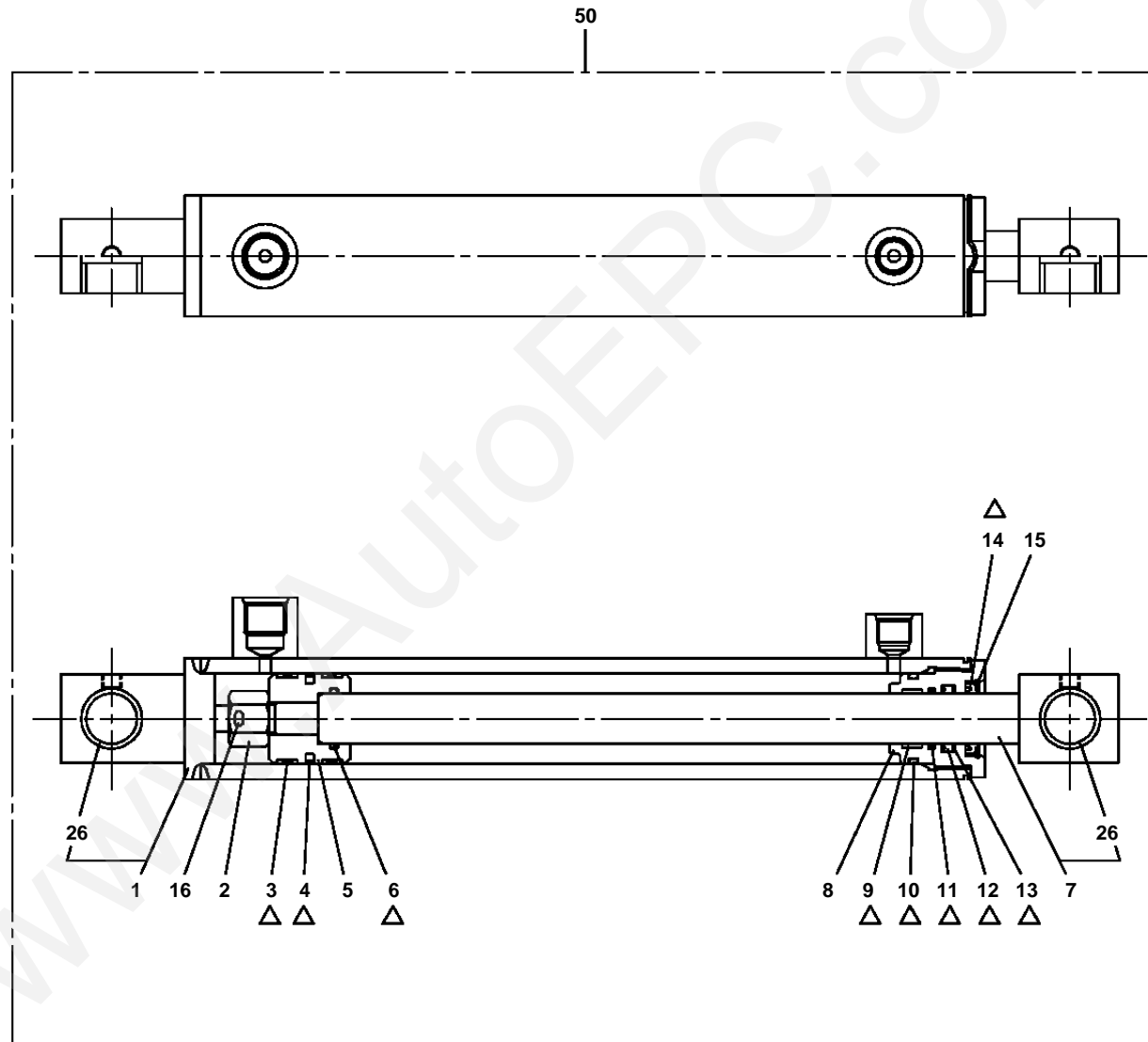
GR-120N-1-00111 12T,X,WINCH(W/O FREE-FALL),JIB(P.T)
 PS1350031-04 CYLINDER,STEERING INSTALLATION



GR-120N-1-00111 12T,X,WINCH(W/O FREE-FALL),JIB(PT)

Pos No.	Parts No	Parts Name	Qty	Unit	Technical Data	Serial No (Start)	Serial No (End)	Remarks	Pages
1	36062500000	CYLINDER,AIR	1						
2	90101208020	BOLT	4		M8X20				
3	90302040801	WASHER,SPRING	4		8				
4	34721060200	PLATE	1						
5	90209701000	NUT	1		M10				
6	37005400120	END	1						
7	37000124910	PIN	1						
8	80136332020	PIN,SPLIT	1		3.2X20				
9	90303071001	WASHER,PLAIN	1		10				
10	34721060100	PIN	1						
11	90236202008	NUT,CASTLE	8		M20X1.5				
12	80136340040	PIN,SPLIT	8		4X40				
13	37001507920	BOLT	7						
14	36062470000	CYLINDER,STEERING	4				FD1264		000286
	36062470000	CYLINDER,STEERING	2			FD1265			000286
15	82108901190	SWITCH	1				FD1264		
	82108501100	SWITCH	1		FL7M-5A6N-901	FD1265			
16	80136332028	PIN,SPLIT	1		3.2X28				
17	36060230000	CYLINDER,STEERING	2			FD1265			000287
31	36062835010	SWITCH	2						
32	36062555020	BAND SET	2						
51	36063420000	CYLINDER ASSY,AIR (ASSY ONLY)	1						

GR-120N-1-00111 12T,X,WINCH(W/O FREE-FALL),JIB(P
PS1360041-02 CYLINDER,STEERING

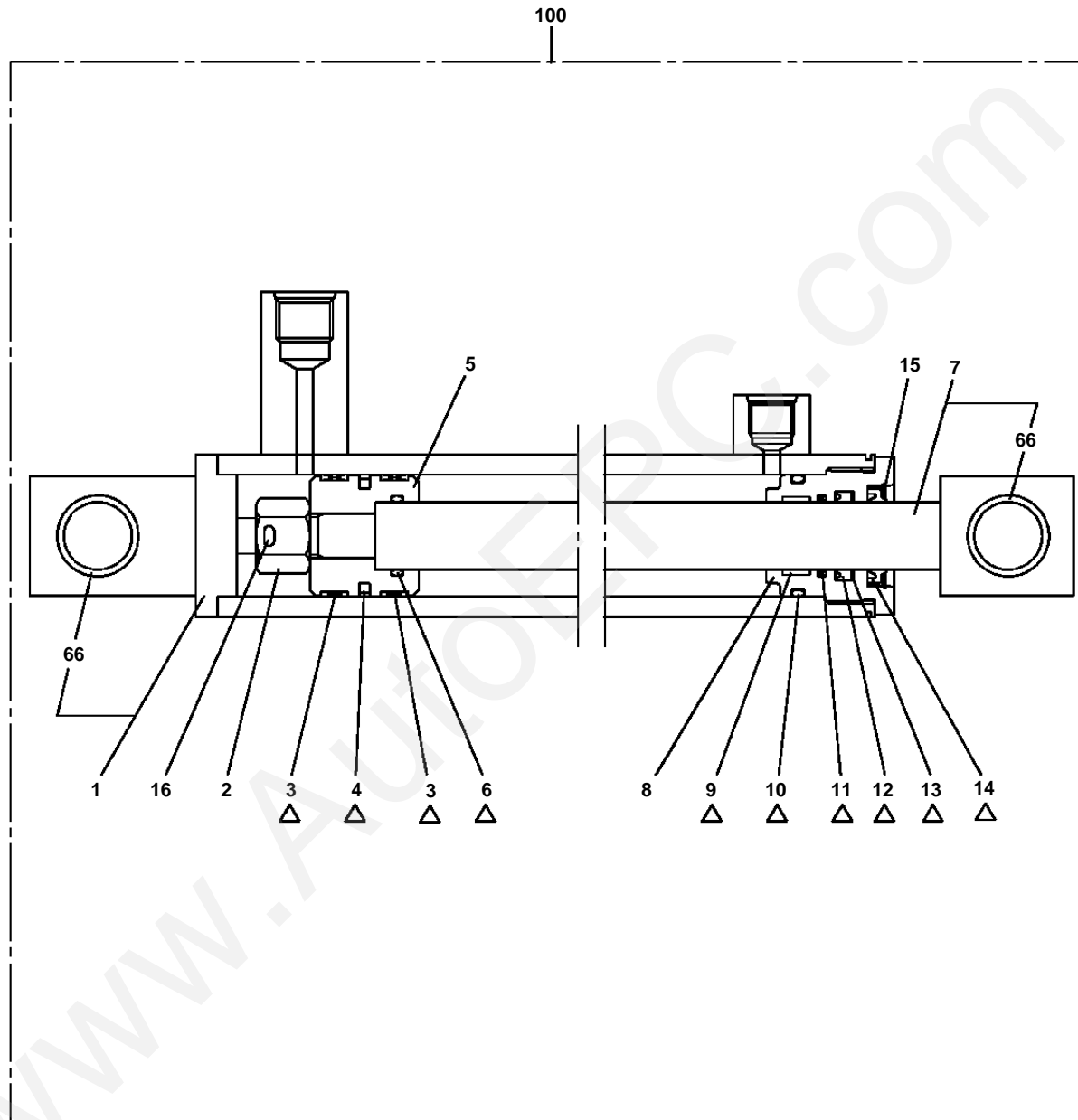


Δ:PACKING SET KEY NO. 40 (KEY NO.3,4,6,9,10,11,12,13,14)

GR-120N-1-00111 12T,X,WINCH(W/O FREE-FALL),JIB(PT)

Pos No.	Parts No	Parts Name	Qty	Unit	Technical Data	Serial No (Start)	Serial No (End)	Remarks	Pages
1	36062470100	CYLINDER	1						
2	37001601210	NUT	1						
3	91302204500	BEARING,PLAIN	2						
4	91100104500	SEAL,RING	1						
5	36062470200	PISTON	1						
6	91002902500	O-RING	1		1B G25				
7	36062470300	ROD	1						
8	36062054000	COVER,ROD	1						
9	91302102500	BEARING,PLAIN	1						
10	91002803900	O-RING	1		1B P39				
11	91251100250	RING,DAMPER	1						
12	91694002500	PACKING	1						
13	91410202501	RING,BACKUP	1						
14	91660002500	SEAL,DUST	1						
15	80622000250	RING,RITAINING	1		SP25				
16	80136340036	PIN,SPLIT	1						
26	37000403100	BEARING,PLAIN	4						
40	36062479900	PACKING SET	1						
50	36062470000	CYLINDER,STEERING	1						

GR-120N-1-00111 12T,X,WINCH(W/O FREE-FALL),JIB(P.T)
PS1360065-00 CYLINDER,STEERING

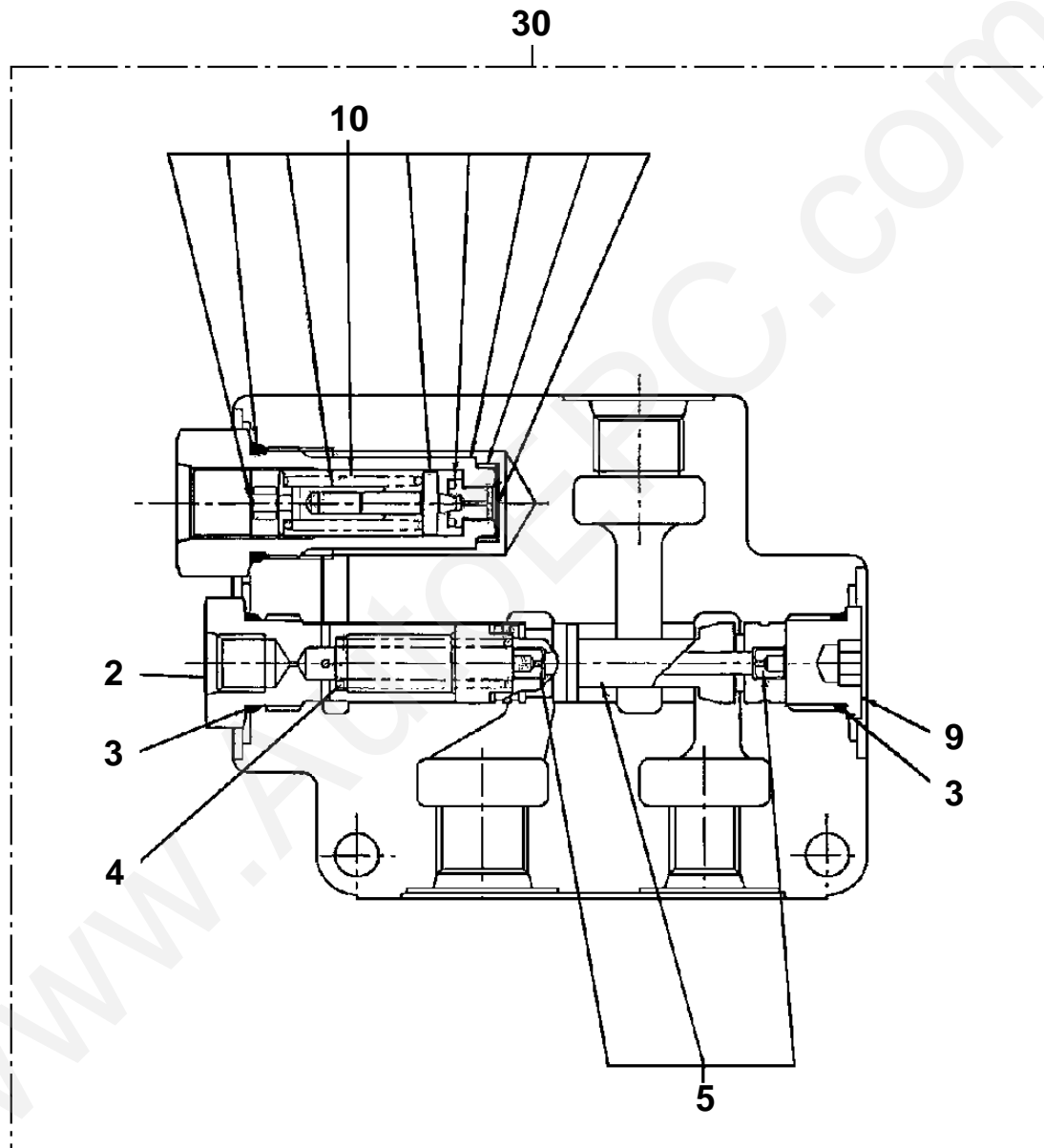


△: PACKING SET KEY NO. 41 (KEY NO. 3, 4, 6, 9, 10, 11, 12, 13, 14)

GR-120N-1-00111 12T,X,WINCH(W/O FREE-FALL),JIB(PT)

Pos No.	Parts No	Parts Name	Qty	Unit	Technical Data	Serial No (Start)	Serial No (End)	Remarks	Pages
1	36060230100	CYLINDER	1						
2	37001601210	NUT	1						
3	91302204500	BEARING,PLAIN	2						
4	91100104500	SEAL,RING	1						
5	36062470200	PISTON	1						
6	91002902500	O-RING	1		1B G25				
7	36062470300	ROD	1						
8	36062054000	COVER,ROD	1						
9	91302102500	BEARING,PLAIN	1						
10	91002803900	O-RING	1		1B P39				
11	91251100250	RING,DAMPER	1						
12	91694002500	PACKING	1						
13	91410202501	RING,BACKUP	1						
14	91660002500	SEAL,DUST	1						
15	80622000250	RING,RITAINING	1		SP25				
16	80136340036	PIN,SPLIT	1						
41	36062479900	PACKING SET	1						
66	37000403100	BEARING,PLAIN	4						
100	36060230000	CYLINDER,STEERING	1						

GR-120N-1-00111 12T,X,WINCH(W/O FREE-FALL),JIB(PT)
PS1400008-00 VALVE,PRIORITY

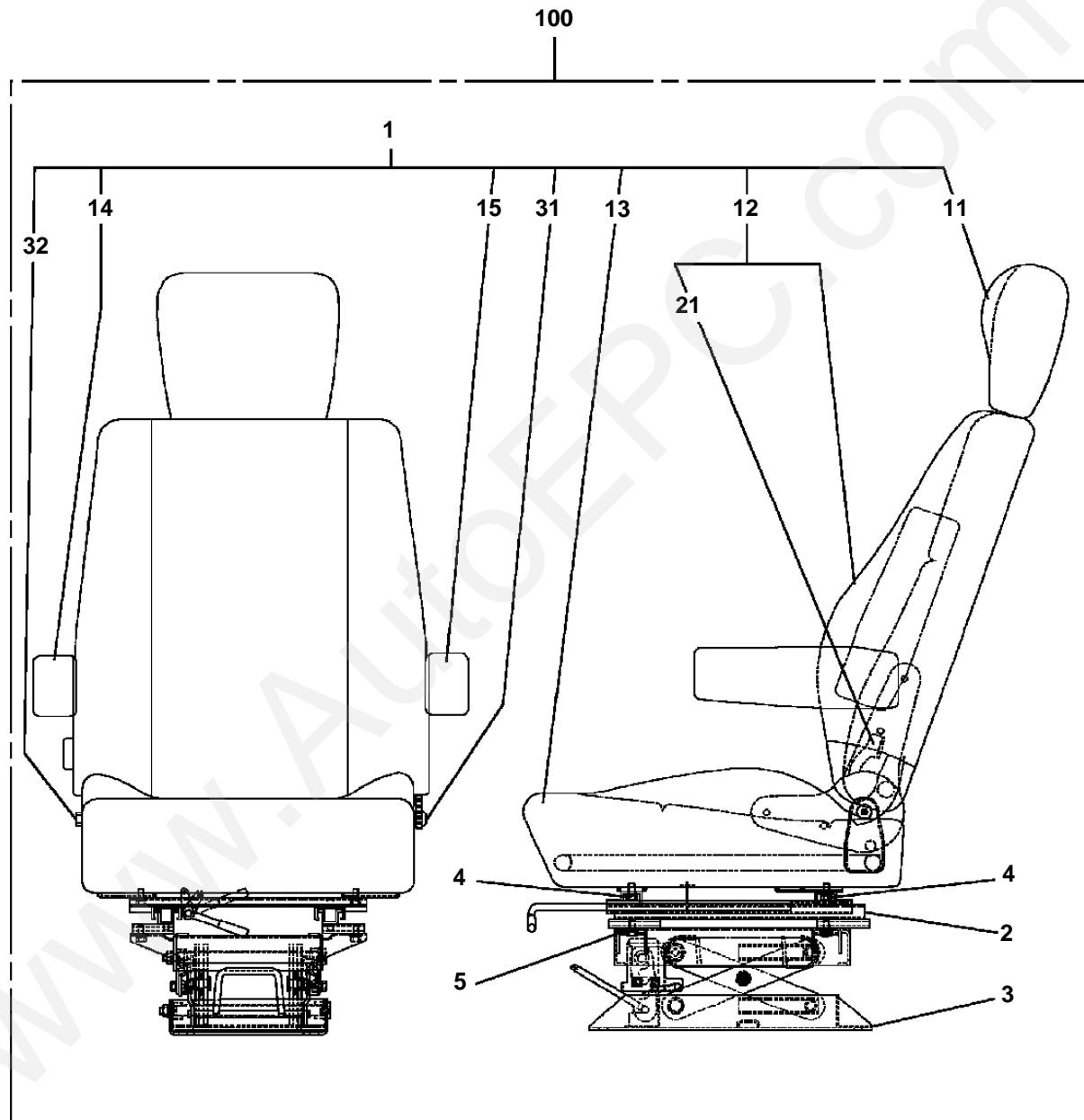


GR-120N-1-00111 12T,X,WINCH(W/O FREE-FALL),JIB(PT)

Pos No.	Parts No	Parts Name	Qty	Unit	Technical Data	Serial No (Start)	Serial No (End)	Remarks	Pages
2	36610925010	PLUG	1						
3	36610275020	O-RING	2		AS568-908				
4	36610925030	SPRING	1						
5	36611205020	SPOOL ASSY	1						
9	36610925040	PLUG	1						
10	36611325010	CARTRIDGE,RELIEF VALVE	1						
30	36611320000	VALVE,PRIORITY	1						

www.AutoEPC.com

GR-120N-1-00111 12T,X,WINCH(W/O FREE-FALL),JIB(P
PS5050004-00 SEAT ASSY

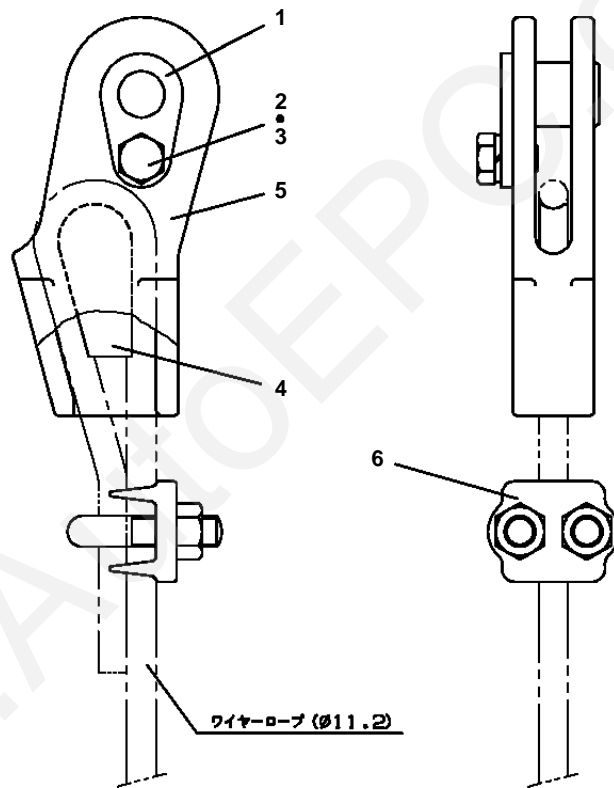


GR-120N-1-00111 12T,X,WINCH(W/O FREE-FALL),JIB(PT)

Pos No.	Parts No	Parts Name	Qty	Unit	Technical Data	Serial No (Start)	Serial No (End)	Remarks	Pages
1	34251197630	SEAT ASSY	1						
2	34250887590	ADJUSTER	1						
3	34251197580	ADJUSTER ASSY (HIGHT)	1						
4	34251197690	BOLT (WITH WASHER)	8						
5	34251197590	WASHER	4						
11	34251197640	HEADREST ASSY	1						
12	34251197650	SEAT ASSY	1						
13	34251197620	CUSHION ASSY (SEAT)	1						
14	34251197670	ARMREST (RIGHT)	1						
15	34251197680	ARMREST (LEFT)	1						
21	34250687570	ADJUSTER (RECLINING)	1						
31	34251197600	BOLT	1						
32	34251197610	BOLT (SEMS)	1						
100	34251192001	SEAT ASSY	1						

www.AutoEPC.com

GR-120N-1-00111 12T,X,WINCH(W/O FREE-FALL),JIB(P
PS5250002-00 SOCKET ASSY,ROPE (MAIN)

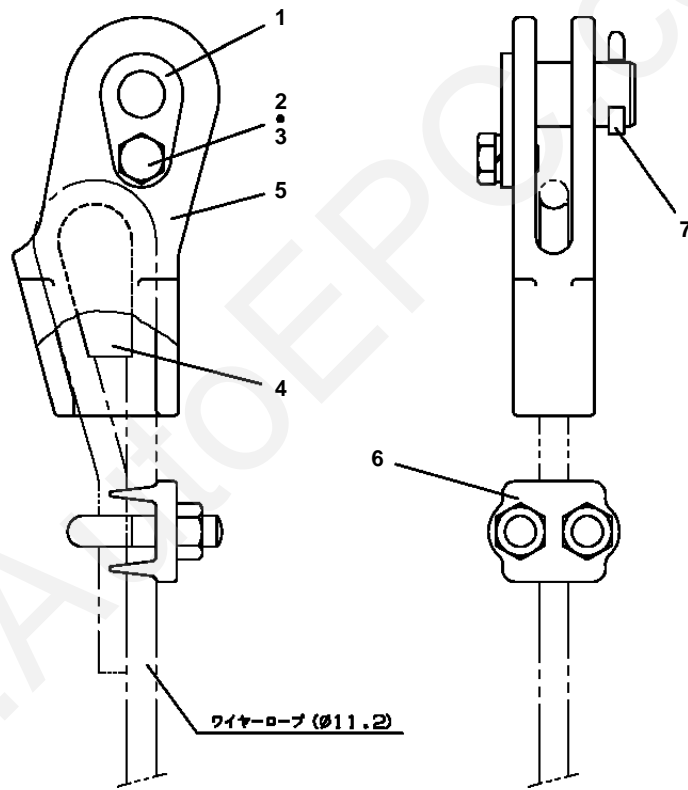


GR-120N-1-00111 12T,X,WINCH(W/O FREE-FALL),JIB(PT)

Pos No.	Parts No	Parts Name	Qty	Unit	Technical Data	Serial No (Start)	Serial No (End)	Remarks	Pages
1	37000105070	PIN	1						
2	90101210016	BOLT	1		M10X16				
3	90302041001	WASHER,SPRING	1		10				
4	37002600210	WEDGE	1		11.2				
5	37002600110	SOCKET,ROPE	1		10&11.2				
6	83151411200	CLIP	1						

www.AutoEPC.com

GR-120N-1-00111 12T,X,WINCH(W/O FREE-FALL),JIB(P.T)
PS5250003-00 SOCKET ASSY,ROPE (AUX.)

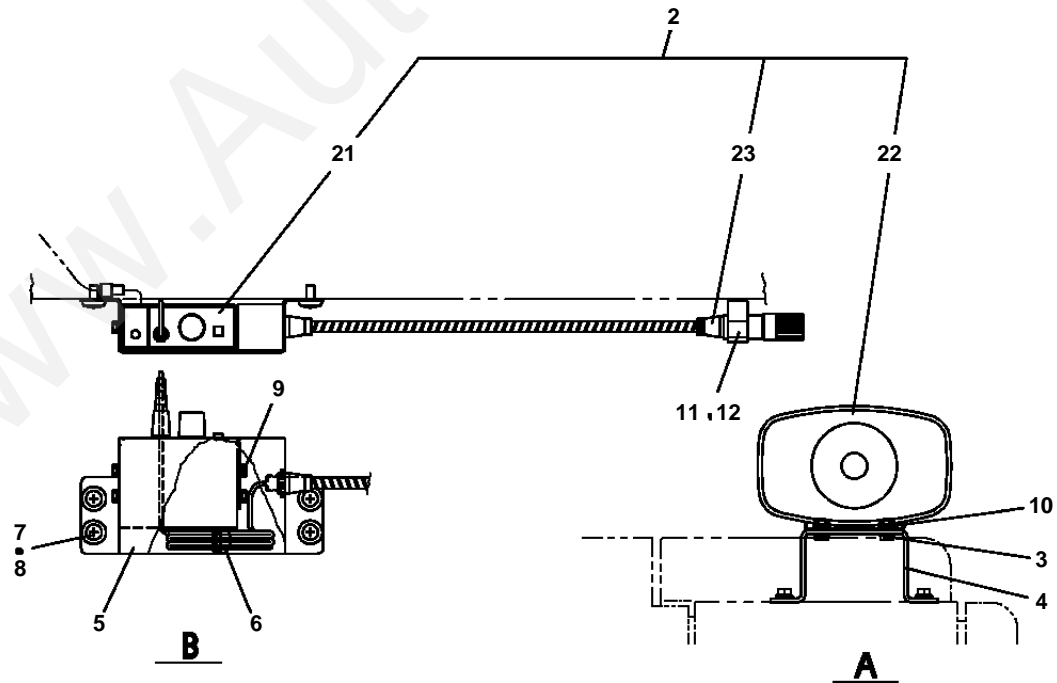
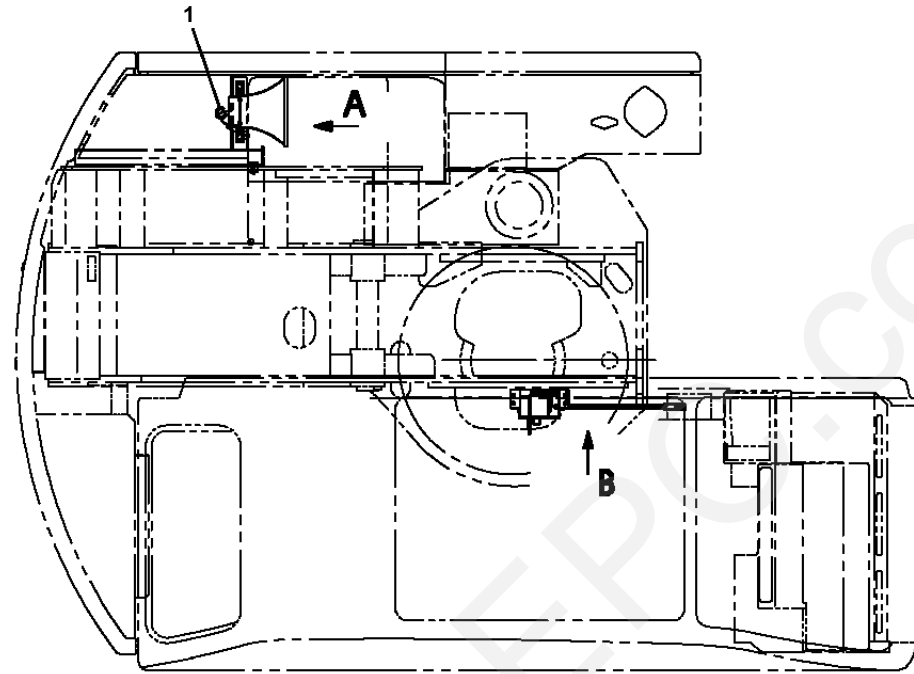


GR-120N-1-00111 12T,X,WINCH(W/O FREE-FALL),JIB(PT)

Pos No.	Parts No	Parts Name	Qty	Unit	Technical Data	Serial No (Start)	Serial No (End)	Remarks	Pages
1	37000124490	PIN	1						
2	90101210016	BOLT	1		M10X16				
3	90302041001	WASHER,SPRING	1		10				
4	37002600210	WEDGE	1		11.2				
5	37002600110	SOCKET,ROPE	1		10&11.2				
6	83151411200	CLIP	1						
7	80136363040	PIN,SPLIT	1		6.3X40				

www.AutoEPC.com

GR-120N-1-00111 12T,X,WINCH(W/O FREE-FALL),JIB(P
PS5280001-00 SPEAKER ASSY

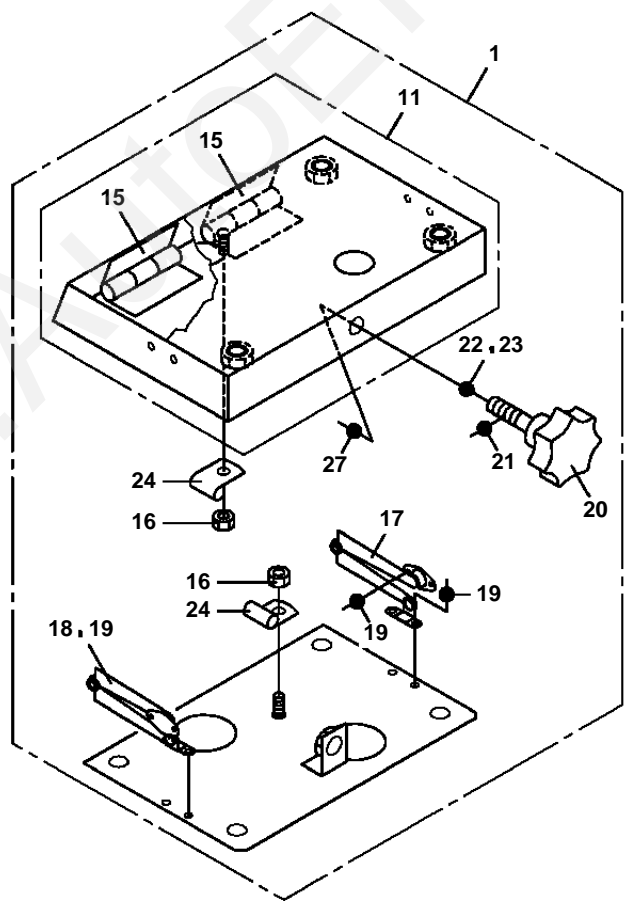
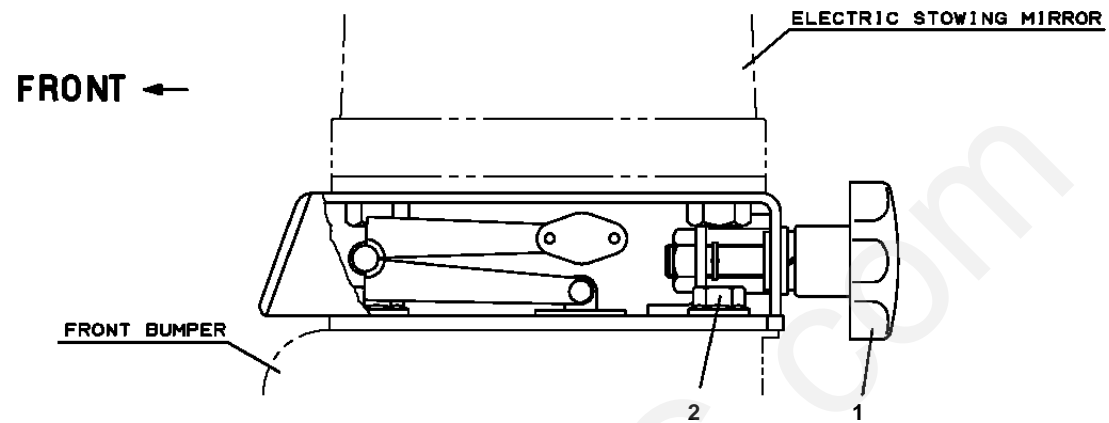


GR-120N-1-00111 12T,X,WINCH(W/O FREE-FALL),JIB(PT)

Pos No.	Parts No	Parts Name	Qty	Unit	Technical Data	Serial No (Start)	Serial No (End)	Remarks	Pages
1	8210000958	GROMMET	1		30B				
2	34478531000	SPEAKER ASSY (MIC+AMP+SPEAKER)	1						
3	90101208020	BOLT	2		M8X20				
4	34479990100	SUPPORT	1						
5	34478532000	SUPPORT	1						
6	91810130240	FASTENER	1						
7	80186406016	SCREW,MACHINE	4		M6X16				
8	90305260601	WASHER	4		B1-6				
9	90303070501	WASHER,PLAIN	4		5				
10	90280200800	NUT,FLANGE	2		M8				
21	34478531010	AMPLIFIER	1						
22	34478531020	SPEAKER	1						
23	34478531030	MICROPHONE	1						

www.AutoEPC.com

GR-120N-1-00111 12T,X,WINCH(W/O FREE-FALL),JIB(P
PS5420013-02 SUPPORT ASSY (ELECTRIC STOWING MIRROR ADMIRATION STAND)

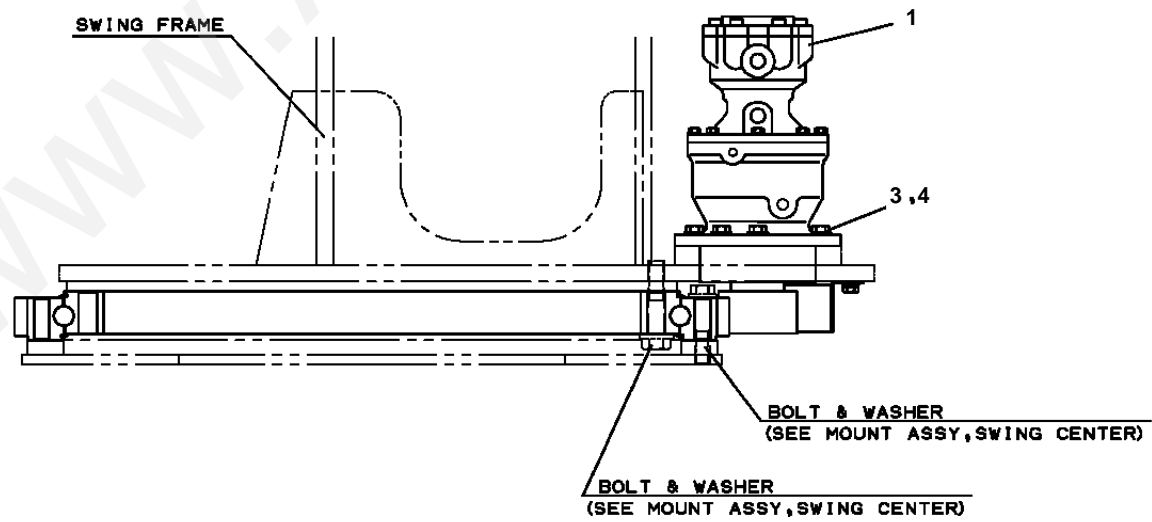
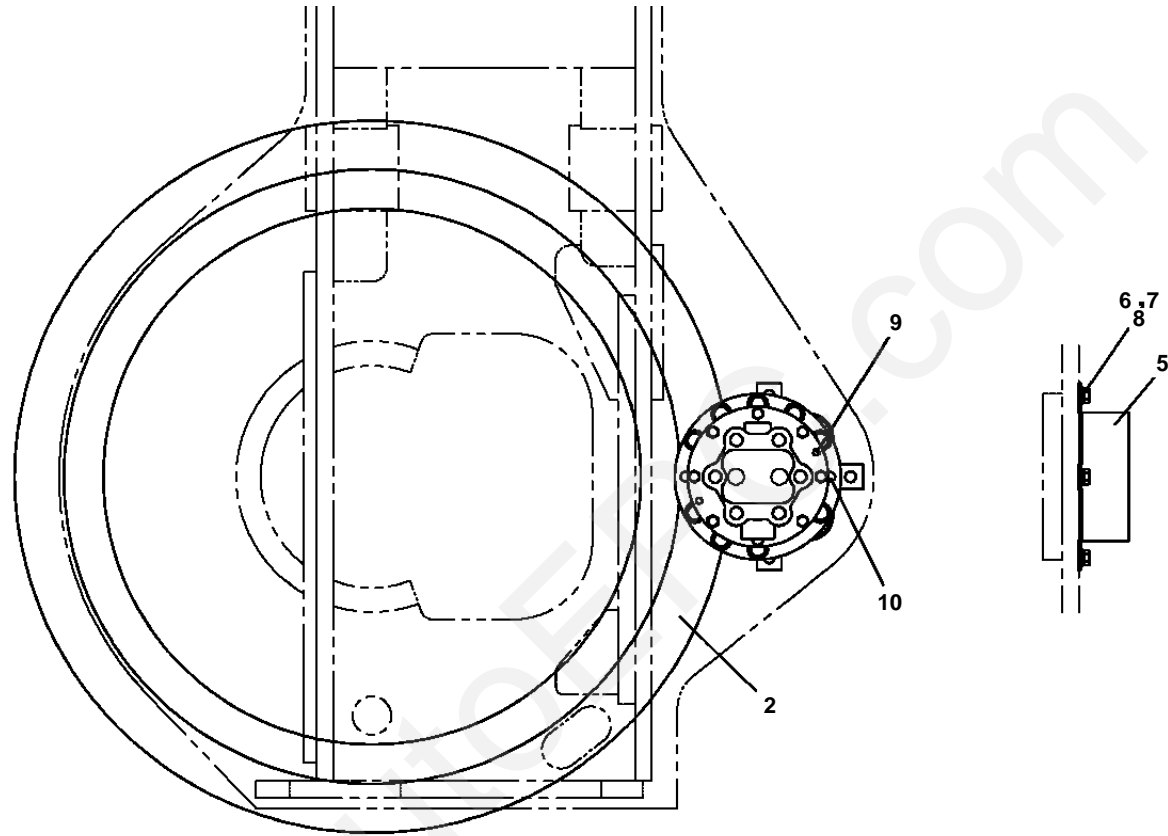


GR-120N-1-00111 12T,X,WINCH(W/O FREE-FALL),JIB(PT)

Pos No.	Parts No	Parts Name	Qty	Unit	Technical Data	Serial No (Start)	Serial No (End)	Remarks	Pages
1	34731410100	SUPPORT	1						
2	90186210020	BOLT,FLANGE	4		M10X20				
11	34731419510	COVER ASSY	1						
15	82400000154	HINGE	2						
16	90280200600	NUT,FLANGE	2		M6				
17	82464004020	STAY	1						
18	82464004025	STAY	1						
19	80175803006	SCREW,MACHINE	8		M3X6				
20	82430801040	KNOB	1						
21	80136316014	PIN,SPLIT	1						
22	90302041001	WASHER,SPRING	1		10				
23	90303071001	WASHER,PLAIN	1		10				
24	82100002002	CLAMP	2		WR6				
27	90303101001	WASHER,PLAIN	1		10				

www.AutoEPC.com

GR-120N-1-00111 12T,X,WINCH(W/O FREE-FALL),JIB(P.T)
PS5500003-00 SWING ASSY

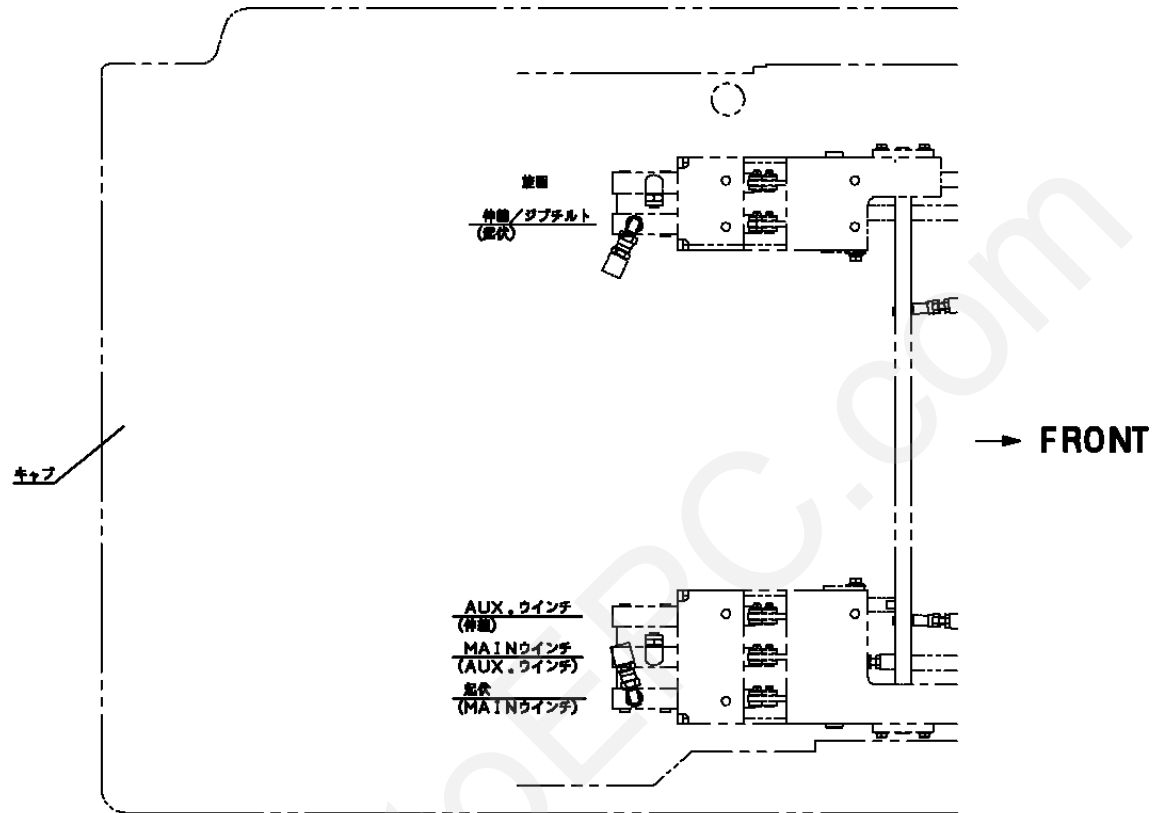


GR-120N-1-00111 12T,X,WINCH(W/O FREE-FALL),JIB(PT)

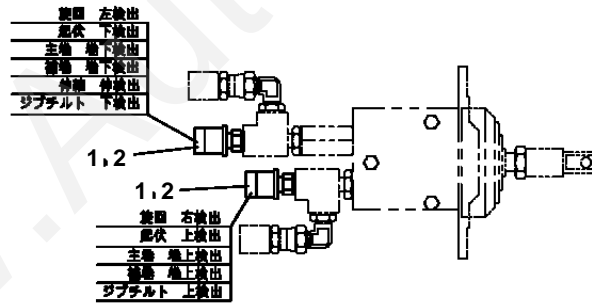
Pos No.	Parts No	Parts Name	Qty	Unit	Technical Data	Serial No (Start)	Serial No (End)	Remarks	Pages
1	36081150000	DRIVING UNIT,SWING	1						000054
2	37002304740	BEARING,SWING (NIHON MONORACE)	1						
	37002304730	BEARING,SWING (KOYO)	1						
	37002305630	BEARING,SWING (SHILLA)	1			FD2826			
3	90171112040	BOLT	9		M12X40				
4	90303501201	WASHER,PLAIN	9		12				
5	34300460100	COVER	1						
6	90101210016	BOLT	3		M10X16				
7	90302041001	WASHER,SPRING	3		10				
8	90303071001	WASHER,PLAIN	3		10				
9	82401800080	PLUG (FOR M8)	2						
10	82401800120	PLUG (FOR M12)	2						

www.AutoEPC.com

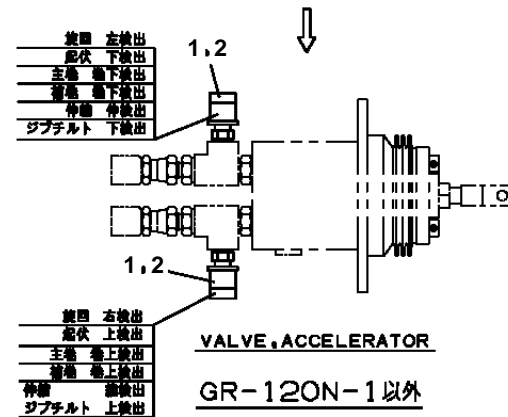
GR-120N-1-00111 12T,X,WINCH(W/O FREE-FALL),JIB(P.T)
 PS5530015-01 SWITCH ASSY (CRANE OPE.FOR REMOCON VALVE)



< () はTDN方式を示す >



GR-120N-1



VALVE, ACCELERATOR

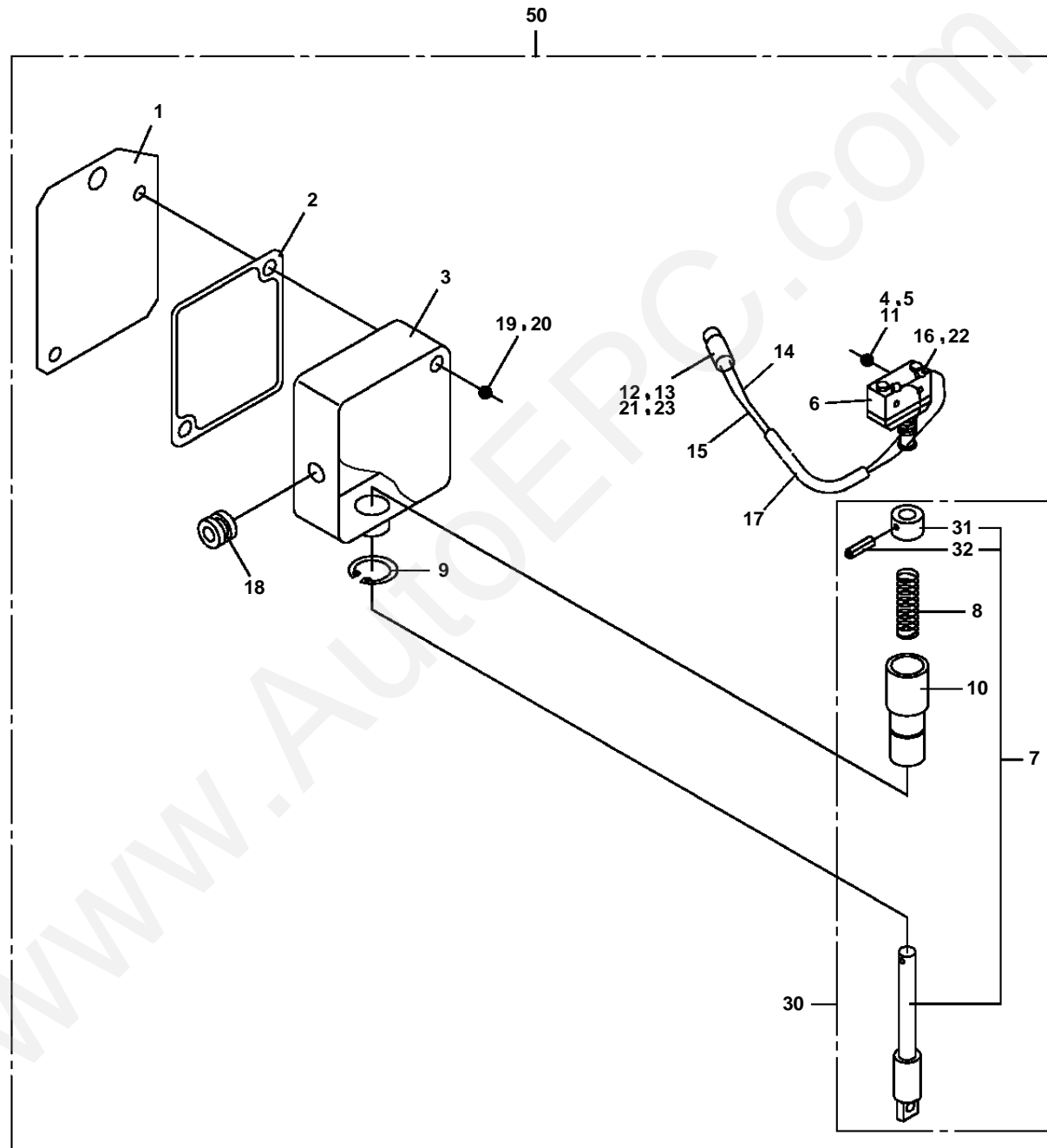
GR-120N-1以外

GR-120N-1-00111 12T,X,WINCH(W/O FREE-FALL),JIB(PT)

Pos No.	Parts No	Parts Name	Qty	Unit	Technical Data	Serial No (Start)	Serial No (End)	Remarks	Pages
1	36682750000	SWITCH,PRESSURE	10						
2	91002801100	O-RING	10		1B P11				

www.AutoEPC.com

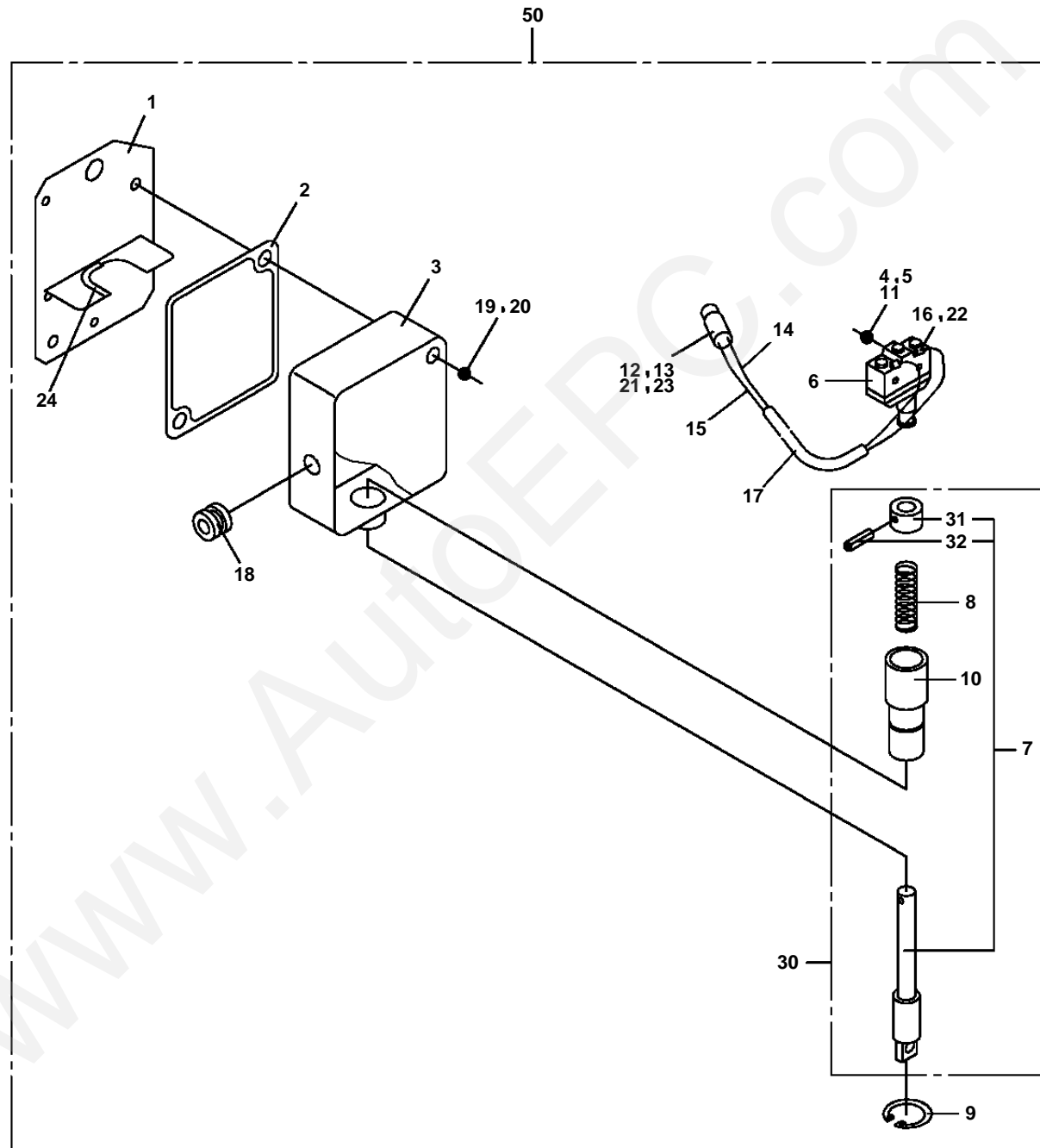
GR-120N-1-00111 12T,X,WINCH(W/O FREE-FALL),JIB(P
PS5540001-00 SWITCH (OVER WIND/BOOM)



GR-120N-1-00111 12T,X,WINCH(W/O FREE-FALL),JIB(PT)

Pos No.	Parts No	Parts Name	Qty	Unit	Technical Data	Serial No (Start)	Serial No (End)	Remarks	Pages
1	34372231200	PLATE	1						
2	32370002110	GASKET	1						
3	32370002121	COVER	1						
4	80172303025	SCREW,MACHINE	2		M3X25				
5	90302040301	WASHER,SPRING	2		3				
6	82100001355	SWITCH,LIMIT	1						
7	32370002131	ROD	1						
8	14148373001	SPRING	1						
9	80601110180	RING,RITAINING	1		S18				
10	34371314400	SUPPORT	1						
11	90303070301	WASHER,PLAIN	2		3				
12	82114101020	CONNECTOR (2P,MALE)	1						
13	82111101010	TERMINAL	2						
14	32370005200	CORD	1						
15	32370005210	CORD	1						
16	82100000592	TERMINAL (M40.3 TO 1.25)	2						
17	89630201000	HOSE,VINYL	1		6X8,1M				
18	14148375000	GROMMET	1						
19	90101208040	BOLT	2		M8X40				
20	90302040801	WASHER,SPRING	2		8				
21	82121102020	HOLDER	1						
22	82100001220	INSULATOR	2						
23	82121101085	PLUG (AVS0.85)	2						
30	32370009512	ROD ASSY	1						
31	32370002150	SPACER	1		L=12 TO 11				
32	80720103014	PIN,SPRING	1		3X14				
50	34372231100	SWITCH (OVER WIND/BOOM)	1						

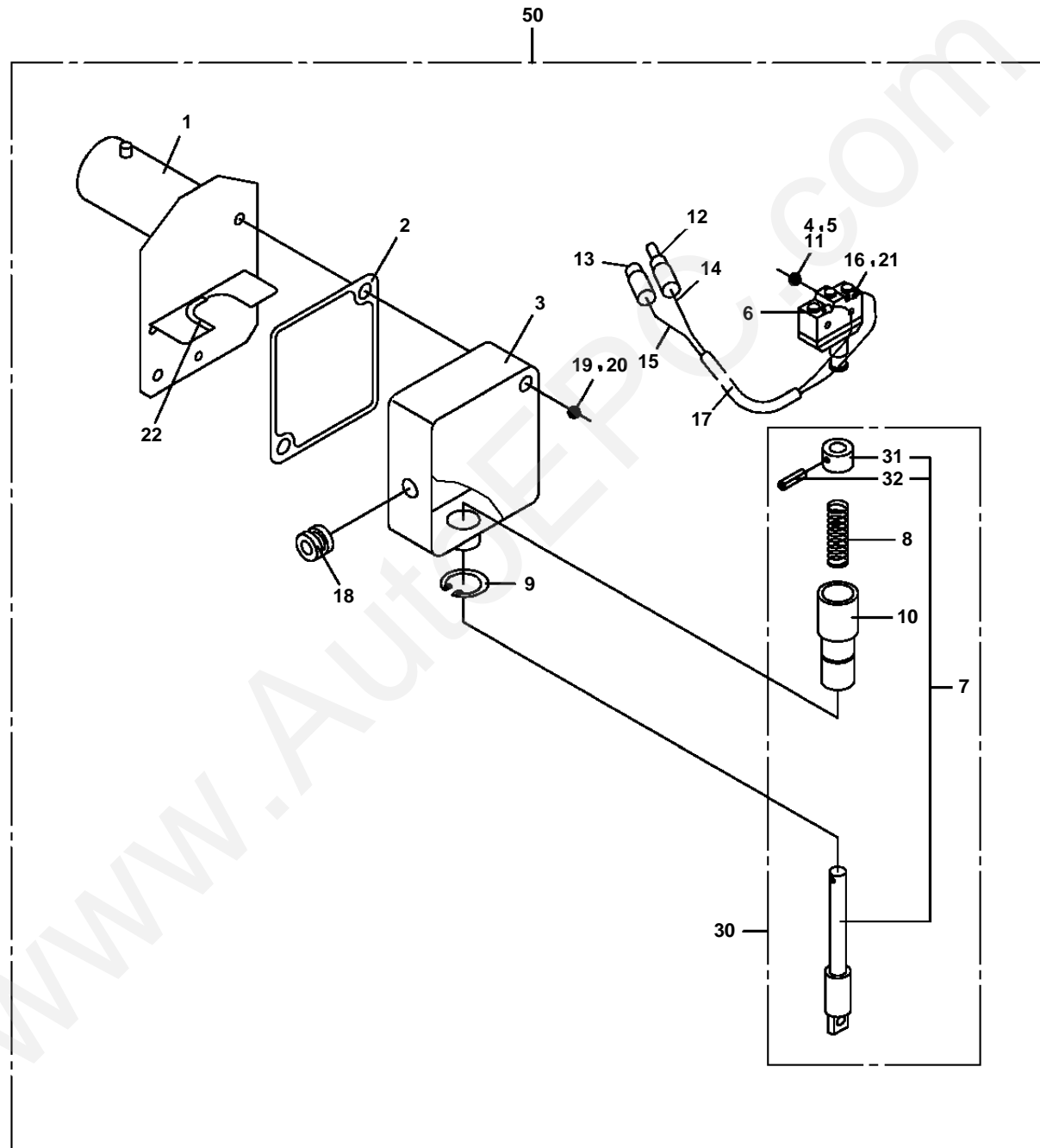
GR-120N-1-00111 12T,X,WINCH(W/O FREE-FALL),JIB(PT)
PS5540002-00 SWITCH (OVER WIND/BOOM)



GR-120N-1-00111 12T,X,WINCH(W/O FREE-FALL),JIB(PT)

Pos No.	Parts No	Parts Name	Qty	Unit	Technical Data	Serial No (Start)	Serial No (End)	Remarks	Pages
1	34371851600	SUPPORT	1						
2	32370002110	GASKET	1						
3	32370002121	COVER	1						
4	80172303025	SCREW,MACHINE	2		M3X25				
5	90302040301	WASHER,SPRING	2		3				
6	82104102010	SWITCH,LIMIT	1						
7	32370002131	ROD	1						
8	14148373001	SPRING	1						
9	80601110180	RING,RITAINING	1		S18				
10	34371314400	SUPPORT	1						
11	90303070301	WASHER,PLAIN	2		3				
12	82114101020	CONNECTOR (2P,MALE)	1						
13	82111101010	TERMINAL	2						
14	32370005200	CORD	1						
15	32370005210	CORD	1						
16	82100000592	TERMINAL (M40.3 TO 1.25)	2						
17	89630201000	HOSE,VINYL	1		6X8,1M				
18	14148375000	GROMMET	1						
19	90101208040	BOLT	2		M8X40				
20	90302040801	WASHER,SPRING	2		8				
21	82121102020	HOLDER	1						
22	82100001220	INSULATOR	2						
23	82121101085	PLUG (AVS0.85)	2						
24	82400000201	GROMMET	1		KG-016				
30	32370009512	ROD ASSY	1						
31	32370002150	SPACER	1		L=12 TO 11				
32	80720103014	PIN,SPRING	1		3X14				
50	34371851500	SWITCH (OVER WIND/BOOM)	1						

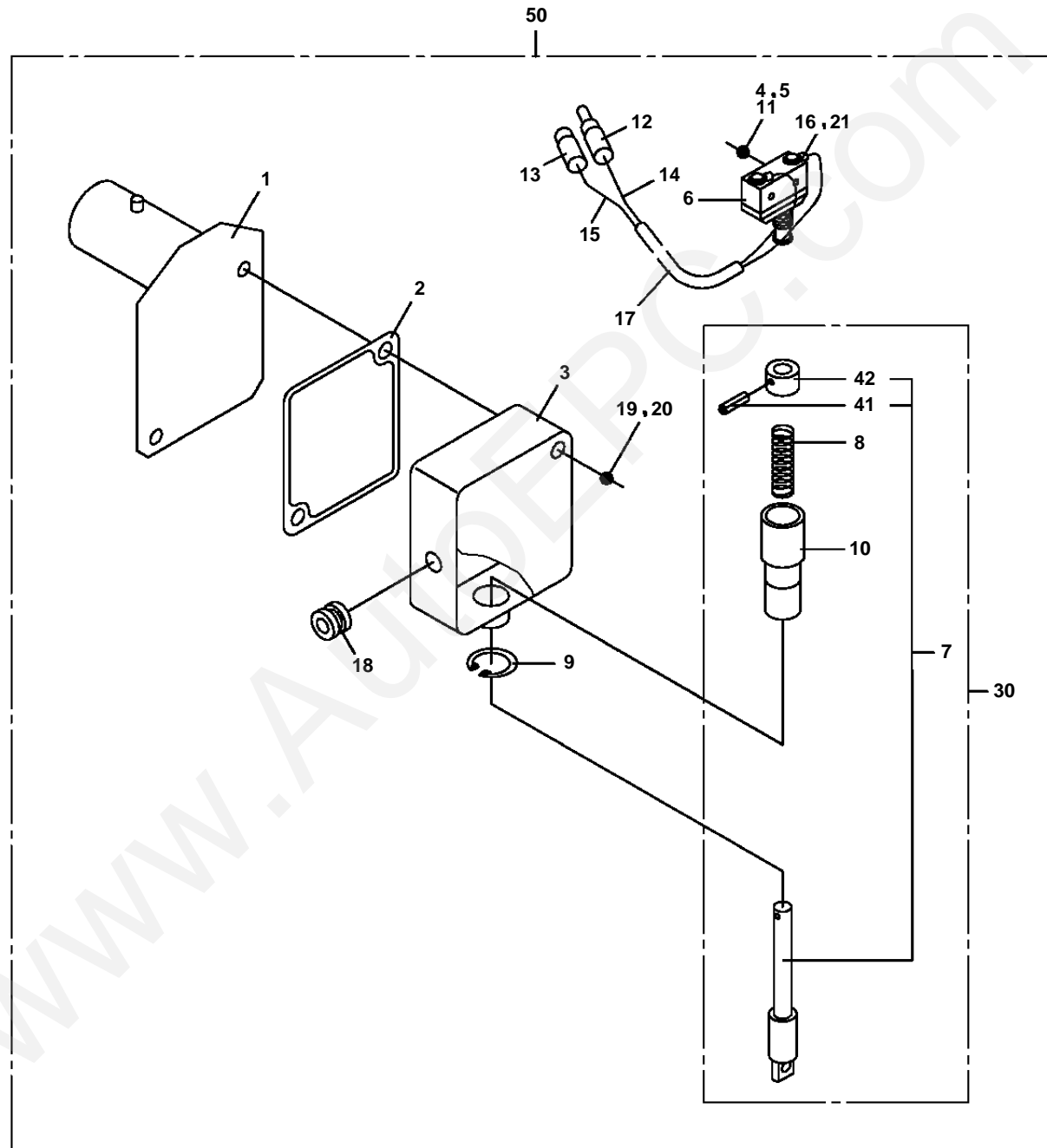
GR-120N-1-00111 12T,X,WINCH(W/O FREE-FALL),JIB(P
PS5540004-00 SWITCH (OVER WIND/JIB & SINGLE TOP)



GR-120N-1-00111 12T,X,WINCH(W/O FREE-FALL),JIB(PT)

Pos No.	Parts No	Parts Name	Qty	Unit	Technical Data	Serial No (Start)	Serial No (End)	Remarks	Pages
1	34371314201	SUPPORT	1						
2	32370002110	GASKET	1						
3	32370002121	COVER	1						
4	80172303025	SCREW,MACHINE	2		M3X25				
5	90302040301	WASHER,SPRING	2		3				
6	82104102010	SWITCH,LIMIT	1						
7	32370002131	ROD	1						
8	14148373001	SPRING	1						
9	80601110180	RING,RITAINING	1		S18				
10	34371314400	SUPPORT	1						
11	90303070301	WASHER,PLAIN	2		3				
12	82100002505	CONNECTOR (CN-6)	1						
13	82100002506	CONNECTOR	1						
14	32370154070	CORD	1						
15	32370154080	CORD	1						
16	82100000592	TERMINAL (M40.3 TO 1.25)	2						
17	89630201000	HOSE,VINYL	1		6X8,1M				
18	14148375000	GROMMET	1						
19	90101208045	BOLT	2		M8X45				
20	90302040801	WASHER,SPRING	2		8				
21	82100001220	INSULATOR	2						
22	82400000201	GROMMET	1		KG-016				
30	32370009512	ROD ASSY	1						
31	32370002150	SPACER	1		L=12 TO 11				
32	80720103014	PIN,SPRING	1		3X14				
50	34371314101	SWITCH (OVER WIND/JIB & SINGLE TOP)	1						

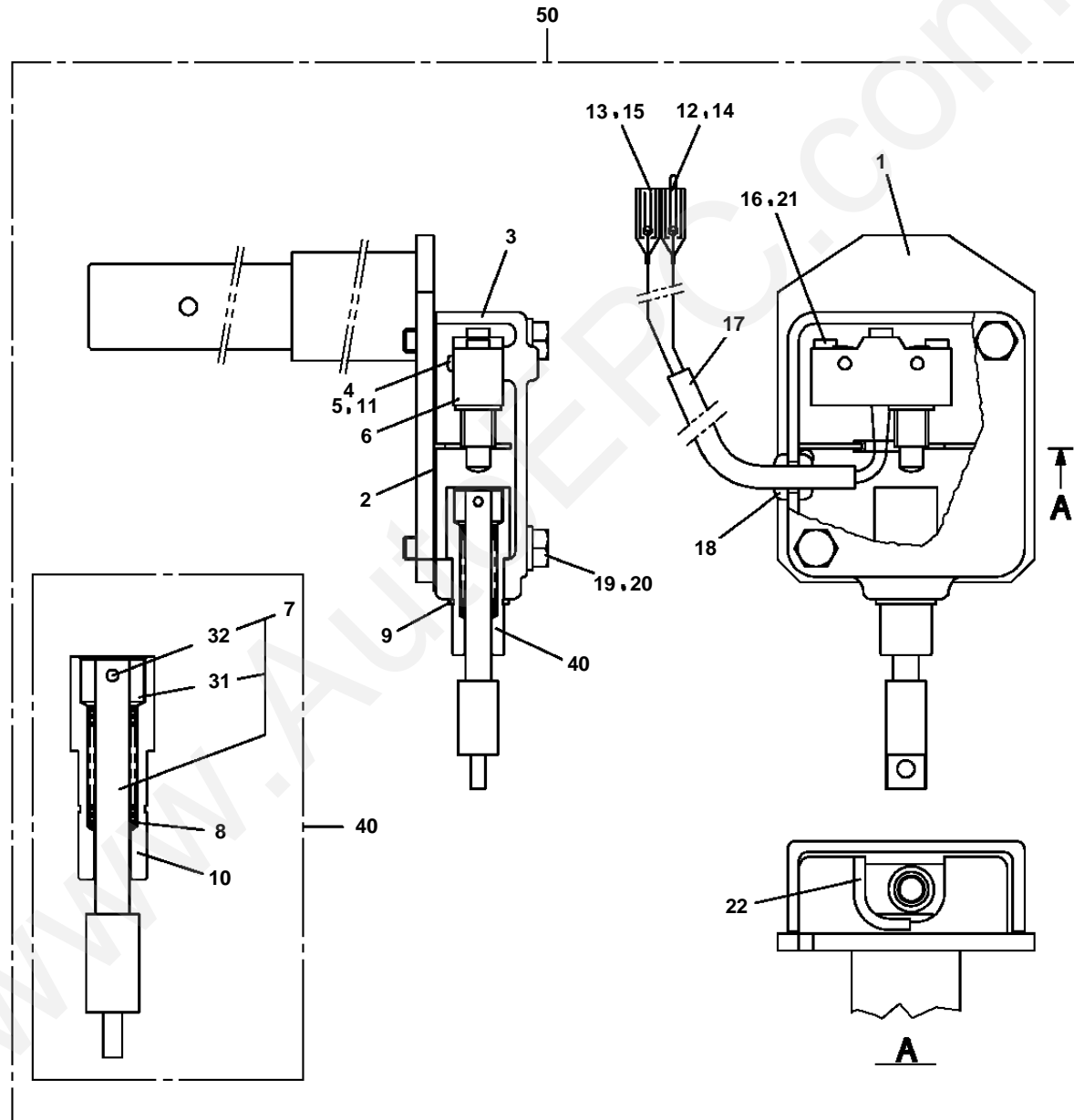
GR-120N-1-00111 12T,X,WINCH(W/O FREE-FALL),JIB(P
PS5540005-00 SWITCH (OVER WIND/JIB & SINGLE TOP)



GR-120N-1-00111 12T,X,WINCH(W/O FREE-FALL),JIB(PT)

Pos No.	Parts No	Parts Name	Qty	Unit	Technical Data	Serial No (Start)	Serial No (End)	Remarks	Pages
1	34372502200	SUPPORT	1						
2	32370002110	GASKET	1						
3	32370002121	COVER	1						
4	80172303025	SCREW,MACHINE	2		M3X25				
5	90302040301	WASHER,SPRING	2		3				
6	82100001355	SWITCH,LIMIT	1						
7	32370002131	ROD	1						
8	14148373001	SPRING	1						
9	80601110180	RING,RITAINING	1		S18				
10	34371314400	SUPPORT	1						
11	90303070301	WASHER,PLAIN	2		3				
12	82100002505	CONNECTOR (CN-6)	1						
13	82100002506	CONNECTOR	1						
14	32370154070	CORD	1						
15	32370154080	CORD	1						
16	82100000592	TERMINAL (M40.3 TO 1.25)	2						
17	89630201000	HOSE,VINYL	1	M	6X8,1M				
18	14148375000	GROMMET	1						
19	90101208045	BOLT	2		M8X45				
20	90302040801	WASHER,SPRING	2		8				
21	82100001220	INSULATOR	2						
30	323700009512	ROD ASSY	1						
41	32370002150	SPACER	1		L=12 TO 11				
42	80720103014	PIN,SPRING	1		3X14				
50	34372502100	SWITCH (OVER WIND/JIB & SINGLE TOP)	1						

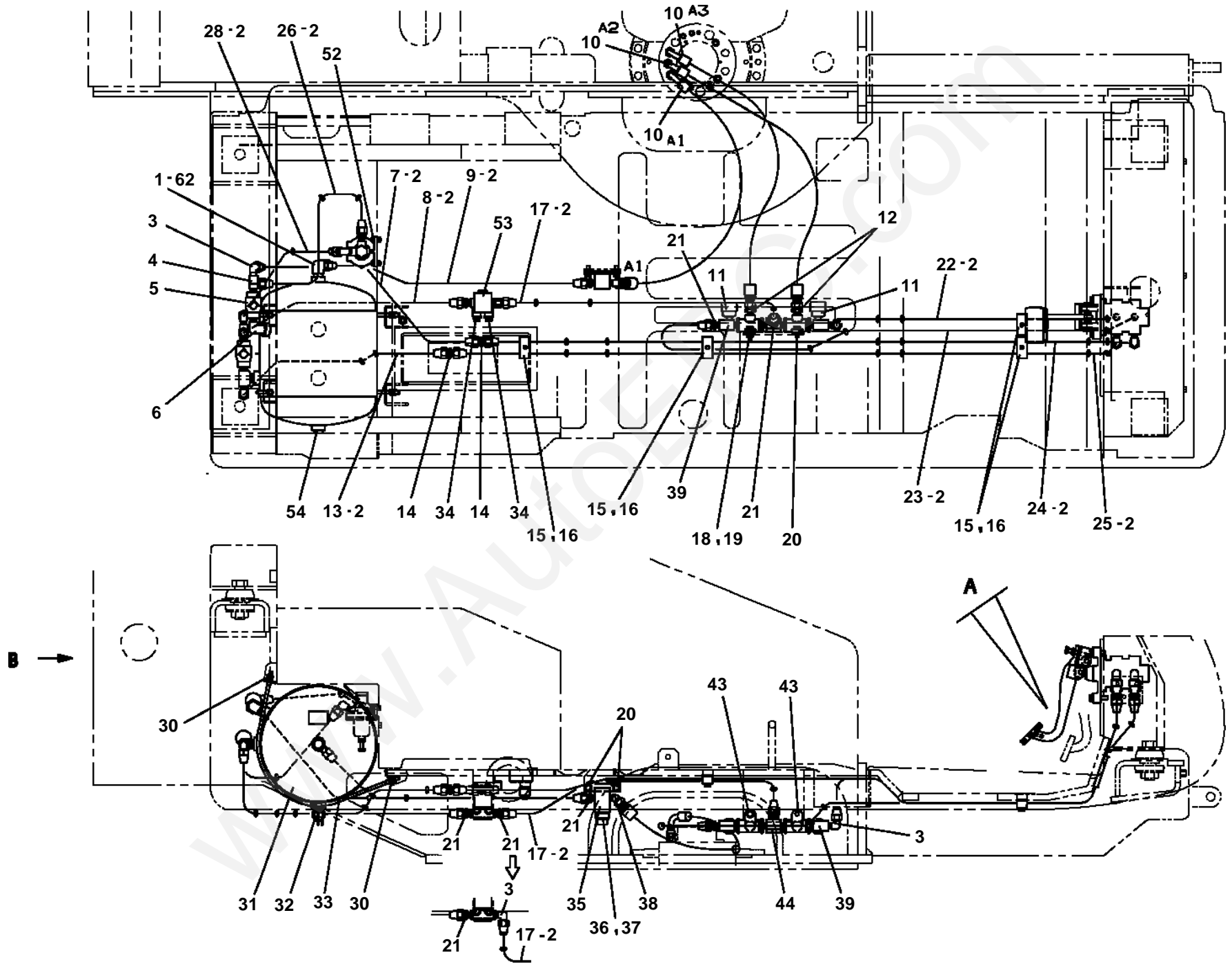
GR-120N-1-00111 12T,X,WINCH(W/O FREE-FALL),JIB(P
PS5540007-00 SWITCH (OVER WIND/JIB & SINGLE TOP)



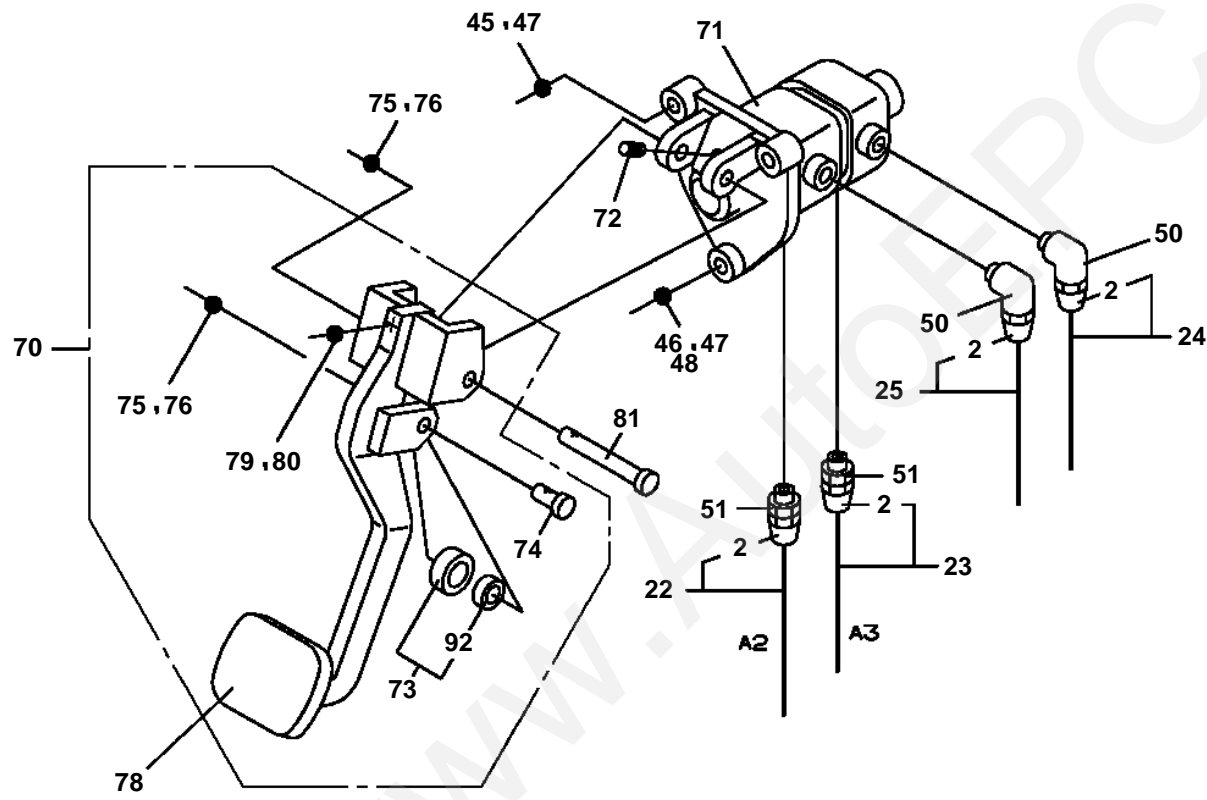
GR-120N-1-00111 12T,X,WINCH(W/O FREE-FALL),JIB(PT)

Pos No.	Parts No	Parts Name	Qty	Unit	Technical Data	Serial No (Start)	Serial No (End)	Remarks	Pages
1	34372502202	SUPPORT	1						
2	32370002110	GASKET	1						
3	32370002121	COVER	1						
4	80172303025	SCREW,MACHINE	2		M3X25				
5	90302040301	WASHER,SPRING	2		3				
6	82104102010	SWITCH,LIMIT	1						
7	32370002131	ROD	1						
8	14148373001	SPRING	1						
9	80601110180	RING,RITAINING	1		S18				
10	34371314400	SUPPORT	1						
11	90303070301	WASHER,PLAIN	2		3				
12	82100002505	CONNECTOR (CN-6)	1						
13	82100002506	CONNECTOR	1						
14	32370154070	CORD	1						
15	32370154080	CORD	1						
16	82100000592	TERMINAL (M40.3 TO 1.25)	2						
17	89630201000	HOSE,VINYL	1		6X8,1M				
18	14148375000	GROMMET	1						
19	90101208045	BOLT	2		M8X45				
20	90302040801	WASHER,SPRING	2		8				
21	82100001220	INSULATOR	2						
22	82400000201	GROMMET	1		KG-016				
31	32370002150	SPACER	1		L=12 TO 11				
32	80720103014	PIN,SPRING	1		3X14				
40	32370009512	ROD ASSY	1						
50	34372502102	SWITCH (OVER WIND/JIB & SINGLE TOP)	1						

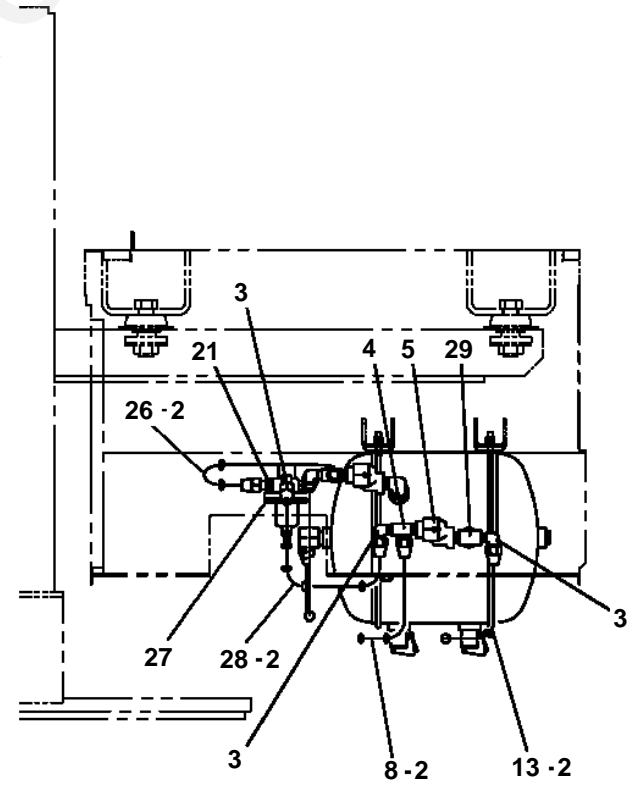
GR-120N-1-00111 12T,X,WINCH(W/O FREE-FALL),JIB(P.T)
PT1010041-01 OPE.ASSY,SERVICE BRAKE



GR-120N-1-00111 12T,X,WINCH(W/O FREE-FALL),JIB(PT)
PT1010041-01 OPE.ASSY,SERVICE BRAKE



A



B

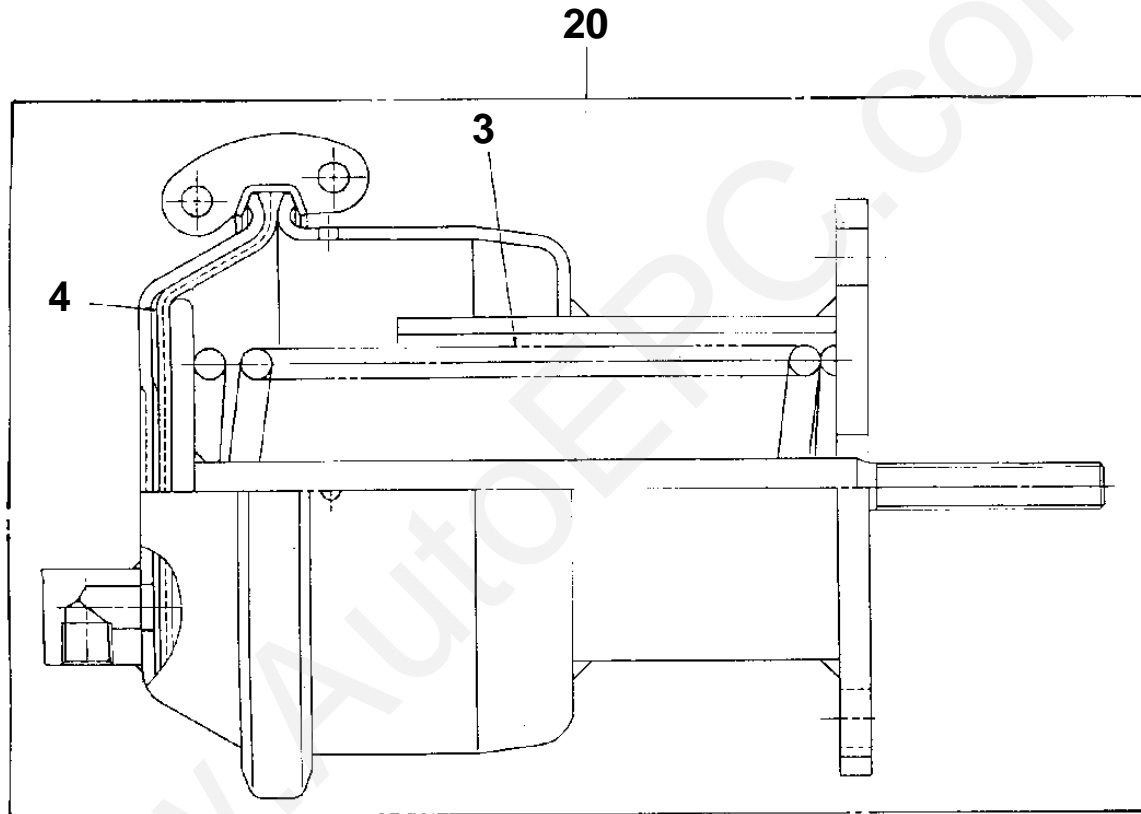
GR-120N-1-00111 12T,X,WINCH(W/O FREE-FALL),JIB(PT)

Pos No.	Parts No	Parts Name	Qty	Unit	Technical Data	Serial No (Start)	Serial No (End)	Remarks	Pages
1	37000921360	JOINT (WITH FILTER)	1		L,PT1/2M16				
2	37000904830	NUT,FLARE	2		M16		FD1007		
	37000904830	NUT,FLARE	2		M16		FD0783		
	37000904830	NUT,FLARE	18		M16				
	37000904830	NUT,FLARE	2		M16	FD0784			
	37000904830	NUT,FLARE	2		M16	FD1008			
3	37000904230	FITTING,ELBOW	5		L,R1/4-M16		FD1007		
	37000904230	FITTING,ELBOW	6		L,R1/4-M16	FD1008			
4	37000907760	JOINT	2		T,PT3/8-PT1/4-M16				
5	59451304000	VALVE,CHECK	2						000123
6	59459001000	JOINT	1		L,PT1/2-PT3/8				
7	34721579510	PIPE ASSY	1		10XT0.7				
8	34721579520	PIPE ASSY	1		10XT0.7				
9	34721579530	PIPE ASSY	1						
10	37002463640	HOSE	3		L=820				
11	36870020000	SWITCH,PRESSURE (AIR/STOP LAMP)	2						
12	80430410450	JOINT	2						
13	34721579540	PIPE ASSY	1		10XT0.7				
14	37000904030	FITTING	2		S,M16-M16				
15	37000711080	CLAMP ASSY	4		12-2				
16	37000300720	SLEEVE	8		12-10				
17	34721579550	PIPE ASSY	1				FD1007		
	34721579640	PIPE ASSY	1		10XT0.7	FD1008			
18	90186208025	BOLT,FLANGE	1		M8X25				
19	90280200800	NUT,FLANGE	1		M8				
20	99171108020	BOLT,TAPPING	3		M8X20				
21	37000903930	FITTING	6		S,R1/4-M16		FD1007		
	37000903930	FITTING	5		S,R1/4-M16	FD1008			
22	34721579560	PIPE ASSY	1		10XT0.7				
23	34721579570	PIPE ASSY	1				FD0783		
	34721579630	PIPE ASSY	1			FD0784			
24	34721579580	PIPE ASSY	1		10XT0.7				
25	34721579590	PIPE ASSY	1		10XT0.7				
26	34721579600	PIPE ASSY	1						
27	36602470000	VALVE,REDUCING	1						000306
28	34721579610	PIPE ASSY	1		10XT0.7				
29	56076813000	JOINT	1		T,PT1/2-PT3/8-PT1/4				
30	90201200800	NUT	8		M8				
31	36102570000	TANK,AIR	1						
32	36610210000	PLUG (DRAIN COCK)	2				FD0431		
	36870390000	PLUG (DRAIN COCK)	2			FD0432			
33	34721570500	BAND	2						
34	90186208020	BOLT,FLANGE	2		M8X20				
35	34343043000	JOINT	1				FD0514		
	34344541000	JOINT	1		T,PT1/4-PT1/4-M14	FD0515			
36	36180010000	SENDER,PRESSURE	1				FD0514		
	36180150000	SENDER,PRESSURE	1			FD0515			
37	91002801600	O-RING	1		1B P16		FD0514		
	91062014011	O-RING	1		1B	FD0515			
38	80430470450	JOINT	1						
39	42340011070	JOINT	2		T,PT1/4-PT1/4-PT1/4				
43	36621760000	VALVE,SHUTTLE	2						000133
44	37000914650	JOINT	1		T,PT/4-PT1/4-PT1/4				
45	90191208030	BOLT	2		M8X30				
46	90303070801	WASHER,PLAIN	1		8				
47	90302040801	WASHER,SPRING	3		8				

GR-120N-1-00111 12T,X,WINCH(W/O FREE-FALL),JIB(PT)

Pos No.	Parts No	Parts Name	Qty	Unit	Technical Data	Serial No (Start)	Serial No (End)	Remarks	Pages
48	90101208040	BOLT	1		M8X40				
50	59459007000	FITTING,ELBOW	2		L,R3/8-M16				
51	37000903420	FITTING	2		S,R3/8-M16				
52	99172106016	BOLT,TAPPING	2		M6X16				
53	36645960000	VALVE ASSY,SOLENOID (ASSY ONLY)	1						
54	80316050080	PLUG	1		NTN/PGCPT1/2				
62	34340021700	FILTER	1						
70	34721208010	PEDAL ASSY	1						
71	36604510000	VALVE,BRAKE	1						000305
72	90710008160	SCREW,SET	1		M8X16				
73	34330161100	ROLLER	1						
74	37000117540	PIN	1						
75	90303071001	WASHER,PLAIN	2		10				
76	80136332016	PIN,SPLIT	2		3.2X16				
78	82400000035	COVER (PEDAL)	1						
79	90102208060	BOLT	1		M8X60				
80	90201200800	NUT	1		M8				
81	37000117490	PIN	1						
92	80804010010	BEARING,PLAIN	1						

GR-120N-1-00111 12T,X,WINCH(W/O FREE-FALL),JIB(P
PT1100001-00 CHAMBER,SPRING

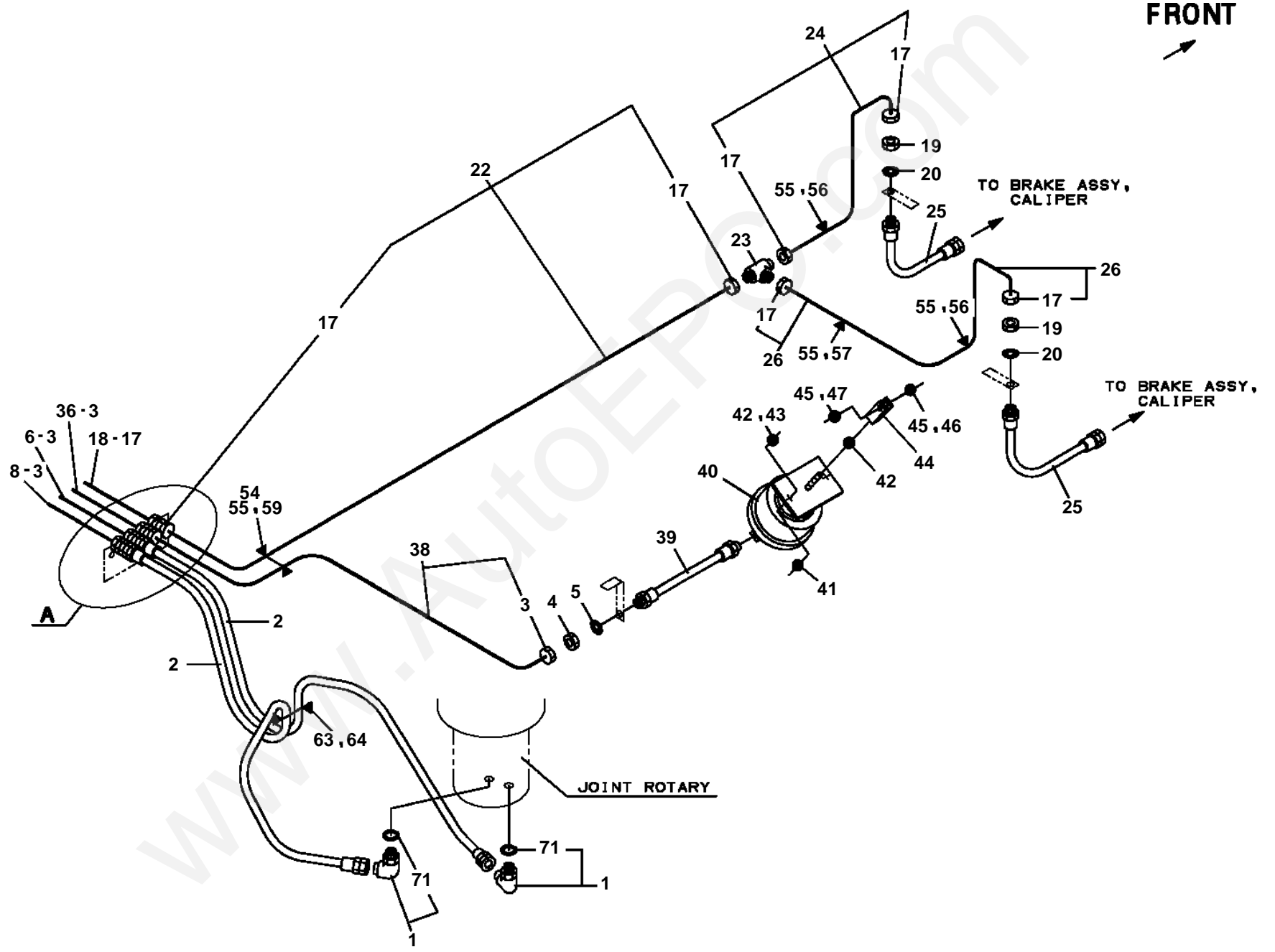


GR-120N-1-00111 12T,X,WINCH(W/O FREE-FALL),JIB(PT)

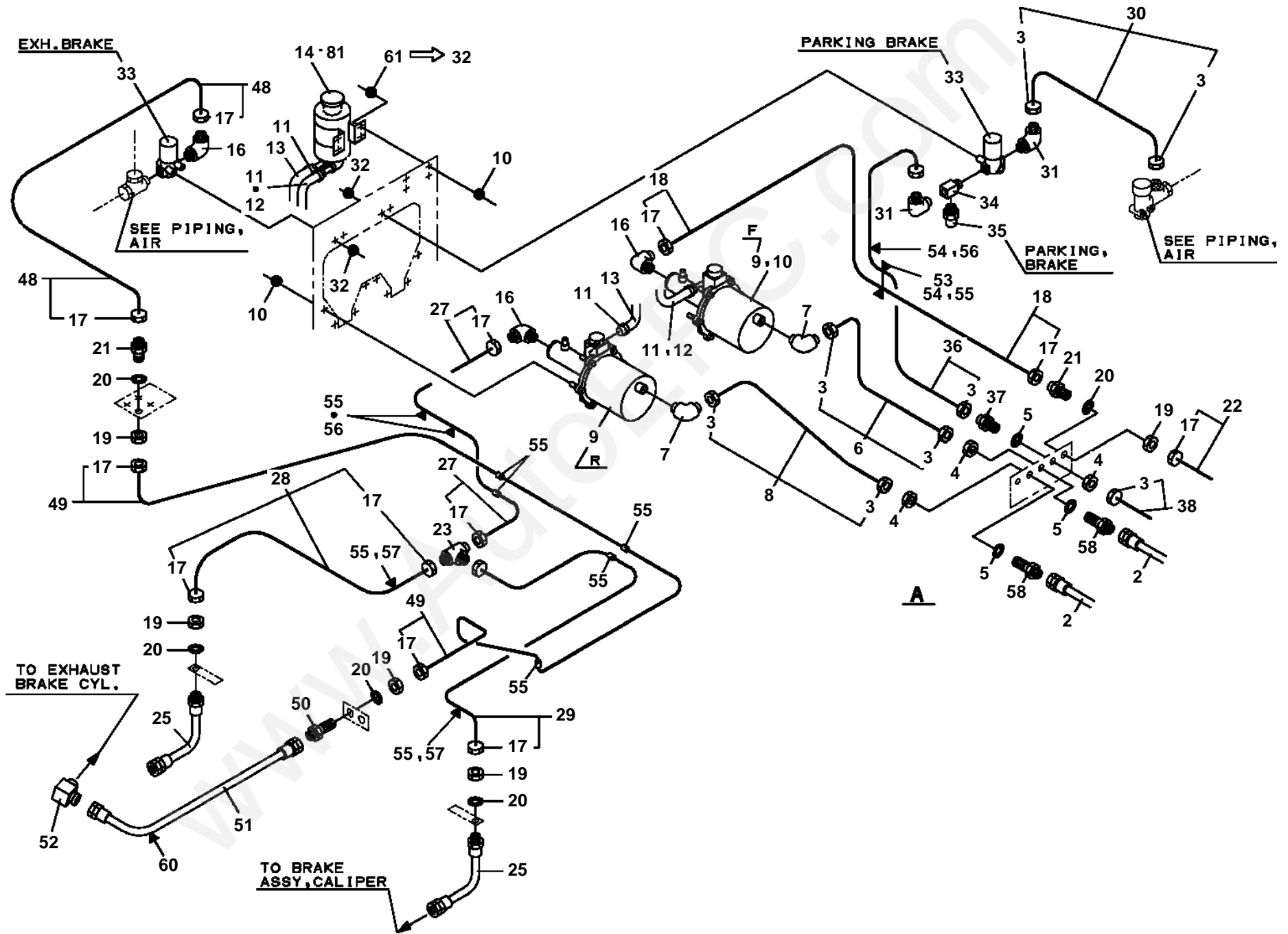
Pos No.	Parts No	Parts Name	Qty	Unit	Technical Data	Serial No (Start)	Serial No (End)	Remarks	Pages
3	36700185020	SPRING	1						
4	36700015010	DIAPHRAGM (NO.16A)	1						
20	36700180000	CHAMBER,SPRING	1						

www.AutoEPC.com

GR-120N-1-00111 12T,X,WINCH(W/O FREE-FALL),JIB(P
PT1200092-02 PIPING,BRAKE



GR-120N-1-00111 12T,X,WINCH(W/O FREE-FALL),JIB(P
PT1200092-02 PIPING,BRAKE



GR-120N-1-00111 12T,X,WINCH(W/O FREE-FALL),JIB(PT)

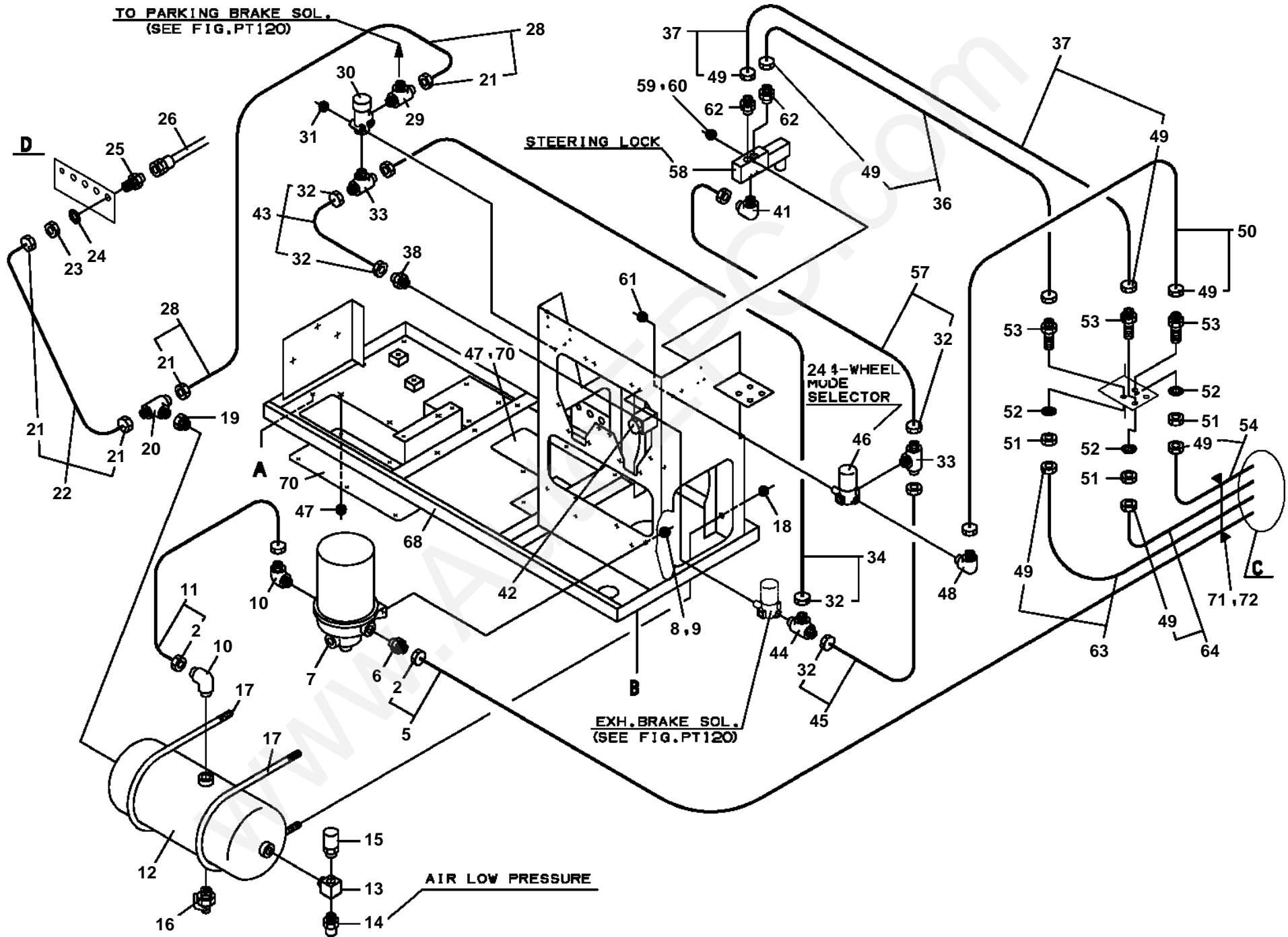
Pos No.	Parts No	Parts Name	Qty	Unit	Technical Data	Serial No (Start)	Serial No (End)	Remarks	Pages
1	80430620400	JOINT	2						
2	37002444790	HOSE,AIR	2		L=600				
3	37000904830	NUT,FLARE	10		M16				
4	90211201600	NUT	4		M16				
5	90304111601	WASHER,TOOTH	4		16				
6	34921708020	PIPE ASSY	1		10XT0.7 L=616				
7	59459007000	FITTING,ELBOW	2		L,R3/8-M16				
8	34921708030	PIPE ASSY	1		10XT0.7 L=712				
9	36870200000	BOOSTER	2						000307
10	90280200800	NUT,FLANGE	8		M8		FD0114		
	90280200800	NUT,FLANGE	12		M8	FD0115			
11	91801300190	CLIP	3		D=16-19				
12	37002512200	HOSE	1						
13	37002512210	HOSE	1						
14	36101650000	TANK,OIL	1						
16	37000901290	FITTING,ELBOW	3		L,R1/4-6.35				
17	37000904810	NUT,FLARE	18		M12				
18	34921708040	PIPE ASSY	1		6.35XT0.7 L=1105				
19	37001601440	NUT	7		M12X1.0				
20	90304111201	WASHER,TOOTH	7		12				
21	37000900731	FITTING	2		S,M12-M12				
22	34921708050	PIPE ASSY	1		6.35XT0.7 L=1135				
23	37000904510	FITTING,TEE	2		T,6.35				
24	34921708060	PIPE ASSY	1		6.35XT0.7 L=778				
25	37002437550	HOSE,BRAKE	4		L=400				
26	34921708070	PIPE ASSY	1						
27	34921708080	PIPE ASSY	1						
28	34921708090	PIPE ASSY	1		6.35XT0.7 L=715				
29	34921708100	PIPE ASSY	1						
30	34921708110	PIPE ASSY	1		10XT0.7 L=330				
31	37000904230	FITTING,ELBOW	2		L,R1/4-M16				
32	90186208020	BOLT,FLANGE	4		M8X20		FD0114		
	90186208020	BOLT,FLANGE	8		M8X20	FD0115			
33	36645960000	VALVE ASSY,SOLENOID (ASSY ONLY)	2						
34	42340011070	JOINT	1		T,PT1/4-PT1/4-PT1/4				
35	36720040000	SWITCH,PRESSURE (LOW AIR)	1						
36	34921708120	PIPE ASSY	1						
37	37000904130	FITTING	1		M16-M16				
38	34921708130	PIPE ASSY	1						
39	37002453050	HOSE,BRAKE	1		L=550				
40	36700180000	CHAMBER,SPRING	1						000302
41	90193212045	BOLT	2		M12X45				
42	90209201200	NUT	5		M12				
43	90303071201	WASHER,PLAIN	2		12				
44	34921701000	END	1						
45	90303071001	WASHER,PLAIN	2		10				
46	37000117540	PIN	1						
47	80136332020	PIN,SPLIT	1		3.2X20				
48	34921708140	PIPE ASSY	1		6.35XT0.7 L=681				
49	34921708150	PIPE ASSY	1						
50	37000909600	FITTING	1		S,G1/4-M12				
51	37002447850	HOSE,AIR	1		L=1060		FD0918		
	37002487430	HOSE	1		L=1060	FD0919			
52	37000903370	JOINT	1		L,G1/4-R1/8				
53	37000711080	CLAMP ASSY	1		12-2				
54	37000300720	SLEEVE	3		12-10				

GR-120N-1-00111 12T,X,WINCH(W/O FREE-FALL),JIB(PT)

Pos No.	Parts No	Parts Name	Qty	Unit	Technical Data	Serial No (Start)	Serial No (End)	Remarks	Pages
55	37000302720	SLEEVE	13		12-6.35		FD0787		
	37000302720	SLEEVE	14		12-6.35	FD0788			
56	37000711000	CLAMP ASSY	4		12-1		FD0787		
	37000711000	CLAMP ASSY	5		12-1	FD0788			
57	37000701500	CLAMP ASSY	3		12X1				
58	37000925170	FITTING	2		S,G1/4-M16				
59	37000701510	CLAMP ASSY	1		12X2				
60	82100002013	CLAMP	1		WRC18		FD0918		
	82100002007	CLAMP	1		WRC10	FD0919			
61	90186208014	BOLT,FLANGE	4		M8X14		FD0114		
63	82100002019	CLAMP	1		WR40	FD0968			
64	90186208014	BOLT,FLANGE	1		M8X14	FD0968			
71	91002801100	O-RING	2		1B P11				
81	36101655010	INDICATOR,LEVEL (REPAIR KIT)	1						

www.AutoEPC.com

GR-120N-1-00111 12T,X,WINCH(W/O FREE-FALL),JIB(P.T)
PT1220055-01 PIPING,AIR



GR-120N-1-00111 12T,X,WINCH(W/O FREE-FALL),JIB(PT)

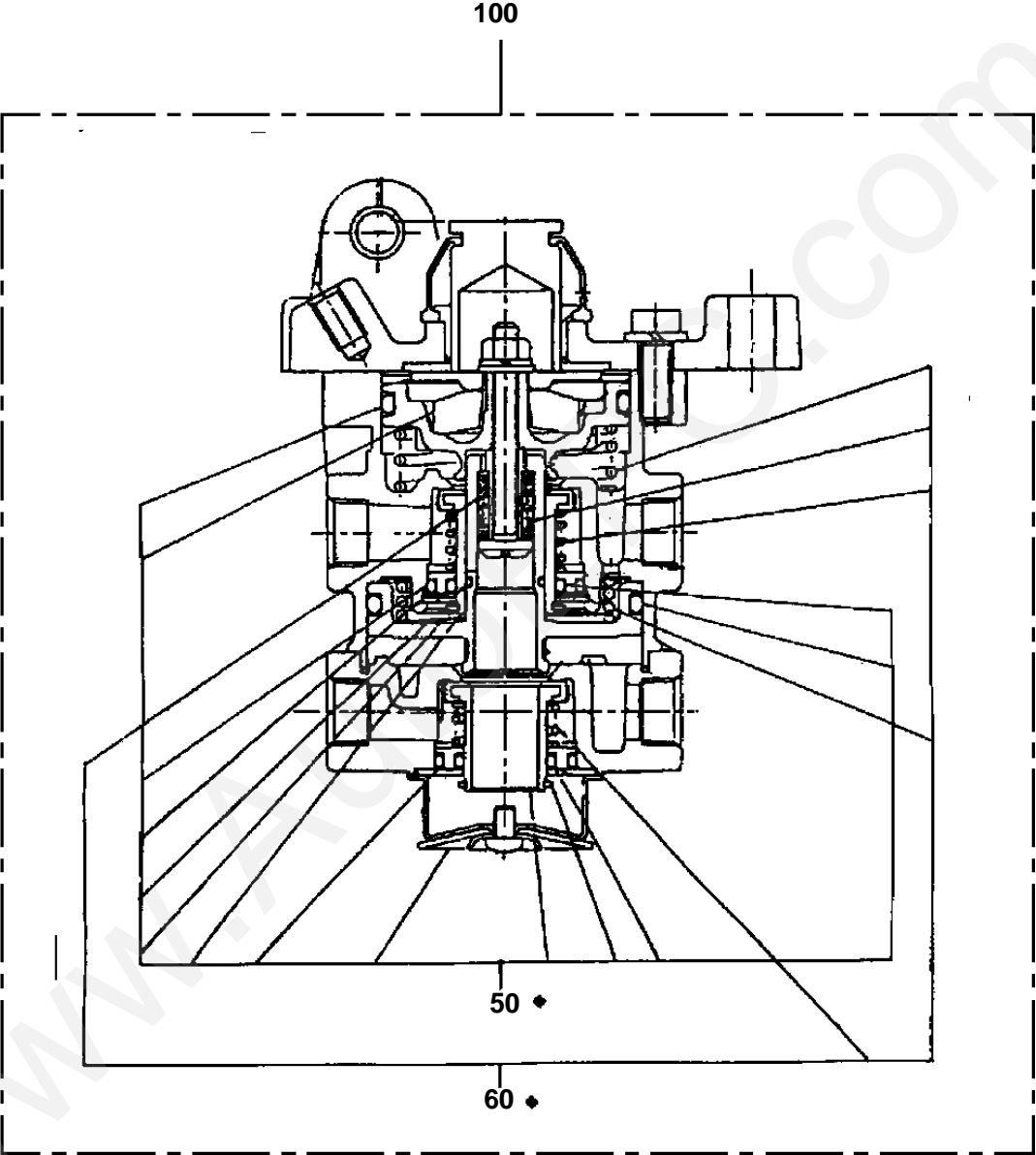
Pos No.	Parts No	Parts Name	Qty	Unit	Technical Data	Serial No (Start)	Serial No (End)	Remarks	Pages
1	37002460950	HOSE	1		L=600				
2	37000904840	NUT,FLARE	4		M20				
3	90304112001	WASHER (LOCK)	1		20				
4	90211202000	NUT	1		M20				
5	34921718030	PIPE ASSY	1						
6	37000910220	FITTING	1		S,R1/2-12				
7	36870370000	DRIER,AIR	1						000308
8	90103210025	BOLT	3		M10X25				
9	90302041001	WASHER,SPRING	3		10				
10	59159035000	FITTING,ELBOW	2		L,R1/2-M20				
11	34921718040	PIPE ASSY	1		12XT0.7 L=429				
12	36101790000	TANK,AIR	1						
13	37000925180	JOINT	1		T,R1/2-R1/4-R1/8				
14	59181005000	SWITCH,PRESSURE (AIR)	1						
15	59451305000	VALVE,SAFETY (ASSY ONLY)	1						
16	36610210000	PLUG (DRAIN COCK)	1						
	36870390000	PLUG (DRAIN COCK)	1			FD0442	FD0441		
17	34921023100	BAND	2						
18	90201200800	NUT	8		M8				
19	80315020060	JOINT,BUSHING	1		S,R1/2-R1/4				
20	37000904330	FITTING,TEE	1		T,R1/4-10-10				
21	37000904830	NUT,FLARE	4		M16				
22	34921718050	PIPE ASSY	1		10XT0.7 L=435				
23	90211201600	NUT	1		M16				
24	90304111601	WASHER,TOOTH	1		16				
25	37000925170	FITTING	1		S,G1/4-M16				
26	37002444790	HOSE,AIR	1		L=600				
27	80430620400	JOINT	1						
28	34921718060	PIPE ASSY	1		10XT0.7 L=644				
29	37000904430	FITTING,TEE	1		T,R1/4-M16-M16				
30	36620450000	VALVE,PRESSURE PROTECTION	1						000132
31	90186206045	BOLT,FLANGE	2		M6X45				
32	37000904820	NUT,FLARE	8		M14				
33	59159047000	FITTING,TEE	2						
34	34921718070	PIPE ASSY	1		8XT0.7 L=894				
35	59459017000	GASKET	1						
36	34921718080	PIPE ASSY	1		6.35XT0.7 L=308				
37	34921718090	PIPE ASSY	1		6.35XT0.7 L=365				
38	59159039000	JOINT,NIPPLE	1						
41	37000910330	FITTING,ELBOW	1		L,R1/4-8				
42	80316040060	PLUG	1		NTN PGDPT3/8				
43	34921718100	PIPE ASSY	1		8XT0.7 L=478				
44	37000913740	FITTING,TEE	1		T,R1/4-8-8				
45	34921718110	PIPE ASSY	1		8XT0.7 L=361				
46	36645970000	VALVE ASSY,SOLENOID (ASSY ONLY)	1						
47	90186208014	BOLT,FLANGE	12		M8X14				
48	37000901290	FITTING,ELBOW	1		L,R1/4-6.35				
49	37000904810	NUT,FLARE	12		M12				
50	34921718120	PIPE ASSY	1		6.35XT0.7 L=327				
51	37001601440	NUT	6		M12X1.0				
52	90304111201	WASHER,TOOTH	6		12				
53	37000900731	FITTING	3		S,M12-M12				
54	34921718130	PIPE ASSY	1		6.35XT0.7 L=1170				
55	37002444770	HOSE,AIR	2		L=450				
56	80430470450	JOINT	1						
57	34921718140	PIPE ASSY	1		8XT0.7 L=449				

GR-120N-1-00111 12T,X,WINCH(W/O FREE-FALL),JIB(PT)

Pos No.	Parts No	Parts Name	Qty	Unit	Technical Data	Serial No (Start)	Serial No (End)	Remarks	Pages
58	36644590000	VALVE,SOLENOID	1						000102
59	90101204040	BOLT	3		M4X40				
60	90302040401	WASHER,SPRING	3		4				
61	90186208020	BOLT,FLANGE	2		M8X20				
62	56476172000	FITTING	2		S,R1/4-M12				
63	34921718150	PIPE ASSY	1						
64	34921718160	PIPE ASSY	1						
65	37002422010	HOSE,AIR	1		L=500				
66	37000903370	JOINT	2		L,G1/4-R1/8				
68	34921718020	SUPPORT ASSY	1						
69	90186210025	BOLT,FLANGE	6		M10X25				
70	34921283500	COVER	2						
71	37000711460	CLAMP ASSY	3		12X6				
72	37000302720	SLEEVE	12		12-6.35				
73	37000711410	CLAMP ASSY	1		12-4				
76	37000701510	CLAMP ASSY	1		12X2				
91	91002801100	O-RING	1		1B P11				
101	37000507690	PLATE	4						
102	37000502370	PLATE	1						
103	37000500290	PLATE	1						
104	37000512030	PLATE	2						
105	34920770390	PLATE	1						
106	37000563790	PLATE	1						
107	37000513530	PLATE	1			FD0784			
109	37000516570	PLATE	1						
110	34921282600	SUPPORT	1						
111	34921712300	PLATE	2						
112	34921712100	SUPPORT	1						
113	34921712200	SUPPORT	1						
114	90155308045	BOLT,WELD	5		M8X45				
115	37000533440	PLATE	1						

GR-120N-1-00111 12T,X,WINCH(W/O FREE-FALL),JIB(P.T)

PT1240004-01 VALVE,BRAKE

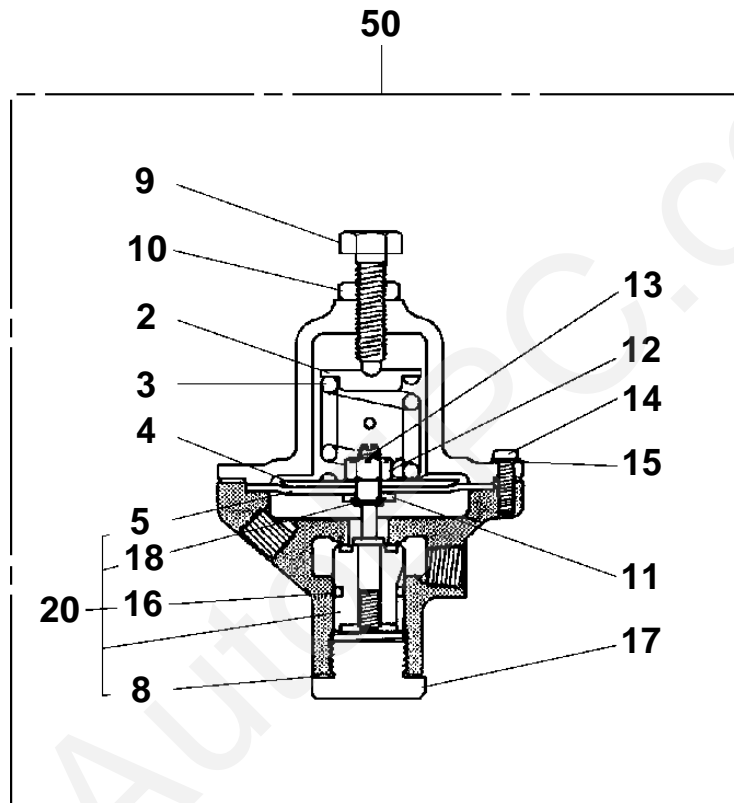


GR-120N-1-00111 12T,X,WINCH(W/O FREE-FALL),JIB(PT)

Pos No.	Parts No	Parts Name	Qty	Unit	Technical Data	Serial No (Start)	Serial No (End)	Remarks	Pages
50	36604515010	VALVE KIT (REPAIR KIT)	1						
60	36601005090	REPAIR KIT (SPRING)	1						
100	36604510000	VALVE,BRAKE	1						

www.AutoEPC.com

GR-120N-1-00111 12T,X,WINCH(W/O FREE-FALL),JIB(P
PT1280001-01 VALVE,REDUCING

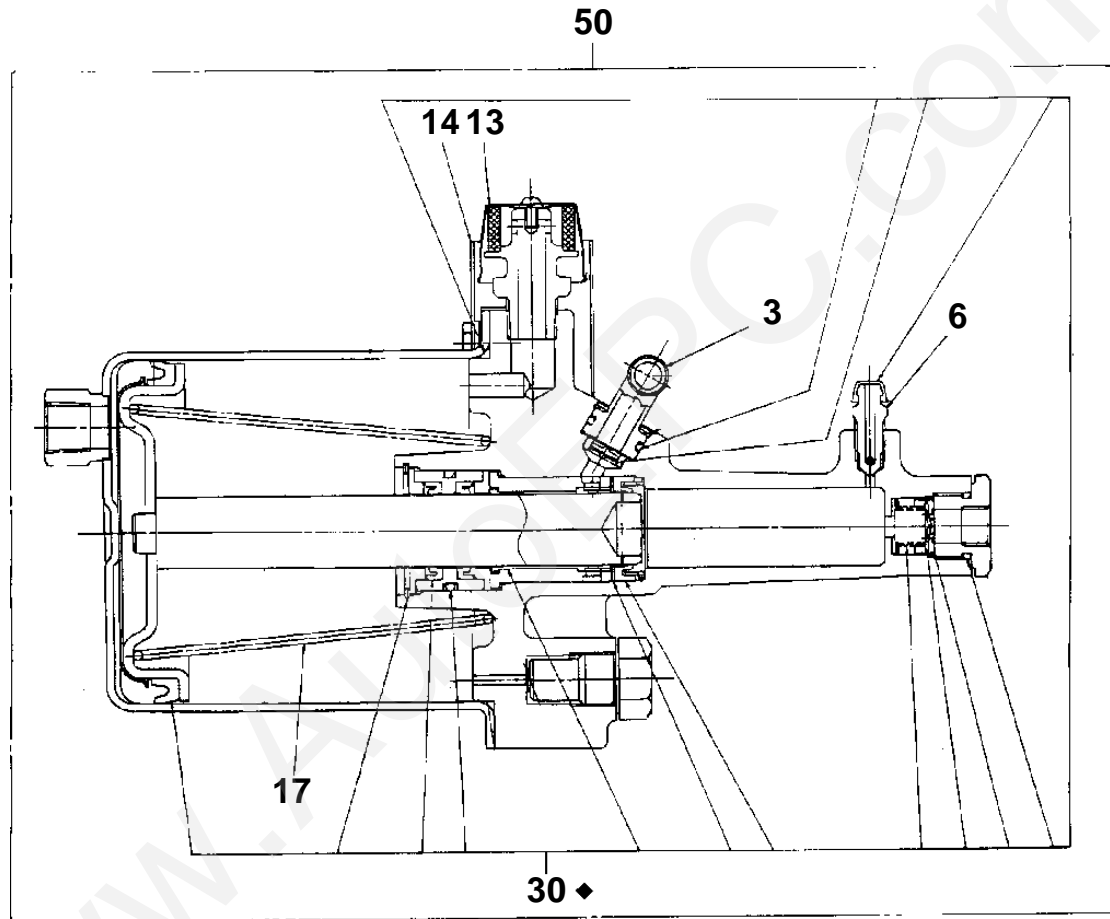


GR-120N-1-00111 12T,X,WINCH(W/O FREE-FALL),JIB(PT)

Pos No.	Parts No	Parts Name	Qty	Unit	Technical Data	Serial No (Start)	Serial No (End)	Remarks	Pages
2	36600945010	SEAT,SPRING	1						
3	36600945020	SPRING	1						
4	36600945030	PLATE	1						
5	36600945040	DIAPHRAGM	1						
8	91001101800	O-RING	1		1A P18				
9	36600955010	BOLT (ADJUSTING)	1						
10	90202200800	NUT	1		M8				
11	36600945070	WASHER (DIAPHRAGM)	1						
12	36600945080	NUT,CASTLE	1		M6				
13	80136012015	PIN,SPLIT	1		1.2X15				
14	80192434016	SCREW,MACHINE	6		M4X16				
16	36600945100	O-RING	1						
17	36600945110	CAP	1						
18	36600945120	PACKING	1						
20	36600955030	VALVE KIT (REPAIR KIT)	1						
50	36602470000	VALVE,REDUCING	1						

www.AutoEPC.com

GR-120N-1-00111 12T,X,WINCH(W/O FREE-FALL),JIB(P
PT1420009-00 BOOSTER



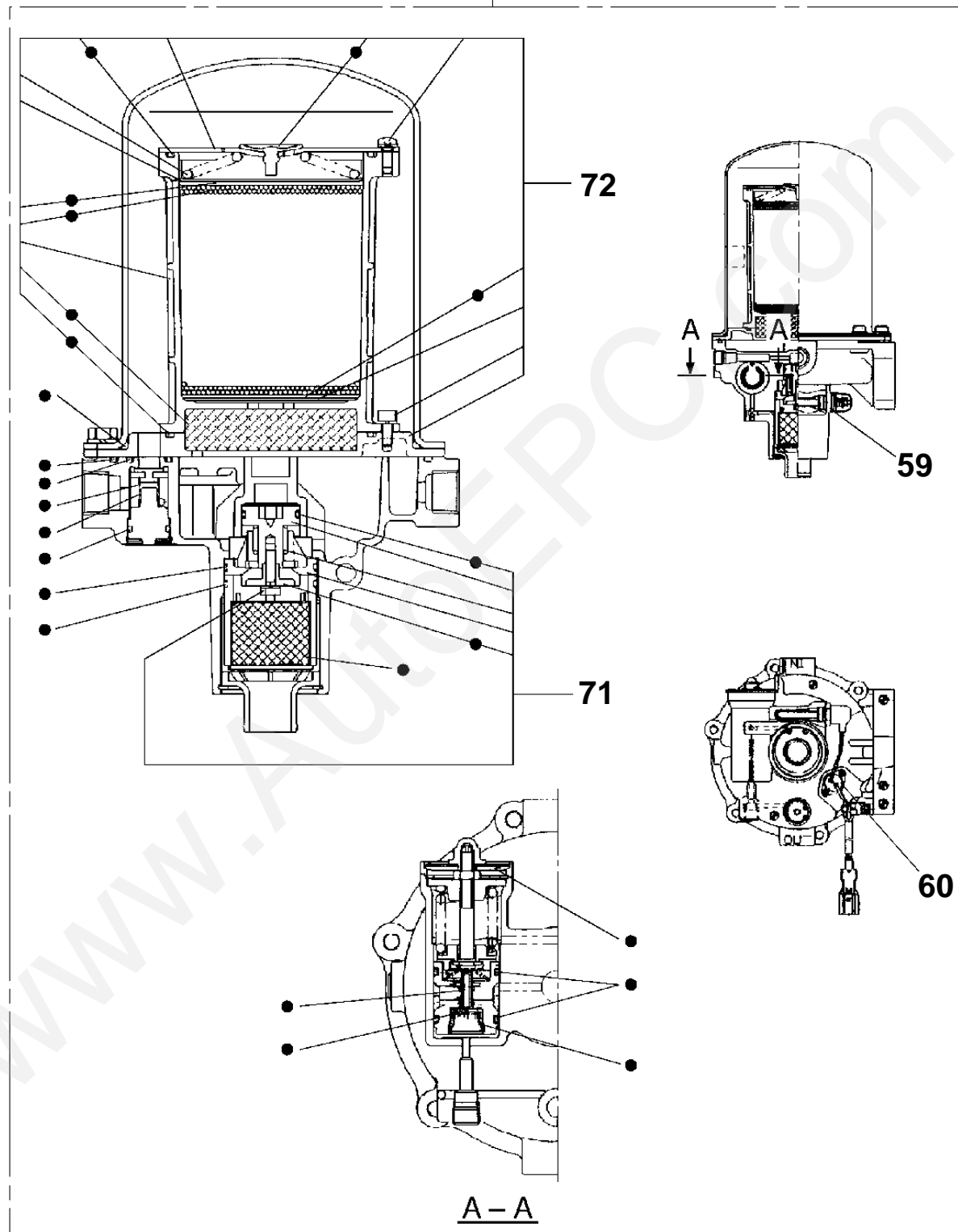
GR-120N-1-00111 12T,X,WINCH(W/O FREE-FALL),JIB(PT)

Pos No.	Parts No	Parts Name	Qty	Unit	Technical Data	Serial No (Start)	Serial No (End)	Remarks	Pages
3	36870205010	NIPPLE	1						
6	36600635050	SCREW (BREATHER)	1						
13	36870205030	BREATHER,AIR	1						
14	36870205040	GUARD,MUD	1						
17	36870205050	SPRING (RETURN)	1						
30	36870205060	PISTON KIT (REPAIR KIT)	1						
50	36870200000	BOOSTER	1						

www.AutoEPC.com

GR-120N-1-00111 12T,X,WINCH(W/O FREE-FALL),JIB(P
PT1430010-00 DRIER,AIR

100



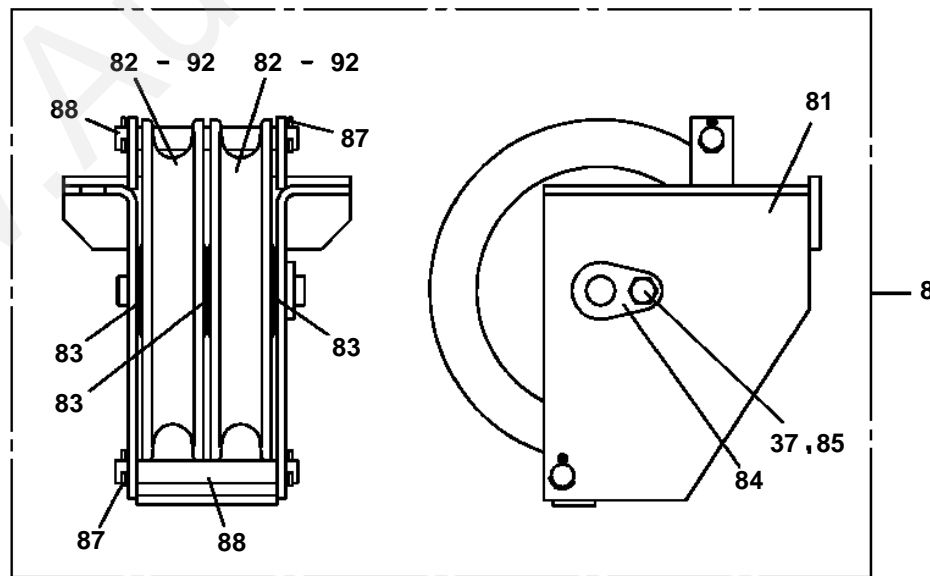
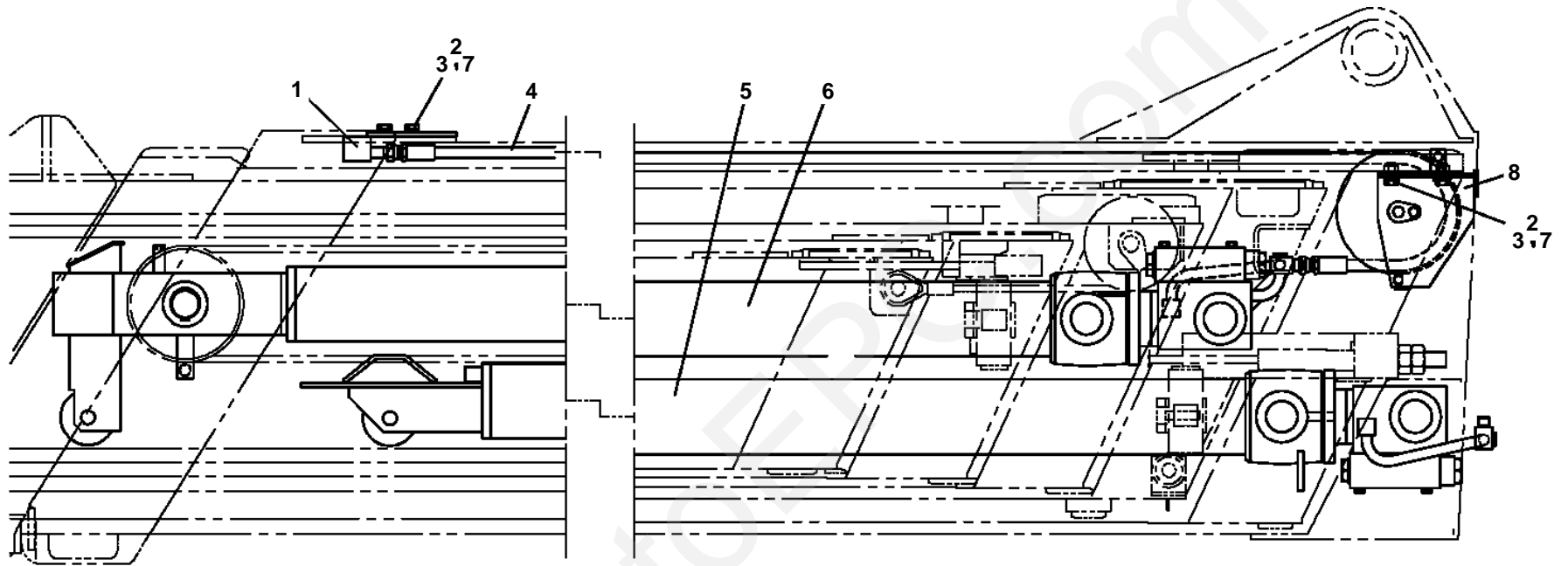
● : REPAIR KIT KEY NO73

GR-120N-1-00111 12T,X,WINCH(W/O FREE-FALL),JIB(PT)

Pos No.	Parts No	Parts Name	Qty	Unit	Technical Data	Serial No (Start)	Serial No (End)	Remarks	Pages
59	36870365030	HEATER	1						
60	36870375020	THERMOSTAT	1						
71	36870365010	VALVE ASSY	1						
72	36870375010	CARTRIDGE	1						
73	36870375030	FILTER (REPAIR KIT)	1				FD0100		
	36870375031	FILTER (REPAIR KIT)	1			FD0101			
100	36870370000	DRIER,AIR	1						

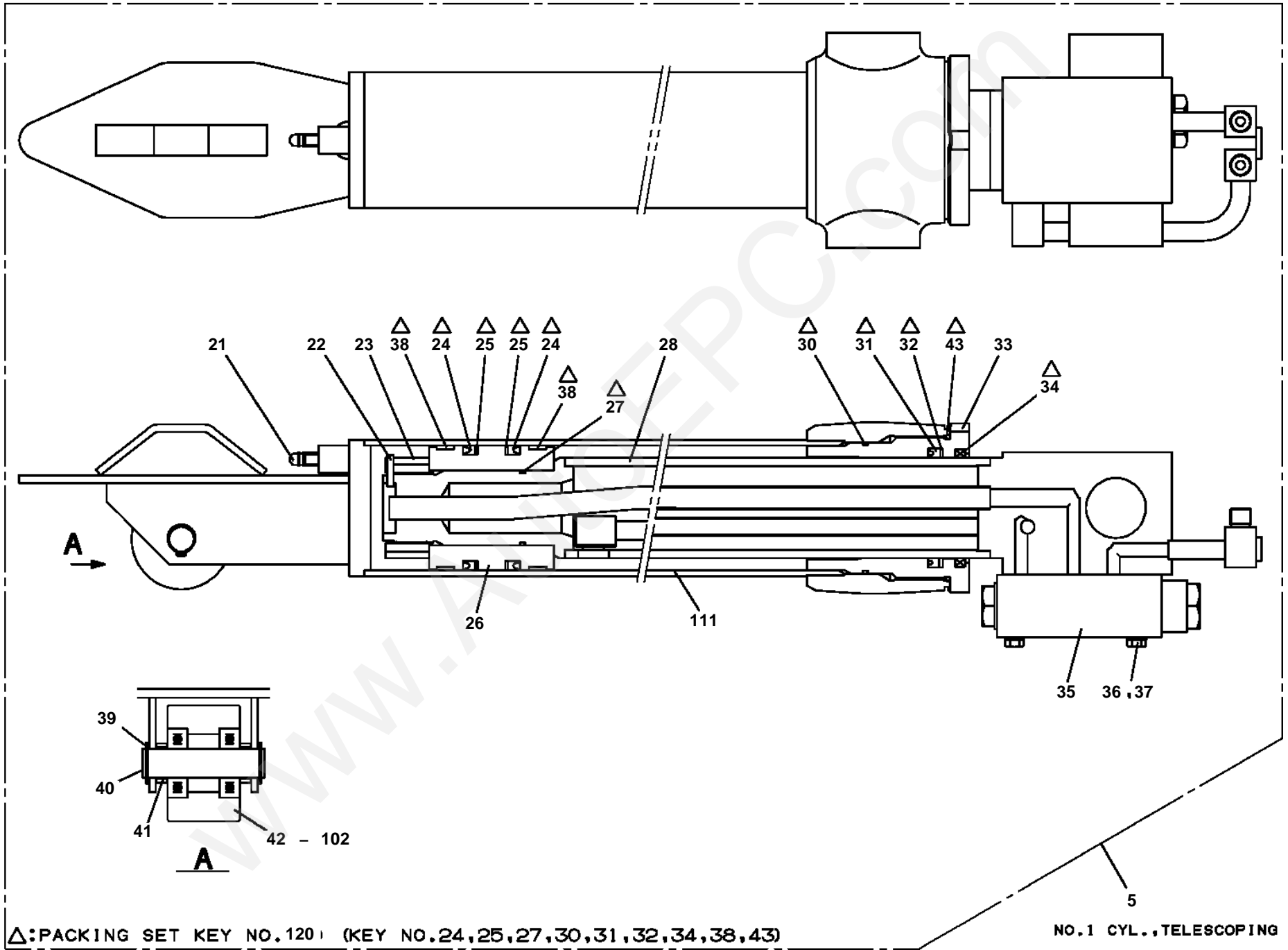
www.AutoEPC.com

GR-120N-1-00111 12T,X,WINCH(W/O FREE-FALL),JIB(P
PT5130001-01 TELESCOPE ASSY

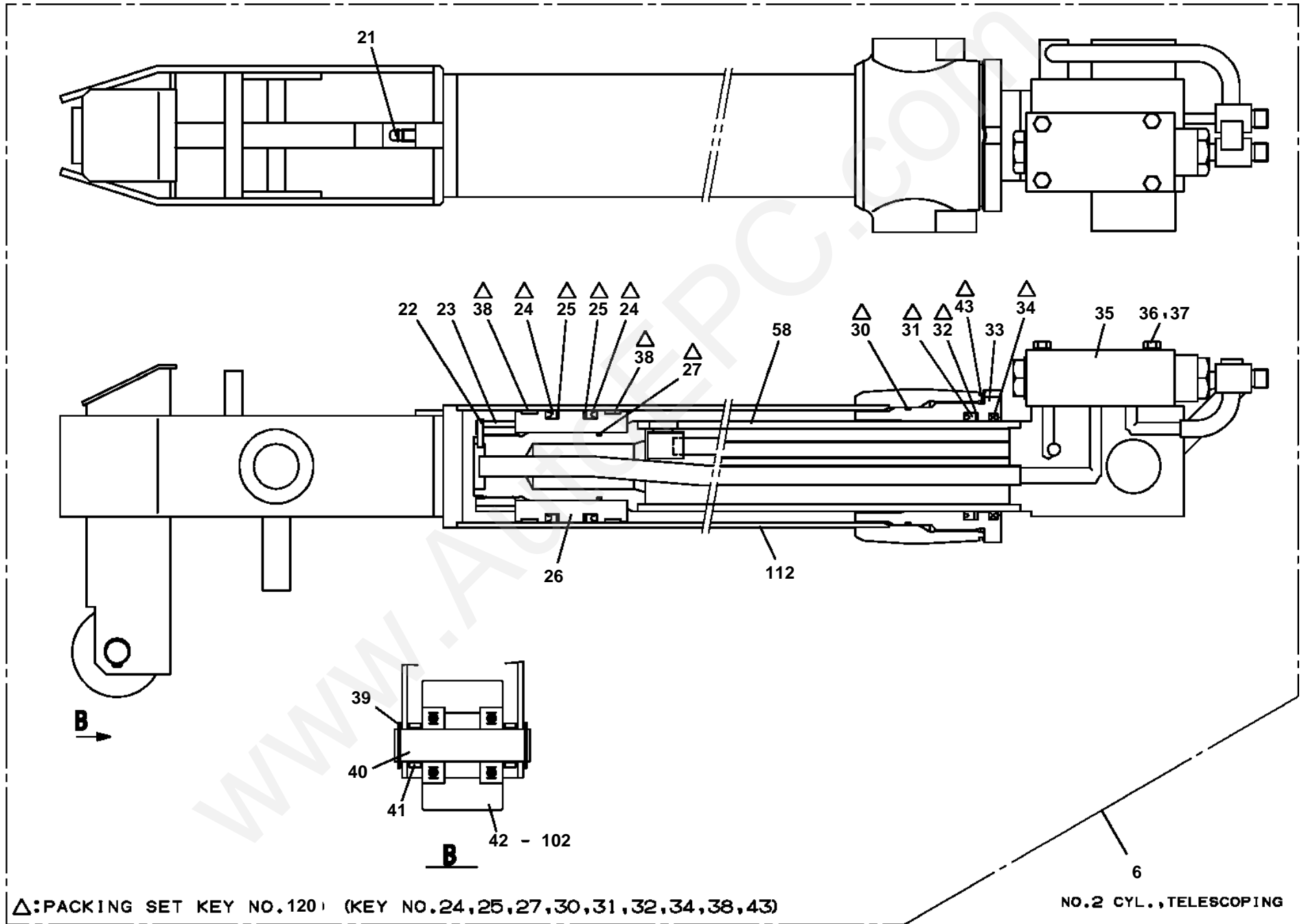


展開図有
ILLUSTRATED BREAKDOWN NO.5,6,

GR-120N-1-00111 12T,X,WINCH(W/O FREE-FALL),JIB(P
 PT5130001-01 TELESCOPE ASSY



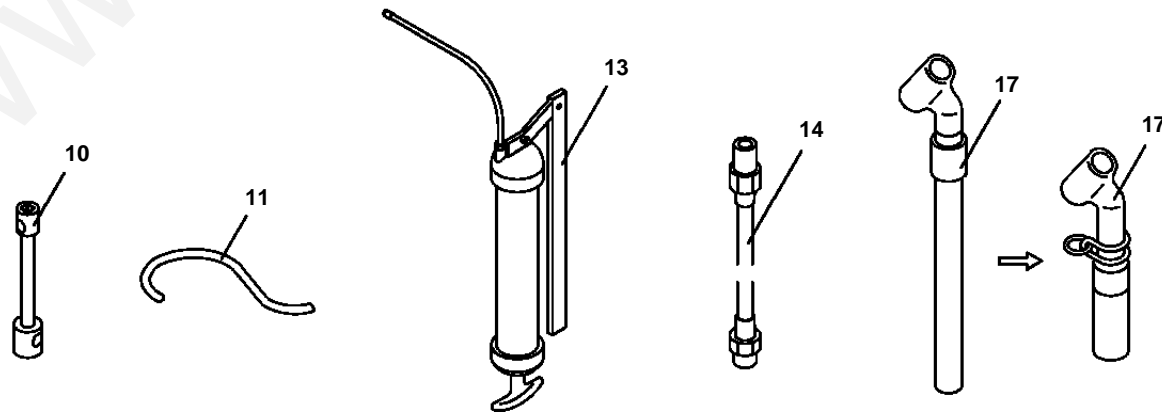
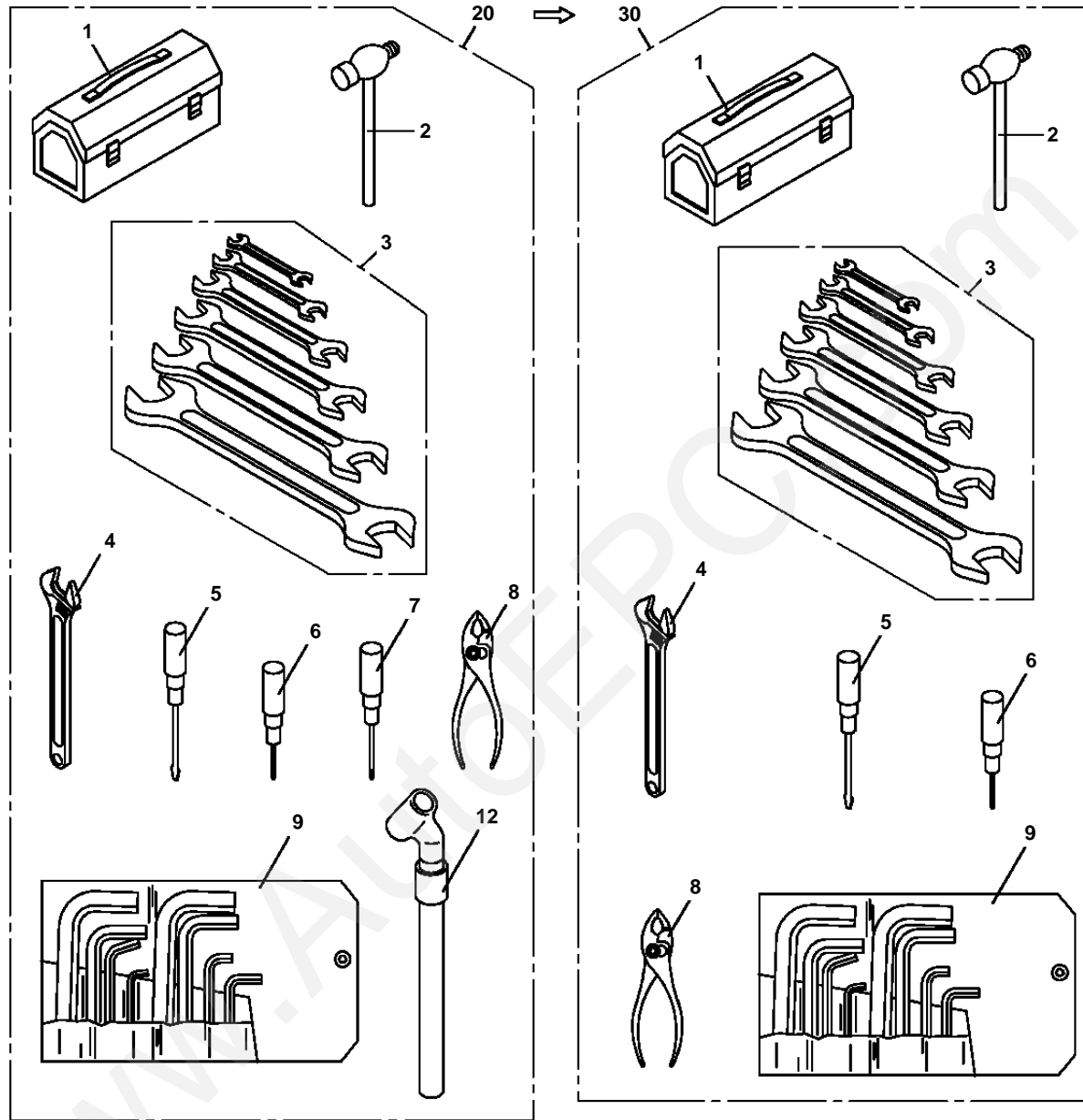
GR-120N-1-00111 12T,X,WINCH(W/O FREE-FALL),JIB(P.T)
 PT5130001-01 TELESCOPE ASSY



GR-120N-1-00111 12T,X,WINCH(W/O FREE-FALL),JIB(PT)

Pos No.	Parts No	Parts Name	Qty	Unit	Technical Data	Serial No (Start)	Serial No (End)	Remarks	Pages
1	34210610100	JOINT	1						
2	90101210025	BOLT	6		M10X25				
3	90302041001	WASHER,SPRING	6		10				
4	37002467660	HOSE,TWIN	1		L=4600				
5	36016300000	CYLINDER,TELESCOPING (NO.1)	1						
6	36016310000	CYLINDER,TELESCOPING (NO.2)	1						
7	90303071001	WASHER,PLAIN	6		10				
8	34210611001	ROLLER ASSY	1						
21	59457138000	PLUG ASSY	2						
22	80720105025	PIN,SPRING	2		5X25		FD1776		
	90730008140	SCREW,SET	2		M8X14	FD1777			
23	36012280050	NUT	2				FD1776		
	37001603030	NUT	2			FD1777			
24	91684010000	PACKING	4						
25	91411208502	RING,BACKUP	4						
26	36014824000	PISTON	2						
27	91002905500	O-RING	2		1B G55				
28	36016302000	ROD	1				FD1776		
	36016302001	ROD	1			FD1777			
30	91002910000	O-RING	2		1B G100				
31	91694008001	PACKING	2						
32	91410208001	RING,BACKUP	2						
33	36016303000	COVER,ROD	2						
34	91660008001	SEAL,DUST	2						
35	36605680000	VALVE,COUNTERBALANCE	2						000136
36	90101508065	BOLT	8		M8X65				
37	90302040801	WASHER,SPRING	9		8				
38	91302210000	BEARING,PLAIN	4						
39	80601110200	RING,RITAINING	4		S20				
40	37000166210	PIN	2						
41	37000302510	SPACER	4		L=7				
42	37001105530	ROLLER ASSY	2						
43	91000524400	O-RING	2		AS568-244				
58	36016312000	ROD	1				FD1776		
	36016312001	ROD	1			FD1777			
81	34210611400	SUPPORT	1						
82	34210611501	SHEAVE ASSY	2						
83	32470502030	SPACER	3						
84	37000166220	PIN	1						
85	90101208012	BOLT	1		M8X12				
87	80136325020	PIN,SPLIT	4		2.5X20				
88	37000169000	PIN	2						
92	80516006002	BEARING,BALL	4						
102	80516006204	BEARING,BALL	4						
111	36016308810	CYLINDER,TELESCOPING (NO.1)	1						
112	36016318810	CYLINDER,TELESCOPING (NO.2)	1						
120	36016309900	PACKING SET	2						

GR-120N-1-00111 12T,X,WINCH(W/O FREE-FALL),JIB(P
PT5160001-00 TOOL ASSY

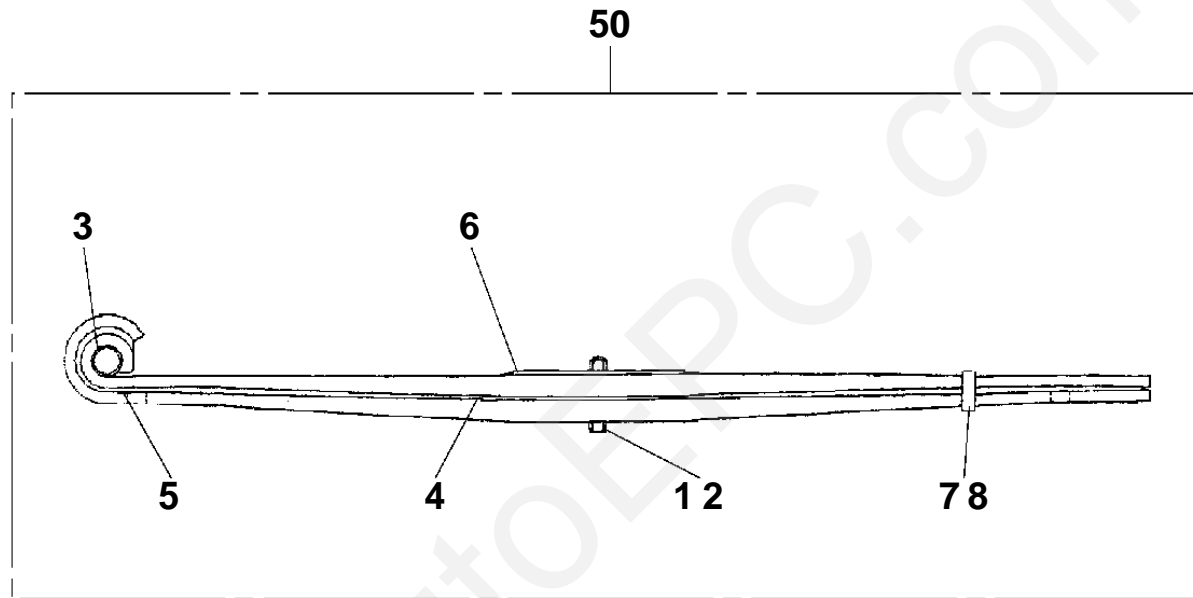


GR-120N-1-00111 12T,X,WINCH(W/O FREE-FALL),JIB(PT)

Pos No.	Parts No	Parts Name	Qty	Unit	Technical Data	Serial No (Start)	Serial No (End)	Remarks	Pages
1	91990151000	BOX,TOOL	1						
2	91992130750	HAMMER	1		680G				
3	91991340000	SPANNER,OPEN-END	1						
4	91991210300	WRENCH,MONKEY	1						
5	91994110200	SCREWDRIVER	1		L=200				
6	91994250002	SCREWDRIVER (+)	1		L=100				
8	91995110200	PLIER (200MM)	1						
9	91991540508	WRENCH SET,HEXAGON	1						
10	91991714120	WRENCH SET,WHEEL NUT	1						
11	19418930010	HOSE	1		5X7X1300				
13	37004100040	PUMP,GREASE (DOMESTIC)	1						
14	37002455450	HOSE	1		L=337				
17	91996100001	GAUGE,TIRE	1				FD0305		
	91996100002	GAUGE,TIRE	1		TV8	FD0306			
30	34460438010	TOOL SET	1						

www.AutoEPC.com

GR-120N-1-00111 12T,X,WINCH(W/O FREE-FALL),JIB(PT)
PU1010006-00 SPRING,LEAF

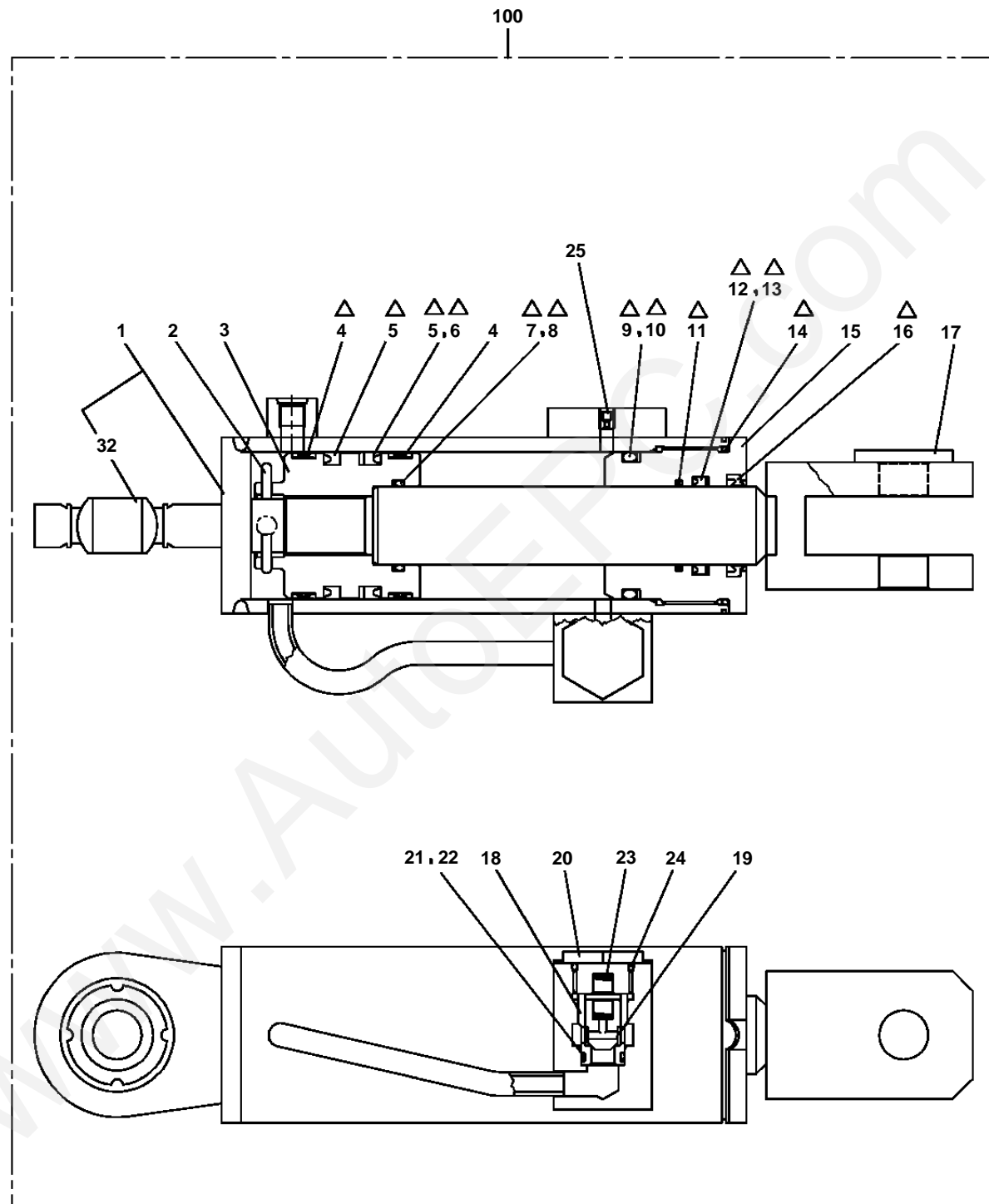


GR-120N-1-00111 12T,X,WINCH(W/O FREE-FALL),JIB(PT)

Pos No.	Parts No	Parts Name	Qty	Unit	Technical Data	Serial No (Start)	Serial No (End)	Remarks	Pages
1	36410265010	BOLT (CENTER)	1						
2	36410195050	NUT	1						
3	36410195060	BUSH	1						
4	36410195070	LEAF (INTER)	1						
5	36410265020	SILENCER	2						
6	36410265030	LEAF	1						
7	36410195080	SEAL	1						
8	36410265040	STRAP	1						
50	36410260000	SPRING,LEAF	1						

www.AutoEPC.com

GR-120N-1-00111 12T,X,WINCH(W/O FREE-FALL),JIB(PT)
PU1050036-00 CYLINDER,SPRING LOCK(FRONT)

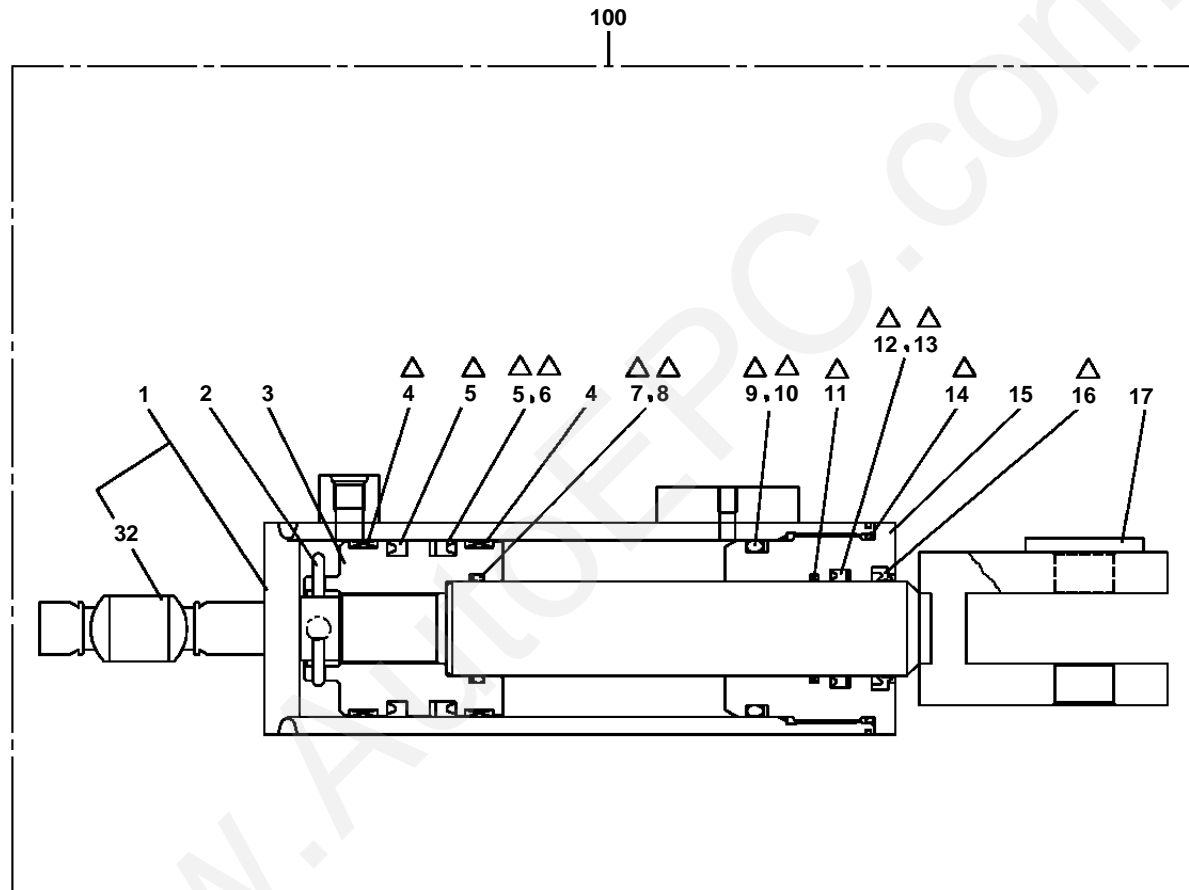


△:PACKING SET KEY NO. 50 (KEY NO.4,5,6,7,8,9,10,11,12,13,14,16)

GR-120N-1-00111 12T,X,WINCH(W/O FREE-FALL),JIB(PT)

Pos No.	Parts No	Parts Name	Qty	Unit	Technical Data	Serial No (Start)	Serial No (End)	Remarks	Pages
1	36062871001	CYLINDER	1						
2	80136350063	PIN,SPLIT	1						
3	36062873000	PISTON	1						
4	91302207500	BEARING,PLAIN	2						
5	91684007501	PACKING	2						
6	91431206201	RING,BACKUP	1						
7	91002804000	O-RING	1		1B P40				
8	91411004000	RING,BACKUP	1		P40				
9	91002806500	O-RING	1		1B P65				
10	91411006500	RING,BACKUP	1						
11	91251100400	RING,DAMPER	1						
12	91694004000	PACKING	1						
13	91410204001	RING,BACKUP	1						
14	91002907500	O-RING	1		1B G75				
15	36062874000	COVER,ROD	1						
16	91660004001	SEAL,DUST	1						
17	36062872000	ROD	1						
18	36062870100	SLEEVE	1						
19	36062870200	POPPET	1						
20	36062870300	PLUG	1						
21	91002801800	O-RING	1		1B P18				
22	91411001800	RING,BACKUP	1		P18				
23	37001201700	SPRING	1						
24	91002802600	O-RING	1		1B P26				
25	42644111200	ORIFICE	1						
32	80544415025	BEARING,SPHERICAL (NMB)	1						
	80542045025	BEARING,SPHERICAL (IKO)	1						
50	36062879900	PACKING SET (40X75)	1						
100	36062870000	CYLINDER,SPRING LOCK(FRONT)	1						

GR-120N-1-00111 12T,X,WINCH(W/O FREE-FALL),JIB(P.T)
PU1050037-00 CYLINDER,SPRING LOCK(REAR)

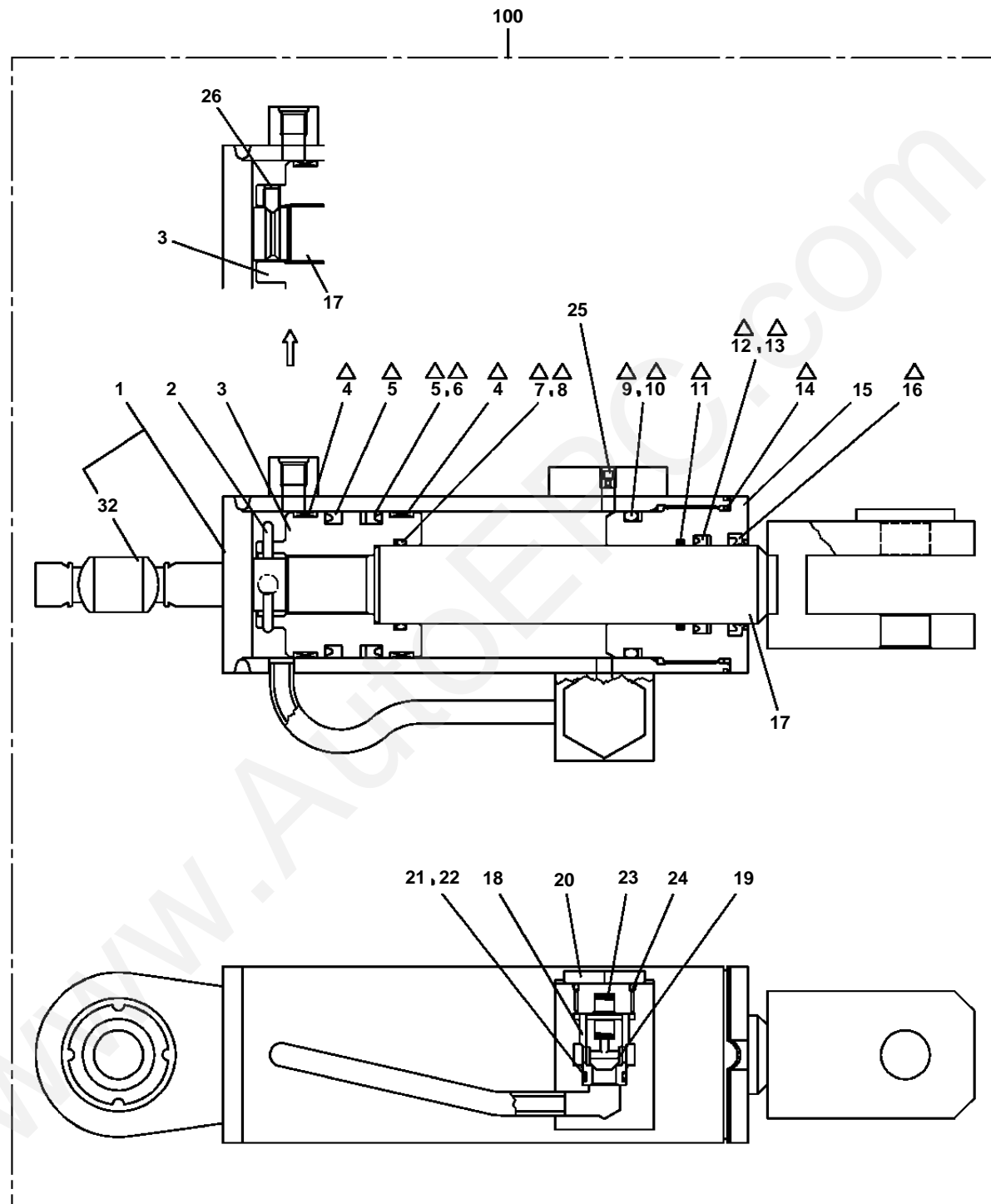


Δ:PACKING SET KEY NO. 50 (KEY NO.4,5,6,7,8,9,10,11,12,13,14,16)

GR-120N-1-00111 12T,X,WINCH(W/O FREE-FALL),JIB(PT)

Pos No.	Parts No	Parts Name	Qty	Unit	Technical Data	Serial No (Start)	Serial No (End)	Remarks	Pages
1	36062931000	CYLINDER	1						
2	80136350063	PIN,SPLIT	1						
3	36062873000	PISTON	1						
4	91302207500	BEARING,PLAIN	2						
5	91684007501	PACKING	2						
6	91431206201	RING,BACKUP	1						
7	91002804000	O-RING	1		1B P40				
8	91411004000	RING,BACKUP	1		P40				
9	91002806500	O-RING	1		1B P65				
10	91411006500	RING,BACKUP	1						
11	91251100400	RING,DAMPER	1						
12	91694004000	PACKING	1						
13	91410204001	RING,BACKUP	1						
14	91002907500	O-RING	1		1B G75				
15	36062874000	COVER,ROD	1						
16	91660004001	SEAL,DUST	1						
17	36062872000	ROD	1						
32	80544415025	BEARING,SPHERICAL (NMB)	1						
	80542045025	BEARING,SPHERICAL (IKO)	1						
50	36062879900	PACKING SET (40X75)	1						
100	36062930000	CYLINDER,SPRING LOCK(REAR)	1						

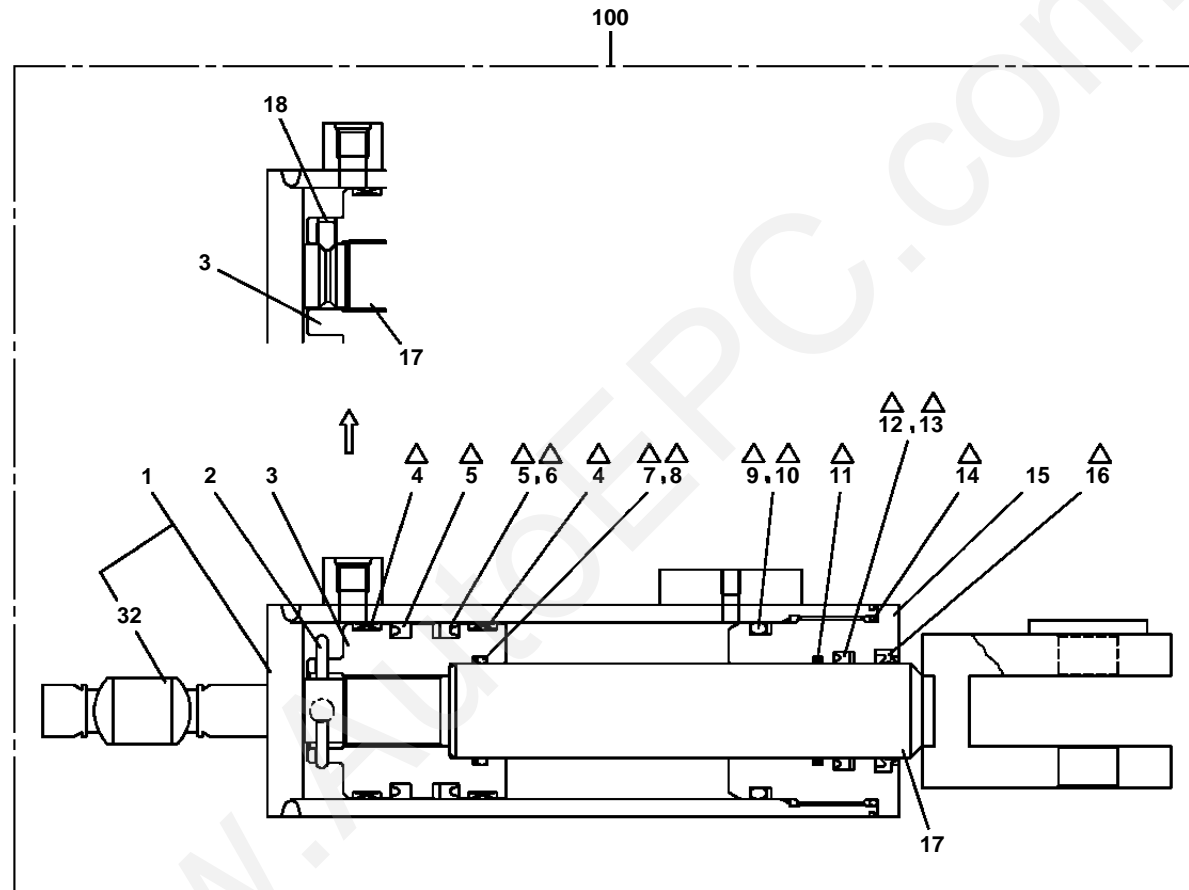
GR-120N-1-00111 12T,X,WINCH(W/O FREE-FALL),JIB(P.T)
 PU1050038-01 CYLINDER,SPRING LOCK(FRONT)



GR-120N-1-00111 12T,X,WINCH(W/O FREE-FALL),JIB(PT)

Pos No.	Parts No	Parts Name	Qty	Unit	Technical Data	Serial No (Start)	Serial No (End)	Remarks	Pages
1	36062871001	CYLINDER	1						
2	80136350063	PIN,SPLIT	1				FD1409		
3	36062873000	PISTON	1				FD1409		
	36062875000	PISTON	1			FD1410			
4	91302207500	BEARING,PLAIN	2						
5	91684007501	PACKING	2						
6	91431206201	RING,BACKUP	1						
7	91002804000	O-RING	1		1B P40				
8	91411004000	RING,BACKUP	1		P40				
9	91002806500	O-RING	1		1B P65				
10	91411006500	RING,BACKUP	1						
11	91251100400	RING,DAMPER	1						
12	91694004000	PACKING	1						
13	91410204001	RING,BACKUP	1						
14	91002907500	O-RING	1		1B G75				
15	36062874000	COVER,ROD	1						
16	91660004001	SEAL,DUST	1						
17	36062872001	ROD	1				FD1409		
	36062872002	ROD	1			FD1410			
18	36062870100	SLEEVE	1						
19	36062870200	POPPET	1						
20	36062870300	PLUG	1						
21	91002801800	O-RING	1		1B P18				
22	91411001800	RING,BACKUP	1		P18				
23	37001201700	SPRING	1						
24	91002802600	O-RING	1		1B P26				
25	42644111200	ORIFICE	1						
26	90730008120	SCREW,SET	1		M8X12	FD1410			
32	80542045025	BEARING,SPHERICAL (IKO)	1						
	80544415025	BEARING,SPHERICAL (NMB)	1						
50	36062879900	PACKING SET (40X75)	1						
100	36062870001	CYLINDER,SPRING LOCK(FRONT)	1						

GR-120N-1-00111 12T,X,WINCH(W/O FREE-FALL),JIB(P
PU1050039-01 CYLINDER,SPRING LOCK(REAR)

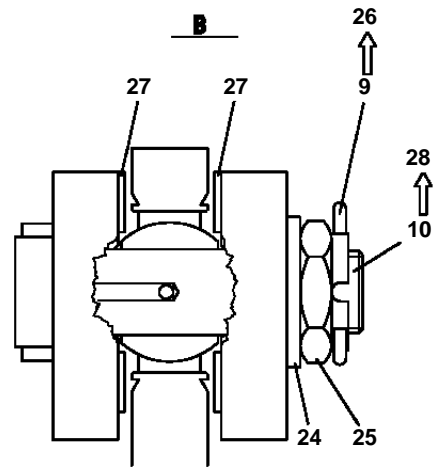
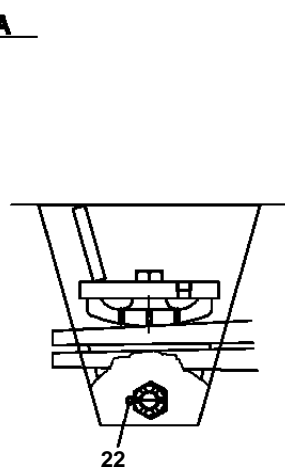
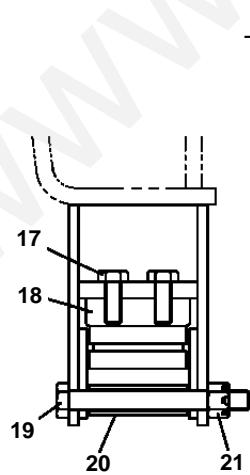
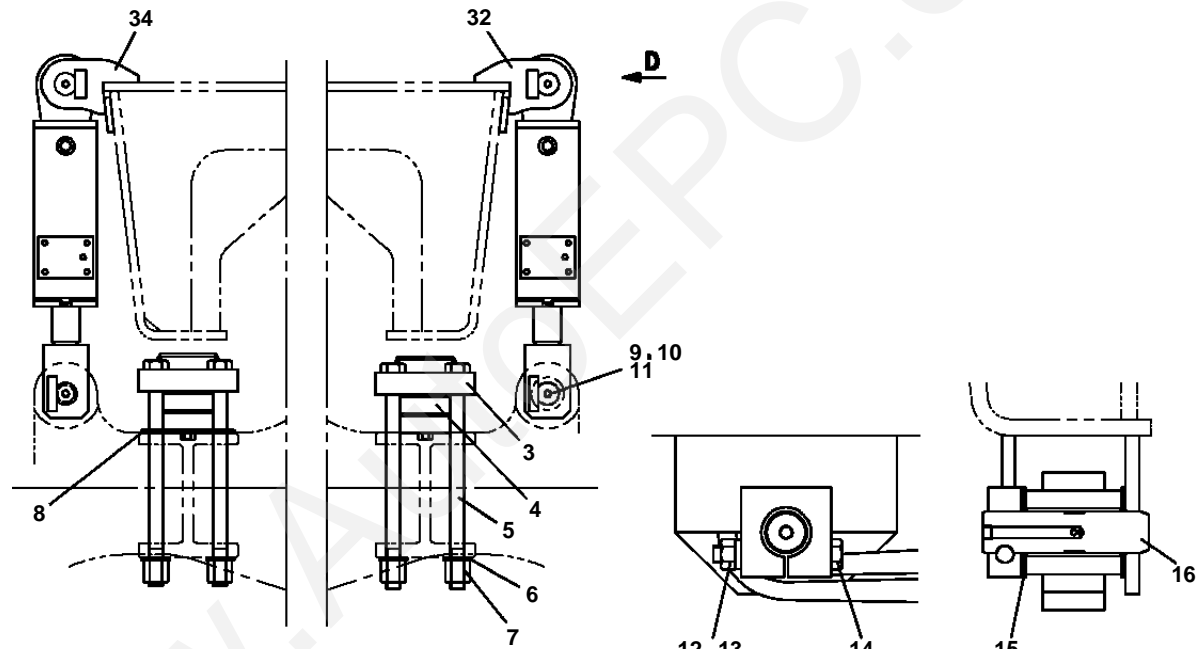
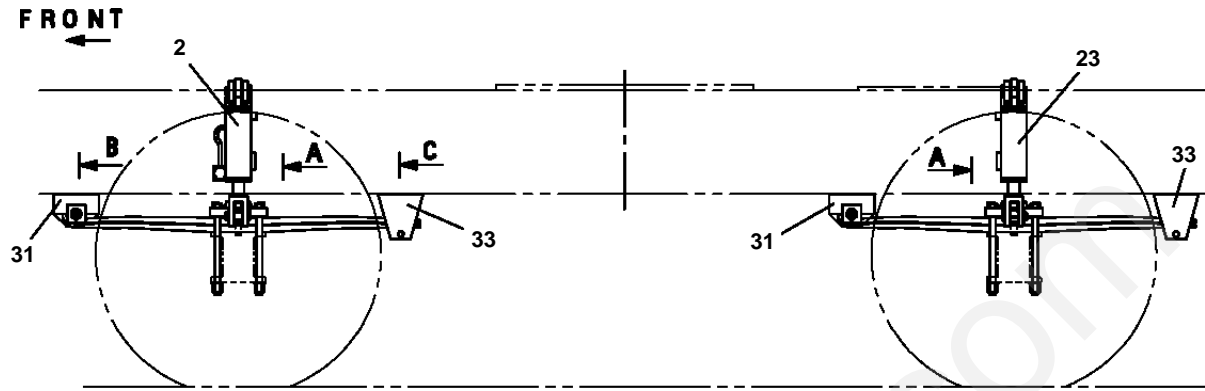


△:PACKING SET KEY NO. 50 (KEY NO.4,5,6,7,8,9,10,11,12,13,14,16)

GR-120N-1-00111 12T,X,WINCH(W/O FREE-FALL),JIB(PT)

Pos No.	Parts No	Parts Name	Qty	Unit	Technical Data	Serial No (Start)	Serial No (End)	Remarks	Pages
1	36062931000	CYLINDER	1						
2	80136350063	PIN,SPLIT	1				FD1409		
3	36062873000	PISTON	1				FD1409		
	36062875000	PISTON	1			FD1410			
4	91302207500	BEARING,PLAIN	2						
5	91684007501	PACKING	2						
6	91431206201	RING,BACKUP	1						
7	91002804000	O-RING	1		1B P40				
8	91411004000	RING,BACKUP	1		P40				
9	91002806500	O-RING	1		1B P65				
10	91411006500	RING,BACKUP	1						
11	91251100400	RING,DAMPER	1						
12	91694004000	PACKING	1						
13	91410204001	RING,BACKUP	1						
14	91002907500	O-RING	1		1B G75				
15	36062874000	COVER,ROD	1						
16	91660004001	SEAL,DUST	1						
17	36062872001	ROD	1				FD1409		
	36062872002	ROD	1			FD1410			
18	90730008120	SCREW,SET	1		M8X12	FD1410			
32	80542045025	BEARING,SPHERICAL (IKO)	1						
	80544415025	BEARING,SPHERICAL (NMB)	1						
50	36062879900	PACKING SET (40X75)	1						
100	36062930001	CYLINDER,SPRING LOCK(REAR)	1						

GR-120N-1-00111 12T,X,WINCH(W/O FREE-FALL),JIB(PT)
PU1100051-01 MOUNT,SUSPENSION



A

B

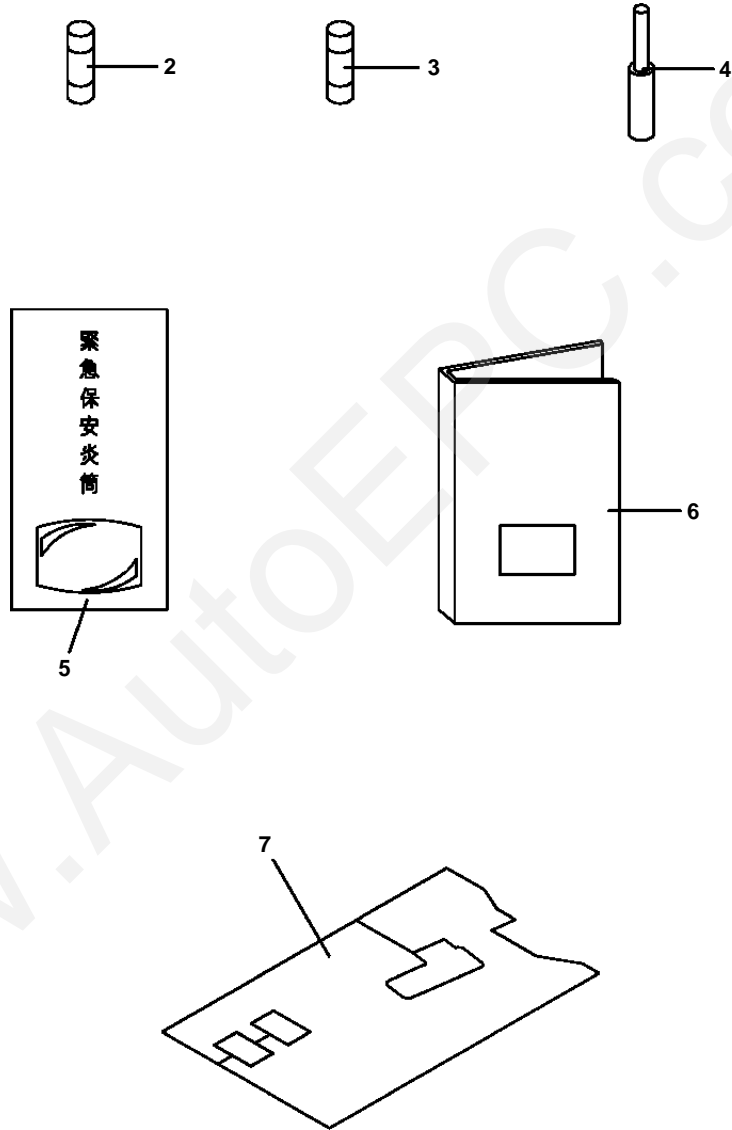
C

D

GR-120N-1-00111 12T,X,WINCH(W/O FREE-FALL),JIB(PT)

Pos No.	Parts No	Parts Name	Qty	Unit	Technical Data	Serial No (Start)	Serial No (End)	Remarks	Pages
2	36062870000	CYLINDER,SPRING LOCK(FRONT)	2				FD0086		000312
	36062870001	CYLINDER,SPRING LOCK(FRONT)	2			FD0087			000314
3	34790202000	SUPPORT	4						
4	36410260000	SPRING,LEAF	4						000311
5	37001506820	BOLT	16		M20X310				
6	90303502001	WASHER,PLAIN	16		20				
7	37001602180	NUT	16		M20				
8	34790251500	PLATE	2						
9	80136350040	PIN,SPLIT	4		5X40				
10	37000177740	PIN	8				FD0086		
	37000180730	PIN	4		D25X81				
11	37000528080	PLATE	4		T=3.2				
12	90210201200	NUT	4		M12				
13	90302041201	WASHER,SPRING	4		12				
14	59160552001	BOLT	4		M12X85				
15	37000308930	SPACER	8		L=2.8				
16	37000155650	PIN	4						
17	90103512030	BOLT	8		M12X30				
18	34790442000	PLATE,SLIDE	4						
19	37001506810	BOLT	4		M14X130				
20	37000308920	SPACER	4		L=73.5				
21	90236201409	NUT,CASTLE	4		M14X1.5				
22	80136332028	PIN,SPLIT	4		3.2X28				
23	36062930000	CYLINDER,SPRING LOCK(REAR)	2				FD0086		000313
	36062930001	CYLINDER,SPRING LOCK(REAR)	2			FD0087			000315
24	90303132401	WASHER,PLAIN	4		24				
25	90236252408	NUT,CASTLE	4		M24				
26	80136350045	PIN,SPLIT	4		5X45				
27	37000579440	PLATE	8						
28	37000182320	PIN	4						
31	34790441100	SUPPORT	4						
32	34790441300	SUPPORT	2						
33	34790441200	SUPPORT	4						
34	34790441400	SUPPORT	2						

GR-120N-1-00111 12T,X,WINCH(W/O FREE-FALL),JIB(P.T)
PW1010409-00 ACCESSORIES

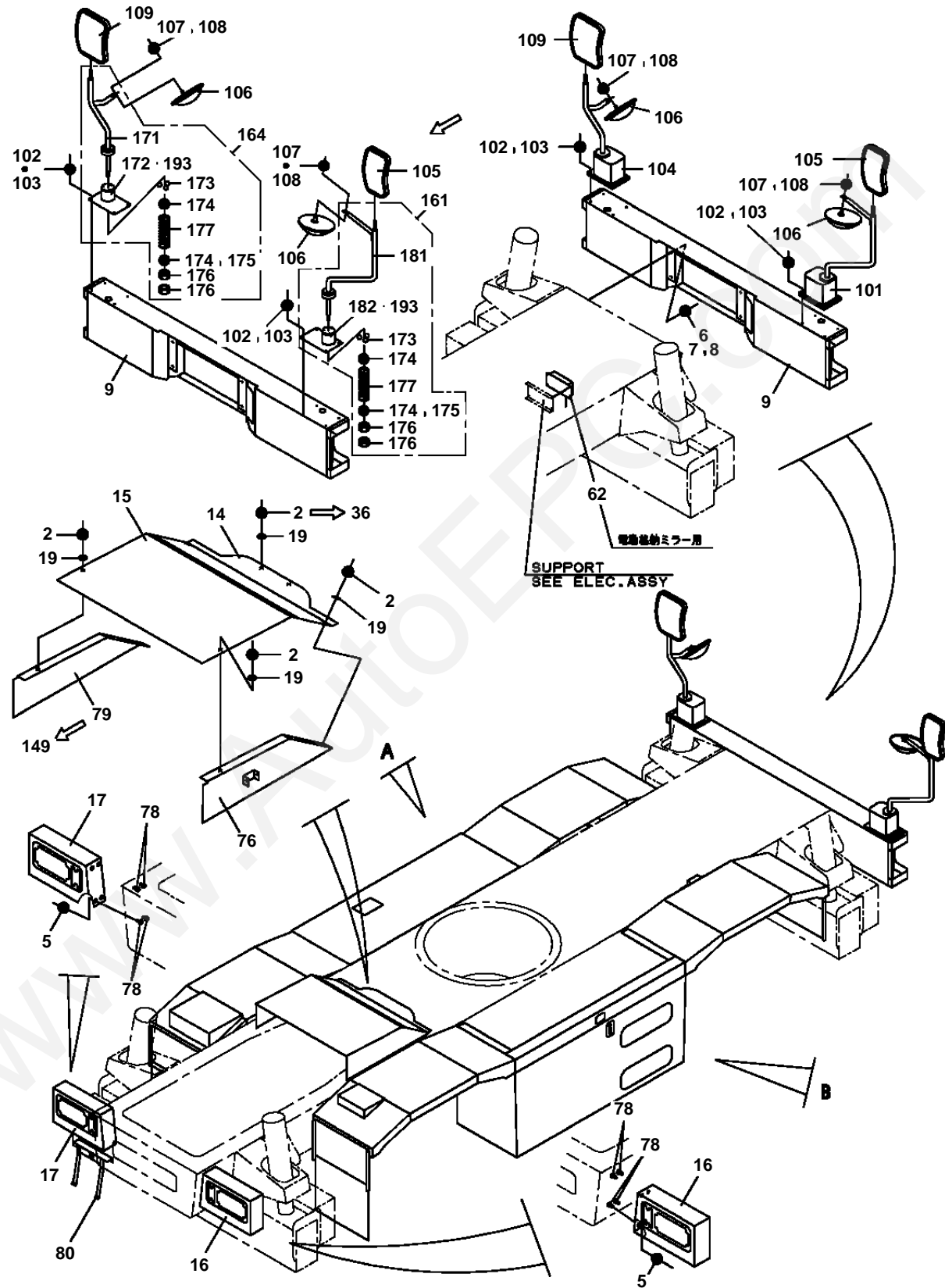


GR-120N-1-00111 12T,X,WINCH(W/O FREE-FALL),JIB(PT)

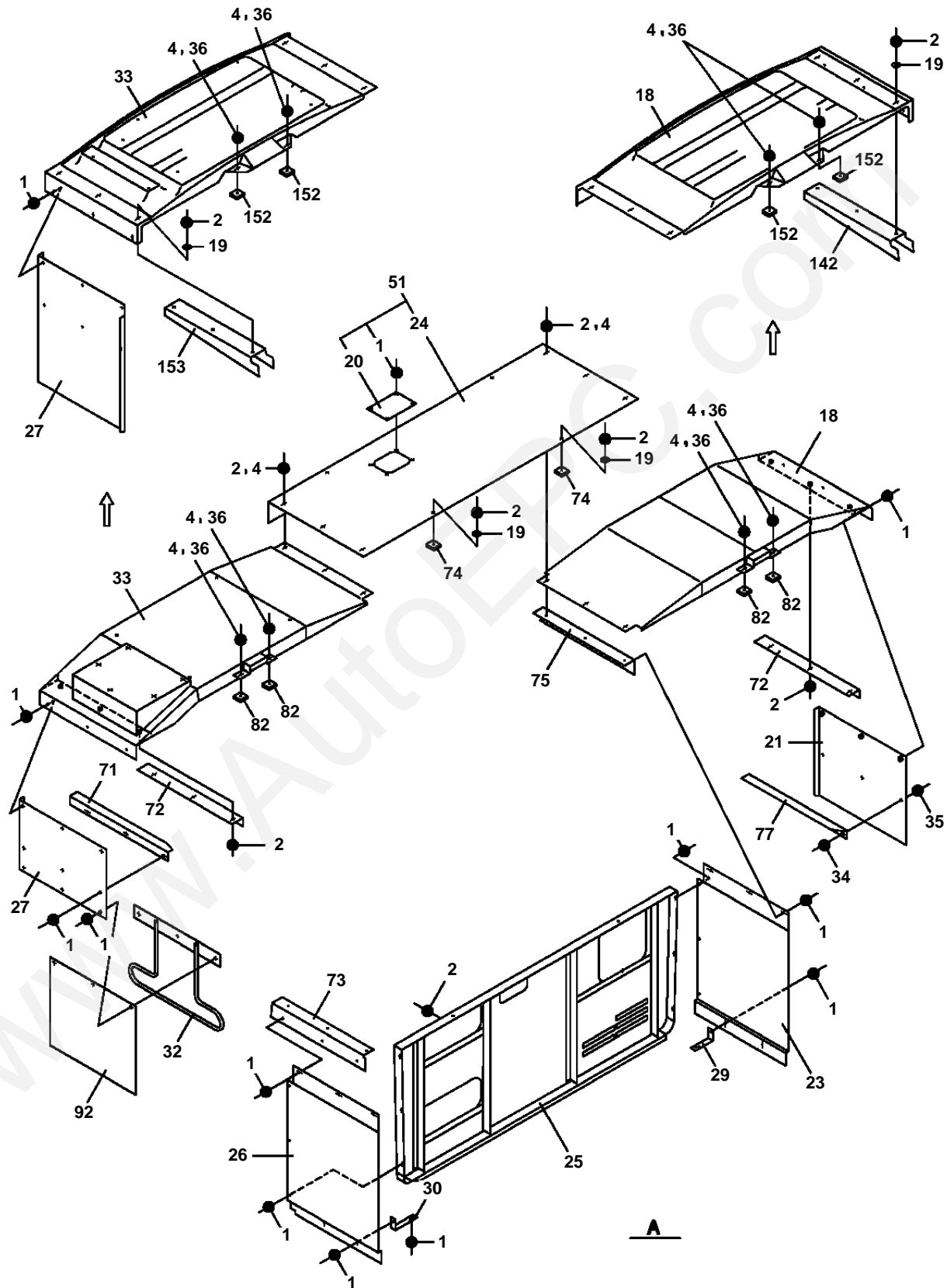
Pos No.	Parts No	Parts Name	Qty	Unit	Technical Data	Serial No (Start)	Serial No (End)	Remarks	Pages
2	82100002798	FUSE	2		2A,6.4X30				
3	82100000689	FUSE	2		3A,6.5X30				
4	34461210300	ROD (FOR DISK PAD INSPECTION)	1						
5	91900000006	SMOKE BOMB	1						
6	34461690100	CASE	1						
7	34461210100	MAT,FLOOR (AT FOOT)	1						

www.AutoEPC.com

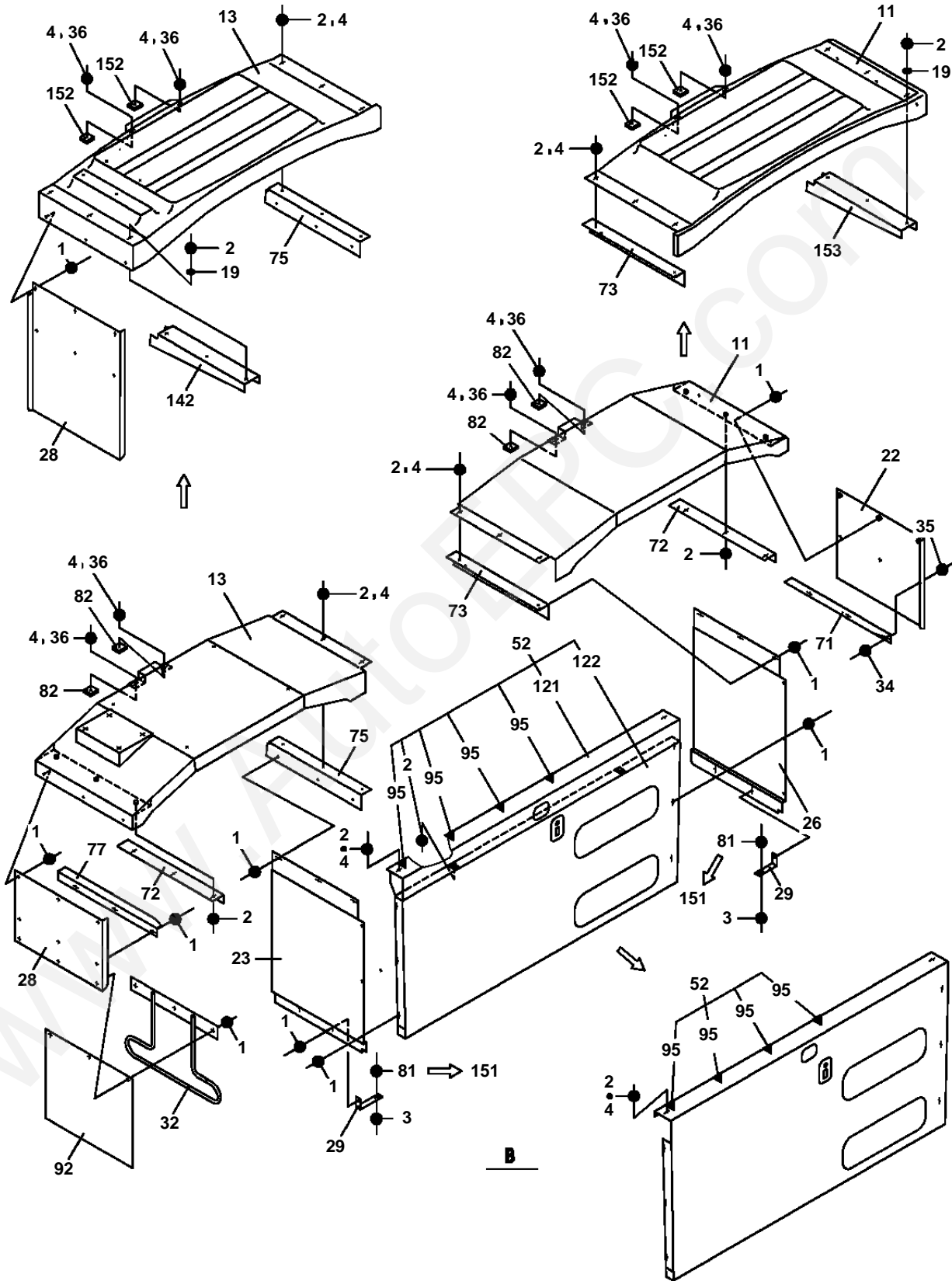
GR-120N-1-00111 12T,X,WINCH(W/O FREE-FALL),JIB(PT)
PX1030404-05 FENDER



GR-120N-1-00111 12T,X,WINCH(W/O FREE-FALL),JIB(P
PX1030404-05 FENDER



GR-120N-1-00111 12T,X,WINCH(W/O FREE-FALL),JIB(P.T)
PX1030404-05 FENDER



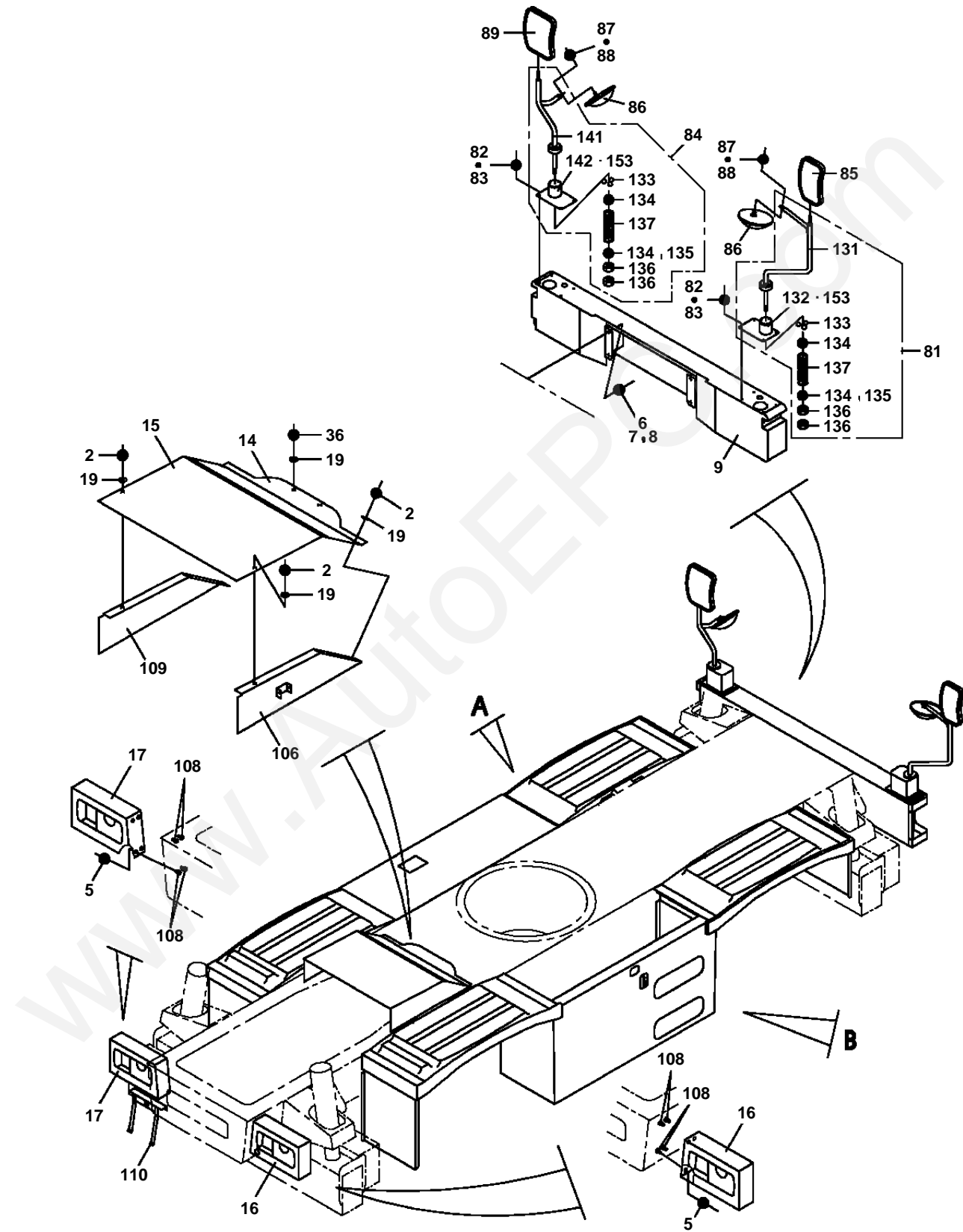
GR-120N-1-00111 12T,X,WINCH(W/O FREE-FALL),JIB(PT)

Pos No.	Parts No	Parts Name	Qty	Unit	Technical Data	Serial No (Start)	Serial No (End)	Remarks	Pages
1	90186208014	BOLT,FLANGE	4		M8X14				
	90186208014	BOLT,FLANGE	55		M8X14		FD0436		
	90186208014	BOLT,FLANGE	49		M8X14	FD0437			
2	90186210020	BOLT,FLANGE	36		M10X20		FD0219		
	90186210020	BOLT,FLANGE	2		M10X20		FD0421		
	90186210020	BOLT,FLANGE	34		M10X20	FD0220			
3	90186210025	BOLT,FLANGE	4		M10X25				
4	90303071001	WASHER,PLAIN	20		10				
5	90280201000	NUT,FLANGE	8		M10				
6	90101216025	BOLT	4		M16X25				
7	90302041601	WASHER,SPRING	4		16				
8	90303071601	WASHER,PLAIN	4		16				
9	34691761100	BUMPER	1				FD0582		
	34691761101	BUMPER	1			FD0583			
11	34691761201	FENDER	1				FD0219		
	34691761202	FENDER (FR)	1			FD0220			
13	34691761601	FENDER	1				FD0219		
	34691761602	FENDER (RR)	1			FD0220			
14	34691761700	COVER	1						
15	34691761800	COVER	1						
16	34691761900	SUPPORT	1				FD0739		
	34691761901	SUPPORT	1			FD0740			
17	34691762000	SUPPORT	1				FD0739		
	34691762001	SUPPORT	1			FD0740			
18	34691762101	FENDER	1				FD0219		
	34691762102	FENDER (FL)	1			FD0220			
19	37000505950	PLATE	10		T=3.2		FD0219		
	37000505950	PLATE	22		T=3.2	FD0220			
20	34691173700	COVER	1						
21	34691762600	FENDER	1				FD0219		
	34691762601	FENDER (FL)	1			FD0220			
22	34691762700	FENDER	1				FD0219		
	34691762701	FENDER (FR)	1			FD0220			
23	34691762200	COVER	2						
24	34691762300	COVER	1						
25	34691762400	COVER	1						
26	34691763200	COVER	2						
27	34691762800	FENDER	1				FD0219		
	34691762801	FENDER (RL)	1			FD0220	FD0436		
	34691763000	FENDER (RL)	1			FD0437			
28	34691762900	FENDER	1				FD0219		
	34691762901	FENDER (RR)	1			FD0220	FD0436		
	34691763100	FENDER	1			FD0437			
29	34691763300	SUPPORT	6						
30	34691763400	SUPPORT	2						
32	34691414800	SUPPORT	2				FD0436		
33	34691762500	FENDER	1				FD0219		
	34691762501	FENDER (RL)	1			FD0220			
34	90280200800	NUT,FLANGE	9		M8				
35	90186208020	BOLT,FLANGE	9		M8X20				
36	90186210014	BOLT,FLANGE	8		M10X14		FD0219		
	90186210014	BOLT,FLANGE	10		M10X14	FD0220			
51	34691768010	COVER ASSY	1						
52	34691768020	COVER ASSY	1				FD0421		
	34691761301	COVER	1			FD0422			
62	34691446600	CONTROLLER (FOR MIRROR)	1				FD0497		

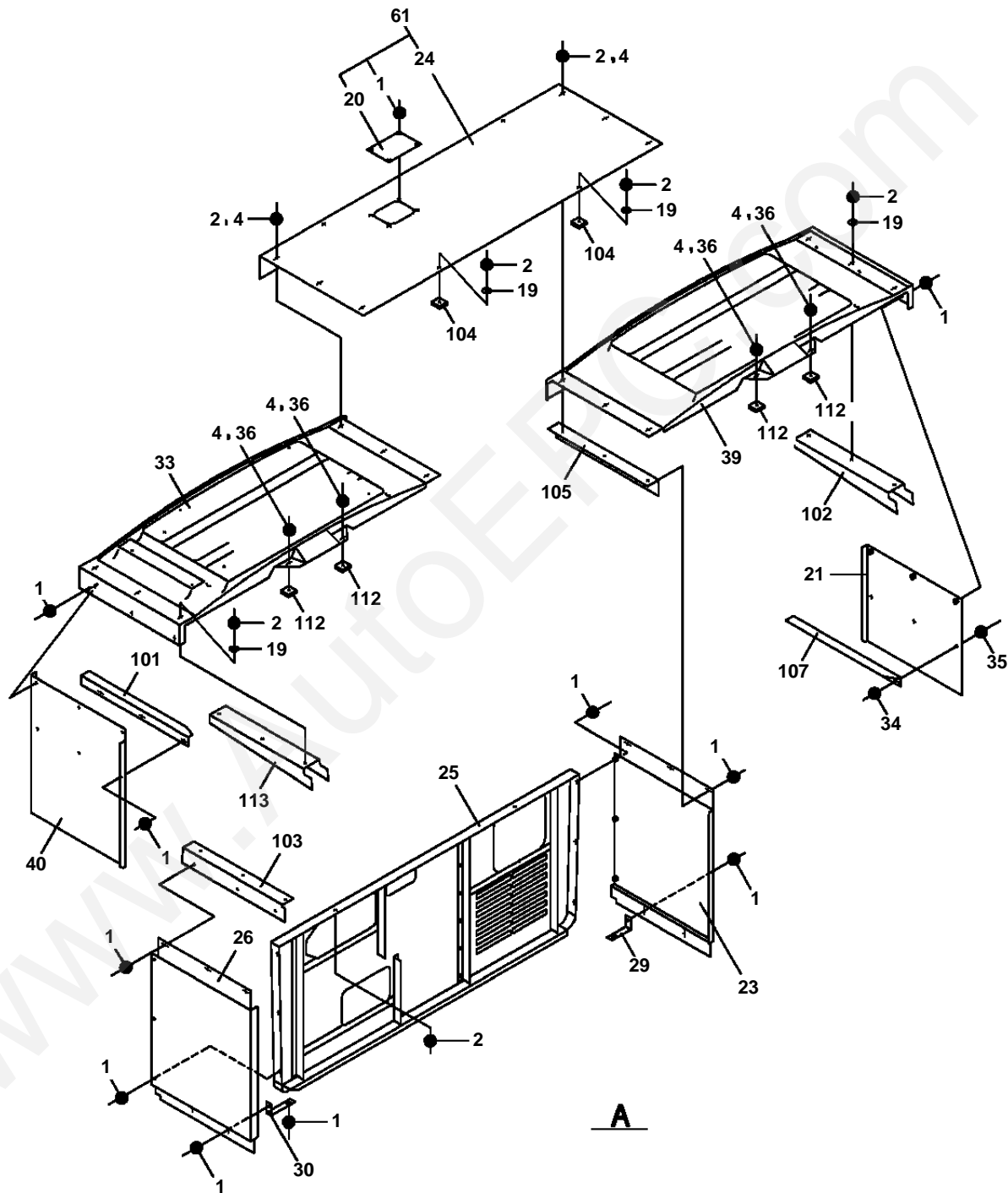
GR-120N-1-00111 12T,X,WINCH(W/O FREE-FALL),JIB(PT)

Pos No.	Parts No	Parts Name	Qty	Unit	Technical Data	Serial No (Start)	Serial No (End)	Remarks	Pages
71	34691764200	SUPPORT	2						
72	34691764100	SUPPORT	4				FD0219		
73	34691764400	SUPPORT	2						
74	33270062560	PLATE	2						
75	34691764500	SUPPORT	2						
76	34691764900	SUPPORT	1						
77	34691764700	SUPPORT	2						
78	90155210030	BOLT,WELD	8		M10X30				
79	34691765000	SUPPORT	1				FD0219		
80	34691764800	SUPPORT	1						
81	37001601550	NUT	4		M10		FD1045		
82	37000504830	PLATE	8				FD0219		
92	34691414500	PLATE	2				FD0436		
95	37000604250	CLAMP	4						
101	34691576200	SUPPORT ASSY (RIGHT MIRROR)	1				FD0497		000327
102	90180210030	BOLT,BUTTON	8		M10X30				
103	90302041001	WASHER,SPRING	8		10				
104	34691766200	SUPPORT (MIRROR)	1				FD0497		
105	82400000464	MIRROR	1						
106	82400000463	MIRROR (ASSY ONLY)	2						
107	90201200800	NUT	2		M8				
108	90302040801	WASHER,SPRING	2		8				
109	82400000466	MIRROR	1						
121	34691761400	COVER	1				FD0421		
122	34691761500	COVER	1				FD0421		
142	34691764101	SUPPORT	2			FD0220			
149	34691765001	SUPPORT	1			FD0220			
152	33250000230	PLATE	8			FD0220			
153	34691765100	SUPPORT	2			FD0220			
161	34691766600	SUPPORT ASSY (R)	1			FD0498			
164	34691766400	SUPPORT ASSY (L)	1			FD0498			
171	34691766450	SUPPORT (L)	1			FD0498			
172	34691766500	SUPPORT (L)	1			FD0498			
173	80560059000	BALL,STEEL	6		YB5/16	FD0498			
174	90303072001	WASHER,PLAIN	4		20	FD0498			
175	90303071401	WASHER,PLAIN	2		14	FD0498			
176	90202201400	NUT	4		M14	FD0498			
177	37001200040	SPRING	2			FD0498			
181	34691766650	SUPPORT (R)	1			FD0498			
182	34691766700	SUPPORT (R)	1			FD0498			
193	80801002015	BEARING,PLAIN	4			FD0498			

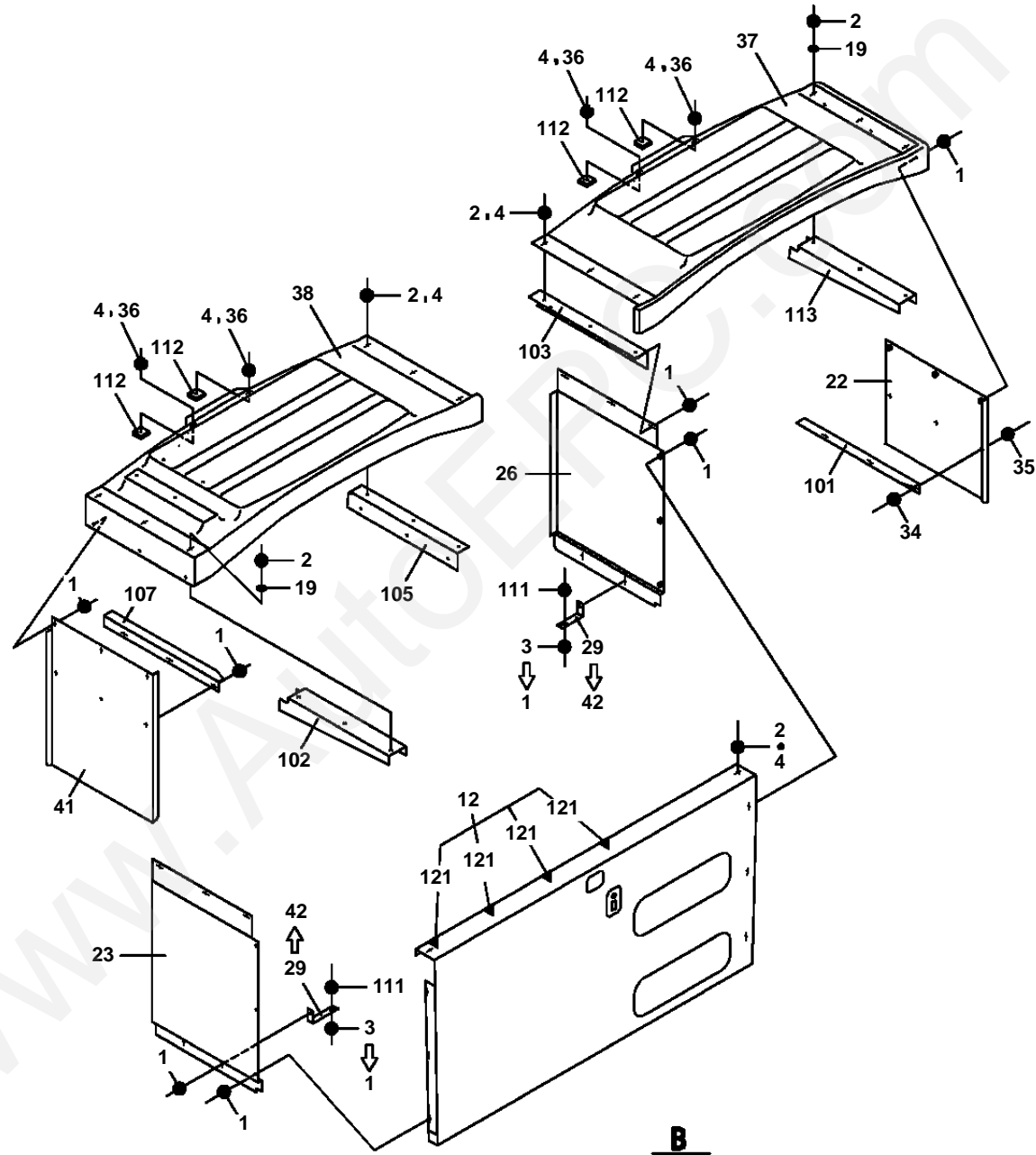
GR-120N-1-00111 12T,X,WINCH(W/O FREE-FALL),JIB(P.T)
PX1030636-01 FENDER



GR-120N-1-00111 12T,X,WINCH(W/O FREE-FALL),JIB(P.T)
PX1030636-01 FENDER



GR-120N-1-00111 12T,X,WINCH(W/O FREE-FALL),JIB(P
PX1030636-01 FENDER



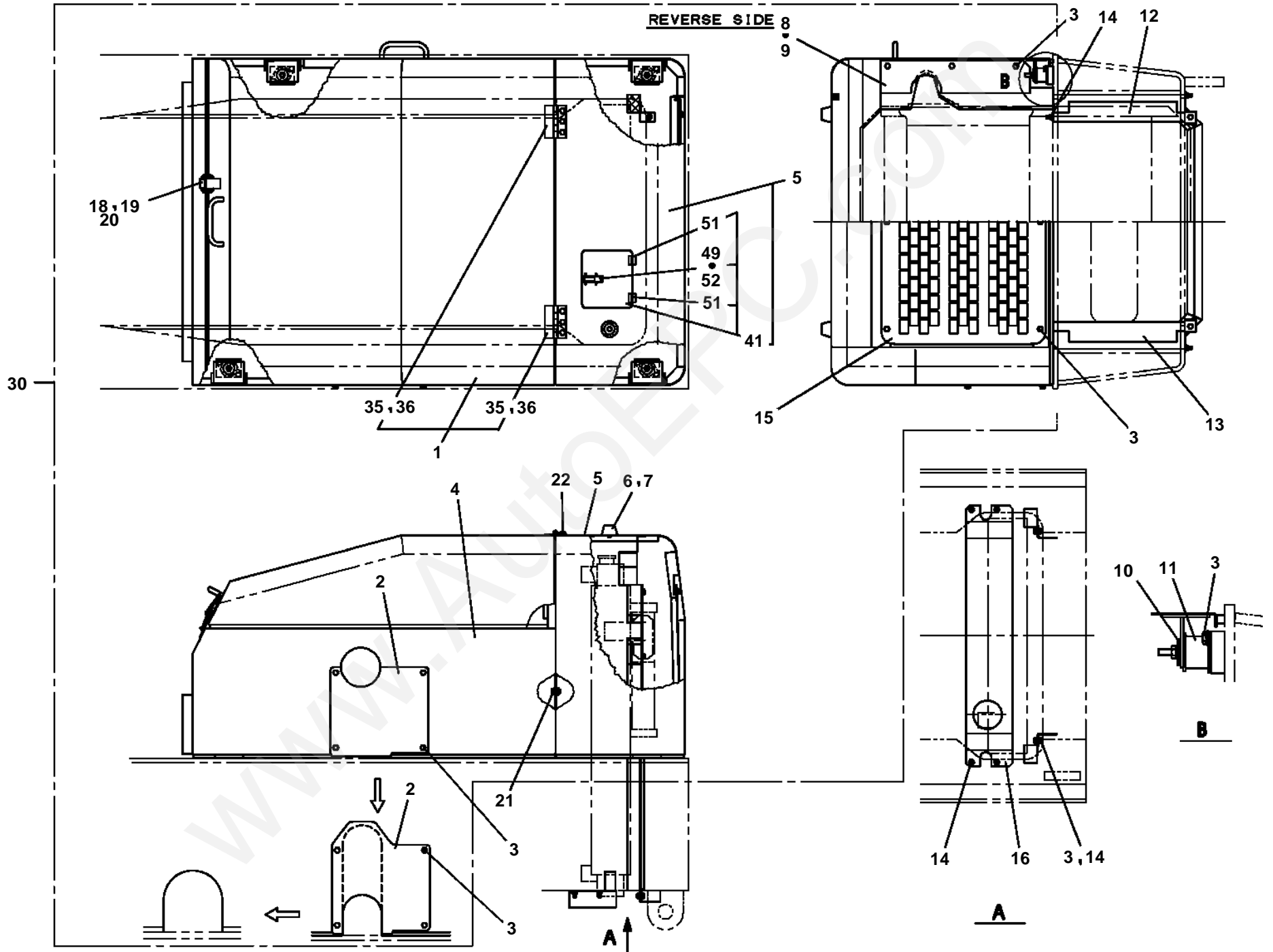
GR-120N-1-00111 12T,X,WINCH(W/O FREE-FALL),JIB(PT)

Pos No.	Parts No	Parts Name	Qty	Unit	Technical Data	Serial No (Start)	Serial No (End)	Remarks	Pages
1	90186208014	BOLT,FLANGE	49		M8X14		FD1045		
	90186208014	BOLT,FLANGE	4		M8X14				
	90186208014	BOLT,FLANGE	53		M8X14	FD1046			
2	90186210020	BOLT,FLANGE	34		M10X20				
3	90186210025	BOLT,FLANGE	4		M10X25		FD1045		
4	90303071001	WASHER,PLAIN	20		10				
5	90280201000	NUT,FLANGE	8		M10				
6	90101216025	BOLT	4		M16X25				
7	90302041601	WASHER,SPRING	4		16				
8	90303071601	WASHER,PLAIN	4		16				
9	34691761102	BUMPER	1				FD1360		
	34691761103	BUMPER	1			FD1361			
12	34691761301	COVER	1						
14	34691761700	COVER	1						
15	34691761800	COVER	1						
16	34691761902	SUPPORT	1				FD1360		
	34691761903	SUPPORT	1			FD1361			
17	34691762002	SUPPORT	1				FD1360		
	34691762003	SUPPORT	1			FD1361			
19	37000505950	PLATE	22		T=3.2				
20	34691173700	COVER	1						
21	34691762601	FENDER (FL)	1						
22	34691762701	FENDER (FR)	1						
23	34691762200	COVER	2						
24	34691762300	COVER	1						
25	34691762400	COVER	1						
26	34691763200	COVER	2						
29	34691763300	SUPPORT	6				FD1045		
	34691763300	SUPPORT	2			FD1046			
30	34691763400	SUPPORT	2						
33	34691762501	FENDER (RL)	1						
34	90280200800	NUT,FLANGE	9		M8				
35	90186208020	BOLT,FLANGE	9		M8X20				
36	90186210014	BOLT,FLANGE	10		M10X14				
37	34691761202	FENDER (FR)	1						
38	34691761602	FENDER (RR)	1						
39	34691762102	FENDER (FL)	1						
40	34691763000	FENDER (RL)	1						
41	34691763100	FENDER	1						
42	34691312000	SUPPORT	4			FD1046			
61	34691768010	COVER ASSY	1						
81	34691766600	SUPPORT ASSY (R)	1						
82	90180210030	BOLT,BUTTON	8		M10X30				
83	90302041001	WASHER,SPRING	8		10				
84	34691766400	SUPPORT ASSY (L)	1						
85	82400000464	MIRROR	1						
86	82400000463	MIRROR (ASSY ONLY)	2						
87	90201200800	NUT	2		M8				
88	90302040801	WASHER,SPRING	2		8				
89	82400000466	MIRROR	1						
101	34691764200	SUPPORT	2						
102	34691764101	SUPPORT	2						
103	34691764400	SUPPORT	2						
104	33270062560	PLATE	2						
105	34691764500	SUPPORT	2						
106	34691764900	SUPPORT	1						

GR-120N-1-00111 12T,X,WINCH(W/O FREE-FALL),JIB(PT)

Pos No.	Parts No	Parts Name	Qty	Unit	Technical Data	Serial No (Start)	Serial No (End)	Remarks	Pages
107	34691764700	SUPPORT	2						
108	90155210030	BOLT,WELD	8		M10X30				
109	34691765001	SUPPORT	1						
110	34691764800	SUPPORT	1						
111	37001601550	NUT	4		M10		FD1045		
	90288008035	NUT	4		M8	FD1046			
112	33250000230	PLATE	8						
113	34691765100	SUPPORT	2						
121	37000604250	CLAMP	4						
131	34691766650	SUPPORT (R)	1						
132	34691766700	SUPPORT (R)	1						
133	80560059000	BALL,STEEL	6		YB5/16				
134	90303072001	WASHER,PLAIN	4		20				
135	90303071401	WASHER,PLAIN	2		14				
136	90202201400	NUT	4		M14				
137	37001200040	SPRING	2						
141	34691766450	SUPPORT (L)	1						
142	34691766500	SUPPORT (L)	1						
153	80801002015	BEARING,PLAIN	4						

GR-120N-1-00111 12T,X,WINCH(W/O FREE-FALL),JIB(P.T)
PX1050099-01 ROOM,ENGINE

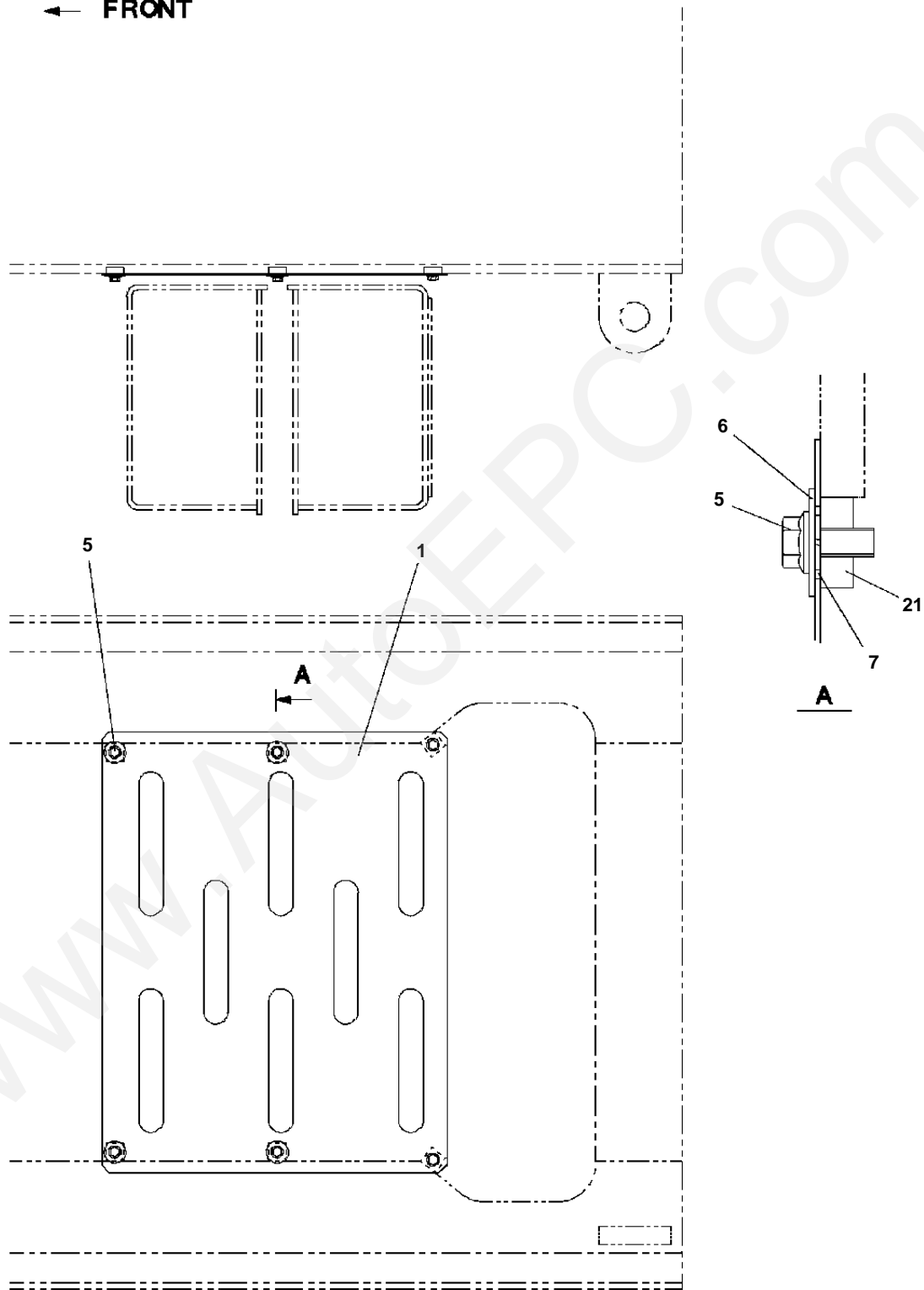


GR-120N-1-00111 12T,X,WINCH(W/O FREE-FALL),JIB(PT)

Pos No.	Parts No	Parts Name	Qty	Unit	Technical Data	Serial No (Start)	Serial No (End)	Remarks	Pages
1	34691871100	COVER	1						
2	34691871800	COVER	1				FD0219		
3	90186208014	BOLT,FLANGE	26		M8X14		FD0219		
	90186208014	BOLT,FLANGE	22		M8X14	FD0220			
4	34691871600	COVER	1				FD0219		
	34691871601	COVER	1			FD0220			
5	34691872000	COVER	1						
6	82466301450	INSULATOR	2						
7	80172304025	SCREW,MACHINE	2		M4X25				
8	34691752500	INSULATOR	1						
9	34691752600	INSULATOR	1						
10	37000505950	PLATE	4		T=3.2				
11	34691292900	INSULATOR	4						
12	34691752800	INSULATOR	1						
13	34691752900	INSULATOR	1						
14	90280200800	NUT,FLANGE	8		M8				
15	34691752700	COVER	1						
16	34691753000	COVER	1						
18	82400000357	CATCH	1						
19	80182308014	SCREW,MACHINE	2		M8X14				
20	90302040801	WASHER,SPRING	2		8				
21	90186210014	BOLT,FLANGE	6		M10X14				
22	90101208016	BOLT	6		M8X16				
30	34691878010	COVER ASSY	1						
35	82400000301	HINGE	2						
36	80147310640	RIVET	6		NSA 6-4				
41	34691409510	COVER	1						
49	80147310420	RIVET	4		3.2X6				
51	92001140100	HINGE	2						
52	82466152400	CATCH	1						

GR-120N-1-00111 12T,X,WINCH(W/O FREE-FALL),JIB(P
PX1050100-00 ROOM,ENGINE (UNDER COVER)

← FRONT

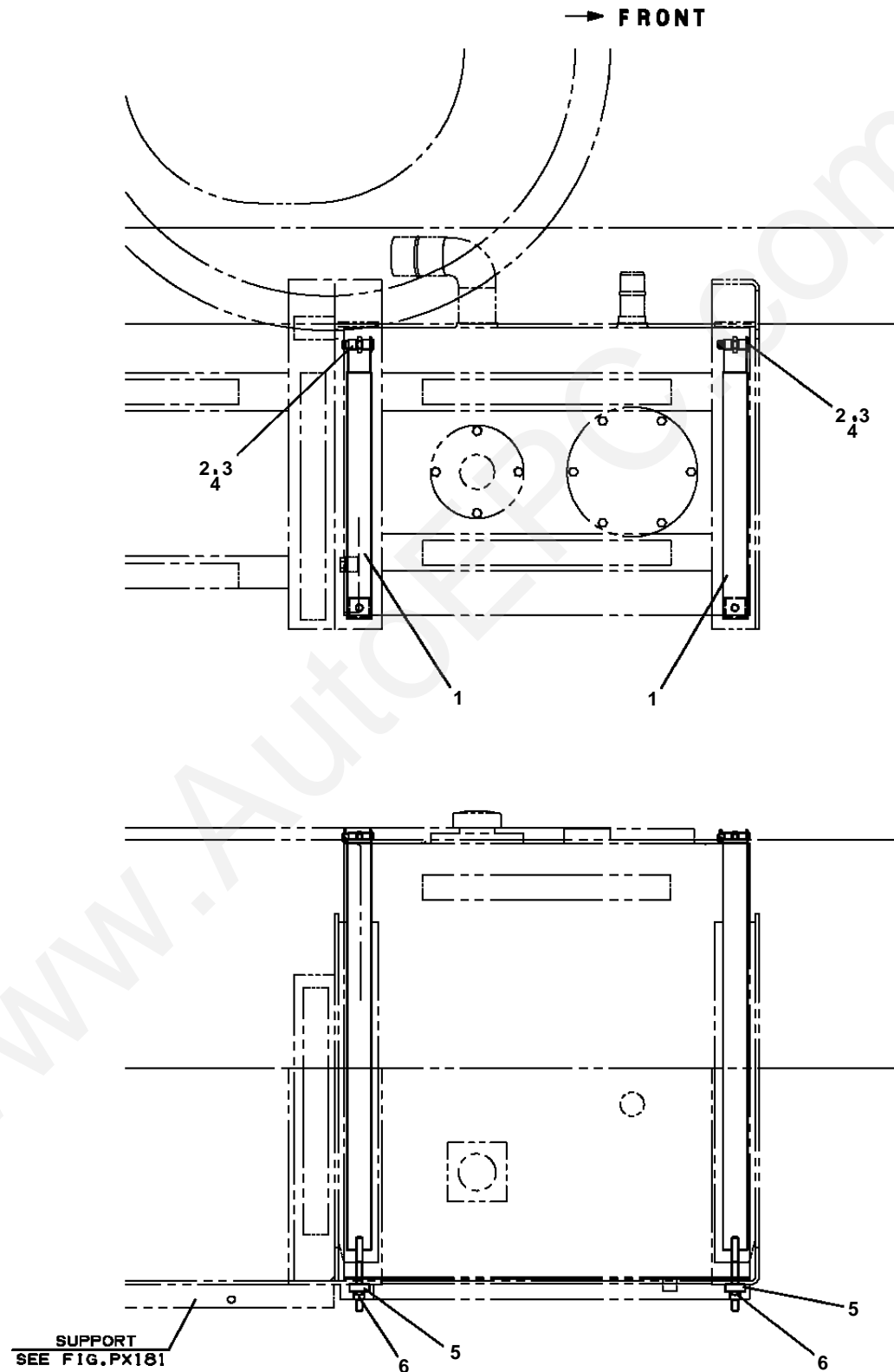


GR-120N-1-00111 12T,X,WINCH(W/O FREE-FALL),JIB(PT)

Pos No.	Parts No	Parts Name	Qty	Unit	Technical Data	Serial No (Start)	Serial No (End)	Remarks	Pages
1	34691875100	COVER	1						
5	90186208020	BOLT,FLANGE	6		M8X20				
6	37000547660	PLATE	4		T=2.3				
7	90302040801	WASHER,SPRING	4		8				
21	37000521400	PLATE	6						

www.AutoEPC.com

GR-120N-1-00111 12T,X,WINCH(W/O FREE-FALL),JIB(P
PX1100244-00 TANK SUPPORT (BAND)

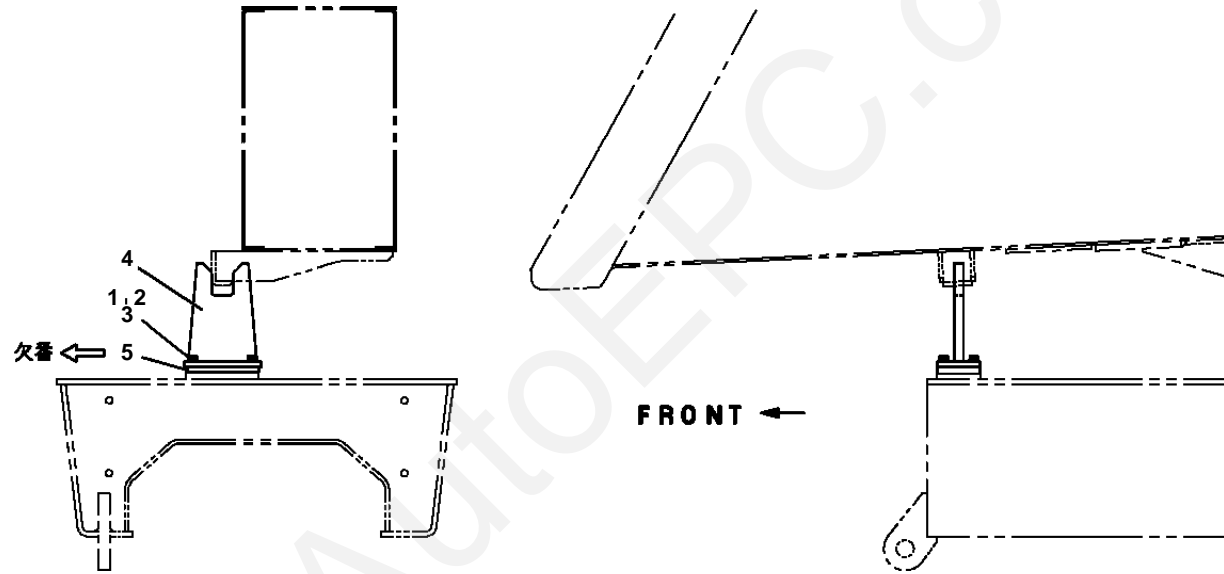


GR-120N-1-00111 12T,X,WINCH(W/O FREE-FALL),JIB(PT)

Pos No.	Parts No	Parts Name	Qty	Unit	Technical Data	Serial No (Start)	Serial No (End)	Remarks	Pages
1	34880300100	BAND	2						
2	37000104230	PIN	2						
3	80136332025	PIN,SPLIT	2		3.2X25				
4	90303071201	WASHER,PLAIN	2		12				
5	34760053200	WASHER	2				FD2470		
	34762271100	WASHER	2			FD2471			
6	90201201000	NUT	4		M10				

www.AutoEPC.com

GR-120N-1-00111 12T,X,WINCH(W/O FREE-FALL),JIB(P.T)
PX1120394-01 BOOM REST

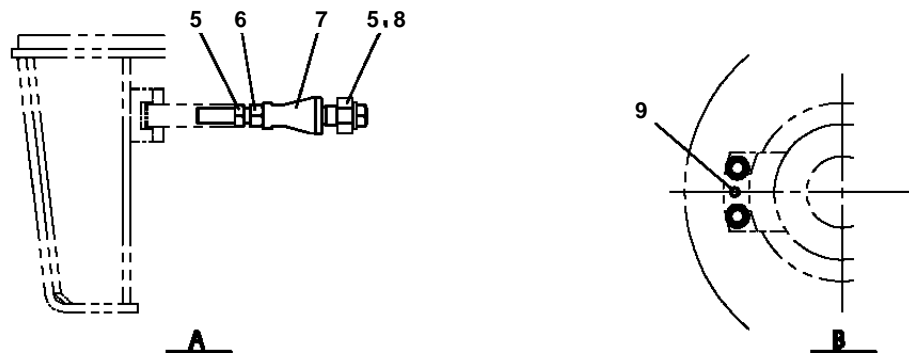
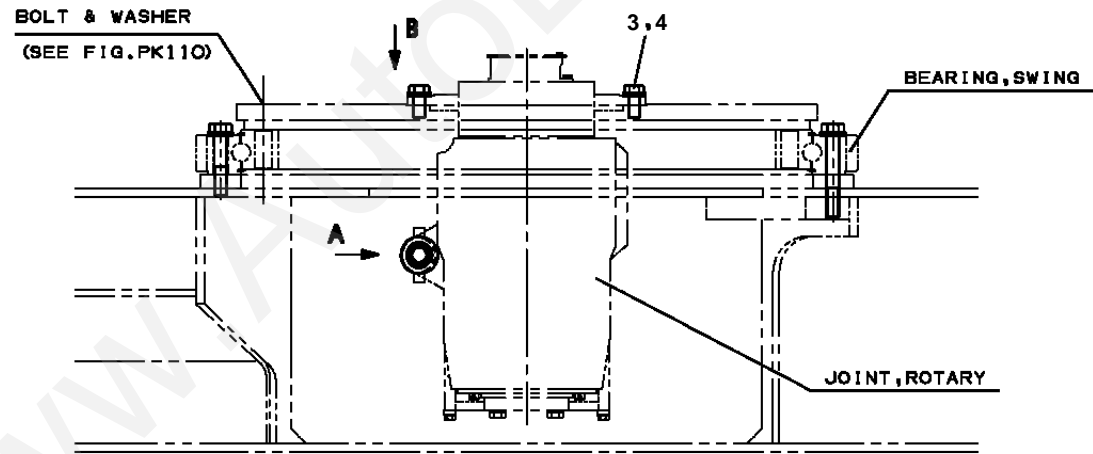
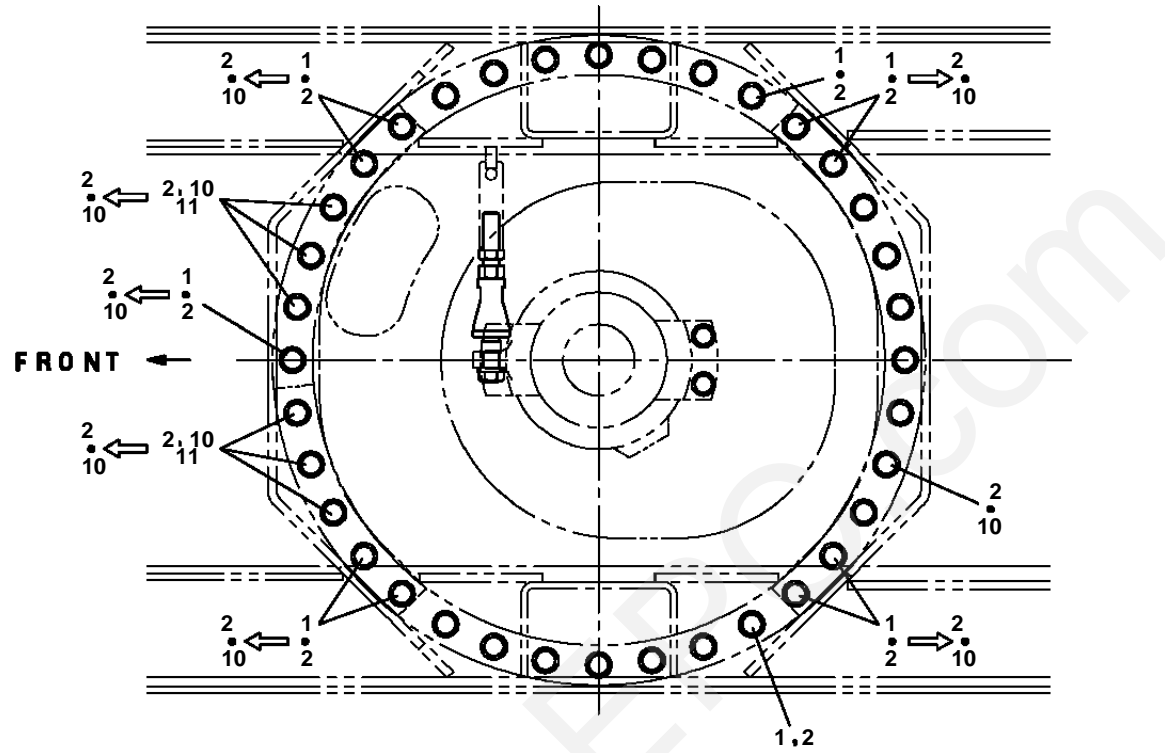


GR-120N-1-00111 12T,X,WINCH(W/O FREE-FALL),JIB(PT)

Pos No.	Parts No	Parts Name	Qty	Unit	Technical Data	Serial No (Start)	Serial No (End)	Remarks	Pages
1	90101512030	BOLT	4		M12X30				
2	90302041201	WASHER,SPRING	4		12				
3	90303071201	WASHER,PLAIN	4		12				
4	34761943100	SUPPORT	1						

www.AutoEPC.com

GR-120N-1-00111 12T,X,WINCH(W/O FREE-FALL),JIB(P.T)
PX1160052-00 ATTACHMENT PARTS,SWING BEARING

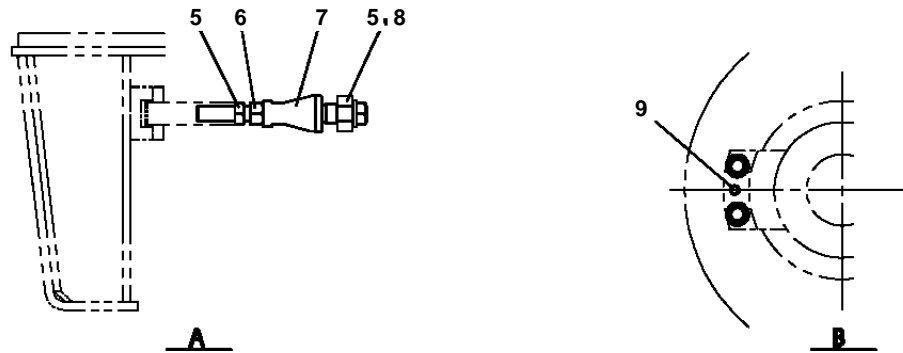
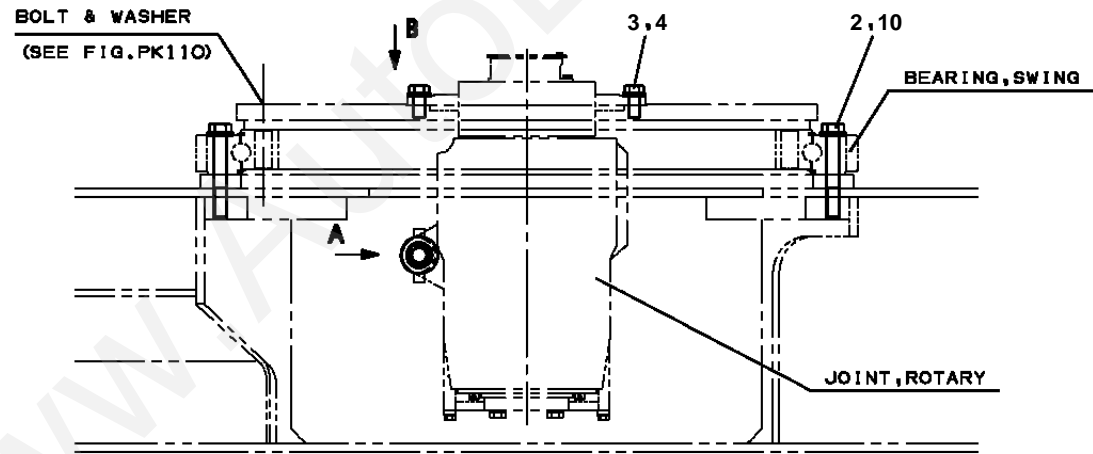
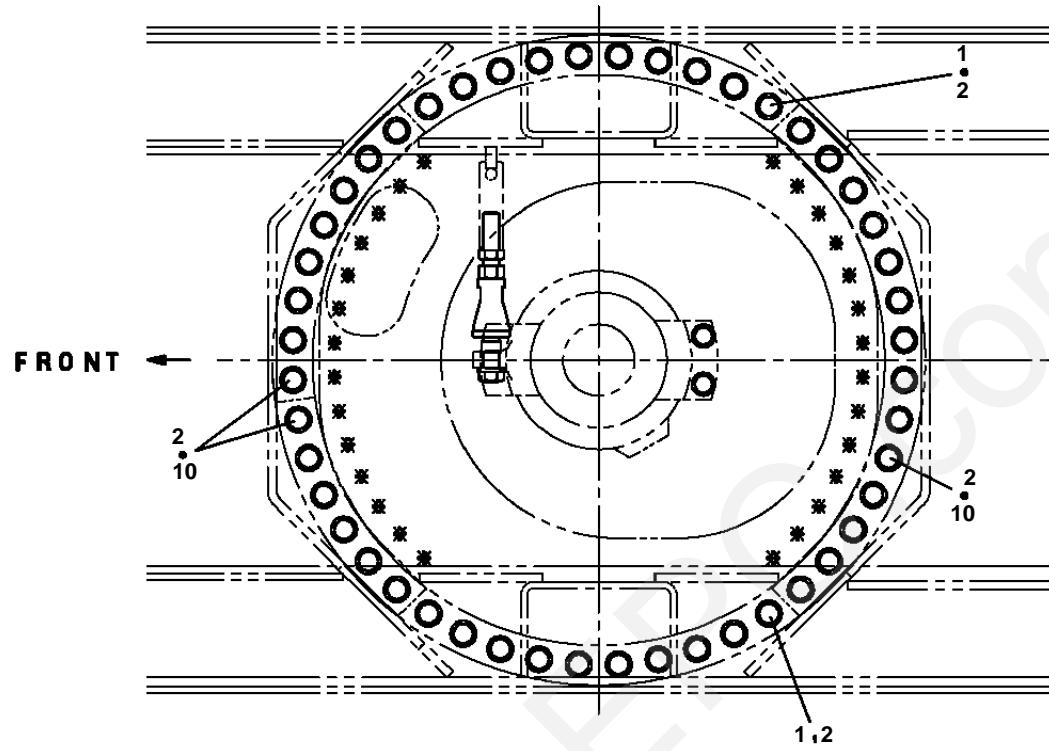


GR-120N-1-00111 12T,X,WINCH(W/O FREE-FALL),JIB(PT)

Pos No.	Parts No	Parts Name	Qty	Unit	Technical Data	Serial No (Start)	Serial No (End)	Remarks	Pages
1	37001500100	BOLT	23		M18X90		FD0028		
	37001500100	BOLT	14		M18X90	FD0029			
2	90303501805	WASHER,PLAIN	42		18		FD0028		
	90303501805	WASHER,PLAIN	36		18	FD0029			
3	90101516035	BOLT	4		M16X35				
4	90303501601	WASHER,PLAIN	4		16				
5	90269202200	NUT	2		M22				
6	37001503710	BOLT	1		M22X1.5				
7	80530000095	END	1						
8	90302042201	WASHER,SPRING (22)	1						
9	80730130028	PIN	1		13X28				
10	37001504610	BOLT	13				FD0028		
	37001504610	BOLT	22			FD0029			
11	90201701800	NUT	6		M18		FD0028		

www.AutoEPC.com

GR-120N-1-00111 12T,X,WINCH(W/O FREE-FALL),JIB(P.T)
 PX1160054-00 ATTACHMENT PARTS,SWING BEARING

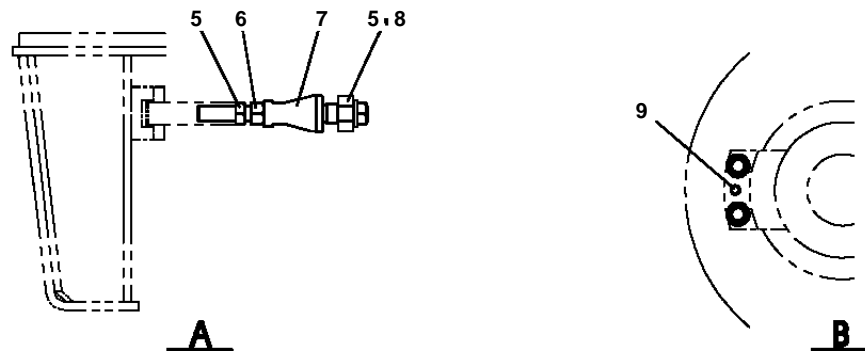
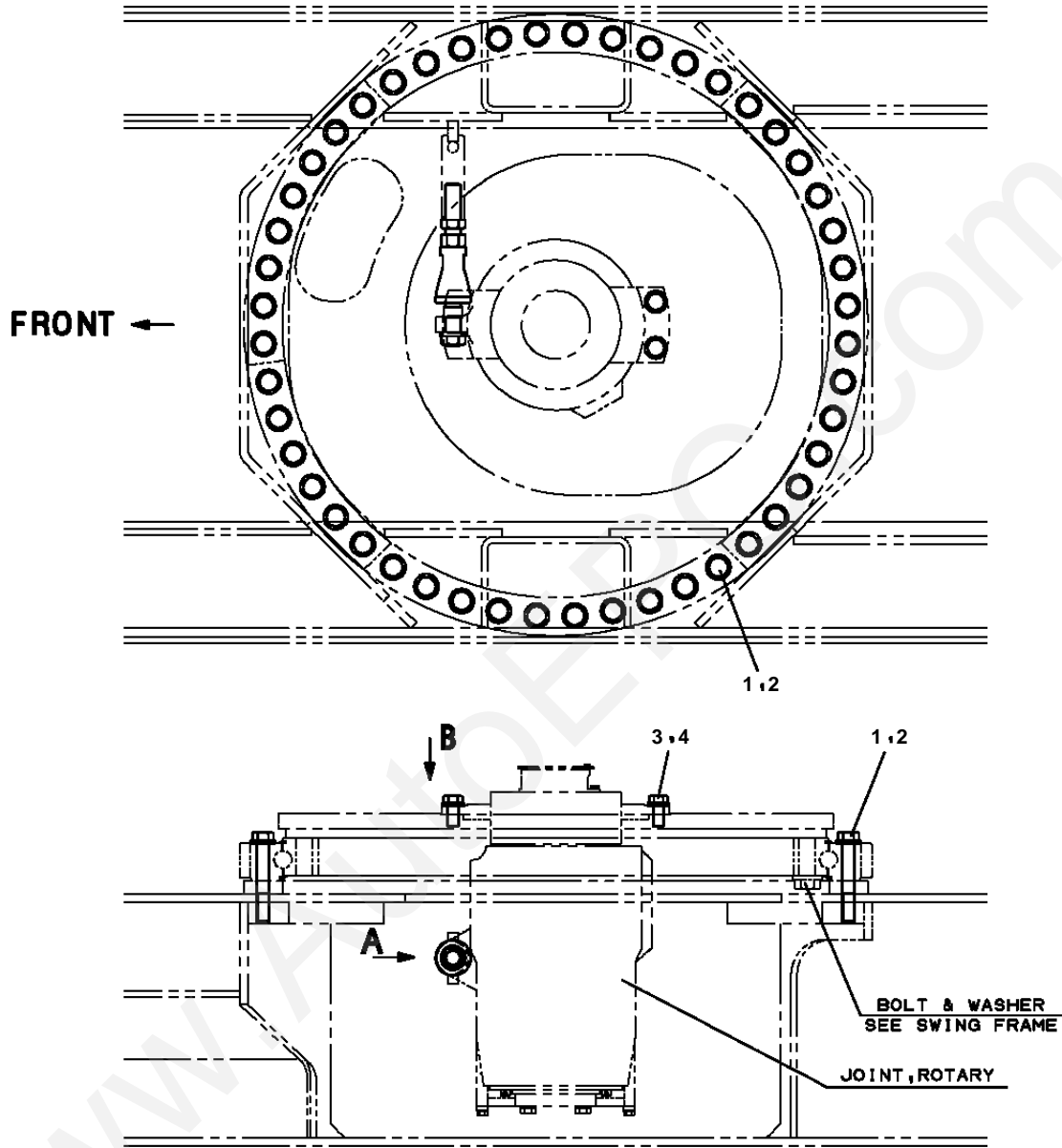


GR-120N-1-00111 12T,X,WINCH(W/O FREE-FALL),JIB(PT)

Pos No.	Parts No	Parts Name	Qty	Unit	Technical Data	Serial No (Start)	Serial No (End)	Remarks	Pages
1	37001500100	BOLT	20		M18X90				
2	90303501805	WASHER,PLAIN	48		18				
3	90101516035	BOLT	4		M16X35				
4	90303501601	WASHER,PLAIN	4		16				
5	90269202200	NUT	2		M22				
6	37001503710	BOLT	1		M22X1.5				
7	80530000095	END	1						
8	90302042201	WASHER,SPRING (22)	1						
9	80730130028	PIN	1		13X28				
10	37001504610	BOLT	28						

www.AutoEPC.com

GR-120N-1-00111 12T,X,WINCH(W/O FREE-FALL),JIB(P.T)
PX1160074-00 ATTACHMENT PARTS, SWING BEARING



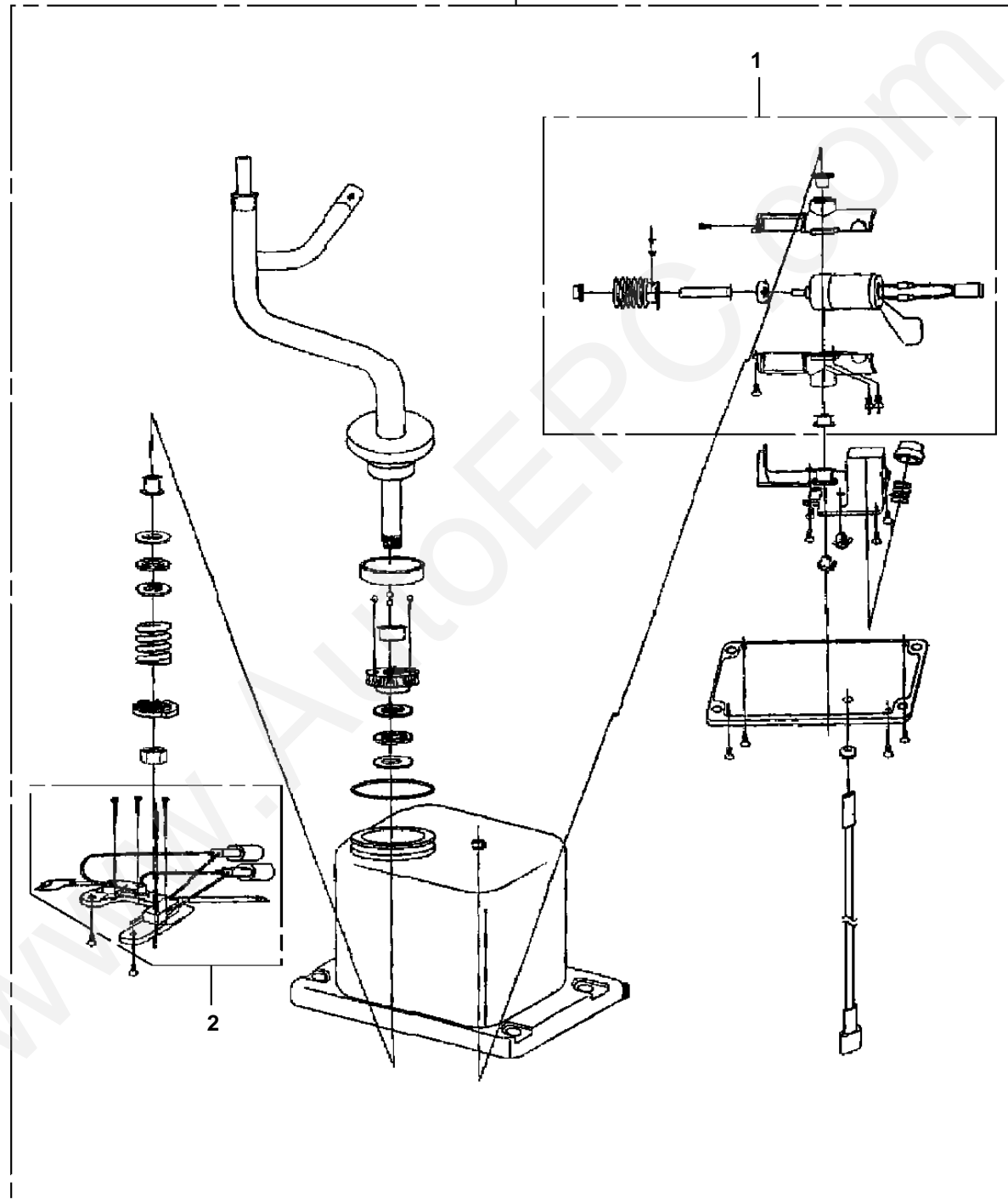
GR-120N-1-00111 12T,X,WINCH(W/O FREE-FALL),JIB(PT)

Pos No.	Parts No	Parts Name	Qty	Unit	Technical Data	Serial No (Start)	Serial No (End)	Remarks	Pages
1	37001500100	BOLT	48		M18X90				
2	90303501805	WASHER,PLAIN	48		18				
3	90101516035	BOLT	4		M16X35				
4	90303501601	WASHER,PLAIN	4		16				
5	90269202200	NUT	2		M22				
6	37001503710	BOLT	1		M22X1.5				
7	80530000095	END	1						
8	90302042201	WASHER,SPRING (22)	1						
9	80730130028	PIN	1		13X28				

www.AutoEPC.com

GR-120N-1-00111 12T,X,WINCH(W/O FREE-FALL),JIB(P
PX1240003-02 SUPPORT ASSY (RIGHT MIRROR)

10

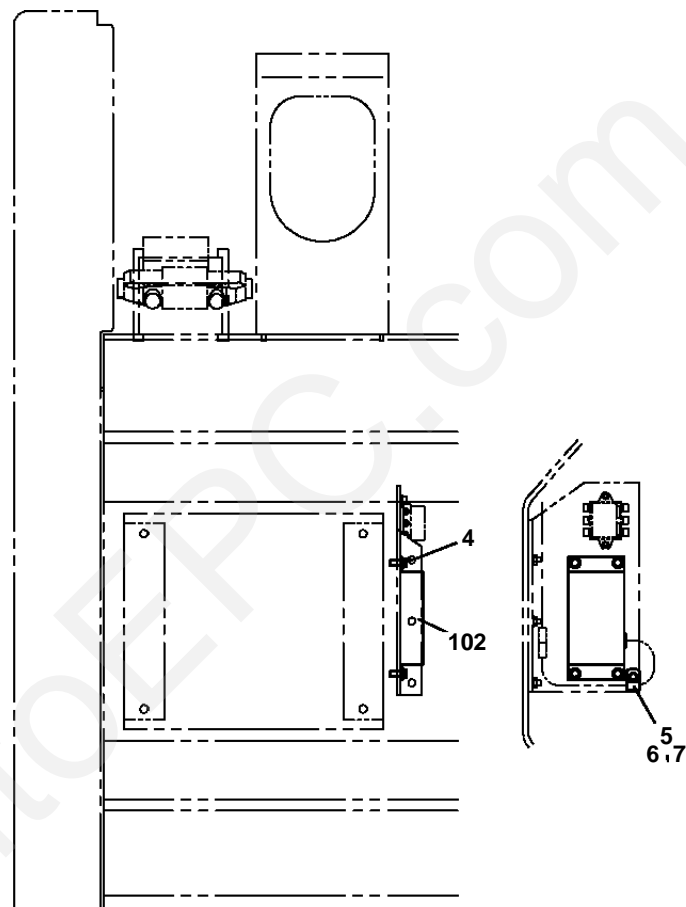
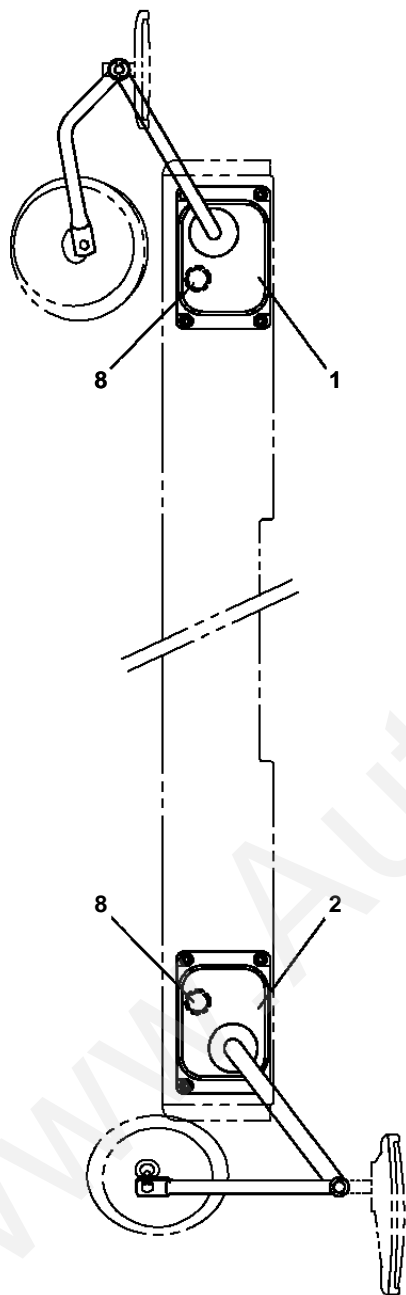


GR-120N-1-00111 12T,X,WINCH(W/O FREE-FALL),JIB(PT)

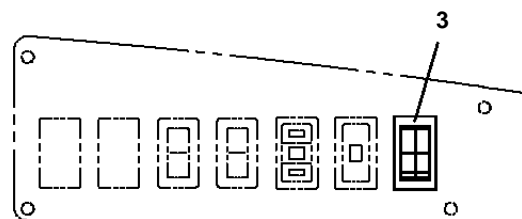
Pos No.	Parts No	Parts Name	Qty	Unit	Technical Data	Serial No (Start)	Serial No (End)	Remarks	Pages
1	34691447510	MOTOR (SUB)	1						
2	34691447530	SWITCH,LIMIT (RIGHT)	1						
10	34691576200	SUPPORT ASSY (RIGHT MIRROR)	1						

www.AutoEPC.com

GR-120N-1-00111 12T,X,WINCH(W/O FREE-FALL),JIB(PT)
PX1240015-00 MIRROR



フレームフロント側内部



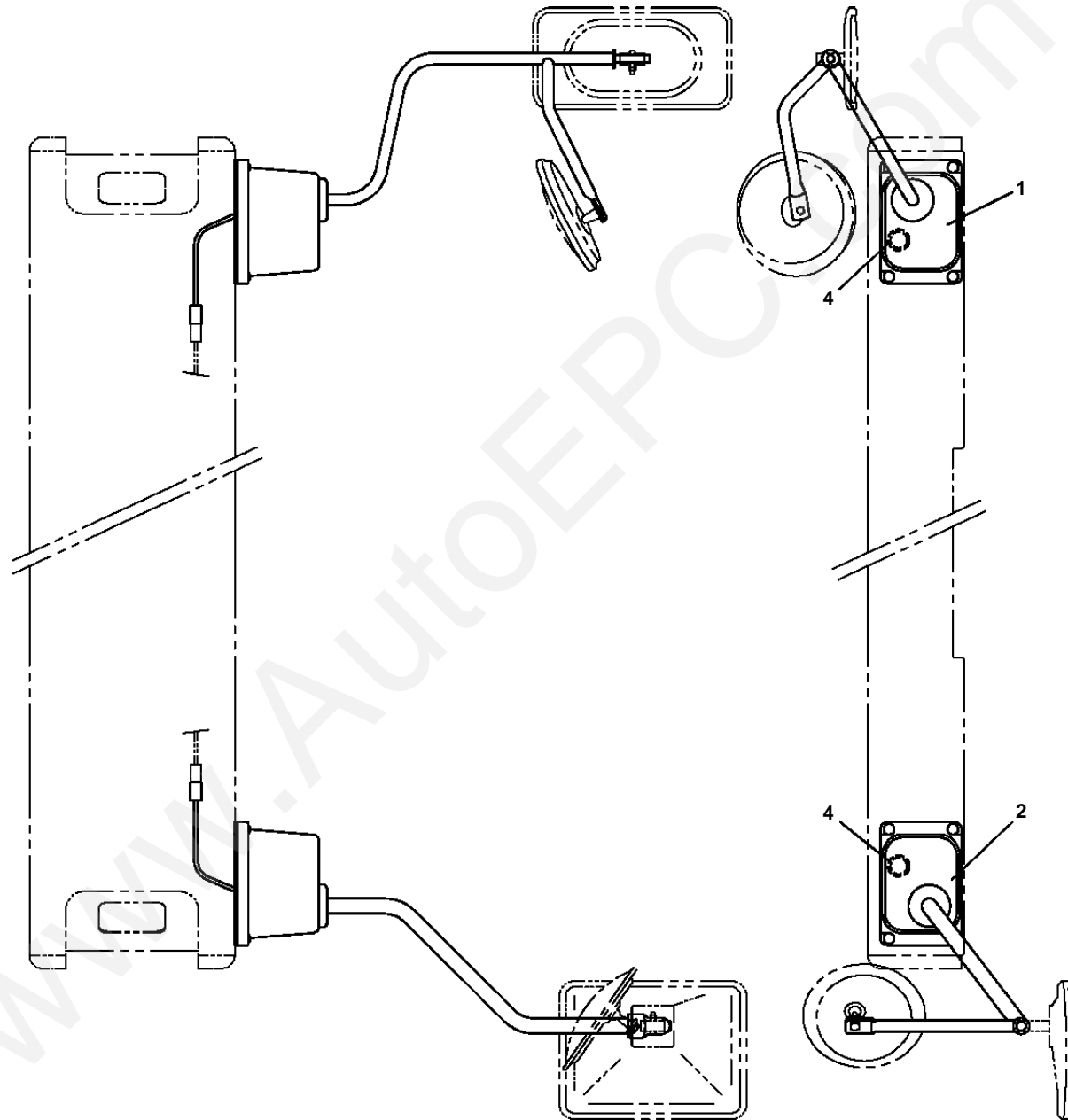
キャブ内左上スイッチパネル部

GR-120N-1-00111 12T,X,WINCH(W/O FREE-FALL),JIB(PT)

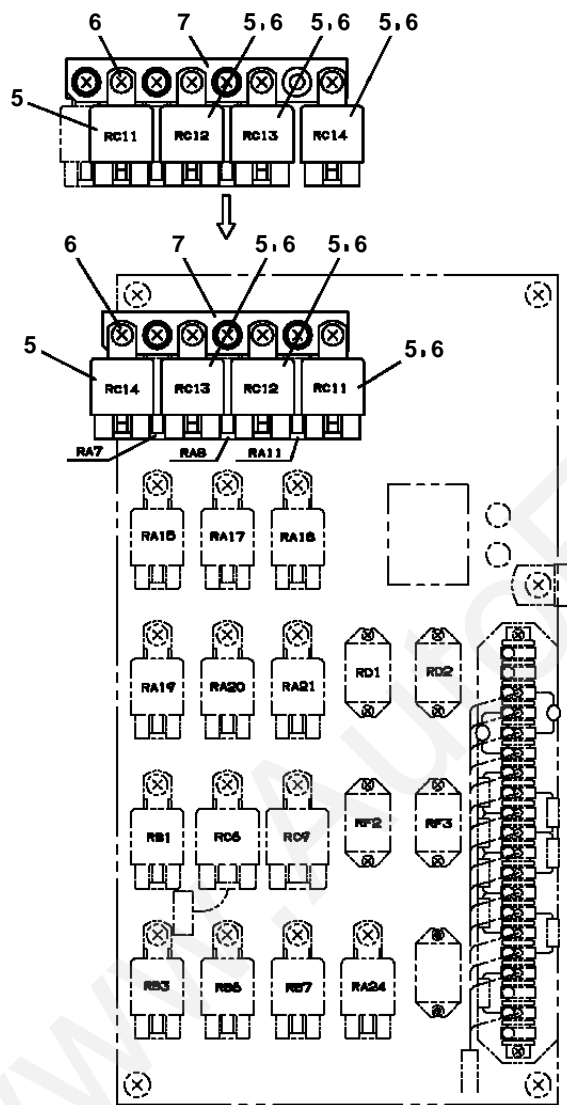
Pos No.	Parts No	Parts Name	Qty	Unit	Technical Data	Serial No (Start)	Serial No (End)	Remarks	Pages
1	34691576200	SUPPORT ASSY (RIGHT MIRROR)	1						000327
2	34691766200	SUPPORT (MIRROR)	1						
3	34352081410	SWITCH ASSY	1						
4	90186208020	BOLT,FLANGE	4		M8X20				
5	82100002006	CLAMP	1		WR10				
6	80182306012	SCREW,MACHINE	1		M6X12				
7	90302040601	WASHER,SPRING	1		6				
8	82400000202	GROMMET	2						
102	34691446600	CONTROLLER (FOR MIRROR)	1						

www.AutoEPC.com

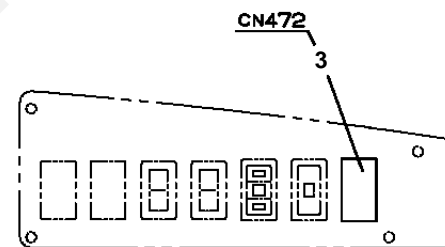
GR-120N-1-00111 12T,X,WINCH(W/O FREE-FALL),JIB(P.T)
PX1240016-01 MIRROR



GR-120N-1-00111 12T,X,WINCH(W/O FREE-FALL),JIB(PT)
 PX1240016-01 MIRROR



電装BOX



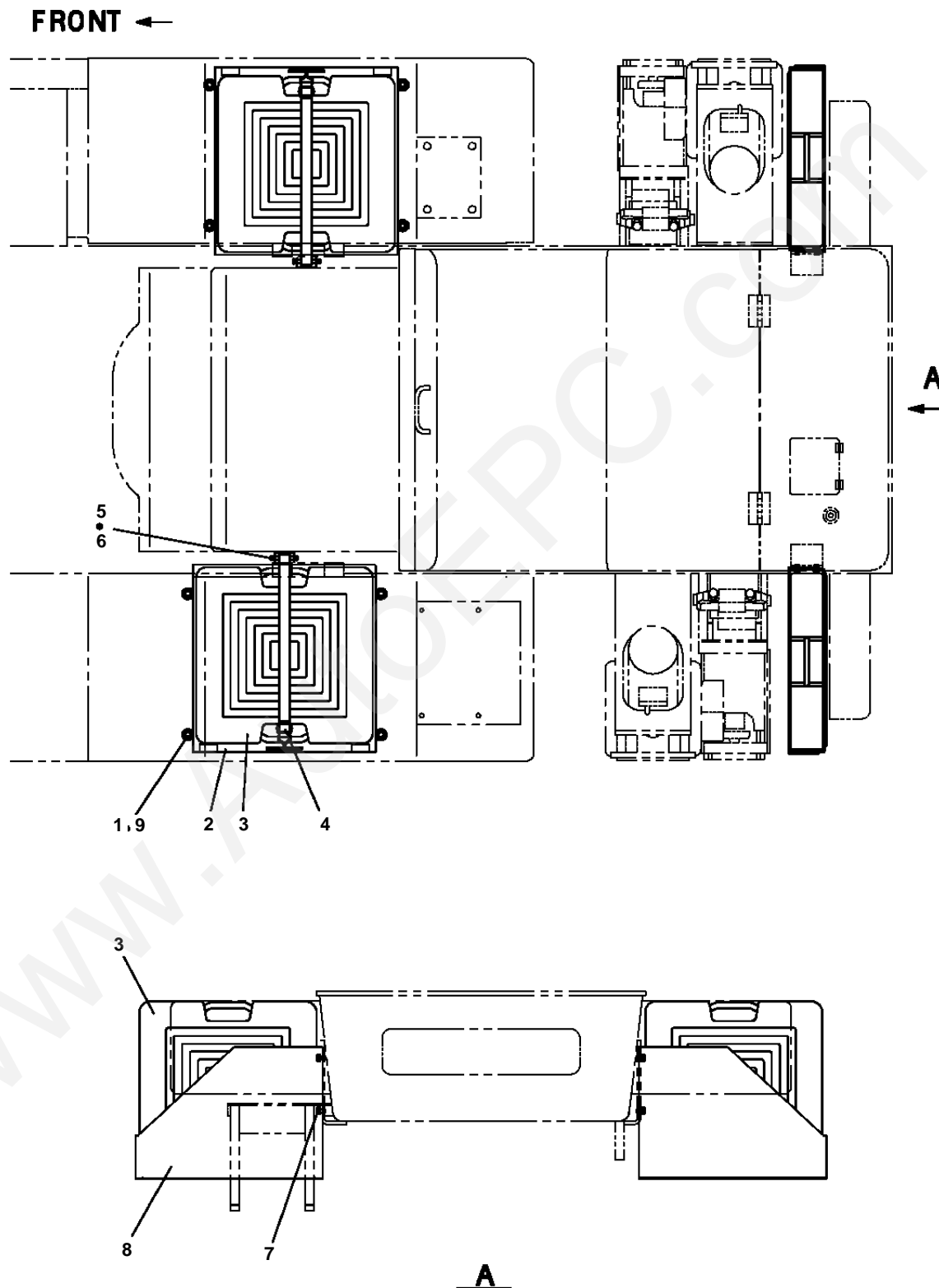
キャブ内左上スイッチパネル

GR-120N-1-00111 12T,X,WINCH(W/O FREE-FALL),JIB(PT)

Pos No.	Parts No	Parts Name	Qty	Unit	Technical Data	Serial No (Start)	Serial No (End)	Remarks	Pages
1	34691576200	SUPPORT ASSY (RIGHT MIRROR)	1						000327
2	34691766200	SUPPORT (MIRROR)	1						
3	34352081410	SWITCH ASSY	1						
4	82400000202	GROMMET	2						
5	82161201010	RELAY	4						
6	80192486012	SCREW,MACHINE	4		M6X12				
7	34731620200	SUPPORT	1						

www.AutoEPC.com

GR-120N-1-00111 12T,X,WINCH(W/O FREE-FALL),JIB(P.T)
PX1270110-01 WOOD BLOCK (MOUNT)



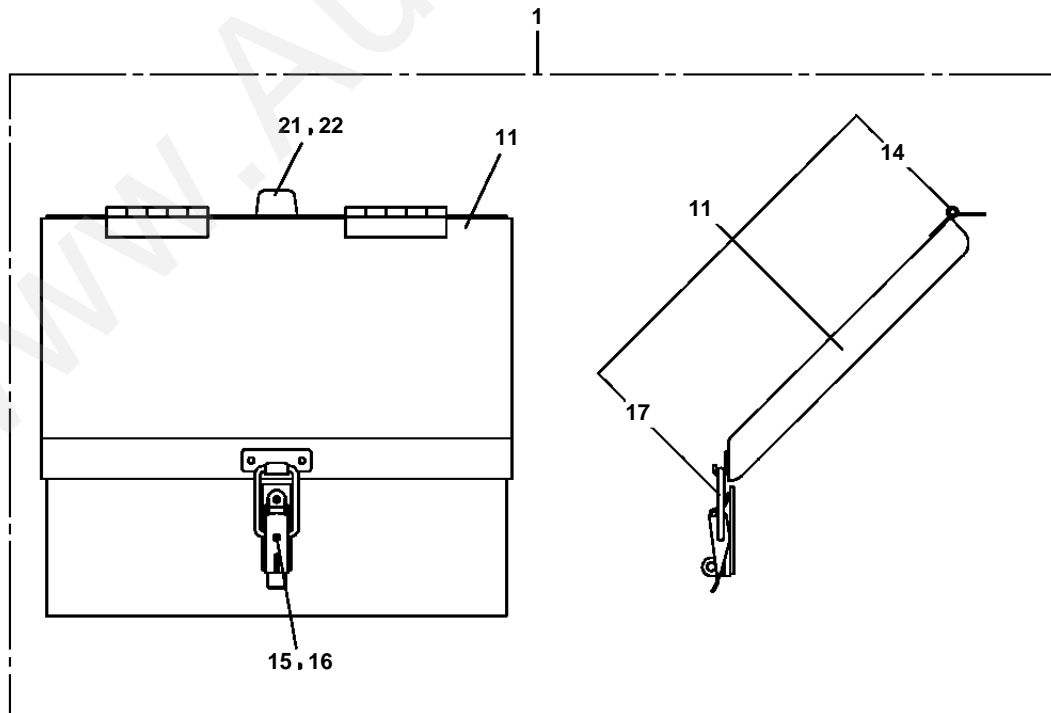
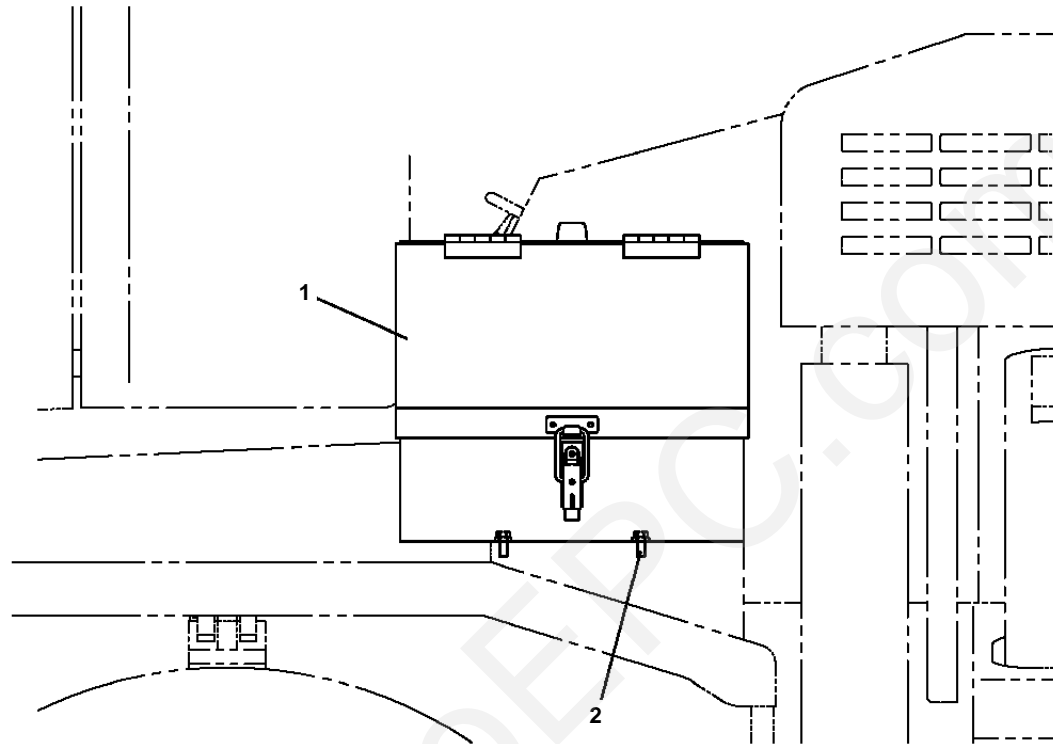
GR-120N-1-00111 12T,X,WINCH(W/O FREE-FALL),JIB(PT)

Pos No.	Parts No	Parts Name	Qty	Unit	Technical Data	Serial No (Start)	Serial No (End)	Remarks	Pages
1	90186210020	BOLT,FLANGE	8		M10X20				
2	34761946100	SUPPORT	2						
3	33731351000	BLOCK	4		500X500,H=90				
4	34478673000	BAND	2						
5	37000117490	PIN	2						
6	80620210100	PIN,SNAP	2						
7	90186210014	BOLT,FLANGE	8		M10X14				
8	34731270700	SUPPORT	2						
9	37000505950	PLATE	8		T=3.2				

www.AutoEPC.com

GR-120N-1-00111 12T,X,WINCH(W/O FREE-FALL),JIB(P
PX1350462-01 BOX,TOOL (MOUNT)

FRONT ←

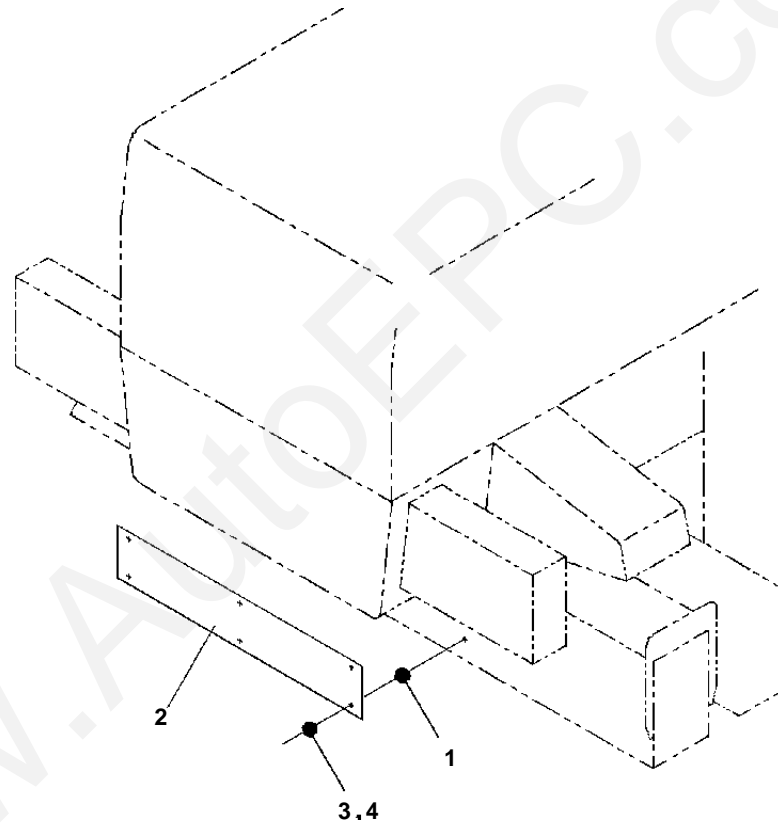


GR-120N-1-00111 12T,X,WINCH(W/O FREE-FALL),JIB(PT)

Pos No.	Parts No	Parts Name	Qty	Unit	Technical Data	Serial No (Start)	Serial No (End)	Remarks	Pages
1	34761945100	BOX,TOOL	1						
2	90186210020	BOLT,FLANGE	4		M10X20				
11	34761949510	COVER ASSY	1						
14	82464110208	HINGE	2						
15	80172304014	SCREW,MACHINE	2		M4X14				
16	90302040401	WASHER,SPRING	2		4				
17	82466022800	CATCH	1						
21	82400000366	INSULATOR	1						
22	80172304016	SCREW,MACHINE	1		M4X16		FD2706		
	80172804016	SCREW,MACHINE	1		M4X16	FD2707			

www.AutoEPC.com

GR-120N-1-00111 12T,X,WINCH(W/O FREE-FALL),JIB(P
PX1360023-00 REFLECTOR (REAR)

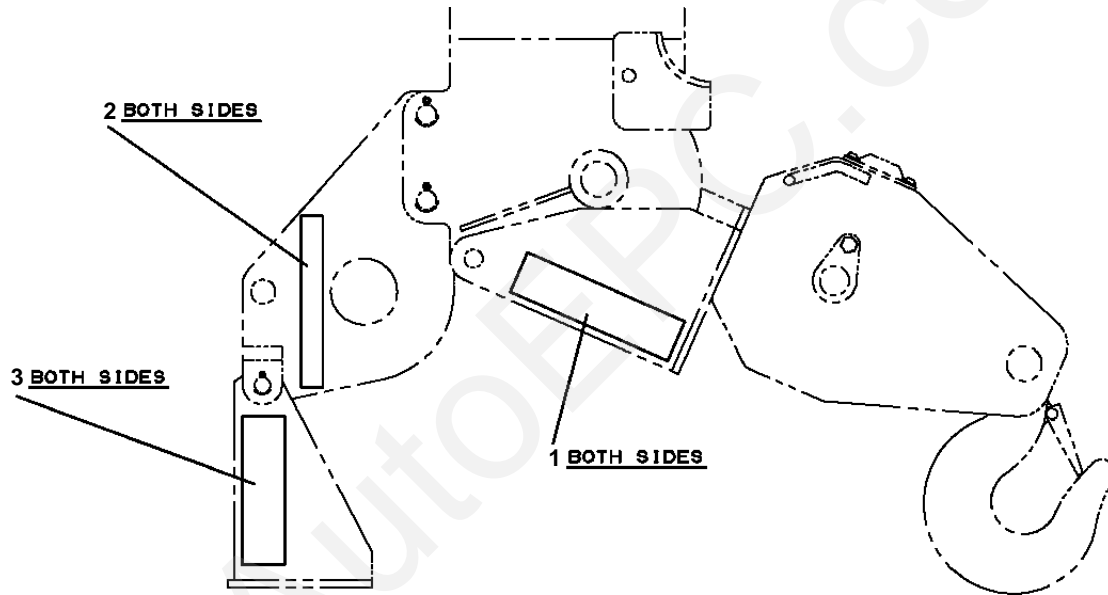


GR-120N-1-00111 12T,X,WINCH(W/O FREE-FALL),JIB(PT)

Pos No.	Parts No	Parts Name	Qty	Unit	Technical Data	Serial No (Start)	Serial No (End)	Remarks	Pages
1	90101206010	BOLT	6		M6X1.0				
2	82440710010	PLATE,REFLECTOR	1						
3	90240200600	NUT,CAP	6		M6				
4	90303070601	WASHER,PLAIN	6		6				

www.AutoEPC.com

GR-120N-1-00111 12T,X,WINCH(W/O FREE-FALL),JIB(P
PX1360035-00 REFLECTOR (BOOM, TOP)

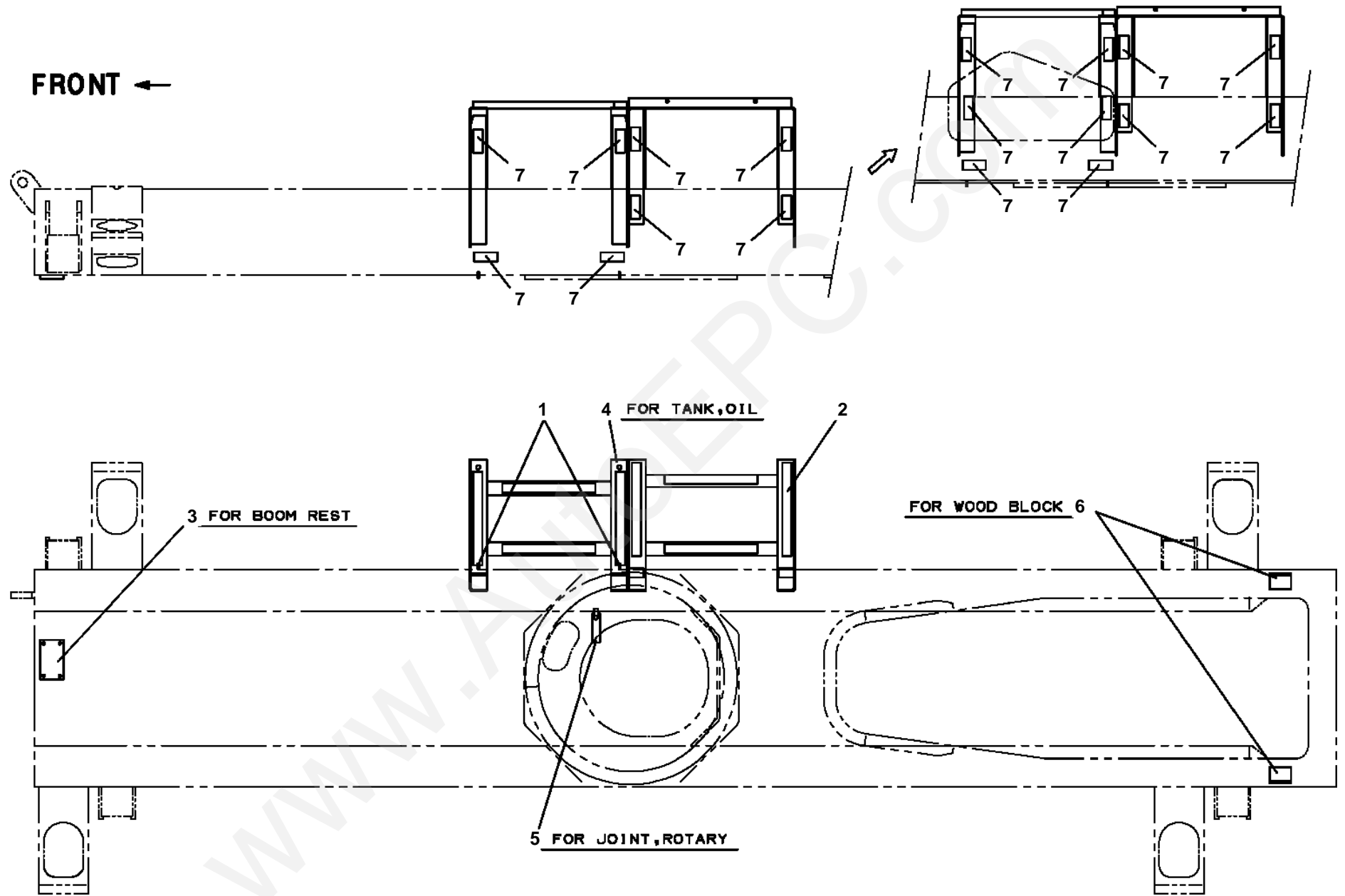


GR-120N-1-00111 12T,X,WINCH(W/O FREE-FALL),JIB(PT)

Pos No.	Parts No	Parts Name	Qty	Unit	Technical Data	Serial No (Start)	Serial No (End)	Remarks	Pages
1	34395197220	PLATE,REFLECTOR (YELLOW)	2				FD0642		
	34396157080	PLATE,REFLECTOR	2			FD0643	FD1496		
	34396157081	PLATE,REFLECTOR	2			FD1497			
2	34395177220	PLATE,REFLECTOR (YELLOW)	2				FD0642		
	34396157050	PLATE,REFLECTOR	2			FD0643	FD1496		
	34396157051	PLATE,REFLECTOR (YELLOW)	2			FD1497			
3	34395247010	PLATE,REFLECTOR (YELLOW)	2				FD0642		
	34396157070	PLATE,REFLECTOR	2			FD0643	FD1496		
	34396157071	PLATE,REFLECTOR (YELLOW)	2			FD1497			

www.AutoEPC.com

GR-120N-1-00111 12T,X,WINCH(W/O FREE-FALL),JIB(PT)
PX1810091-01 MOUNT,SUPPORT(TANK,BOOM REST,WOOD BLOCK)



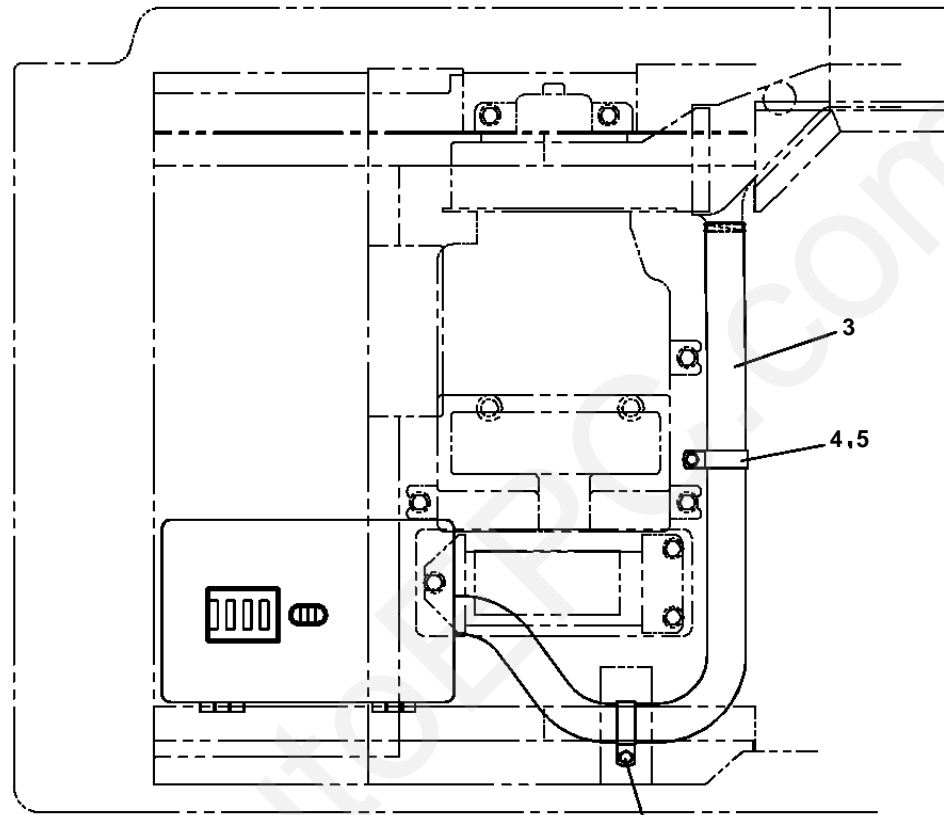
GR-120N-1-00111 12T,X,WINCH(W/O FREE-FALL),JIB(PT)

Pos No.	Parts No	Parts Name	Qty	Unit	Technical Data	Serial No (Start)	Serial No (End)	Remarks	Pages
1	34761944100	SUPPORT	2						
2	34760003130	CUSHION	8						
3	37000551980	PLATE	1						
4	34761944200	SUPPORT	1						
5	34761944400	SUPPORT	1						
6	34761944500	SUPPORT	2						
7	37000520940	PLATE	8						
	37000520940	PLATE	10			FD0675	FD0674		

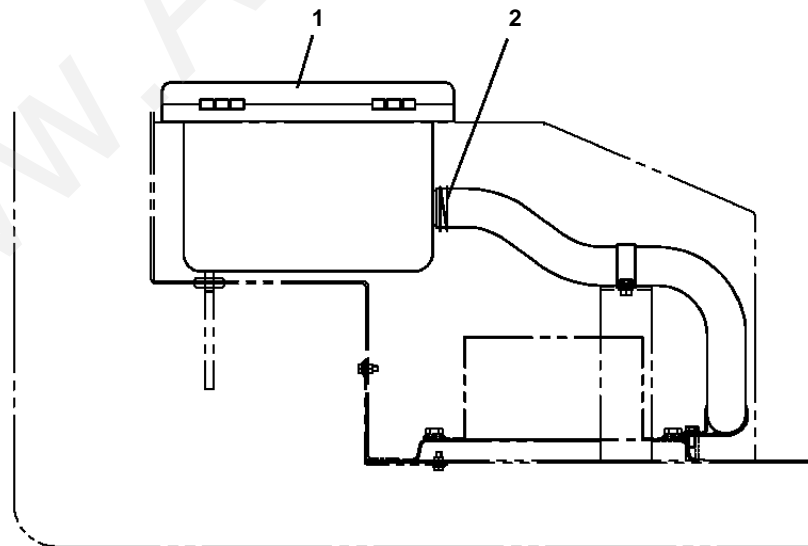
www.AutoEPC.com

GR-120N-1-00111 12T,X,WINCH(W/O FREE-FALL),JIB(PT)
PX1940035-00 MOUNT (COOL BOX)

→ FRONT



4,5



1

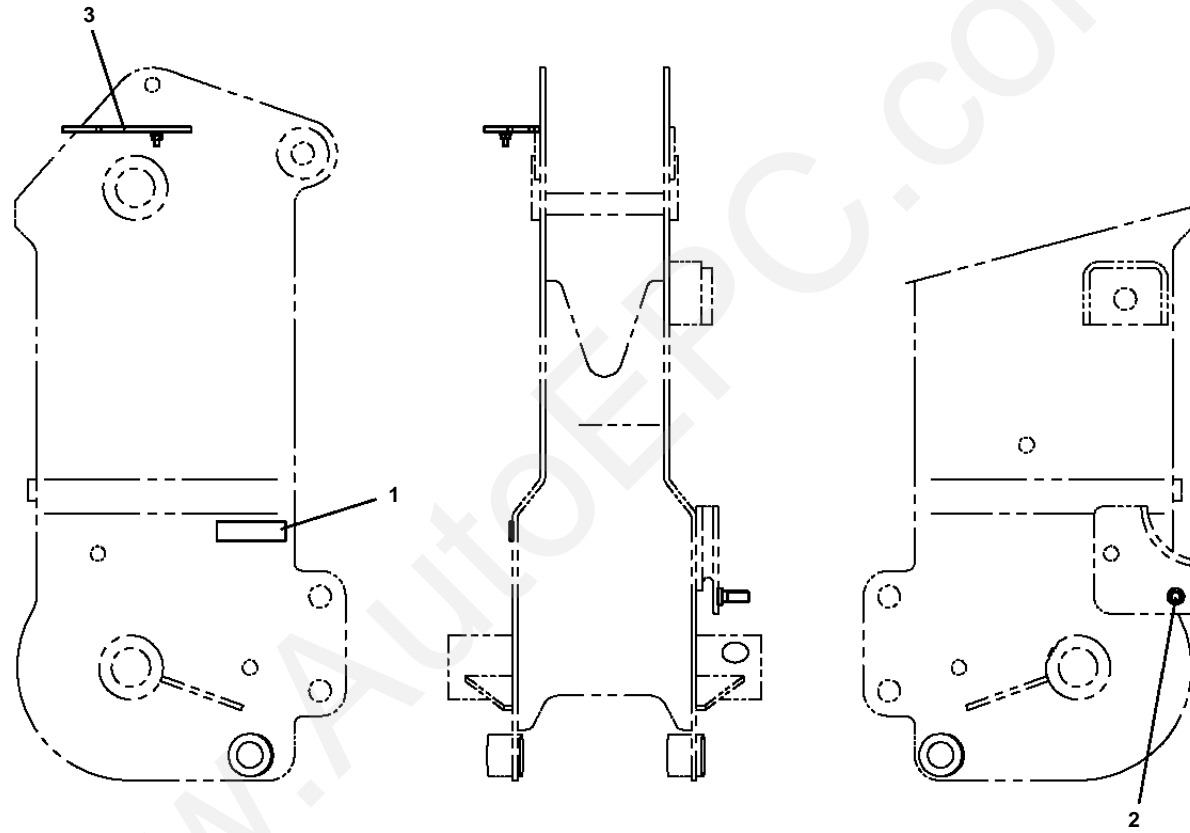
2

GR-120N-1-00111 12T,X,WINCH(W/O FREE-FALL),JIB(PT)

Pos No.	Parts No	Parts Name	Qty	Unit	Technical Data	Serial No (Start)	Serial No (End)	Remarks	Pages
1	34510452800	BOX ASSY (COOL&HOT)	1						
2	91801300480	CLIP	1		D=43-48				
3	34510662100	PIPE,FLEXIBLE	1						
4	37000600120	CLAMP	2		45				
5	99172108016	BOLT,TAPPING	2		M8X16				

www.AutoEPC.com

GR-120N-1-00111 12T,X,WINCH(W/O FREE-FALL),JIB(P.T)
PX5010012-00 MOUNT ASSY (WELDED PARTS/BOOM,HEAD)

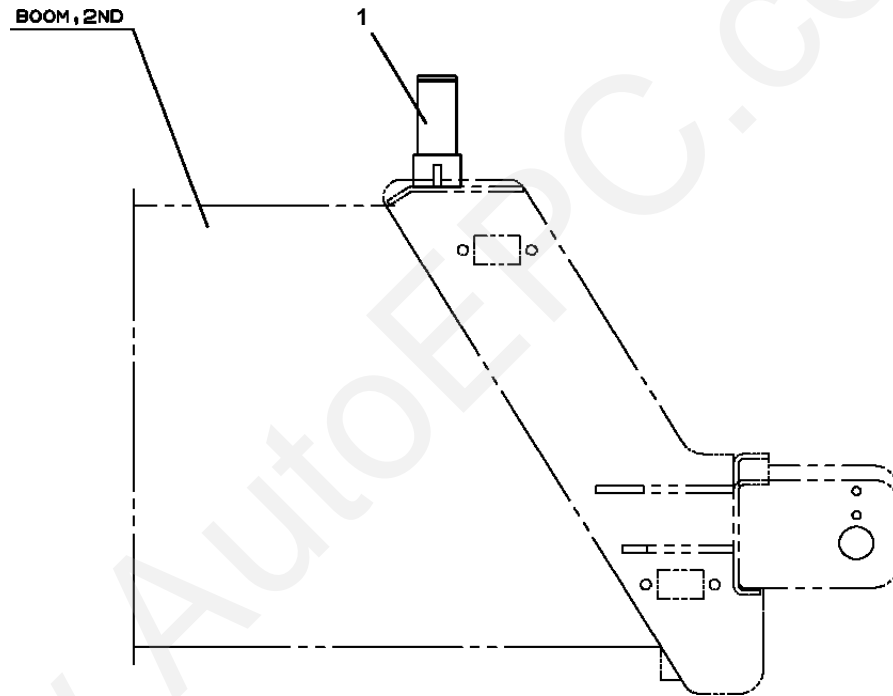


GR-120N-1-00111 12T,X,WINCH(W/O FREE-FALL),JIB(PT)

Pos No.	Parts No	Parts Name	Qty	Unit	Technical Data	Serial No (Start)	Serial No (End)	Remarks	Pages
1	33230000050	PLATE	1						
2	34201471810	SUPPORT	1						
3	33430563020	SUPPORT	1						

www.AutoEPC.com

GR-120N-1-00111 12T,X,WINCH(W/O FREE-FALL),JIB(PT)
PX5010013-00 MOUNT ASSY (WELDED PARTS/BOOM,2ND)

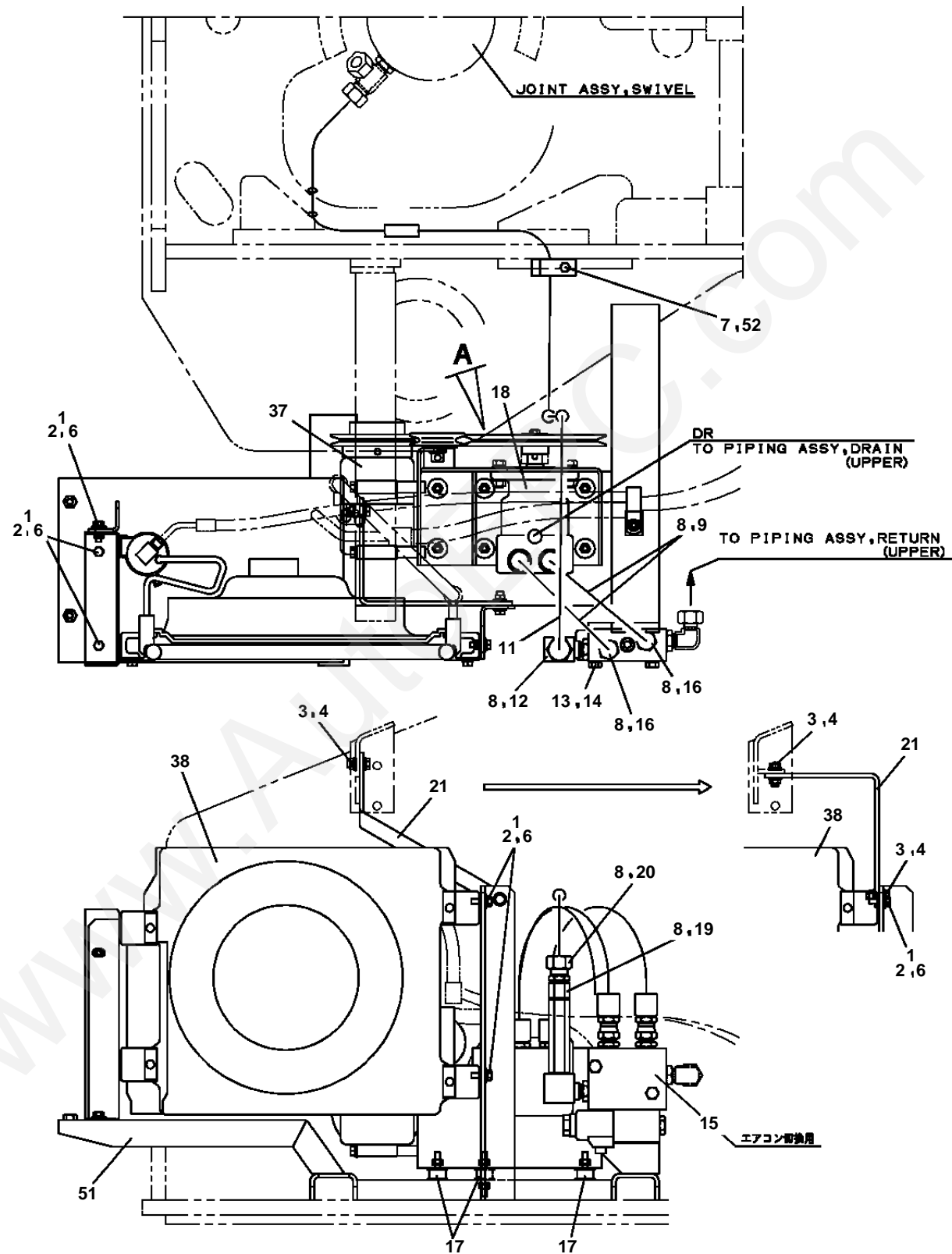


GR-120N-1-00111 12T,X,WINCH(W/O FREE-FALL),JIB(PT)

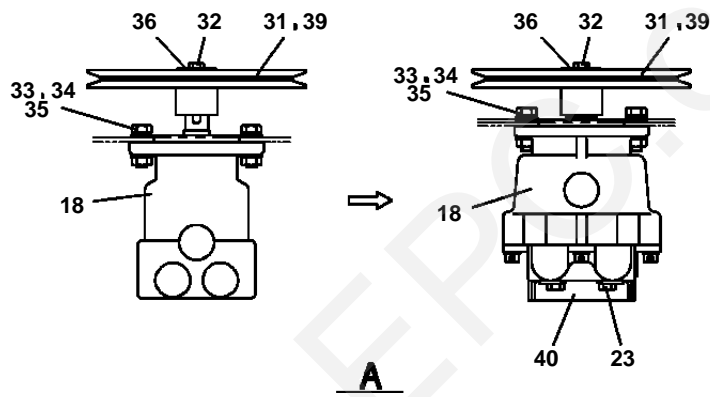
Pos No.	Parts No	Parts Name	Qty	Unit	Technical Data	Serial No (Start)	Serial No (End)	Remarks	Pages
1	34201475900	SUPPORT	1						

www.AutoEPC.com

GR-120N-1-00111 12T,X,WINCH(W/O FREE-FALL),JIB(P.T)
PX5250001-01 MOUNT ASSY,COMPRESSOR



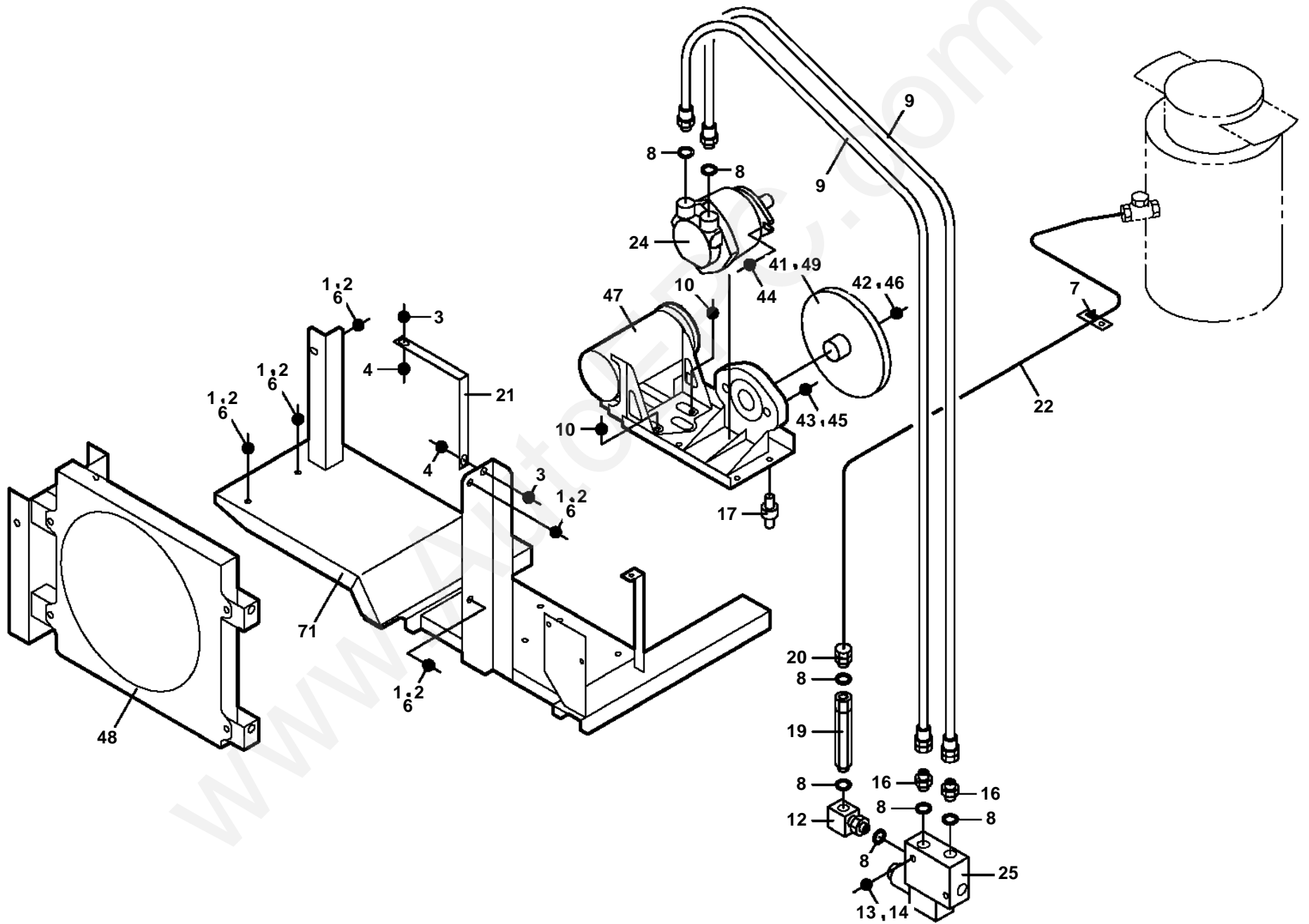
GR-120N-1-00111 12T,X,WINCH(W/O FREE-FALL),JIB(P
PX5250001-01 MOUNT ASSY,COMPRESSOR



GR-120N-1-00111 12T,X,WINCH(W/O FREE-FALL),JIB(PT)

Pos No.	Parts No	Parts Name	Qty	Unit	Technical Data	Serial No (Start)	Serial No (End)	Remarks	Pages
1	90101208020	BOLT	5		M8X20				
2	90302040801	WASHER,SPRING	5		8				
3	90186210025	BOLT,FLANGE	2		M10X25				
4	90280201000	NUT,FLANGE	2		M10				
6	90303071001	WASHER,PLAIN	5		10				
7	37000711010	CLAMP ASSY	1		18X1				
8	91002801800	O-RING	7		1B P18				
9	37002456770	HOSE	2		L=460				
11	81408000241	PIPE,STEEL	2	M	18X1.9T				
12	37000926180	JOINT	1		L,G1/2-G1/2				
13	90101210060	BOLT	2		M10X60				
14	90302041001	WASHER,SPRING	2		10				
15	36645750000	VALVE,SOLENOID	1			FD0490	FD0489		000114
	36740170000	VALVE,SOLENOID	1			FD1266	FD1265		000117
	36741500000	VALVE,SOLENOID	1						000118
16	80400160131	JOINT	2						
17	34471141300	CUSHION	6						
18	36662210000	MOTOR,HYDRAULIC (AIR CONDITIONER)	1				FD0287		000098
	36663440001	MOTOR,HYDRAULIC	1			FD0288	FD0890		000100
	36663440003	MOTOR,HYDRAULIC	1			FD0891			000101
19	36624530000	VALVE,CHECK	1						000127
20	80302090241	FITTING	1		KCO18-040N				
21	34510661500	SUPPORT	1				FD1440		
	34510661501	SUPPORT	1			FD1441			
23	90186208014	BOLT,FLANGE	2		M8X14	FD0288			
31	36320392240	PULLEY	1						
32	36320202320	BOLT	1		M8X20		FD0287		
	36320572030	BOLT (PULLEY)	1			FD0288			
33	36320202330	BOLT	2		M10X35				
34	36320202350	NUT	2		M10				
35	36320202340	WASHER,PLAIN	2						
36	36320202300	WASHER,PLAIN	1						
37	36320532020	COMPRESSOR	1				FD0287		000353
	36320572010	COMPRESSOR	1			FD0288			000355
38	36320532030	CONDENSER	1						000354
39	36320532300	BELT,V	1						
40	36320572020	SUPPORT	1			FD0288			
51	34510661200	SUPPORT	1				FD1883		
	34510661700	SUPPORT(IP)	1			FD0323	FD1883		
52	37000500730	PLATE	1						

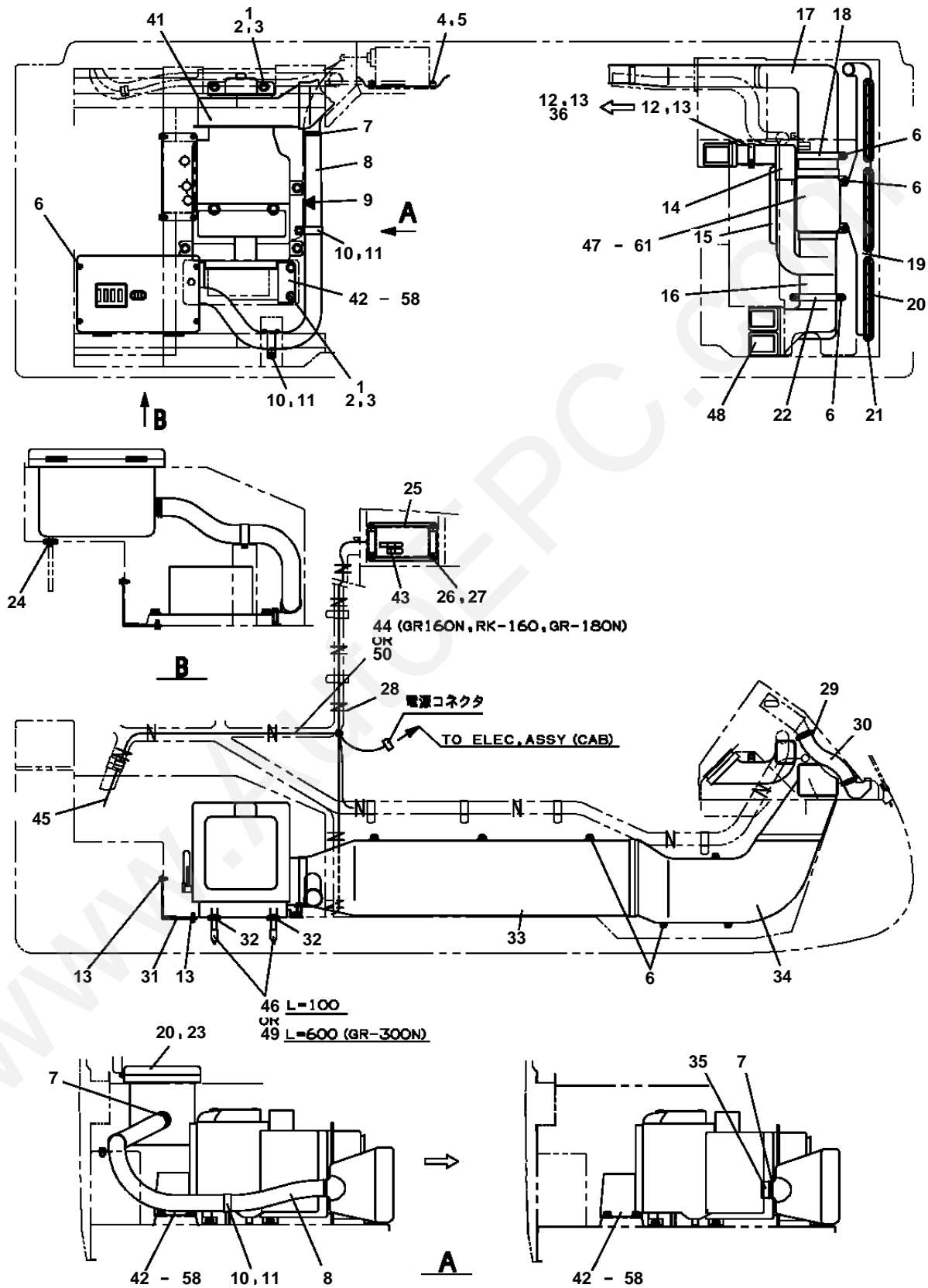
GR-120N-1-00111 12T,X,WINCH(W/O FREE-FALL),JIB(P.T)
PX5250002-01 MOUNT ASSY,COMPRESSOR



GR-120N-1-00111 12T,X,WINCH(W/O FREE-FALL),JIB(PT)

Pos No.	Parts No	Parts Name	Qty	Unit	Technical Data	Serial No (Start)	Serial No (End)	Remarks	Pages
1	90101208020	BOLT	5		M8X20				
2	90302040801	WASHER,SPRING	5		8				
3	90186210025	BOLT,FLANGE	2		M10X25				
4	90280201000	NUT,FLANGE	2		M10				
6	90303071001	WASHER,PLAIN	5		10				
7	37000711010	CLAMP ASSY	1		18X1				
8	91002801800	O-RING	7		1B P18				
9	37002456770	HOSE	2		L=460				
10	90303070801	WASHER,PLAIN	2		8				
12	37000926180	JOINT	1		L,G1/2-G1/2				
13	90101210060	BOLT	2		M10X60				
14	90302041001	WASHER,SPRING	2		10				
16	80400160131	JOINT	2						
17	34471141300	CUSHION	6						
19	36624530000	VALVE,CHECK	1						000127
20	80302090241	FITTING	1		KCO18-040N				
21	34510661501	SUPPORT	1						
22	81408000241	PIPE,STEEL	2	M	18X1.9T				
24	36663440003	MOTOR,HYDRAULIC	1						000101
25	36741500000	VALVE,SOLENOID	1						000118
41	36320392240	PULLEY	1						
42	36320572030	BOLT (PULLEY)	1						
43	36320732200	BOLT (MOTOR)	2		M10X45				
44	36320202350	NUT	2		M10				
45	36320202340	WASHER,PLAIN	2						
46	36320202300	WASHER,PLAIN	1						
47	36320732010	COMPRESSOR ASSY	1				FD2135		000050
	36320732011	COMPRESSOR ASSY	1			FD2136			000051
48	36320532030	CONDENSER	1						000354
49	36320732100	BELT	1						
71	34510661701	SUPPORT(IP)	1			FD1884			
	34510661201	SUPPORT	1			FD1884			
72	37000500730	PLATE	1						

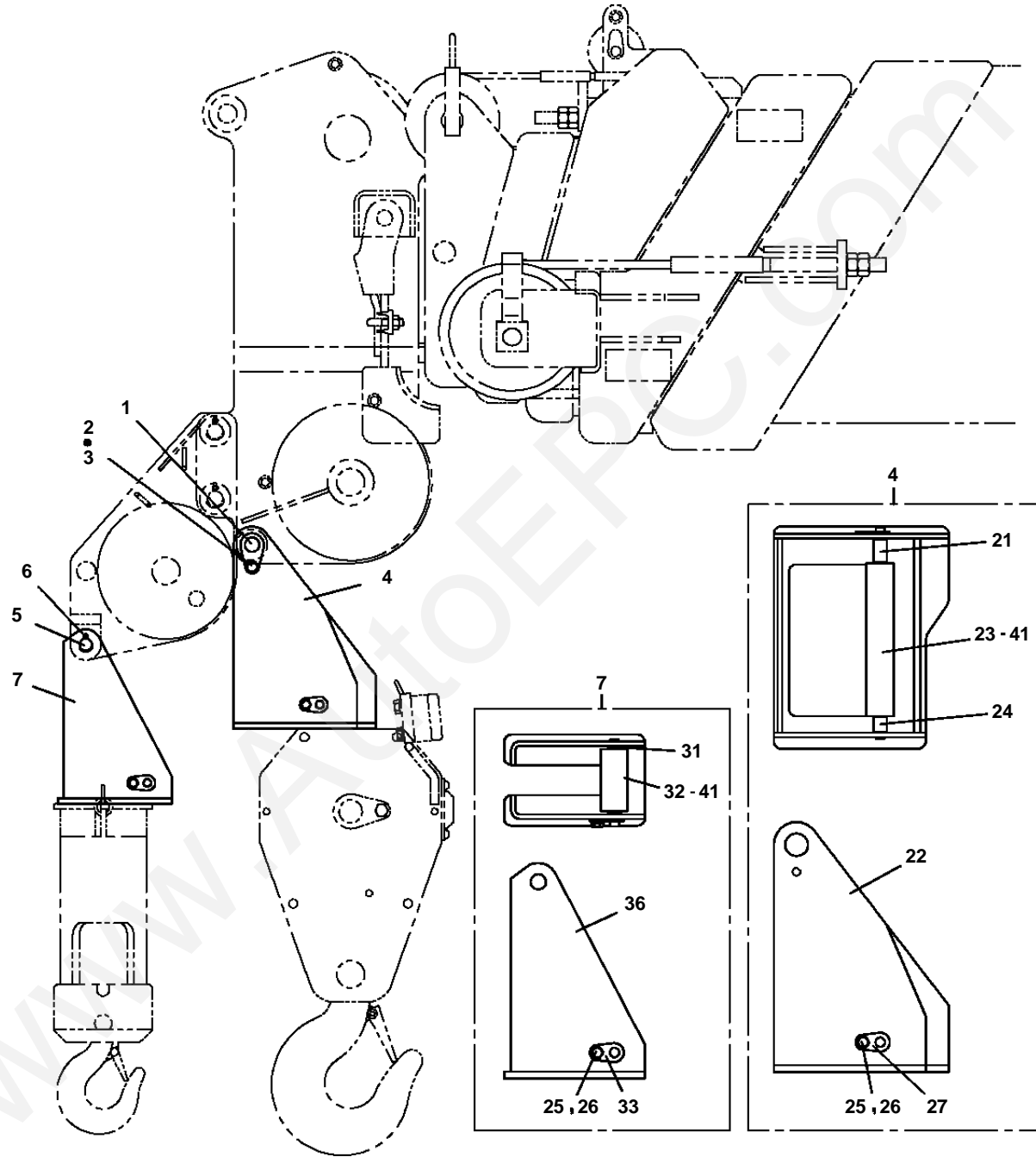
GR-120N-1-00111 12T,X,WINCH(W/O FREE-FALL),JIB(P.T)
 PX5320001-01 MOUNT ASSY, EVAPORATOR



GR-120N-1-00111 12T,X,WINCH(W/O FREE-FALL),JIB(PT)

Pos No.	Parts No	Parts Name	Qty	Unit	Technical Data	Serial No (Start)	Serial No (End)	Remarks	Pages
1	90101210020	BOLT	8		M10X20				
2	90302041001	WASHER,SPRING	8		10				
3	90303071201	WASHER,PLAIN	8		12				
4	80172305010	SCREW,MACHINE	4		M5X10				
5	90302040501	WASHER,SPRING	4		5				
6	80192486012	SCREW,MACHINE	18		M6X12		FD0428		
	80192486012	SCREW,MACHINE	14		M6X12	FD0429			
7	91801300480	CLIP	2		D=43-48		FD0428		
	91801300480	CLIP	1		D=43-48	FD0429			
8	34510662100	PIPE,FLEXIBLE	1				FD0428		
9	82100000539	CLAMP	1		H-50				
10	37000600120	CLAMP	2		45		FD0428		
11	99172108016	BOLT,TAPPING	2		M8X16		FD0428		
12	34510283600	CLAMP	1						
13	99172106016	BOLT,TAPPING	5		M6X16				
14	34510452700	DUCT	1						
15	34510452500	DUCT	1						
16	34510452600	DUCT	1						
17	34510452300	DUCT	1						
18	34510283500	CLAMP	1						
19	34510452400	DUCT	1						
20	34510282900	NOZZLE	3						
21	80176404008	SCREW,MACHINE	6		M4X8				
22	34510283400	CLAMP	1						
23	34510452800	BOX ASSY (COOL&HOT)	1				FD0428		
24	82100000952	GROMMET	1						
25	34510502100	COVER	1						
26	80176405012	SCREW,MACHINE	4		M5X12				
27	90305260501	WASHER	4		B1-5				
28	91810130250	FASTENER	13						
29	91801300400	CLIP	2		AK=1040				
30	34510453400	PIPE,FLEXIBLE	1		35X38X200				
31	34510662200	COVER	1				FD0886		
	34510662201	COVER	1			FD0887			
32	82400000220	GROMMET	2						
33	34510662300	DUCT	1						
34	34510452200	DUCT	1						
35	80457334123	CAP	1			FD0429			
36	90303070801	WASHER,PLAIN	2		8	FD1654			
41	36320532010	EVAPORATOR	1						000352
42	36320392061	BOX ASSY (IN/OUT AIR SELECT)	1						
43	36320412090	SWITCH ASSY	1						
44	36320602100	HARNESS (EVAPORATER)	1						
45	36320532200	HARNESS (COMPRESSOR)	1						
46	36320392051	HOSE,DRAIN	2		L=100				
47	36320412070	DISTRIBUTOR ASSY (AIR)	1						
48	34476723250	GRILL,AIR OUTLET	1						
49	36320542040	HOSE,DRAIN	2		L=600				
50	36320532100	HARNESS (EVAPORATER)	1						
58	36320395091	SERVOMOTOR ASSY (BOX,AIR CONDITIONER)	1						
61	36320415110	MOTOR,SERVO	1						

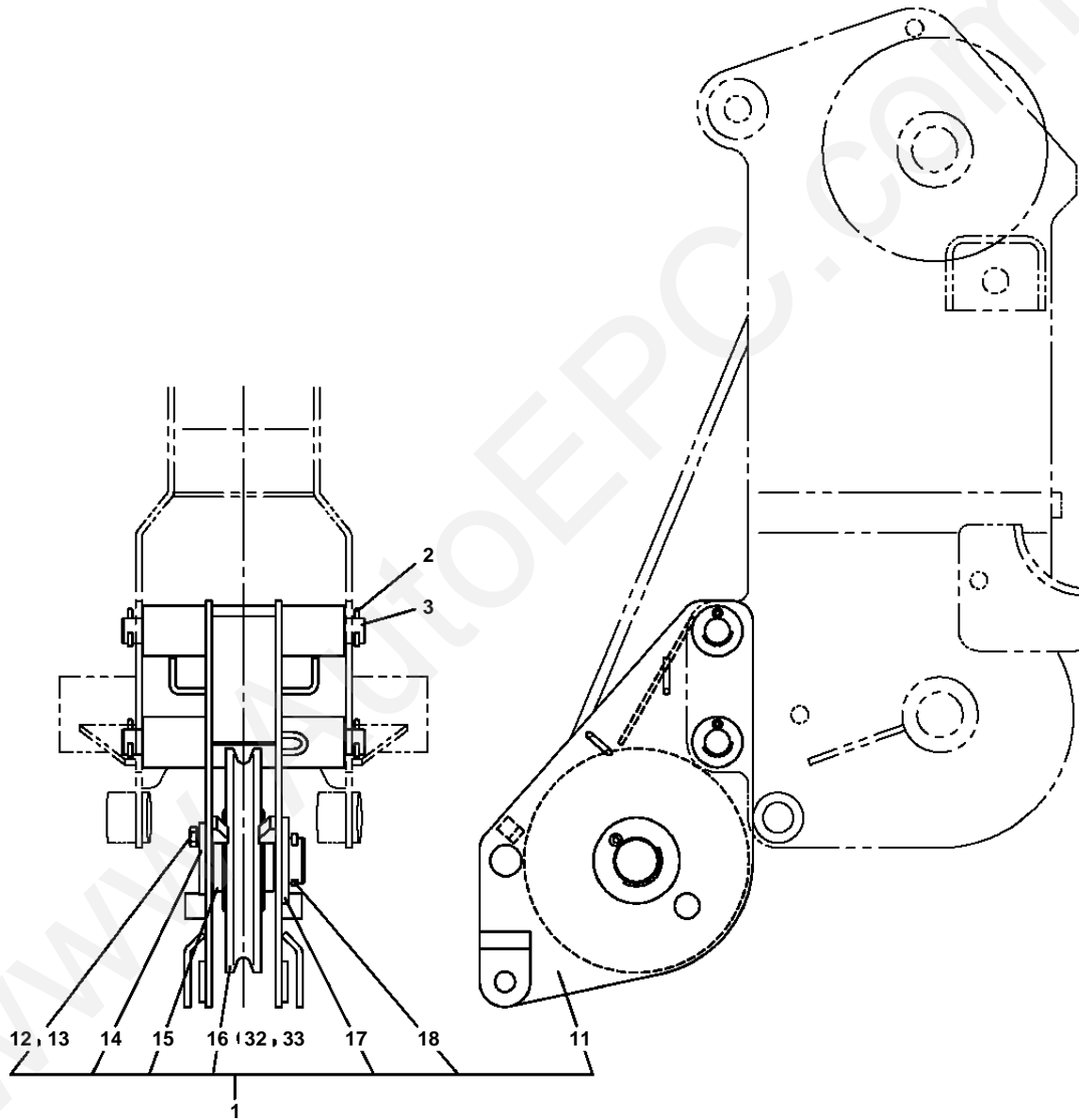
GR-120N-1-00111 12T,X,WINCH(W/O FREE-FALL),JIB(P.T)
PX5440001-00 MOUNT ASSY,HOOK (HOOK-IN)



GR-120N-1-00111 12T,X,WINCH(W/O FREE-FALL),JIB(PT)

Pos No.	Parts No	Parts Name	Qty	Unit	Technical Data	Serial No (Start)	Serial No (End)	Remarks	Pages
1	37000178770	PIN	1						
2	90101210014	BOLT	1		M10X14				
3	90302041001	WASHER,SPRING	1		10				
4	34443351000	SUPPORT ASSY	1						
5	37000142940	PIN	2						
6	80136340040	PIN,SPLIT	2		4X40				
7	34443352000	SUPPORT ASSY	1						
21	37000304160	SPACER	1		L=30				
22	34443351100	SUPPORT	1						
	34443351600	SUPPORT (IP)	1			FD0316			
23	37001109100	ROLLER ASSY	1						
24	37000308580	SPACER	1		L=20				
25	90101208012	BOLT	2		M8X12				
26	90302040801	WASHER,SPRING	2		8				
27	37000151840	PIN	1						
31	37000303970	SPACER	2		L=2.5				
32	37001105120	ROLLER ASSY	1						
33	37000170890	PIN	1						
36	34443352100	SUPPORT	1						
	34443352600	SUPPORT (IP)	1			FD0316			
41	80516006001	BEARING,BALL	4						

GR-120N-1-00111 12T,X,WINCH(W/O FREE-FALL),JIB(P
PY1030119-00 SINGLE TOP

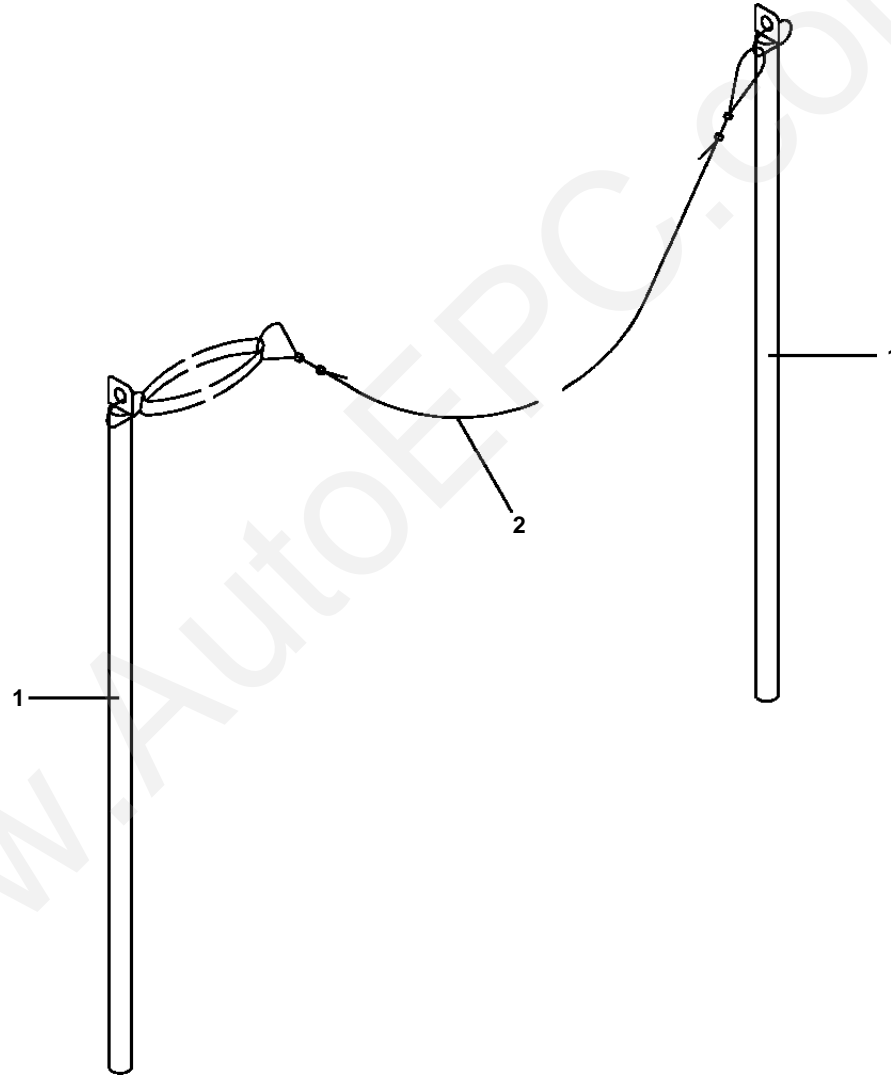


GR-120N-1-00111 12T,X,WINCH(W/O FREE-FALL),JIB(PT)

Pos No.	Parts No	Parts Name	Qty	Unit	Technical Data	Serial No (Start)	Serial No (End)	Remarks	Pages
1	34500411000	SINGLE TOP ASSY	1						
2	80136350045	PIN,SPLIT	4		5X45				
3	37000178460	PIN	2						
11	34500411100	SINGLE TOP	1						
12	90101212018	BOLT	1		M12X18				
13	90302041201	WASHER,SPRING	1		12				
14	37000178590	PIN	1						
15	37000312180	SPACER	2						
16	37001008410	SHEAVE ASSY	1						
17	90303074501	WASHER,PLAIN	1		45				
18	80136363071	PIN,SPLIT	1		6.3X71				
32	80602110850	RING,RITAINING	1		R85				
33	80515006209	BEARING,BALL	2						

www.AutoEPC.com

GR-120N-1-00111 12T,X,WINCH(W/O FREE-FALL),JIB(P
PY1070010-00 ROPE (SAFETY,FOR X-O/R)

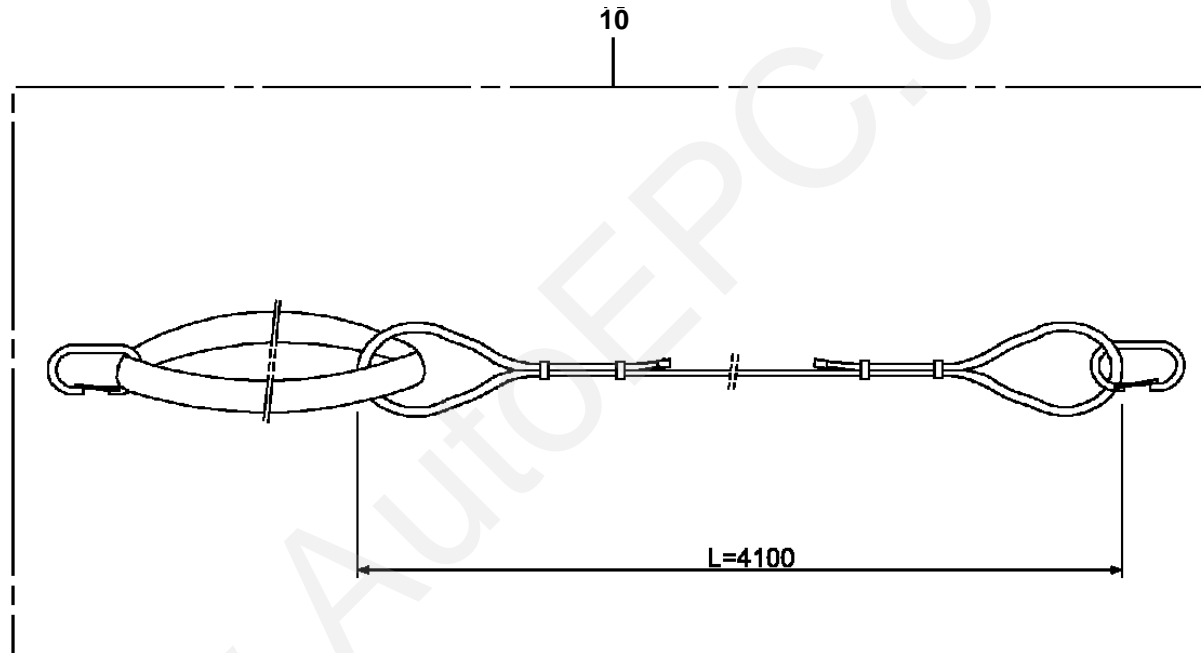


GR-120N-1-00111 12T,X,WINCH(W/O FREE-FALL),JIB(PT)

Pos No.	Parts No	Parts Name	Qty	Unit	Technical Data	Serial No (Start)	Serial No (End)	Remarks	Pages
1	34732090100	POLE	4						000344
2	34732091000	ROPE	2						

www.AutoEPC.com

GR-120N-1-00111 12T,X,WINCH(W/O FREE-FALL),JIB(PT)
PY1070011-00 ROPE

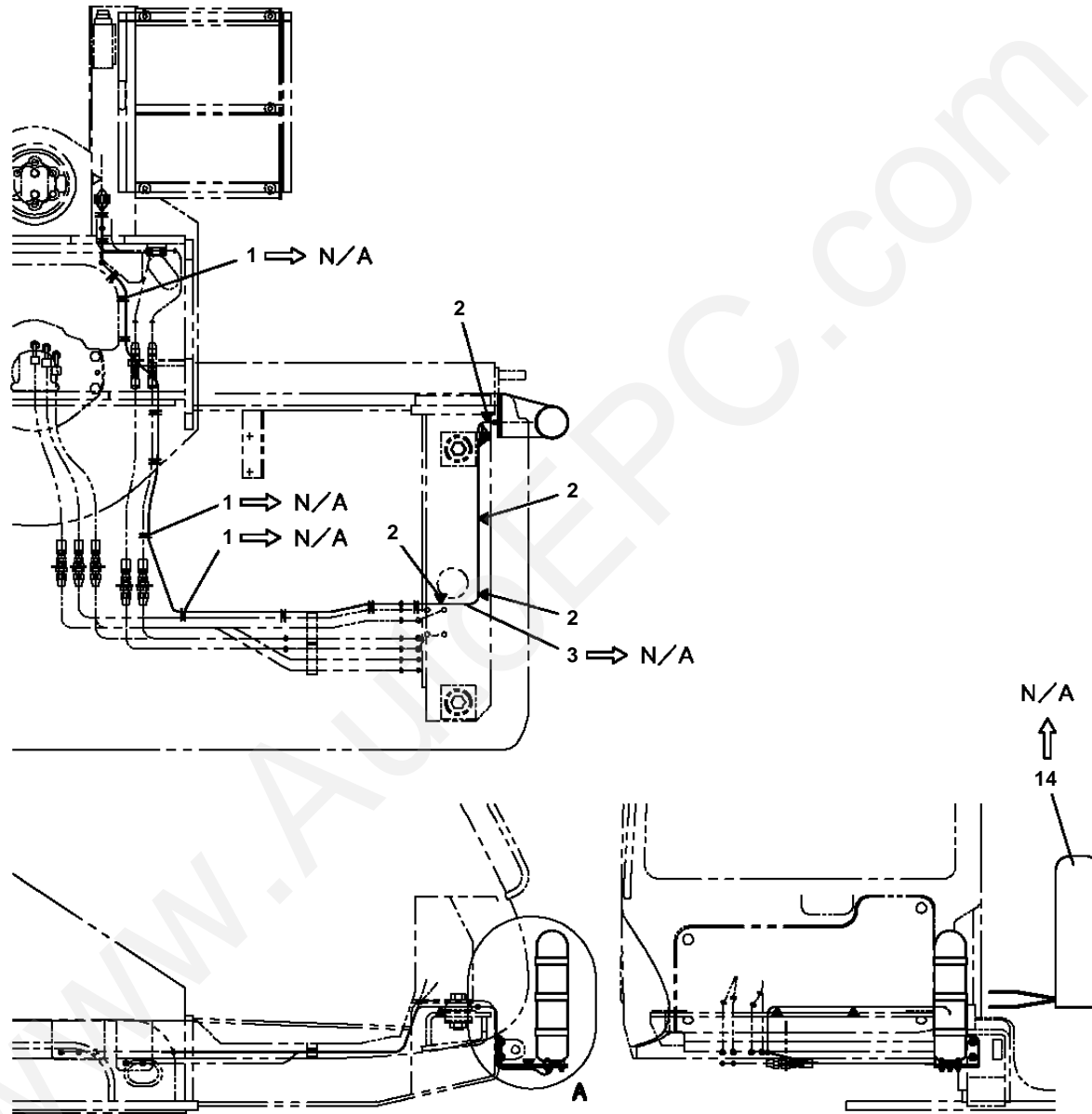


GR-120N-1-00111 12T,X,WINCH(W/O FREE-FALL),JIB(PT)

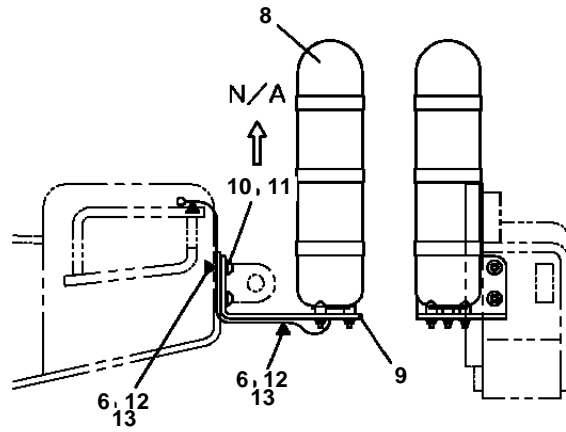
Pos No.	Parts No	Parts Name	Qty	Unit	Technical Data	Serial No (Start)	Serial No (End)	Remarks	Pages
10	34732091000	ROPE	1						

www.AutoEPC.com

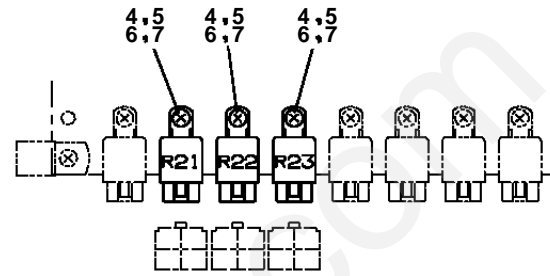
GR-120N-1-00111 12T,X,WINCH(W/O FREE-FALL),JIB(P
PY1180176-03 LAMP (AML)



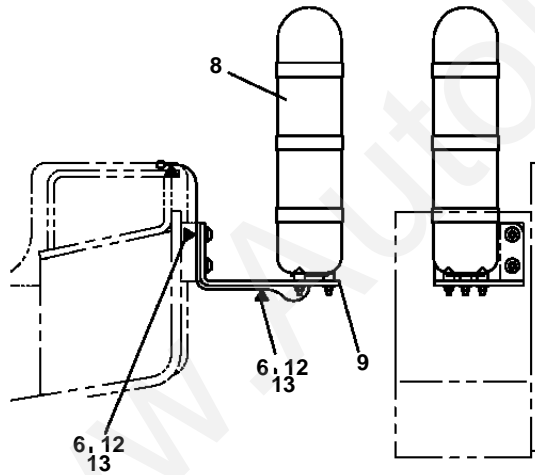
GR-120N-1-00111 12T,X,WINCH(W/O FREE-FALL),JIB(PT)
 PY1180176-03 LAMP (AML)



TR-100M, GR-120N
 GR-100N, RK-120

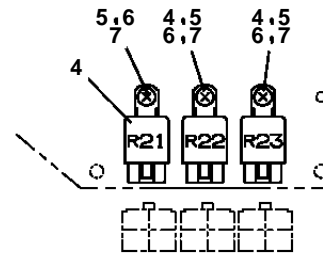


TR-100M

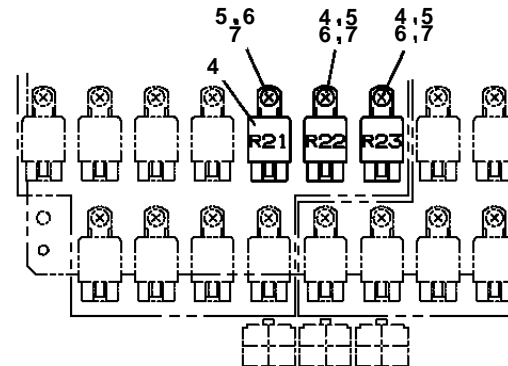


TR-160M-3
 TR-200EXC

A



TR-160M-3
 TR-200EXC



GR-120N
 GR-100N
 RK-120

電装ボックス内

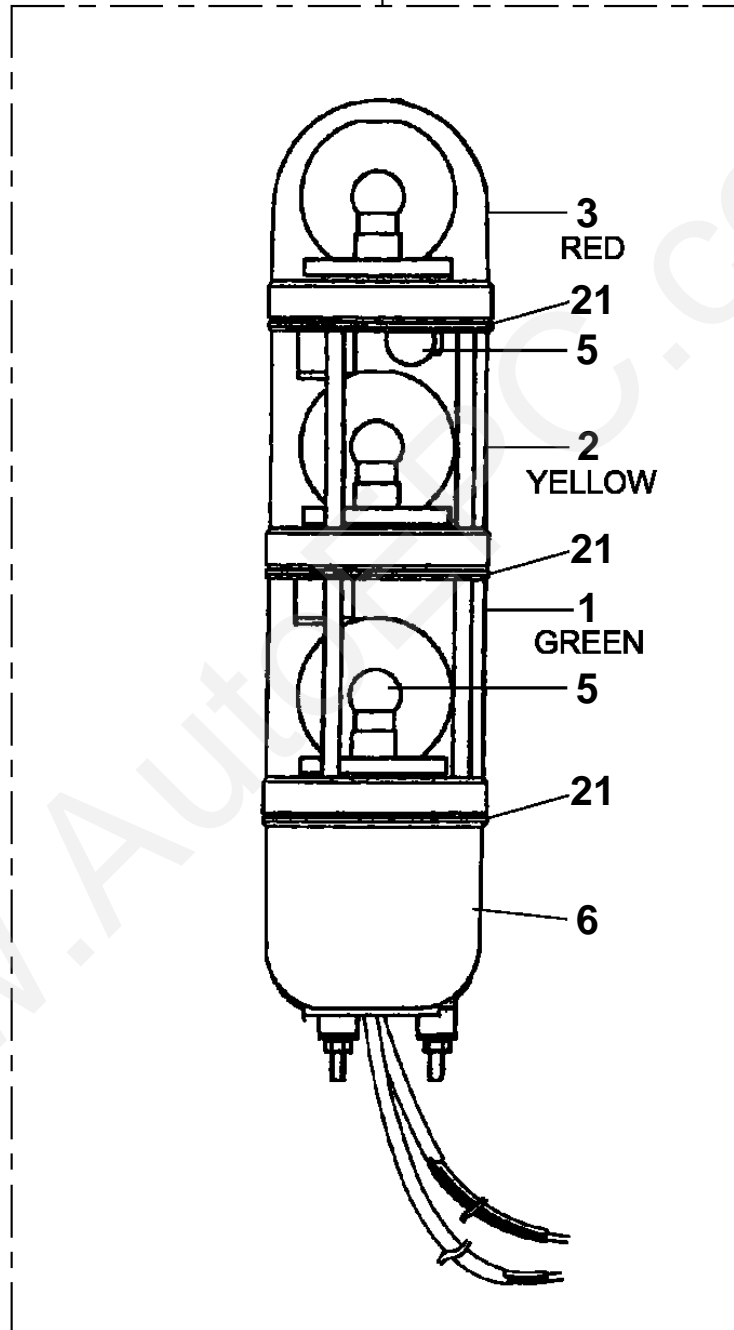
GR-120N-1-00111 12T,X,WINCH(W/O FREE-FALL),JIB(PT)

Pos No.	Parts No	Parts Name	Qty	Unit	Technical Data	Serial No (Start)	Serial No (End)	Remarks	Pages
2	8210000539	CLAMP	1		H-50				
4	82100002596	RELAY	3						
5	80182306010	SCREW,MACHINE	3		M6X10				
6	90302040601	WASHER,SPRING	5		6				
7	90303070601	WASHER,PLAIN	3		6				
8	34477871000	LAMP,AML	1						000346
9	34477870100	SUPPORT	1						
12	82100002002	CLAMP	2		WR6				
13	90201200600	NUT	2		M6				
14	34477870300	COVER	1						

www.AutoEPC.com

GR-120N-1-00111 12T,X,WINCH(W/O FREE-FALL),JIB(P.T)
PY1180184-06 LAMP,AML

50

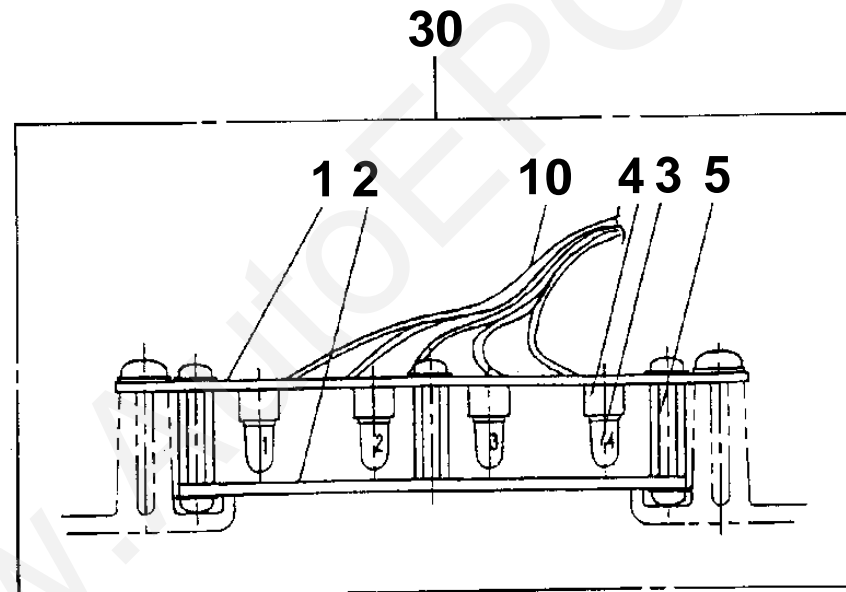


GR-120N-1-00111 12T,X,WINCH(W/O FREE-FALL),JIB(PT)

Pos No.	Parts No	Parts Name	Qty	Unit	Technical Data	Serial No (Start)	Serial No (End)	Remarks	Pages
1	34477877530	GLOBE (GREEN)	1						
2	34477877520	GLOBE (YELLOW)	1						
3	34477877510	GLOBE (RED)	1						
5	82165907090	BULB,LAMP	4		24V 5W				
6	34477877540	BODY	1						
21	34477877550	PACKING	3						
50	34477871000	LAMP,AML	1						

www.AutoEPC.com

GR-120N-1-00111 12T,X,WINCH(W/O FREE-FALL),JIB(P
PY1180193-00 LAMP (INDICATOR,DRUM)(FAMOTH)

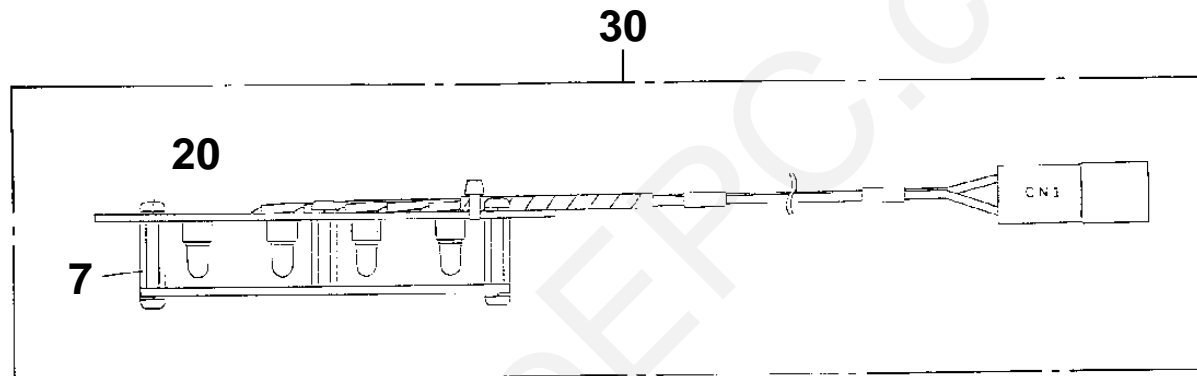


GR-120N-1-00111 12T,X,WINCH(W/O FREE-FALL),JIB(PT)

Pos No.	Parts No	Parts Name	Qty	Unit	Technical Data	Serial No (Start)	Serial No (End)	Remarks	Pages
1	34478047510	BOARD,CIRCUIT	1						
2	34478047520	PANEL	1						
3	34478047530	LED	4						
4	34478047540	SPACER	4						
5	34478047550	SPACER	3						
10	34478047560	CABLE	1		0.5 AV 30X5				
30	34478041000	LAMP (INDICATOR,DRUM)(FAMOTH)	1						

www.AutoEPC.com

GR-120N-1-00111 12T,X,WINCH(W/O FREE-FALL),JIB(P
PY1180218-00 LAMP (INDICATOR,DRUM)(SIC)

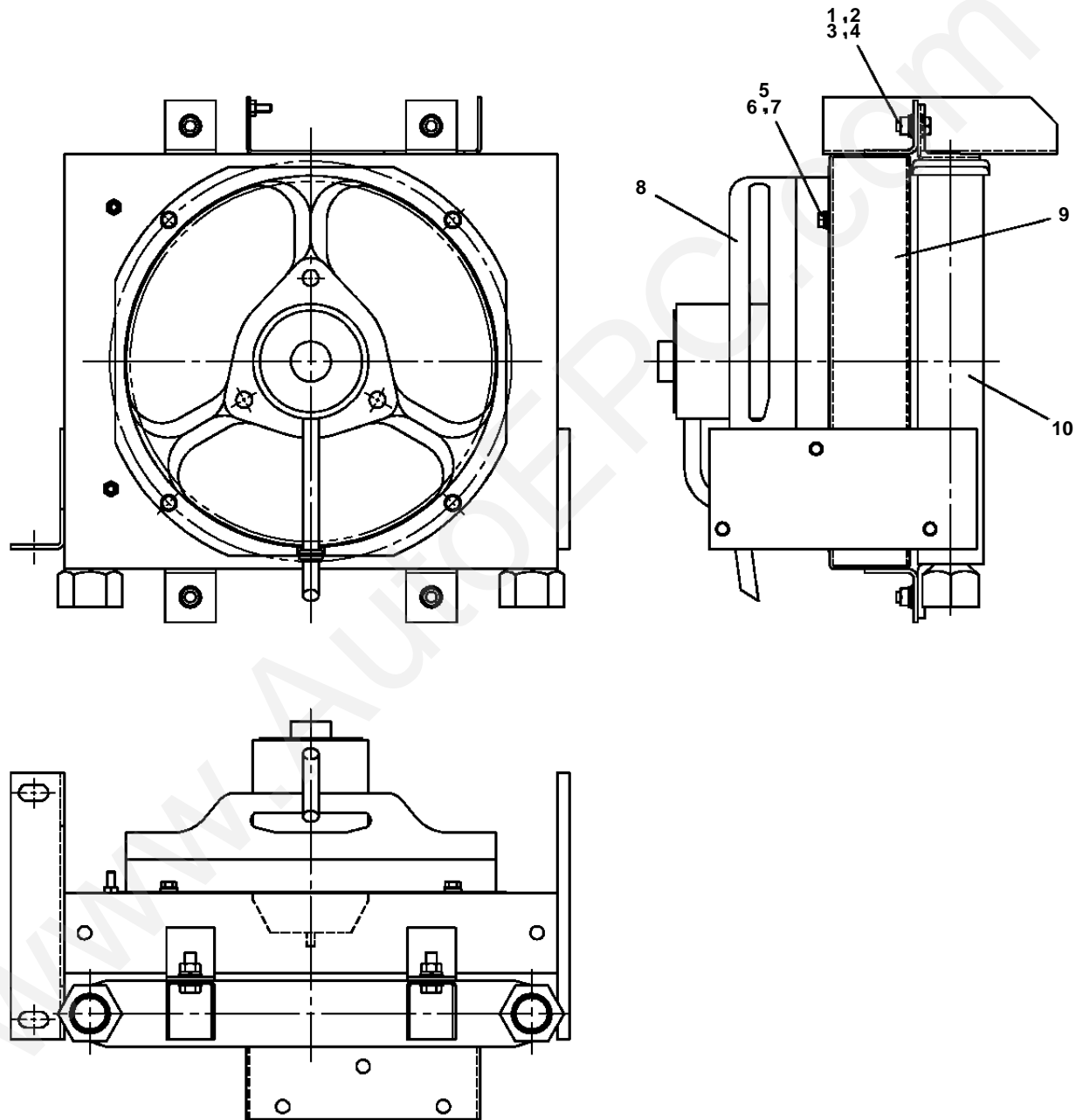


GR-120N-1-00111 12T,X,WINCH(W/O FREE-FALL),JIB(PT)

Pos No.	Parts No	Parts Name	Qty	Unit	Technical Data	Serial No (Start)	Serial No (End)	Remarks	Pages
7	34478047580	SPACER	3						
20	34478047570	BOARD ASSY (WITH HARNESS)	1						
30	34478042100	LAMP (INDICATOR,DRUM)(SIC)	1						

www.AutoEPC.com

GR-120N-1-00111 12T,X,WINCH(W/O FREE-FALL),JIB(P
PY1300011-00 COOLER,OIL

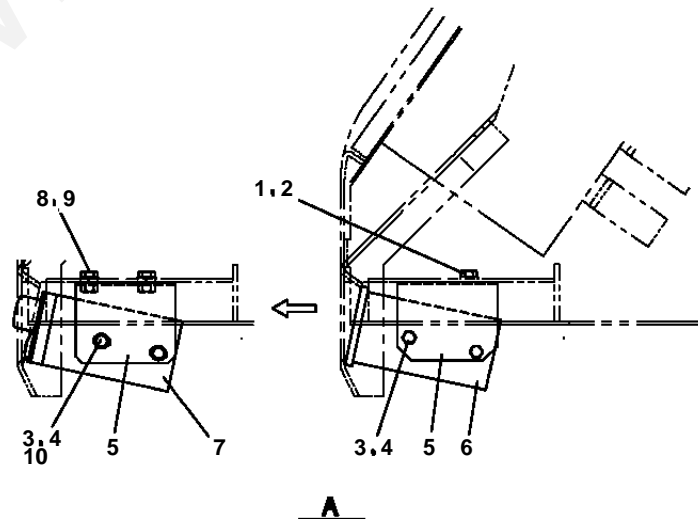
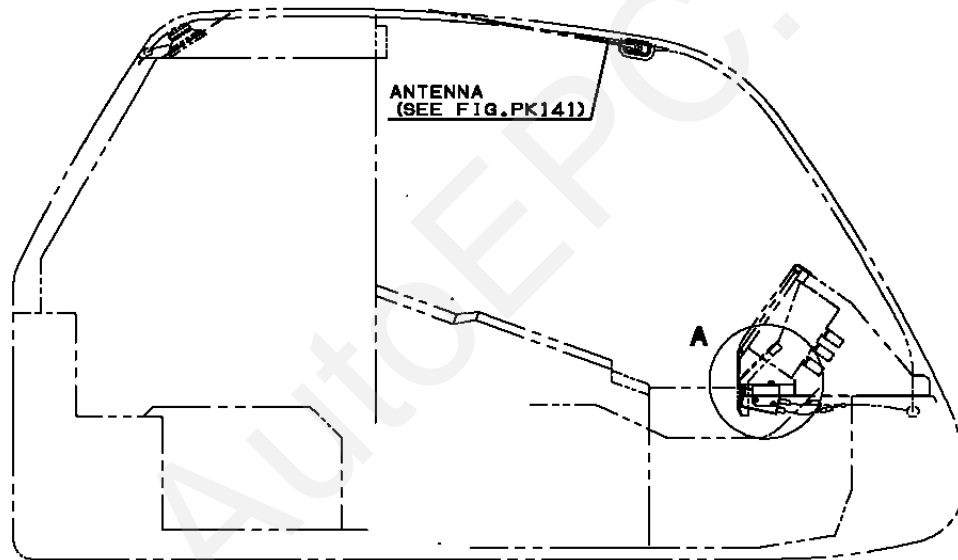
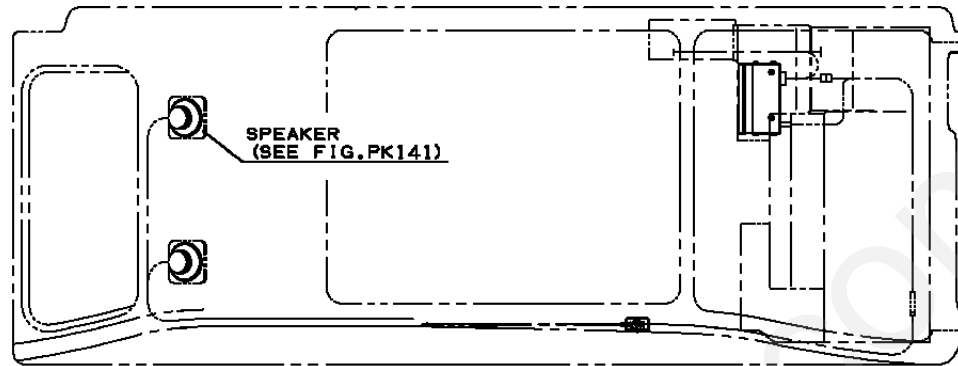


GR-120N-1-00111 12T,X,WINCH(W/O FREE-FALL),JIB(PT)

Pos No.	Parts No	Parts Name	Qty	Unit	Technical Data	Serial No (Start)	Serial No (End)	Remarks	Pages
1	90101208020	BOLT	4		M8X20				
2	90201200800	NUT	4		M8				
3	90302040801	WASHER,SPRING	4		8				
4	90303070801	WASHER,PLAIN	8		8				
5	90101206014	BOLT	4		M6X14				
6	90302040601	WASHER,SPRING	4		6				
7	90303070601	WASHER,PLAIN	4		6				
8	36900160000	FAN	1						000351
9	34640705201	SUPPORT	1						
10	36690240000	COOLER,OIL	1						

www.AutoEPC.com

GR-120N-1-00111 12T,X,WINCH(W/O FREE-FALL),JIB(P.T)
PY1350024-03 RADIO INSTALLATION



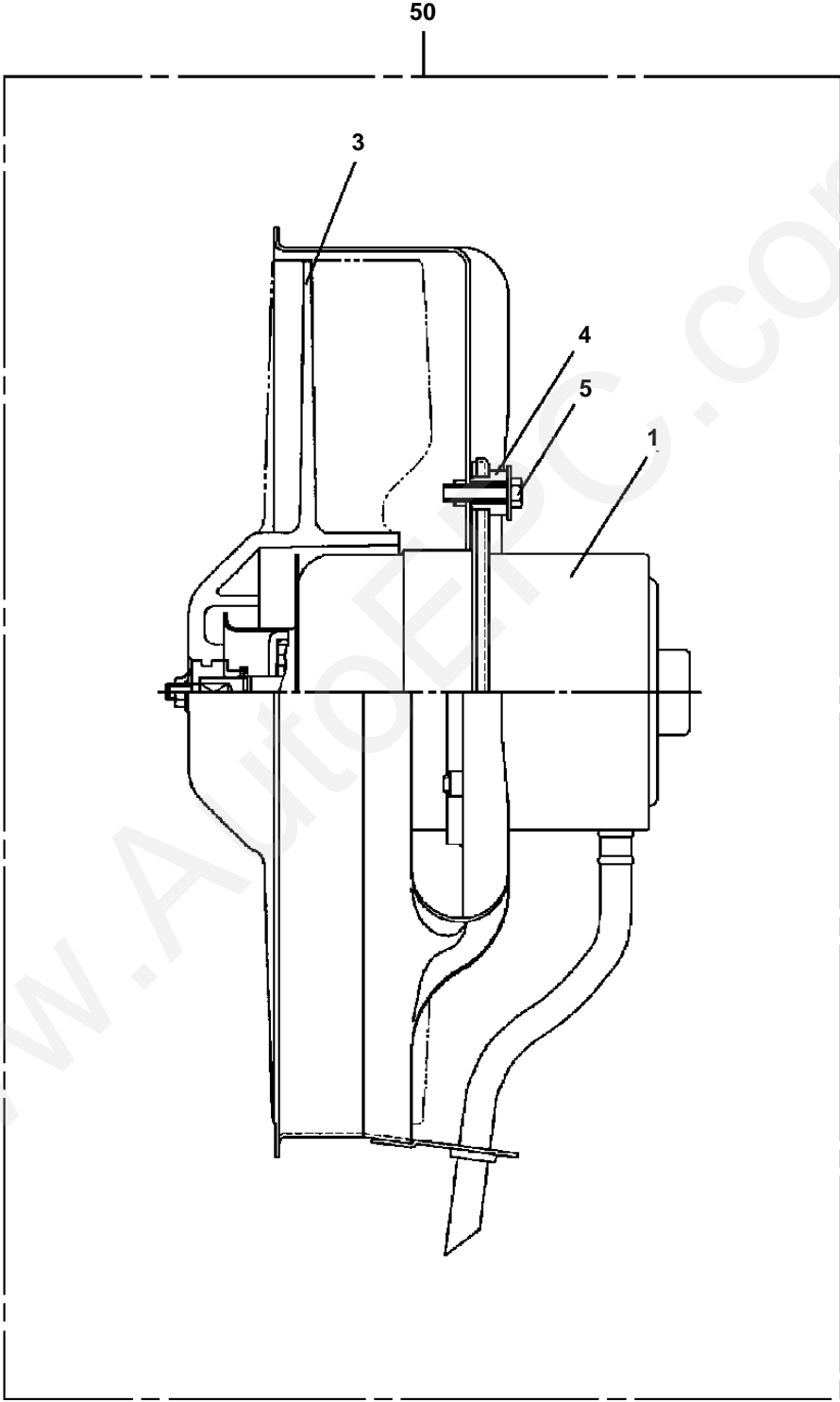
GR-120N-1-00111 12T,X,WINCH(W/O FREE-FALL),JIB(PT)

Pos No.	Parts No	Parts Name	Qty	Unit	Technical Data	Serial No (Start)	Serial No (End)	Remarks	Pages
1	99172106012	BOLT,TAPPING	2		M6X12		FD0428		
3	90101205010	BOLT	4		M5X10				
4	90302040501	WASHER,SPRING	4		5				
5	34477860100	SUPPORT	1				FD0428		
	34477860101	SUPPORT	1			FD0429			
6	34478190100	RADIO	1				FD0428		
	34478191000	RADIO	1			FD0429	FD1140		
	34478191001	RADIO	1			FD1141			
8	90101206010	BOLT	2		M6X1.0	FD0429			
9	90302040601	WASHER,SPRING	2		6	FD0429			
10	90303070501	WASHER,PLAIN	4		5	FD0429			

www.AutoEPC.com

GR-120N-1-00111 12T,X,WINCH(W/O FREE-FALL),JIB(P.T)

PY1360019-01 FAN



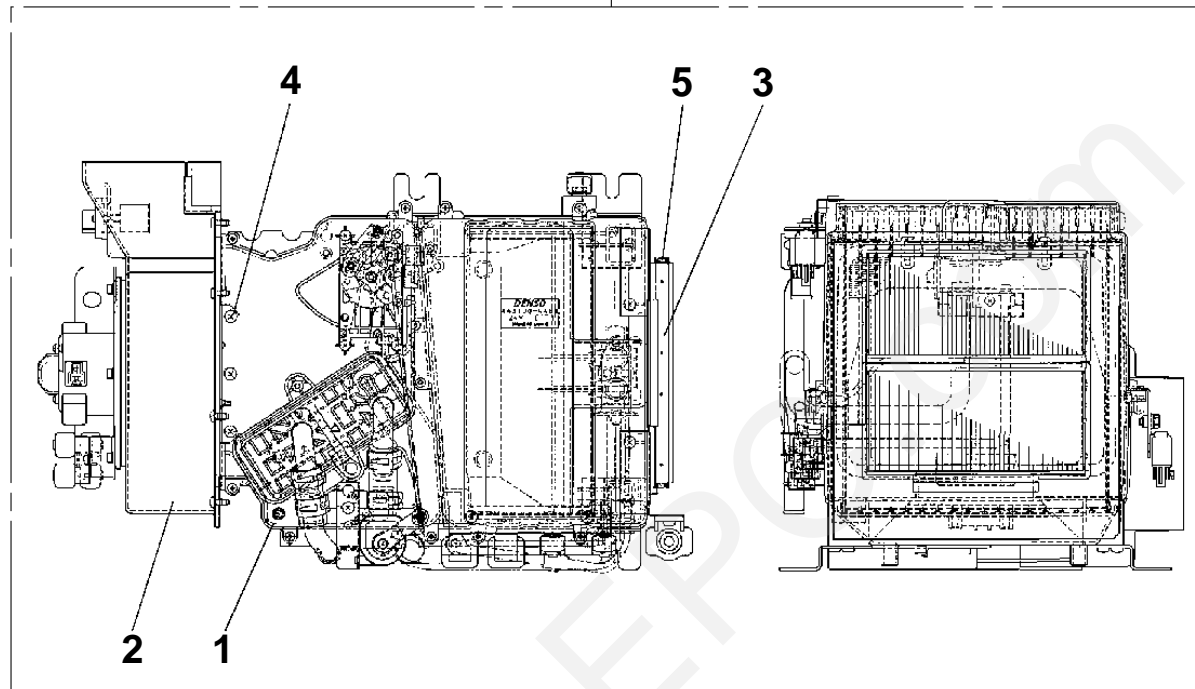
GR-120N-1-00111 12T,X,WINCH(W/O FREE-FALL),JIB(PT)

Pos No.	Parts No	Parts Name	Qty	Unit	Technical Data	Serial No (Start)	Serial No (End)	Remarks	Pages
1	36900165010	MOTOR ASSY	1						
3	36900165020	FAN	1						
4	36900165030	CUSHION ASSY	3						
5	36900165040	BOLT (WITH WASHER)	3						
50	36900160000	FAN	1						

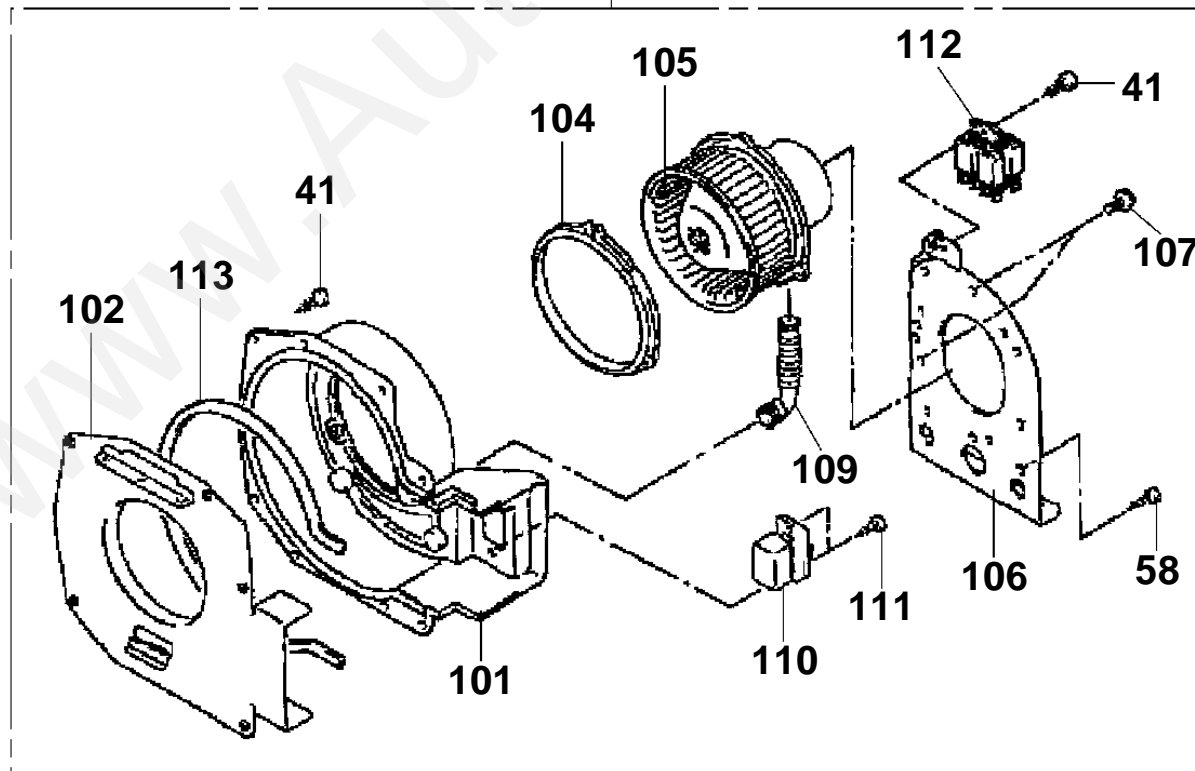
www.AutoEPC.com

GR-120N-1-00111 12T,X,WINCH(W/O FREE-FALL),JIB(P
PY1370021-00 EVAPORATOR

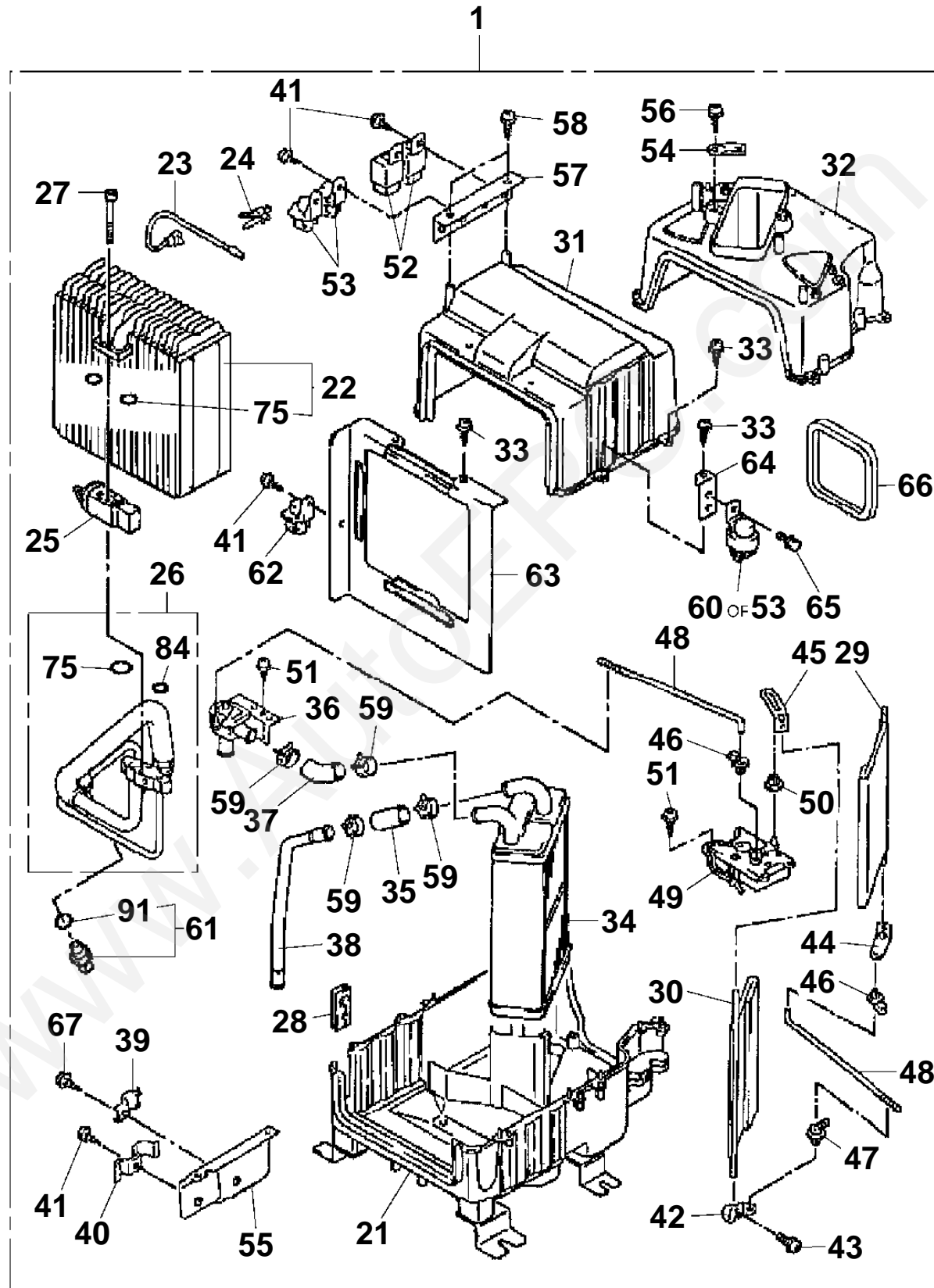
200



2



GR-120N-1-00111 12T,X,WINCH(W/O FREE-FALL),JIB(P.T)
PY1370021-00 EVAPORATOR



GR-120N-1-00111 12T,X,WINCH(W/O FREE-FALL),JIB(PT)

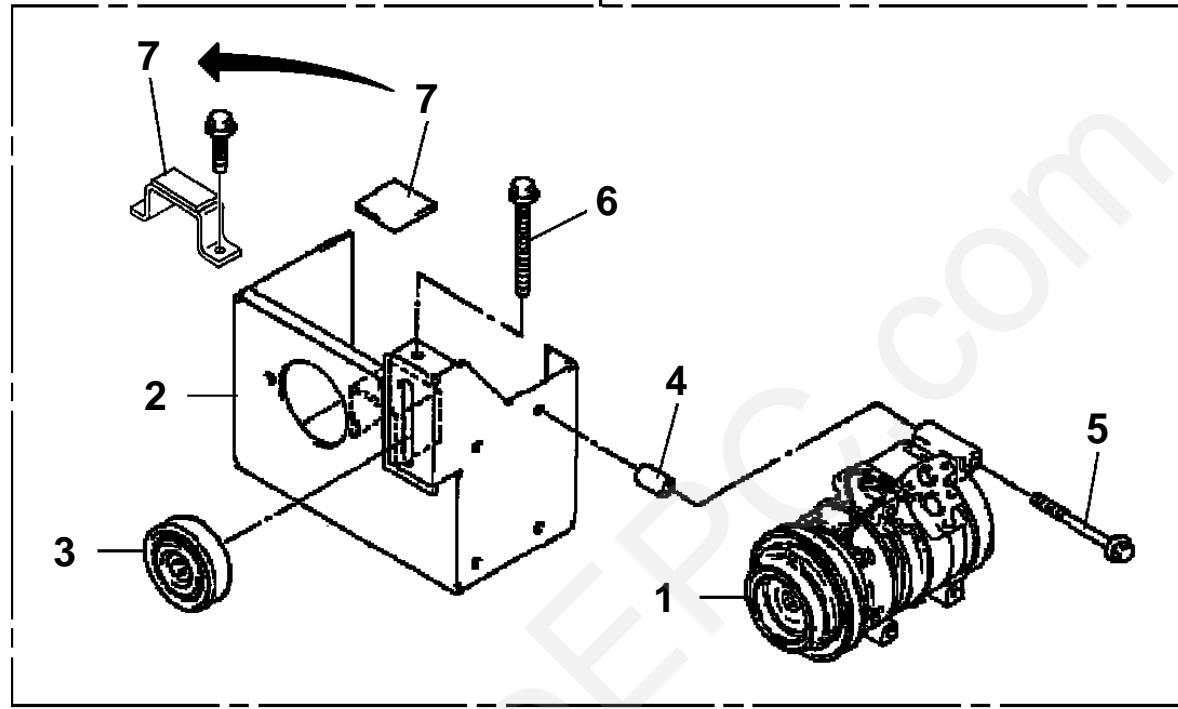
Pos No.	Parts No	Parts Name	Qty	Unit	Technical Data	Serial No (Start)	Serial No (End)	Remarks	Pages
1	36320535010	COOLER ASSY	1				FD0119		
	36320535011	COOLER ASSY	1			FD0120	FD0428		
	36320535830	COOLER ASSY	1			FD0429			
2	36320535020	BLOWER ASSY	1				FD0119		
	36320535021	BLOWER ASSY	1			FD0120			
3	36320417510	FILTER ASSY	1				FD0119		
	36320532070	FILTER	1			FD0120			
4	36320535030	SCREW,TAPPING	2						
5	36320396170	PACKING	1						
21	36320535040	CASE ASSY (UNIT)	1				FD0428		
	36320535840	CASE ASSY (UNIT)	1			FD0429			
22	36320535050	EVAPORATOR ASSY	1						
23	36320535060	THERMISTOR	1						
24	36320535070	CLAMP	1						
25	36320535080	VALVE (EXPANSION)	1				FD0119		
	36320535090	VALVE (EXPANSION)	1			FD0120			
26	36320535100	PIPE	1						
27	36320535110	BOLT	2						
28	36320535120	GROMMET	1						
29	36320535130	DOOR ASSY	1						
30	36320535140	DOOR ASSY	1						
31	36320535150	CASE ASSY (UNIT)	1						
32	36320535160	CASE (HEATER)	1				FD0428		
	36320535850	CASE (HEATER)	1			FD0429			
33	36320395760	SCREW,TAPPING	11						
34	36320535170	CORE (HEATER)	1				FD0119		
	36320535171	CORE (HEATER)	1			FD0120	FD0428		
	36320535860	CORE (HEATER)	1			FD0429			
35	36320535180	HOSE,WATER	1						
36	36320535190	VALVE (WATER)	1						
37	36320535200	HOSE,WATER	1						
38	36320535210	PIPE	1				FD0428		
	36320535870	PIPE	1			FD0429			
39	36320535220	CLAMP	1						
40	36320395890	SCREW	1						
41	36320395900	SCREW,TAPPING	13				FD0119		
	36320395900	SCREW,TAPPING	13			FD0120			
42	36320535230	LEVER	1						
43	36320535240	SCREW	3						
44	36320535250	LEVER	1						
45	36320535260	LEVER	1						
46	36320535270	BUSH	2						
47	36320367710	CLAMP	1						
48	36320535280	SHAFT	2						
49	36320535290	MOTOR,SERVO	1						
50	36320535300	BUSH	1						
51	36320535310	SCREW,TAPPING	4						
52	36320535320	RELAY	2						
53	36320535330	RELAY	2				FD0119		
	36320535340	RELAY	3			FD0120			
54	36320535350	BRACKET	1						
55	36320535360	BRACKET	1				FD0428		
	36320535880	BRACKET	1			FD0429			
56	33510037620	SCREW,TAPPING	1						
57	36320535370	BRACKET	1						
58	36320535030	SCREW,TAPPING	4						

GR-120N-1-00111 12T,X,WINCH(W/O FREE-FALL),JIB(PT)

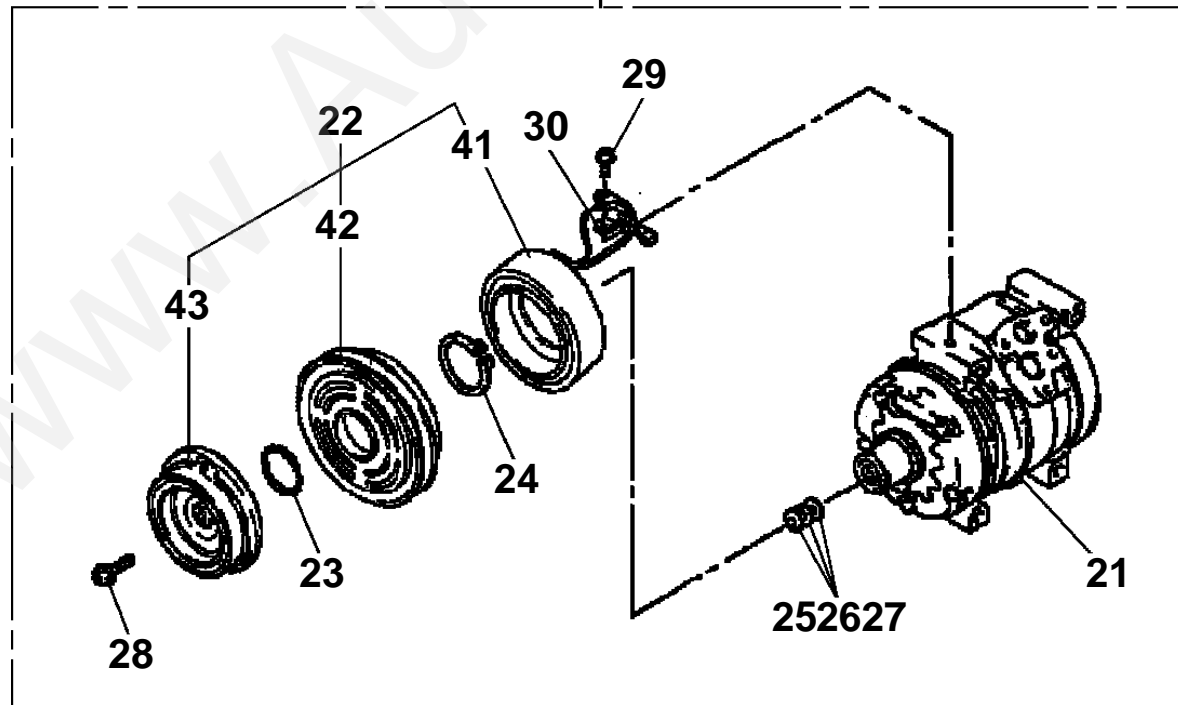
Pos No.	Parts No	Parts Name	Qty	Unit	Technical Data	Serial No (Start)	Serial No (End)	Remarks	Pages
59	36320535380	CLIP	4						
60	36320535390	RELAY	1				FD0119		
61	36320535400	SWITCH,PRESSURE	1				FD0428		
	36320535890	SWITCH,PRESSURE	1			FD0429			
62	36320535410	RELAY	1						
63	36320535420	HOLDER	1						
64	36320535430	BRACKET	1						
65	36320335380	BOLT (WITH WASHER)	1						
66	36320535440	PACKING	1						
67	36320535450	SCREW	1						
75	36320395180	O-RING	3				FD0119		
	36320395180	O-RING	3			FD0120	FD0428		
	36320395180	O-RING	3			FD0429			
84	36320395170	O-RING	1						
91	36320395950	O-RING	1						
101	36320535460	CASE	1						
102	36320535470	FLANGE	1						
104	36320396050	PACKING	1						
105	36320535480	MOTOR ASSY (FAN)	1						
106	36320535490	BRACKET (CASE)	1						
107	36320396100	BOLT (WITH WASHER)	3						
109	36320196130	PIPE	1						
110	36320396132	RESISTOR	1						
111	36320396140	SCREW,TAPPING	2						
112	36320535500	RELAY	1						
113	36320535510	PACKING	1						
200	36320532010	EVAPORATOR	1						

GR-120N-1-00111 12T,X,WINCH(W/O FREE-FALL),JIB(P.T)
PY1380057-01 COMPRESSOR

100

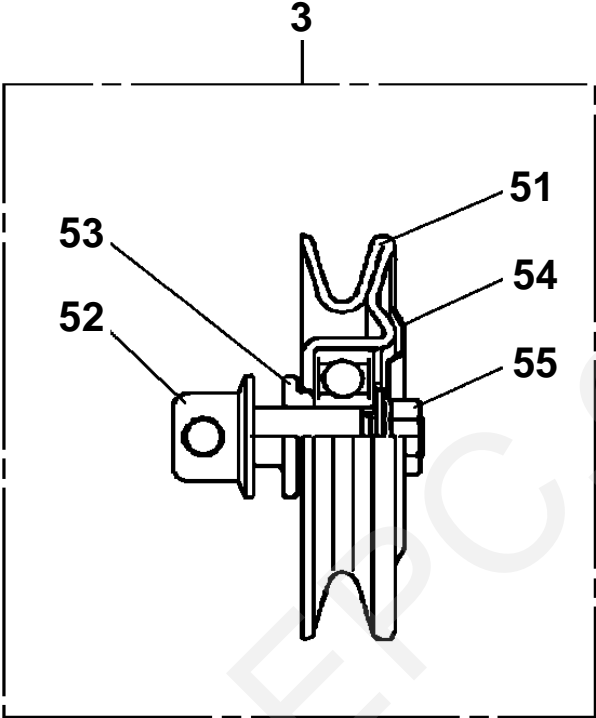


1



GR-120N-1-00111 12T,X,WINCH(W/O FREE-FALL),JIB(P.T)

PY1380057-01 COMPRESSOR

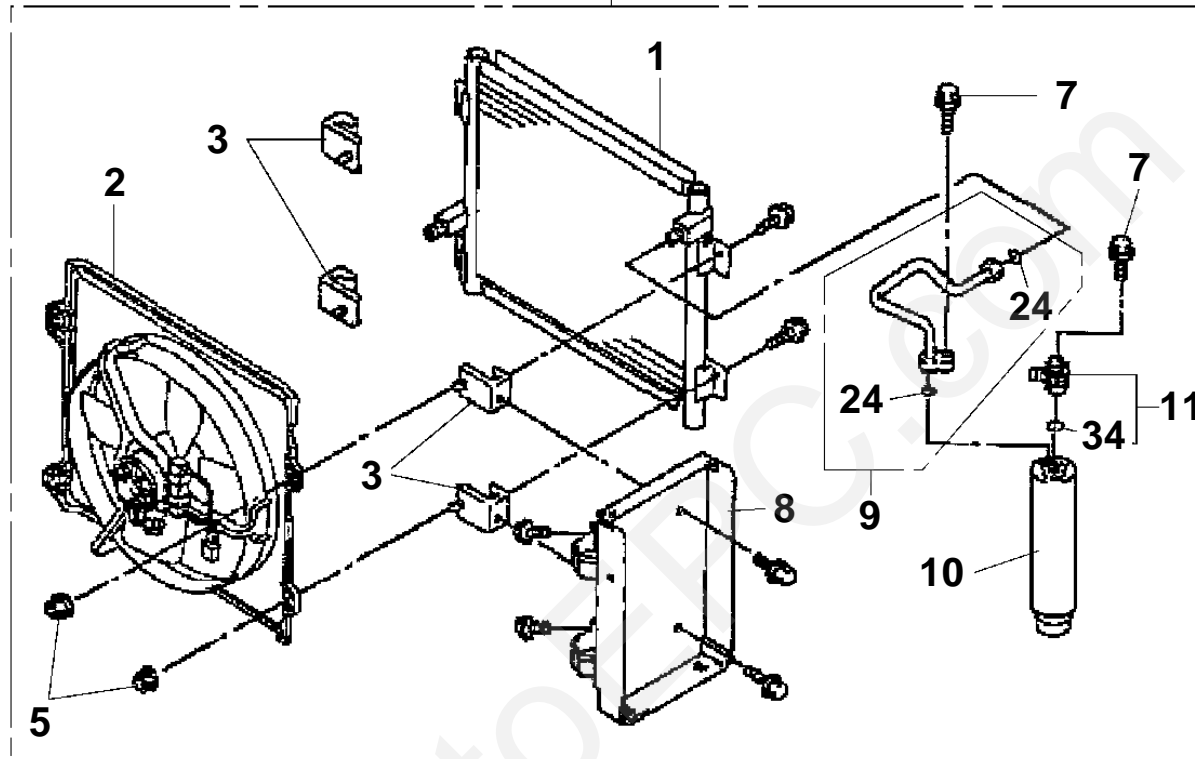


GR-120N-1-00111 12T,X,WINCH(W/O FREE-FALL),JIB(PT)

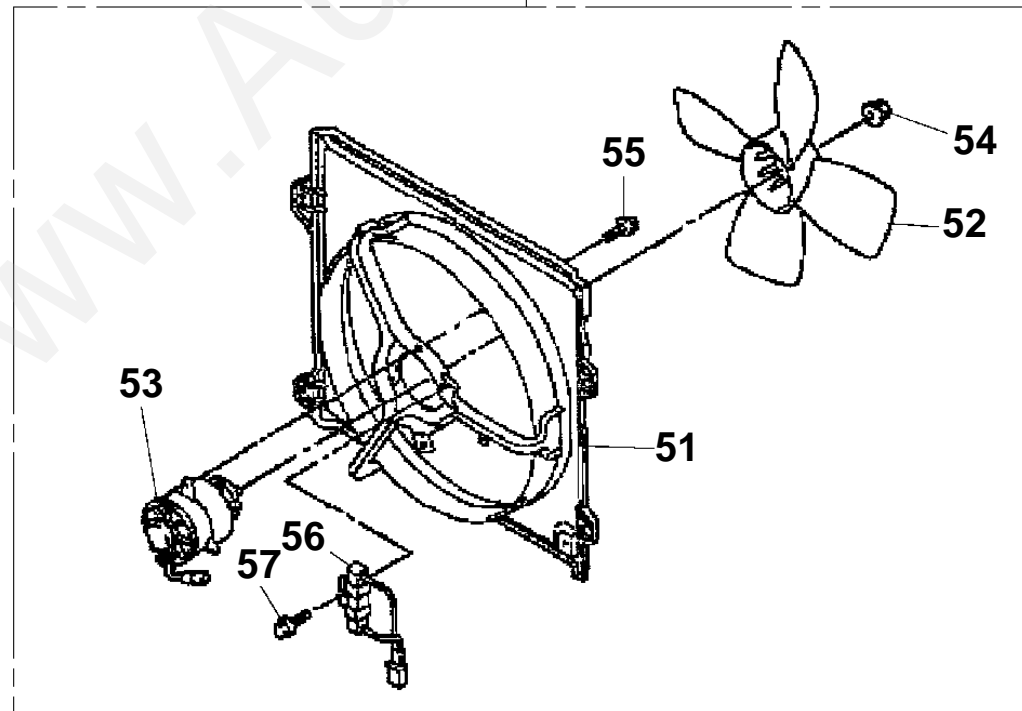
Pos No.	Parts No	Parts Name	Qty	Unit	Technical Data	Serial No (Start)	Serial No (End)	Remarks	Pages
1	36320535520	COMPRESSOR ASSY (WITH CLUTCH)	1						
2	36320535530	ATTACHMENT	1				FD0120		
	36320535540	ATTACHMENT	1			FD0121			
3	36320535550	PULLEY ASSY	1						
4	36320535560	COLLAR	4						
5	36320535570	BOLT	4						
6	36320535580	BOLT	1						
7	36320535590	PACKING	1				FD0120		
	36320535600	BRACKET	1			FD0121			
21	36320535610	COMPRESSOR ASSY	1						
22	36320535620	CLUTCH,MAGNET	1						
23	36320535650	RING,SNAP	1						
24	36320196280	RING,SNAP	1						
25	36320368090	WASHER	1						
26	36320368100	WASHER	1						
27	36320368110	WASHER	1						
28	36320368120	BOLT (WITH WASHER)	1						
29	36320196330	SCREW (WITH WASHER)	1						
30	36320368130	CLAMP	1						
41	36320368040	STATOR (MAGNET CLUTCH)	1						
42	36320535630	ROTOR	1						
43	36320535640	HUB	1						
51	36320535780	PULLEY	1						
52	36320535790	SHAFT	1						
53	36320535800	COLLAR	1						
54	36320535810	COVER (DUST)	1						
55	36320535820	NUT	1						
100	36320532020	COMPRESSOR	1						

GR-120N-1-00111 12T,X,WINCH(W/O FREE-FALL),JIB(P.T)
PY1380058-00 CONDENSER

100



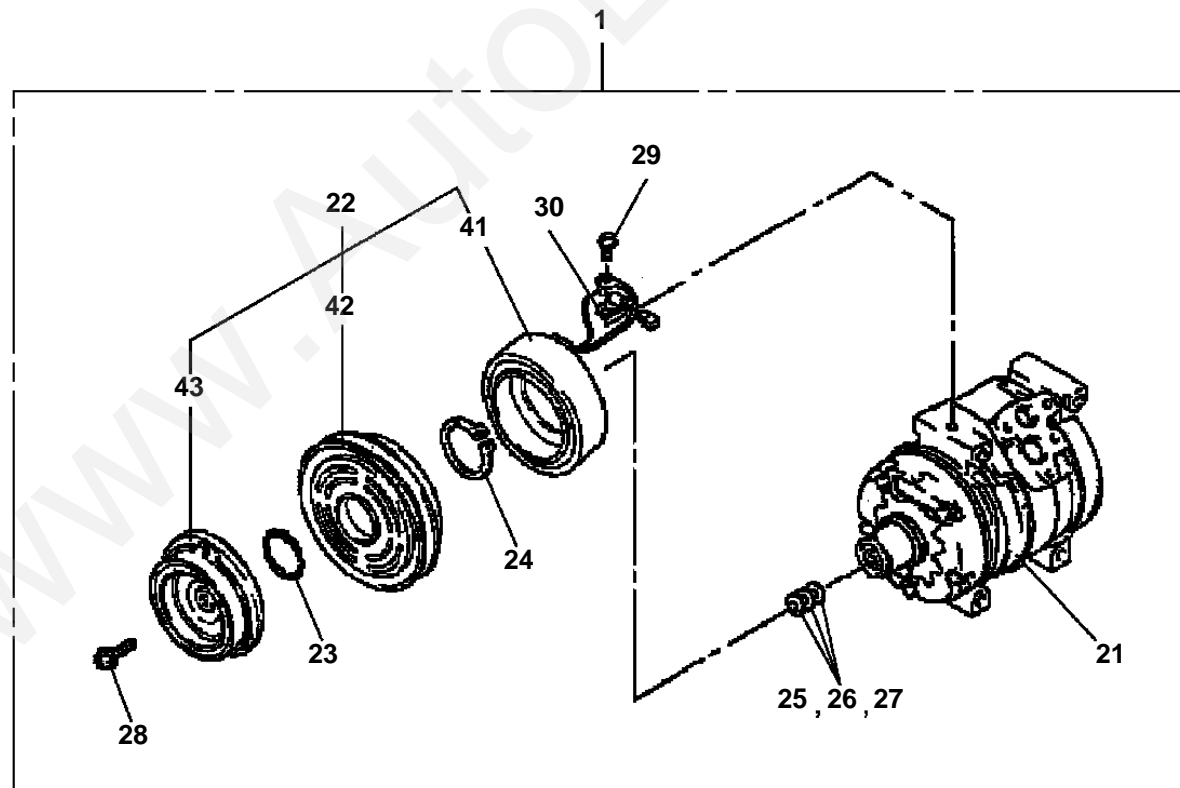
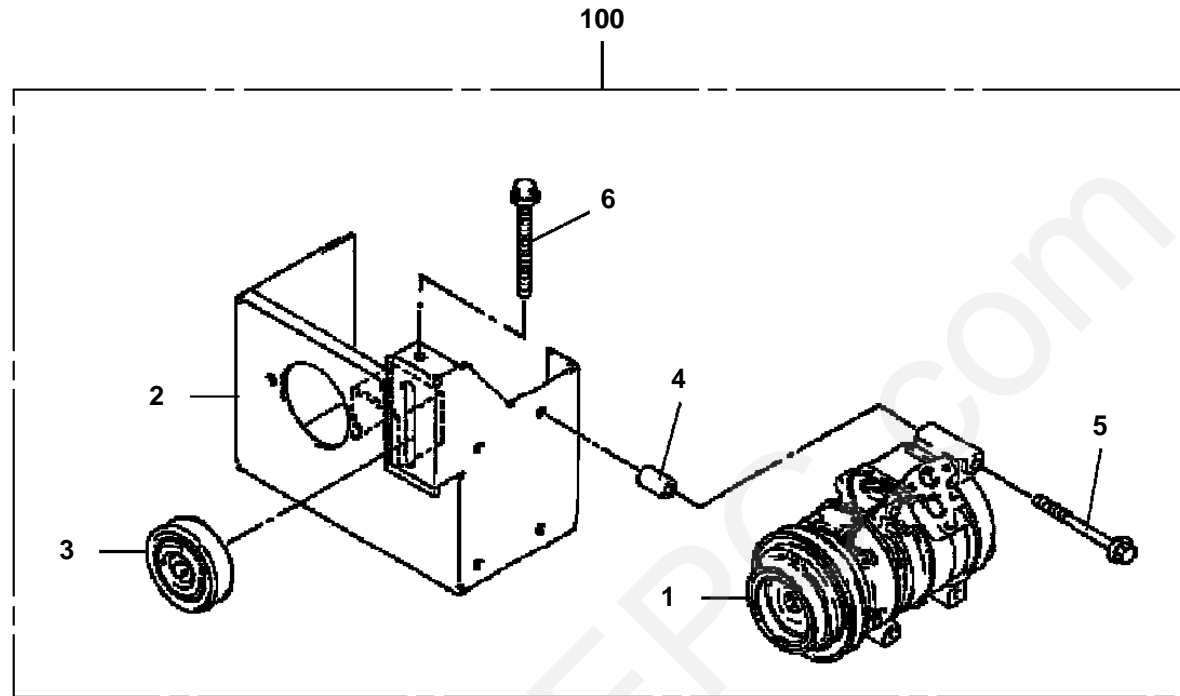
2



GR-120N-1-00111 12T,X,WINCH(W/O FREE-FALL),JIB(PT)

Pos No.	Parts No	Parts Name	Qty	Unit	Technical Data	Serial No (Start)	Serial No (End)	Remarks	Pages
1	36320535660	CORE (CONDENSER)	1				FD0119		
	36320535661	CORE (CONDENSER)	1			FD0120			
2	36320535670	BLOWER ASSY	1						
3	36320535680	BRACKET	4						
5	36320535690	NUT	4						
7	36320535700	BOLT	2						
8	36320535710	BRACKET	1						
9	36320535720	PIPE ASSY	1						
10	34510413120	TANK,RECEIVER	1						
11	36320395480	JOINT ASSY	1						
24	36320395170	O-RING	2						
34	36320395170	O-RING	1						
51	36320535730	SHROUD ASSY	1						
52	36320535740	FAN	1						
53	36320535750	MOTOR ASSY	1						
54	36320195570	NUT	1						
55	36320535760	BOLT	3						
56	36320535770	RESISTOR	1						
57	36320195470	BOLT (WITH WASHER)	1						
100	36320532030	CONDENSER	1						

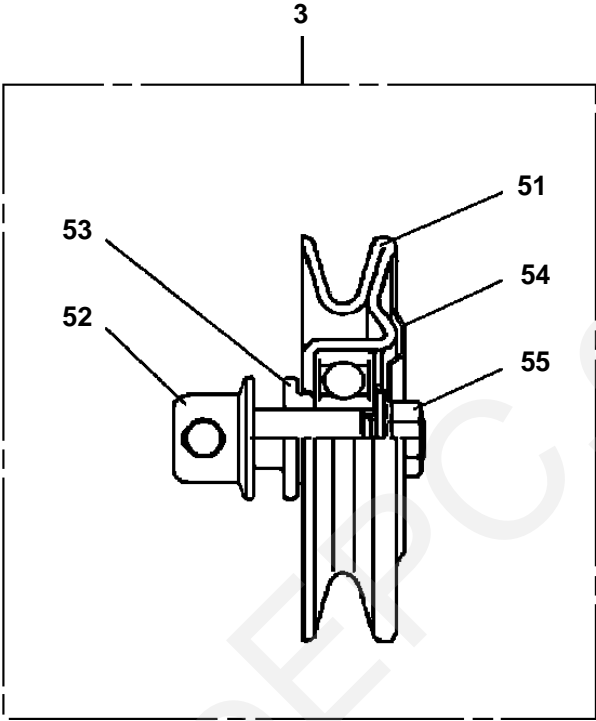
GR-120N-1-00111 12T,X,WINCH(W/O FREE-FALL),JIB(P.T)
PY1380063-02 COMPRESSOR



展開圖有
ILLUSTRATED BREAKDOWN NO.3

GR-120N-1-00111 12T,X,WINCH(W/O FREE-FALL),JIB(P.T)

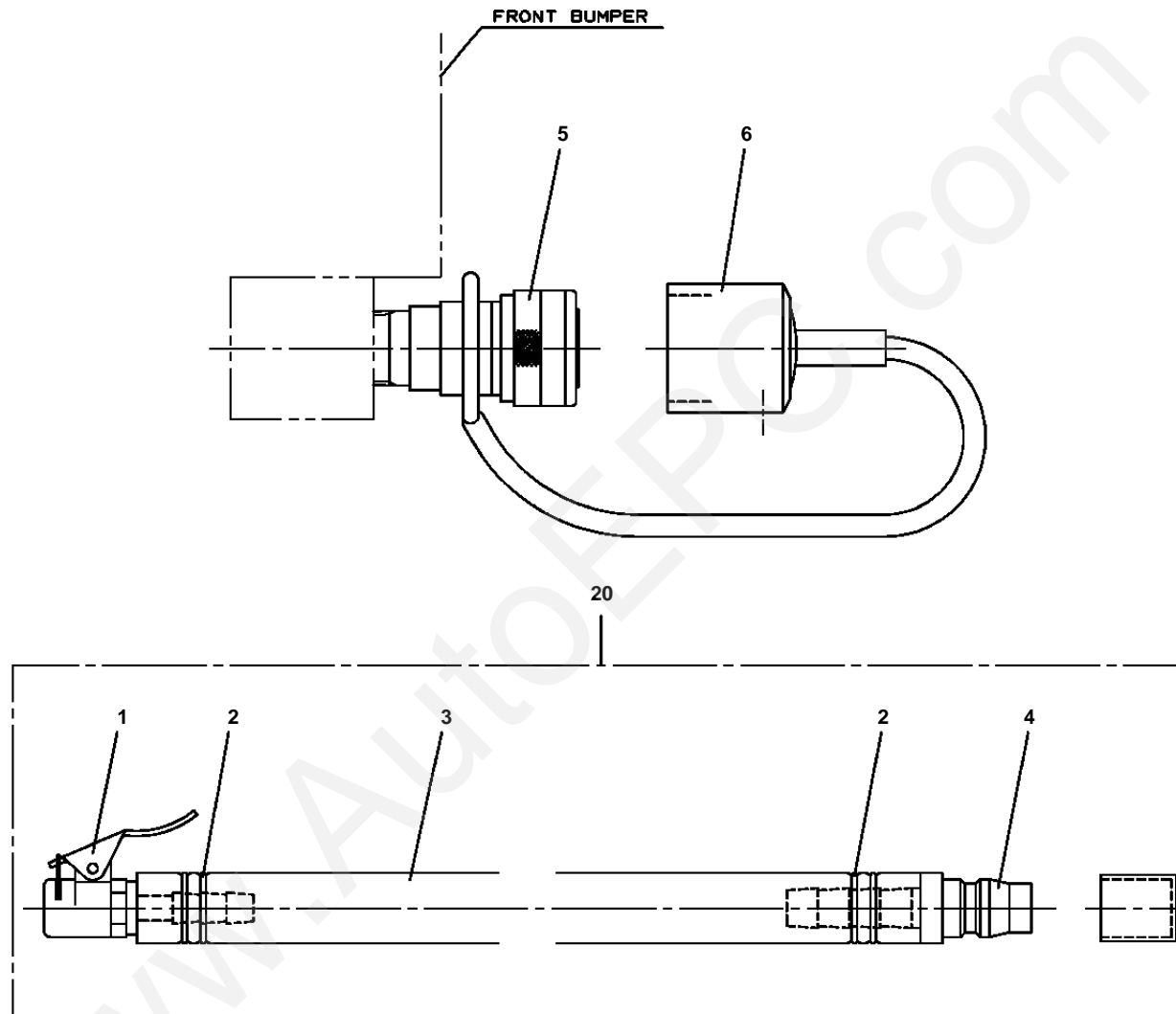
PY1380063-02 COMPRESSOR



GR-120N-1-00111 12T,X,WINCH(W/O FREE-FALL),JIB(PT)

Pos No.	Parts No	Parts Name	Qty	Unit	Technical Data	Serial No (Start)	Serial No (End)	Remarks	Pages
1	36320535520	COMPRESSOR ASSY (WITH CLUTCH)	1						
2	36320575010	ATTACHMENT	1						
3	36320535550	PULLEY ASSY	1						
4	36320535560	COLLAR	4						
5	36320535570	BOLT	4						
6	36320535580	BOLT	1						
21	36320535610	COMPRESSOR ASSY	1						
22	36320535620	CLUTCH,MAGNET	1						
23	36320535650	RING,SNAP	1						
24	36320196280	RING,SNAP	1						
25	36320368090	WASHER	1						
26	36320368100	WASHER	1						
27	36320368110	WASHER	1						
28	36320368120	BOLT (WITH WASHER)	1						
29	36320196330	SCREW (WITH WASHER)	1						
30	36320368130	CLAMP	1						
41	36320368040	STATOR (MAGNET CLUTCH)	1						
42	36320535630	ROTOR	1						
43	36320535640	HUB	1						
51	36320535780	PULLEY	1						
52	36320535790	SHAFT	1						
53	36320535800	COLLAR	1						
54	36320535810	COVER (DUST)	1						
55	36320535820	NUT	1						
100	36320572010	COMPRESSOR	1						

GR-120N-1-00111 12T,X,WINCH(W/O FREE-FALL),JIB(P
PY1430006-01 INFLATOR,AIR



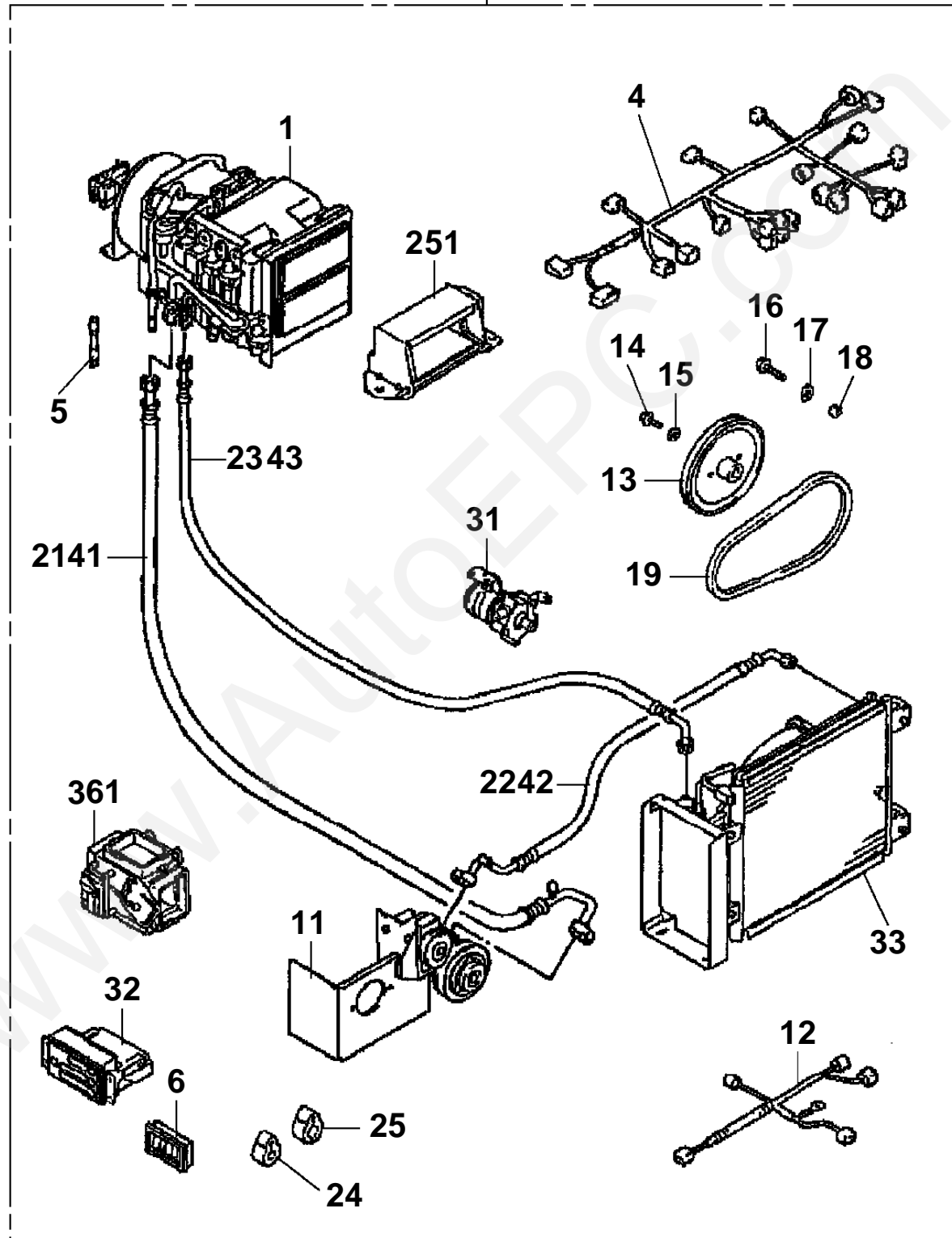
GR-120N-1-00111 12T,X,WINCH(W/O FREE-FALL),JIB(PT)

Pos No.	Parts No	Parts Name	Qty	Unit	Technical Data	Serial No (Start)	Serial No (End)	Remarks	Pages
1	37000913700	JOINT	1						
2	91801300160	CLIP	2		D=14-16				
3	37002448090	HOSE,AIR	1		L=6455				
4	80426026204	JOINT,SELF SEALING	1						
5	80426016106	JOINT,SELF SEALING	1						
6	80457030800	CAP (FOR MALE)	1						
20	34731068010	HOSE	1						

www.AutoEPC.com

GR-120N-1-00111 12T,X,WINCH(W/O FREE-FALL),JIB(P
PY2270030-00 AIR CONDITIONER

100

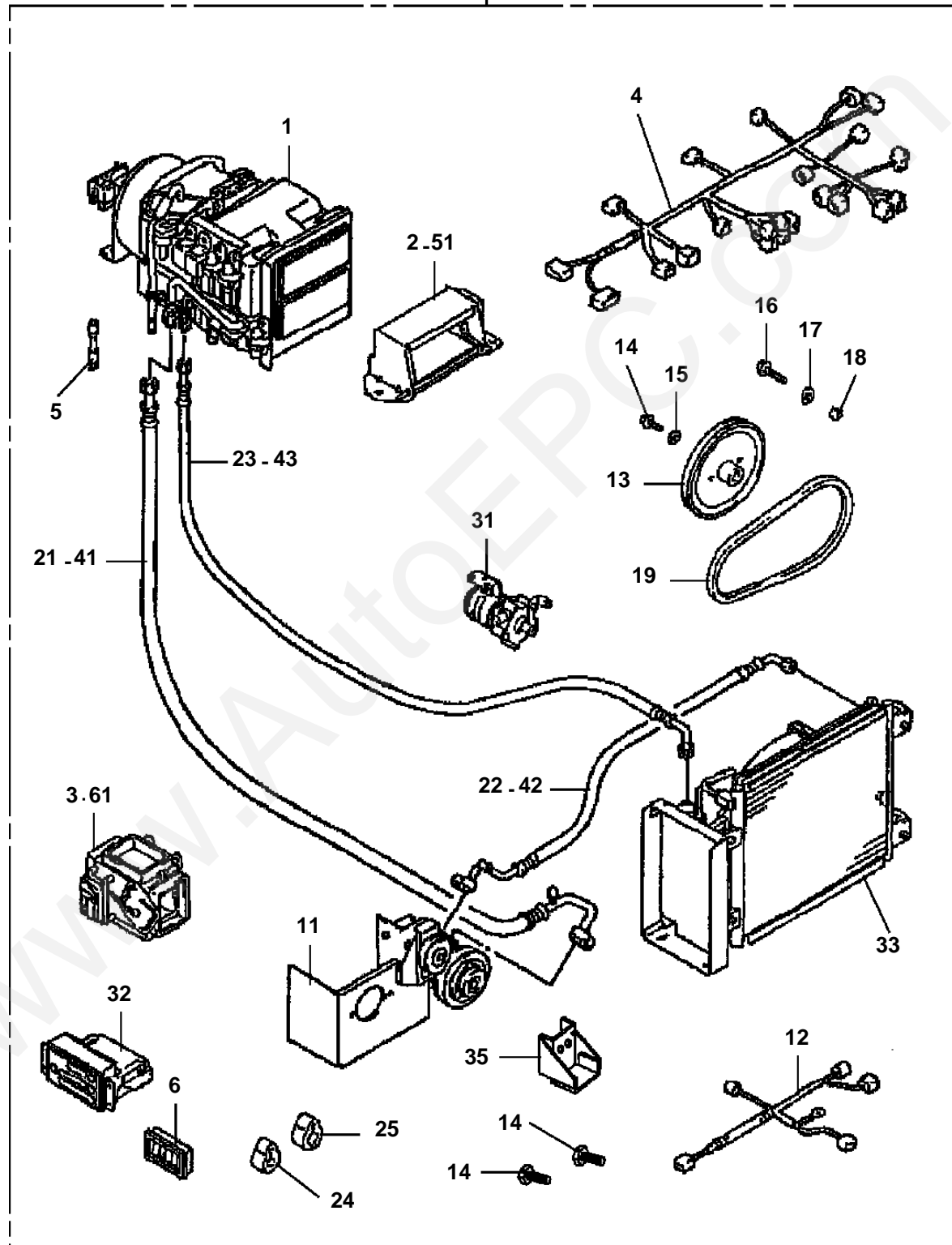


GR-120N-1-00111 12T,X,WINCH(W/O FREE-FALL),JIB(PT)

Pos No.	Parts No	Parts Name	Qty	Unit	Technical Data	Serial No (Start)	Serial No (End)	Remarks	Pages
1	36320532010	EVAPORATOR	1						000352
2	36320392061	BOX ASSY (IN/OUT AIR SELECT)	1						
3	36320412070	DISTRIBUTOR ASSY (AIR)	1						
4	36320532100	HARNESS (EVAPORATER)	1						
5	36320392051	HOSE, DRAIN	2		L=100				
6	34476723250	GRILL, AIR OUTLET	3						
11	36320532020	COMPRESSOR	1						000353
12	36320532200	HARNESS (COMPRESSOR)	1						
13	36320392240	PULLEY	1						
14	36320202320	BOLT	1		M8X20				
15	36320202300	WASHER, PLAIN	1						
16	36320202330	BOLT	2		M10X35				
17	36320202340	WASHER, PLAIN	2						
18	36320202350	NUT	2		M10				
19	36320532300	BELT, V	1						
21	36320532050	HOSE, SUCTION	1						
22	36320532060	HOSE, DISCHARGE	1						
23	36320532040	HOSE (LIQUID)	1						
24	34471145220	INSULATOR	4		D=20				
25	34471145230	INSULATOR	4		D=22.5				
31	36320392081	PUMP, WATER	1						000360
32	36320412090	SWITCH ASSY	1						
33	36320532030	CONDENSER	1						000354
41	36320395180	O-RING	2						
42	36320395650	O-RING	2						
43	36320395170	O-RING	2						
61	36320415110	MOTOR, SERVO	1						
100	36320530000	AIR CONDITIONER	1						

GR-120N-1-00111 12T,X,WINCH(W/O FREE-FALL),JIB(P
PY2270035-01 AIR CONDITIONER

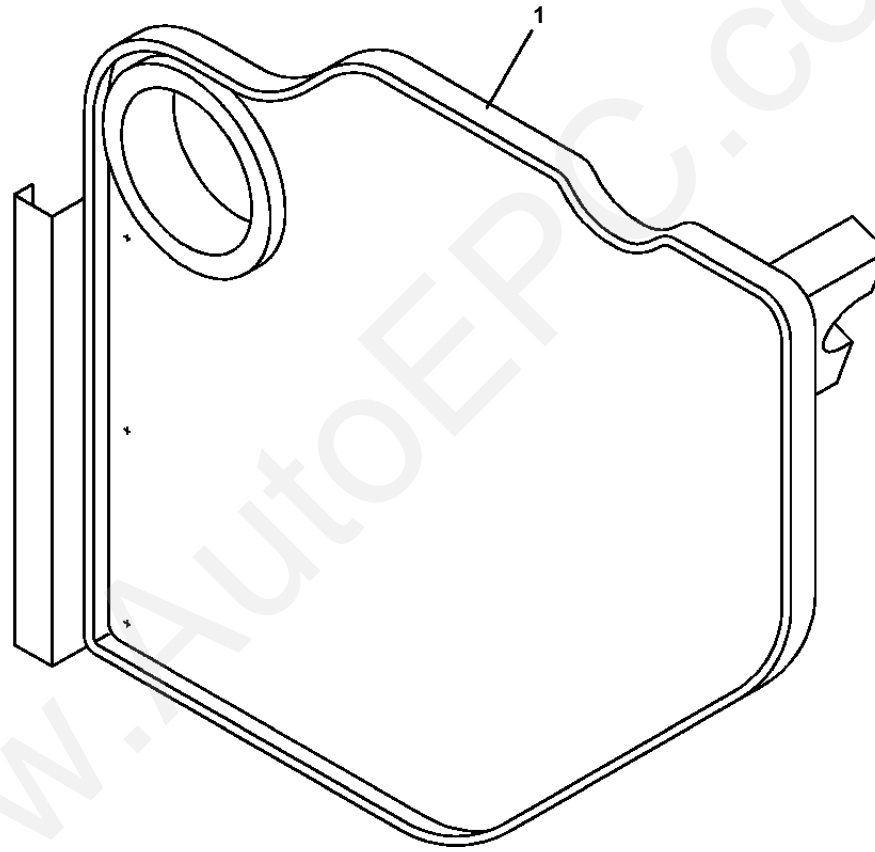
100



GR-120N-1-00111 12T,X,WINCH(W/O FREE-FALL),JIB(PT)

Pos No.	Parts No	Parts Name	Qty	Unit	Technical Data	Serial No (Start)	Serial No (End)	Remarks	Pages
1	36320532010	EVAPORATOR	1						000352
2	36320392061	BOX ASSY (IN/OUT AIR SELECT)	1						
3	36320412070	DISTRIBUTOR ASSY (AIR)	1						
4	36320532100	HARNESS (EVAPORATER)	1						
5	36320392051	HOSE, DRAIN	2		L=100				
6	34476723250	GRILL, AIR OUTLET	3						
11	36320572010	COMPRESSOR	1						000355
12	36320532200	HARNESS (COMPRESSOR)	1						
13	36320392240	PULLEY	1						
14	36320572030	BOLT (PULLEY)	3						
15	36320202300	WASHER, PLAIN	1						
16	36320202330	BOLT	2		M10X35				
17	36320202340	WASHER, PLAIN	2						
18	36320202350	NUT	2		M10				
19	36320532300	BELT, V	1						
21	36320532050	HOSE, SUCTION	1						
22	36320532060	HOSE, DISCHARGE	1						
23	36320532040	HOSE (LIQUID)	1						
24	34471145220	INSULATOR	4		D=20				
25	36320192270	INSULATOR	4						
31	36320392081	PUMP, WATER	1						000360
32	36320412090	SWITCH ASSY	1						
33	36320532030	CONDENSER	1						000354
35	36320572020	SUPPORT	1						
41	36320395180	O-RING	2						
42	36320395650	O-RING	2						
43	36320395170	O-RING	2						
61	36320415110	MOTOR, SERVO	1						
100	36320620000	AIR CONDITIONER	1						

GR-120N-1-00111 12T,X,WINCH(W/O FREE-FALL),JIB(P
PY2330004-00 TABLE,LUNCH

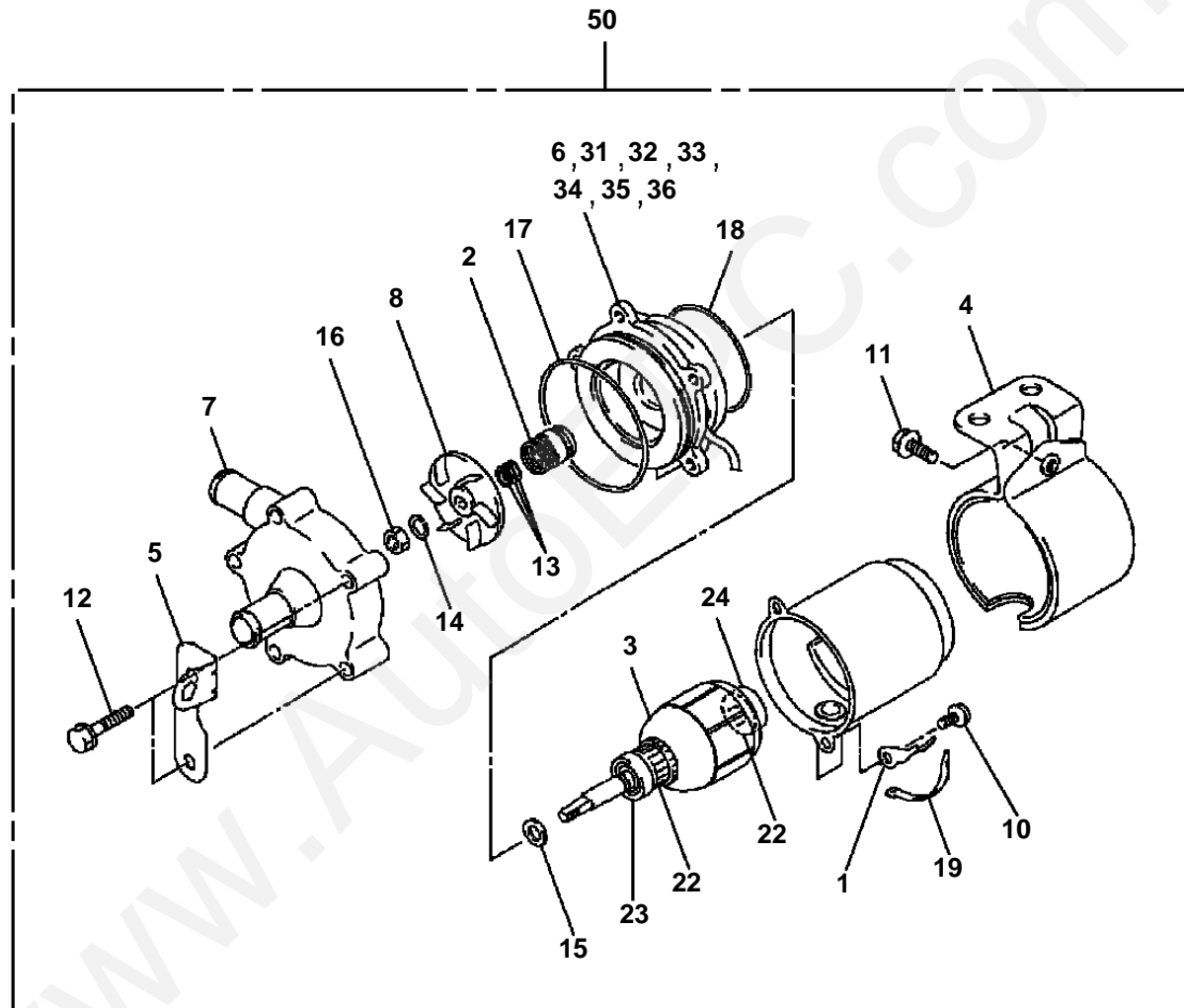


GR-120N-1-00111 12T,X,WINCH(W/O FREE-FALL),JIB(PT)

Pos No.	Parts No	Parts Name	Qty	Unit	Technical Data	Serial No (Start)	Serial No (End)	Remarks	Pages
1	34477670000	TABLE,LUNCH	1						

www.AutoEPC.com

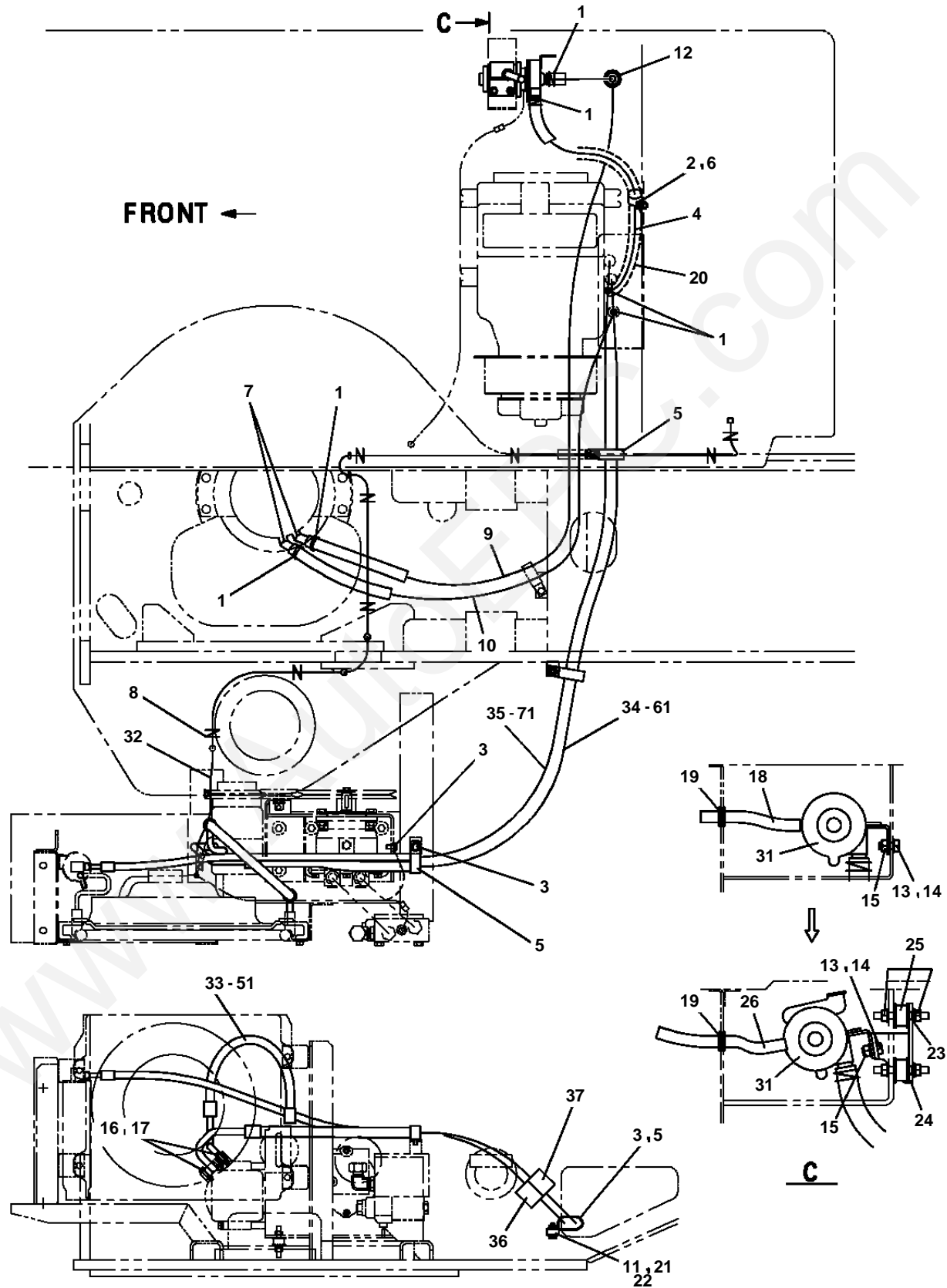
GR-120N-1-00111 12T,X,WINCH(W/O FREE-FALL),JIB(PT)
PY2360001-01 PUMP,WATER



GR-120N-1-00111 12T,X,WINCH(W/O FREE-FALL),JIB(PT)

Pos No.	Parts No	Parts Name	Qty	Unit	Technical Data	Serial No (Start)	Serial No (End)	Remarks	Pages
1	36320395200	CLIP	1						
2	36320396180	SEAL (MECHANICAL)	1						
3	36320395220	ARMATURE ASSY	1						
4	36320395260	HOLDER ASSY (MOTOR)	1						
5	36320395270	BRACKET	1						
6	36320395280	BODY ASSY	1						
7	36320395350	CASING,PUMP	1						
8	36320395360	IMPELLER	1						
10	36320395370	SCREW (WITH WASHER)	2						
11	36320395380	BOLT (WITH WASHER)	3		M6X30				
12	36320395390	BOLT (WITH WASHER)	1		M6X20				
13	36320395400	WASHER	3						
14	36320395410	WASHER,SPRING	1						
15	36320395420	WASHER (RUBBER)	1						
16	36320395430	NUT,HEXAGON	1		M6				
17	36320395440	O-RING	1						
18	36320395450	O-RING	1						
19	36320395460	BAND	1						
22	36320395230	RING	2						
23	36320395030	BEARING,BALL	1						
24	36320395250	BEARING,BALL	1						
31	36320395290	BRUSH (CARBON)	2						
32	36320395300	HOLDER,BRUSH	1						
33	36320395310	SPRING	2						
34	36320395320	GROMMET	1						
35	36320395330	TUBE	1						
36	36320395340	WIRE ASSY	1						
50	36320392081	PUMP,WATER	1						

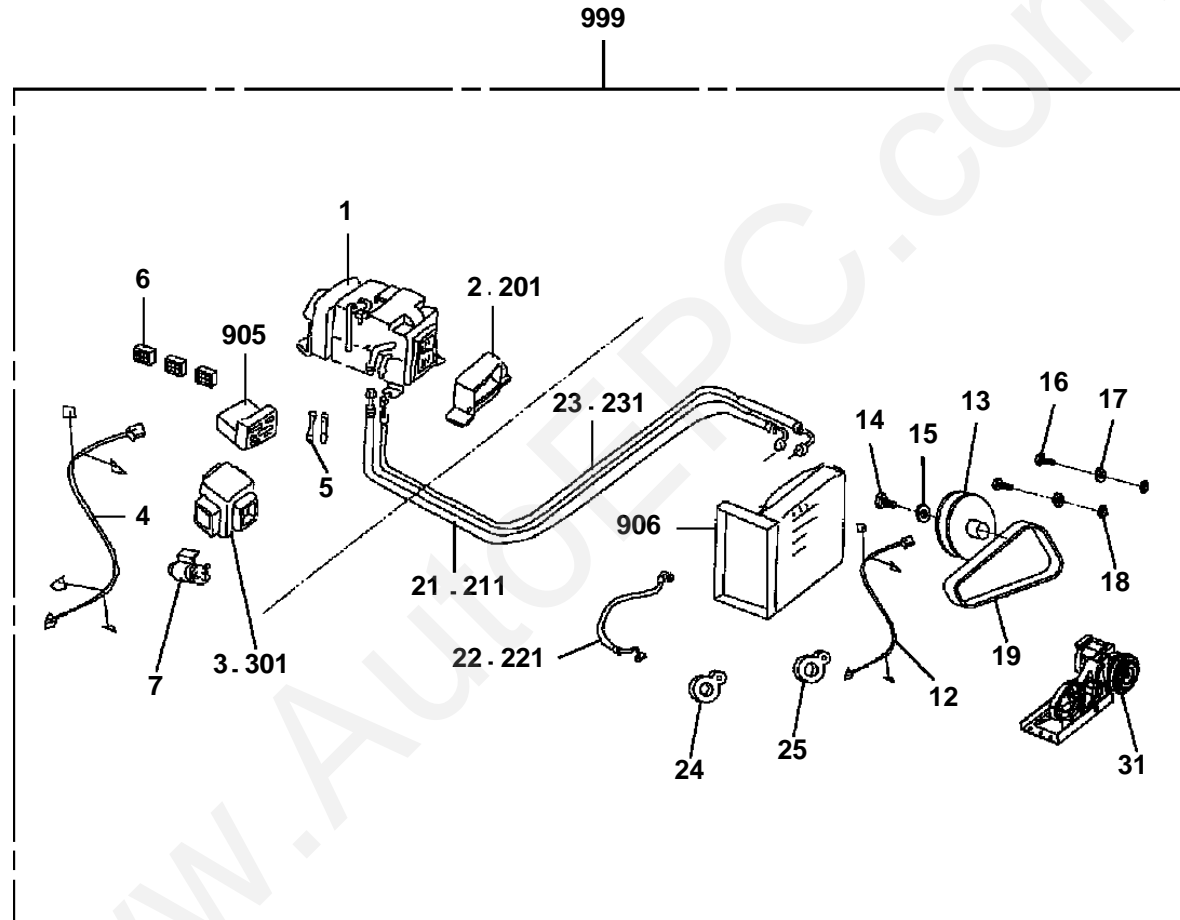
GR-120N-1-00111 12T,X,WINCH(W/O FREE-FALL),JIB(P.T)
PY5140001-01 AIR CONDITIONER ASSY (MOUNT)



GR-120N-1-00111 12T,X,WINCH(W/O FREE-FALL),JIB(PT)

Pos No.	Parts No	Parts Name	Qty	Unit	Technical Data	Serial No (Start)	Serial No (End)	Remarks	Pages
1	91803600250	CLIP	6		D=18-25		FD1231		
	91801630024	CLIP	6		22.6-26.0	FD1232			
2	82100002016	CLAMP	1		WR25				
3	90186208014	BOLT,FLANGE	3		M8X14				
4	37002513900	HOSE (FOR CAR HEATER)	1		L=700				
5	82100002042	CLAMP	3		WE20				
6	99172108016	BOLT,TAPPING	1		M8X16				
7	37000925270	JOINT	2				FD1231		
	37000925271	JOINT	2		45,R3/8-17	FD1232			
8	91810132530	FASTENER	8						
9	37002512010	HOSE (FOR CAR HEATER)	1		L=2000				
10	37002511940	HOSE (FOR CAR HEATER)	1		L=1320				
11	37000511640	PLATE	1						
12	82100001019	GROMMET	1						
13	90101208018	BOLT	2		M8X18				
14	90302040801	WASHER,SPRING	2		8				
15	90201200800	NUT	2		M8				
16	90101206030	BOLT	2		M6X30		FD0642		
	90101506030	BOLT	2		M6X30	FD0643			
17	90302040601	WASHER,SPRING	2		6				
18	* 89630801000	HOSE,VINYL	1		12X14,1M		FD1915	See actual machine.	
19	82400000218	GROMMET	1						
20	82100001413	TUBE,SPIRAL	1	M	SE-15BK				
21	90186208025	BOLT,FLANGE	1		M8X25				
22	90280200800	NUT,FLANGE	1		M8				
23	90303070801	WASHER,PLAIN	3		8	FD1916			
24	34511153100	SUPPORT	1			FD1916			
25	34471141300	CUSHION	3			FD1916			
26	89650101000	HOSE,VINYL (BLACK)	1		12X14,1M	FD1916			
31	36320392081	PUMP,WATER	1						000360
32	36320532200	HARNESS (COMPRESSOR)	1						
33	36320532060	HOSE,DISCHARGE	1						
34	36320532050	HOSE,SUCTION	1						
35	36320532040	HOSE (LIQUID)	1						
36	34471145220	INSULATOR	1		D=20				
37	36320192270	INSULATOR	1						
51	36320395650	O-RING	2						
61	36320395180	O-RING	2						
71	36320395170	O-RING	2						

GR-120N-1-00111 12T,X,WINCH(W/O FREE-FALL),JIB(P
PY5140002-01 AIR CONDITIONER ASSY



GR-120N-1-00111 12T,X,WINCH(W/O FREE-FALL),JIB(PT)

Pos No.	Parts No	Parts Name	Qty	Unit	Technical Data	Serial No (Start)	Serial No (End)	Remarks	Pages
1	36320532010	EVAPORATOR	1						000352
2	36320392061	BOX ASSY (IN/OUT AIR SELECT)	1						
3	36320412070	DISTRIBUTOR ASSY (AIR)	1						
4	36320532100	HARNES (EVAPORATER)	1						
5	36320392051	HOSE, DRAIN	2		L=100				
6	34476723250	GRILL, AIR OUTLET	3						
7	36320392081	PUMP, WATER	1						000360
12	36320532200	HARNES (COMPRESSOR)	1						
13	36320392240	PULLEY	1						
14	36320572030	BOLT (PULLEY)	1						
15	36320202300	WASHER, PLAIN	1						
16	36320732200	BOLT (MOTOR)	2		M10X45				
17	36320202340	WASHER, PLAIN	2						
18	36320202350	NUT	2		M10				
19	36320732100	BELT	1						
21	36320532050	HOSE, SUCTION	1						
22	36320532060	HOSE, DISCHARGE	1						
23	36320532040	HOSE (LIQUID)	1						
24	34471145220	INSULATOR	4		D=20				
25	36320192270	INSULATOR	4						
31	36320732010	COMPRESSOR ASSY	1				FD2135		000050
	36320732011	COMPRESSOR ASSY	1			FD2136			000051
211	36320395180	O-RING	2						
221	36320395650	O-RING	2						
231	36320395170	O-RING	2						
301	36320415110	MOTOR, SERVO	1						
905	36320412090	SWITCH ASSY	1						
906	36320532030	CONDENSER	1						000354
999	36320730000	AIR CONDITIONER ASSY	1						

GR-120N-1-00111 12T,X,WINCH(W/O FREE-FALL),JIB(PT)
PZ0000000-00 LAMP ASSY

販売部品 検討中につき、イラストはありません。

Parts for sale : Under consideration now.
Therefore not illustrated.

www.AutoEPC.com

GR-120N-1-00111 12T,X,WINCH(W/O FREE-FALL),JIB(PT)

Pos No.	Parts No	Parts Name	Qty	Unit	Technical Data	Serial No (Start)	Serial No (End)	Remarks	Pages
100	34495170100	LAMP ASSY	1						

www.AutoEPC.com

GR-120N-1-00111 12T,X,WINCH(W/O FREE-FALL),JIB(PT)
PZ0000000-00 LAMP ASSY

販売部品 検討中につき、イラストはありません。

Parts for sale : Under consideration now.
Therefore not illustrated.

www.AutoEPC.com

GR-120N-1-00111 12T,X,WINCH(W/O FREE-FALL),JIB(PT)

Pos No.	Parts No	Parts Name	Qty	Unit	Technical Data	Serial No (Start)	Serial No (End)	Remarks	Pages
100	34495170101	LAMP ASSY	1						

www.AutoEPC.com

GR-120N-1-00111 12T,X,WINCH(W/O FREE-FALL),JIB(PT)
PZ0000000-00 LAMP ASSY

販売部品 検討中につき、イラストはありません。

Parts for sale : Under consideration now.
Therefore not illustrated.

www.AutoEPC.com

GR-120N-1-00111 12T,X,WINCH(W/O FREE-FALL),JIB(PT)

Pos No.	Parts No	Parts Name	Qty	Unit	Technical Data	Serial No (Start)	Serial No (End)	Remarks	Pages
100	34495170102	LAMP ASSY	1						

www.AutoEPC.com

GR-120N-1-00111 12T,X,WINCH(W/O FREE-FALL),JIB(PT)
PZ0000000-00 DETECTOR ASSY,LENGTH (BOOM)

販売部品 検討中につき、イラストはありません。

Parts for sale : Under consideration now.
Therefore not illustrated.

www.AutoEPC.com

GR-120N-1-00111 12T,X,WINCH(W/O FREE-FALL),JIB(PT)

Pos No.	Parts No	Parts Name	Qty	Unit	Technical Data	Serial No (Start)	Serial No (End)	Remarks	Pages
1	36131235010	PLATE (BASE)	1						
2	36131815010	COVER	1						
3	36132335010	DRUM ASSY	1						
4	36130515020	RING ASSY (CONTACT)	1						
5	33370025170	CONTACTOR ASSY (70)	1						
6	32360005060	CONTACTOR ASSY	1						
7	36132215020	CASE (BEARING)	2						
11	36132215030	REDUCER	1						
12	36130045090	CLIP (NYLON)	2						
13	36130045050	GEAR	2						
14	36132215040	BRACKET	1						
15	36130945010	POTENTIOMETER	1						
16	36131905020	SPRING	1						
17	36131455040	COVER	1						
18	32360005150	CLIP (NYLON)	1						
19	36131455070	SUPPORT	1						
20	36130235100	CLAMP (CORD)	2						
21	36130015080	GUIDE (CORD)	1						
22	36131455080	COLLAR	3						
23	36130045110	PACKING	1						
24	36131455050	PACKING	1						
25	32360005220	PACKING	2						
26	82114102020	CONNECTOR	1						
27	82114101020	CONNECTOR (2P,MALE)	1						
28	36131935020	LOCK (CORD)	1						
33	36130335030	WASHER	1						
44	36132215050	STOPPER	12						
45	36161385020	CORD	23	M					
46	36132265010	CABLE ASSY (WITH CONNECTOR)	1						
47	82121102020	HOLDER	2						
48	82111101510	TERMINAL	2						
49	82111101010	TERMINAL	2						
50	36131455060	DETECTOR,ANGLE	1						
51	82121101085	PLUG (AVS0.85)	4						
52	36131135060	COLLAR	1						
100	36132260001	DETECTOR ASSY,LENGTH (BOOM)	1						